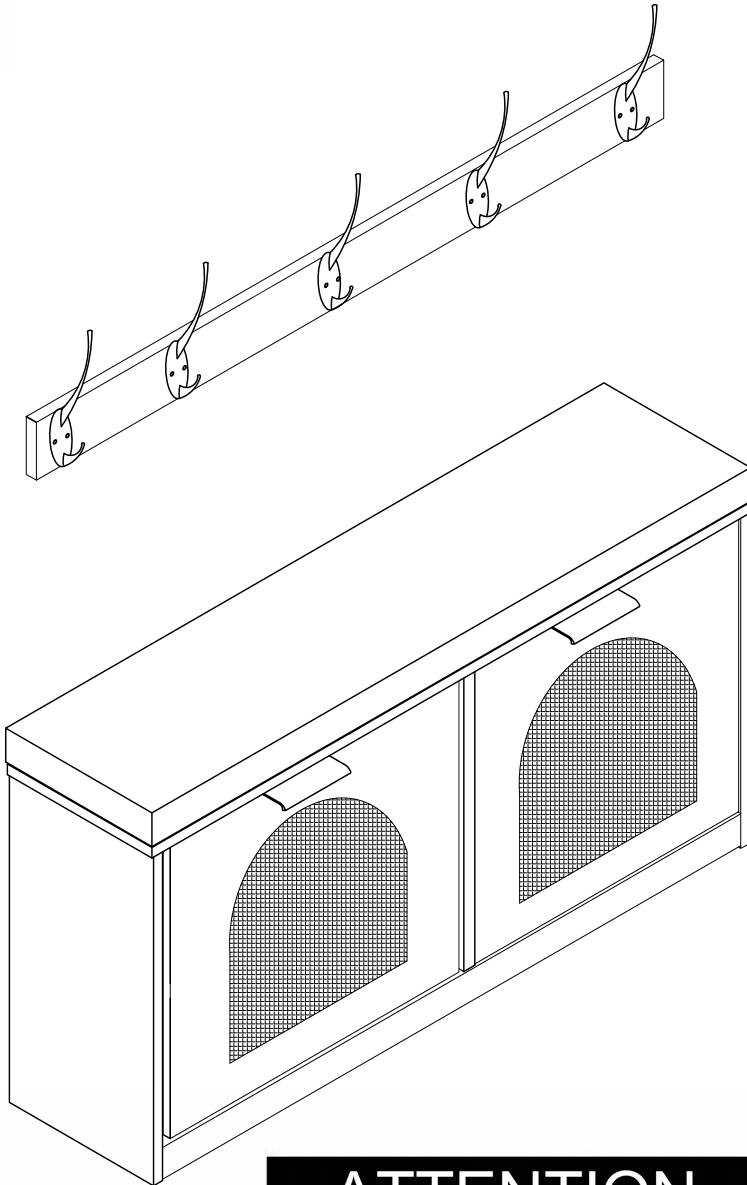


ASSEMBLY INSTRUCTIONS



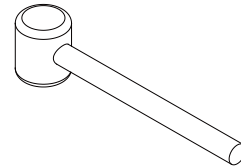
ATTENTION

Prior to assembly, please check and count all parts and hardware regarding to the list on page 4-5 of the instruction. If there is any part missing or damaged, please send us messages with the part name and number or send us pictures, we will send you the replacement asap.

If you have any questions about the product or assembly, please kindly contact us at anytime, we will solve your problem asap.

ASSEMBLY TIPS

1. Please follow each step in the manual to ensure the proper assembly of this product.
2. Assemble the product in a spacious space, and on a soft, clean surface to avoid damage and scratches.
3. 2 people are recommended for ease in the assembly of this product.
4. Ensure all parts and hardware are available before assembly, if you find any part is damaged or missing, please email us
5. You will use the following tools: a Phillips head screwdriver, a rubber hammer

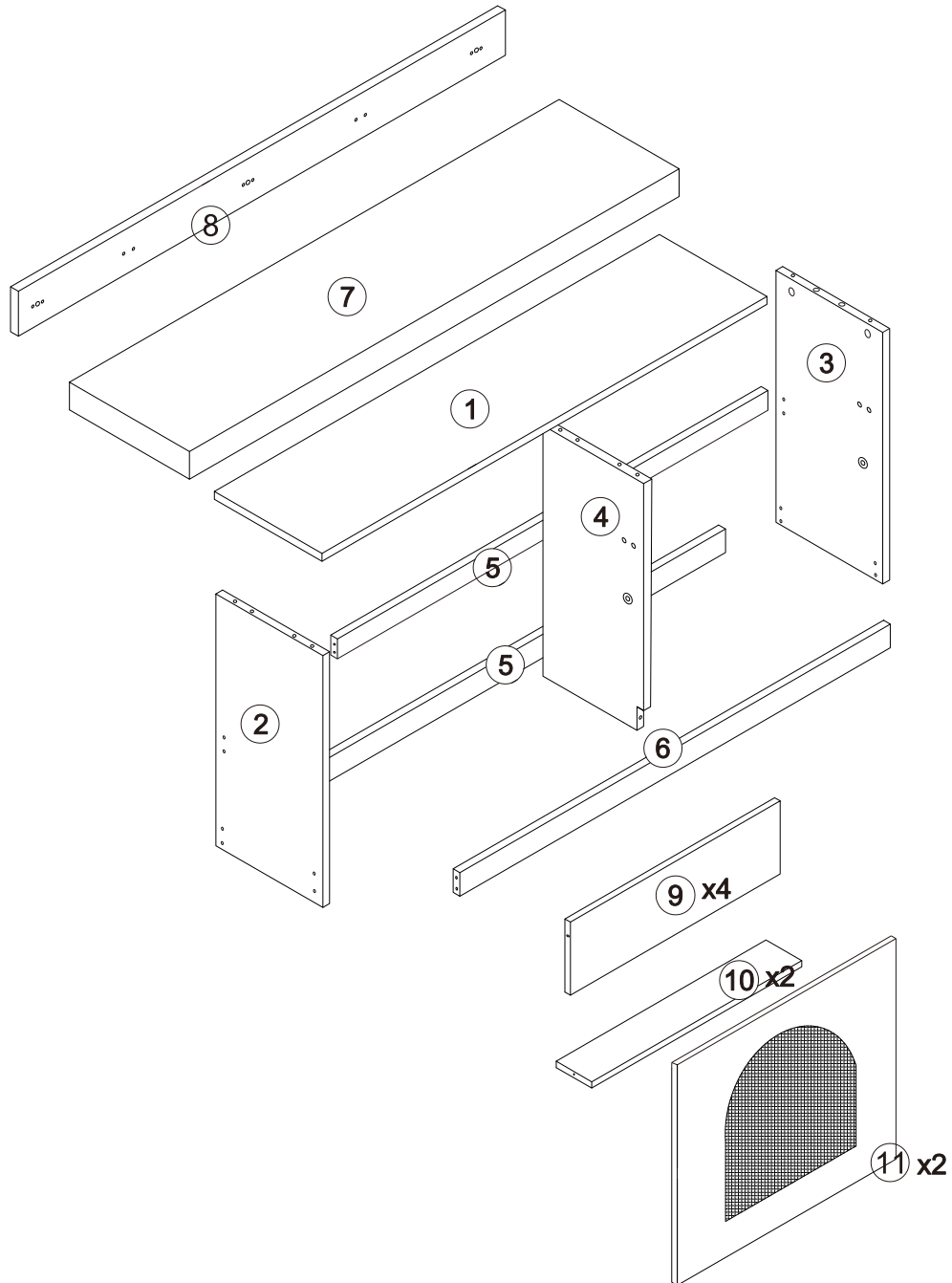


6. The wood dowels can be tapped in lightly with a hammer.
7. We don't recommend using the electric screwdriver, if you use the power screwdriver to tighten the screws, please be slow down, and stop if the screw is already tightened, excessive screwing may damage the screw and product surface.

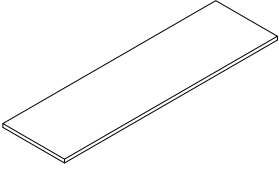
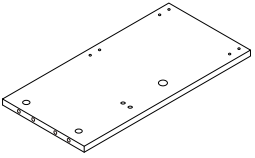
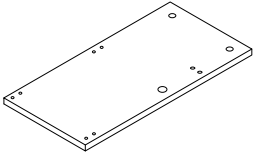
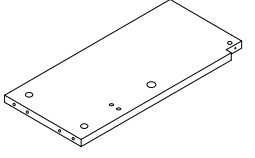
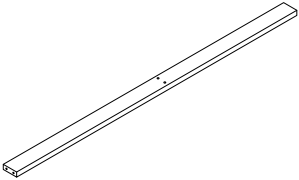
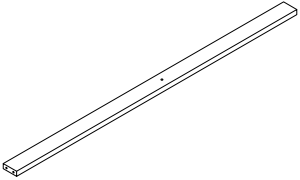
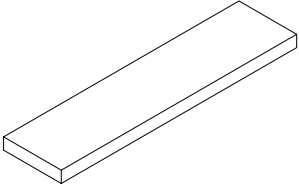
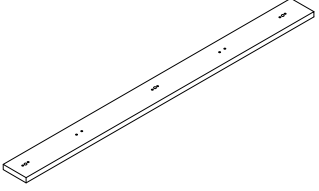
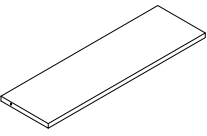
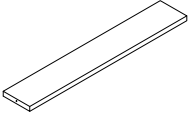
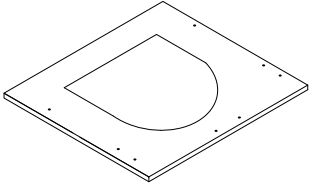
WARNINGS

1. Please be careful and slowly when opening and assembling the product, especially keep the parts and packaging away from children to avoid accidental injury.
2. Please avoid using aggressive chemicals/cleaners to avoid damaging the product surface.
3. Don't push or pull the product to avoid damaging your floor.
4. Attention: Don't throw away any packing materials and accessories until assembly is complete.






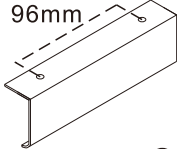



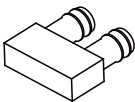




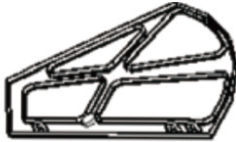

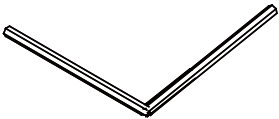
Exploded Drawing



Board list

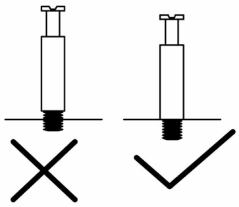
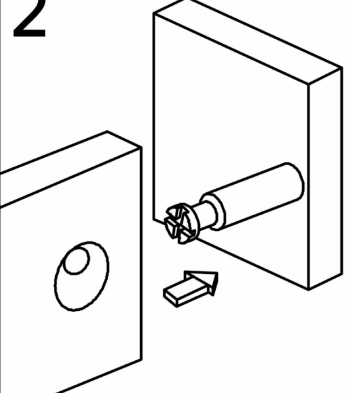
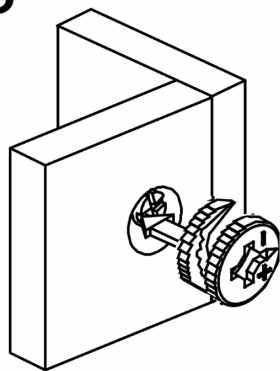
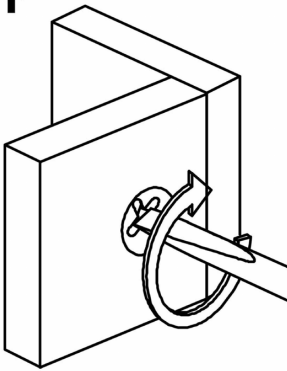
| | | | |
|---|--|--|--|
| <p>① TOP PANEL</p>  <p>1PCS</p> | <p>② LEFT SIDE PANEL</p>  <p>1PCS</p> | <p>③ RIGHT SIDE PANEL</p>  <p>1PCS</p> | <p>④ DIVIDOR PANEL</p>  <p>1PCS</p> |
| <p>⑤ BACK BAR</p>  <p>2PCS</p> | <p>⑥ FRONT BOTTOM BAR</p>  <p>1PCS</p> | <p>⑦ SEAT CUSHION</p>  <p>1PCS</p> | <p>⑧ HANGING BAR</p>  <p>1PCS</p> |
| <p>⑨ SHOE BOX LAYER PANEL</p>  <p>4PCS</p> | <p>⑩ SHOE BOX BOTTOM PANEL</p>  <p>2PCS</p> | <p>⑪ DOOR</p>  <p>2PCS</p> | |

Hardware List

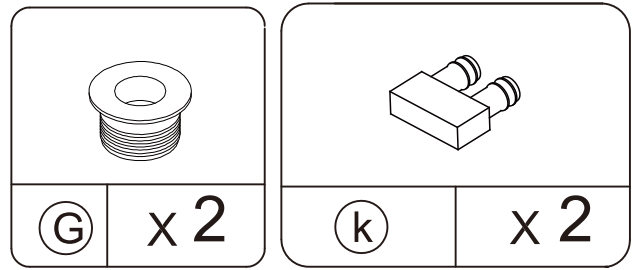
| | | | |
|--|---|---|--|
| <p>(A) CAM BOLT</p>  <p>Ø6X35mm</p> <p>7PCS spare:1</p> | <p>(B) CAM LOCK</p>  <p>Ø15X10mm</p> <p>7PCS spare:1</p> | <p>(C) WOOD DOWEL</p>  <p>Ø6X30mm</p> <p>6PCS spare:1</p> | <p>(D) SCREW</p>  <p>Ø3.5 X14 mm</p> <p>24PCS spare:3</p> |
| <p>(E) SCREW</p>  <p>M3x12</p> <p>14PCS spare:2</p> | <p>(F) DRAWER HANDLE</p>  <p>96mm</p> <p>2PCS</p> | <p>(G) PLASTIC SCREW</p>  <p>4PCS spare:1</p> | <p>(H) PLASTIC PLUG</p>  <p>4PCS spare:1</p> |
| <p>(J) HOOK</p>  <p>5PCS</p> | <p>(K) PLASTIC PIN</p>  <p>4PCS spare:1</p> | <p>(L) SHOE BOX LEFT SUPPORT</p>  <p>2PCS</p> | <p>(M) SCREW</p>  <p>Ø5X40 mm</p> <p>16PCS spare:2</p> |
| <p>(N) SCREW</p>  <p>Ø4x10mm</p> <p>4PCS spare:1</p> | <p>(P) HOLE STICKERS</p>  <p>18PCS spare:2</p> | <p>(R) SHOE BOX RIGHT SUPPORT</p>  <p>2PCS</p> | <p>(S) ANTI-TIP ACCESSORIES</p>  <p>M4x40mm M6x30mm</p> <p>3PCS</p> |
| <p>ALLEN KEY</p>  <p>1PC</p> | | | |

CAM LOCK/BOLT FASTENING INTRODUCTION

(You will use it during assembly)

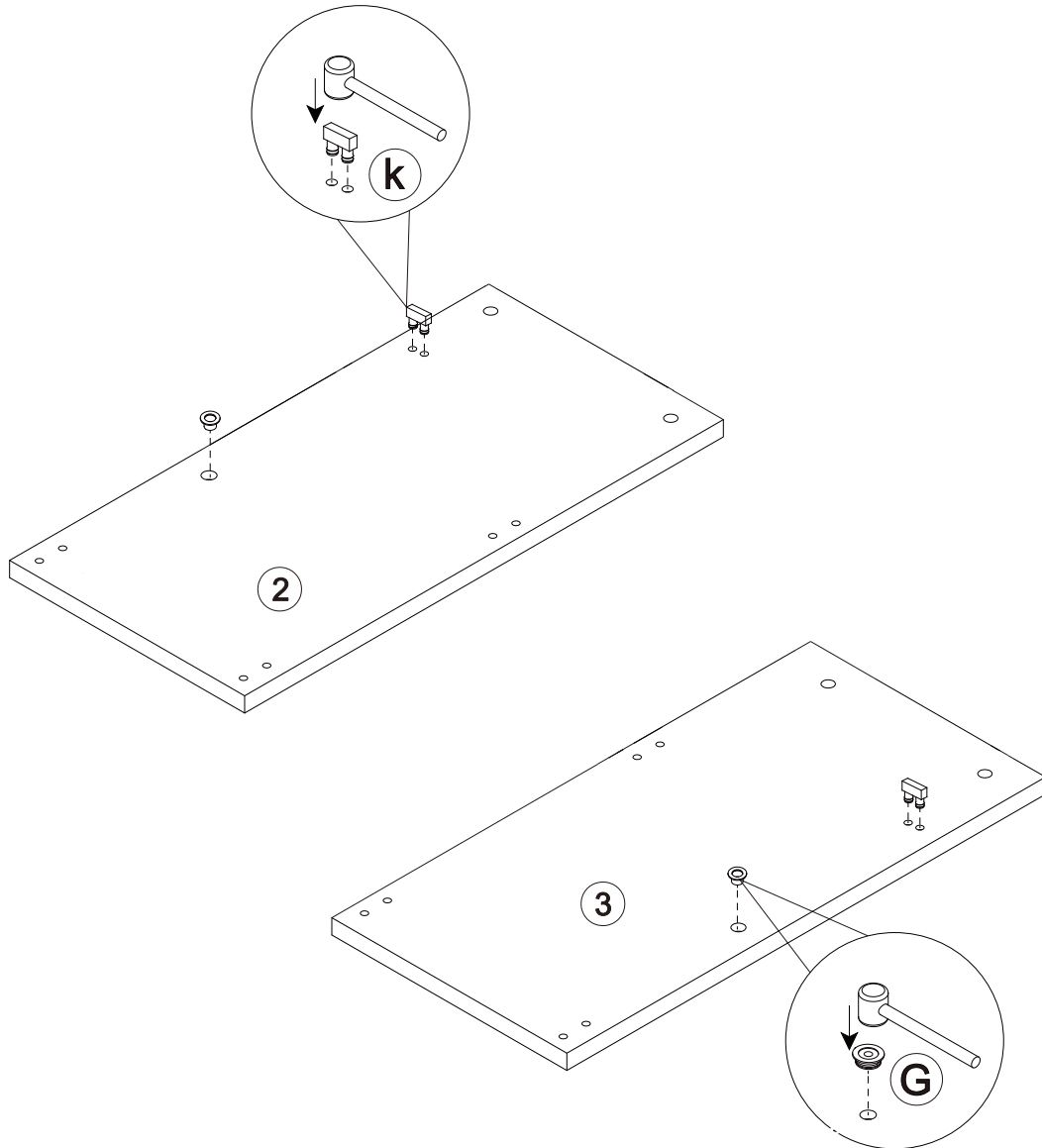
| | | | |
|--|---|--|---|
| 1  | 2  | 3  | 4  |
| <p>1.Screw cam bolt into the threaded anchor gently. (Attention:don't screw cam bolt too deep or too shallow.)</p> | <p>2.Please connect the 2 boards you want connect by inserting cam bolt.</p> | <p>3.Insert the cam lock into the round hole of the board. (Attention:point the arrow on the top of the cam lock to the outer edge.)</p> | <p>4.Turn the cam lock clockwise until it is firmly tightened.</p> |

1.

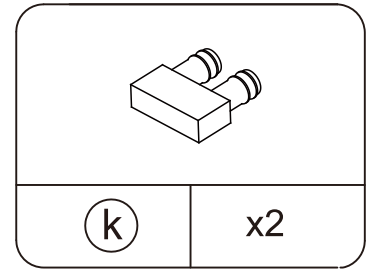
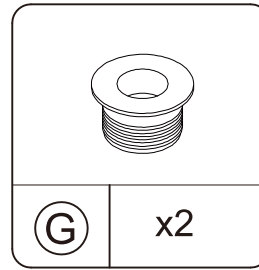


(1) Use a rubber hammer to gently hammer the plastic fitting(G)(K) into panel(2)(3).

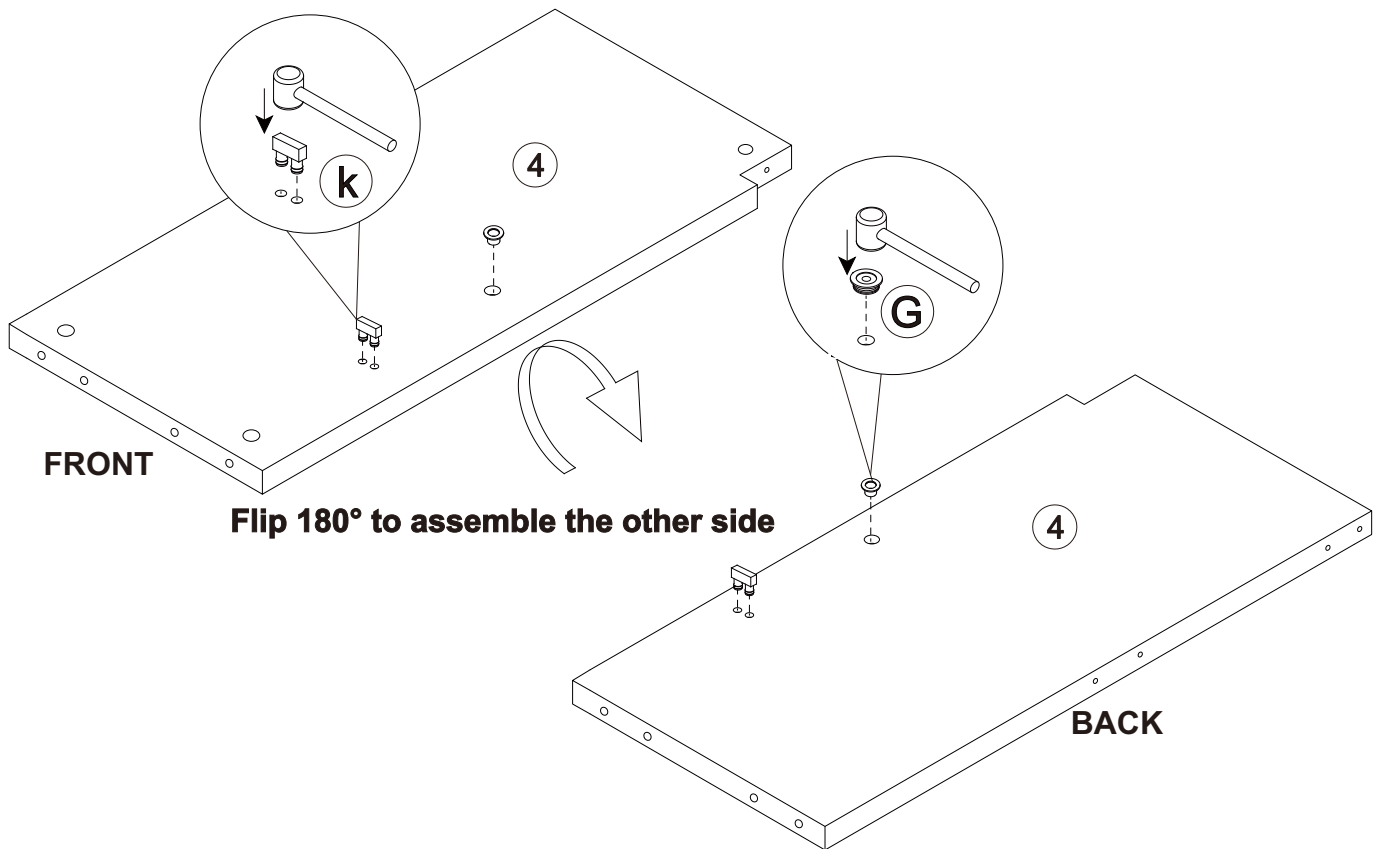
NOTE: Please use the rubber hammer to avoid the damage to the plastic parts.



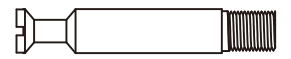
2.



Note: This step involves only ONE board of #4



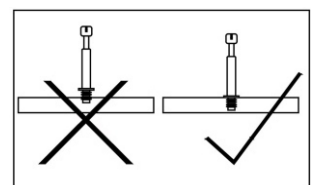
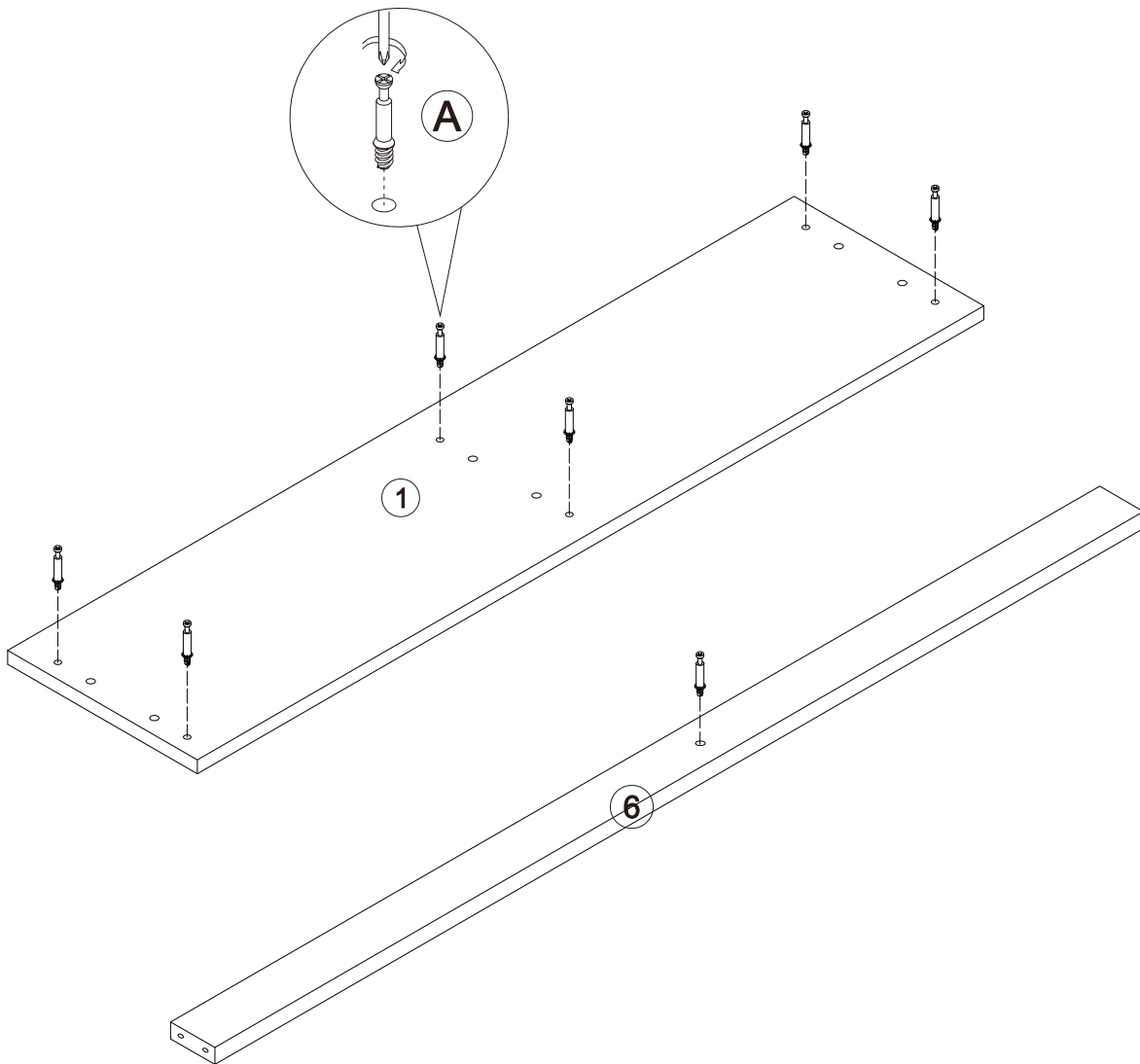
3.



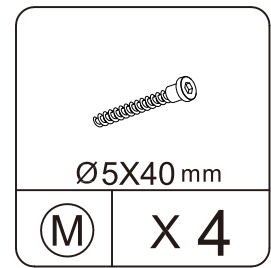
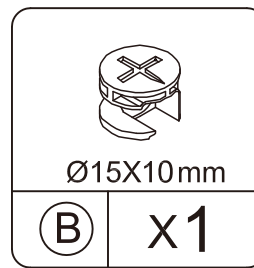
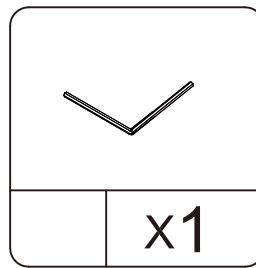
Ø6X35mm

(A)

X 7

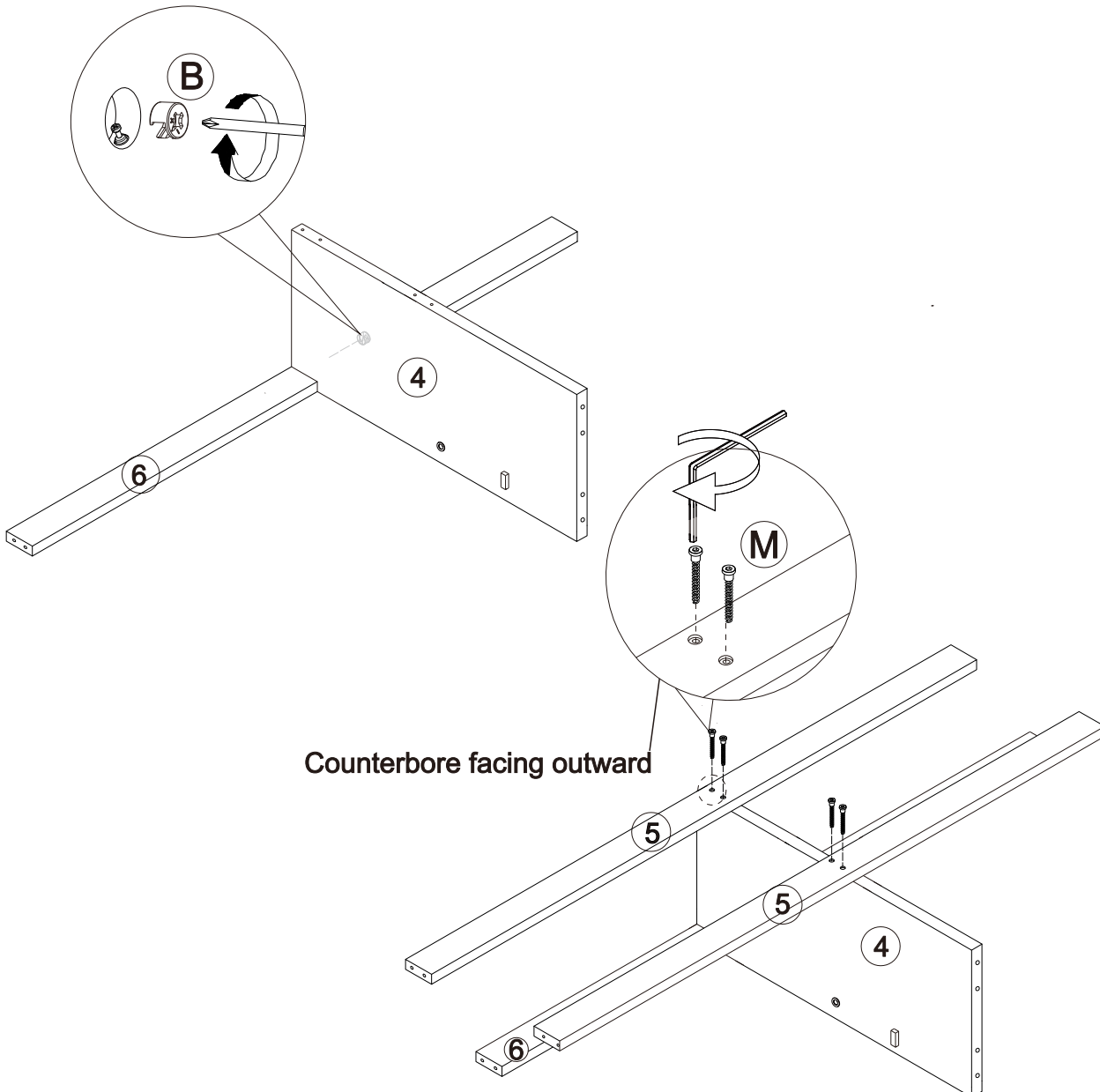


4.



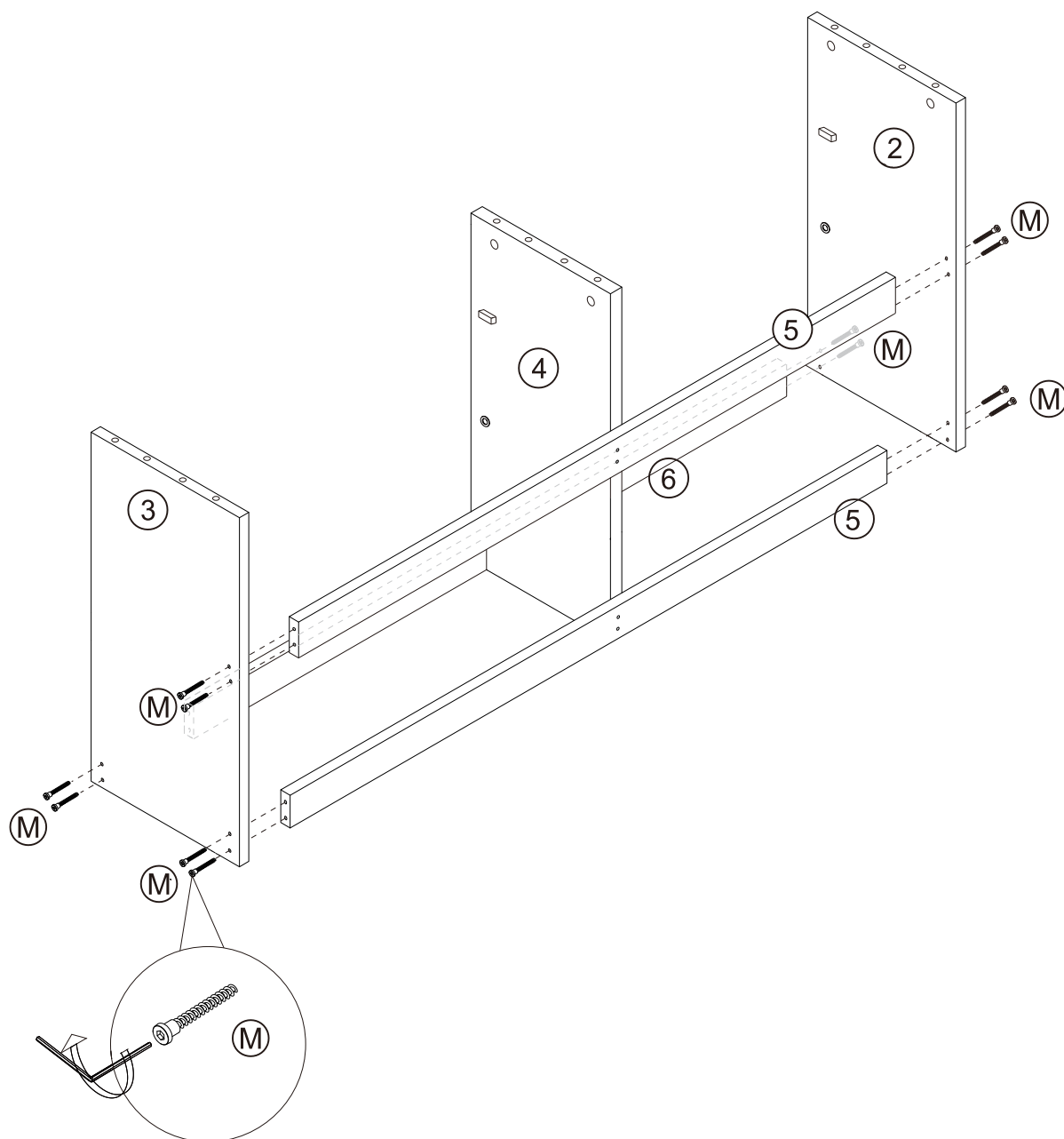
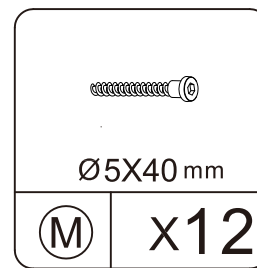
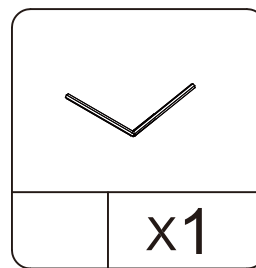
(1) Attach panel(4) to panel(6) by inserting cam lock(B) and then rotate clockwise to secure cam lock(B).

(2) Hold panel(4) and attach panels(5) to panel(4) with screw(M).



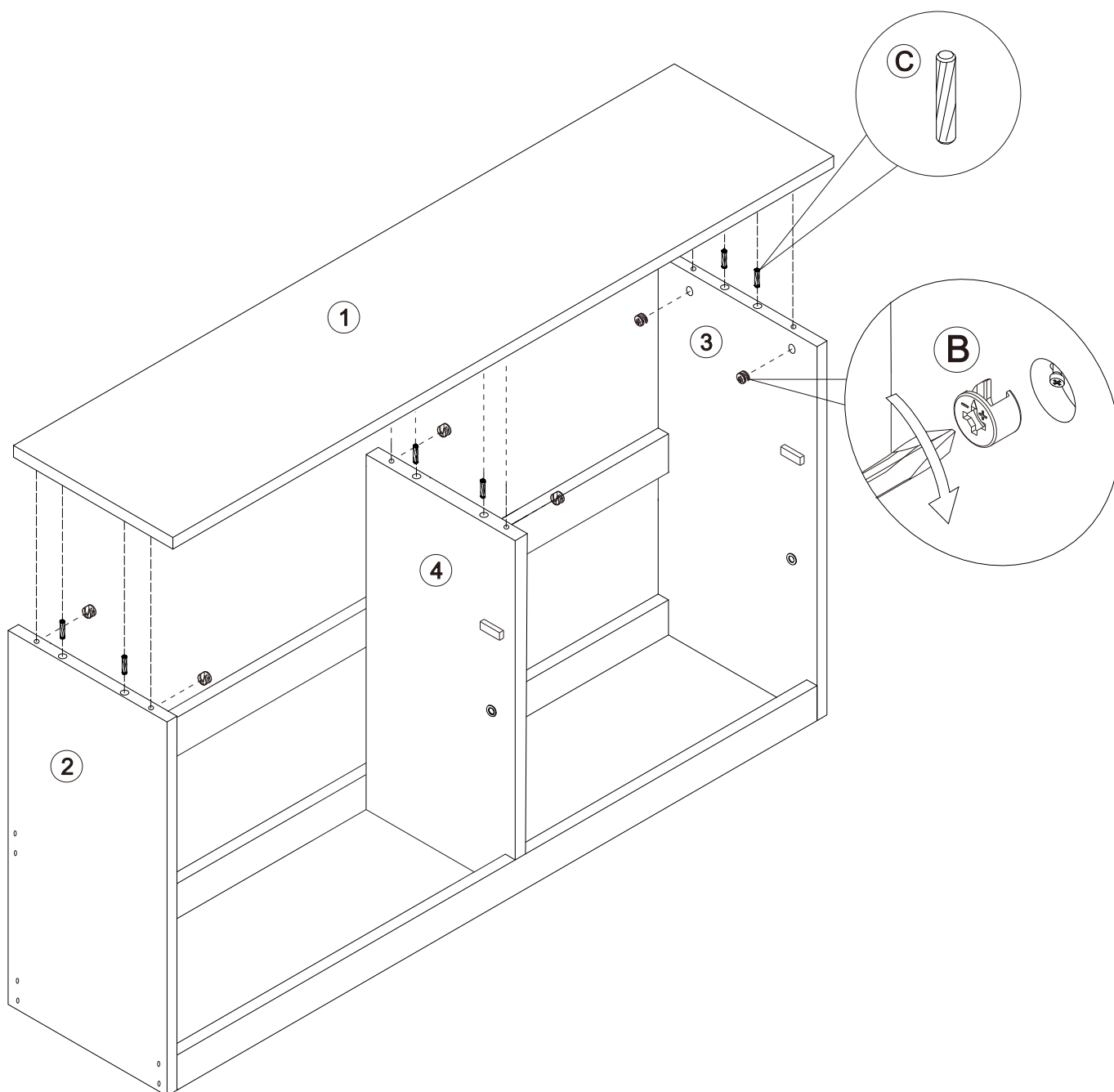
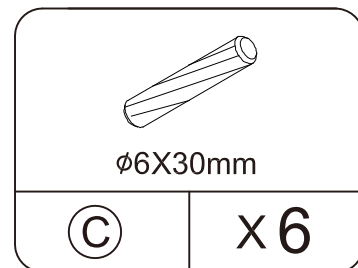
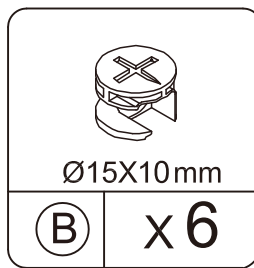
5.

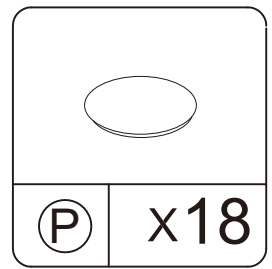
(1) Stand up the frame assembled in the previous step and install side panels(2)(3) on the frame with screw(M).



6.

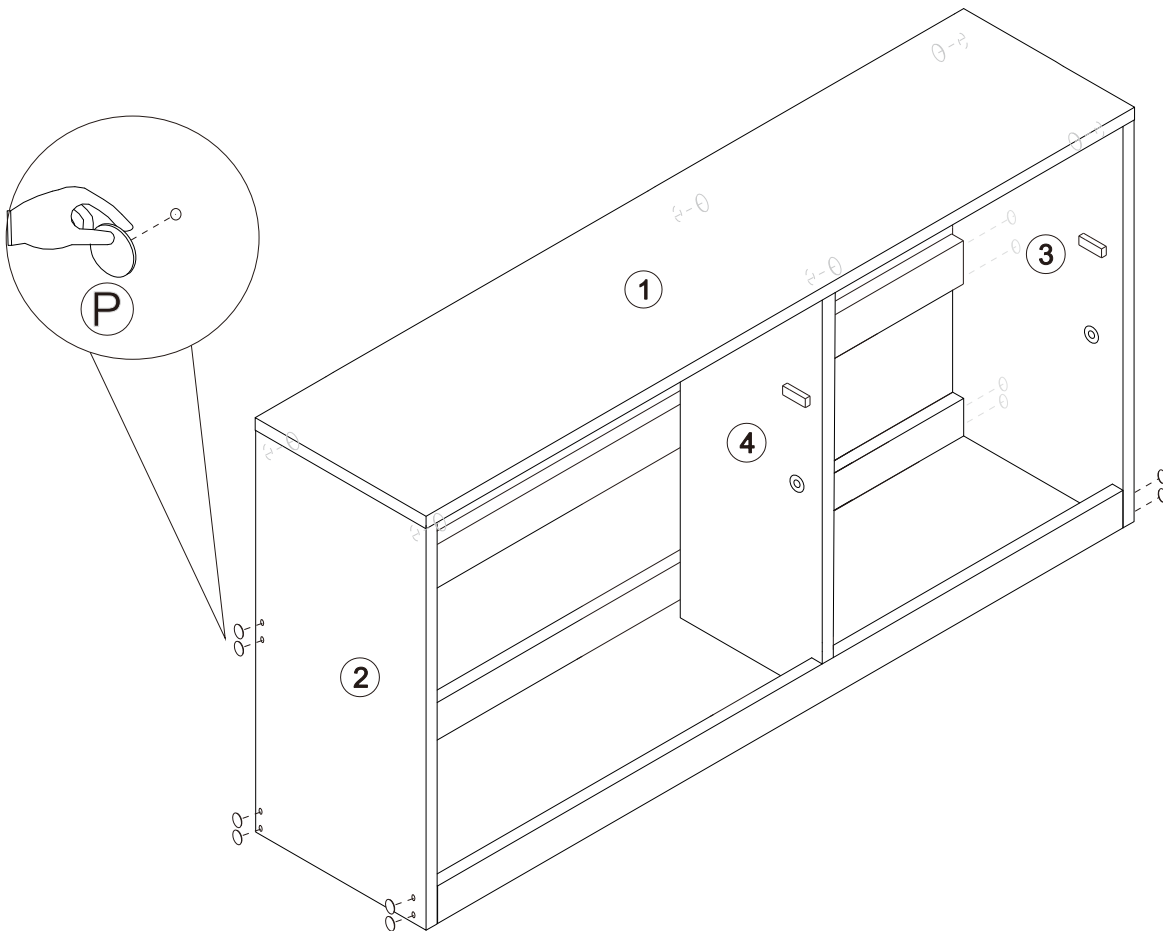
(1) Attach top panel(1) to the frame by inserting wooden dowels(C) and cam lock(B), then rotate clockwise to secure cam lock(B).



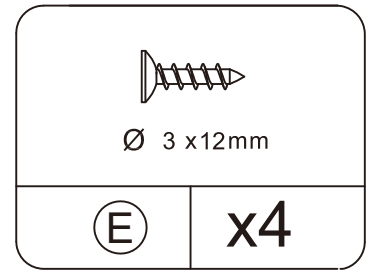
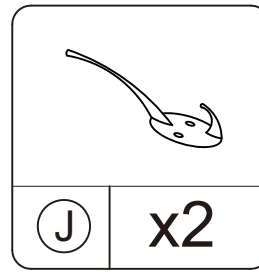


7.

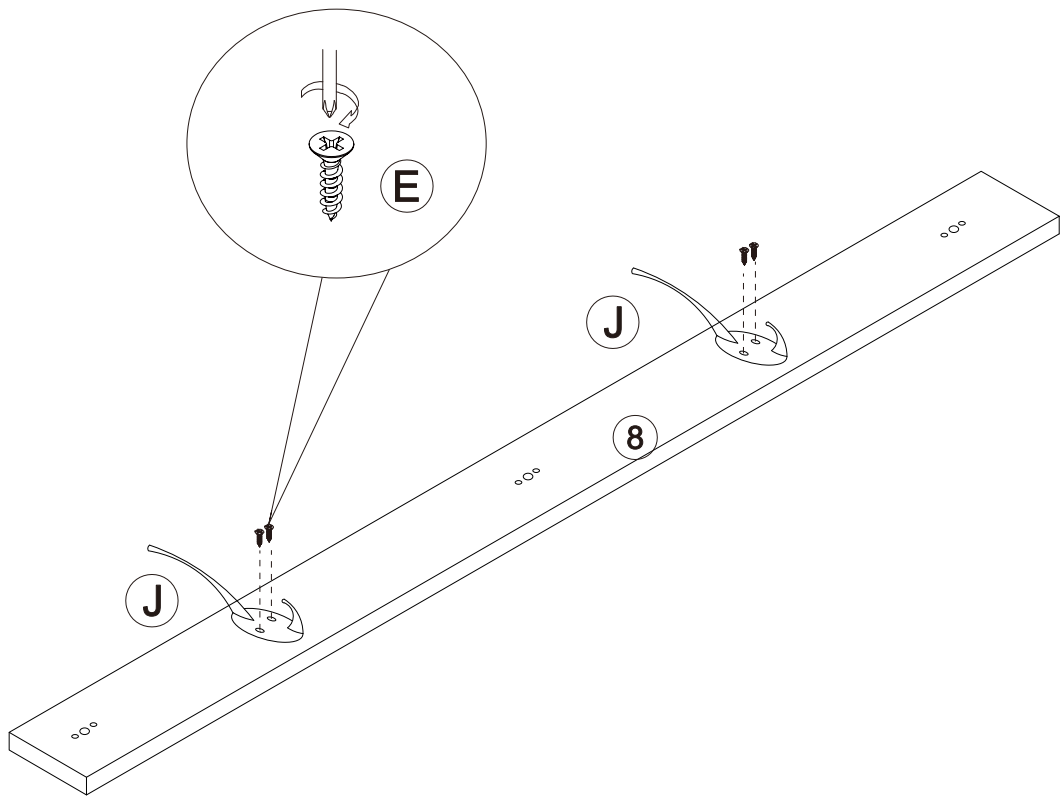
(1) Stick the same color hole stickers(P) on the holes.





8.

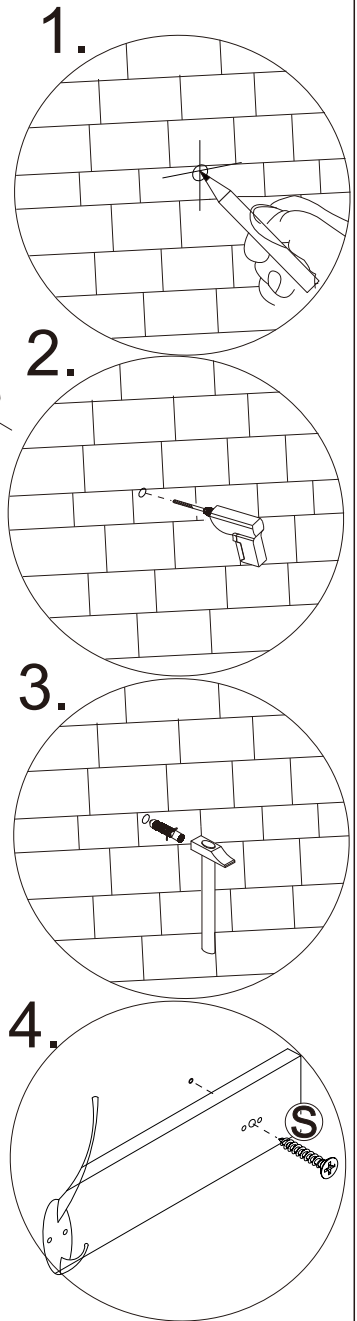
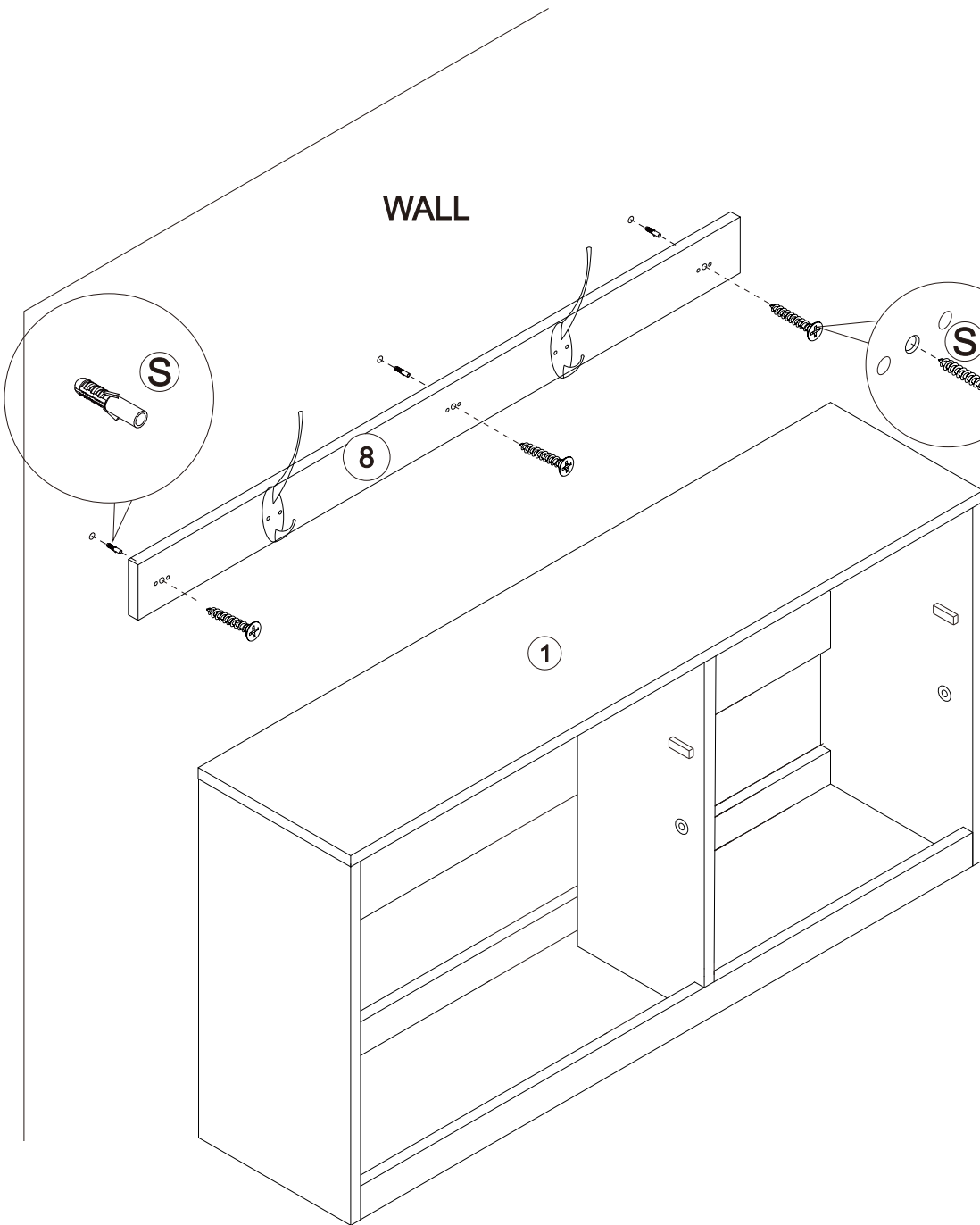


(1) Install 2 hooks (J) on hanging panel(8) at the positions shown in the figure below.



9.

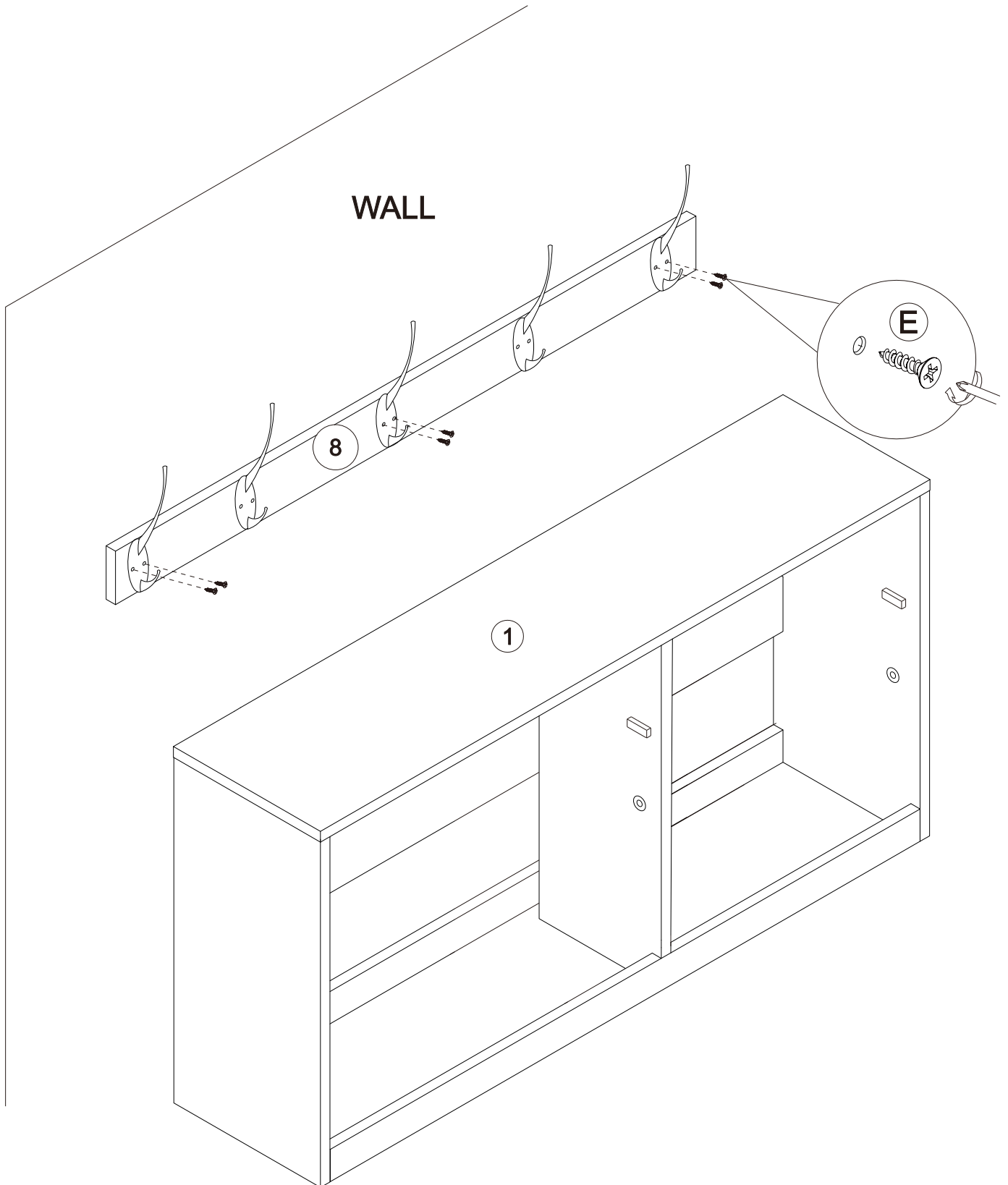
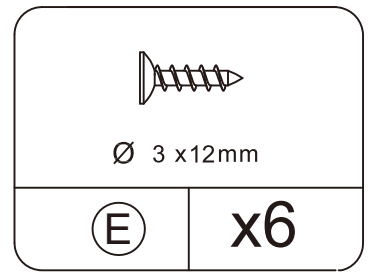
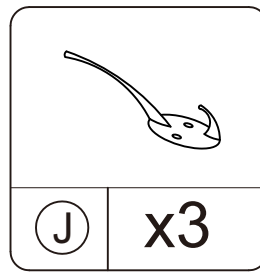
| | |
|--|----|
|  M4x40mm M6x30mm | |
|  | x3 |



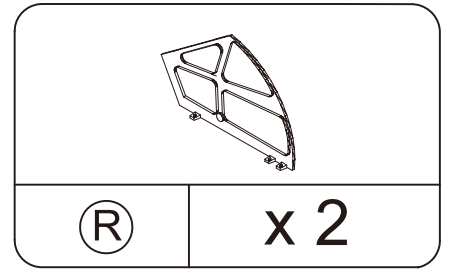
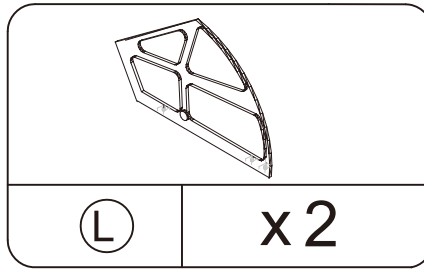
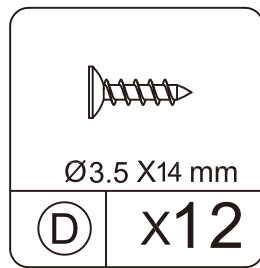
- . Mark the drill position on the wall with a pencil.
- .Drill holes on the marked position using a bit.
- .Gently insert the wall anchor(S) into the drilled hole with the help of a hammer.
- .Fixed the hanging panel to the wall with provided screws(S)

10.

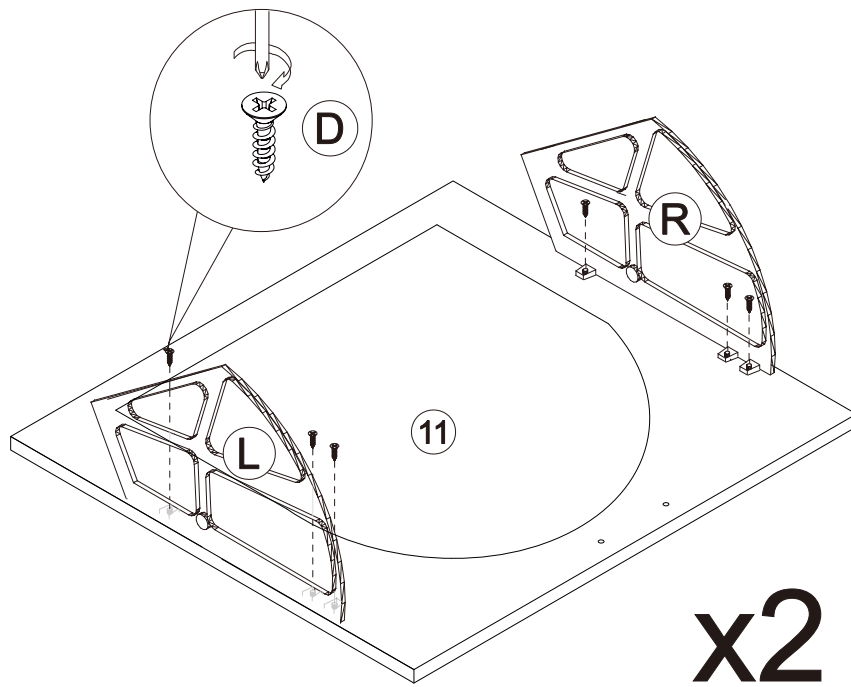
(1) Fix the remaining 3 hooks(J) to hanging panel(8) with screws(E)



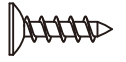
11.



(1) Install the flip support(L)(R) to the door panel(11) with screw(D).



12.

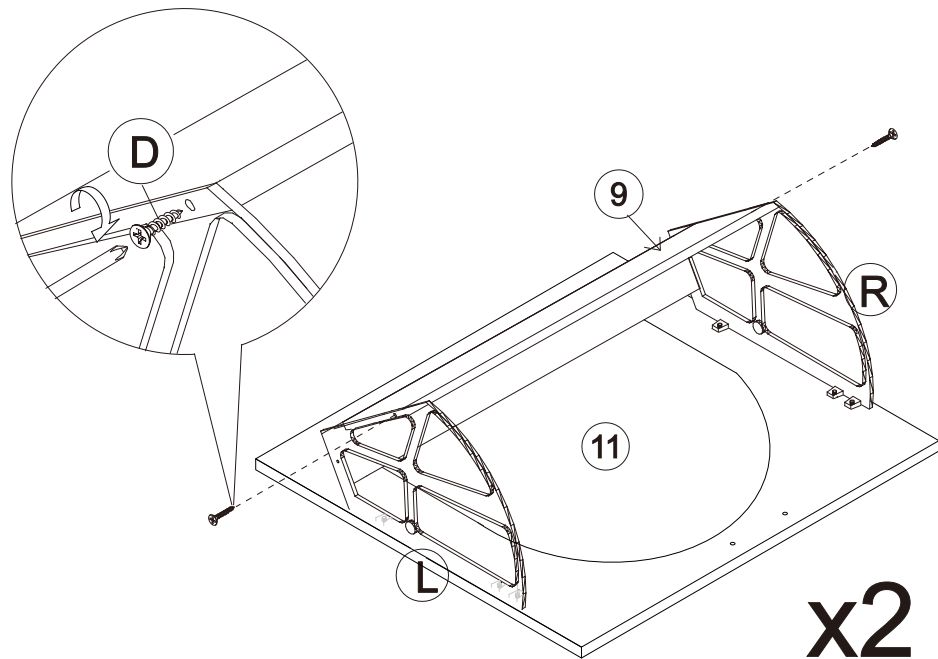
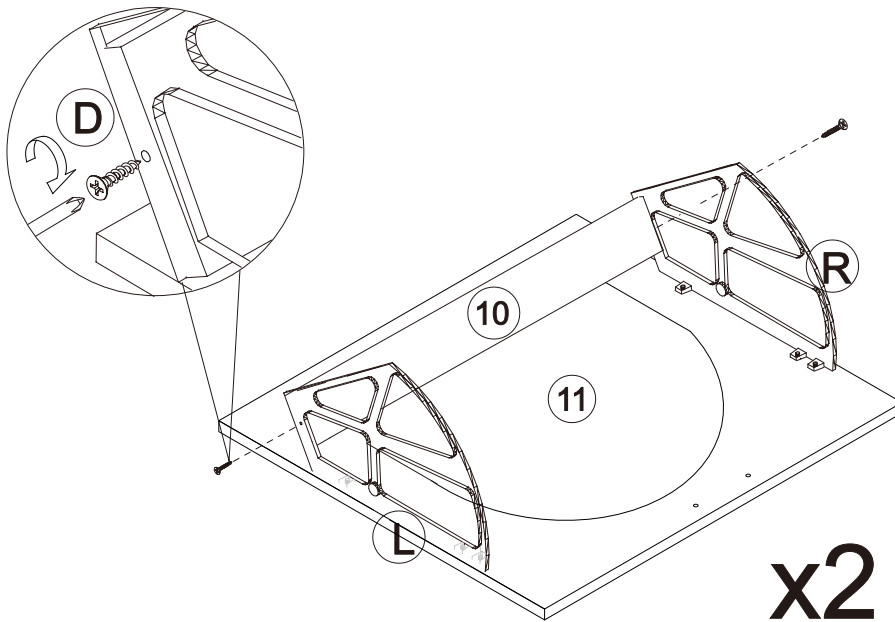


Ø3.5x14mm

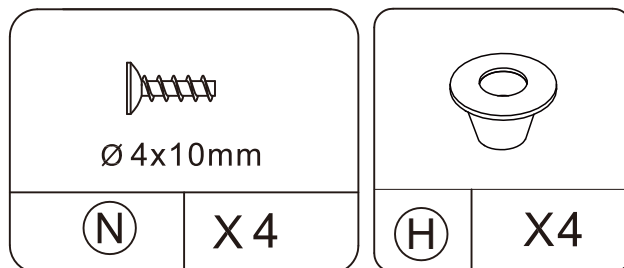
(D)

X 8

(1) Install panel(10) to the flip support(L)(R) with screw(D), then install panel(9).

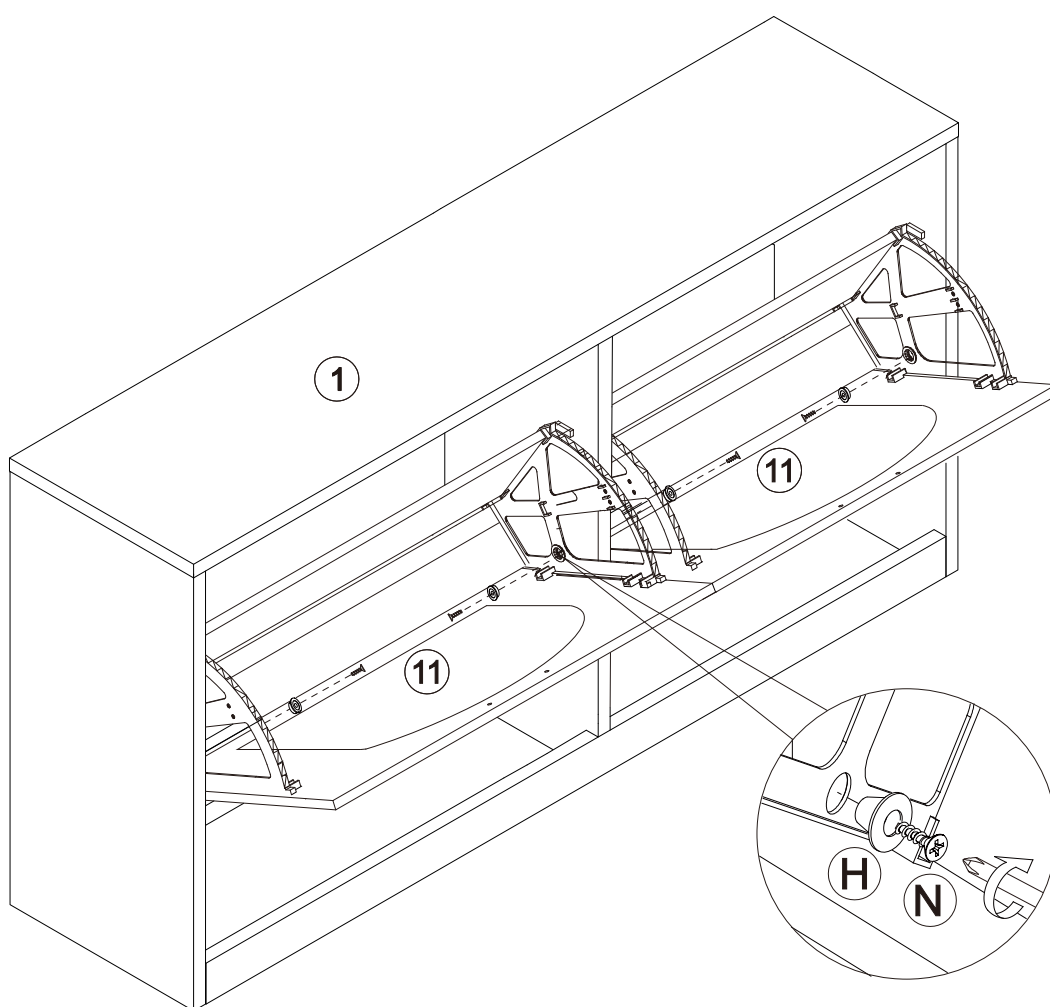


13.

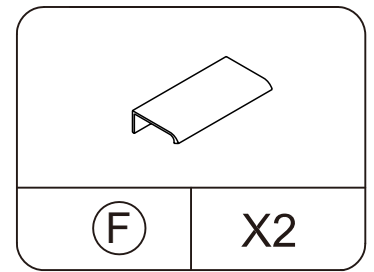
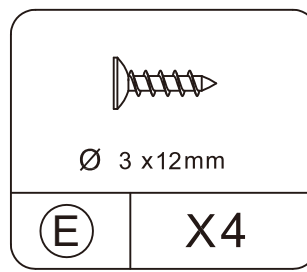
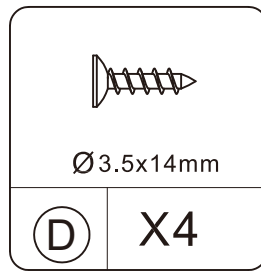


(1) Install 2 flip drawers to the bench with plug(H) and screw(N).

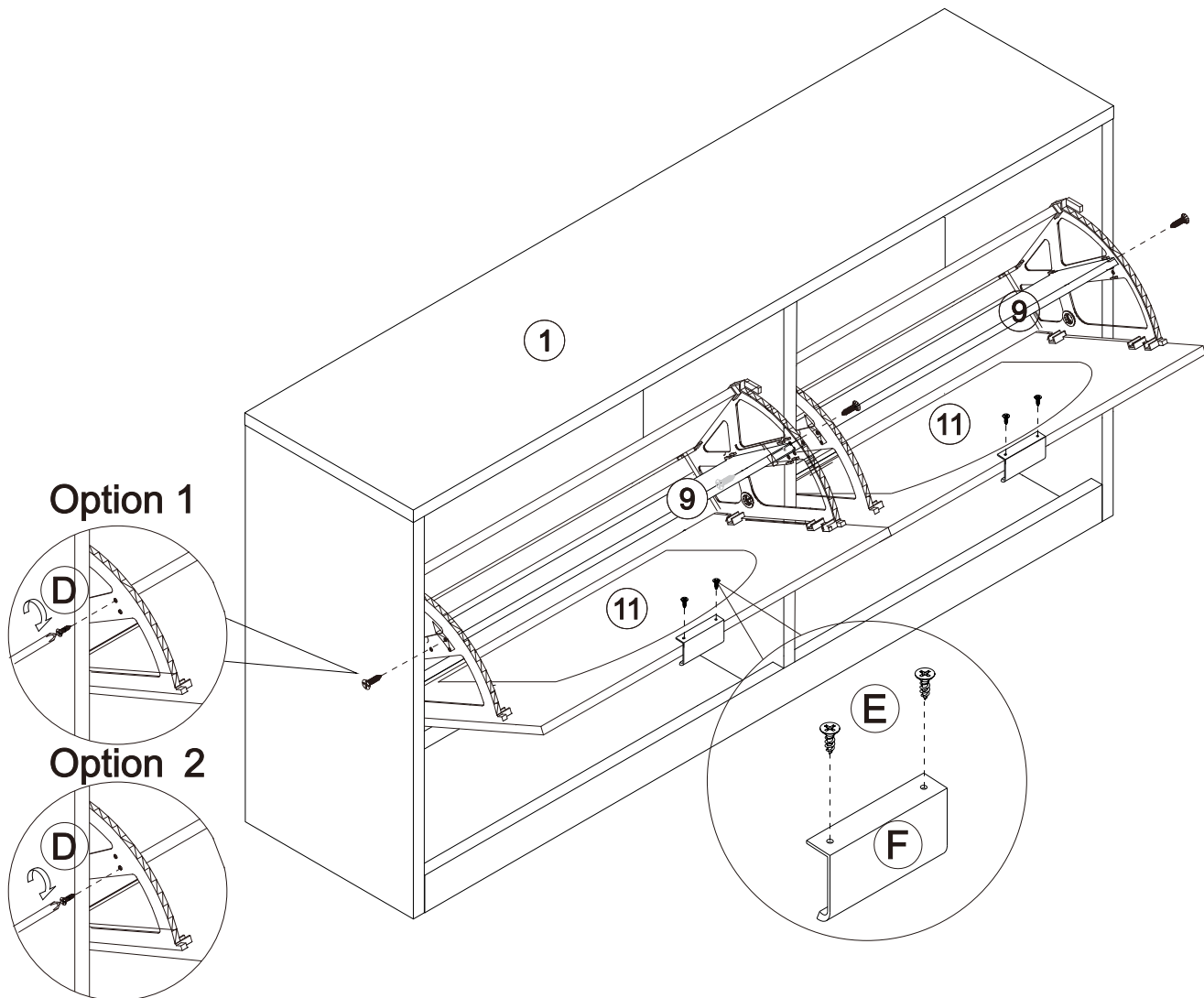
It is recommended that 2 people assemble.



14.



(1) Insert panel(9) and secure with screw(D), then install handle(F) with screw(E).



Note: you can adjust the position of panel(9) for various size of shoes

15.

- (1) Tear off the double-sided tape on the Velcro of seat cushion, and stick the cushion on top panel.

Attention: You can choose whether to use the seat cushion according to your needs. To prevent the double-sided tape from damaging the top panel(1), please confirm whether you need the seat cushion before pasting.

