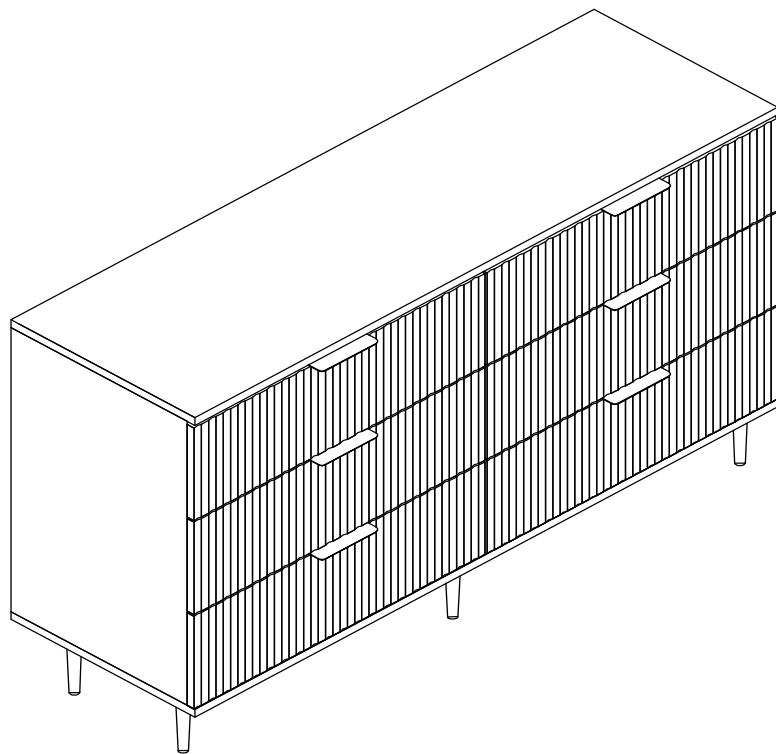
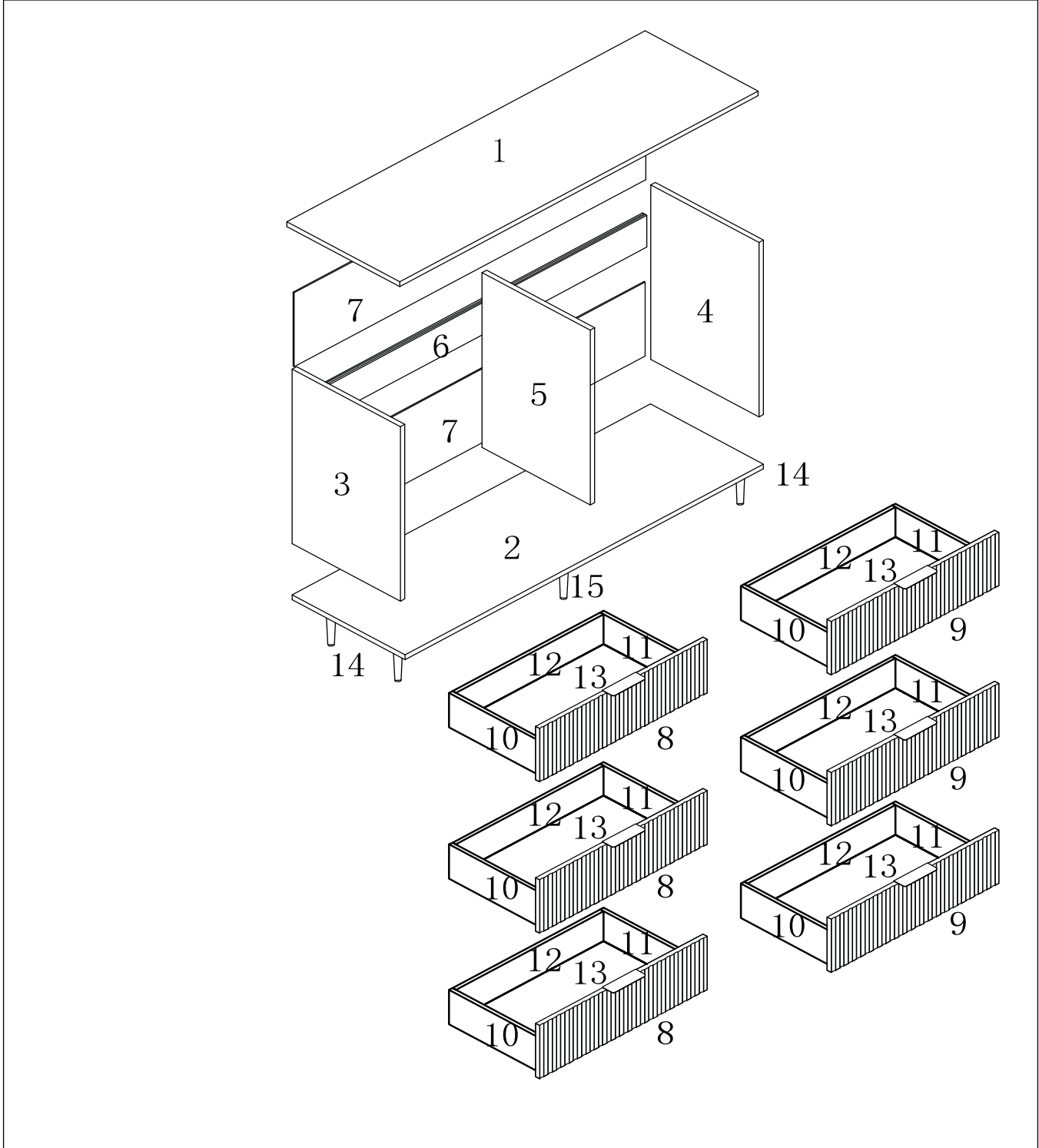



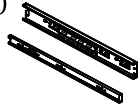




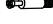

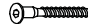
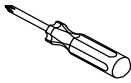








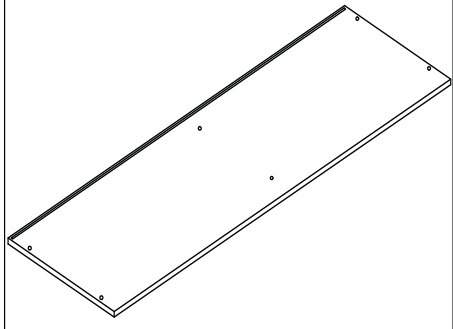
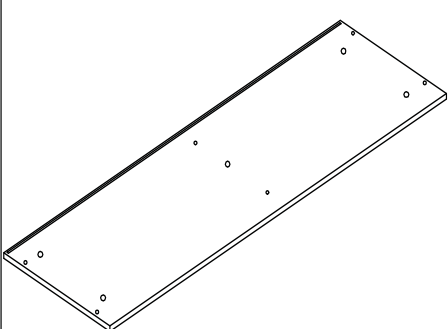
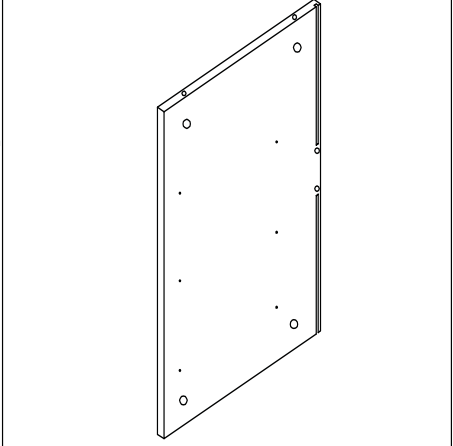
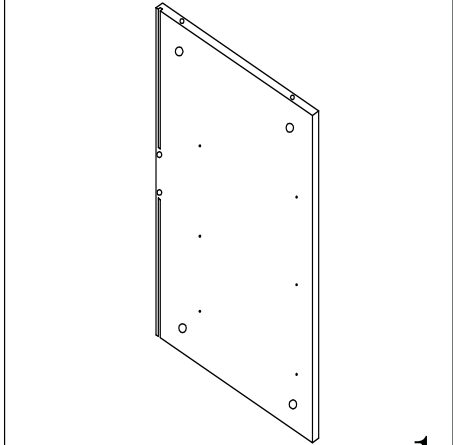
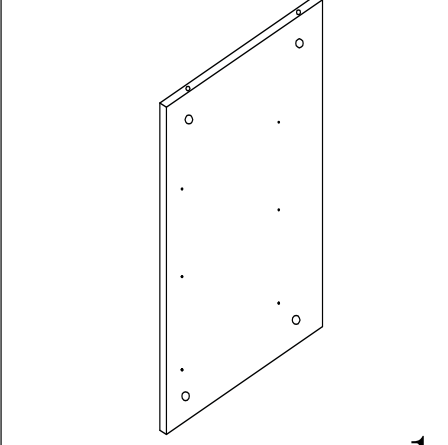
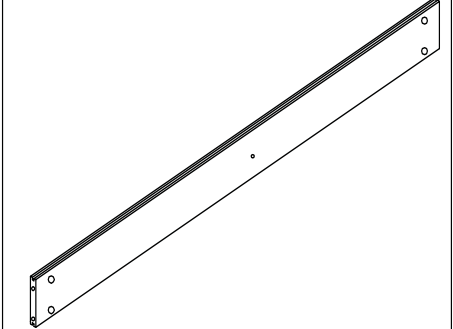
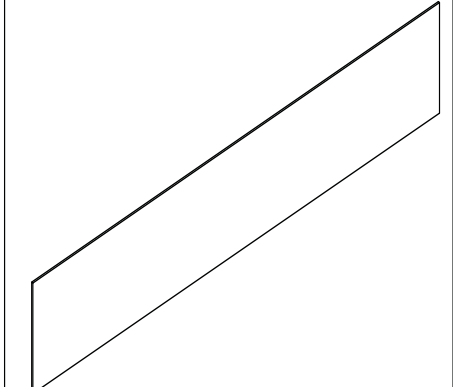
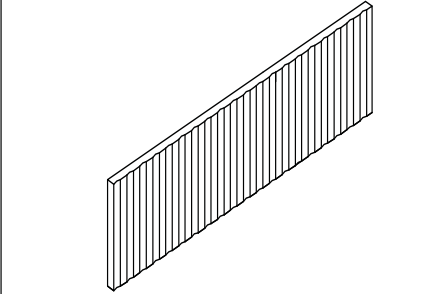
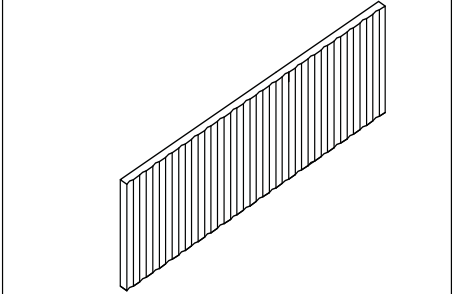
286x210mm

# Assembly Instructions

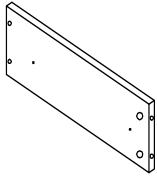




A  12mm x60+(3)	B  x12	C  14mm x12+(1)	D  x12	E  23mm x5	F  x6	G  40mm x16+(1)	H  ø15 x16+(1)
I  28mm x24+(1)	J  ø12 x24+(1)	K  40mm x25+(1)	L 	M 	KK  x2	LL  14mm x2	MM  28mm x2
NN  x4	OO  x2						

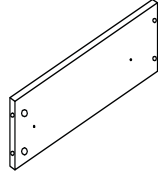
<p>1</p>  <p>x1</p>	<p>2</p>  <p>x1</p>	<p>3</p>  <p>x1</p>
<p>4</p>  <p>x1</p>	<p>5</p>  <p>x1</p>	<p>6</p>  <p>x1</p>
<p>7</p>  <p>x2</p>	<p>8</p>  <p>x3</p>	<p>9</p>  <p>x3</p>

10



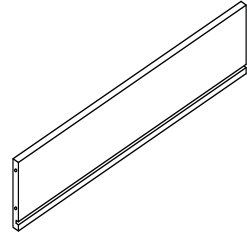
x6

11



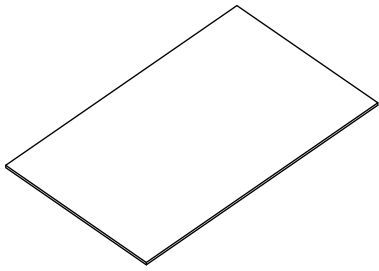
x6

12



x6

13



x6

14



x4

15

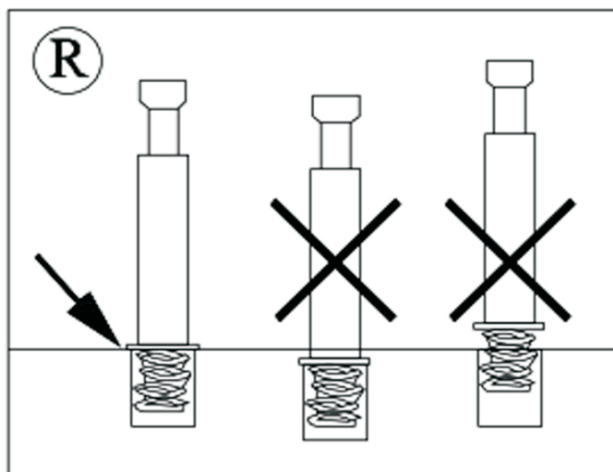
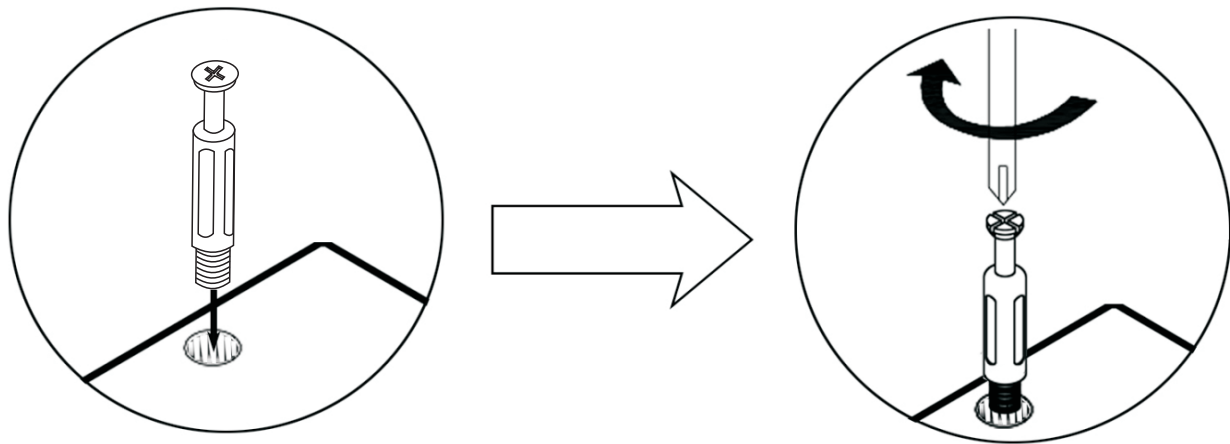


x1



## Hardware installation demonstration

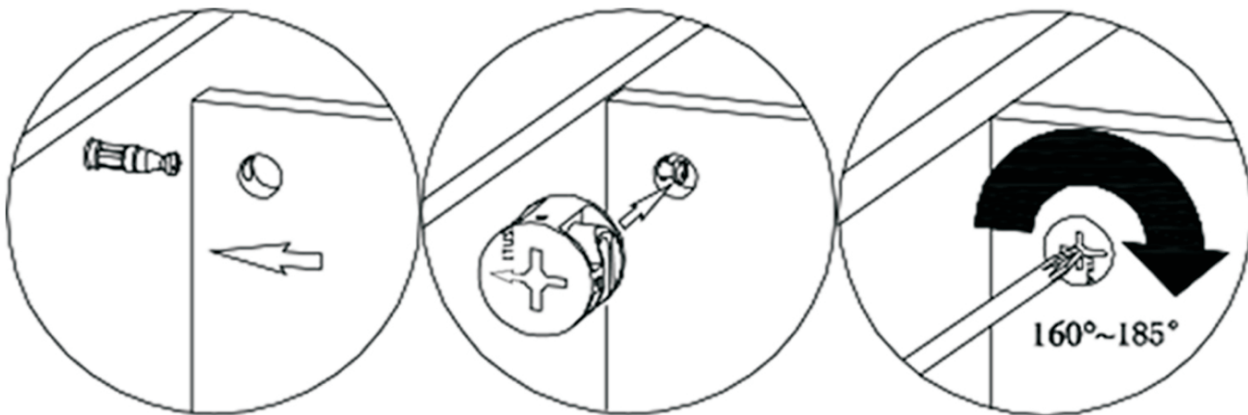
- Please make sure G. I hardware tightened and can't be pulled out





## Hardware installation demonstration

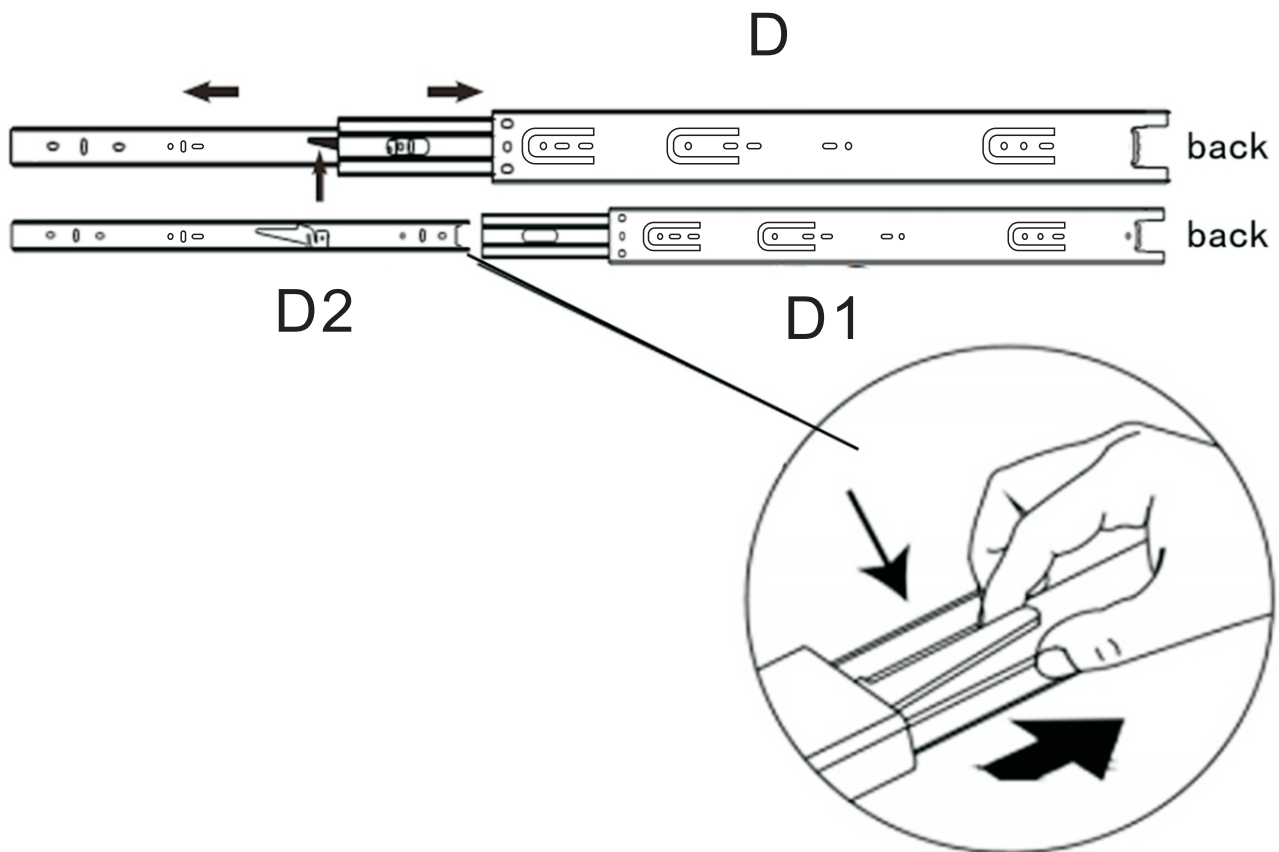
- When inserting cam ensure arrowhead on cam points toward to the hole on the panel edge





## Hardware installation demonstration

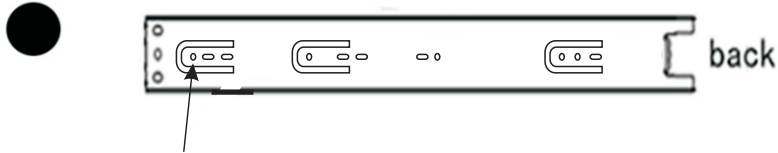
- Before installing the drawer rail, you need to separate the D1 and D2 first.



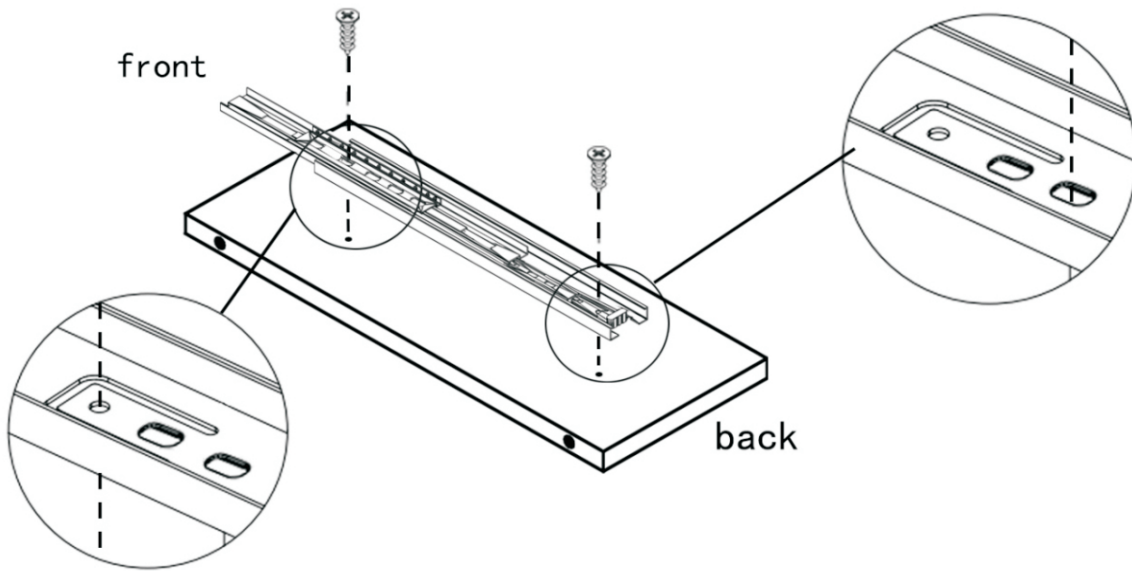
Warm Reminder: Press it and split



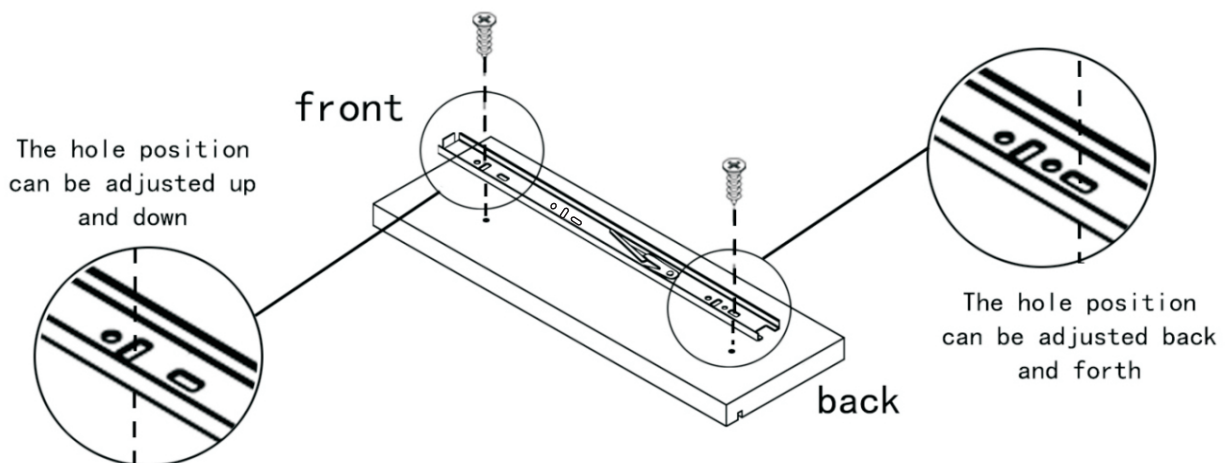
## Hardware installation demonstration



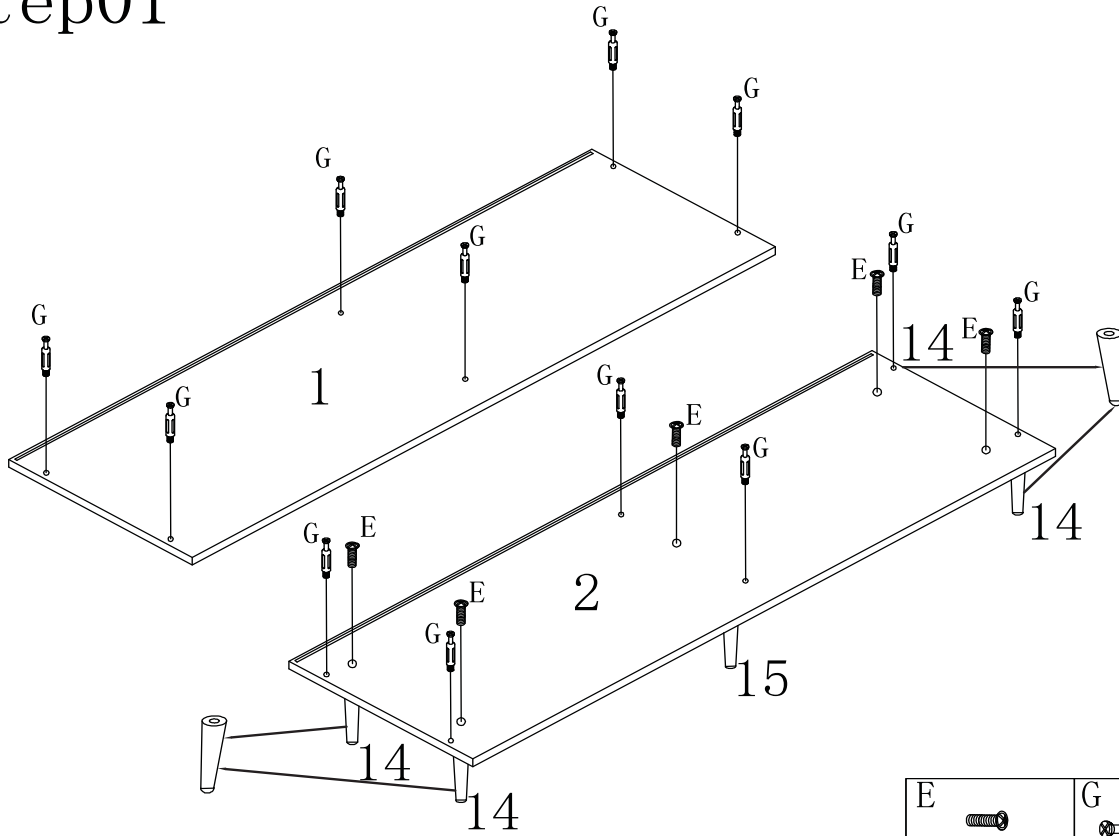
The first screw hole should correspond with the board location hole





The first screw hole should correspond with the board location hole

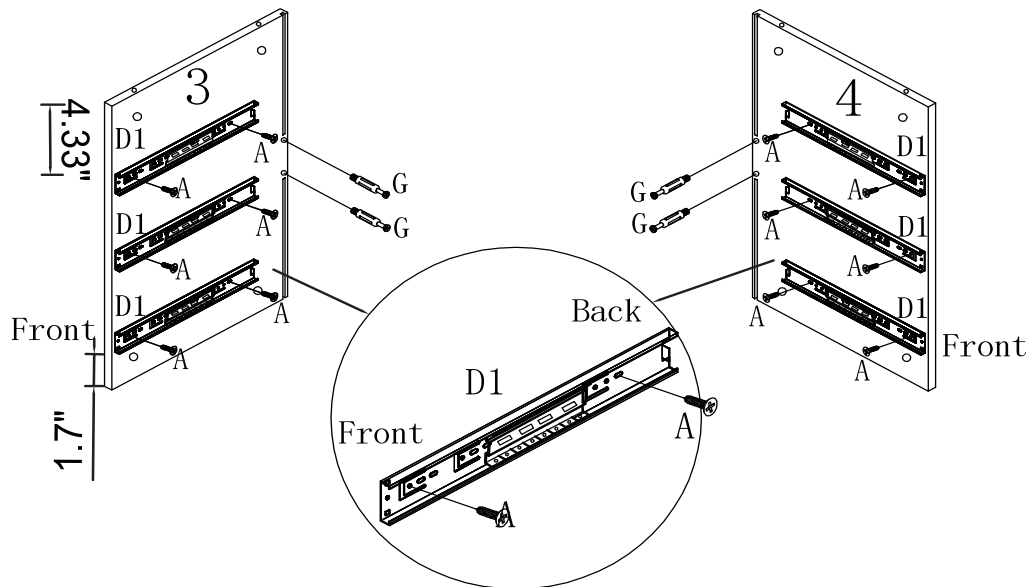





# Step01



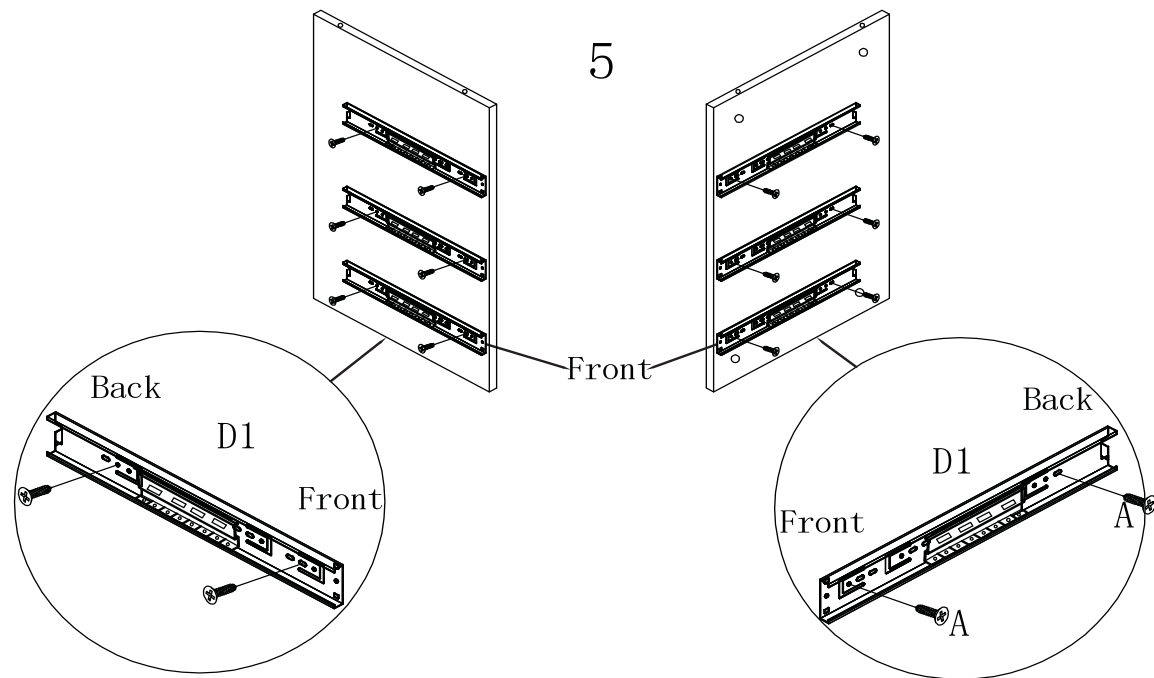
E		G	
	23mm		40mm
	x5		x12



# Step02



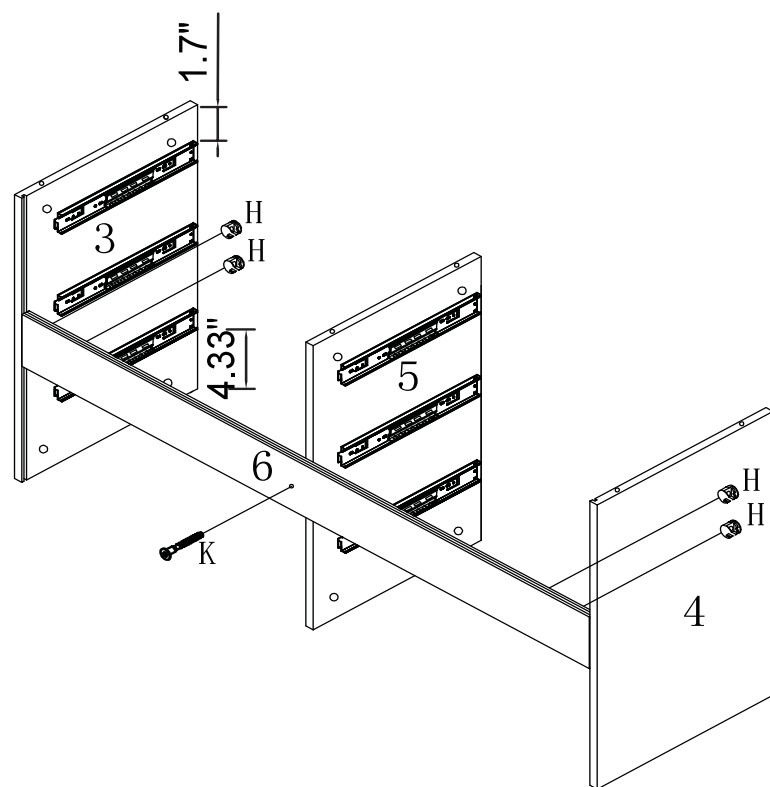
A		D1		G	
	12mm				40mm
	x12		x6		x4



# Step03



A		D1	
	12mm		x6
	x12		

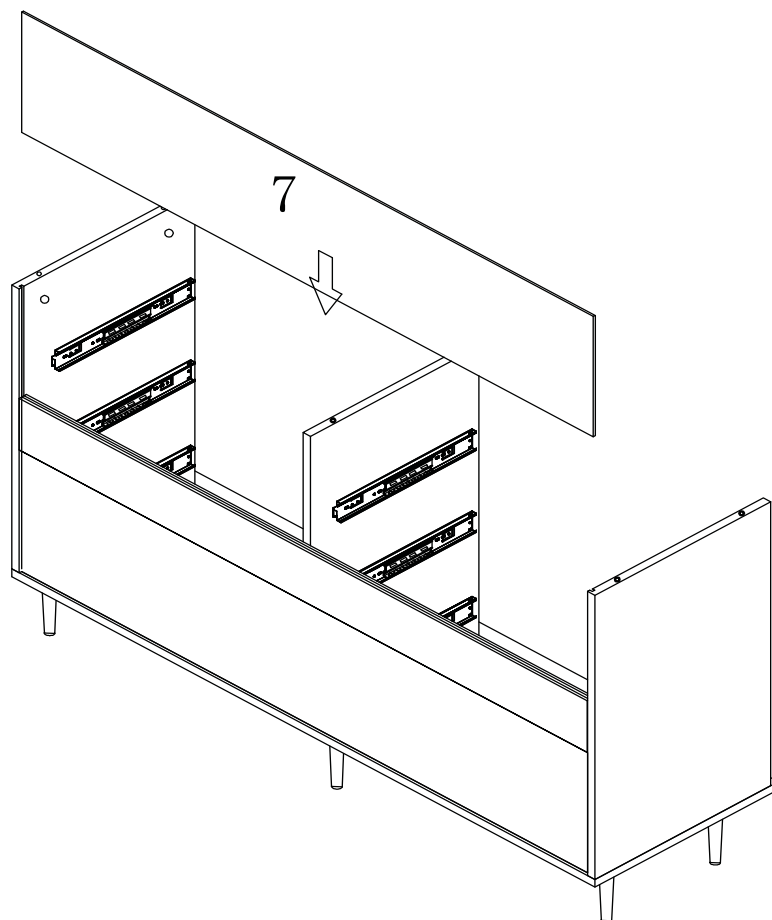
# Step04



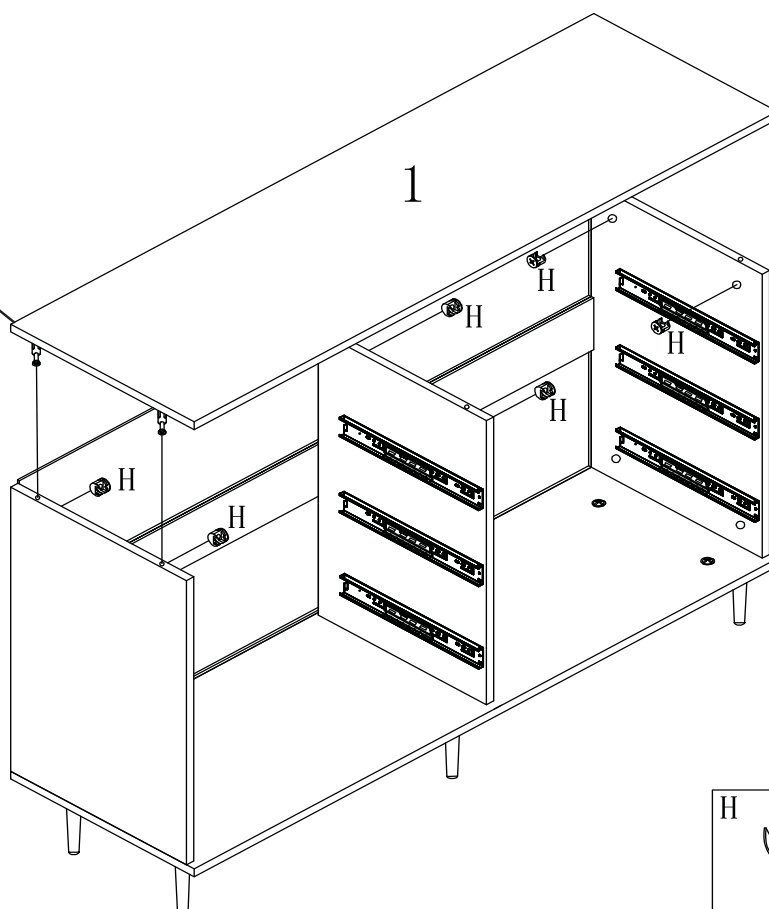
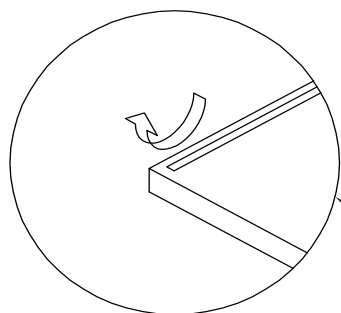
H		K	
	φ15		40mm
	x4		x1




# Step07

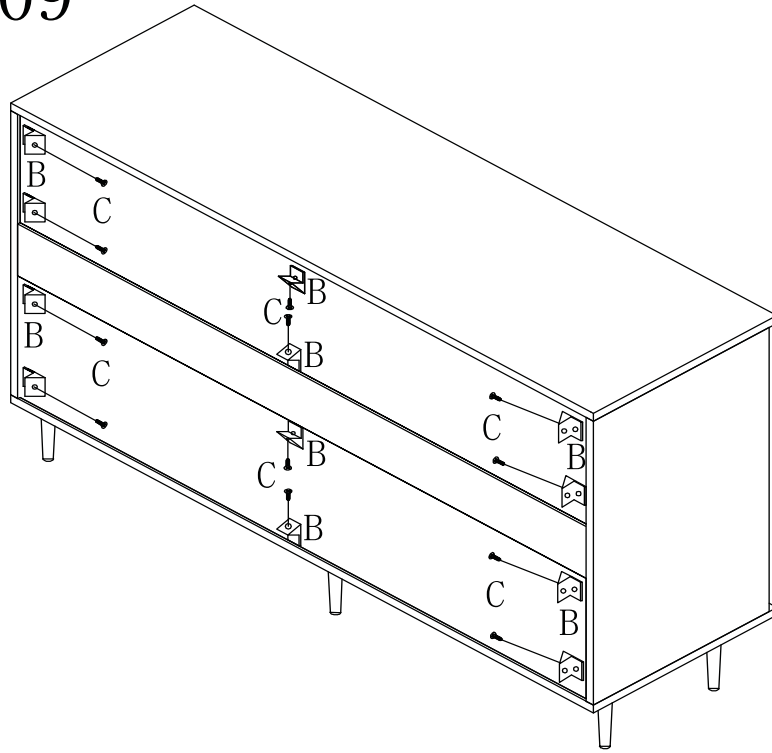




# Step08



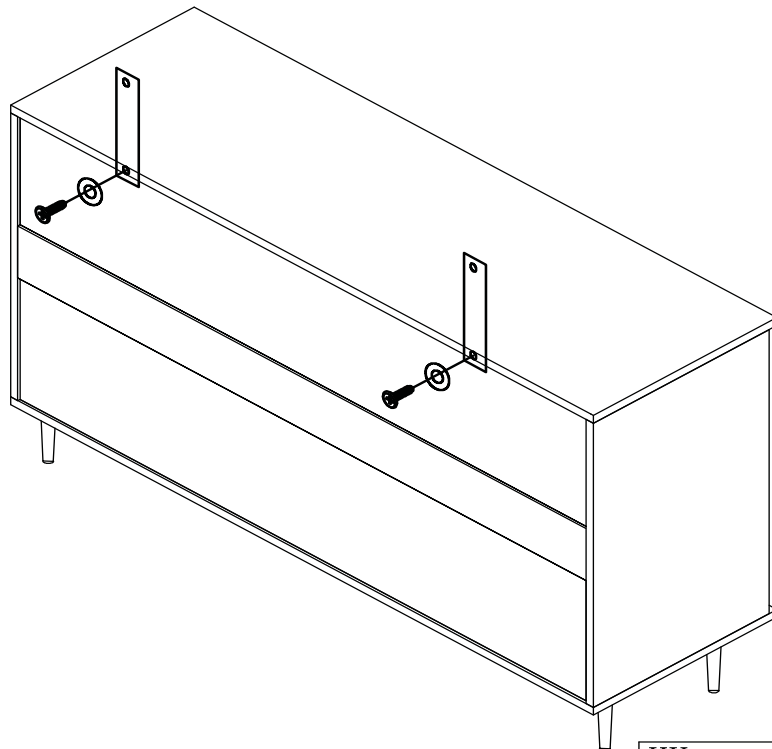
H  
  
ø15  
x6

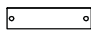


# Step09



B	C
	
x12	14mm x12

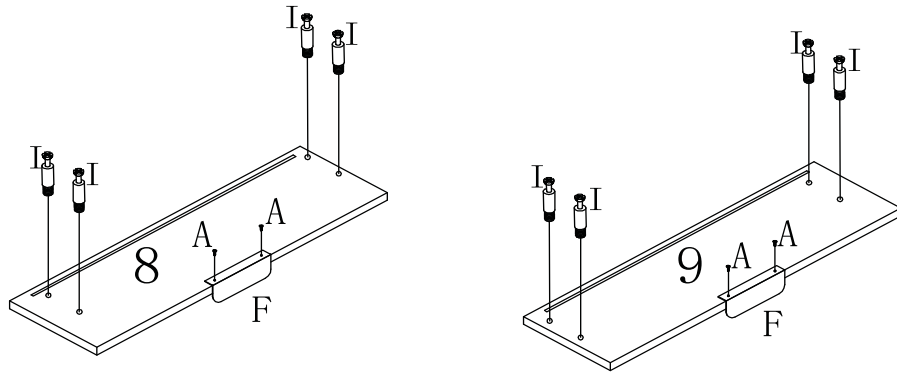
# Step10

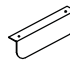

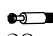


KK	LL	NN
		
x2	14mm x2	x2

# Step11

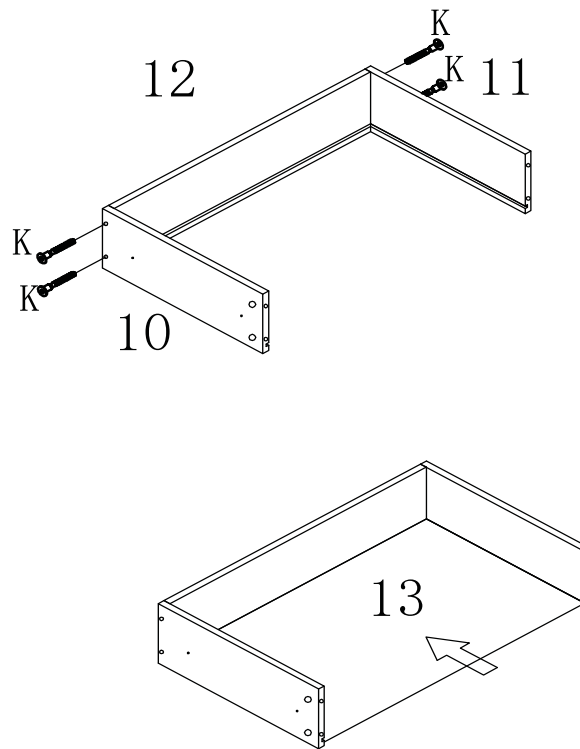
# x3

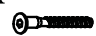


F	A	I
		
x6	12mm x12	28mm x24

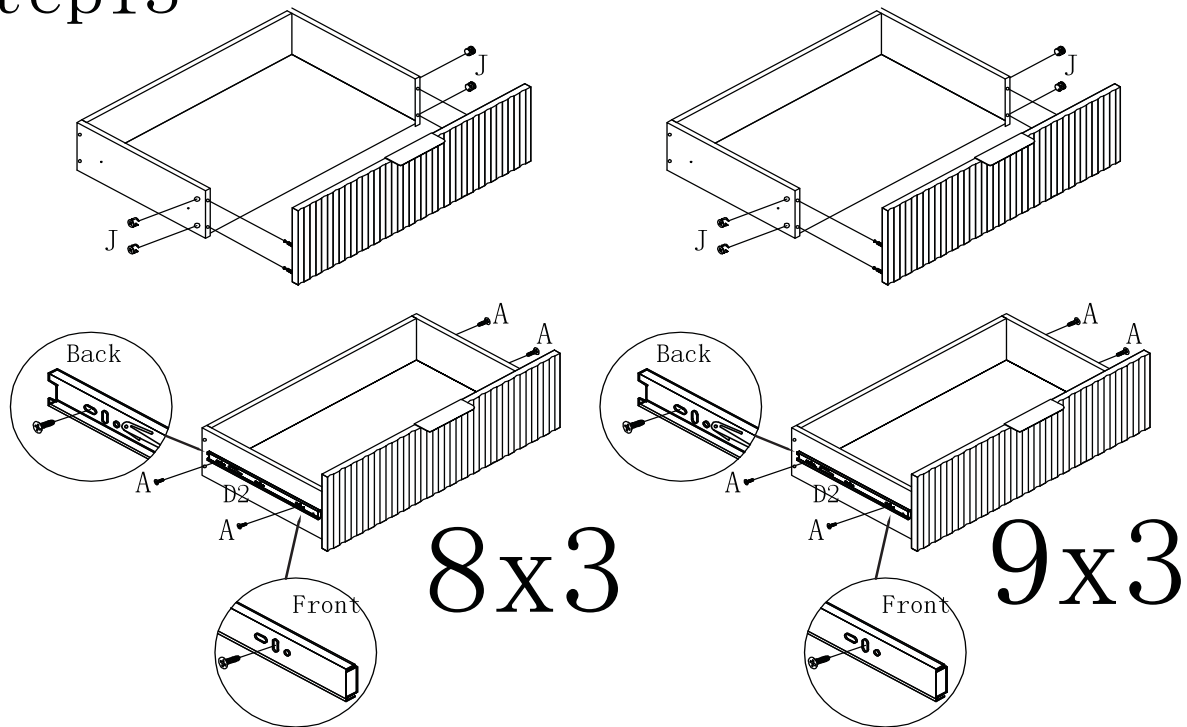
# Step12

# x6





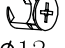
K

40mm x24

# Step13

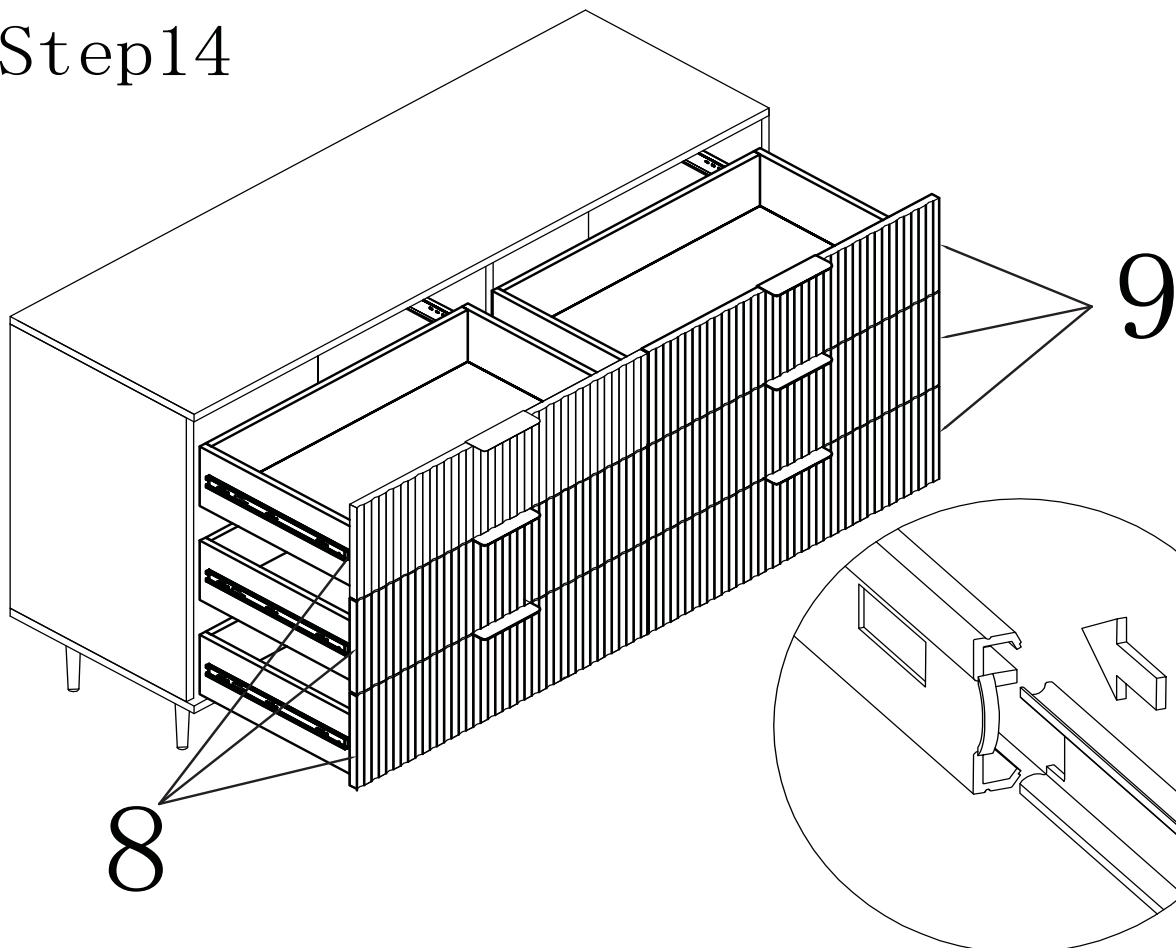


8x3

9x3

A		D2		J	
	12mm		x12		ø12
	x24				x24

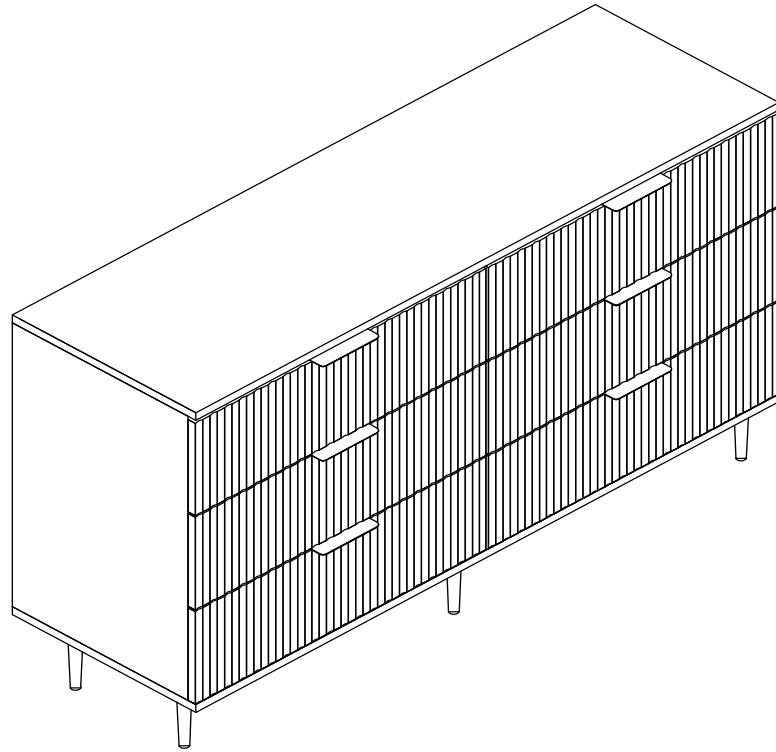
# Step14



8

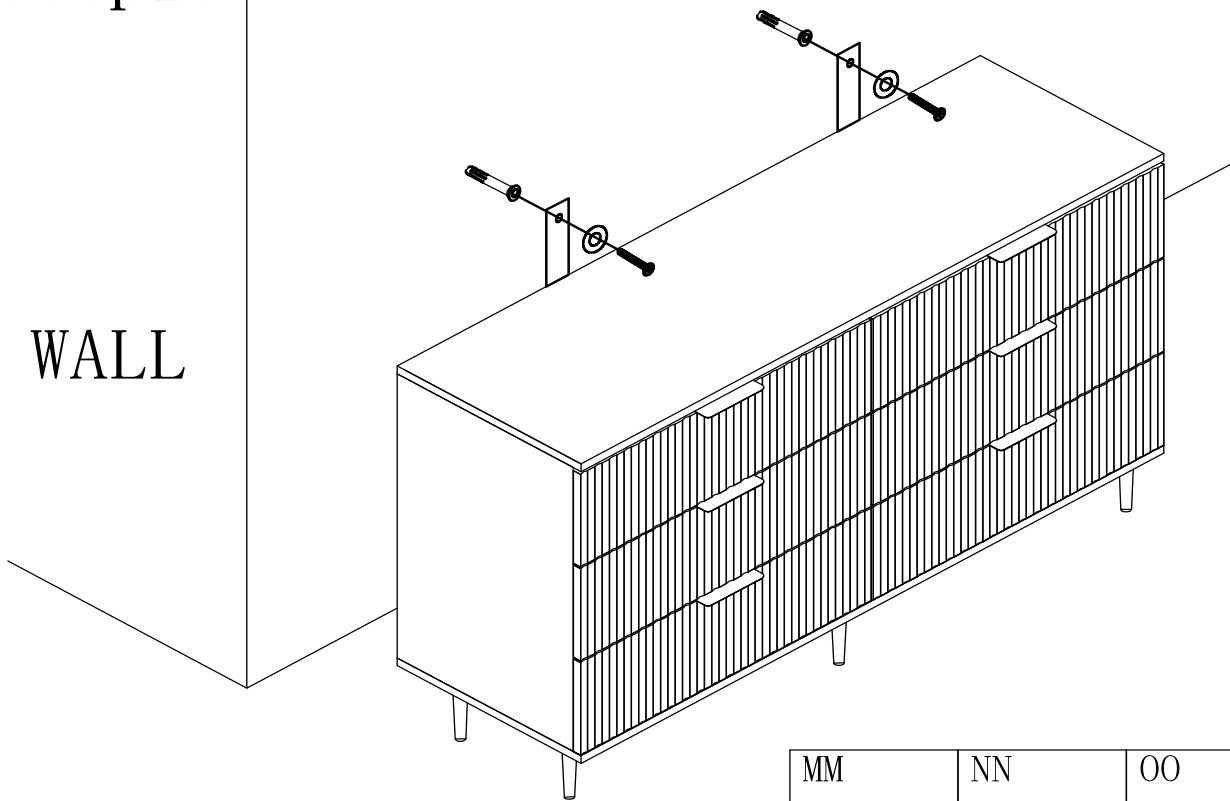
9




# Step15



# Step16

WALL



MM	NN	OO
 28mm		
x2	x2	x2