

CARE AND MAINTENANCE

Wipe clean with a soft, dry cloth. The seat board can be cleaned with a mild cleaner. Test the cleaning method on a hidden area before using them over the entire area.

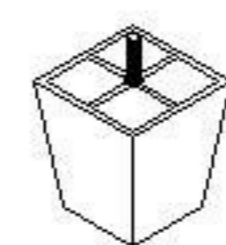
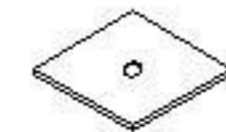
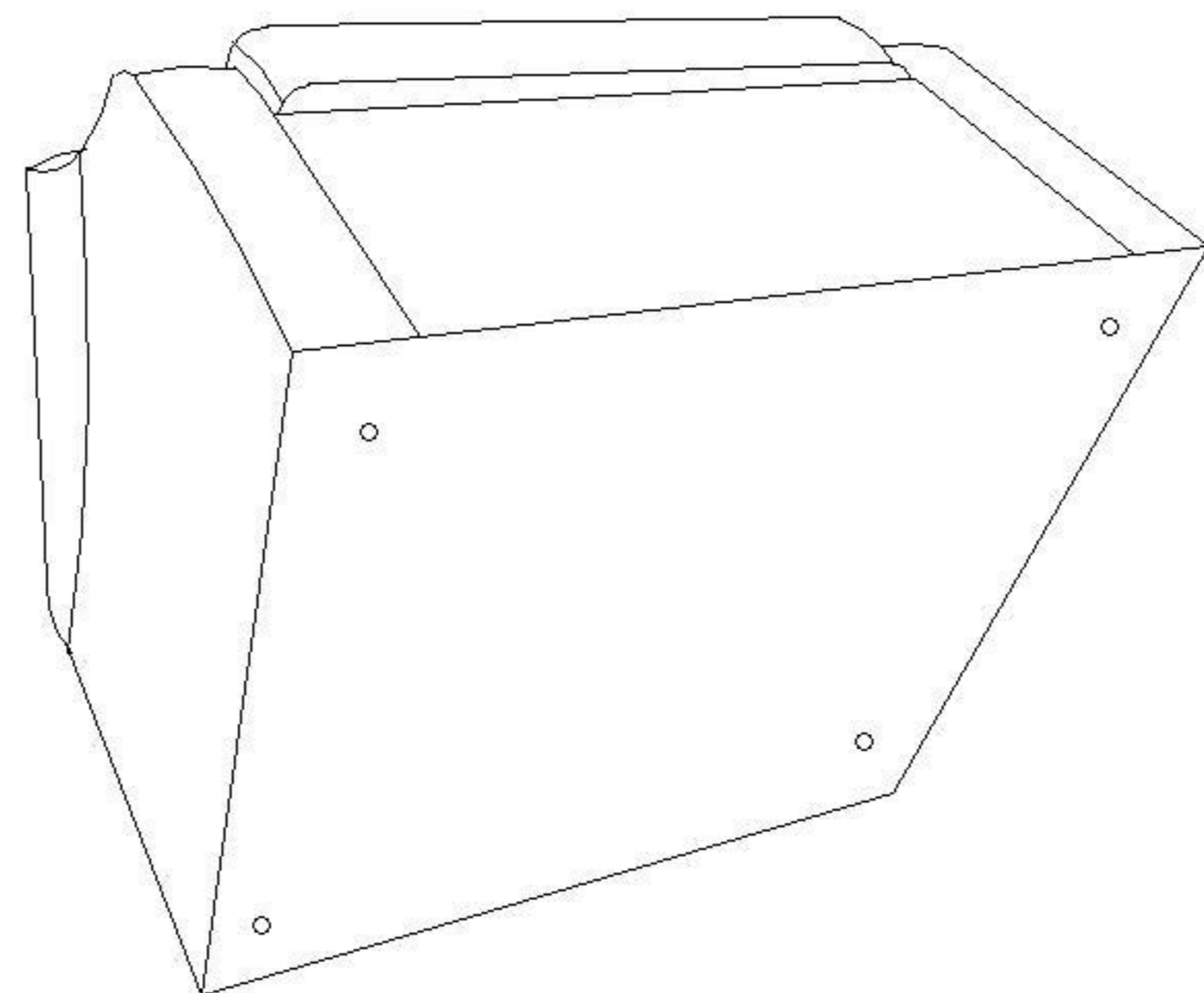
NOTICE

* Please make sure that you have all parts indicated before you begin assembly of this item.

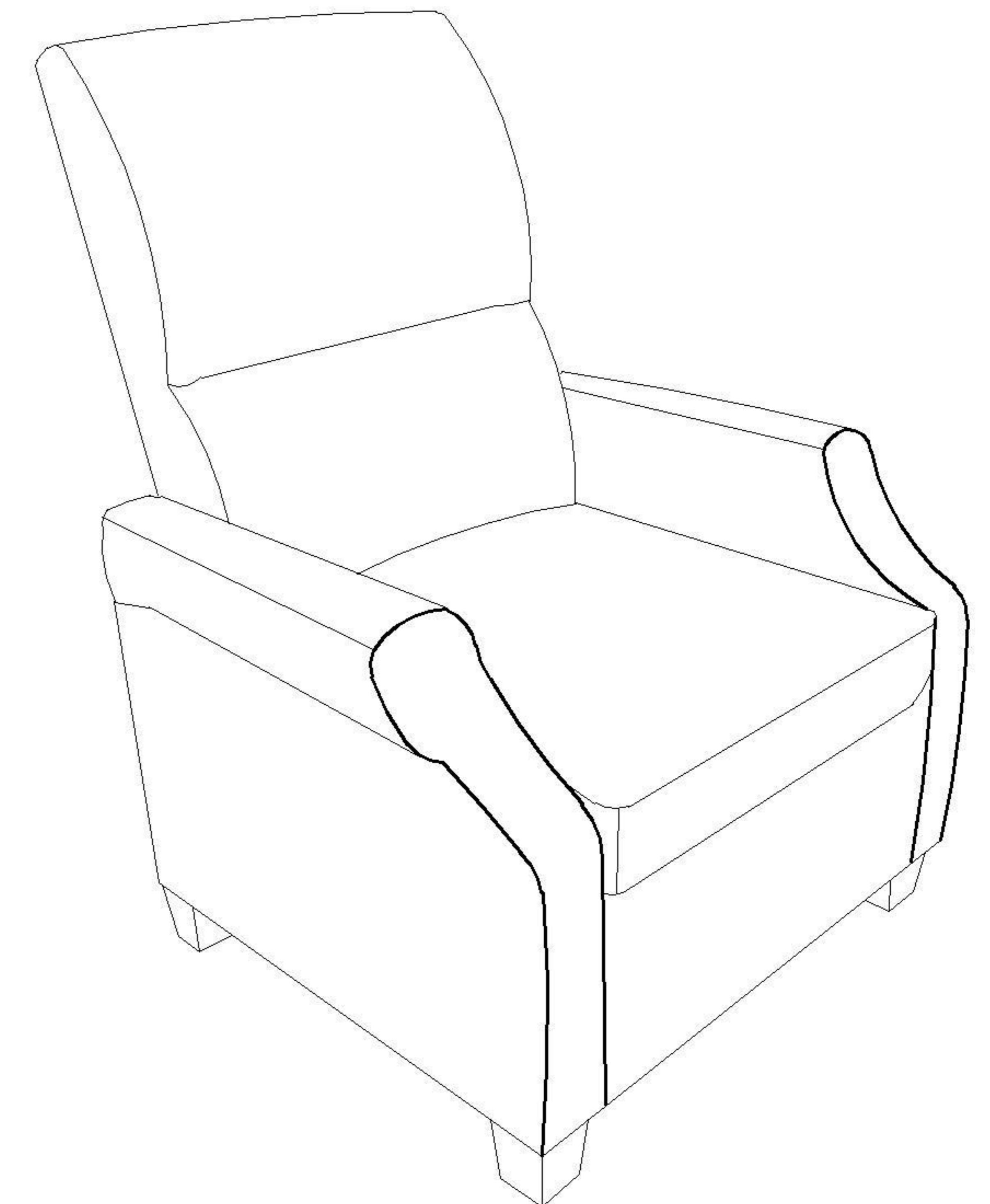
* This item should be assembled on a soft surface to prevent scratching the finish during assembly.

* This item may require periodic tightening.

Part List and Hardware List

Piece	Description	Picture	Quantity
A	PLASTIC LEG		4 X
B	PLASTIC PLATE		4 X
C	CUSHION		1 X

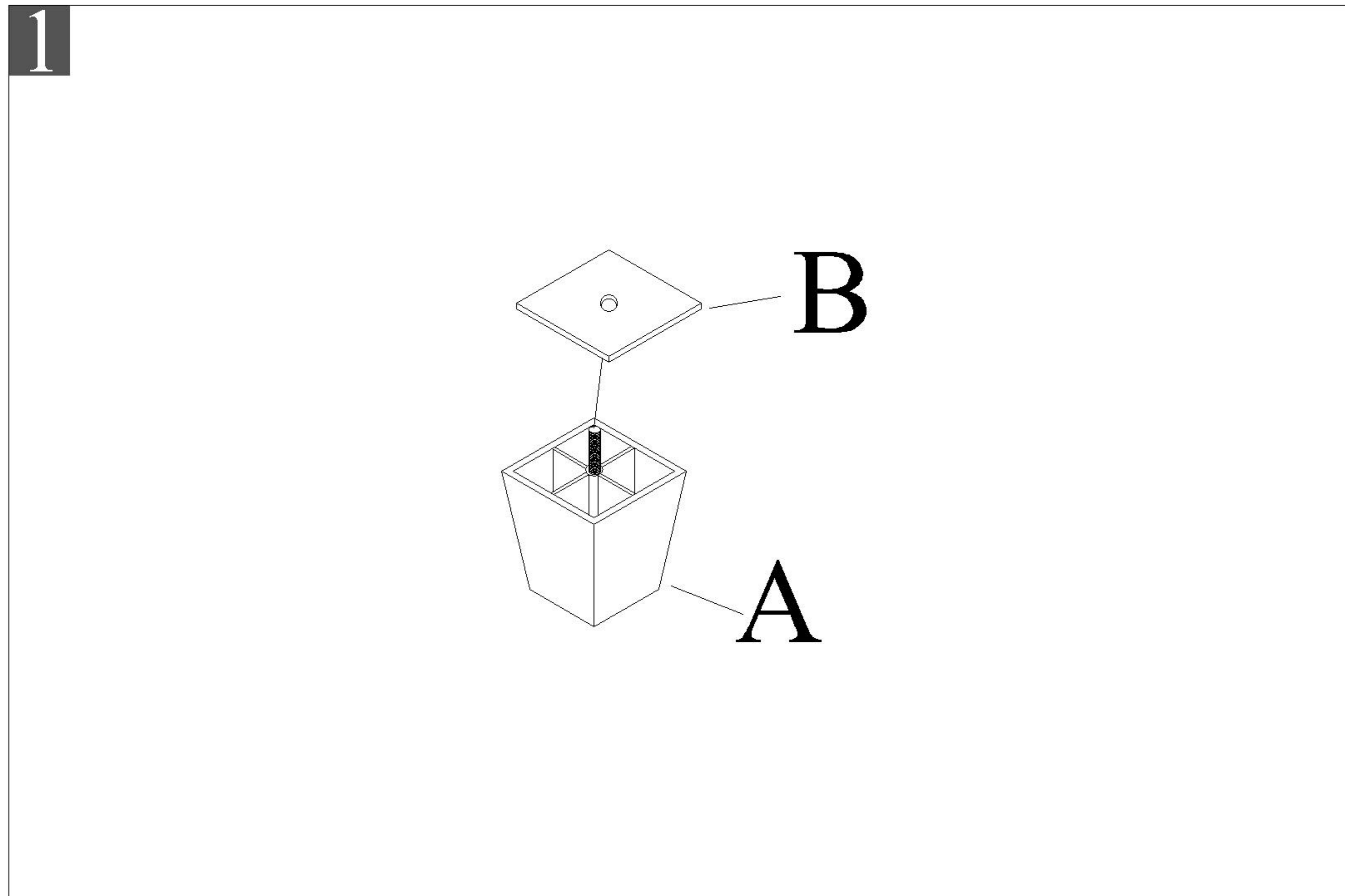
Product Dimensions:31"W*34"D*40-1/2"H



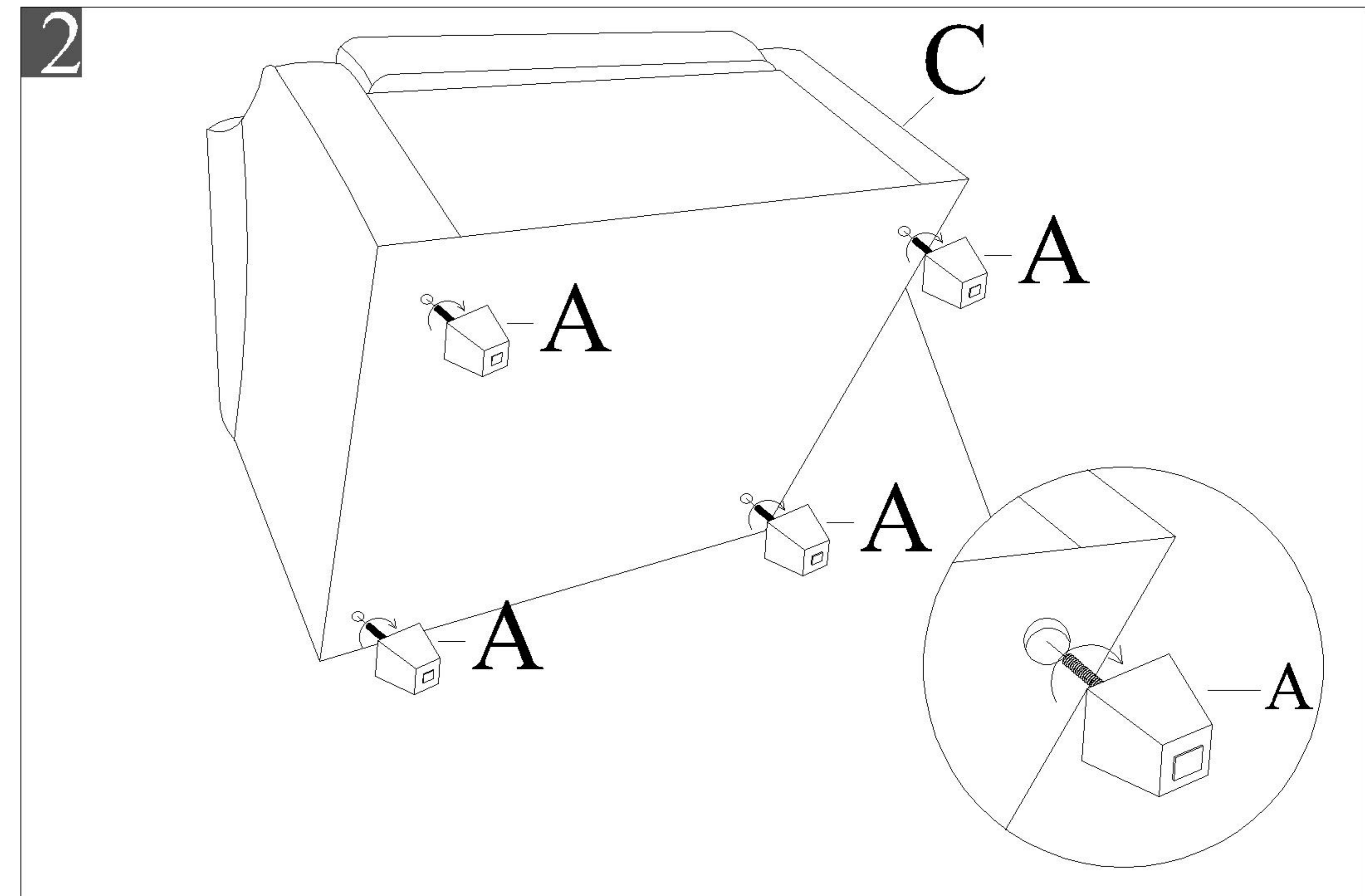
PREPARATION

Before beginning assembly of product, make sure all parts are present. Compare parts with package contents list and hardware contents list. If any part is missing or damaged, do not attempt to assemble the product.

Estimated Assembly Time: 2 minutes.



Step 1:
Assemble plastic plate "B"
with the plastic leg "A".



Step 2:
Attach the 4 legs (part A with B)
to the bottom of left/right armrest till legs are
screwed tight & positioned aligned.