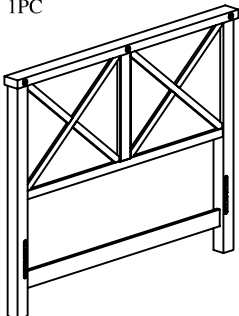
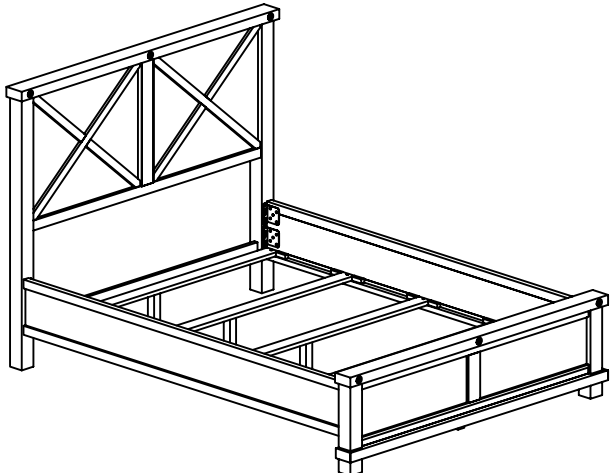
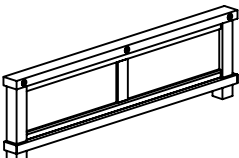
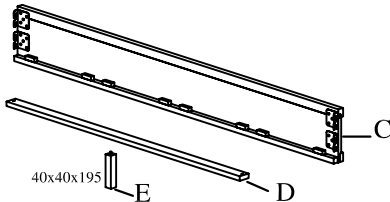




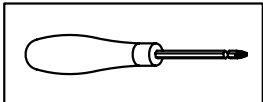


QUEEN BED

ASSEMBLY INSTRUCTIONS

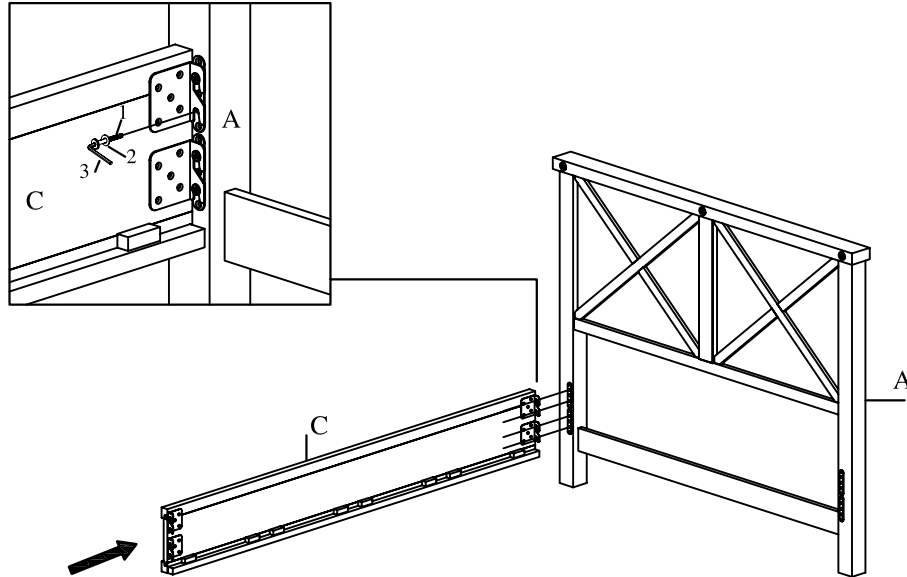
| | |
|--|---|
| <p>BOX#1 A. HEADBOARD 1PC</p>  | <p>QUEEN BED ASSEMBLED</p>  |
| <p>BOX#2 B. FOOTBOARD 1PC</p>  | |
| <p>BOX#3 C. SIDERAILS 2PCS D. BED SLATS 5PCS E. LEG SUPPORTS 5PCS</p>  | |

HARDWARE ARE PACKED IN BOX

| | | | | | | | | | | | |
|--|--------------------------|-----------|----------|---|-----------|---|--------------------|---|----------|--------------------|-----------|
| 1 | ALLEN BOLT M8 x 30 MM | 16 PCS | 2 | WASHER M8 | 16 PCS | 3 | ALLEN KEY (4MM) | 02 PCS | 4 | SCREW M4 x 30MM | 10 PCS |
|  | | | |  | |  | |  | | | |
| <p>TOOL REQUIRED</p> <p>PHILLS HEAD SCREW DRIVER NOT PROVIDED</p> | | | | | | | | | | | |
|  | | | | | | | | | | | |

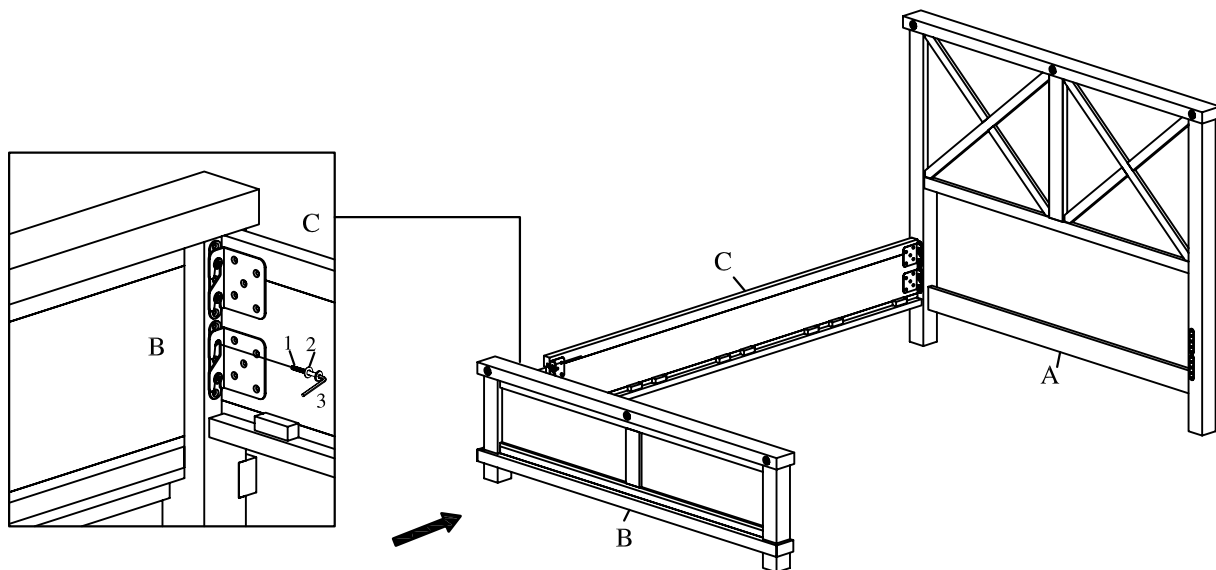
STEP 1:

FIX ONE OF THE SIDERAILS (C) TO THE HEADBOARD (A) USING ALLEN KEY (3) AND ALLEN BOLT (1) AND WASHERS (2).
DO NOT TIGHTEN BOLTS COMPLETELY UNTIL ASSEMBLY IS COMPLETED



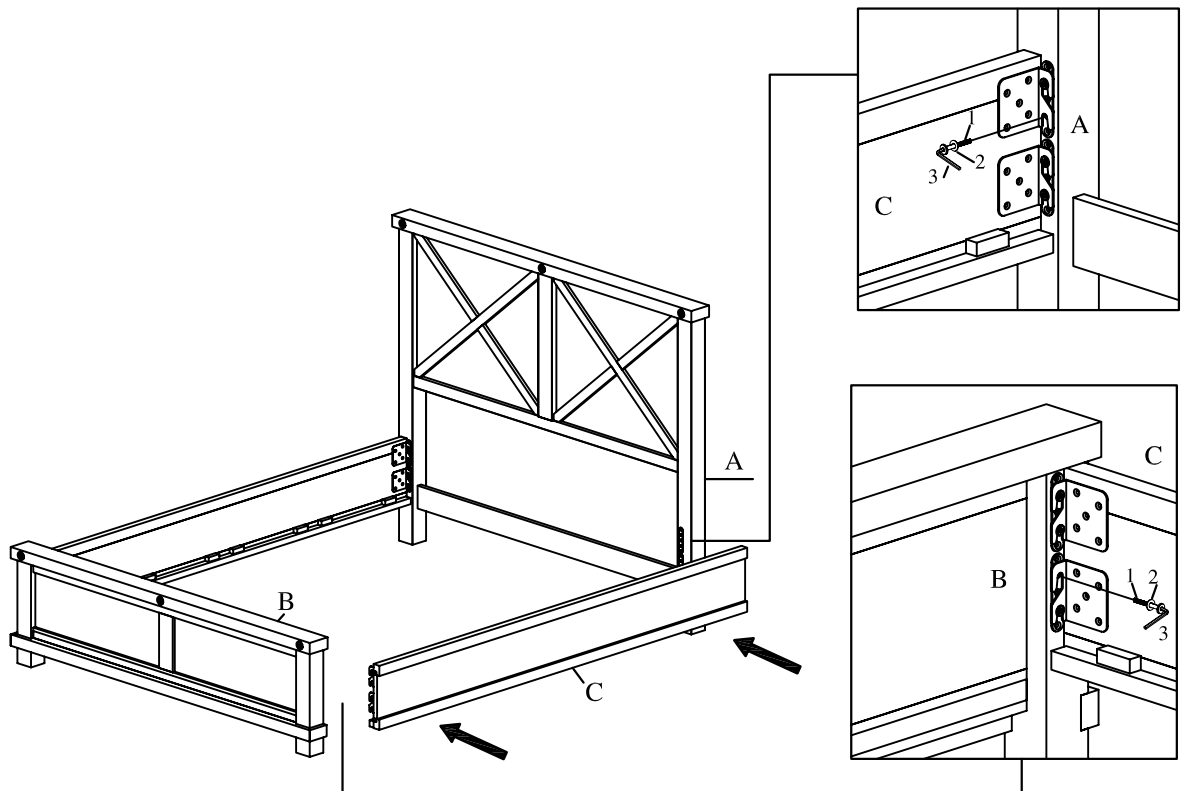
STEP 2:

FIX THE OTHER END OF THE SIDERAILS (C) TO THE FOOTBOARD (B) USING ALLEN KEY (3) AND ALLEN BOLT (1) AND WASHERS (2).
DO NOT TIGHTEN BOLTS COMPLETELY UNTIL ASSEMBLY IS COMPLETED



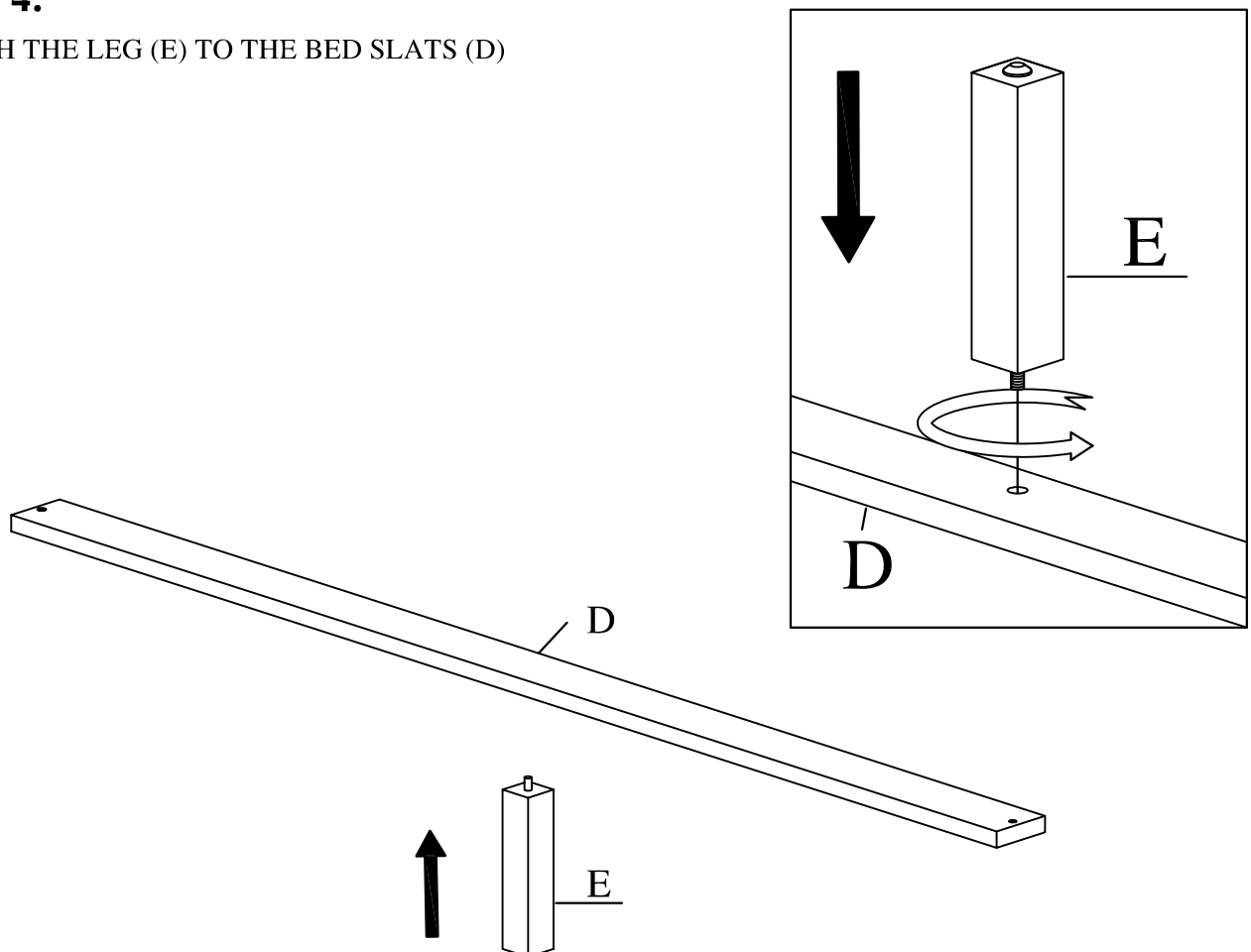
STEP 3:

FIX ONE OF THE SIDERAILS (C) TO THE HEADBOARD (A) AND FOOTBOARD (B) USING ALLEN KEY (3) AND ALLEN BOLT (1) AND WASHERS (2). DO NOT TIGHTEN BOLTS COMPLETELY UNTIL ASSEMBLY IS COMPLETED



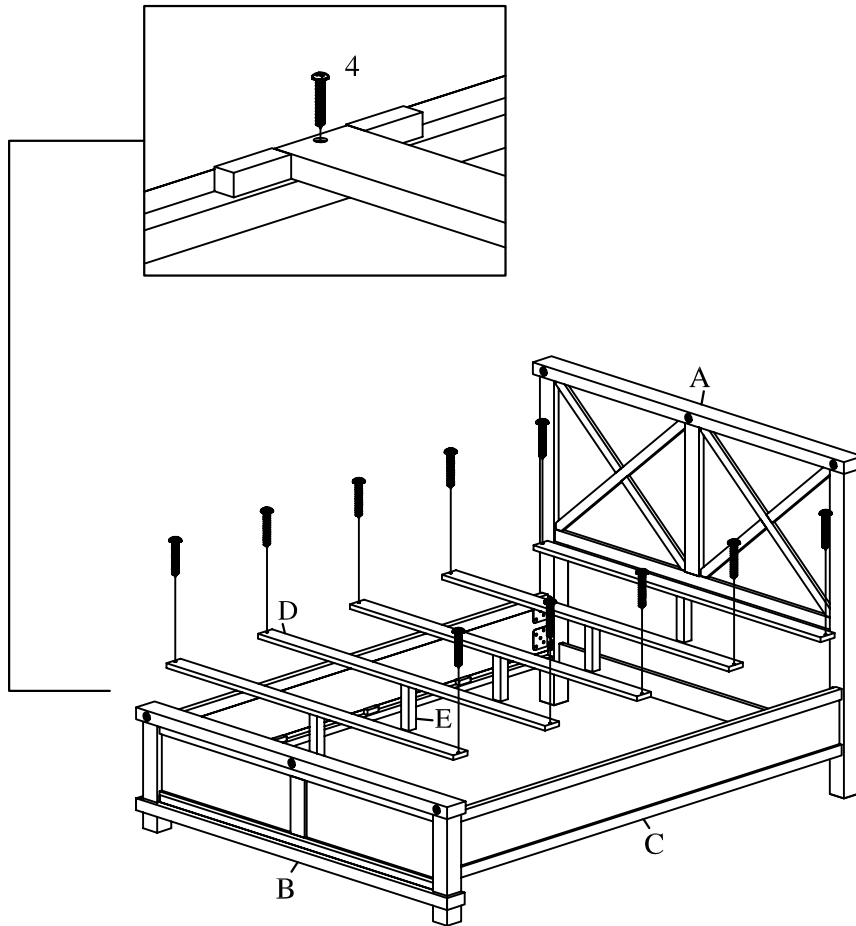
STEP 4:

ATTACH THE LEG (E) TO THE BED SLATS (D)



STEP 5:

FOLLOW THE ILLUSTRATION TO PLACE FIVE BED SLATS (D) ON THE BED FRAME. AND SECURE THE BED SLATS (D) USING WOOD SCREWS (4). USE THE PILOT HOLES ON THE SIDERAILS (C) AS YOUR REFERENCE FOR EASY ASSEMBLY.



STEP 6:

ASSEMBLY COMPLETE

