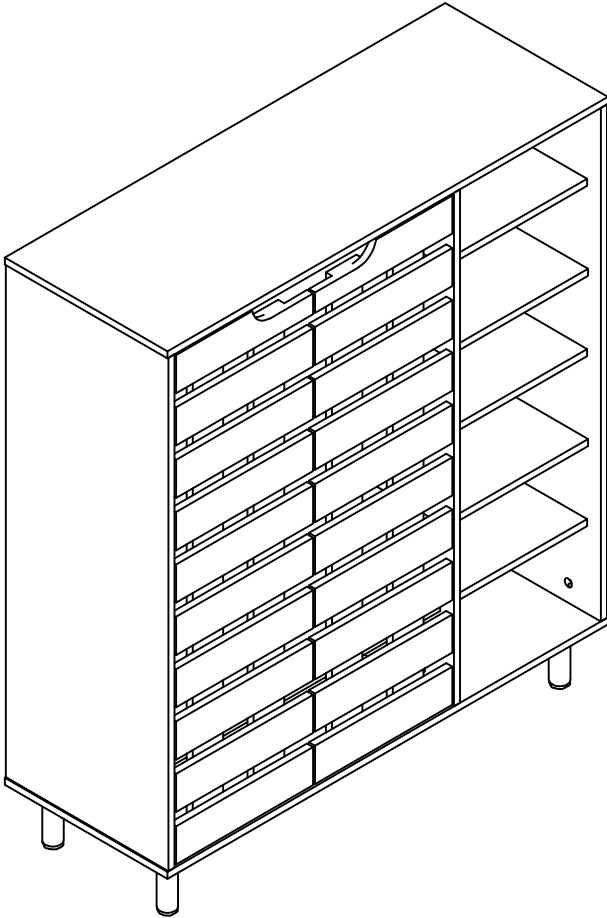
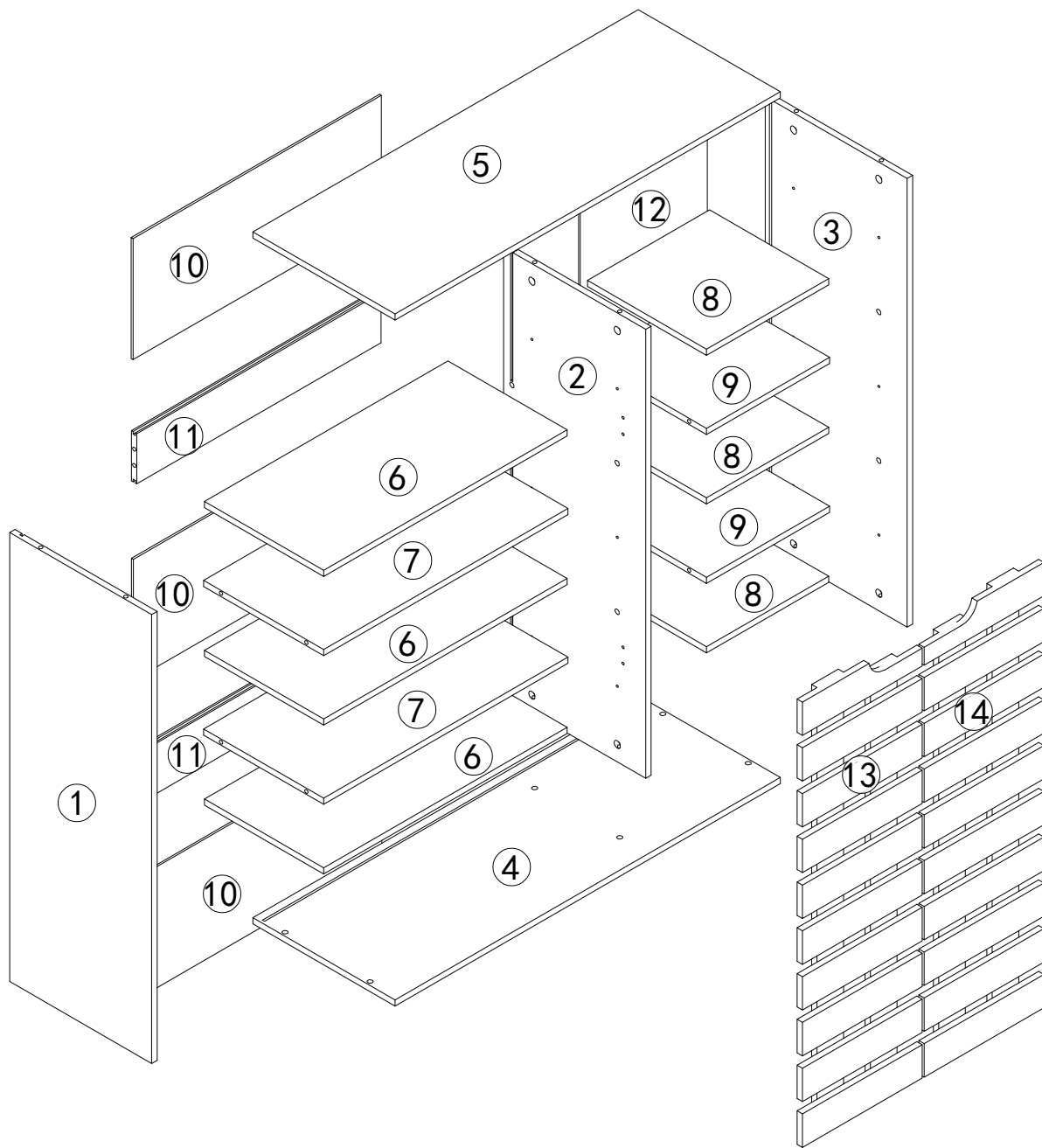


INSTALLATION & ASSEMBLY

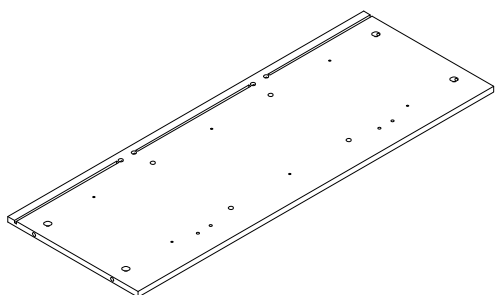


SHOE

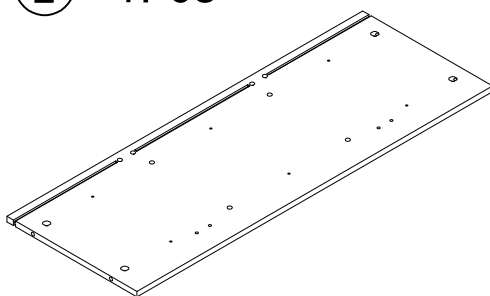
ASSEMBLY INSTRUCTION



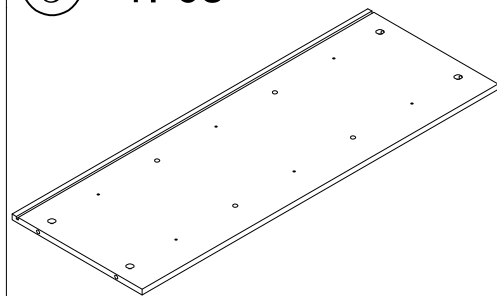
① 1PCS



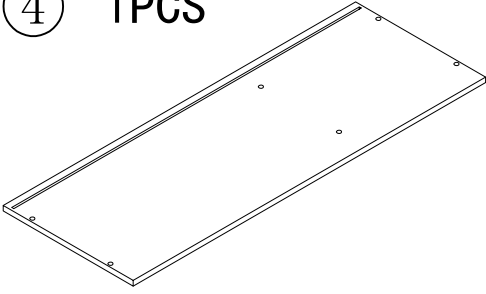
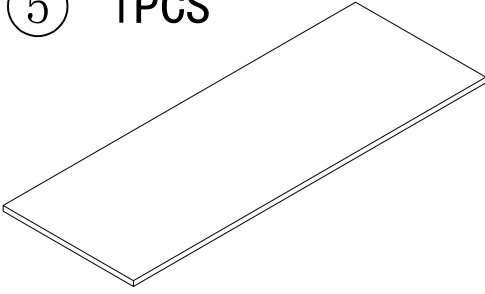
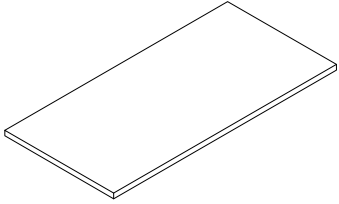
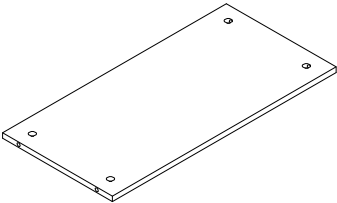
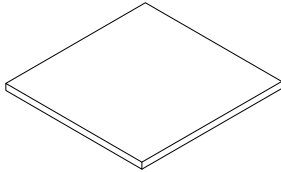
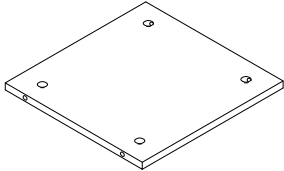
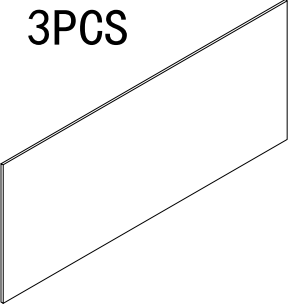
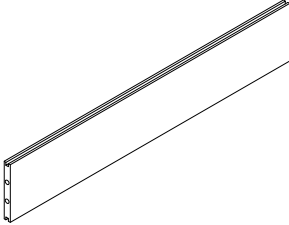
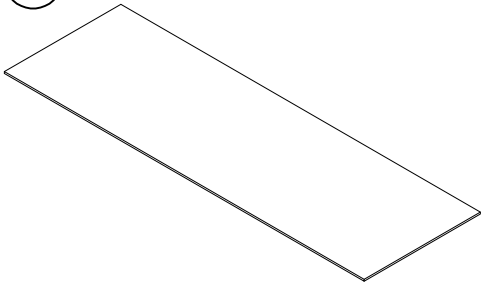
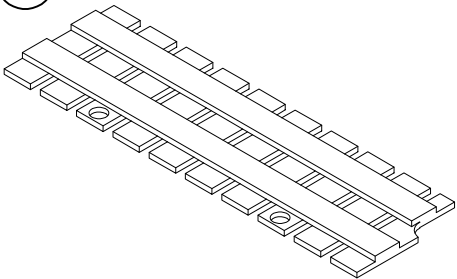
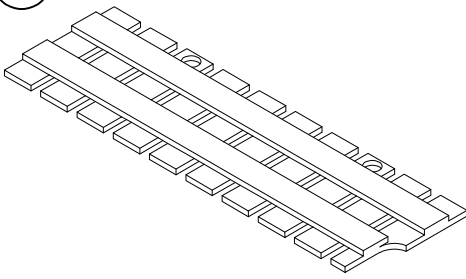
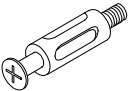

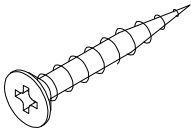
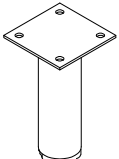
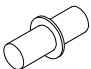
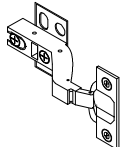
② 1PCS



③ 1PCS

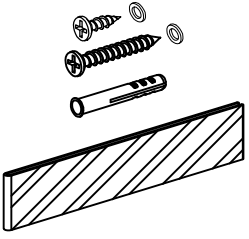


ASSEMBLY INSTRUCTION

<p>④ 1PCS</p> 	<p>⑤ 1PCS</p> 	<p>⑥ 3PCS</p> 
<p>⑦ 2PCS</p> 	<p>⑧ 3PCS</p> 	<p>⑨ 2PCS</p> 
<p>⑩ 3PCS</p> 	<p>⑪ 2PCS</p> 	<p>⑫ 1PCS</p> 
<p>⑬ 1PCS</p> 	<p>⑭ 1PCS</p> 	
<p>A 36PCS</p>  <p>M6X34</p>	<p>B 36PCS</p>  <p>φ15X8</p>	<p>C 62PCS</p>  <p>3.5X12</p>
<p>D 5PCS</p>  <p>H60</p>	<p>E 24PCS</p> 	<p>F 4PCS</p> 

ASSEMBLY INSTRUCTION

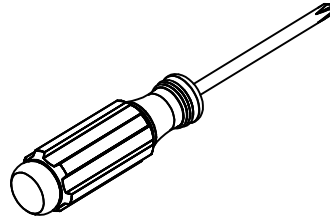
G 1PCS



H 18PCS



TOOL

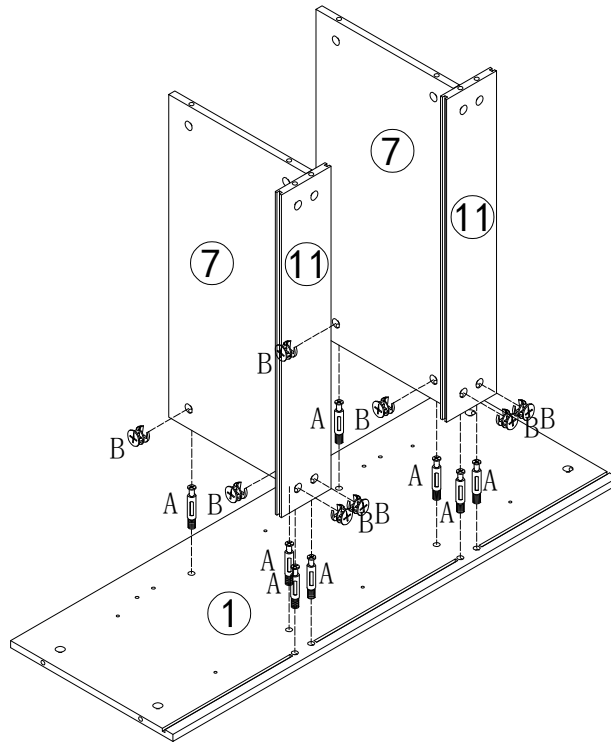


STEP1

A 8PCS

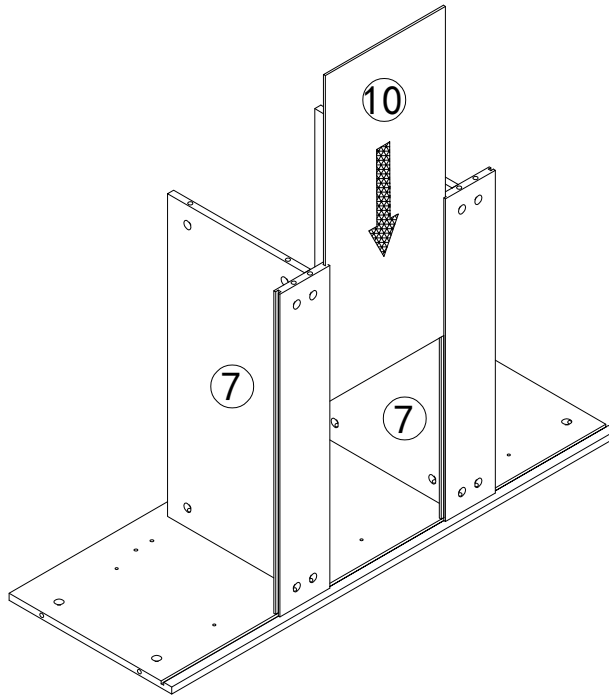


B 8PCS

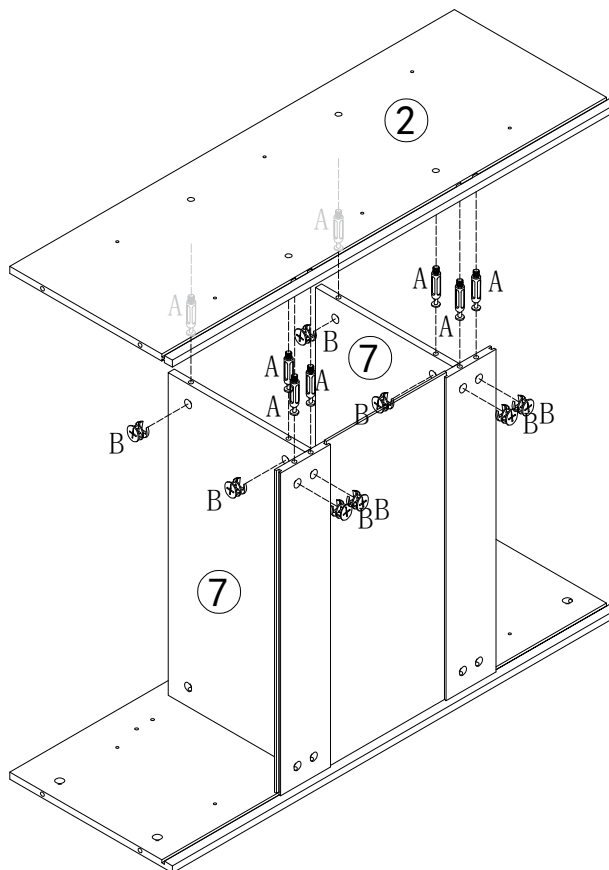


ASSEMBLY INSTRUCTION

STEP2



STEP3



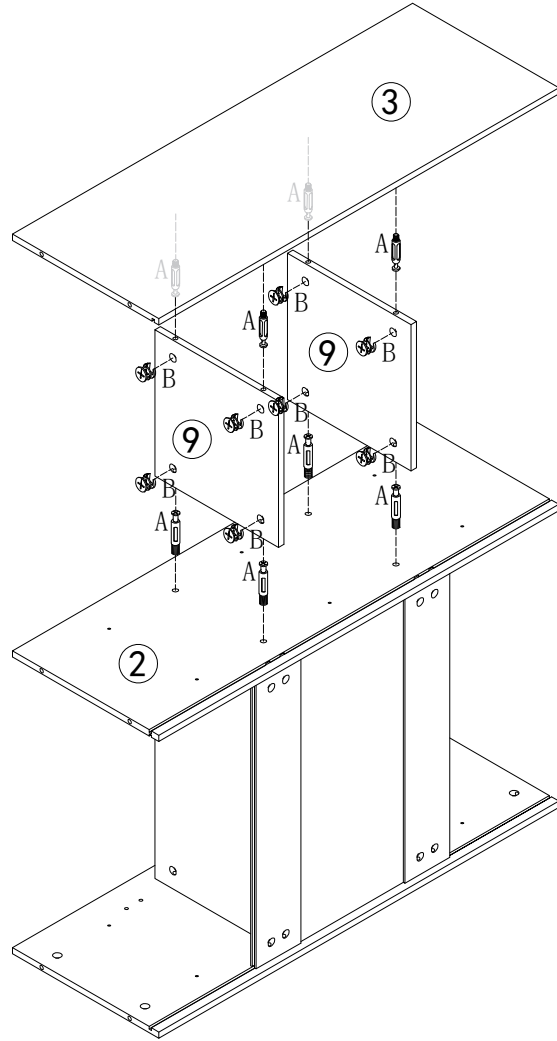
A 8PCS



B 8PCS



STEP4



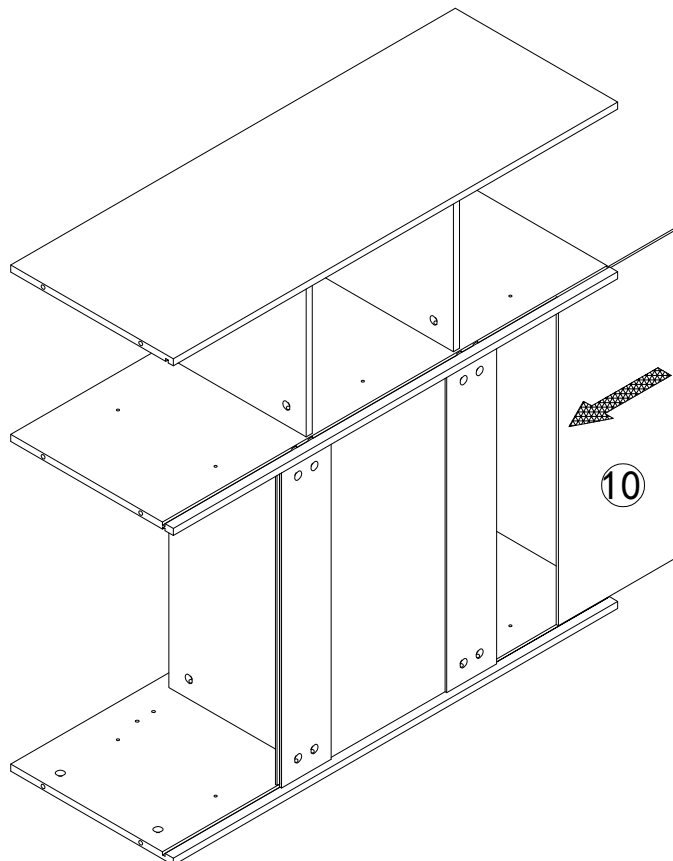
A 8PCS



B 8PCS

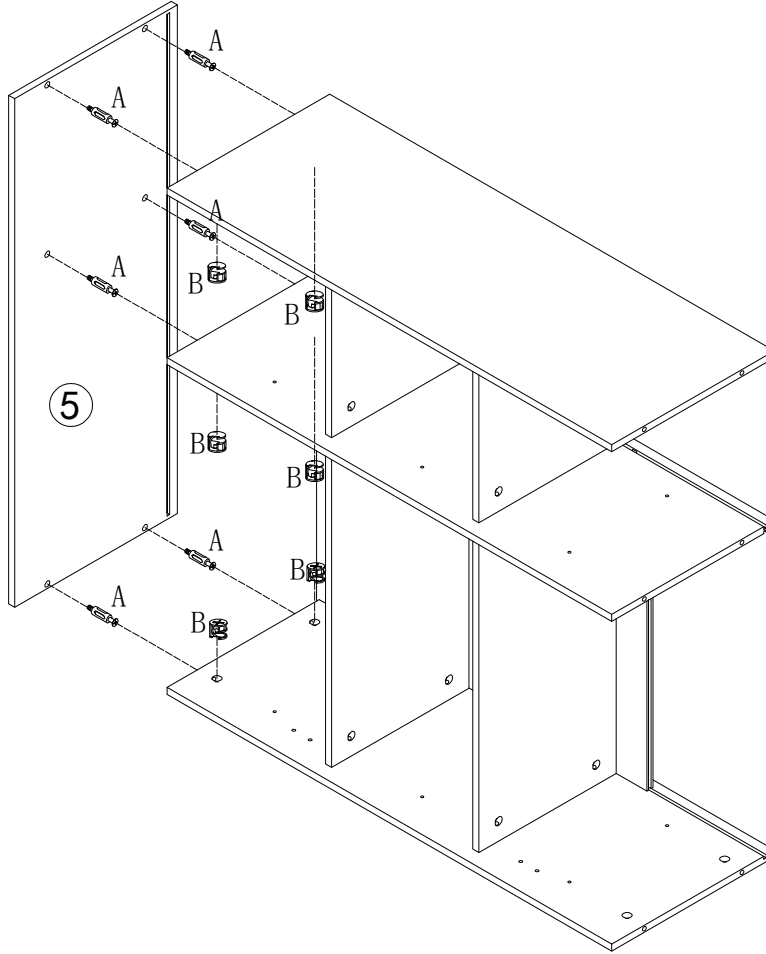


STEP5



ASSEMBLY INSTRUCTION

STEP6



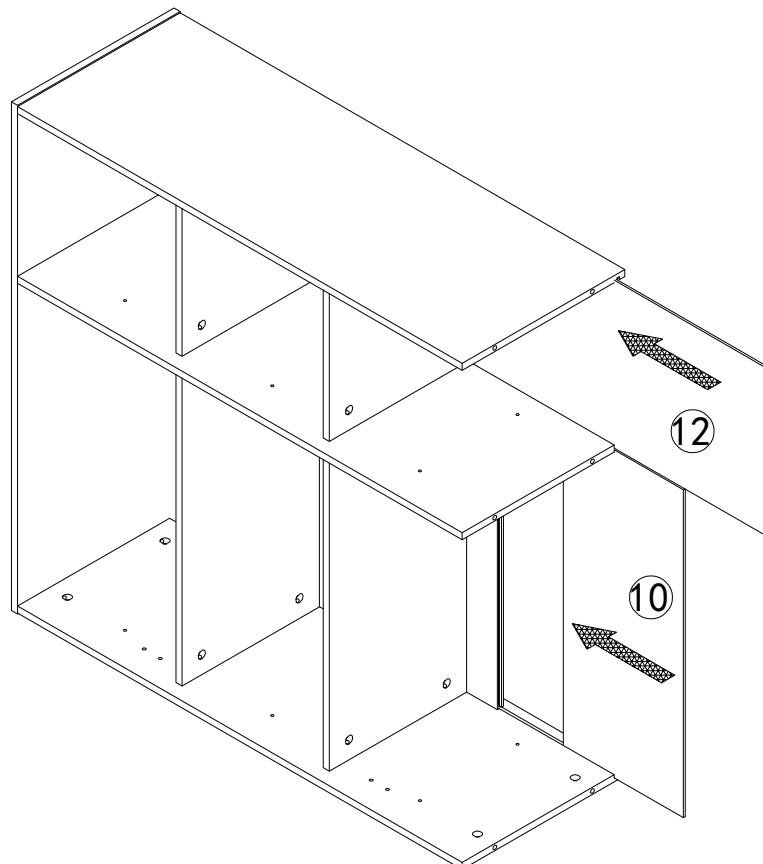
A 6PCS



B 6PCS

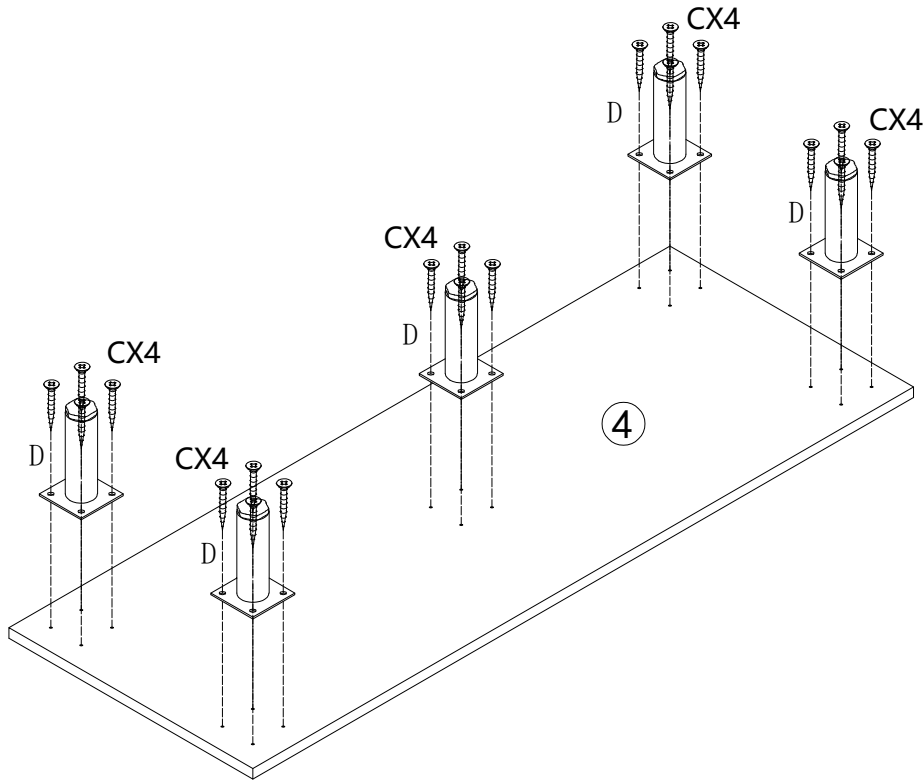


STEP7

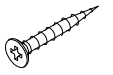


ASSEMBLY INSTRUCTION

STEP8



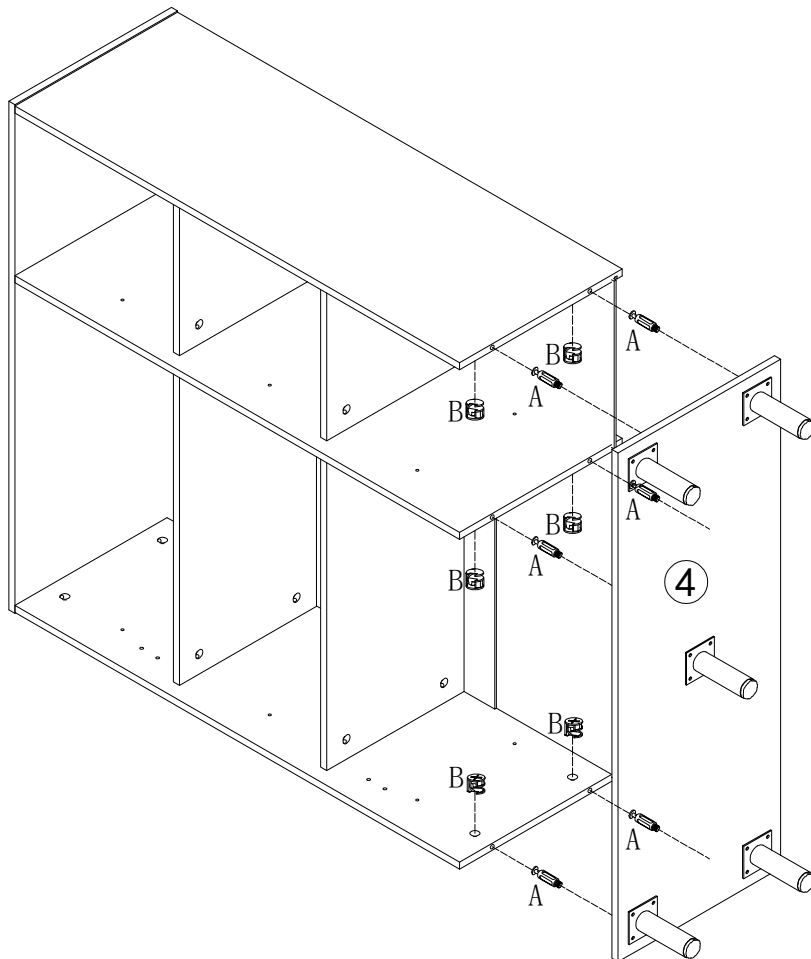
C 20PCS



D 5PCS



STEP9



A 6PCS

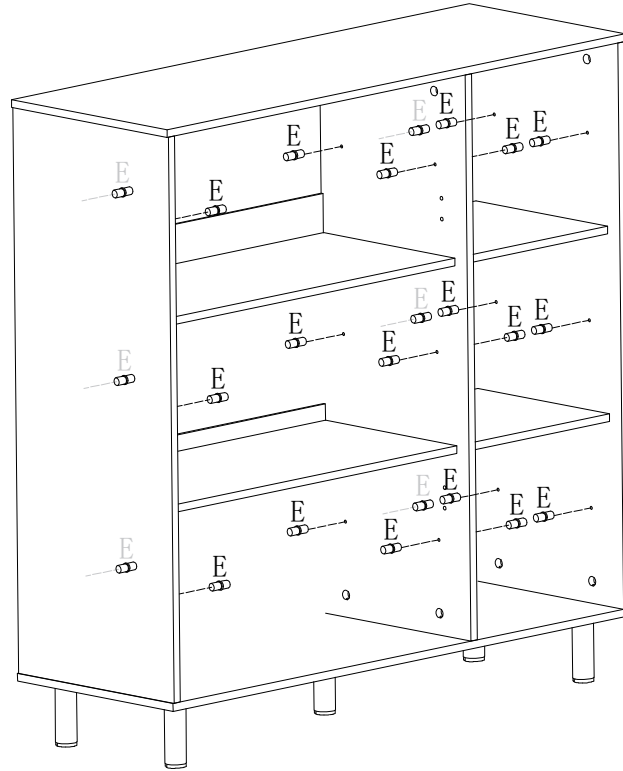


B 6PCS

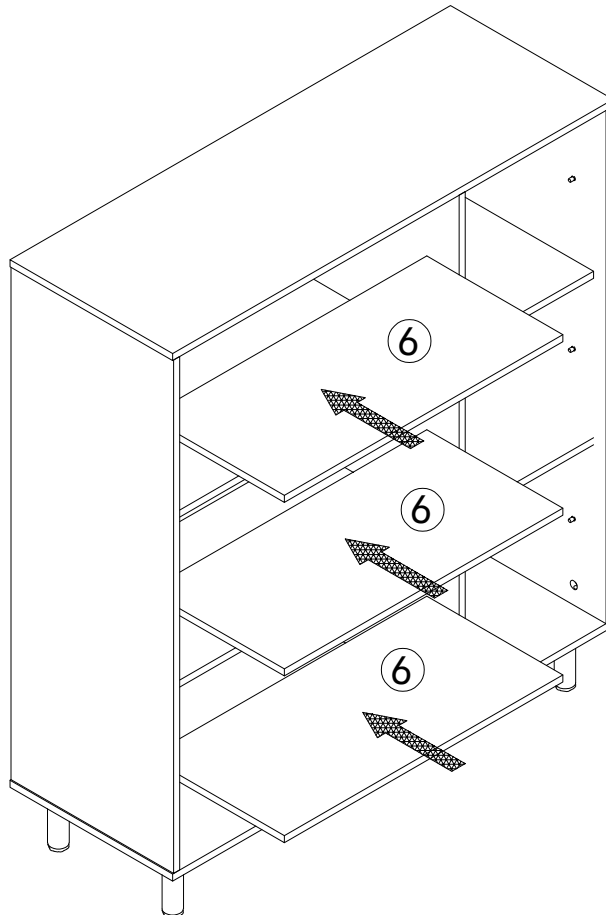


STEP10

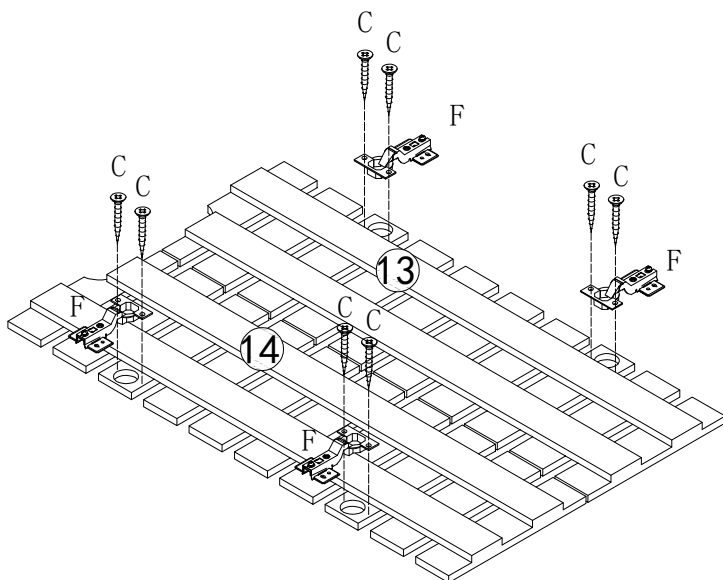
E 24PCS



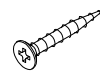
STEP11



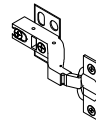
STEP12



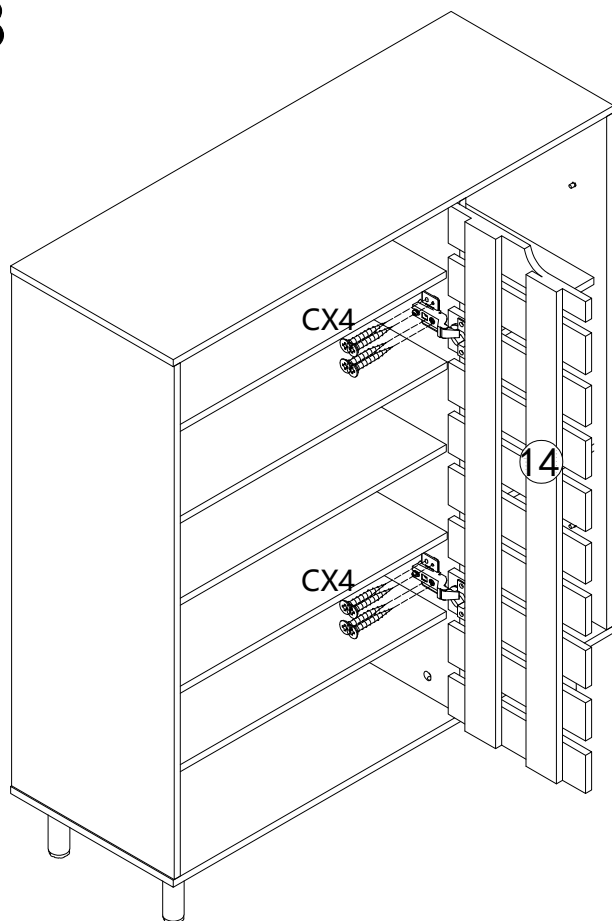
C 8PCS



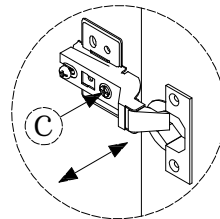
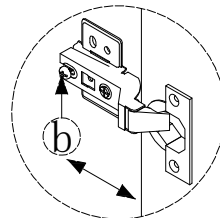
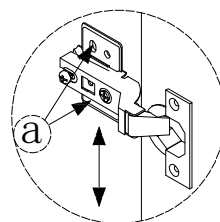
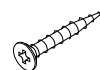
F 4PCS



STEP13

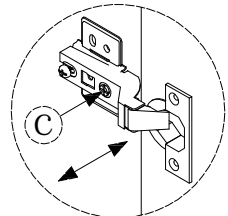
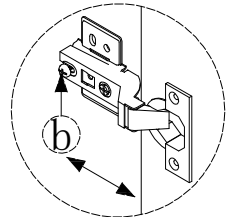
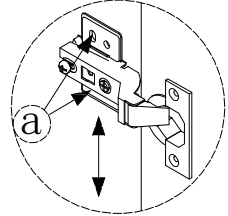
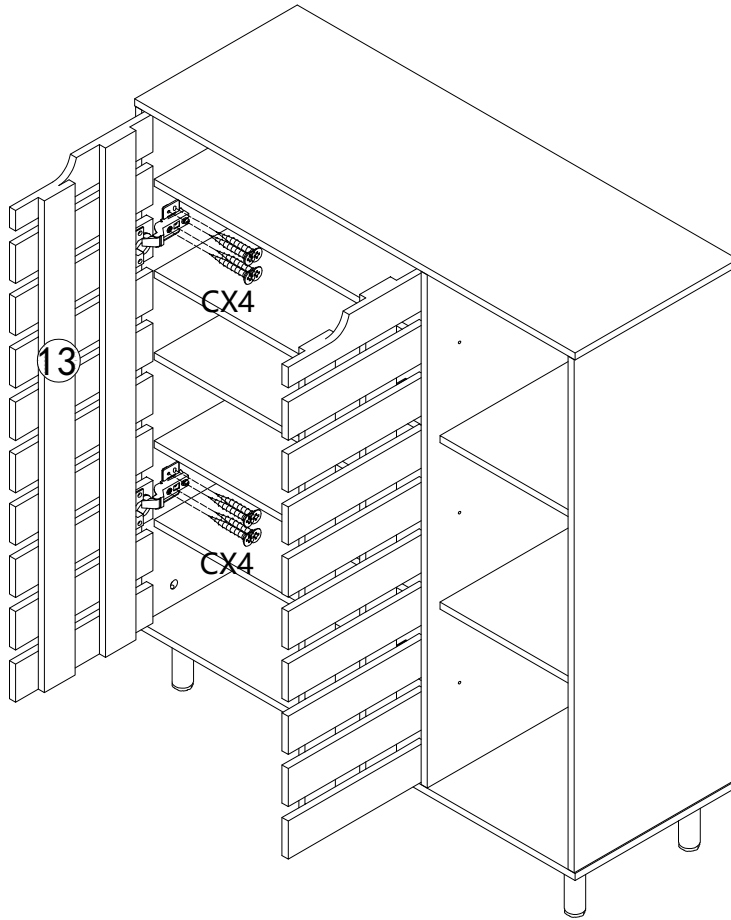
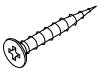


C 8PCS

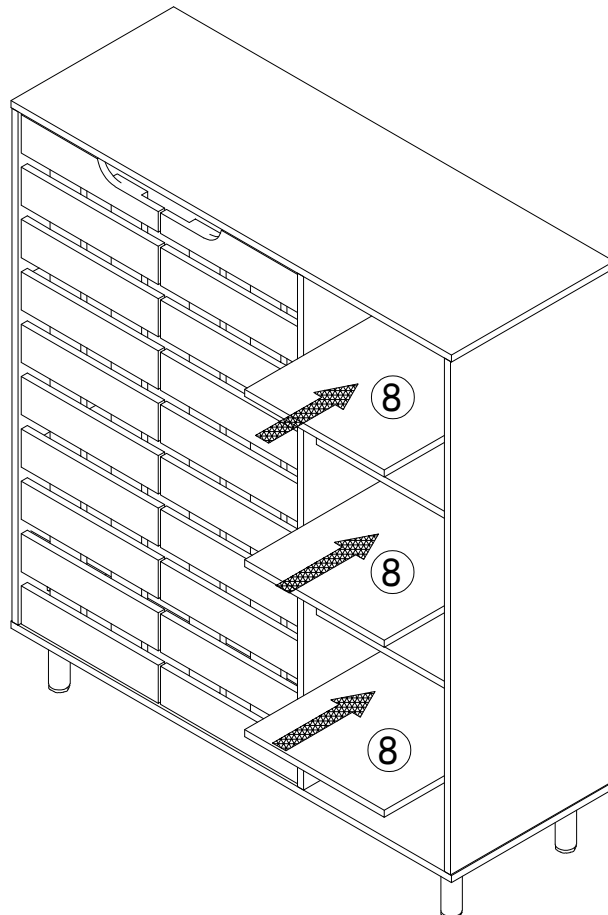


STEP14

C 8PCS

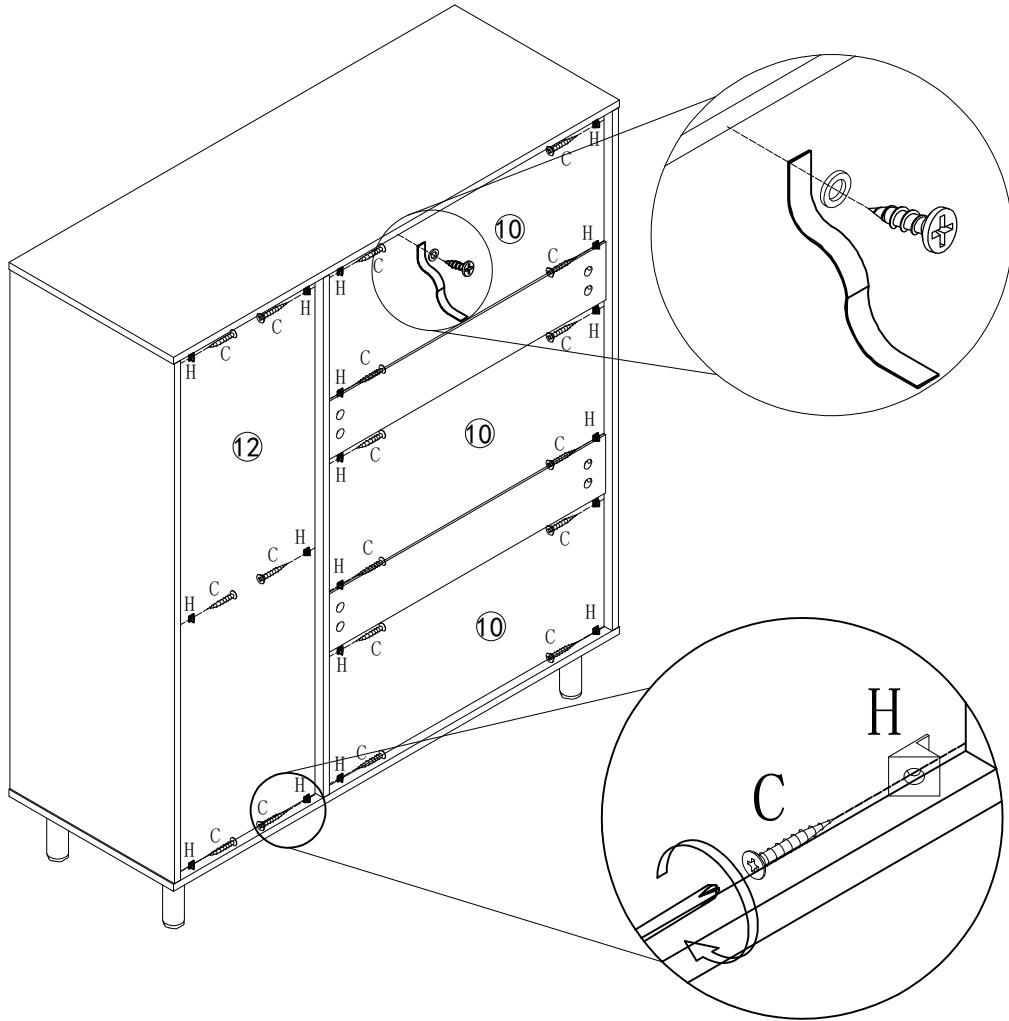


STEP15

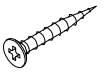


ASSEMBLY INSTRUCTION

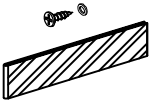
STEP16



C 18PCS



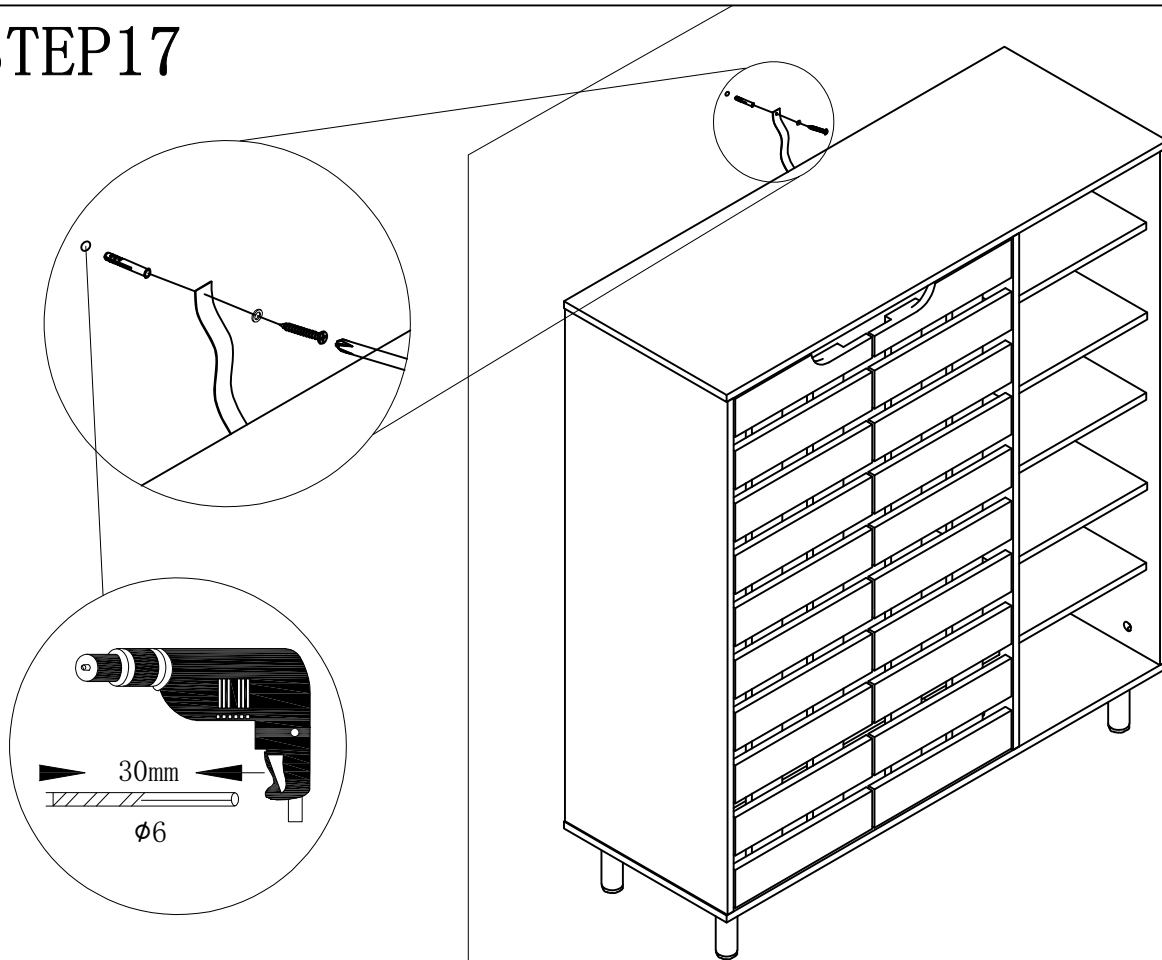
G 1PCS



H 18PCS



STEP17



G 1PCS

