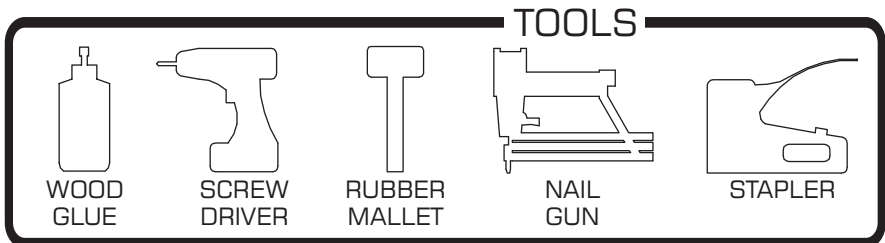
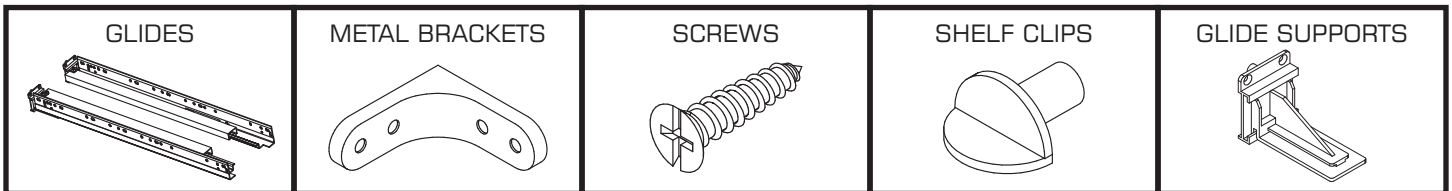
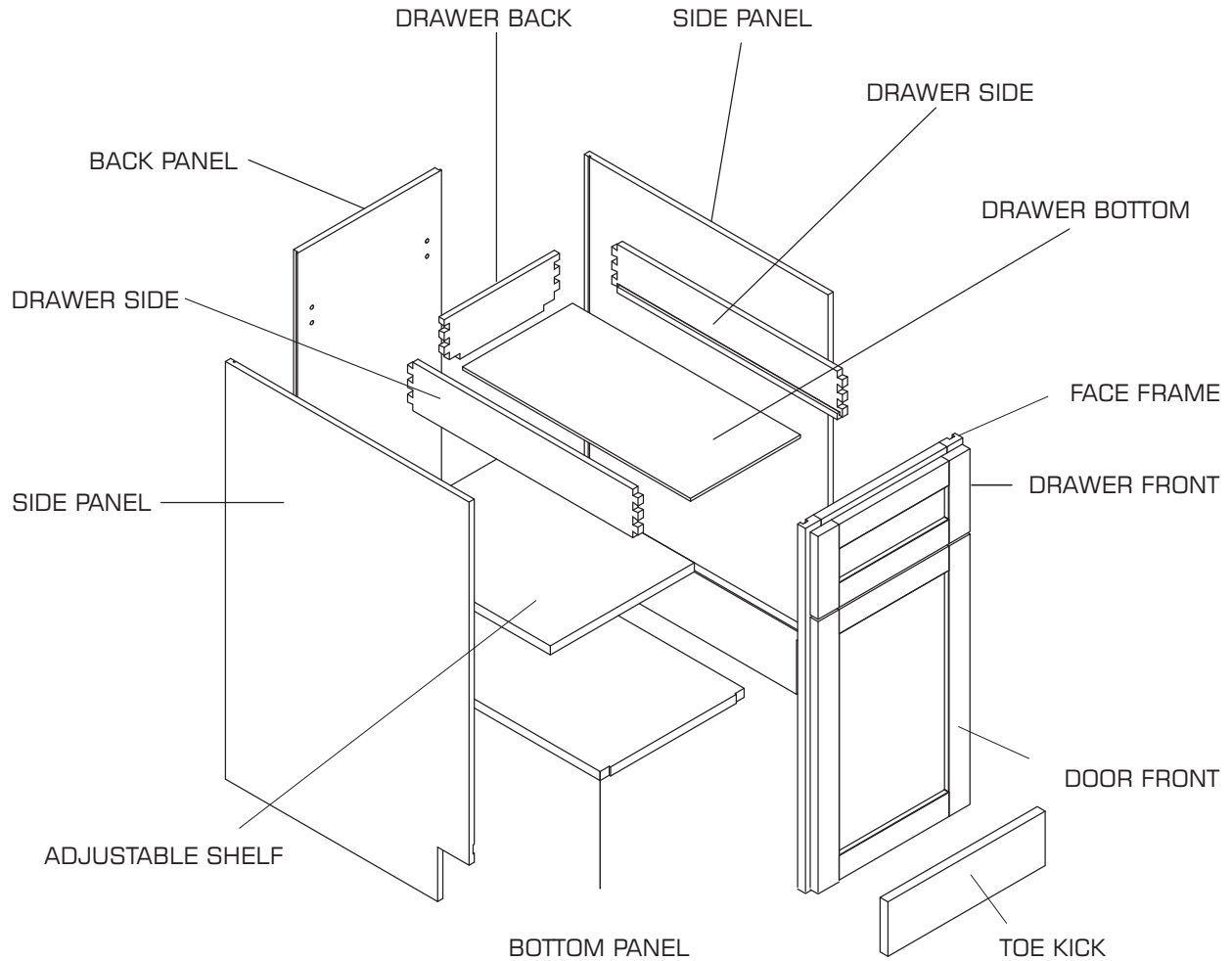




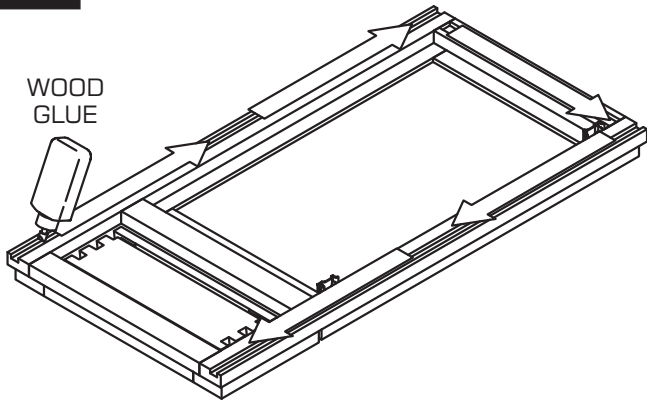
**CABINET ASSEMBLY INSTRUCTIONS**

# ASSEMBLING INSTRUCTIONS - BASE CABINET

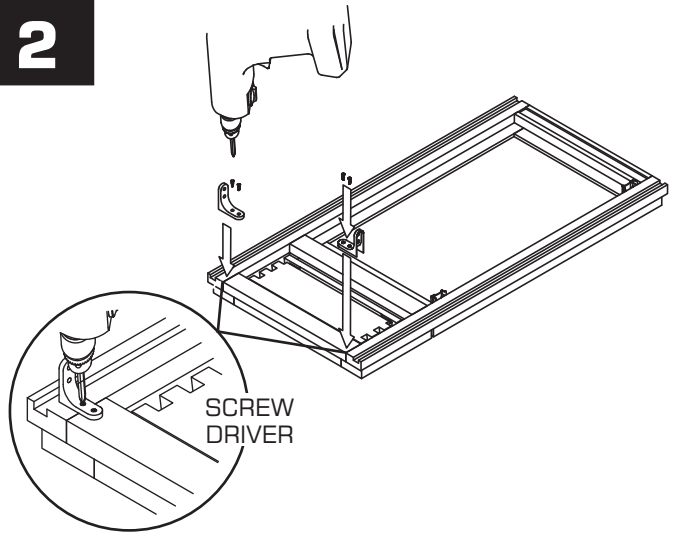
BASE CABINET



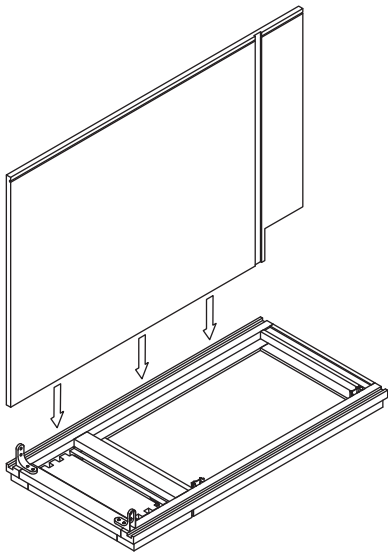
**STEP 1**



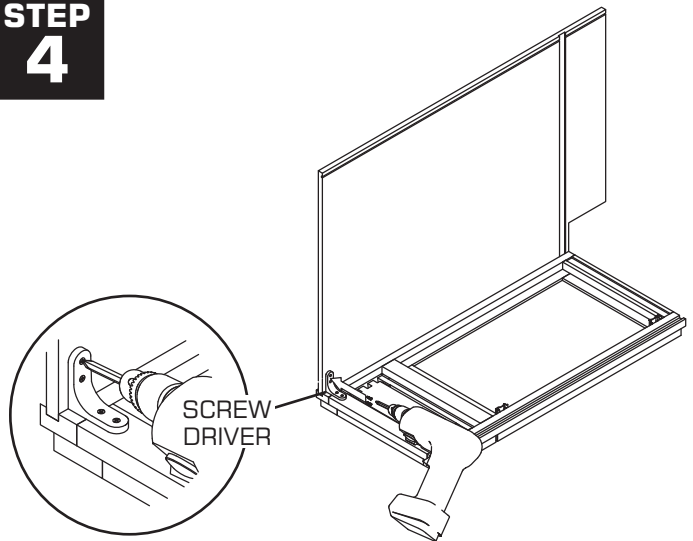
**2**



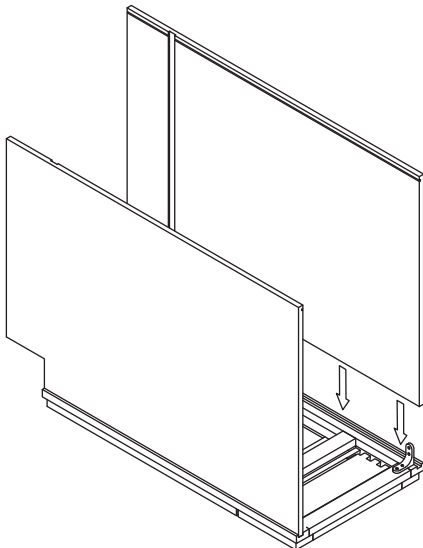
**STEP 3**



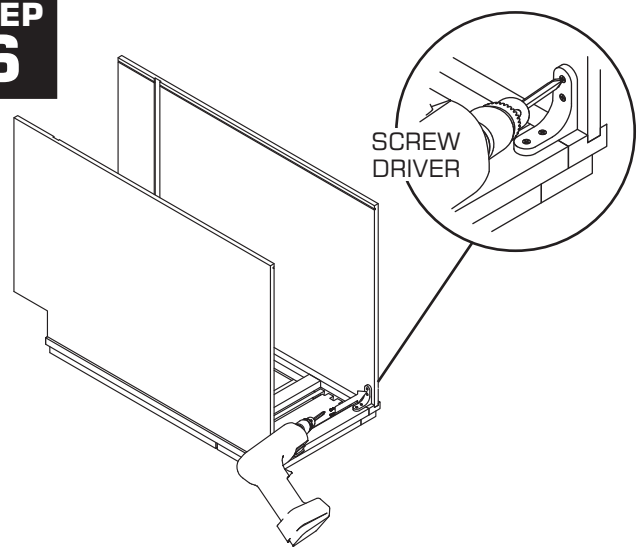
**STEP 4**



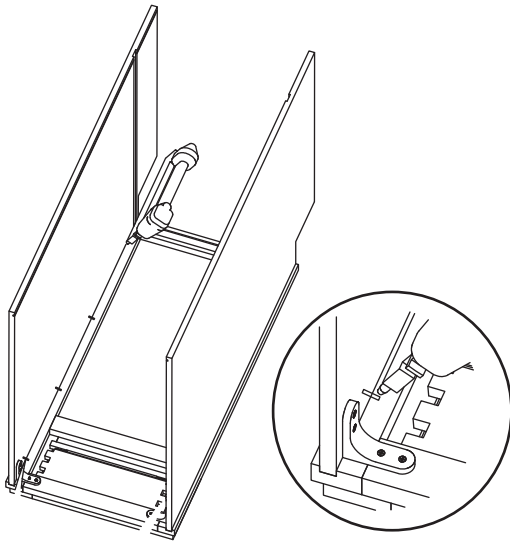
**STEP 5**



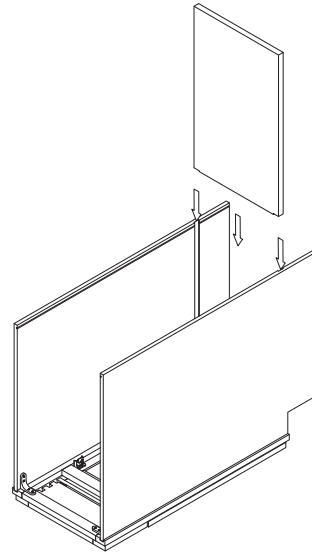
**STEP 6**



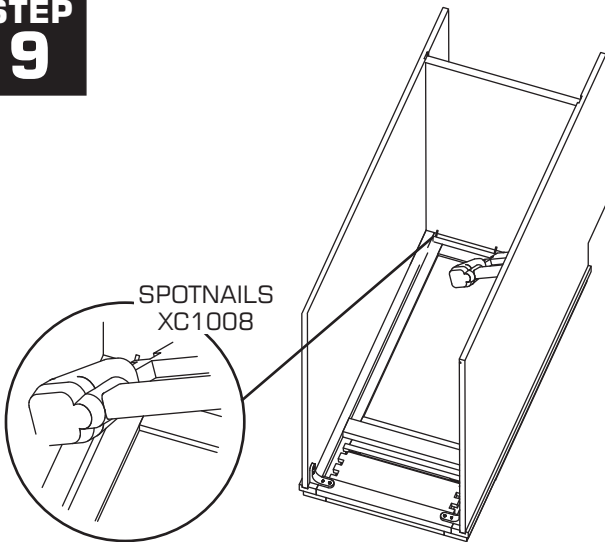
STEP 7



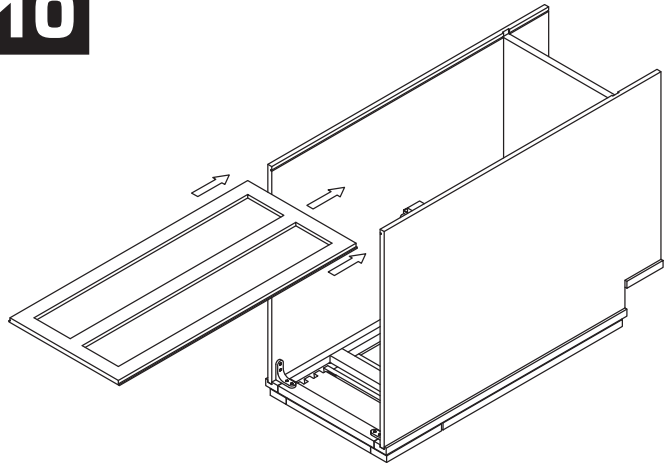
STEP 8



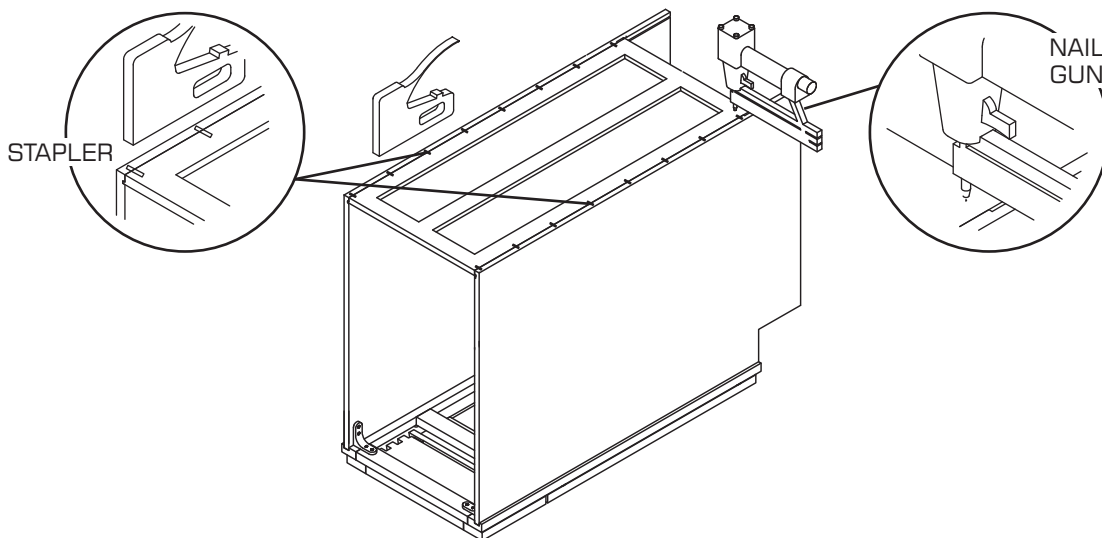
STEP 9



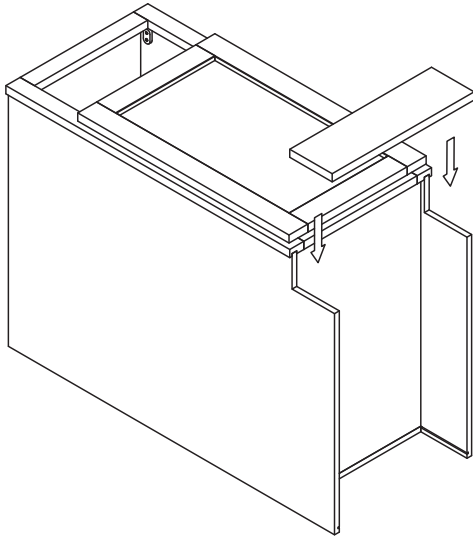
STEP 10



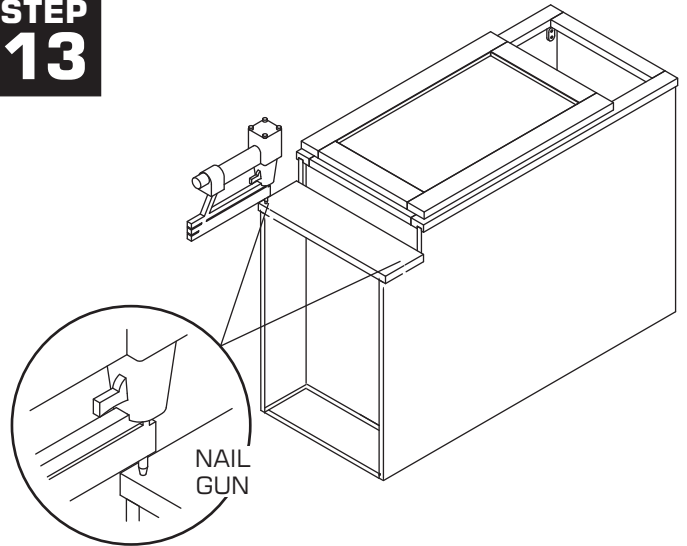
STEP 11



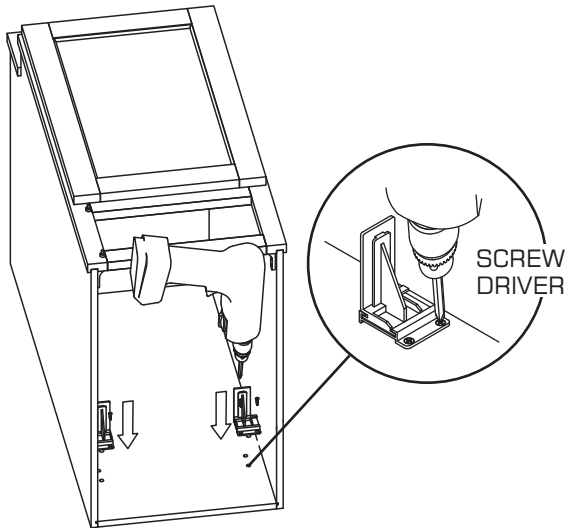
STEP 12



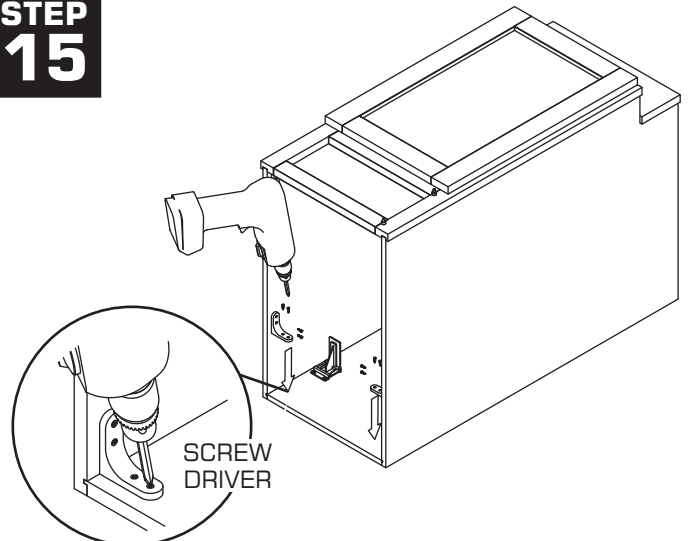
STEP 13



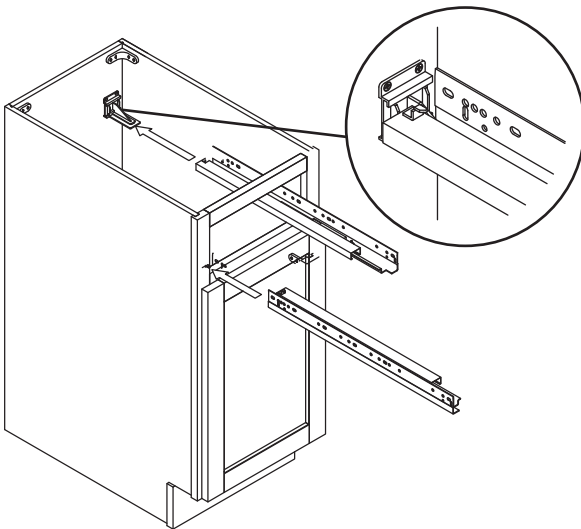
STEP 14



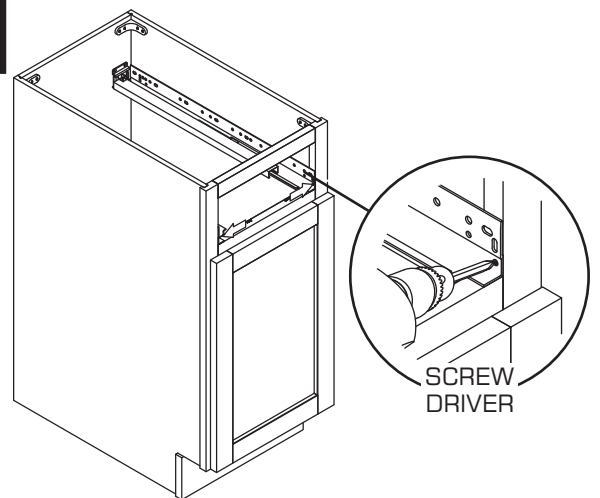
STEP 15



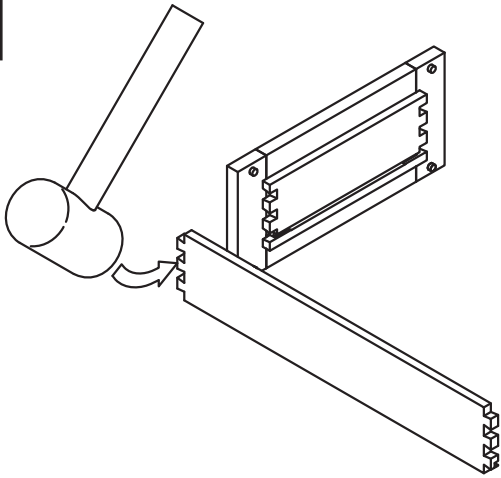
STEP 16



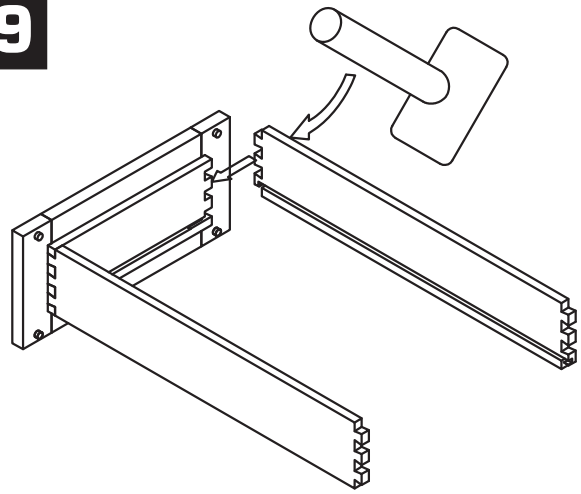
STEP 17



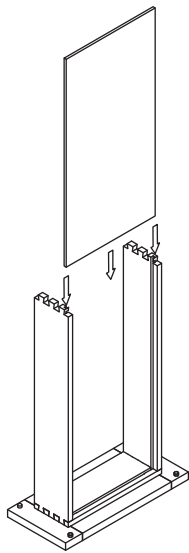
STEP 18



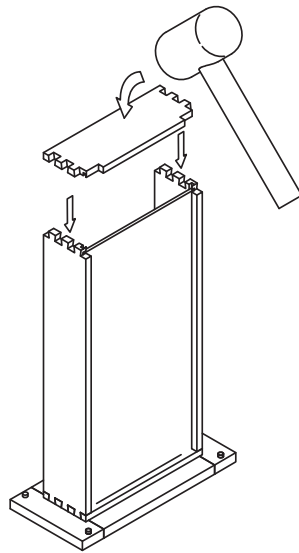
STEP 19



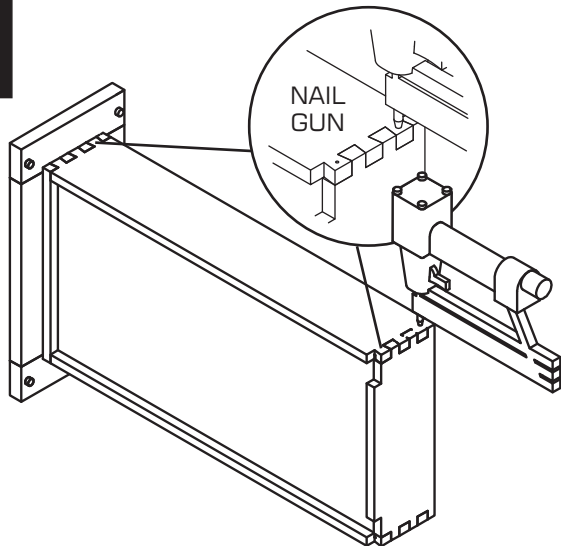
STEP 20



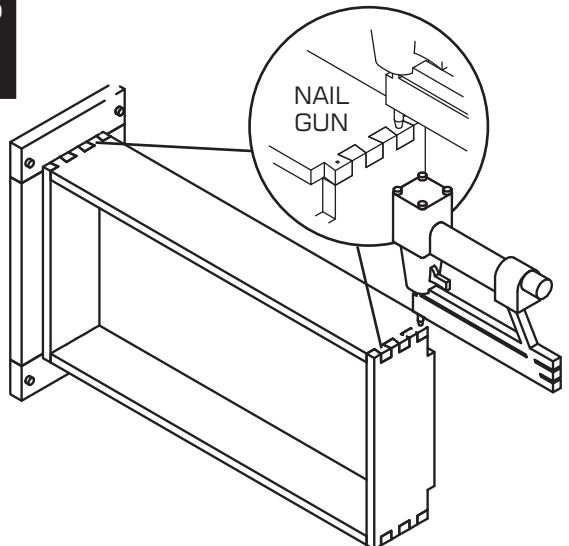
STEP 21



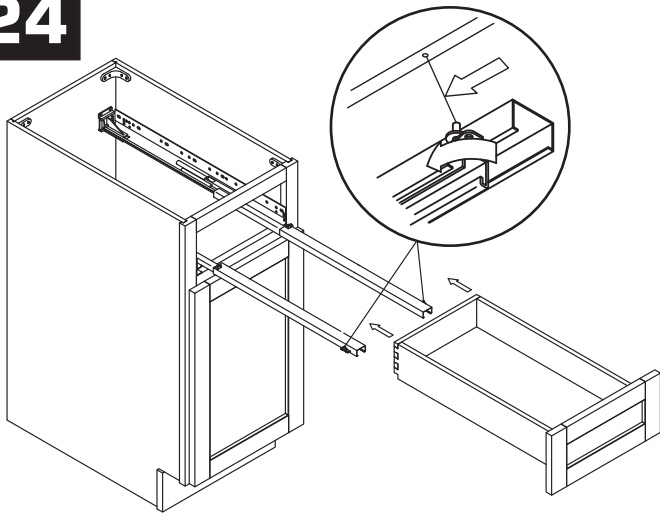
STEP 22



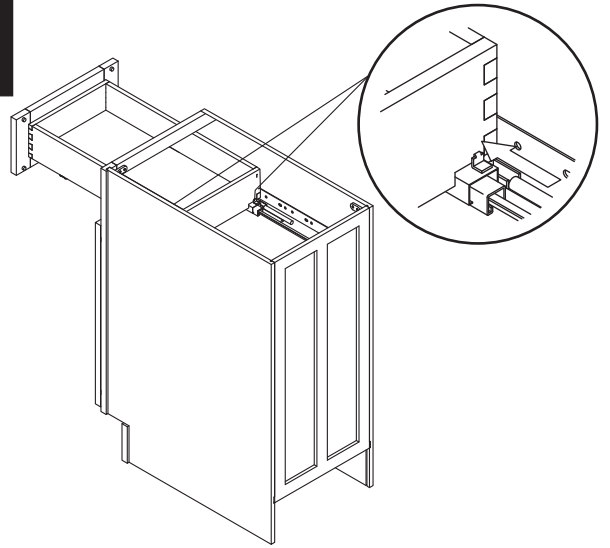
STEP 23



**STEP  
24**

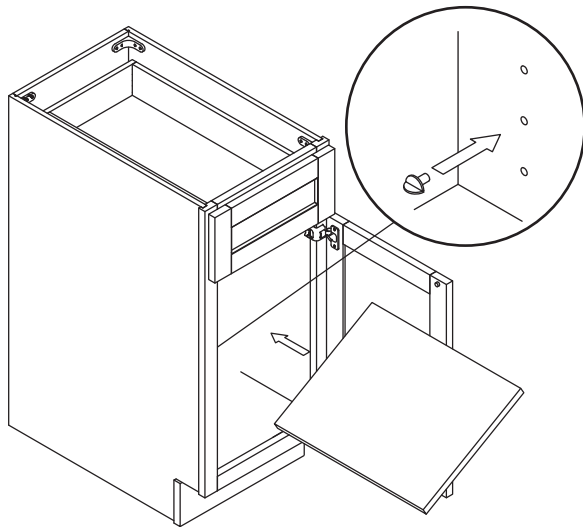


**STEP  
25**

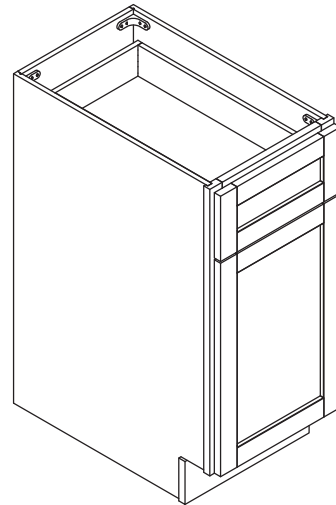


**BASE CABINET**

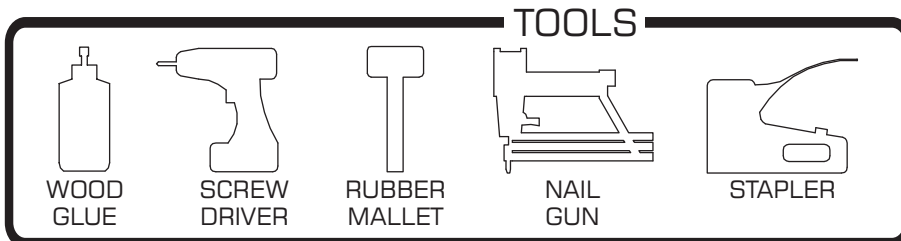
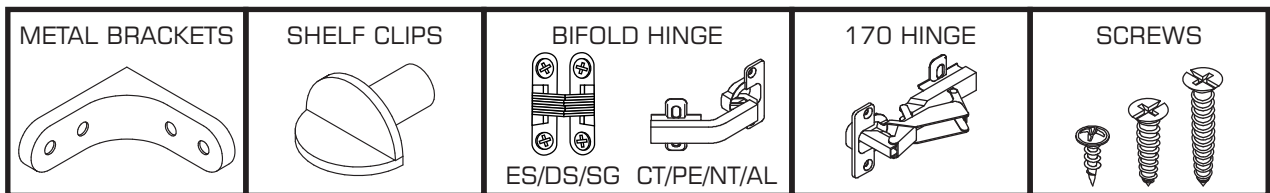
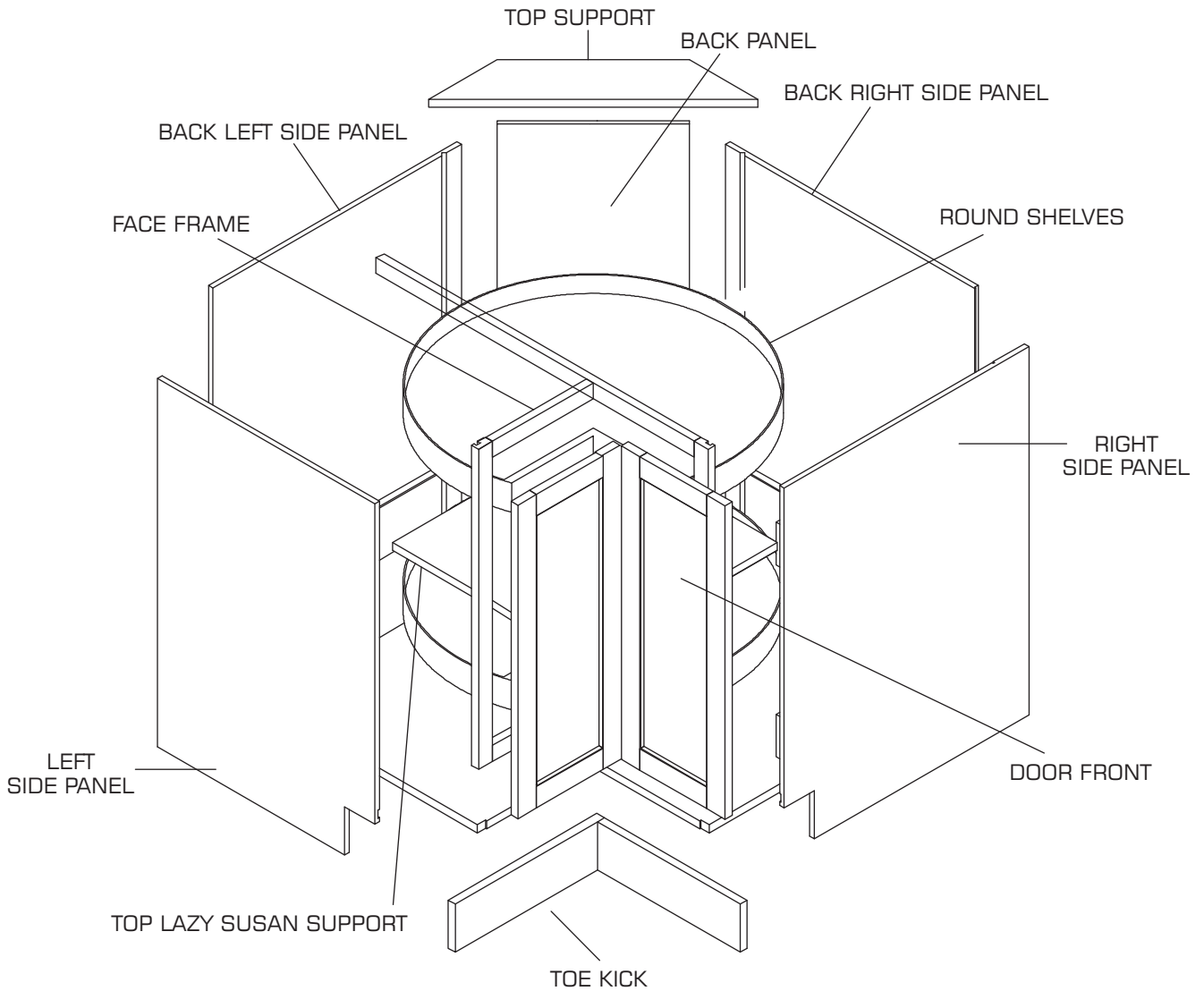
**STEP  
26**



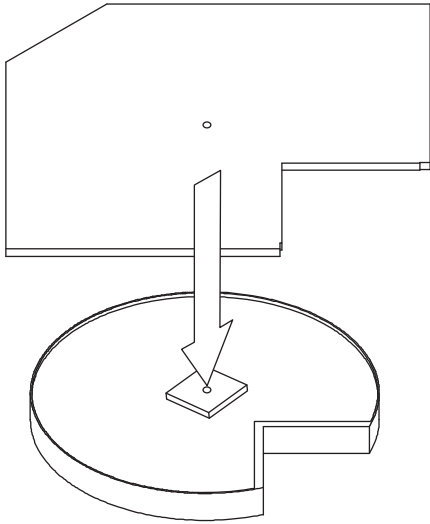
**STEP  
27**



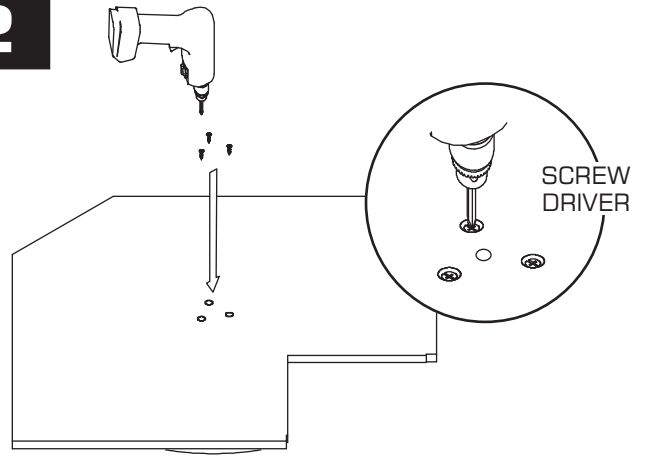
# ASSEMBLING INSTRUCTIONS - LAZY SUSAN CABINET



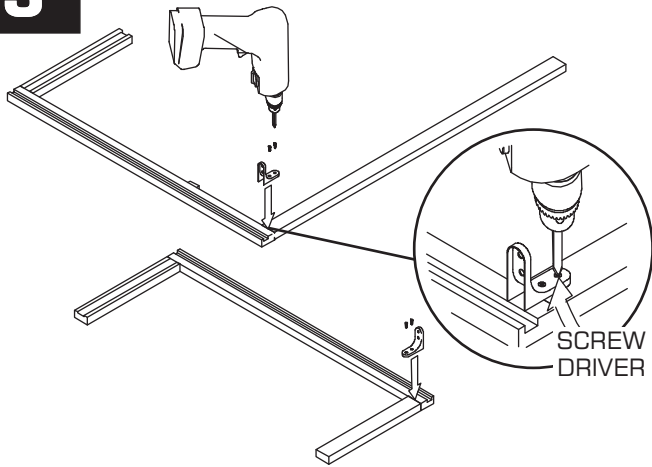
**STEP 1**



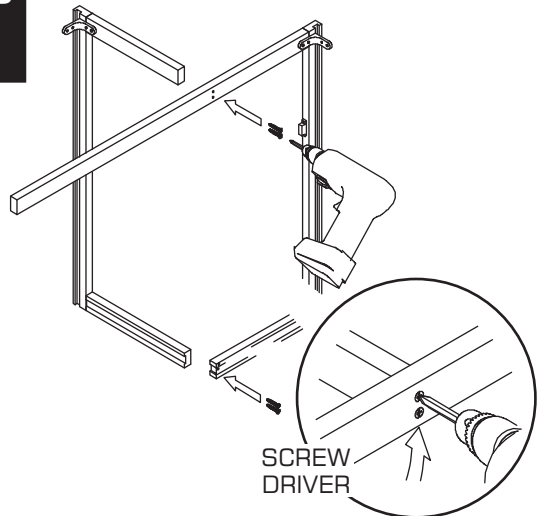
**STEP 2**



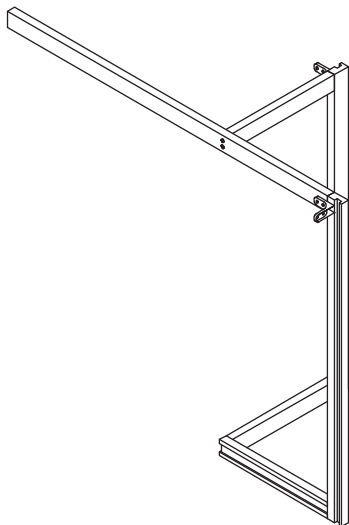
**STEP 3**



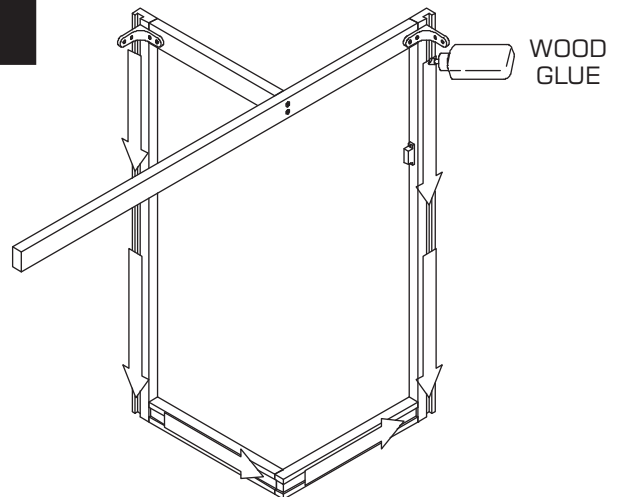
**STEP 4**



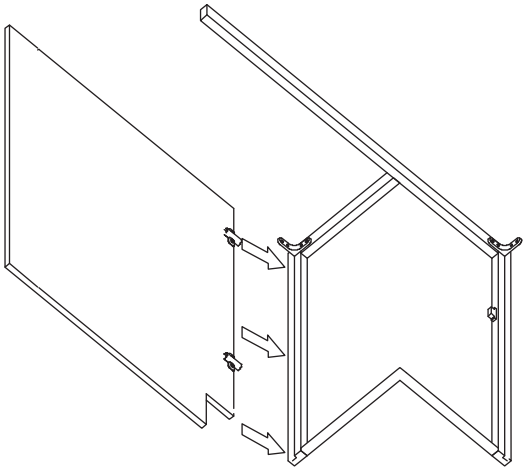
**STEP 5**



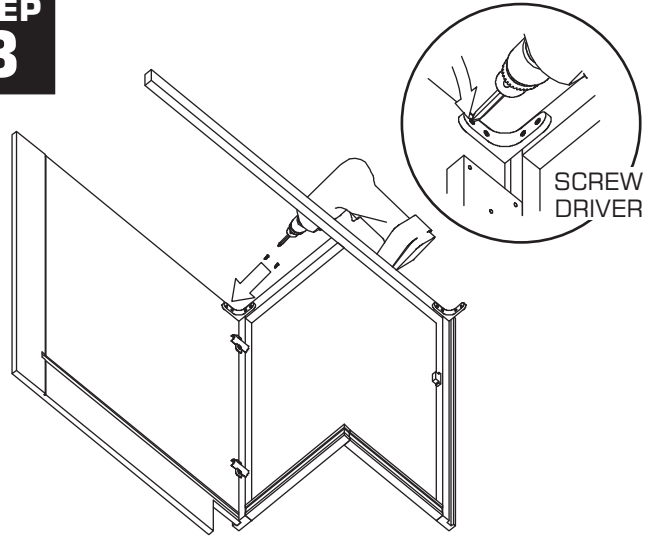
**STEP 6**



**STEP 7**

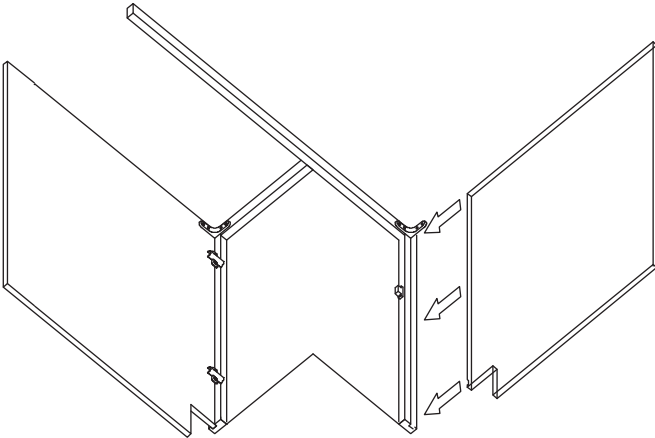


**STEP 8**

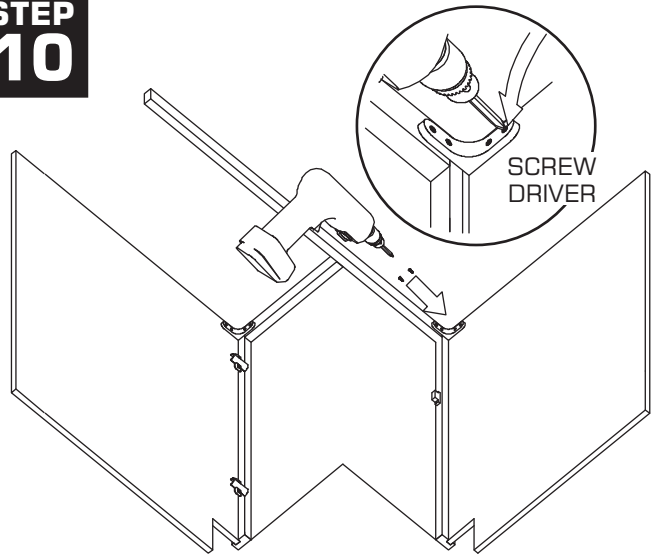


SCREW DRIVER

**STEP 9**

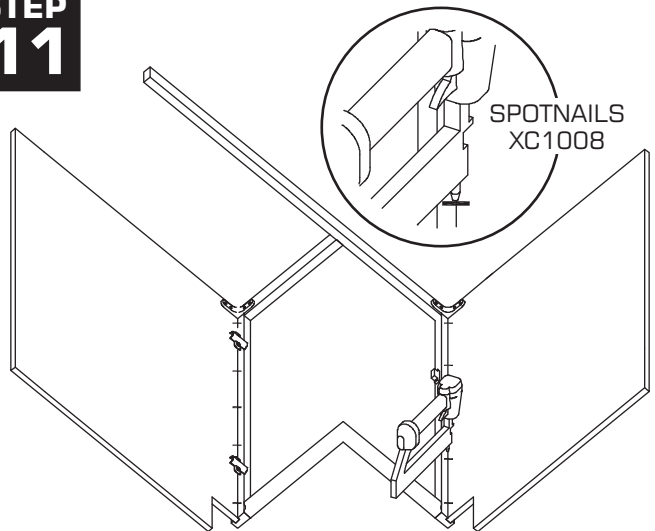


**STEP 10**



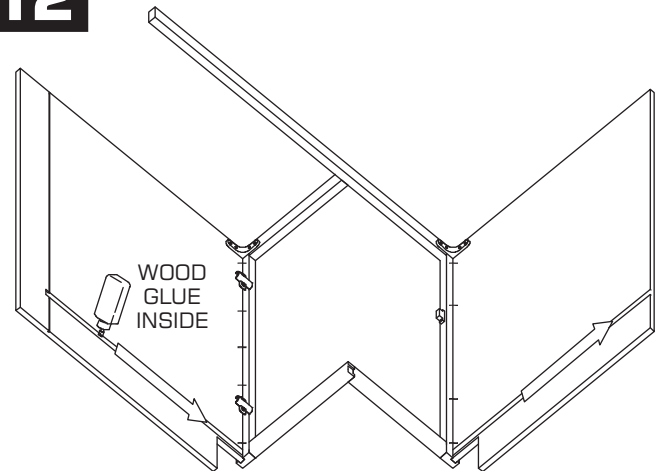
SCREW DRIVER

**STEP 11**



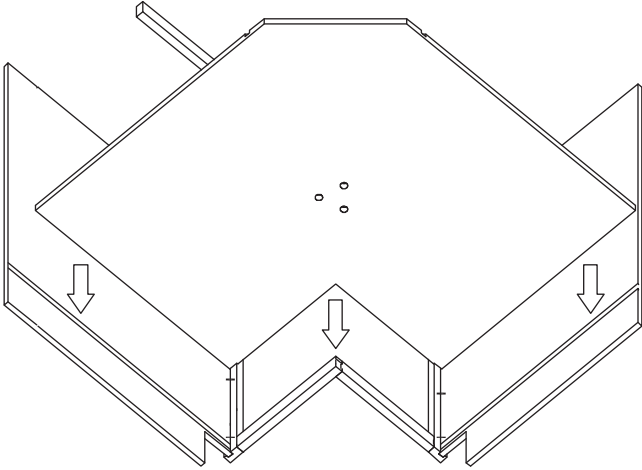
SPOTNAILS XC1008

**STEP 12**

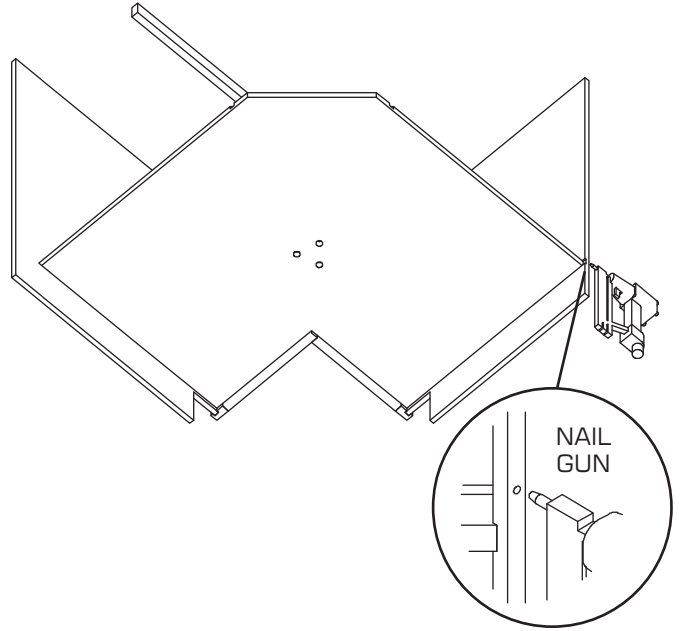


WOOD GLUE INSIDE

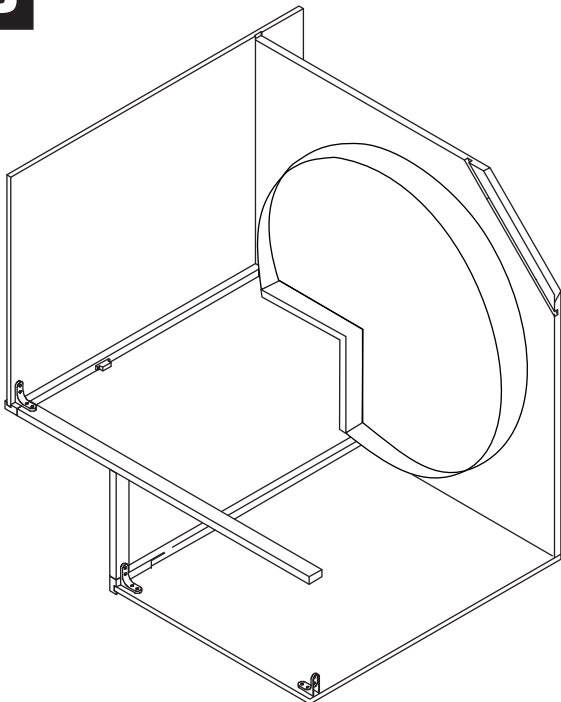
**STEP  
13**



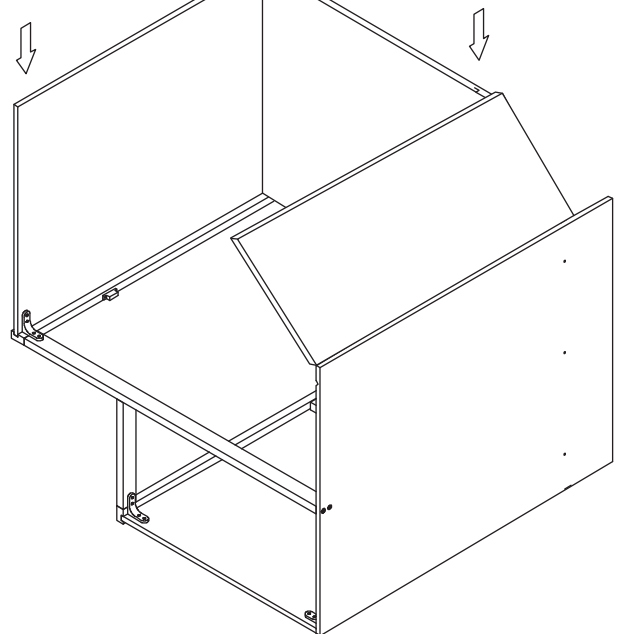
**STEP  
14**



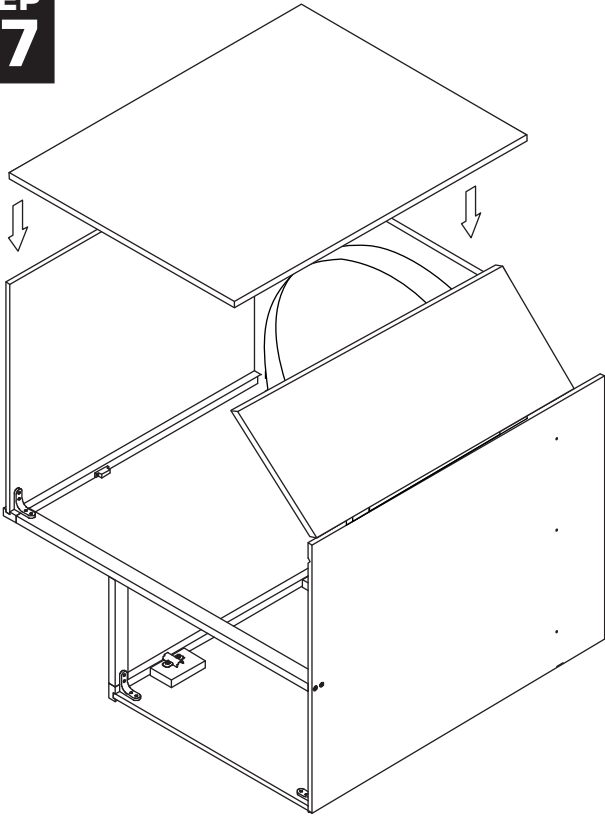
**STEP  
15**



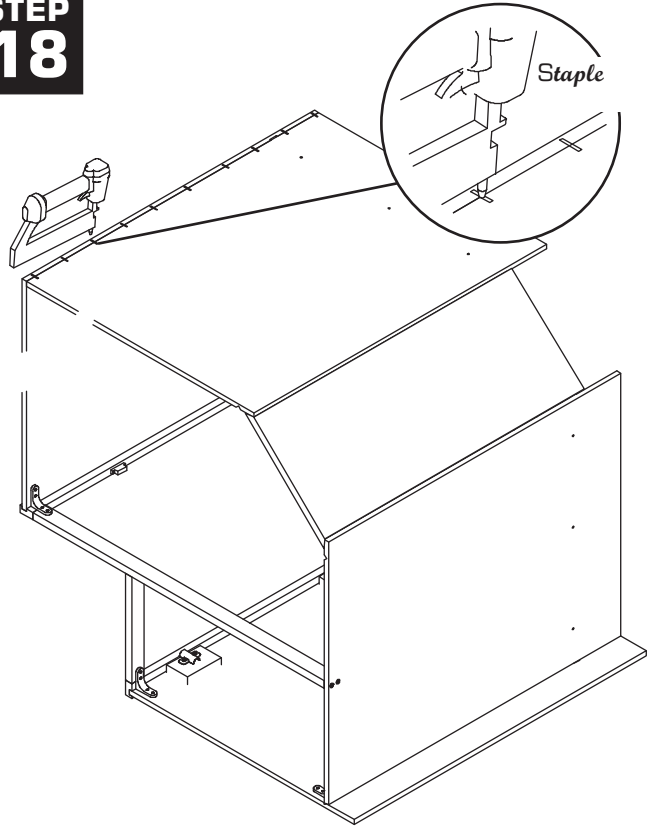
**STEP  
16**



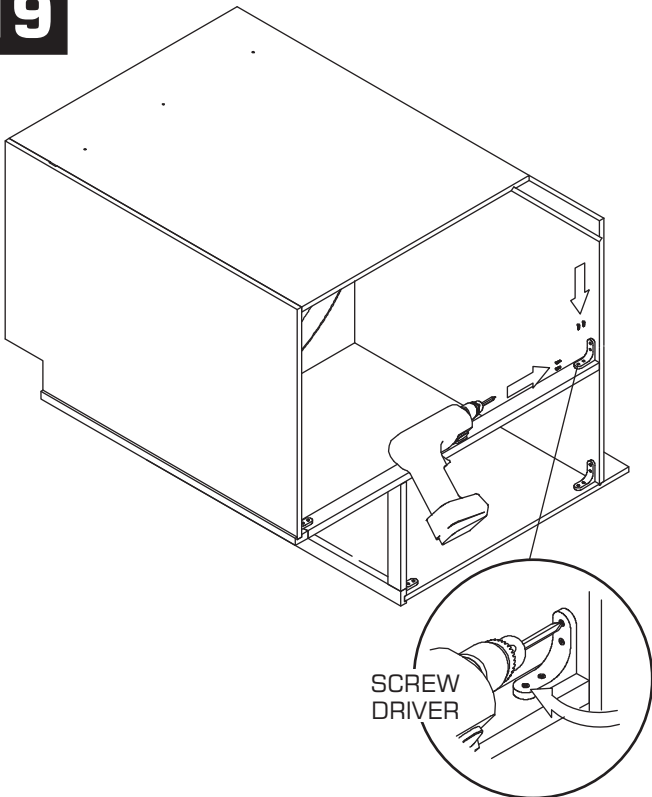
**STEP 17**



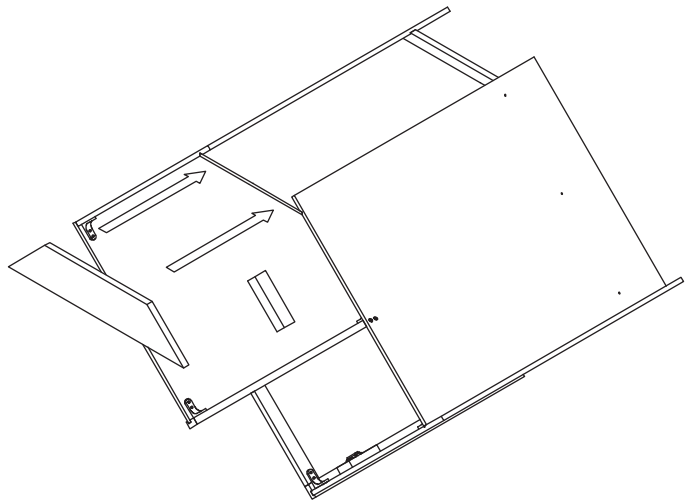
**STEP 18**



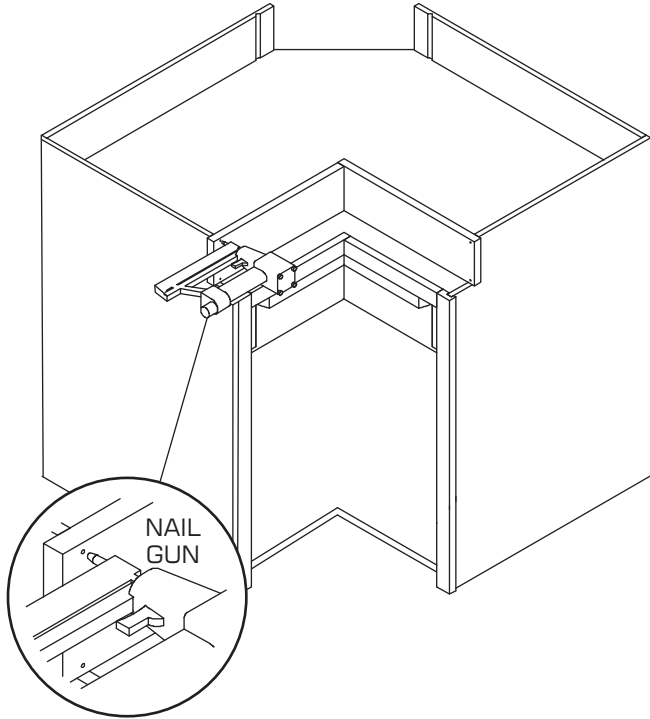
**STEP 19**



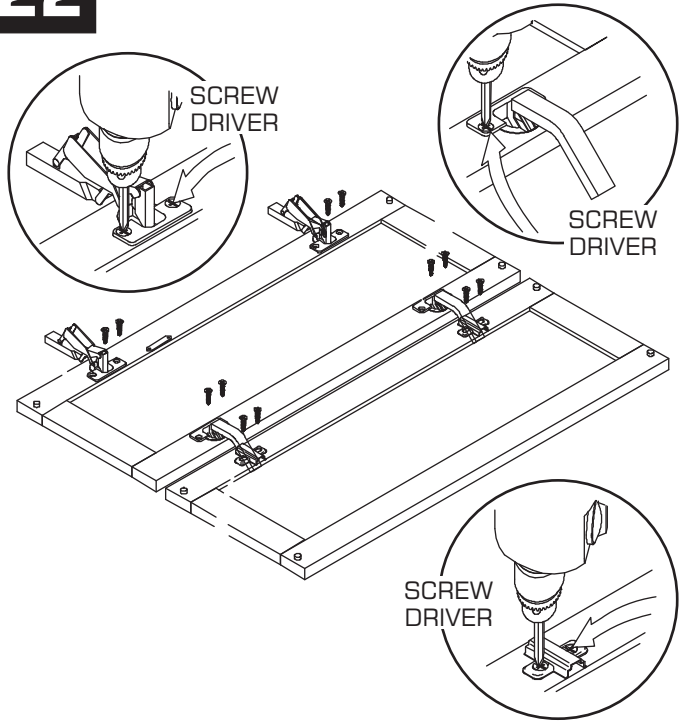
**STEP 20**



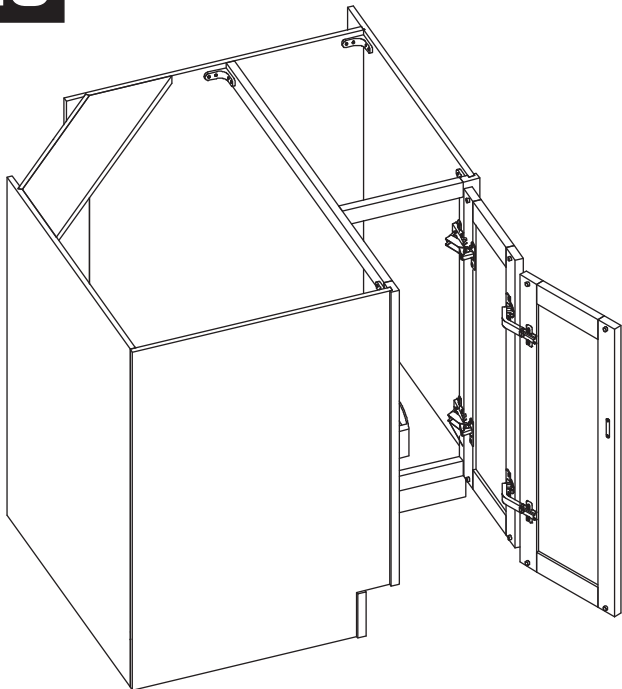
**STEP  
21**



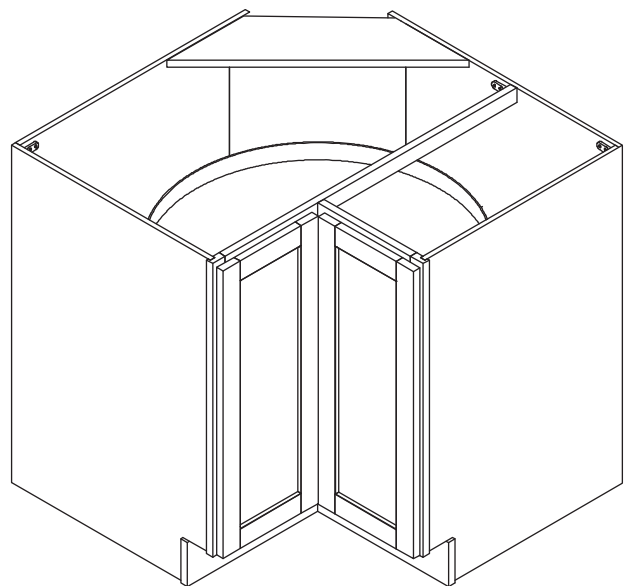
**STEP  
22**



**STEP  
23**

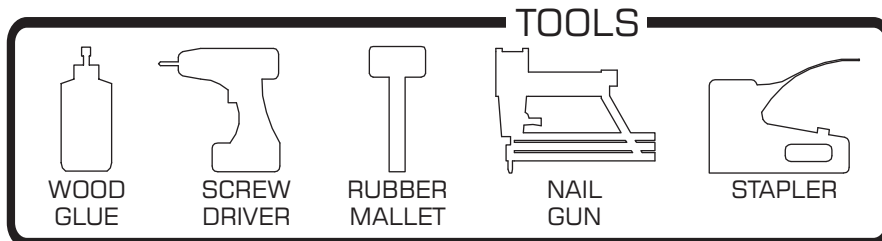
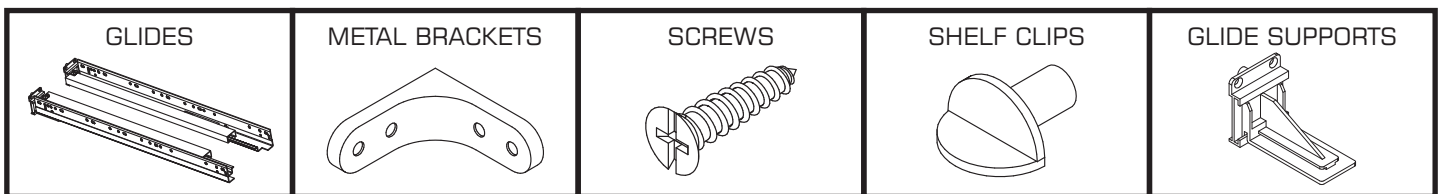
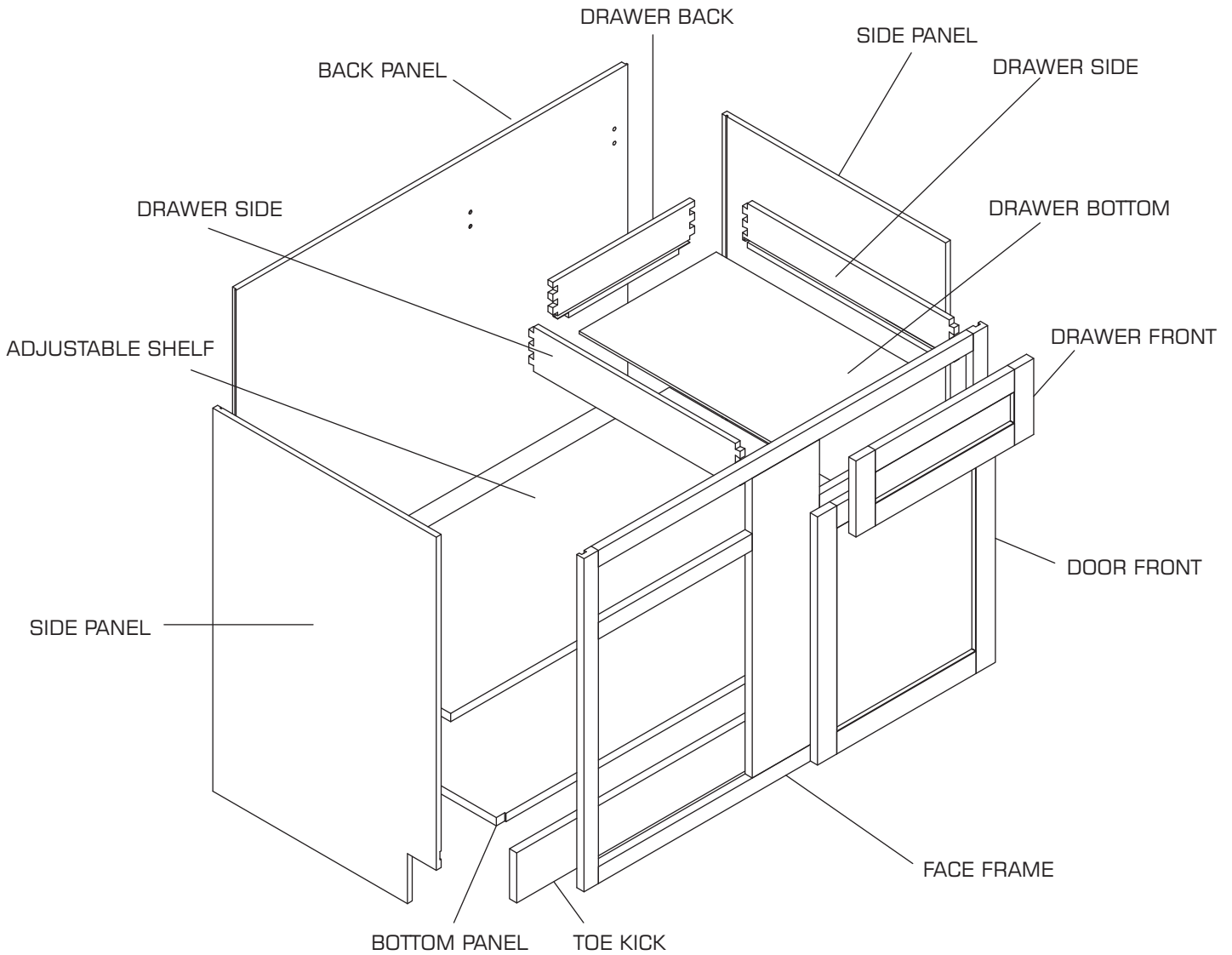


**STEP  
24**



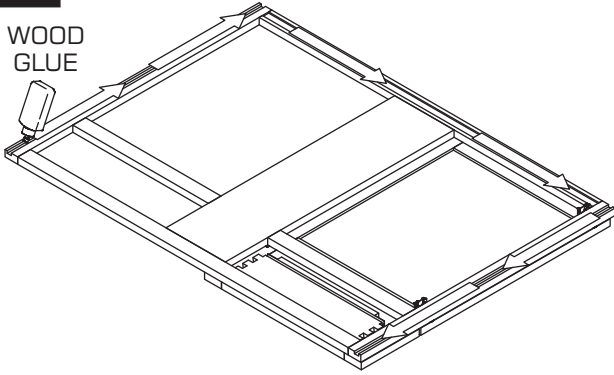
# ASSEMBLING INSTRUCTIONS - BLIND CORNER BASE CABINET

BLIND CORNER BASE CABINET

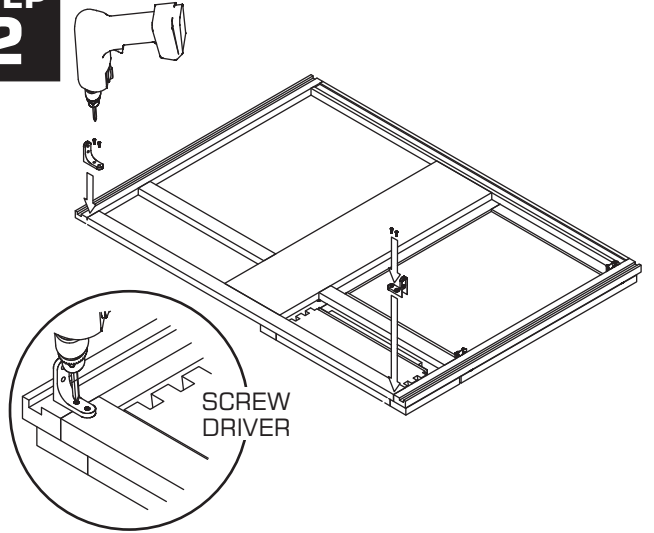


**STEP 1**

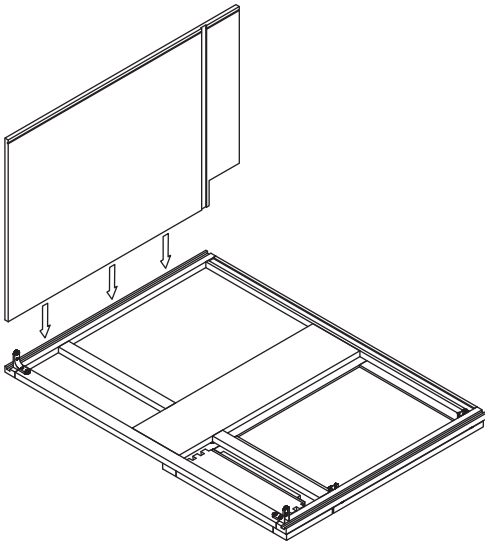
WOOD  
GLUE



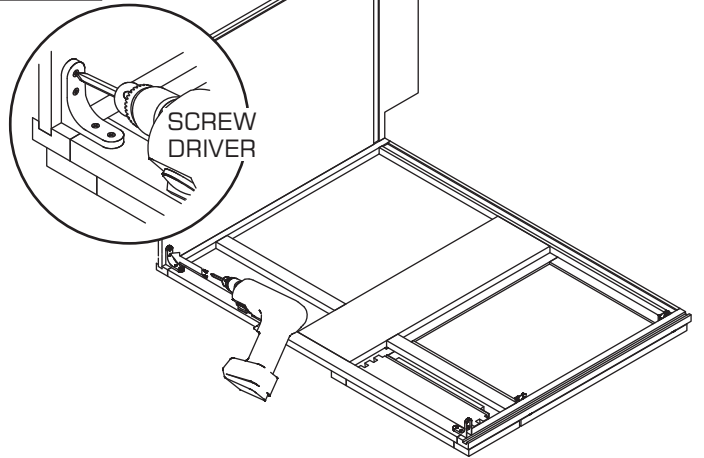
**STEP 2**



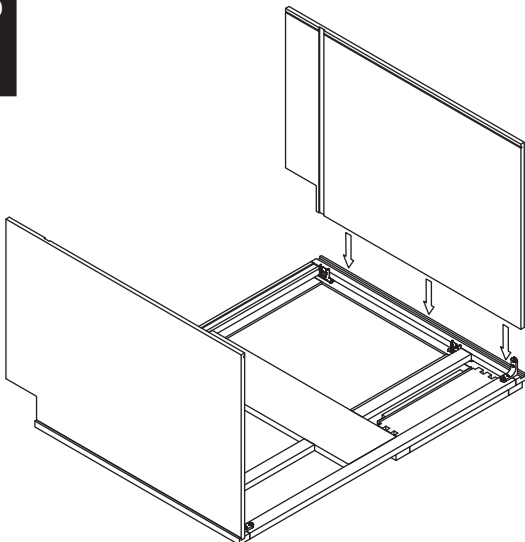
**STEP 3**



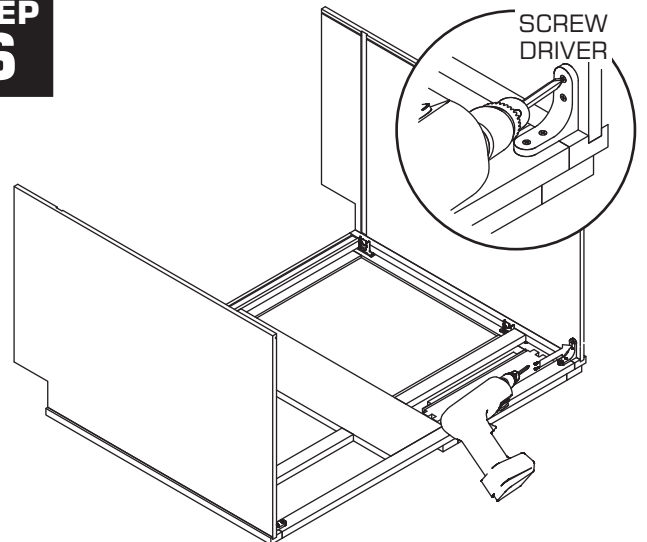
**STEP 4**



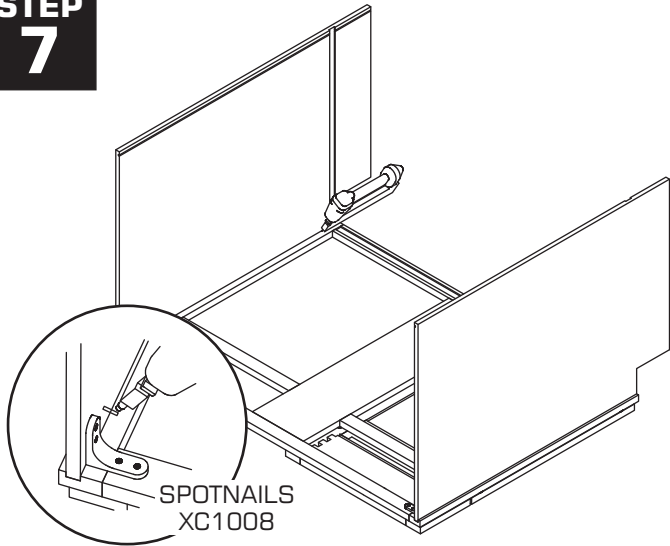
**STEP 5**



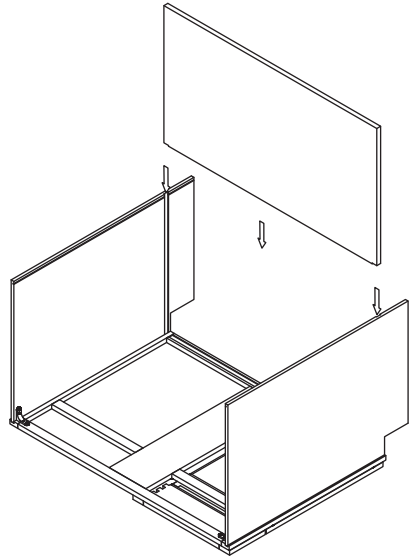
**STEP 6**



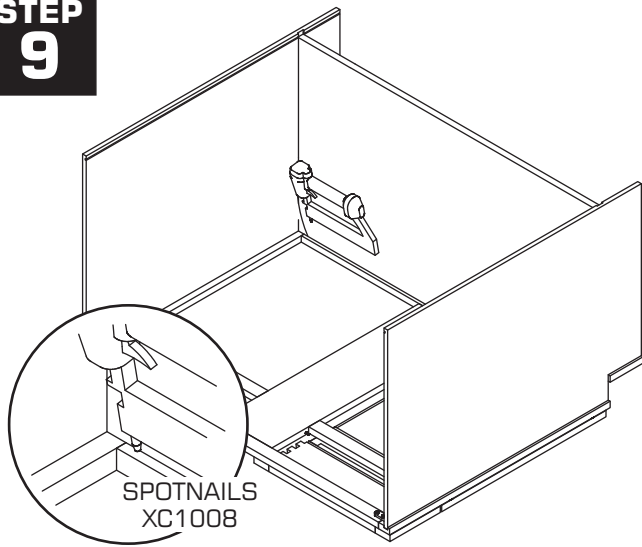
**STEP 7**



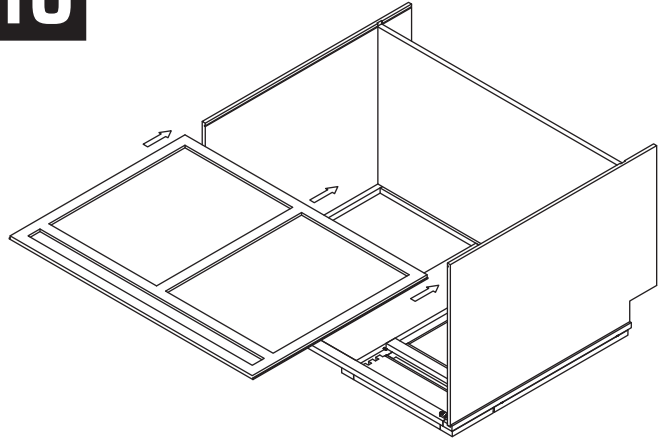
**STEP 8**



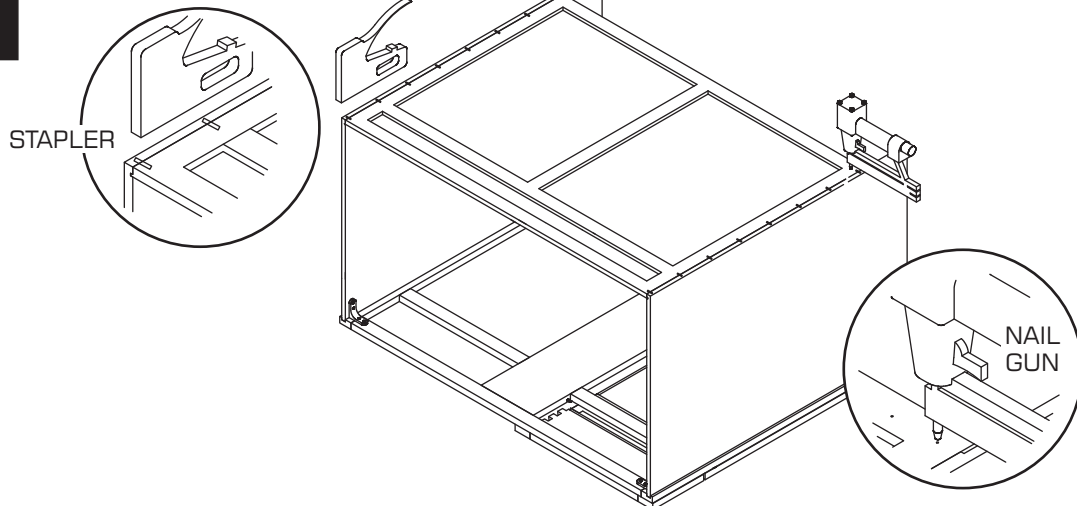
**STEP 9**



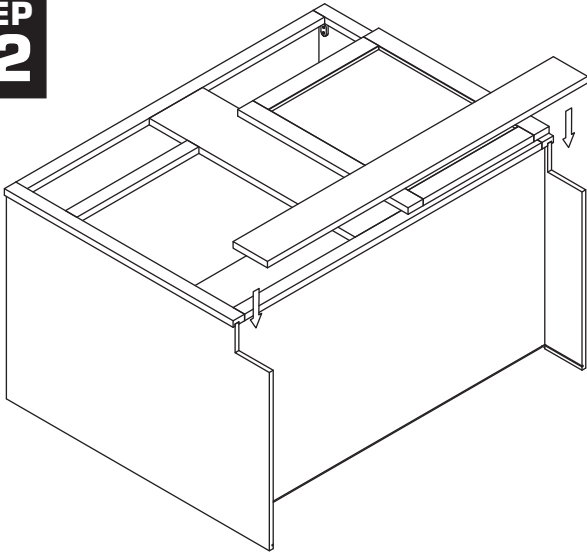
**STEP 10**



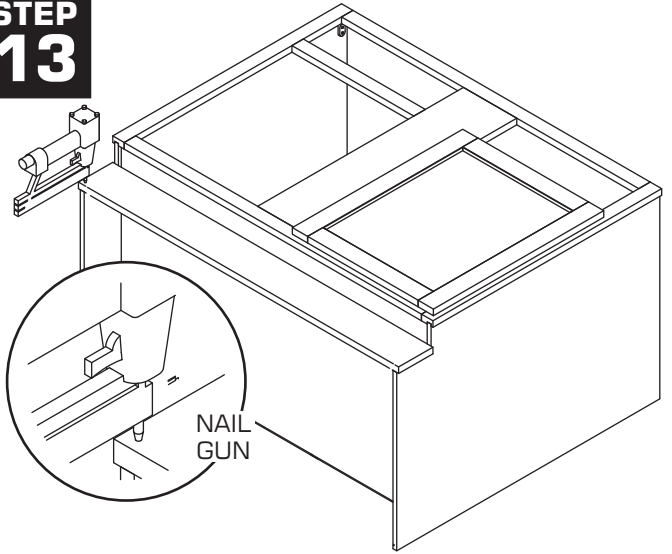
**STEP 11**



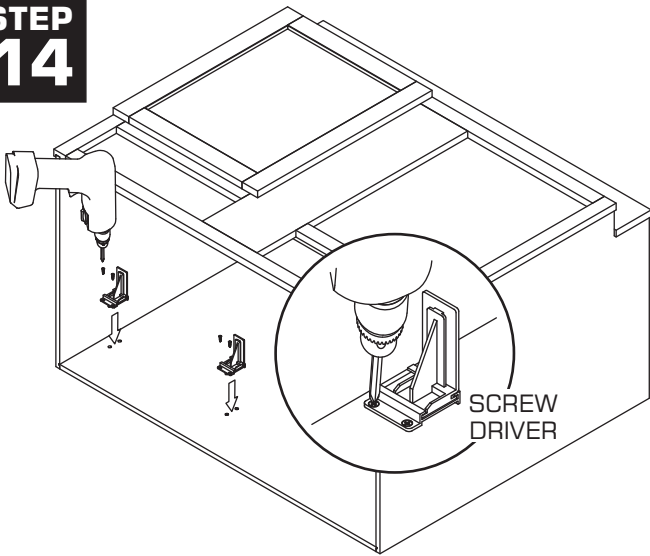
STEP 12



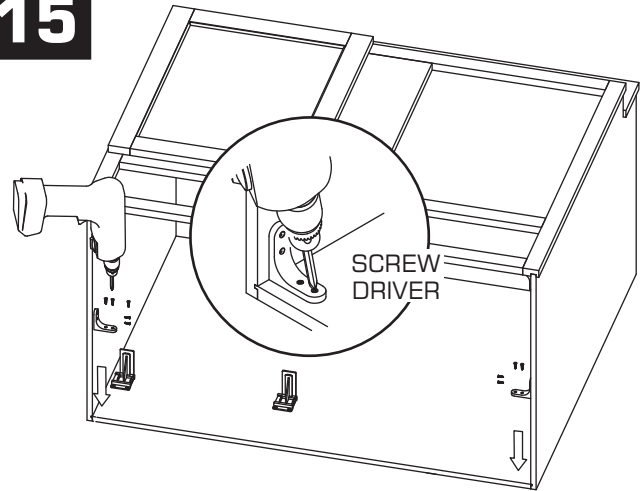
STEP 13



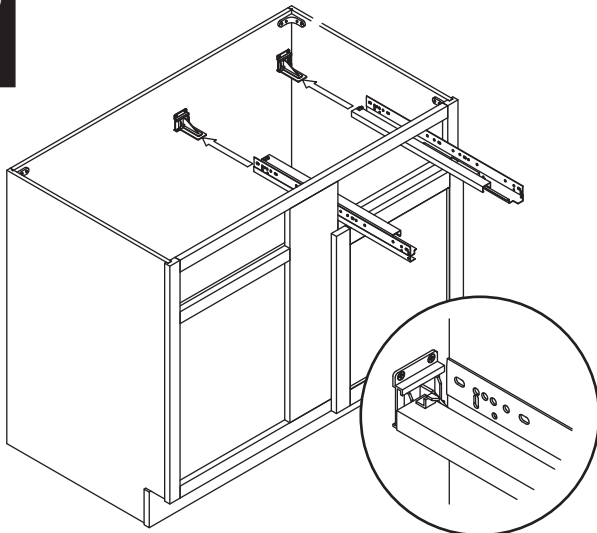
STEP 14



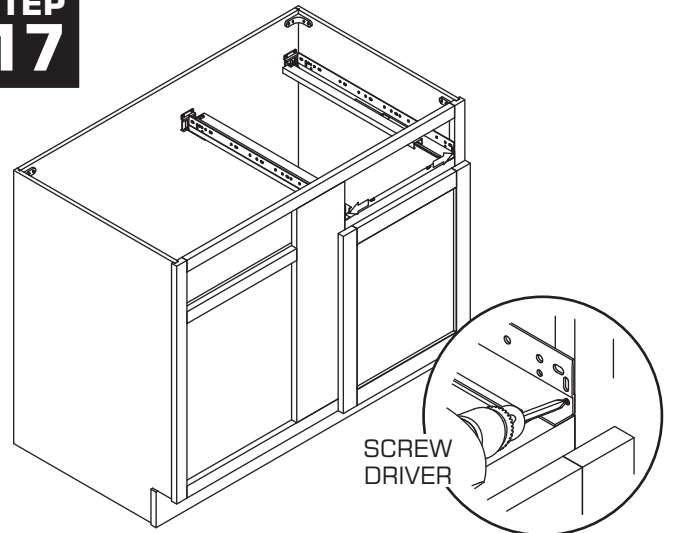
STEP 15



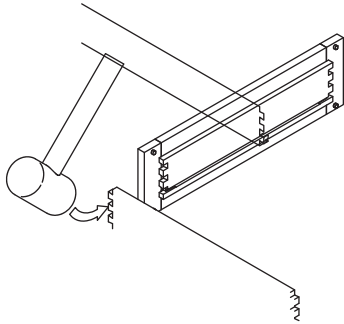
STEP 16



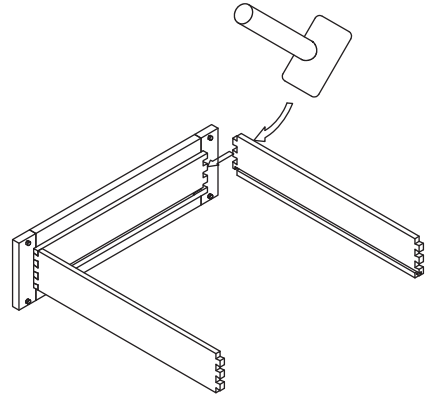
STEP 17



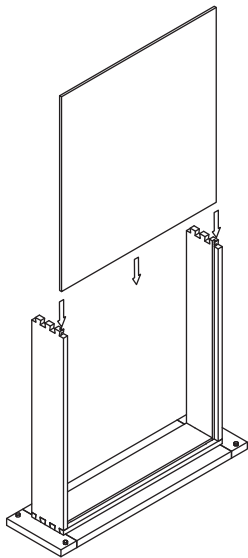
**STEP  
18**



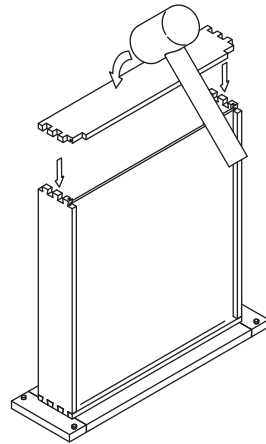
**STEP  
19**



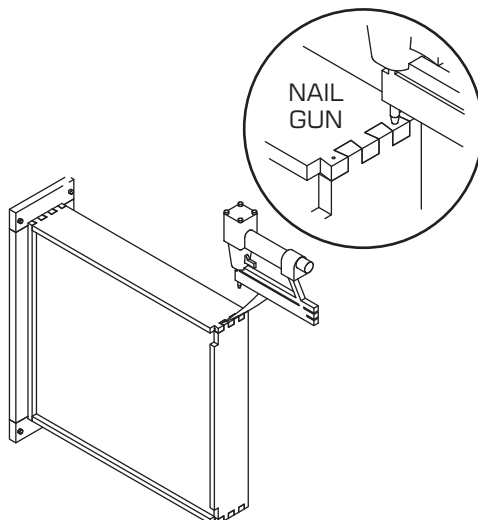
**STEP  
20**



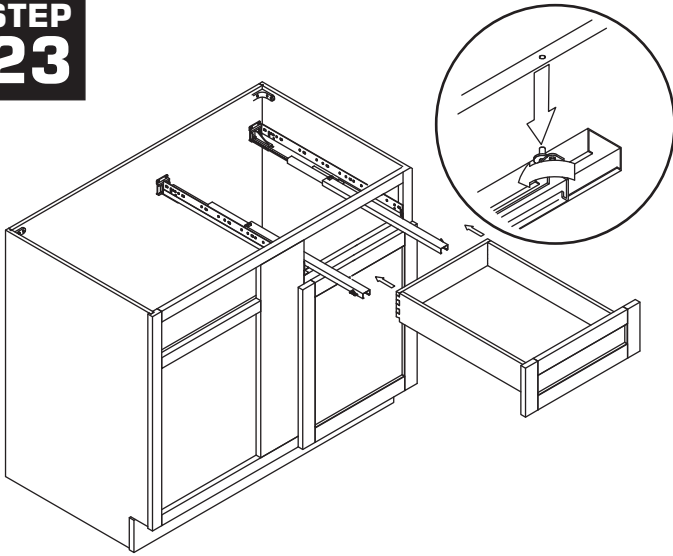
**STEP  
21**



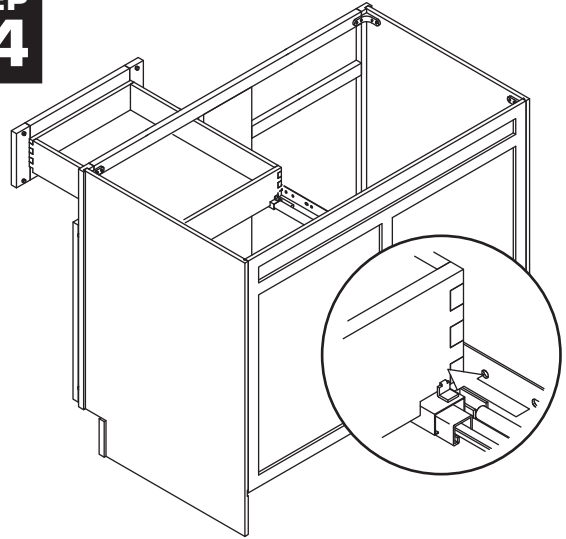
**STEP  
22**



**STEP  
23**

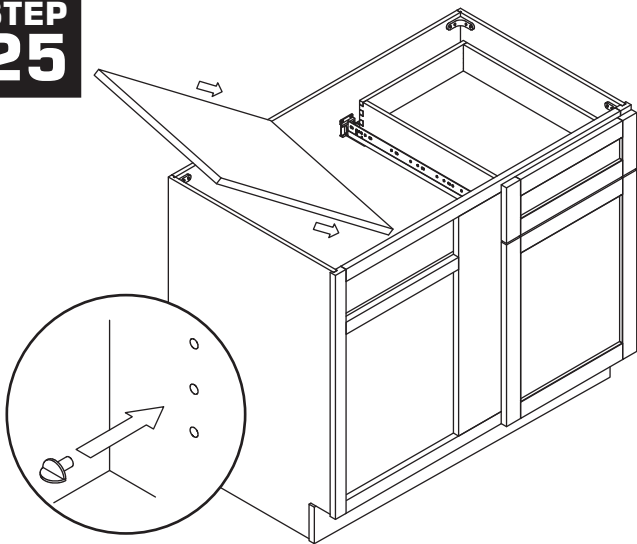


**STEP  
24**

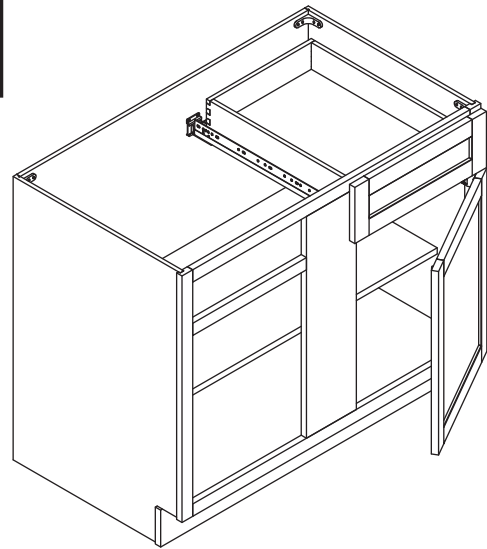


**BLIND CORNER BASE CABINET**

**STEP  
25**

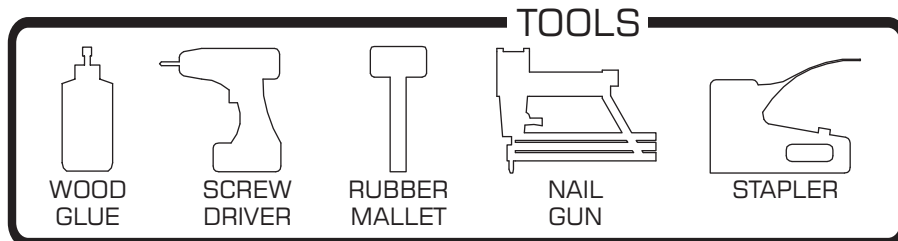
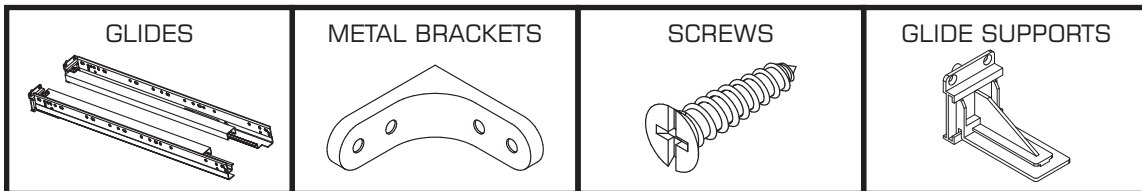
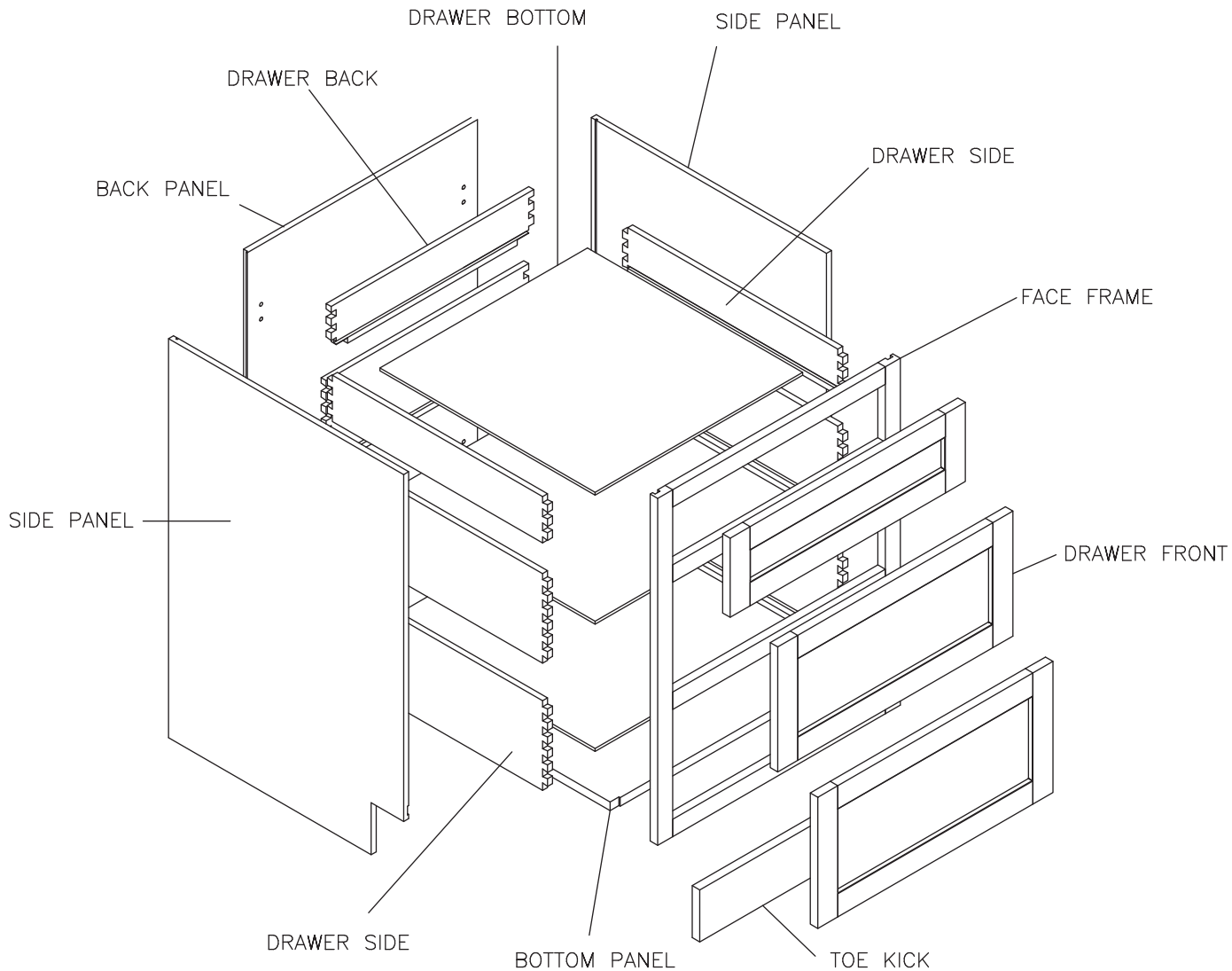


**STEP  
26**



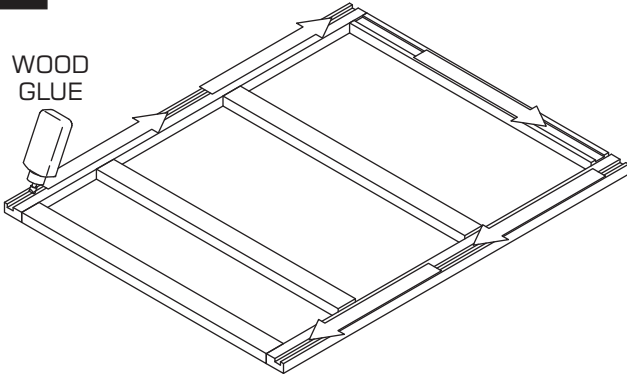
# ASSEMBLING INSTRUCTIONS - BASE DRAWER

**BASE DRAWER**

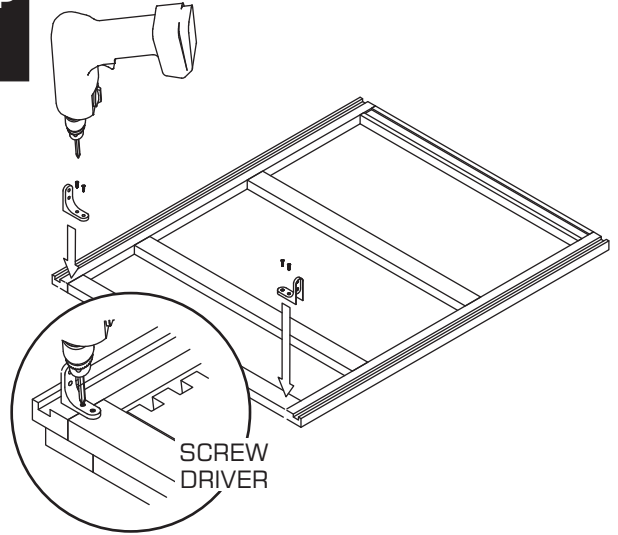


**STEP 1**

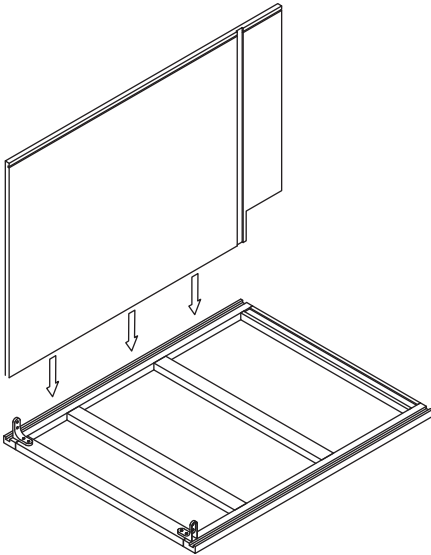
WOOD  
GLUE



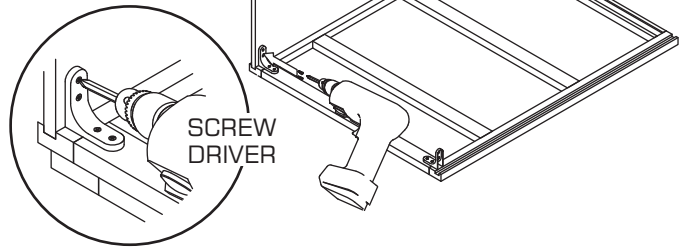
**STEP 2**



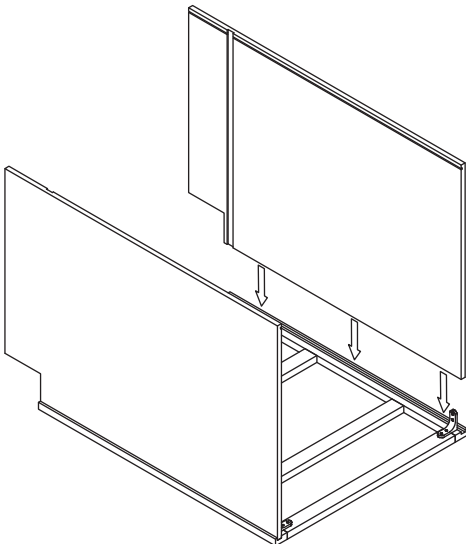
**STEP 3**



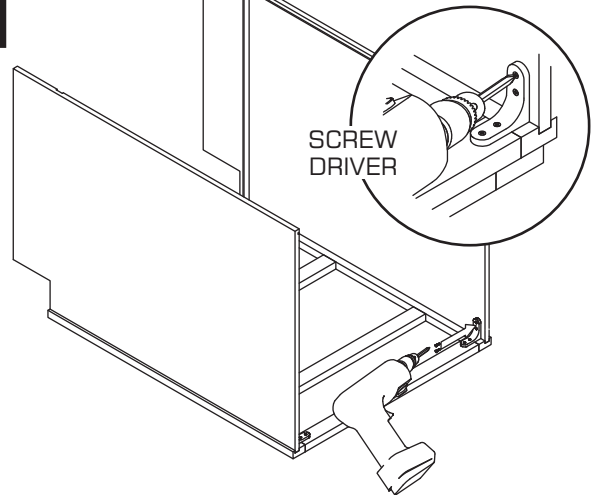
**STEP 4**



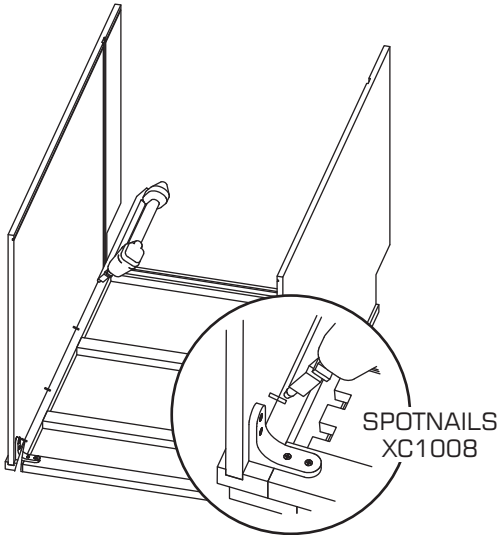
**STEP 5**



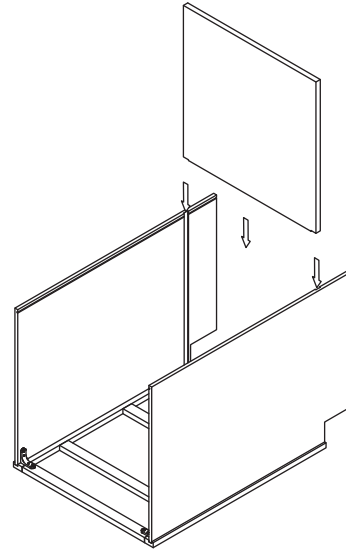
**STEP 6**



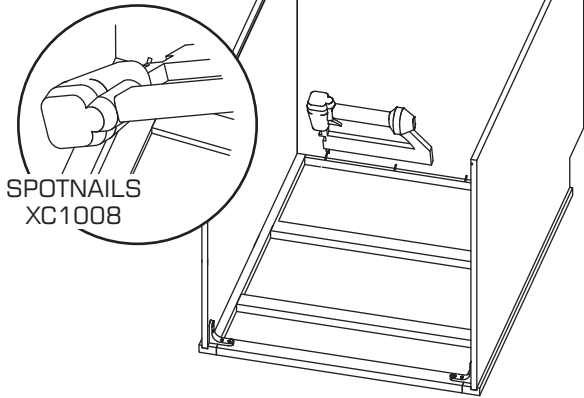
**STEP 7**



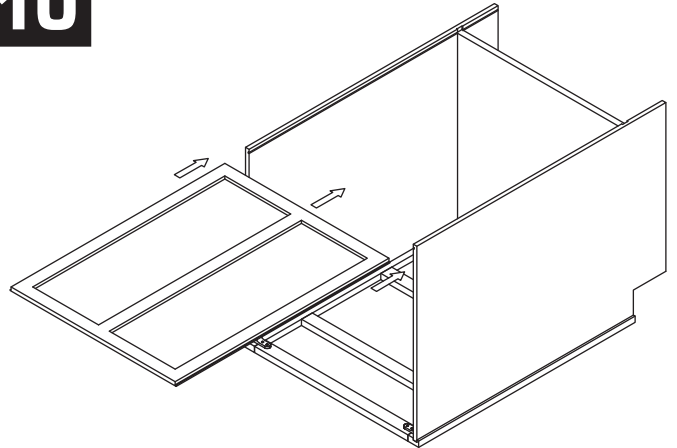
**STEP 8**



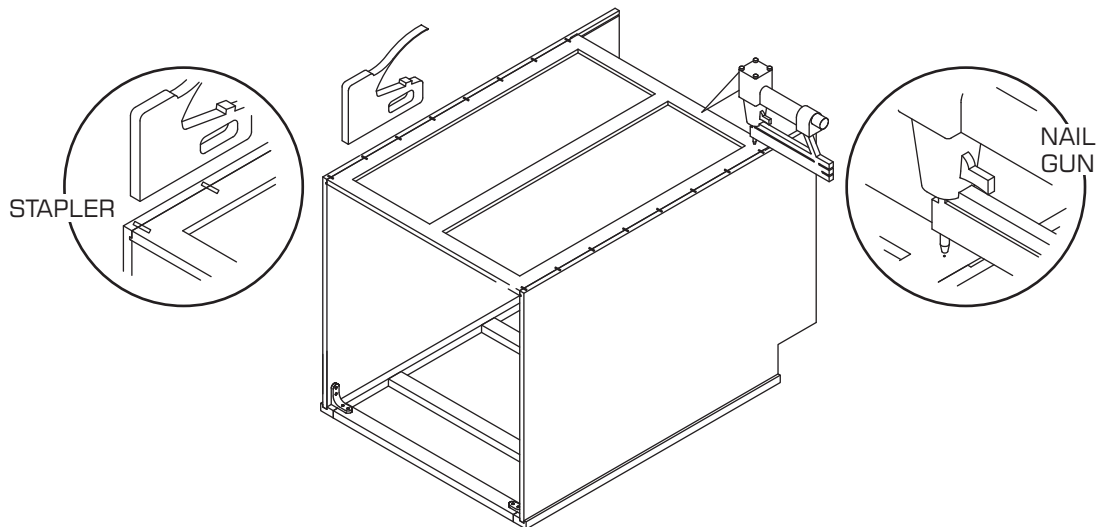
**STEP 9**



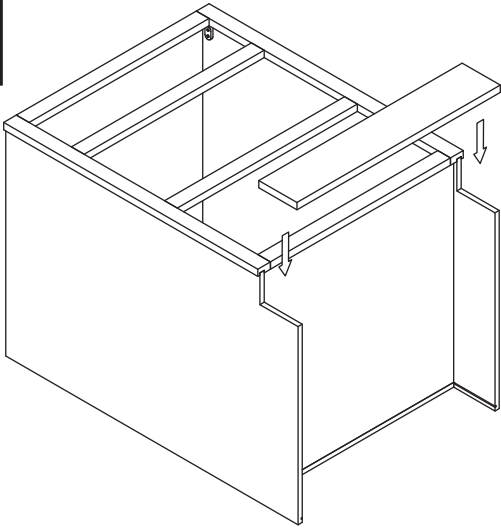
**STEP 10**



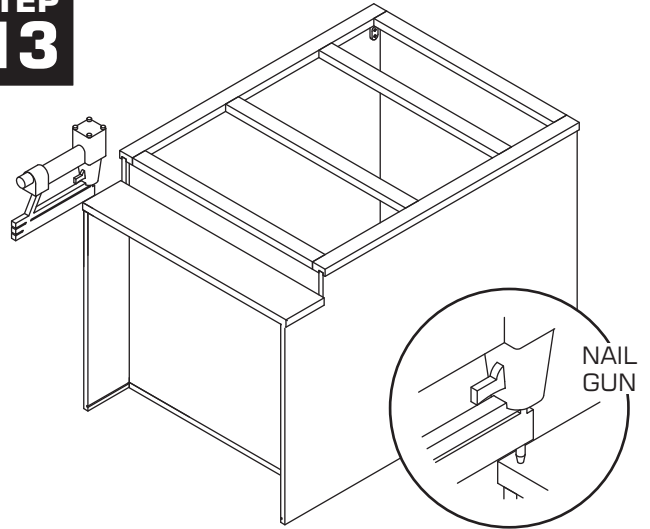
**STEP 11**



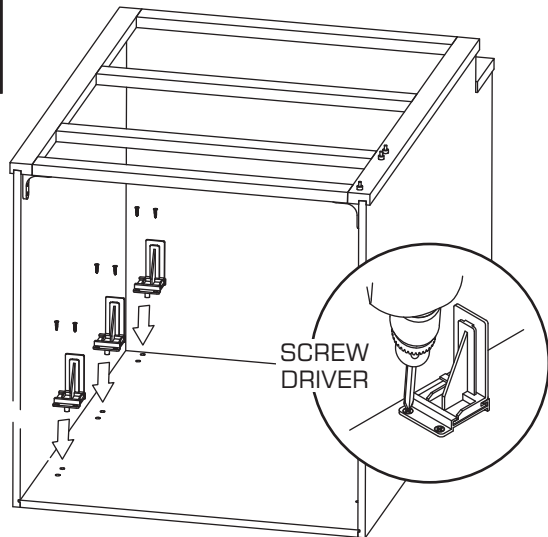
**STEP 12**



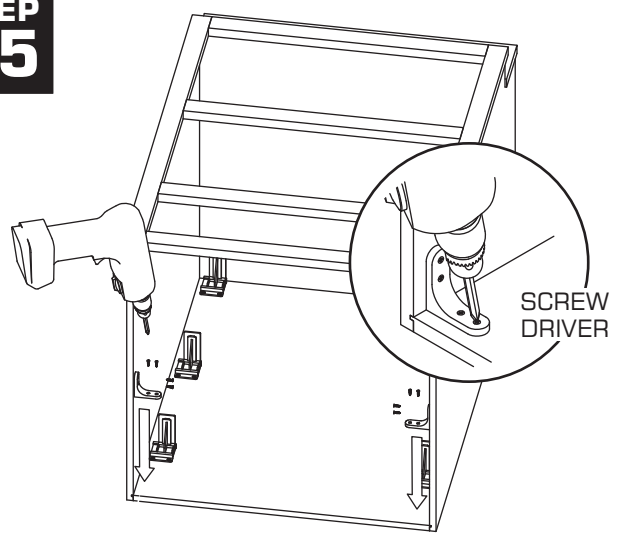
**STEP 13**



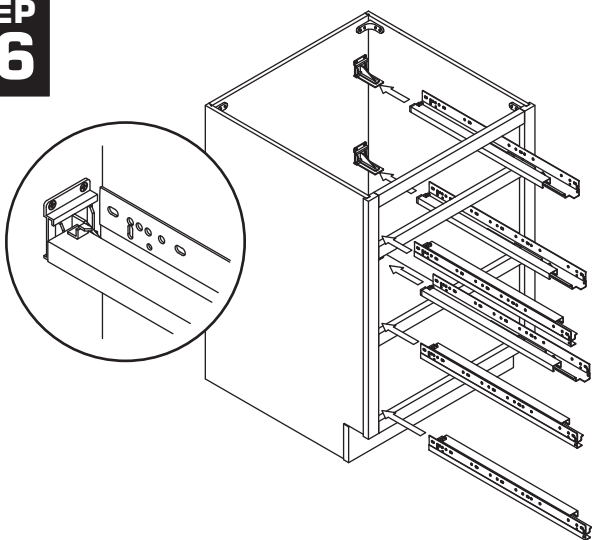
**STEP 14**



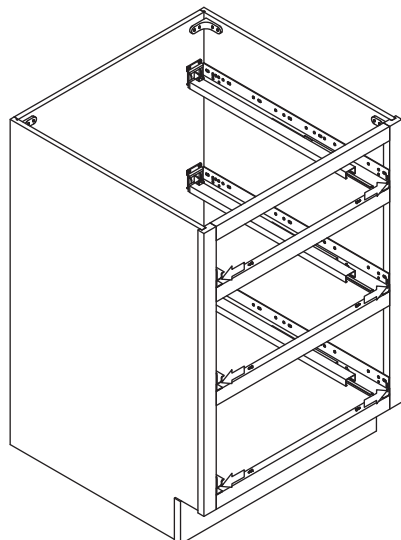
**STEP 15**



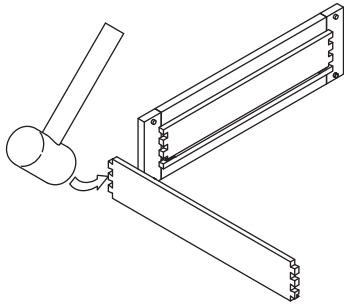
**STEP 16**



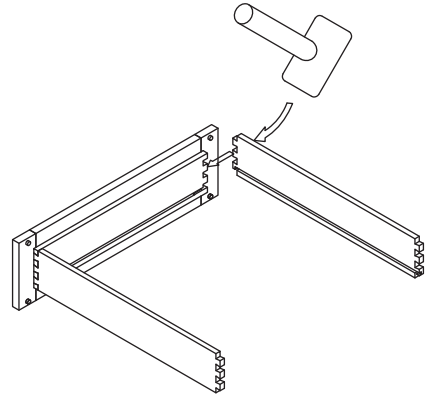
**STEP 17**



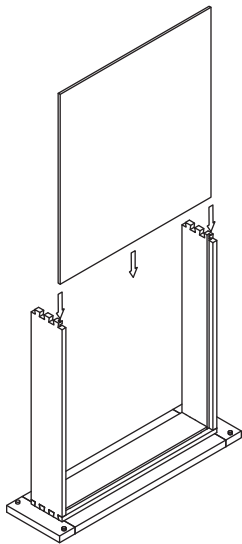
**STEP 18**



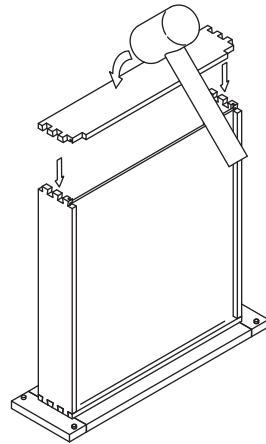
**STEP 19**



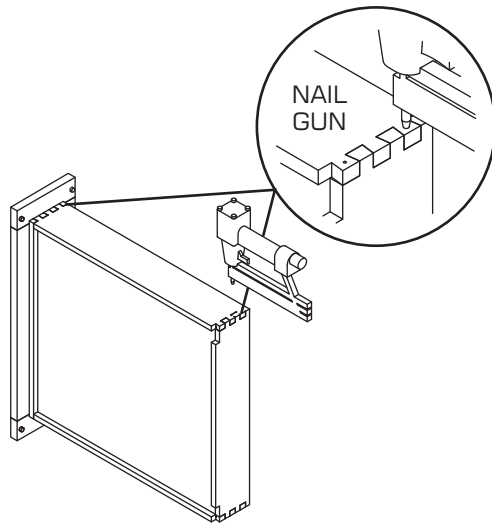
**STEP 20**



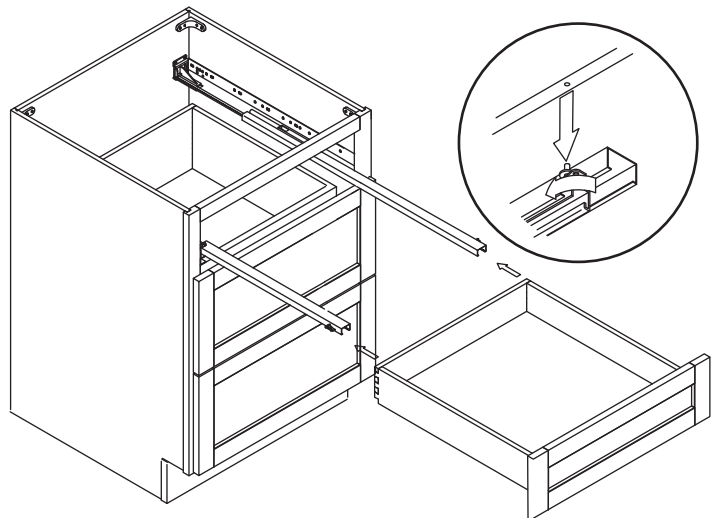
**STEP 21**



**STEP 22**

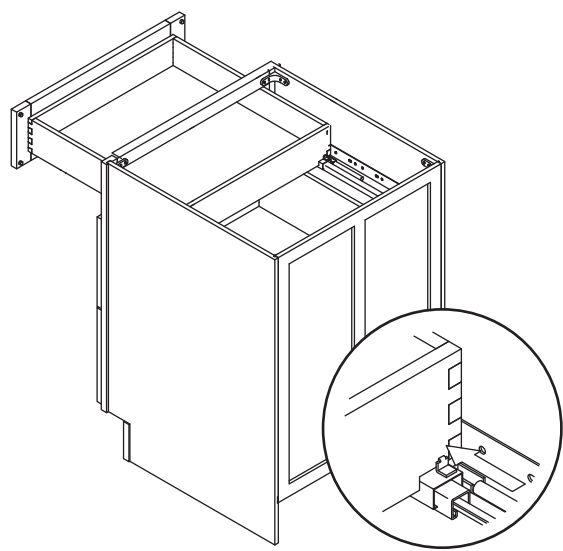


**STEP  
23**

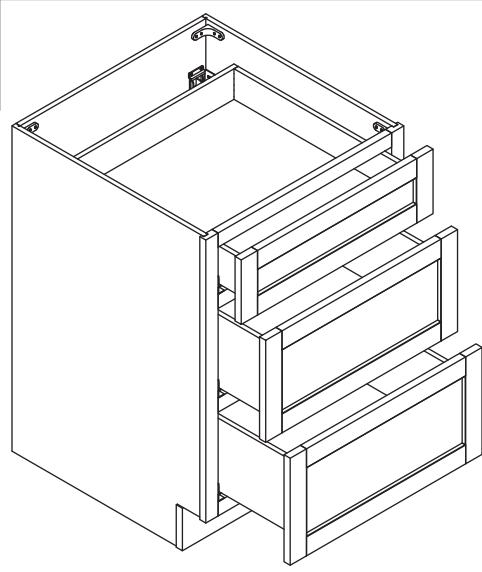


**BASE DRAWER**

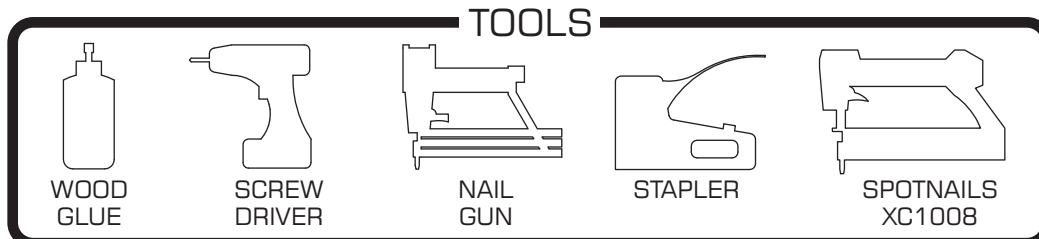
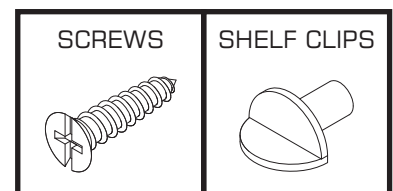
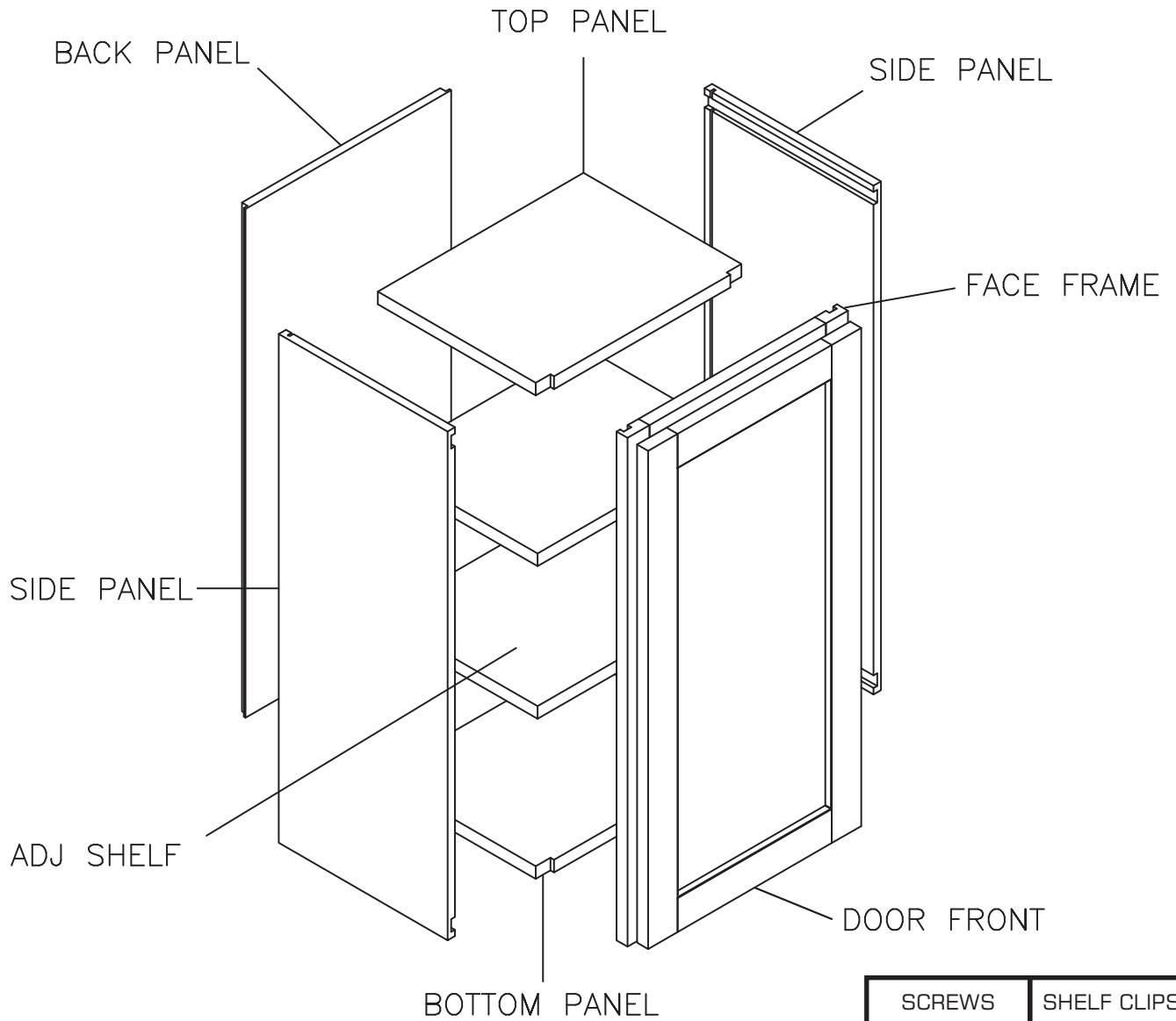
**STEP  
24**



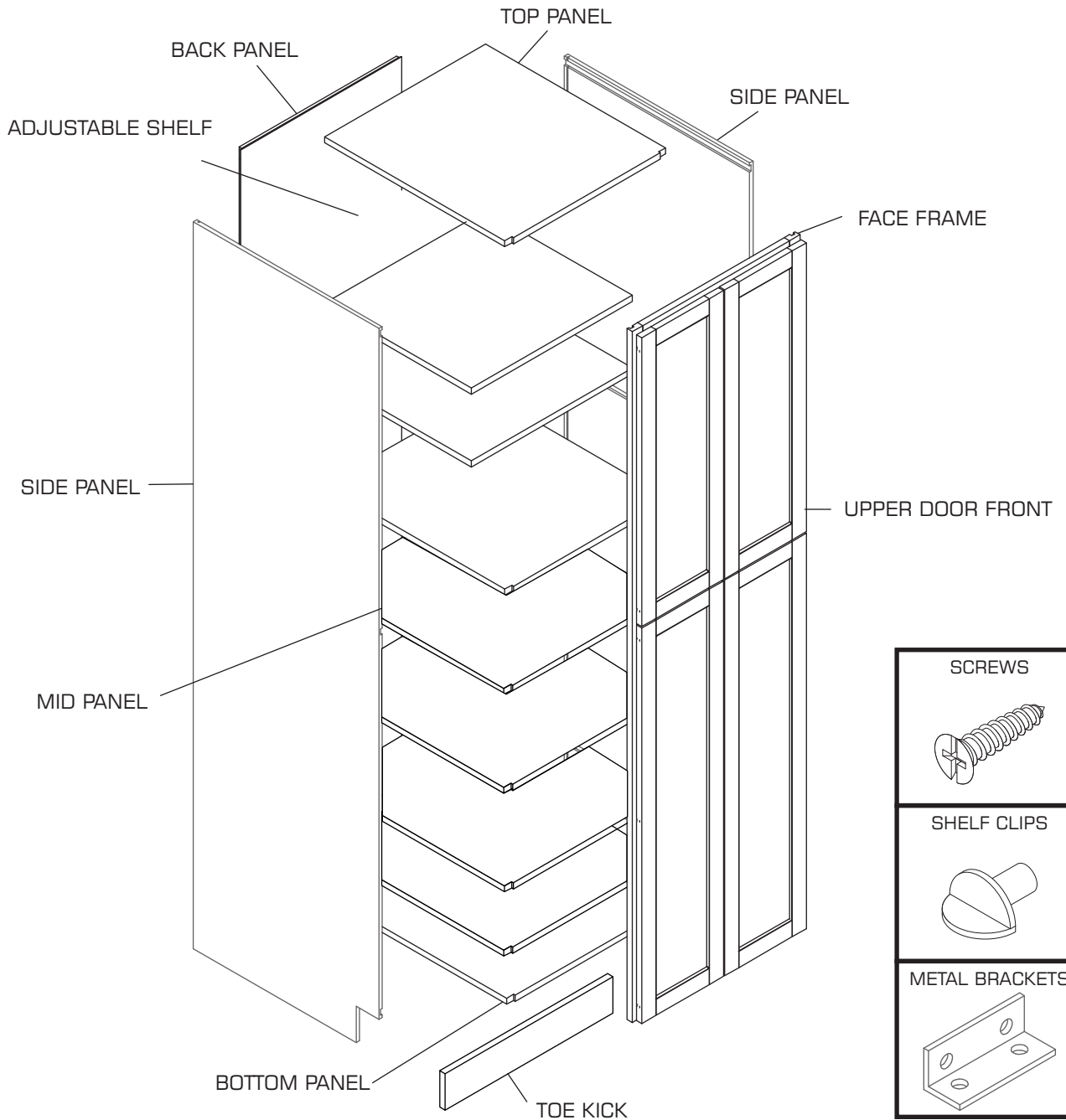
**STEP  
25**



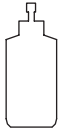



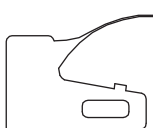
# ASSEMBLING INSTRUCTIONS - WALL CABINET



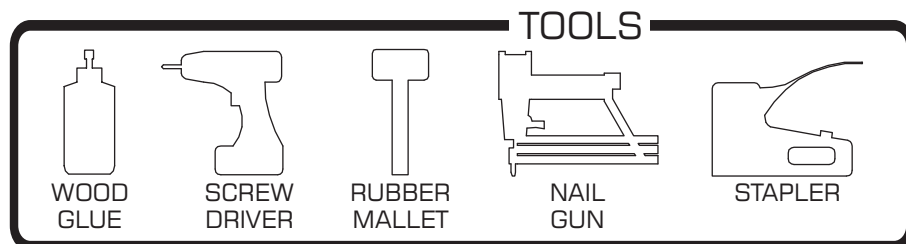
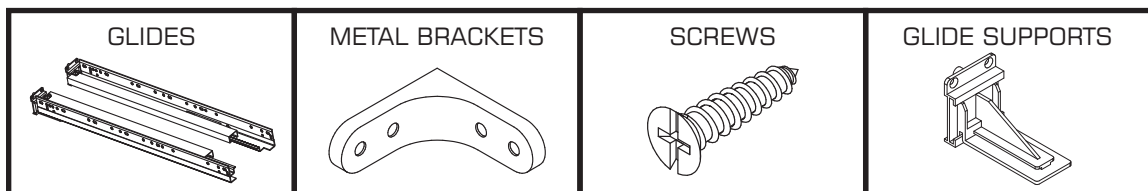
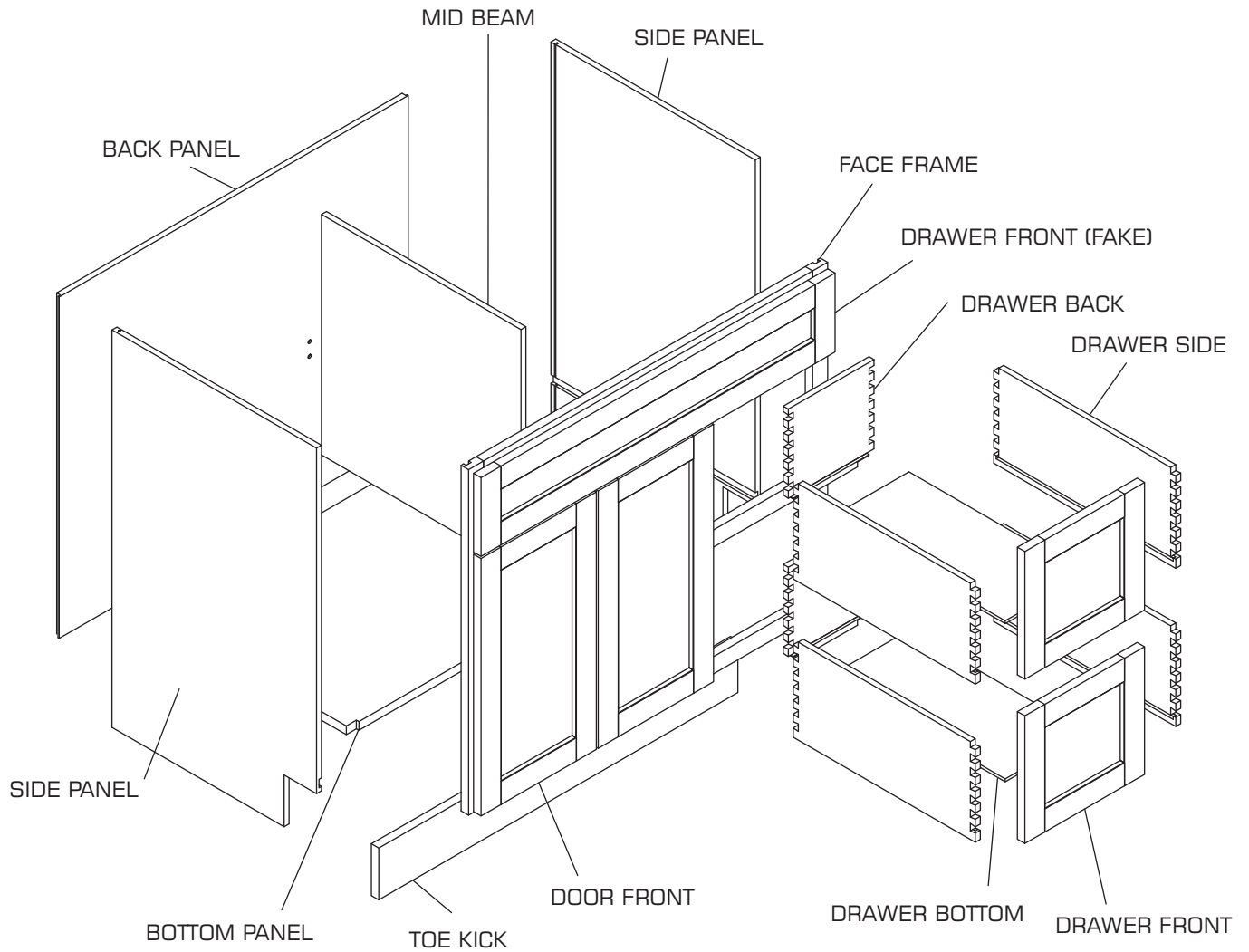
# ASSEMBLING INSTRUCTIONS - TALL PANTRY



**TOOLS**

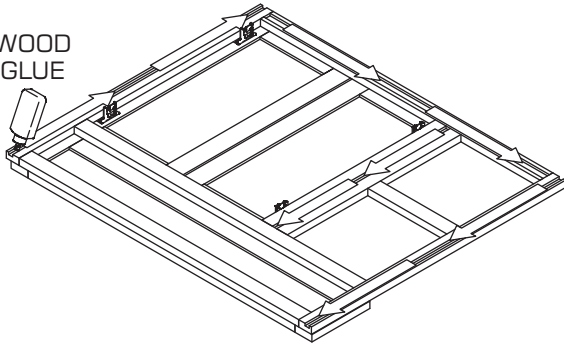
				
WOOD GLUE	SCREW DRIVER	RUBBER MALLETT	NAIL GUN	STAPLER

# ASSEMBLING INSTRUCTIONS - VANITY CABINET

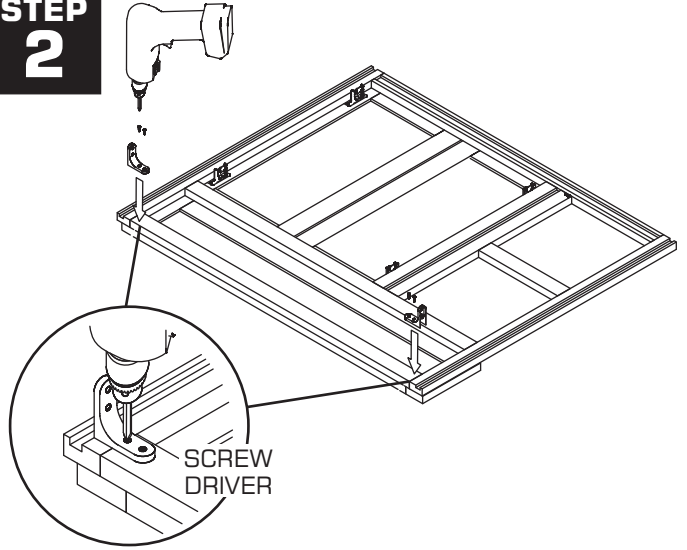


**STEP 1**

WOOD  
GLUE

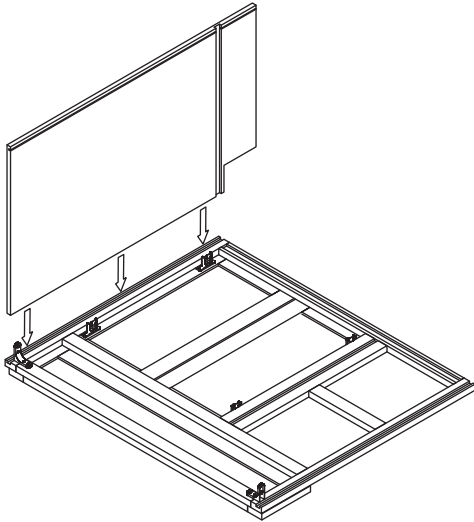


**STEP 2**

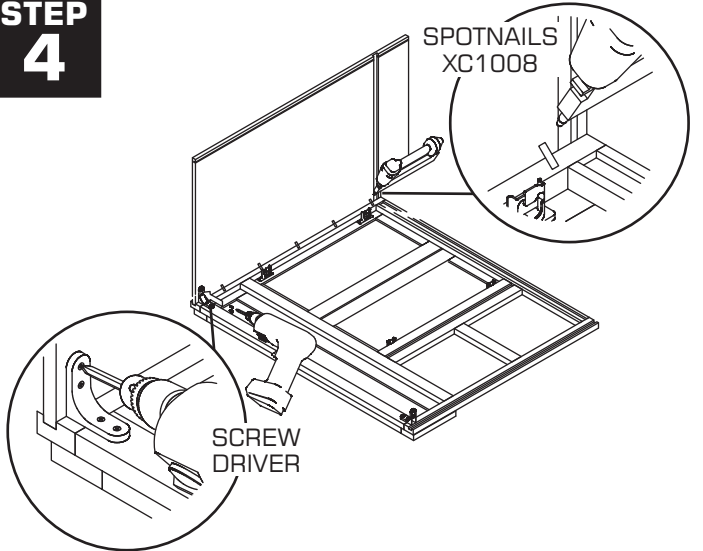


SCREW  
DRIVER

**STEP 3**



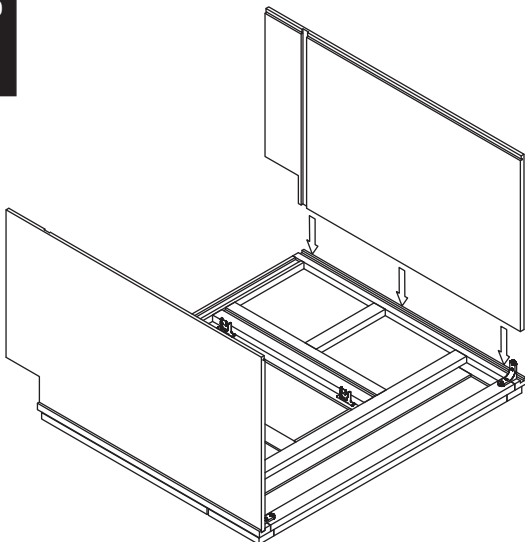
**STEP 4**



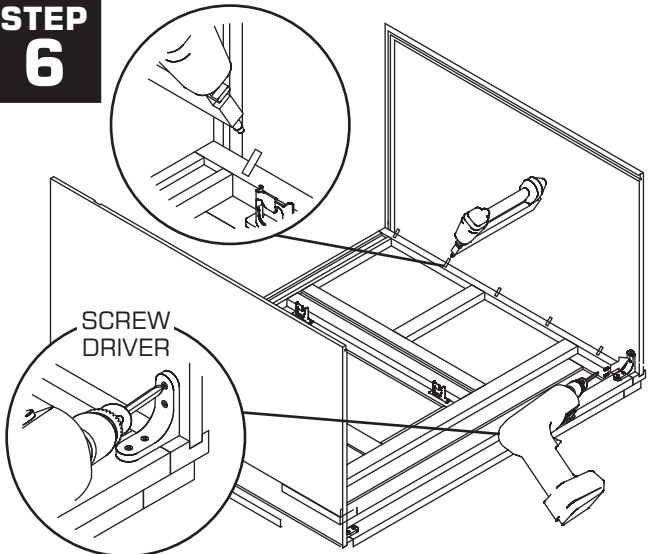
SPOTNAILS  
XC1008

SCREW  
DRIVER

**STEP 5**

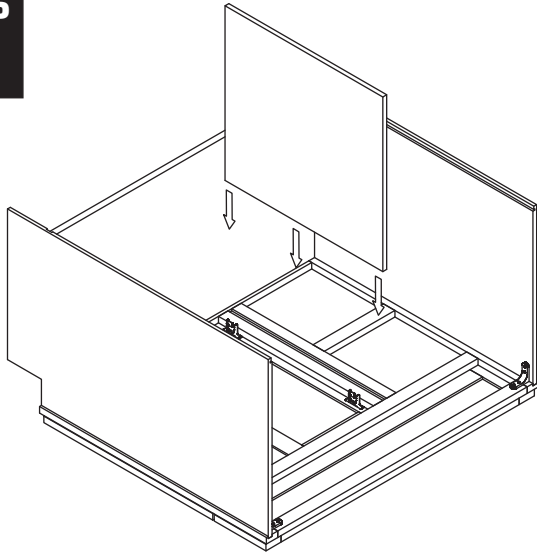


**STEP 6**

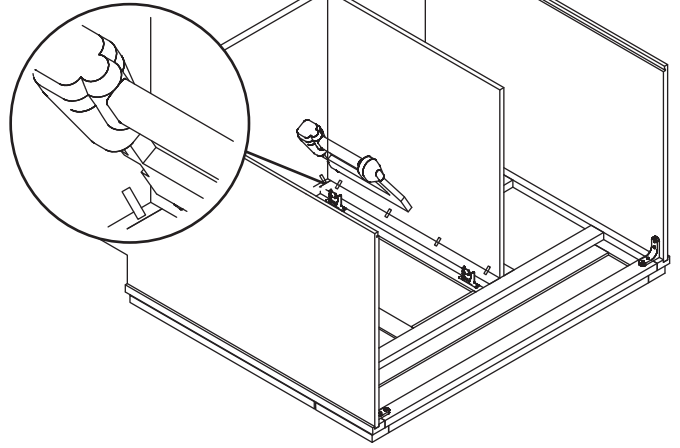


SCREW  
DRIVER

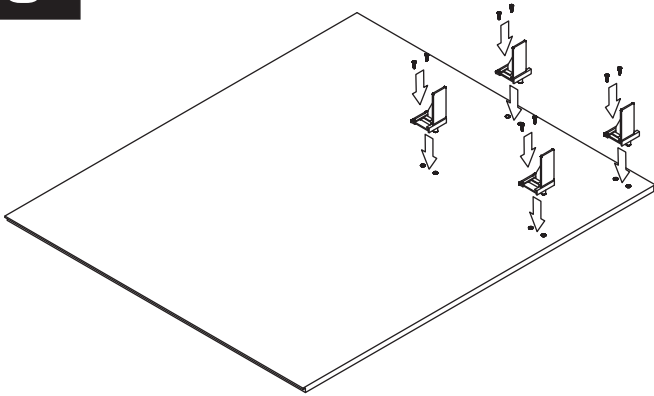
**STEP  
7**



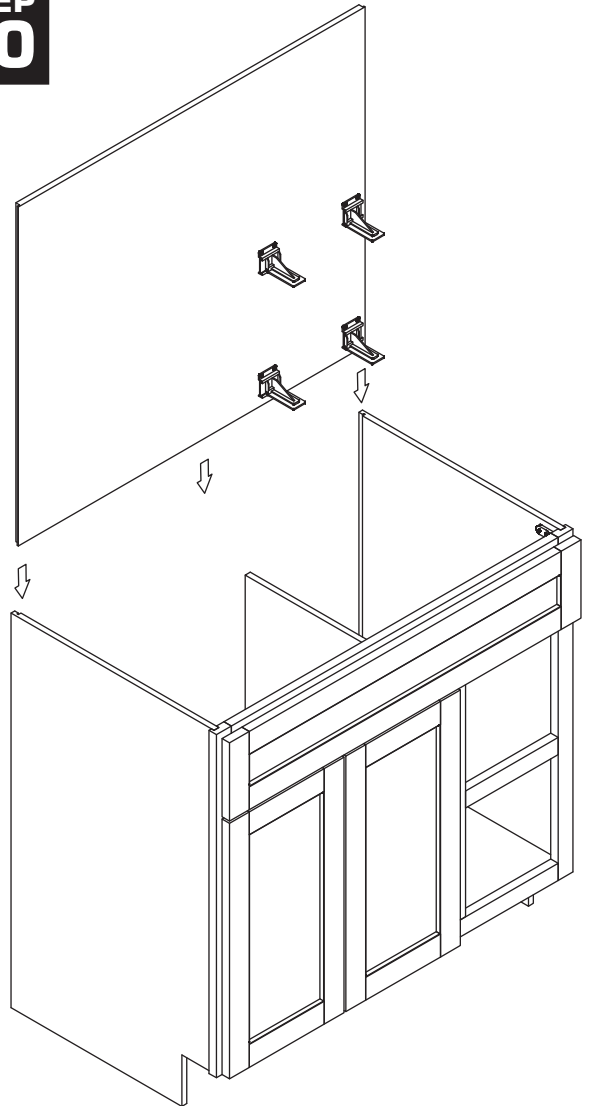
**STEP  
8**



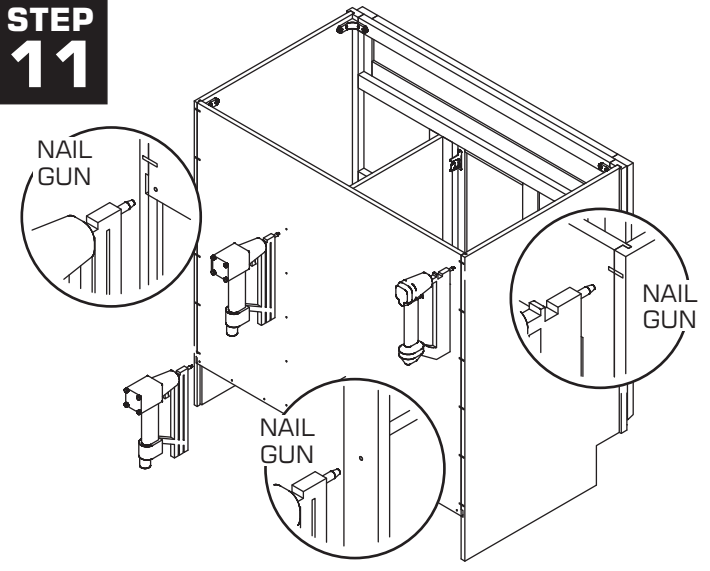
**STEP  
9**



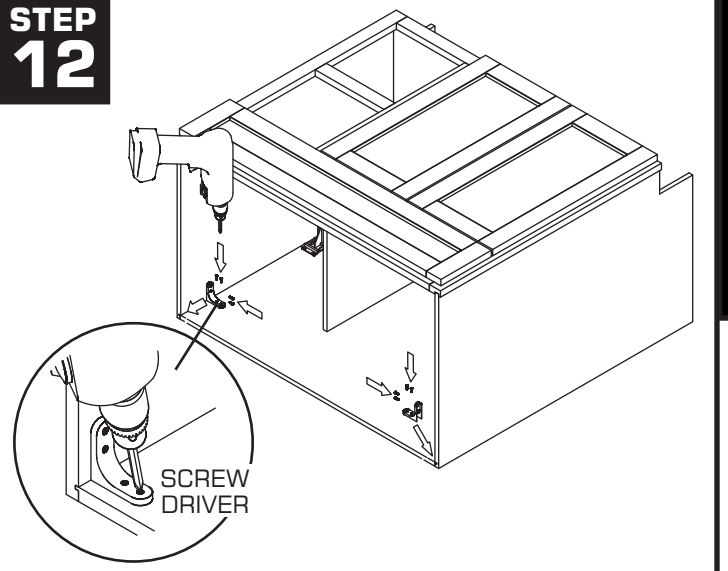
**STEP  
10**



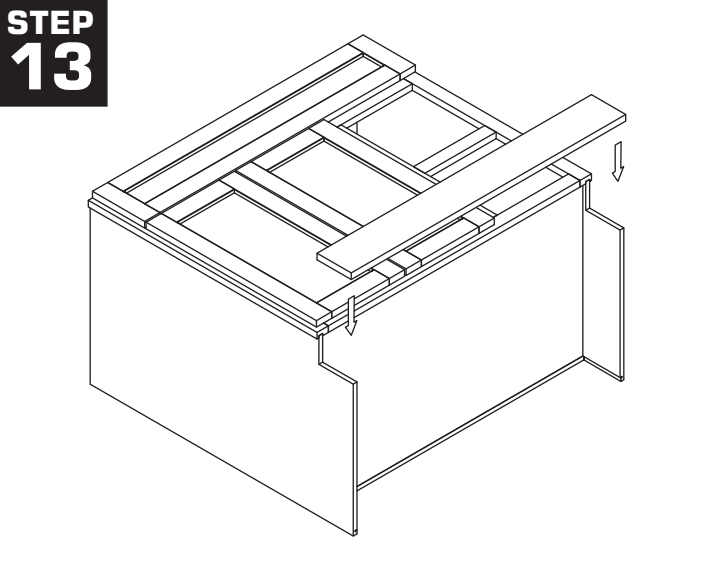
**STEP 11**



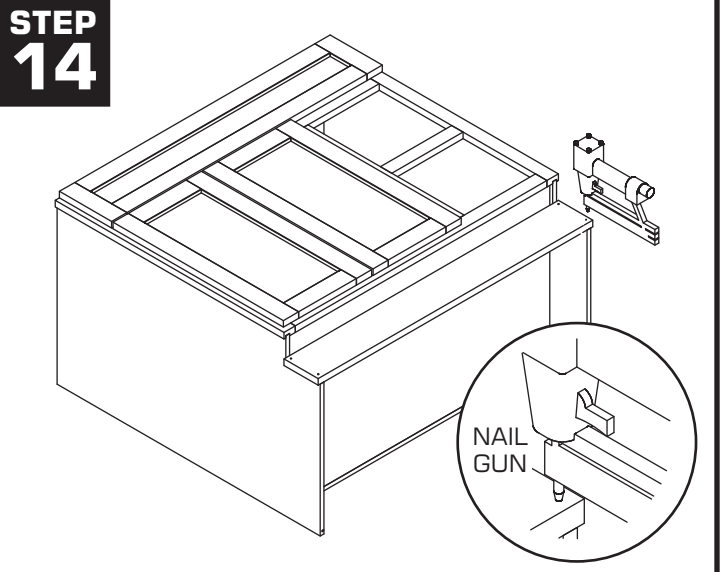
**STEP 12**



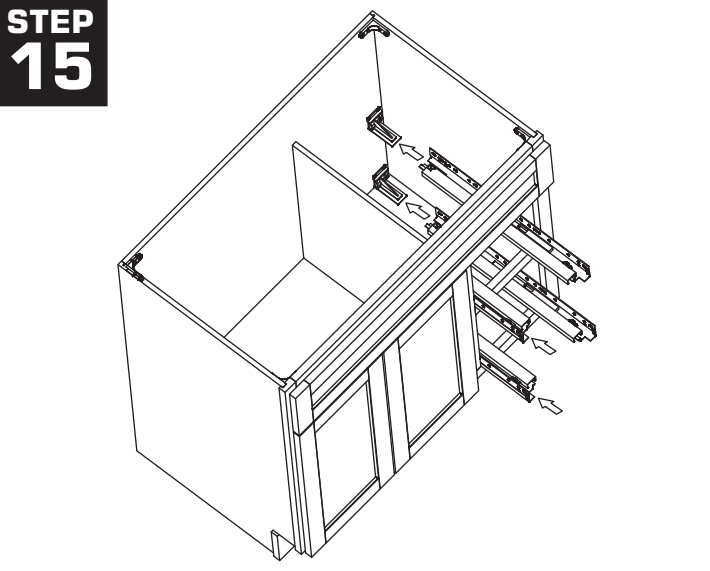
**STEP 13**



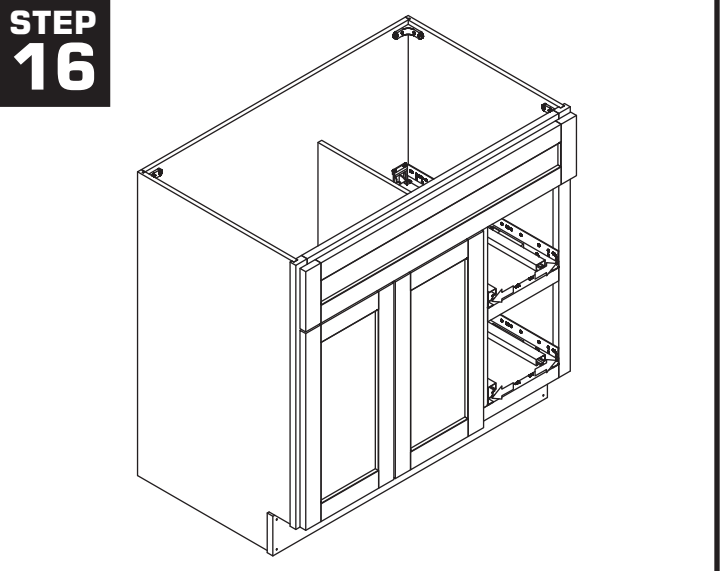
**STEP 14**



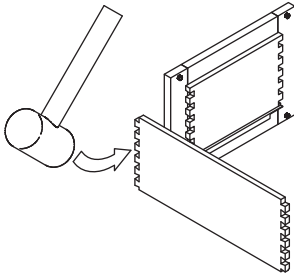
**STEP 15**



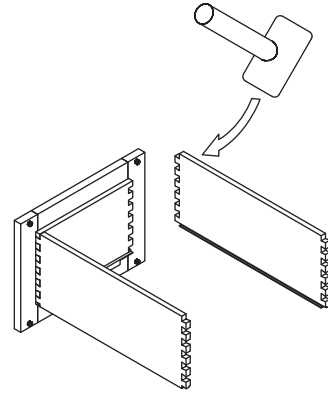
**STEP 16**



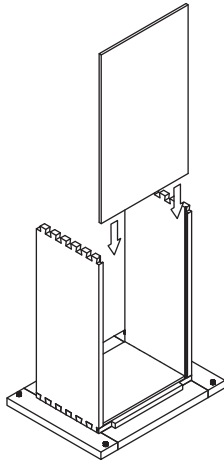
**STEP  
17**



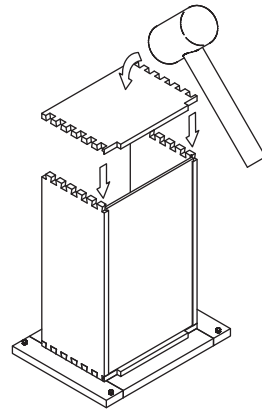
**STEP  
18**



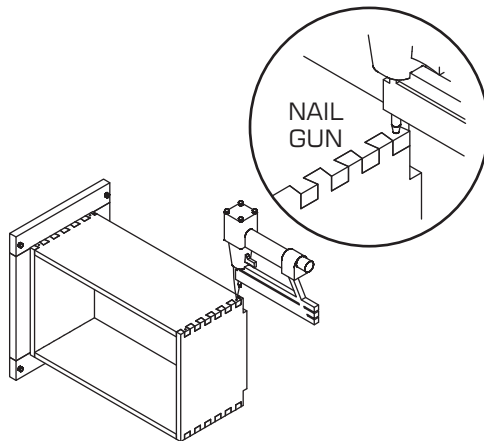
**STEP  
19**



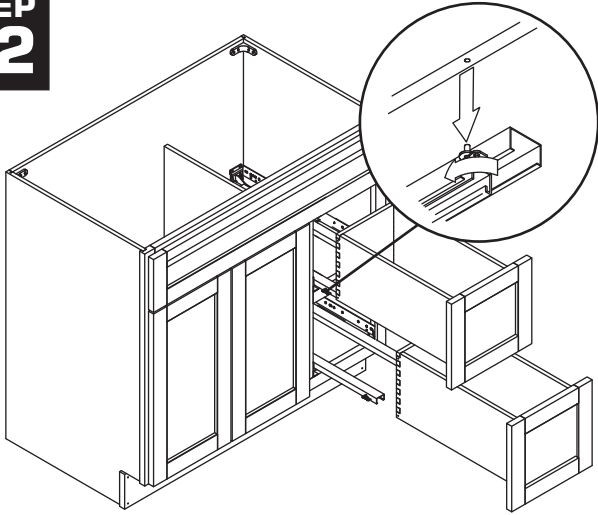
**STEP  
20**



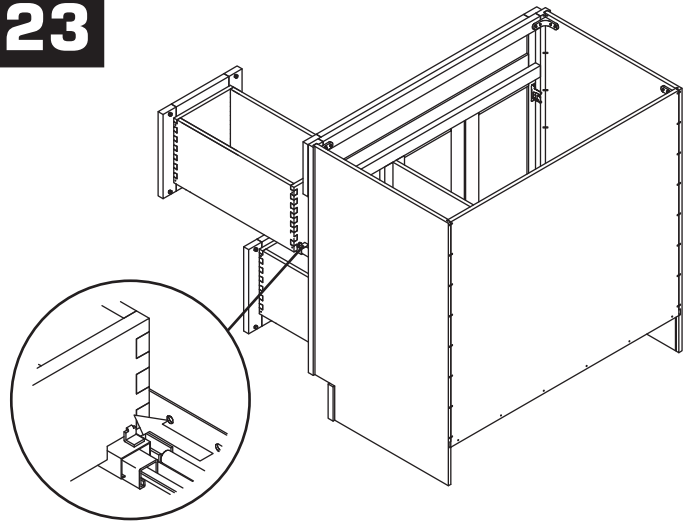
**STEP  
21**



**STEP  
22**



**STEP  
23**



**VANITY CABINET**

**STEP  
24**

