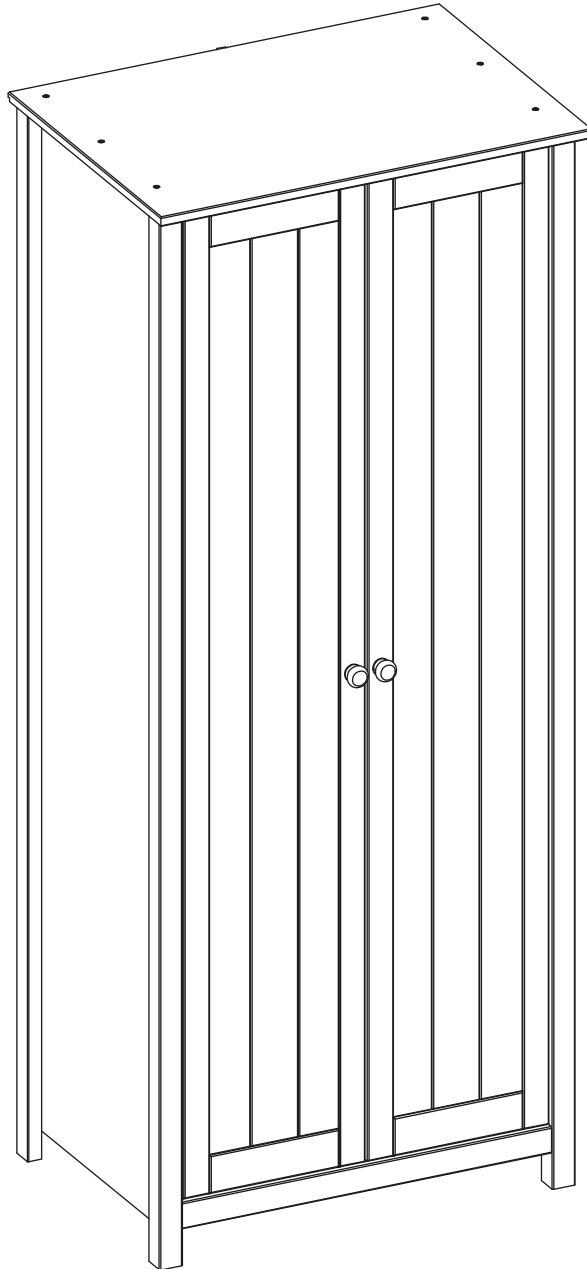
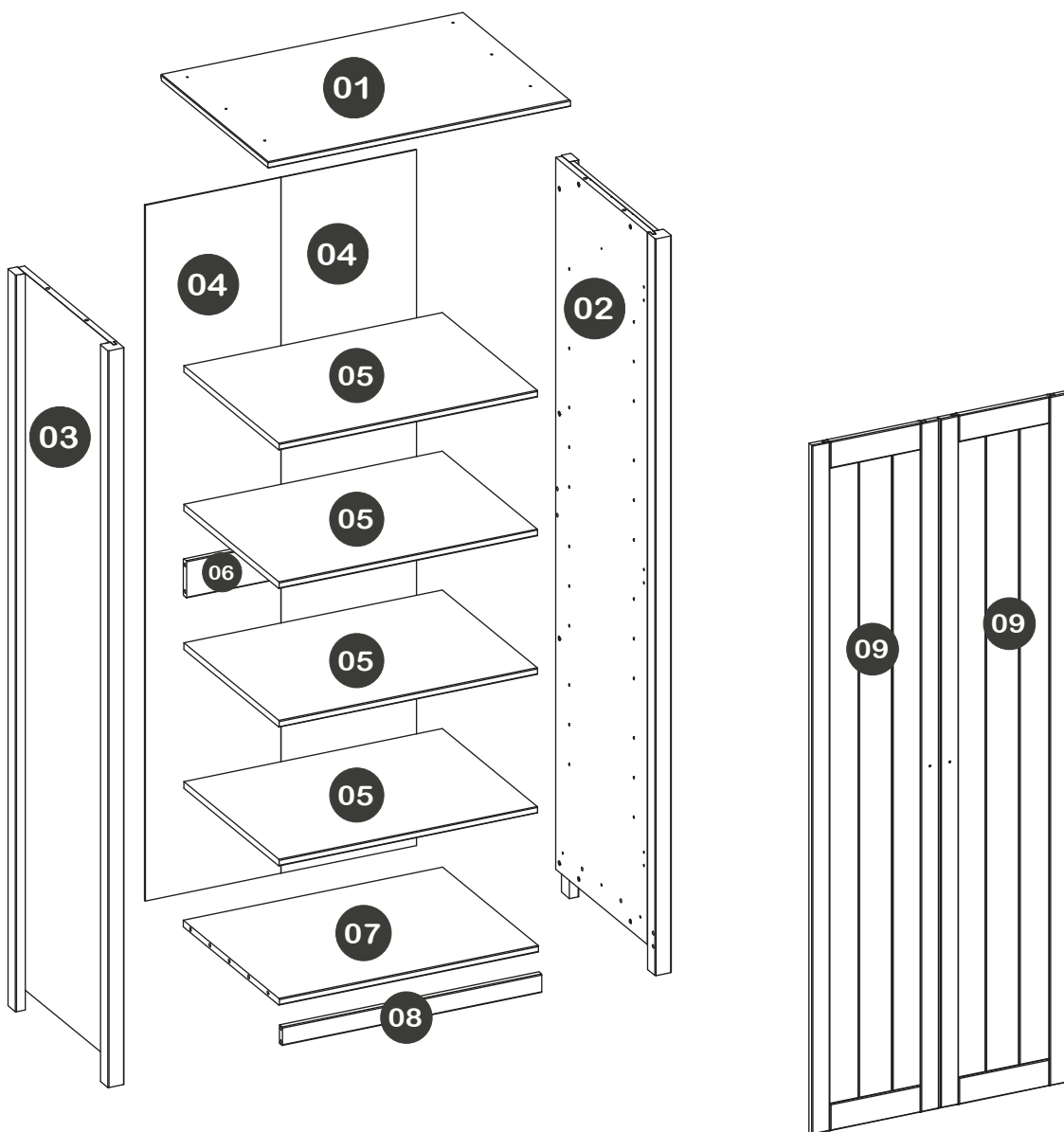
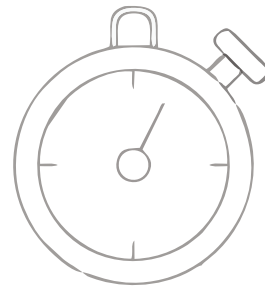
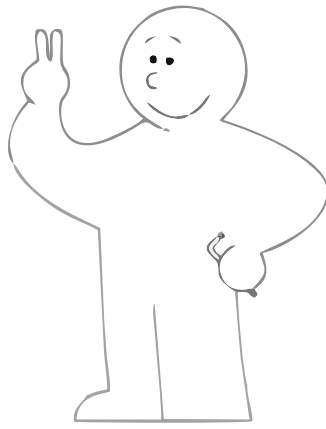
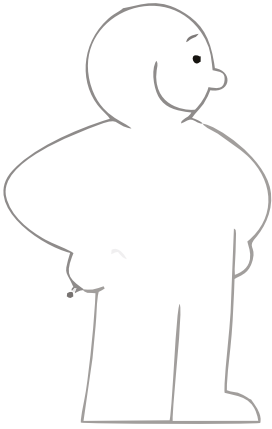


2 DOORS ROBE

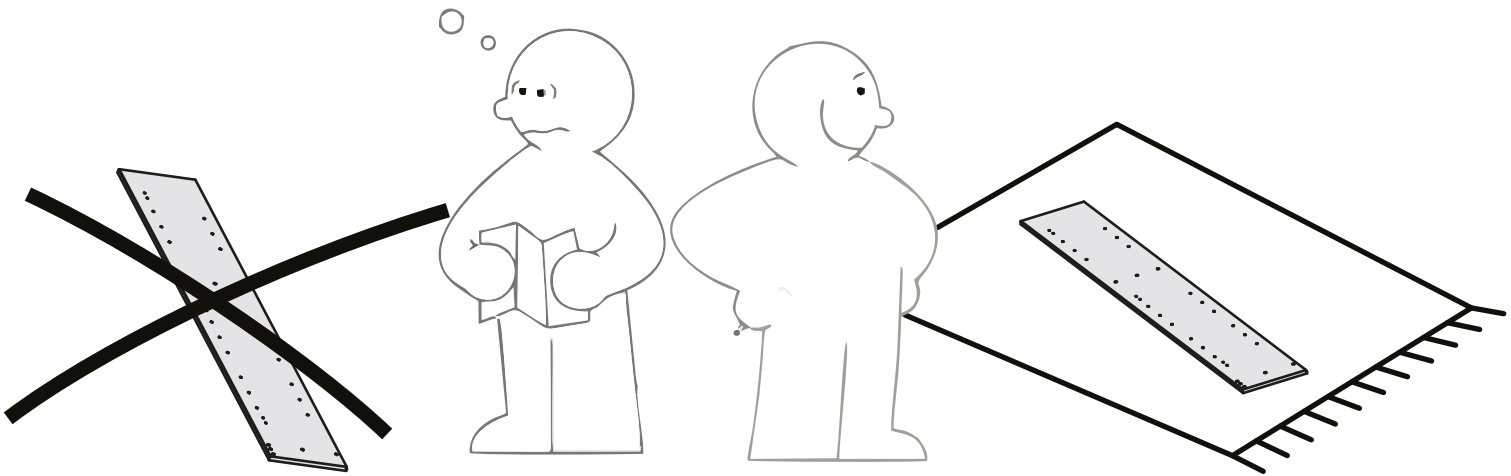


Part	Description	Dimensions (in)	Qty.
01	Top panel	29,5 x 20,9	01
02	Right side panel	70,2 x 19,6	01
03	Left side panel	70,2 x 19,6	01
04	Back panel	66,3 x 13,2	02
05	Shelf	25,2 x 18,5	04
06	Central rail	25,3 x 3,5	01
07	Bottom panel	25,3 x 18,6	01
08	Bottom rail	25,3 x 1,8	01
09	Door	65,7 x 12,4	02

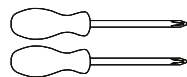
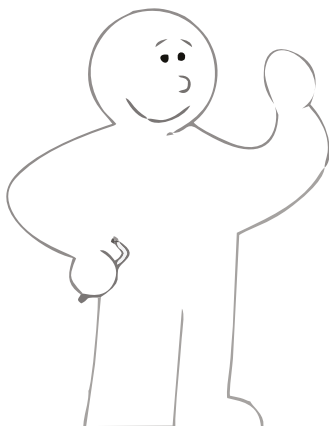




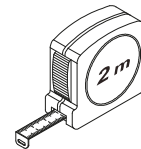
35 Min



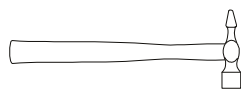
Tools required



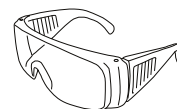
**Phillips screwdriver
(medium & large)**



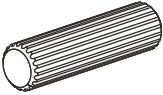
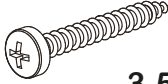
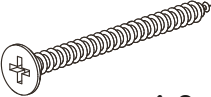
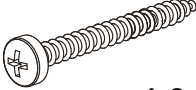

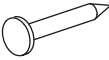
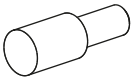
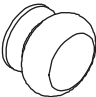
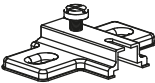

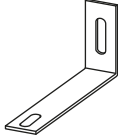

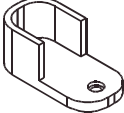
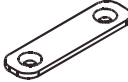


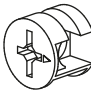
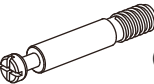
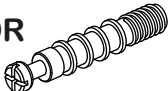


**Ruler/tape
measure**



**Small
hammer**



**Eye protection
(when using a
hammer or glue)**

A	 8x30mm	16	B	 3,5x30mm	04
C	 4,0x50mm	06	D	 4,0x40mm	02
E	 4,0x16mm	30	F		34
G		16	H		02
I		06	J		06
L		02	K		04
M		02	N		02
O		01	P	 3,0x16mm	10
Q		06	R	 OR 	06
S	 635mm	01	T		02

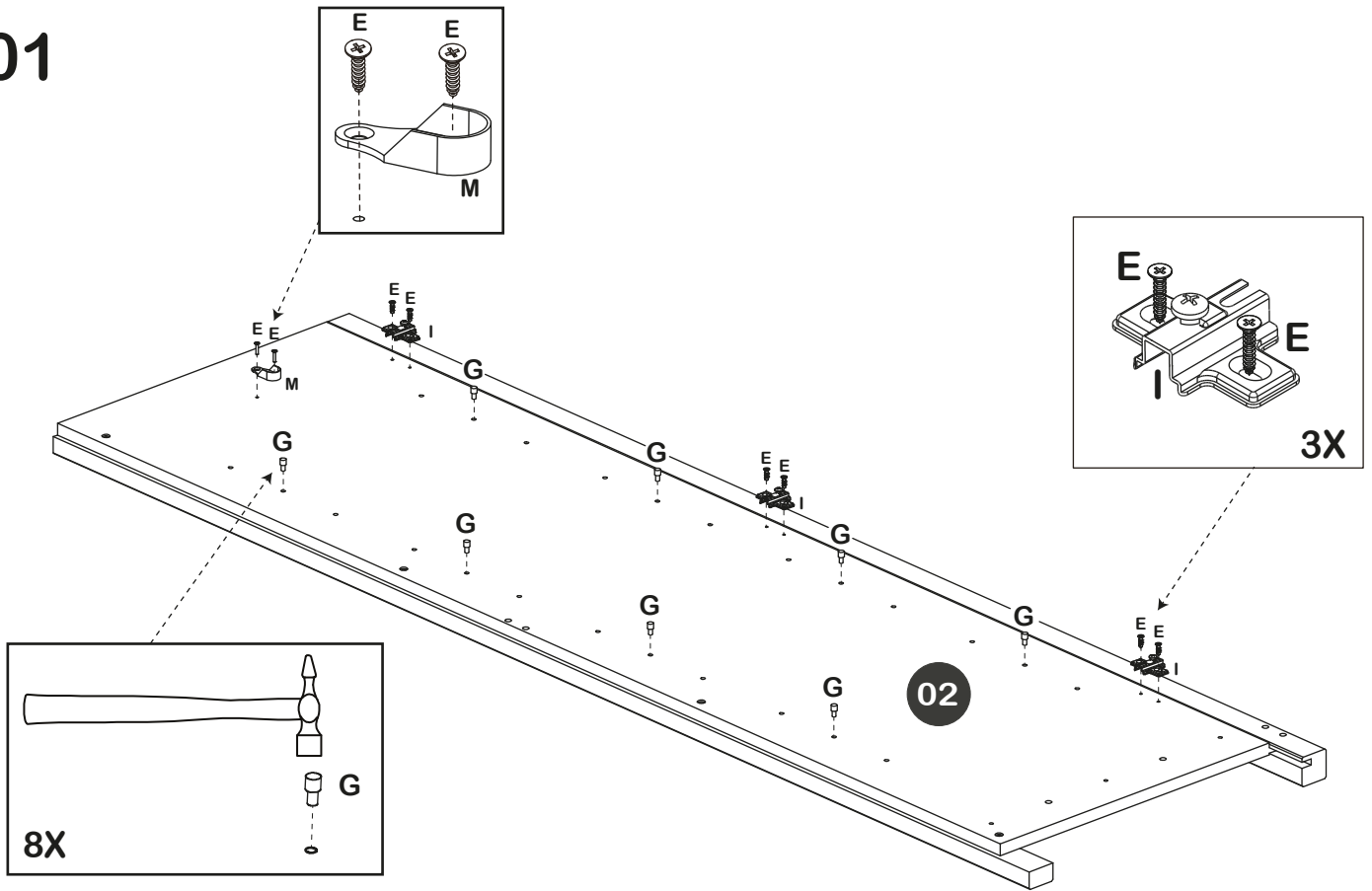


HARDWARE IS LOCATED INSIDE A CARDBOARD BOX ! CHECK FOR IT BEFORE DISPOSING PACKAGING

Ruler - Use this ruler to help correctly identify the screws

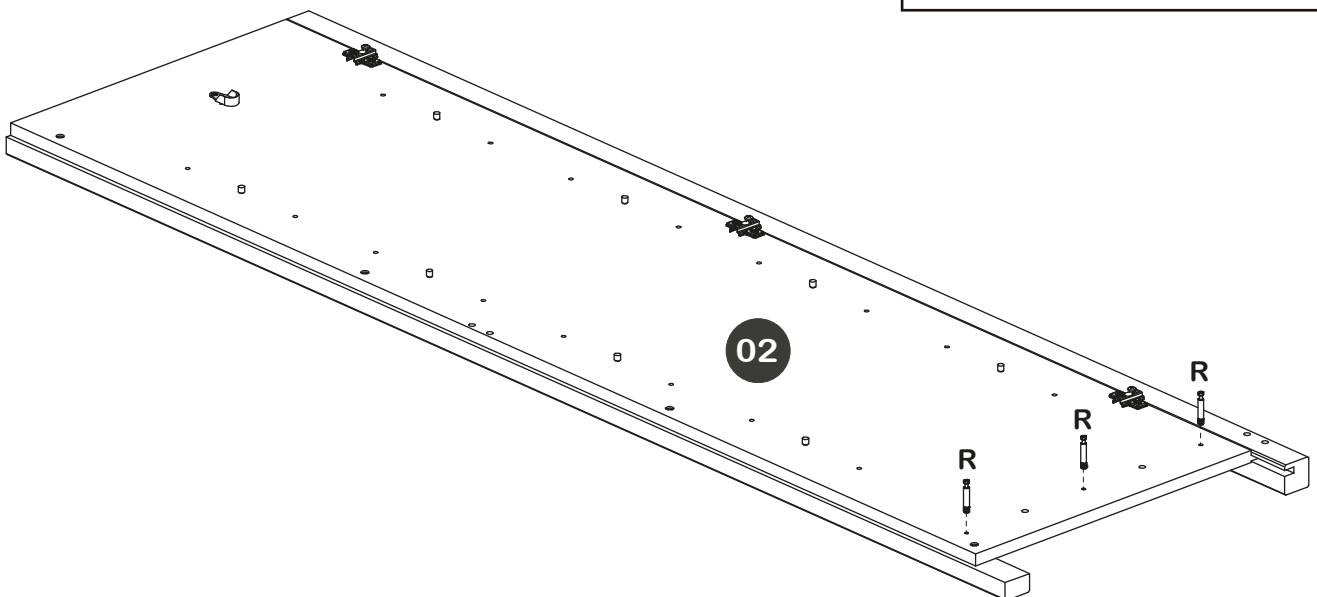
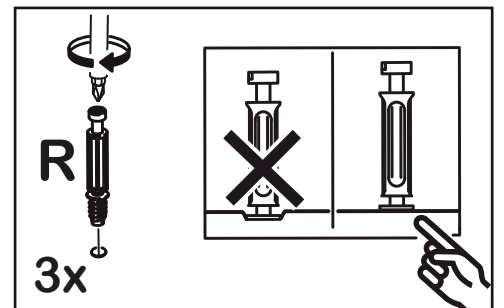


01



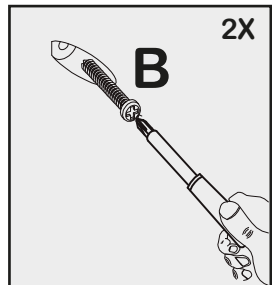
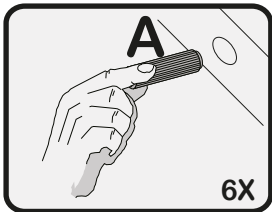
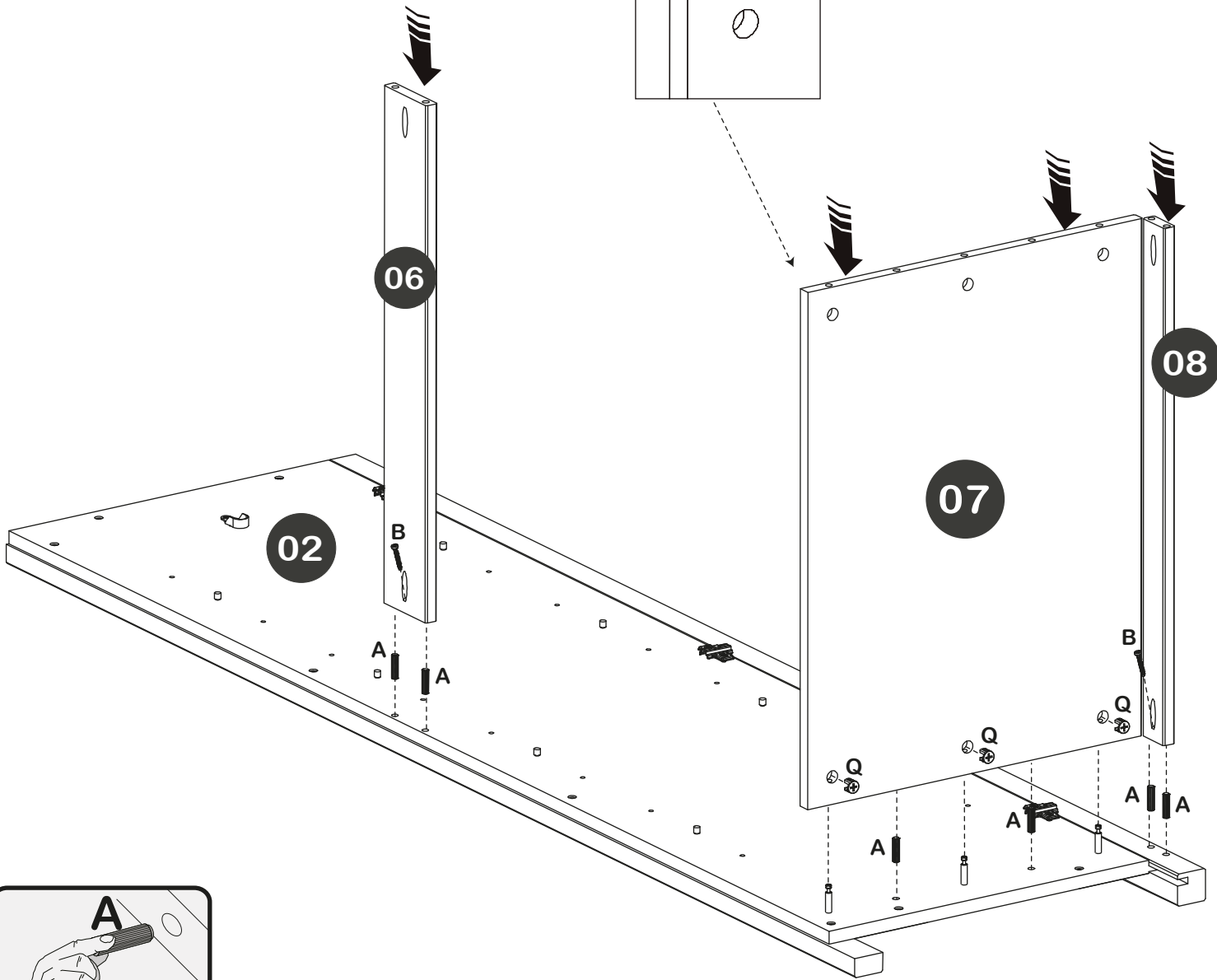
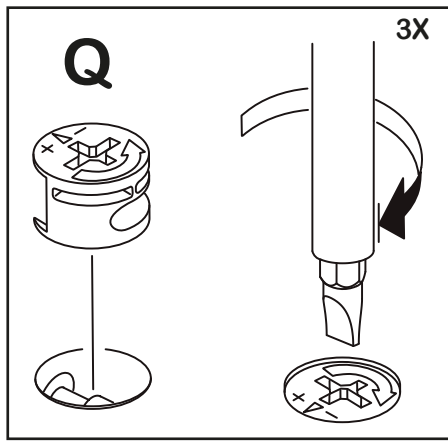
M		01	G		08	I		03	E		08	4,0x16mm
---	--	----	---	--	----	---	--	----	---	--	----	----------

02



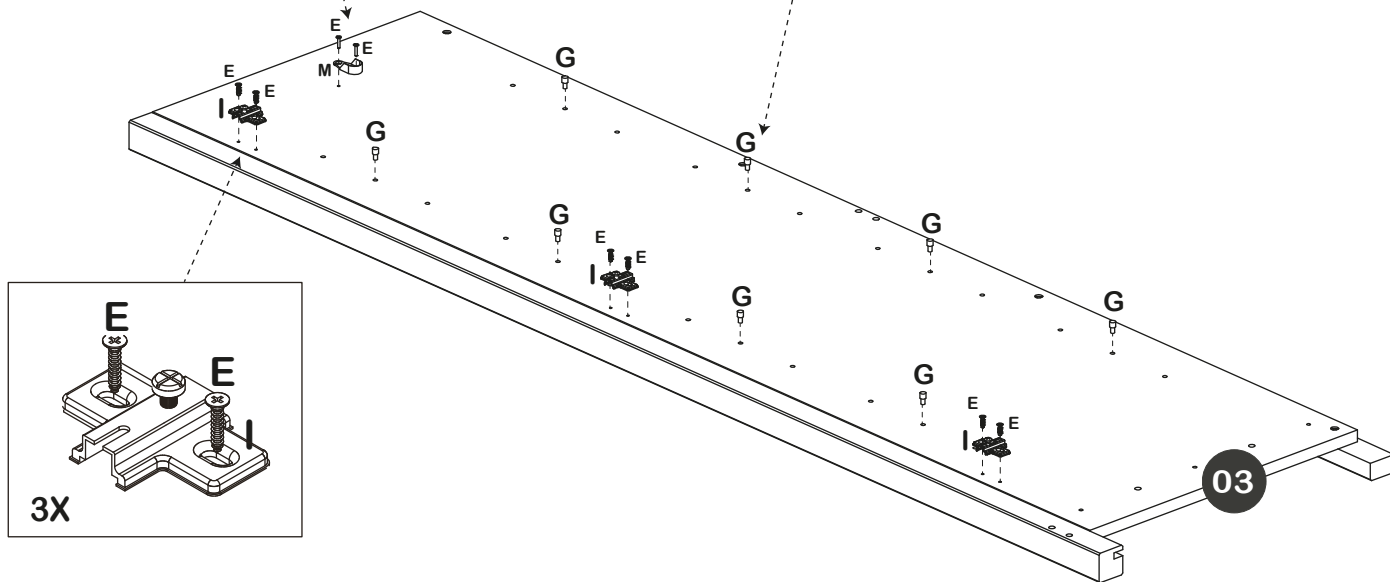
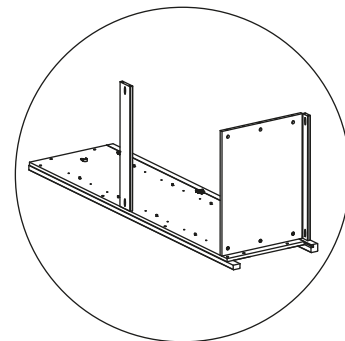
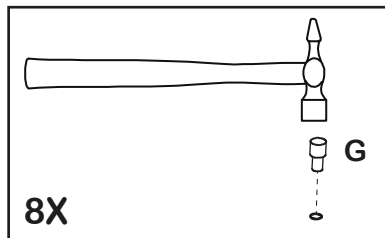
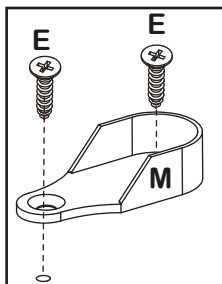
R		03
---	--	----

03



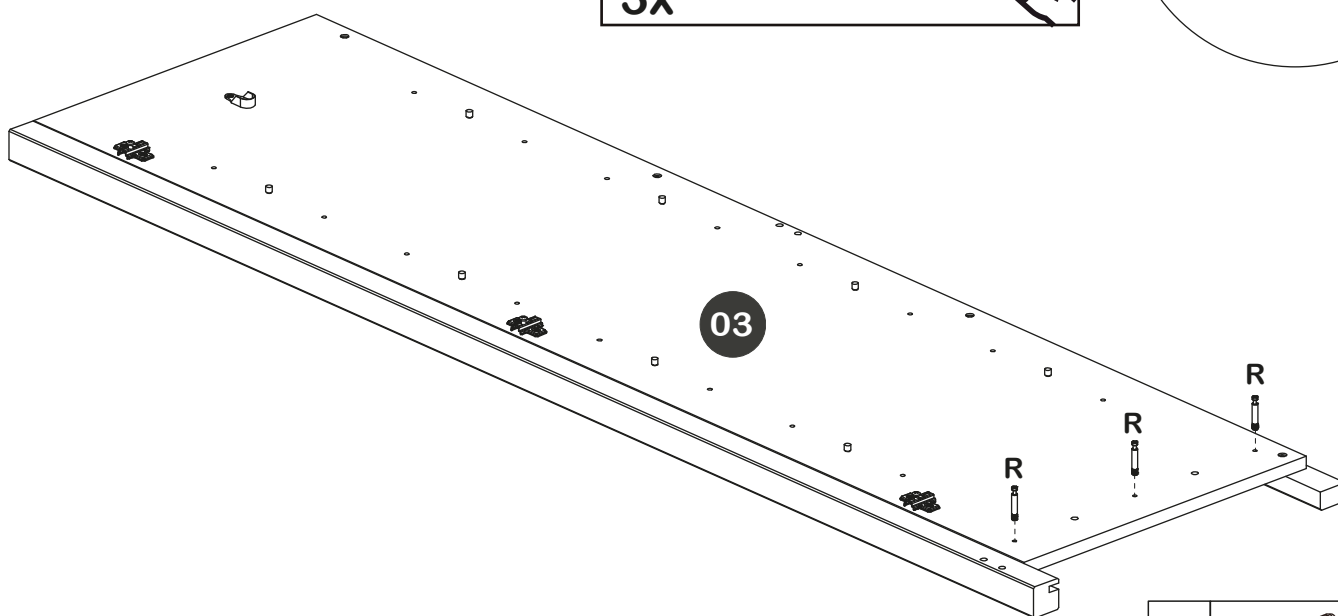
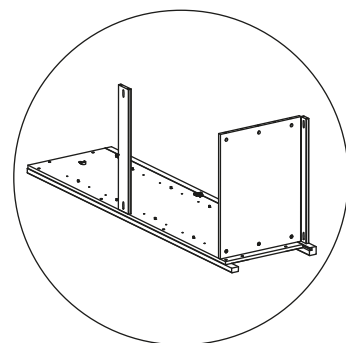
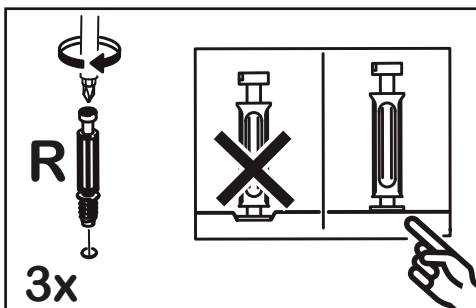
Q		03	A		06	B		02
				8x30mm			3,5x30mm	

04



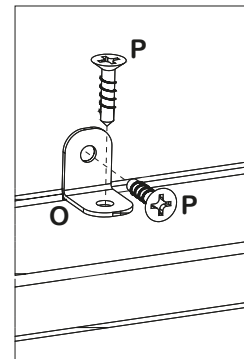
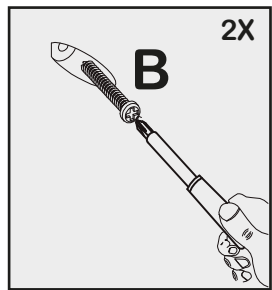
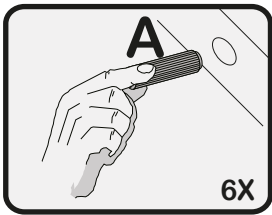
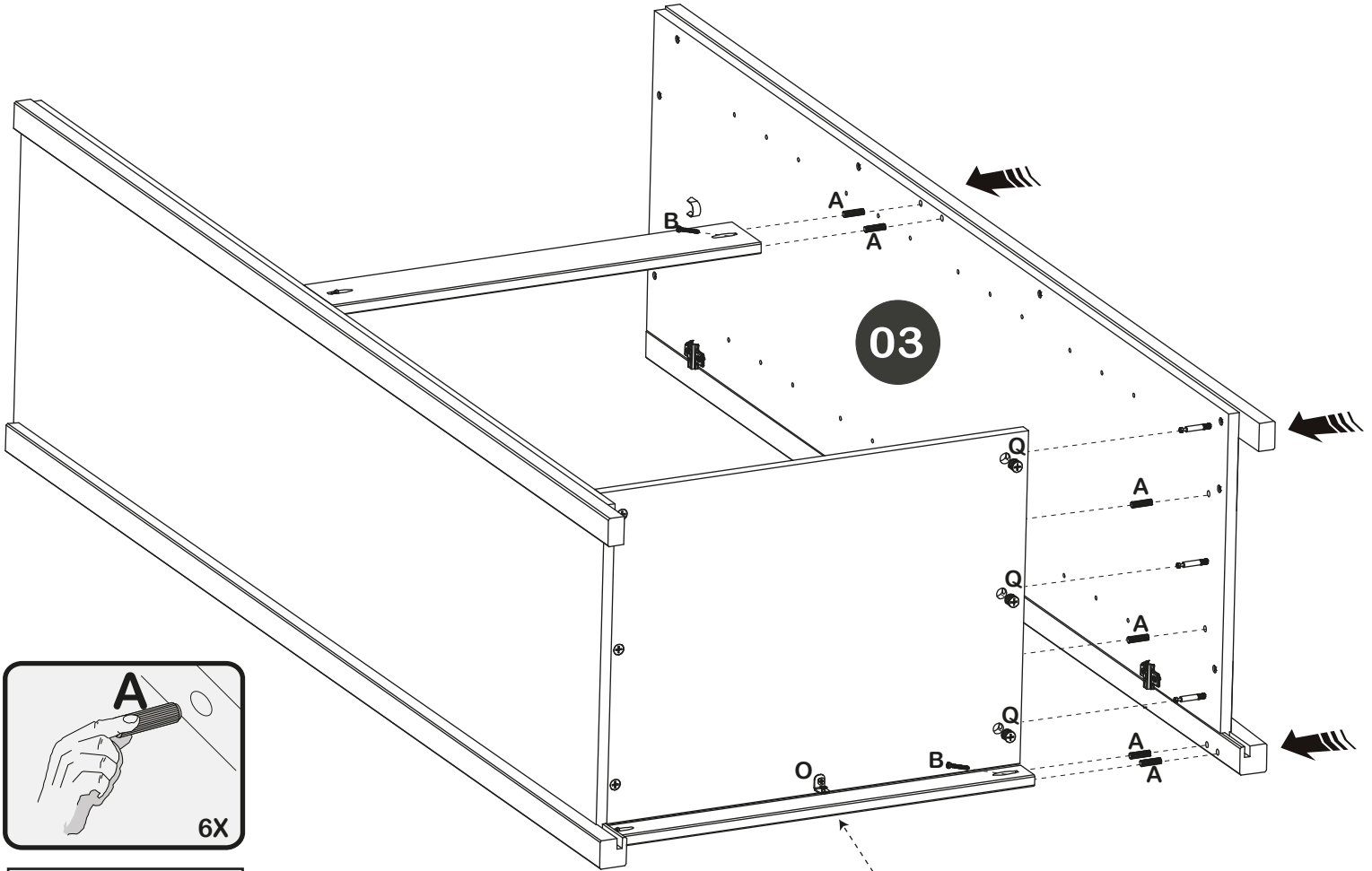
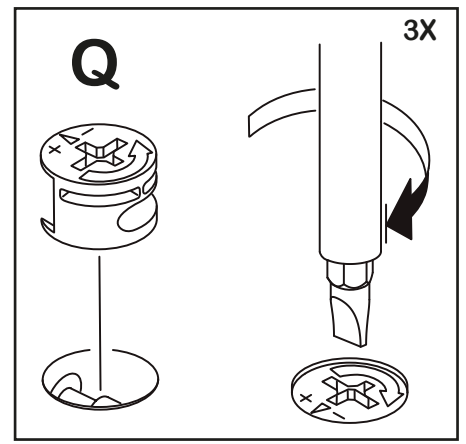
M		01	G		08	I		03	E		08
---	--	----	---	--	----	---	--	----	---	--	----

05



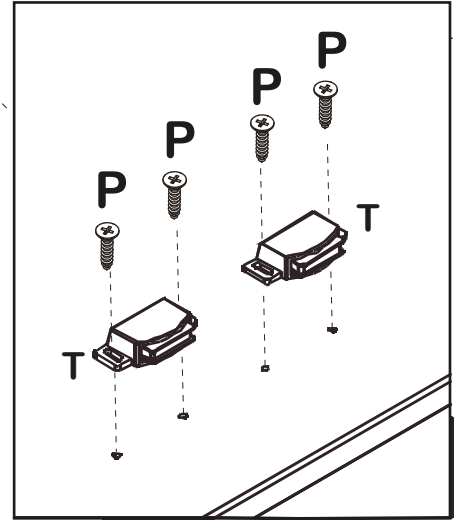
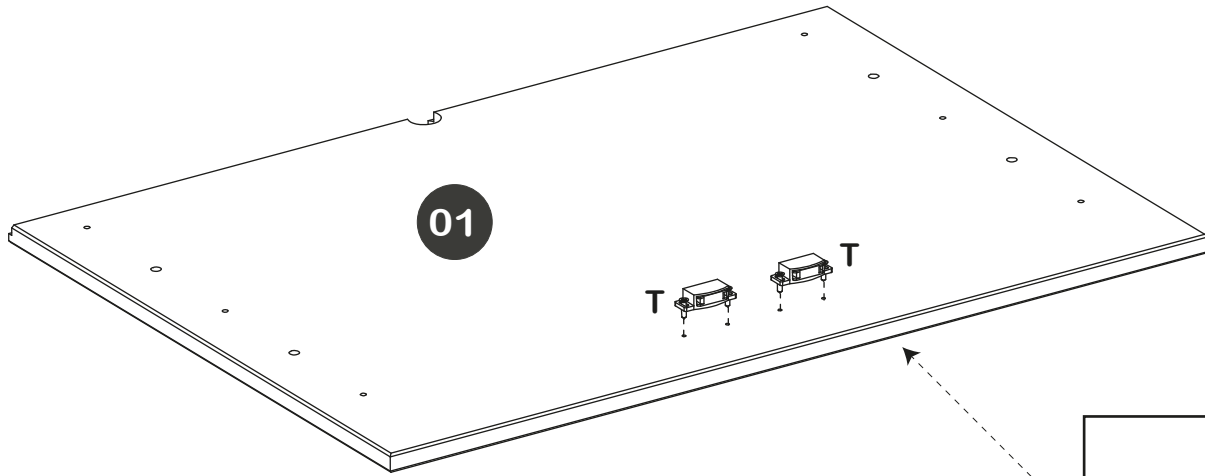
R		03
---	--	----



06



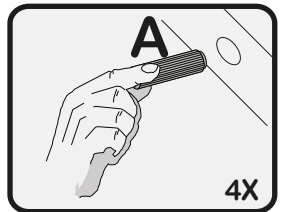
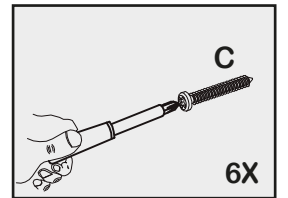
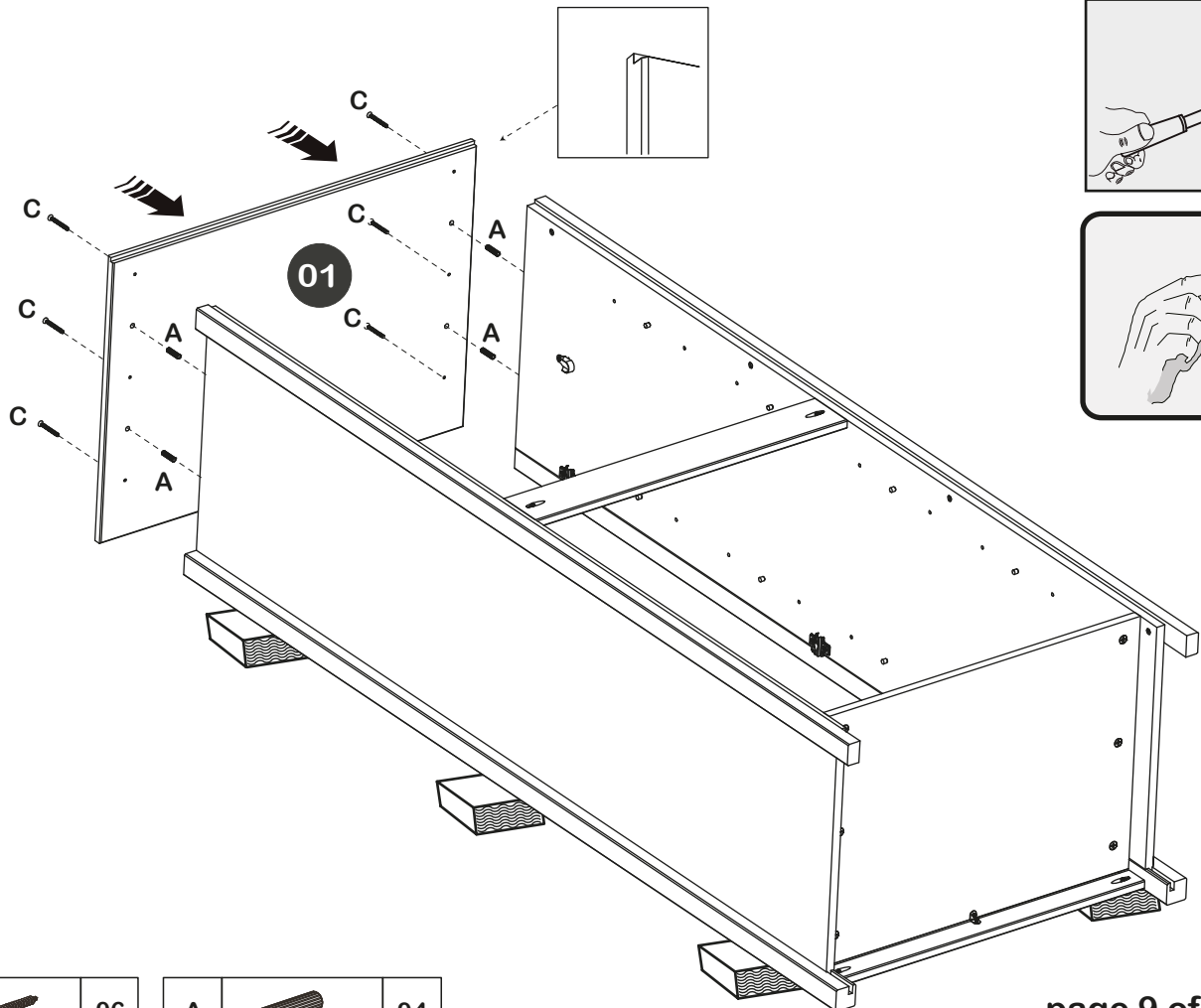
P		02	O		01	Q		03	A		06	B		02
	3,0x16mm									8x30mm			3,5x30mm	



07



T		02	P		04
				3,0x16mm	

08

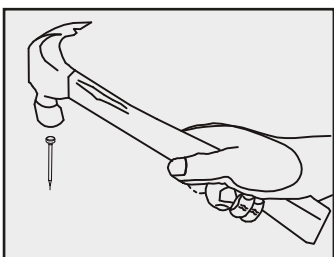
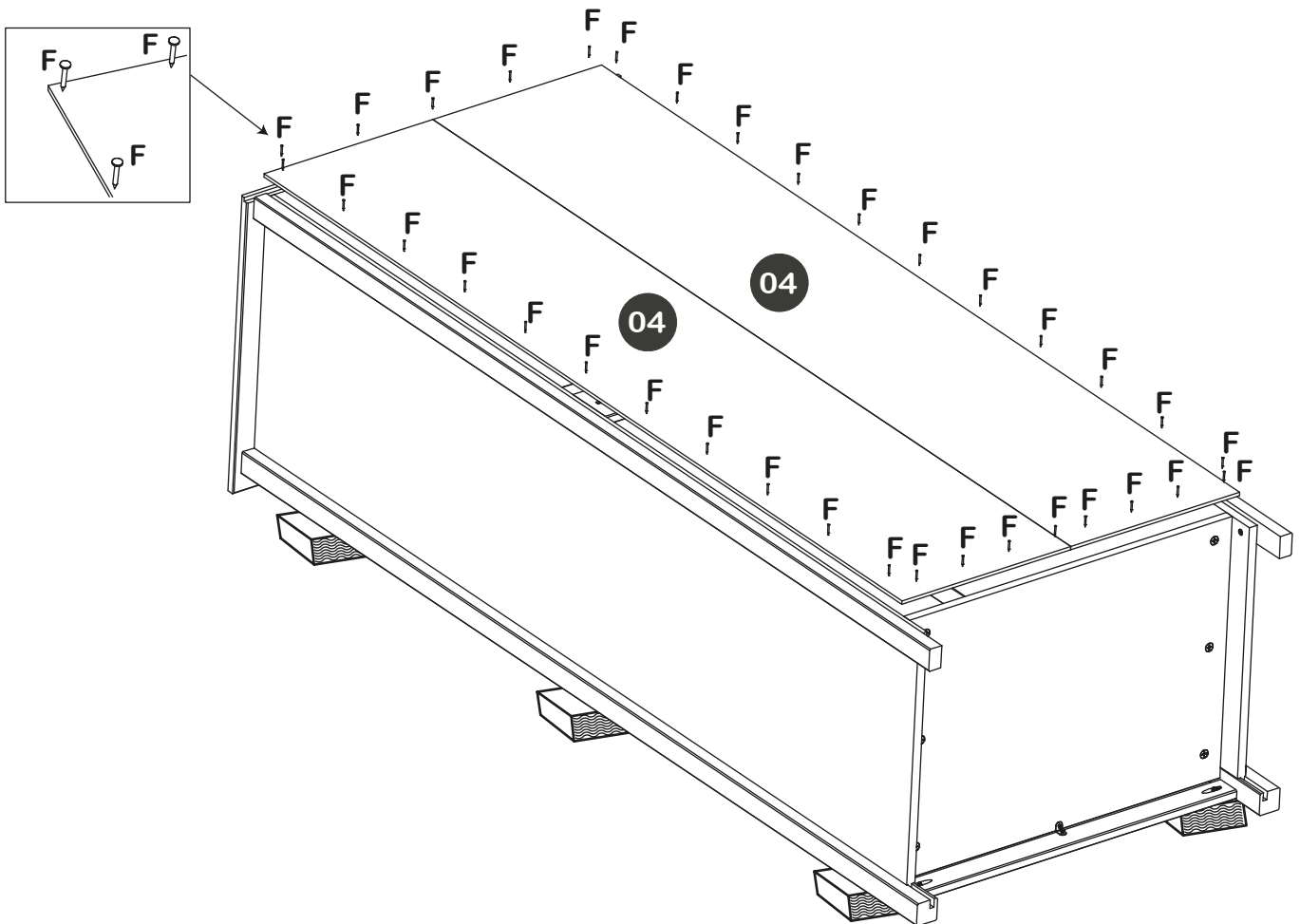
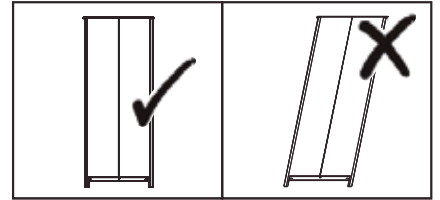


C		06	A		04
		4,0x50mm			8x30mm



Important:

Cabinet **MUST** be 'square' when back panel is attached.



Use all back panels nails. Evenly spaced, they help make the unit strong.

F		34
---	--	----

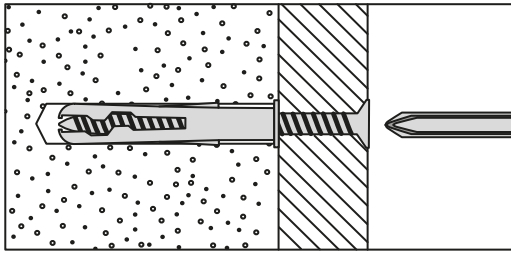
Wall Anchoring Guide:

The hardware you should use to secure your chest of drawers to the wall depends on your wall material.

Ensure you use the required drill bit to match the wall plug and hole size. Seek professional advice if in doubt. Note: Wall plugs not supplied.

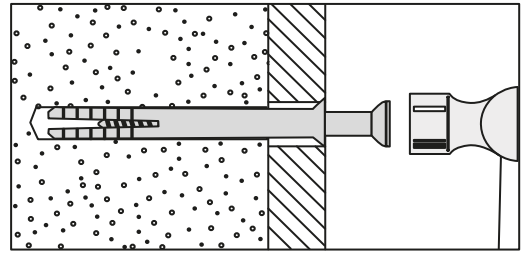
Types of wall: you can use one of the following types of wall plugs if your walls are made of brick, breeze block, concrete, stone or wood.

General Purpose wall plug



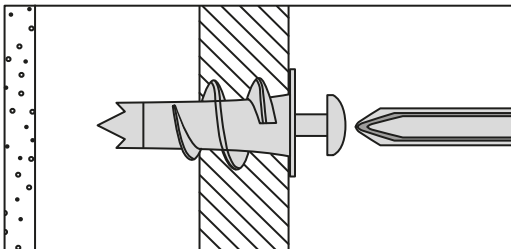
Generally aerated blocks should not be used to support heavy loads, use a specialist fitting in this case. For light loads, general purpose wall plugs can be used.

Hammer Fixing wall plug



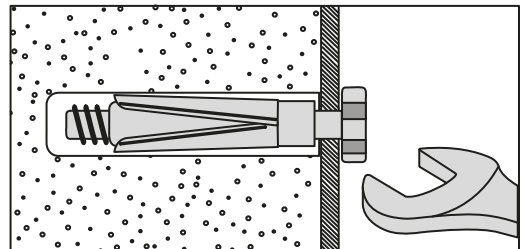
For use with walls stuck with plasterboard. The hammer fixing allows it to be fixed to the wall rather than the plasterboard. Always check the fixing is secure to the retaining wall.

Plasterboard wall plug



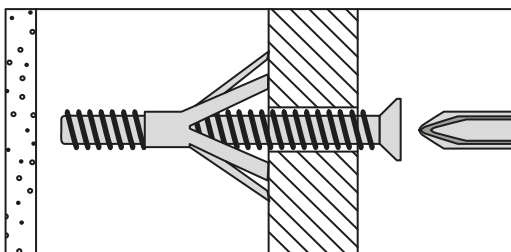
For use when attaching light loads on plasterboards partitions.

Wall plug Heavy loads



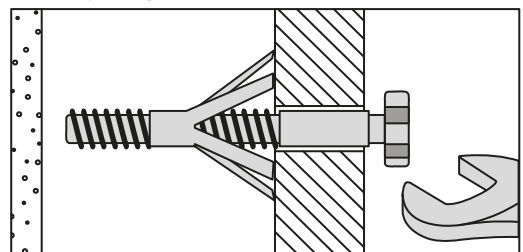
For use with heavier loads such as TV & HiFi speakers and satellite dishes etc.

Cavity Fixing wall plug



For use with plasterboard partitions or hollow wooden doors.

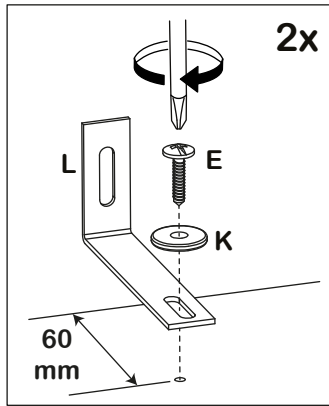
Cavity Fixing-Heavy Duty wall plug



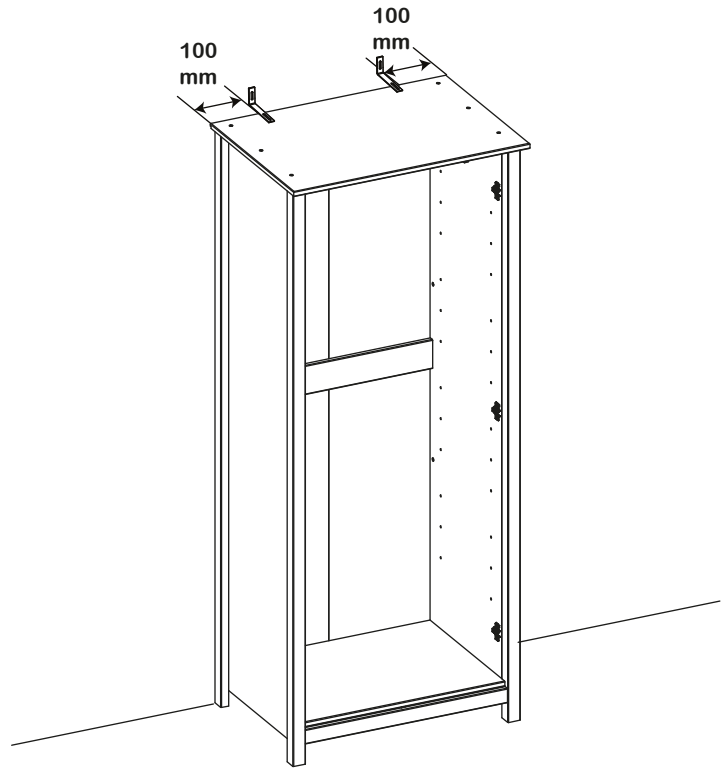
For use when fitting or supporting heavy loads such as shelving, wall cabinets and coat racks.




If your wall material is not listed here, or if you have any questions, consult your local hardware store.

11

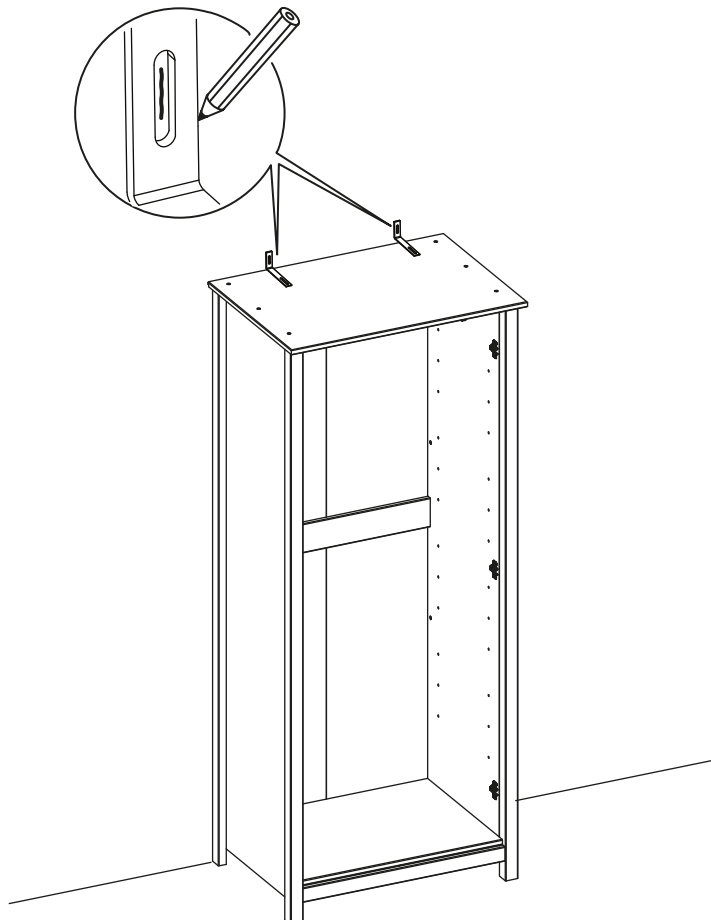


For fixing the tipover restraint: place the hardware L as shown, then following the appropriate pictogram instructions, drive the Screw E with the washer K and tighten screw firmly in the Top Panel.



K		02	L		02	E		4.0x16mm	02
---	---	----	---	---	----	---	---	----------	----

12



Position the furniture into place and make a mark to the wall, as shown.

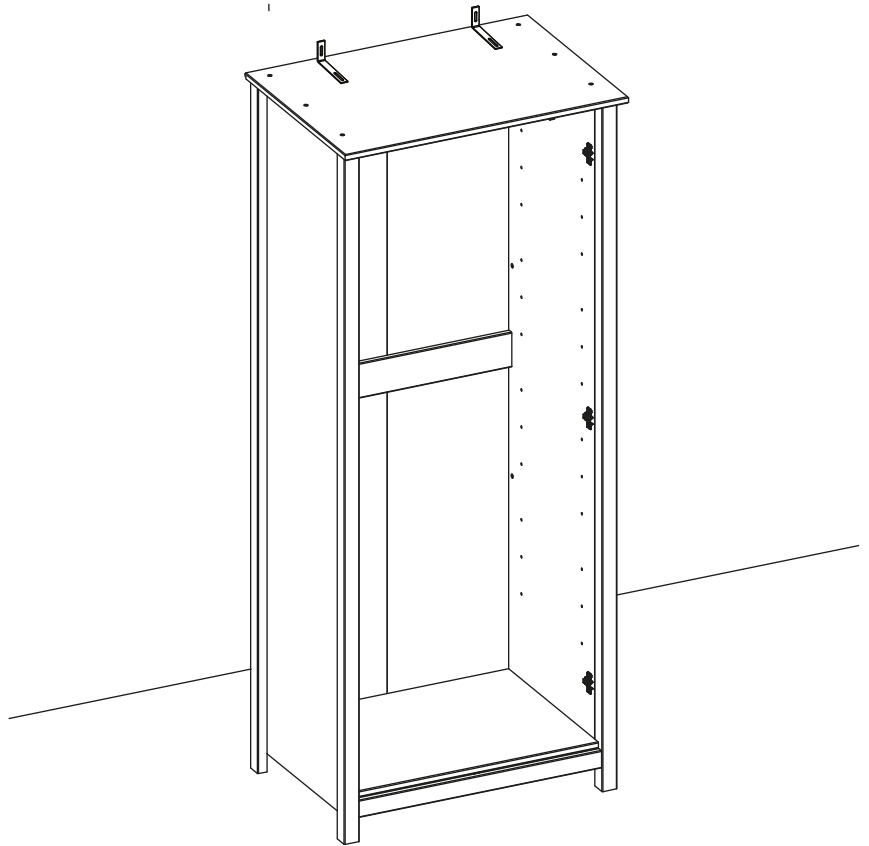
13

With help, carefully move the furniture away to access the mark in the wall.

Drill hole on wall.



Before drilling, check wall for hidden pipes and cables.



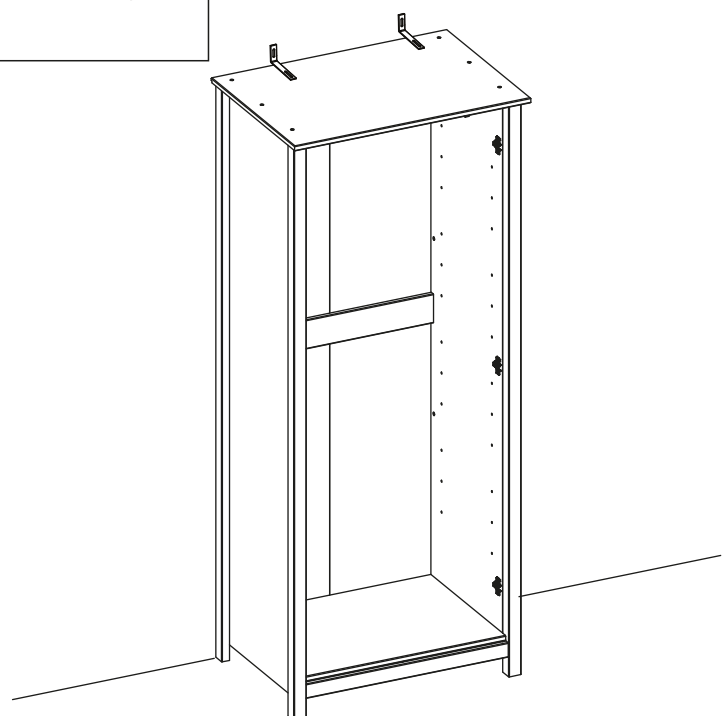
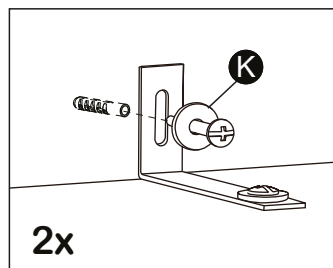
14



With help, carefully move the furniture back to position.

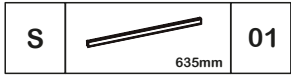
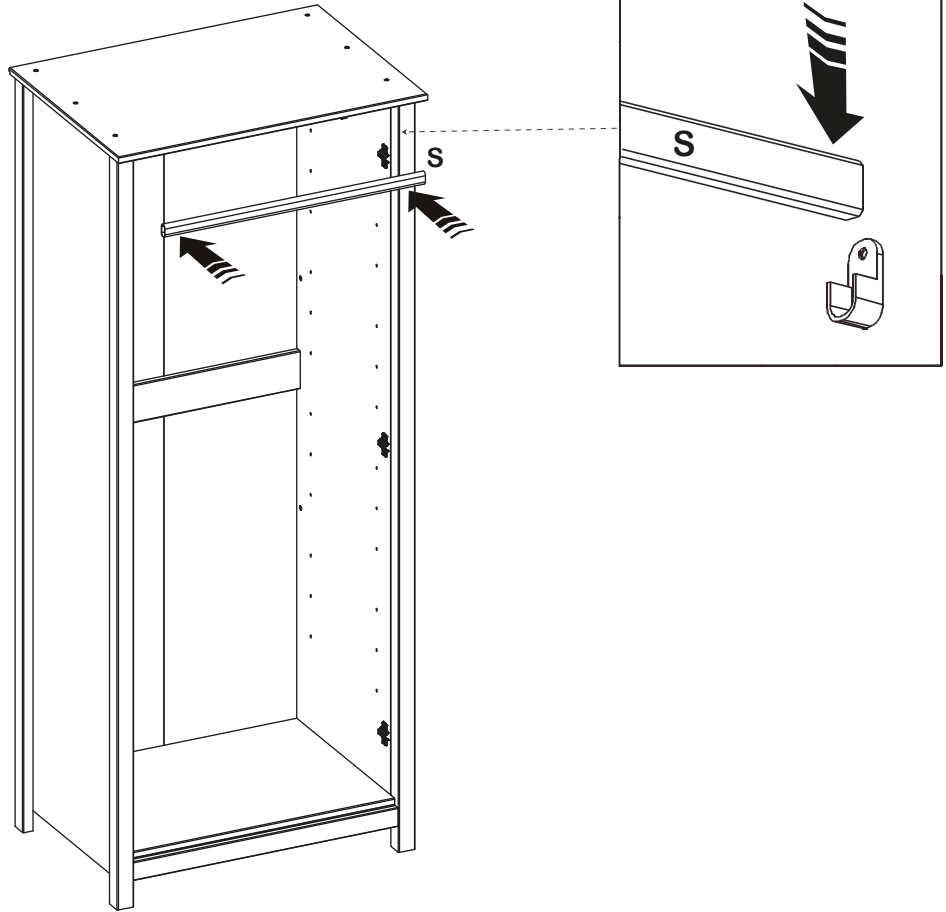
Insert the wall plug (not provided) into the wall hole;

For fixing the tipover restraint: drive the screw (not provided) with the washer K and tighten screw firmly in the wall. Do not over-tighten.

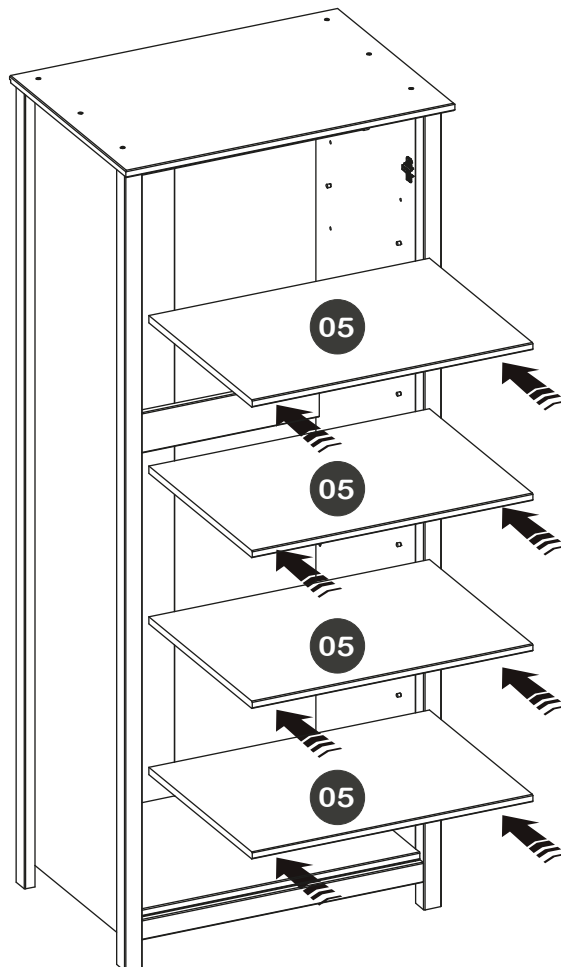


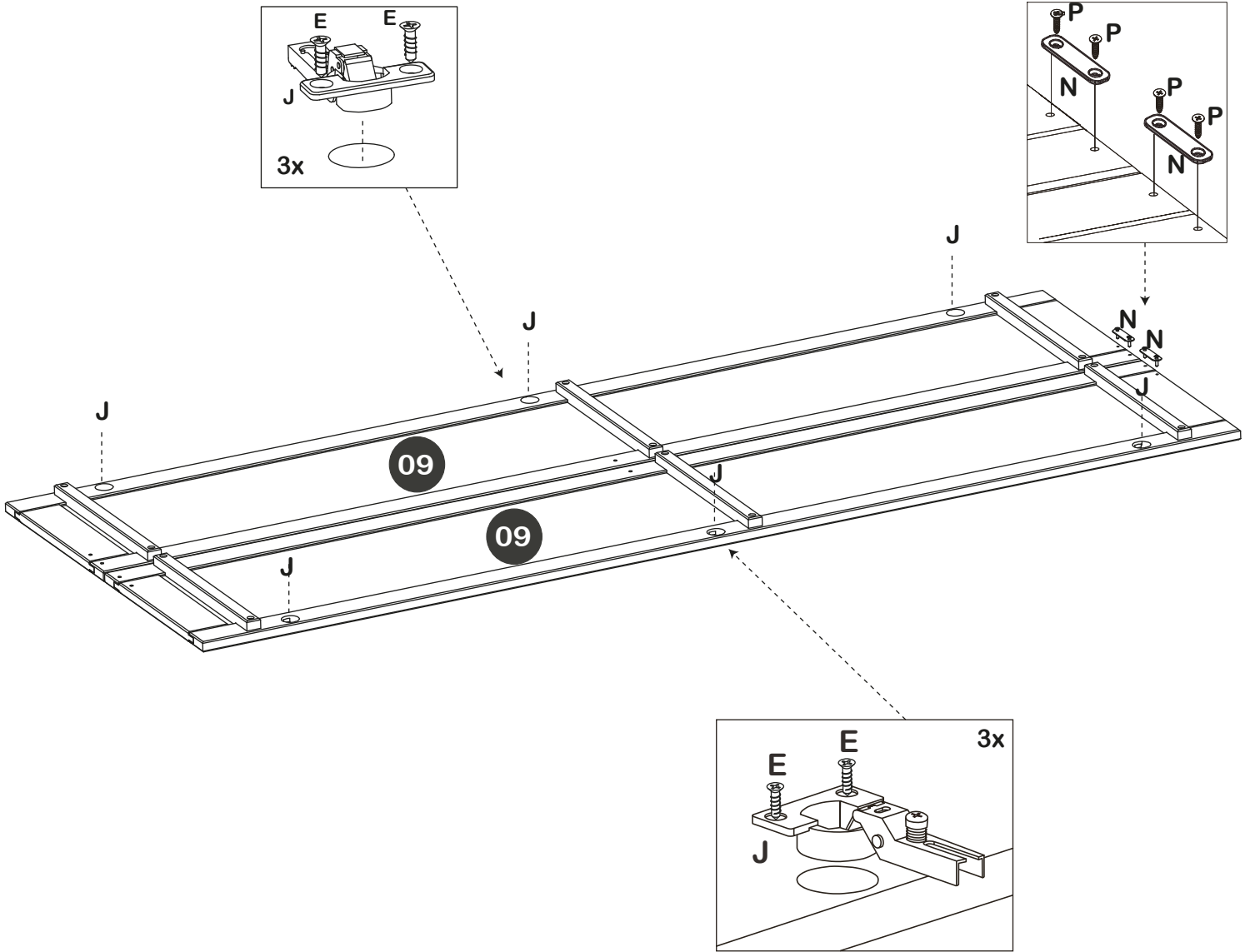
K		02
---	--	----





15 OPTION 1





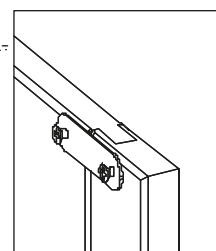
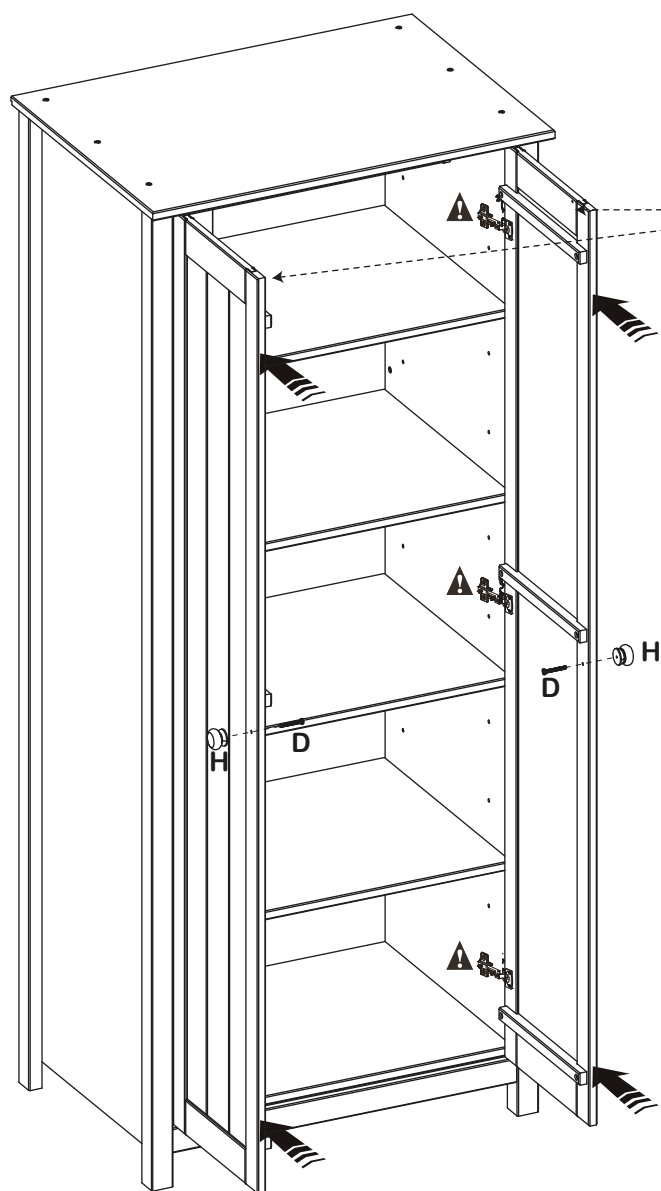
16 OPTION 2



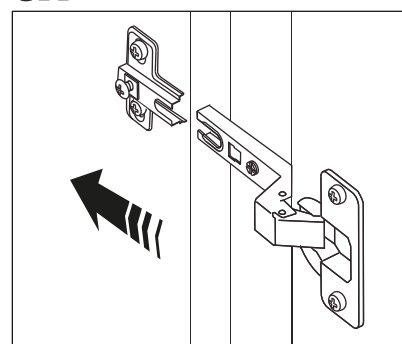


N		02	P	 3,0x16mm	04
J		06	E	 4,0x16mm	12

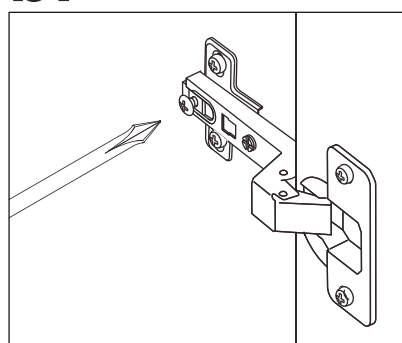
H		02	D	 4,0x40mm	02
---	--	----	---	--	----



a:

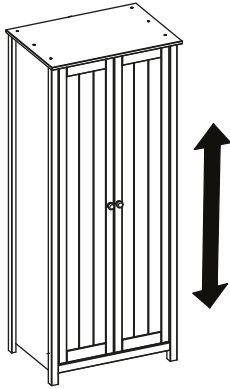


b:

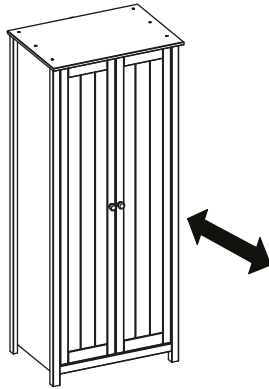


Note: See hinge adjustment in next step.

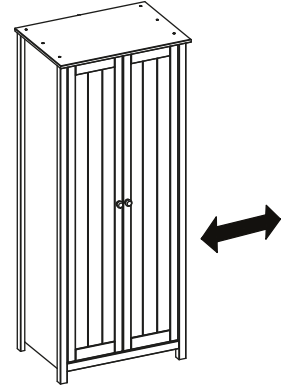
19



To move doors up or down:
loosen screws shown and
move doors to suit.
Re-tighten screws.



To move doors in or out:
loosen screws shown and
move doors to suit.
Re-tighten screws.



To move doors left or right:
loosen screws shown and
move doors to suit.
Re-tighten screws.

