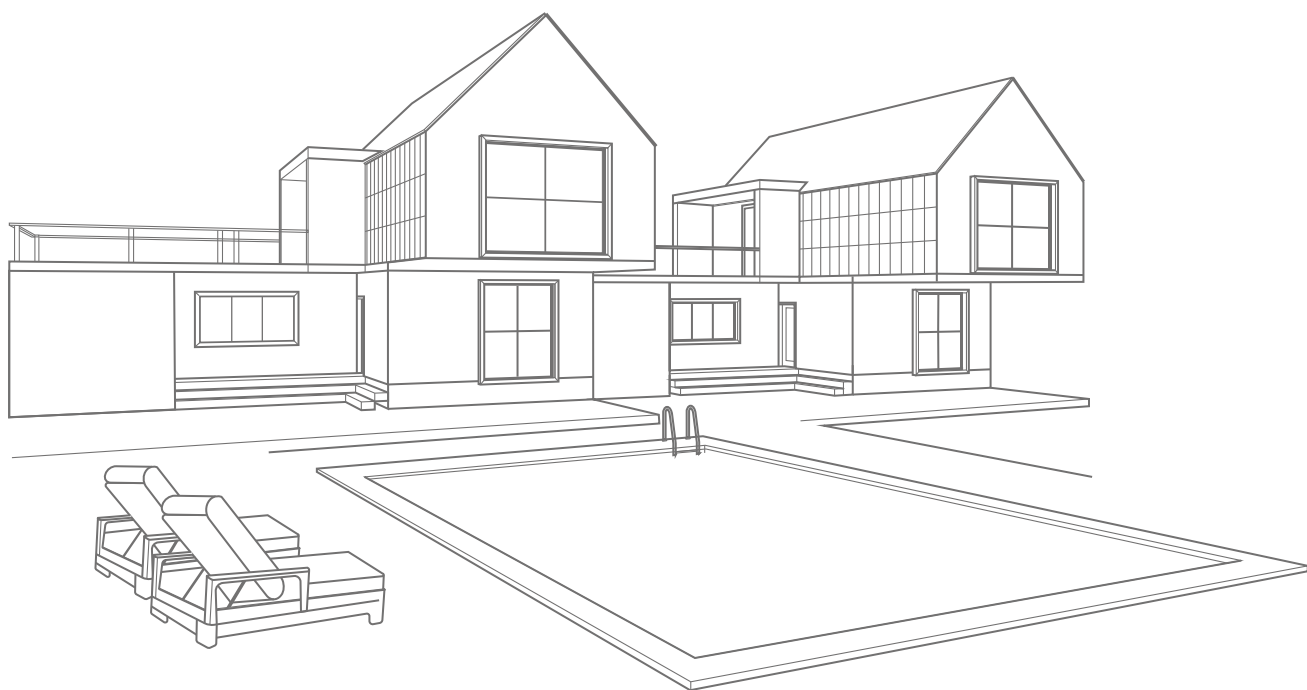


# Nine-drawer cabinet

Product ID. 7AA3M

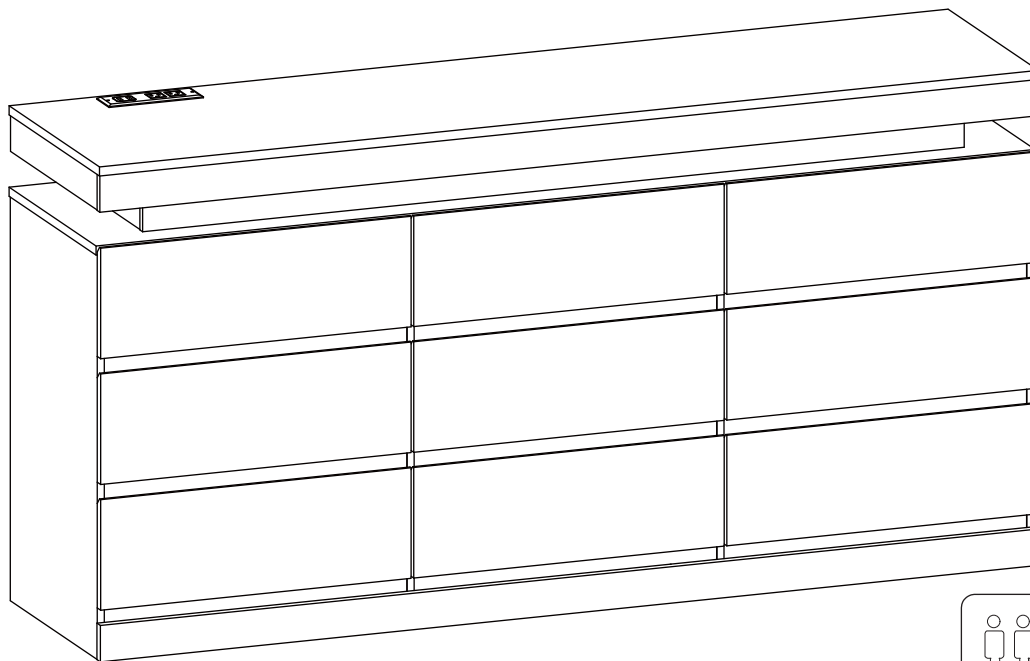


Scan for Support  
[support@garvee.com](mailto:support@garvee.com)



Distributed by  
**GARVEE**.com

# Assembly Instruction



## Trouble shooting:

Missing / Wrong / Broken parts and installation issues



**Send email with your question pic ,order NO. and screenshot of order details to:**

***support@garvee.com***

Respond within 24 hours



Issue resolved



**THIS INSTRUCTION BOOKLET CONTAINS IMPORTANT SAFETY INFORMATION.  
PLEASE READ AND KEEP FOR FUTURE REFERENCE.**

Thank you for purchase on our products. Please contact us if you have difficulty with assembly or need replacement parts. Our customer service is here to assist you. Please attach your User Name or Order ID so that we can assist you better.

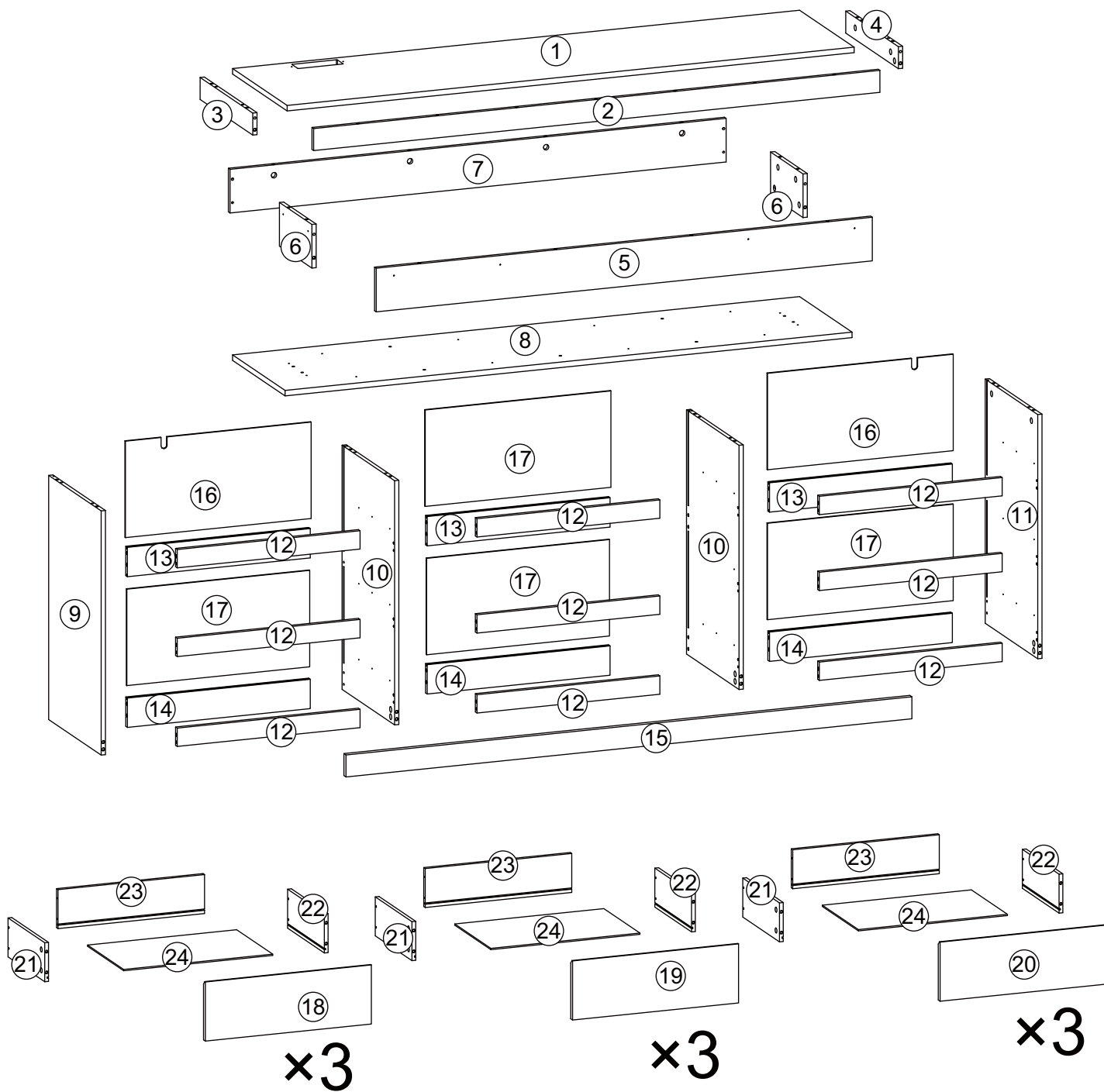
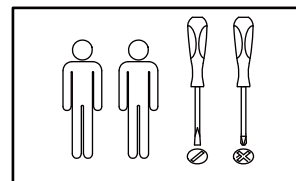
**WARNING**

Serious or fatal injury may occur from unexpected assembly or use.

1. During the assembly process, keep all parts away from babies or children.
2. Always securely fix this product to the wall. Make sure the wall area to be drilled is free from hidden electrical wires, water and gas pipes.
3. Use of tip-over restraints may only reduce, but not eliminate the risk of tip-over.
4. Unless specially designed to accommodate, do not set heavy objects on top of this product.
5. Place the heaviest items on the lowest drawers or shelves.
6. Never allow children to climb or bang on drawers, doors or shelves.





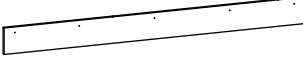
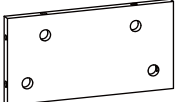
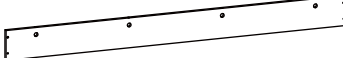
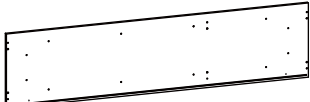
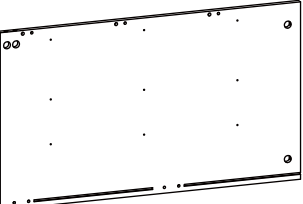
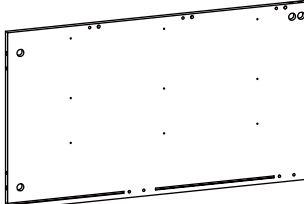
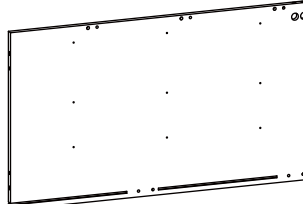




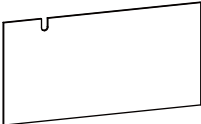
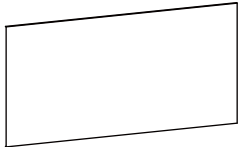
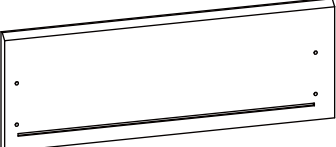
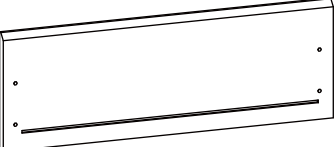
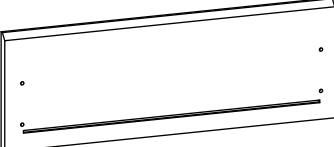


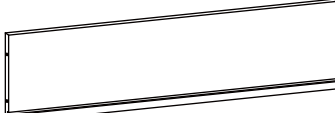

<b>WARNING</b>	
	<p>Children have died from furniture tipover. To reduce the risk of furniture tipover:</p> <ul style="list-style-type: none"><li>● ALWAYS install tipover restraint provided.</li><li>● NEVER put a TV on this product.</li><li>● NEVER allow children to stand, climb or hang on drawers, doors, or shelves.</li><li>● NEVER open more than one drawer at a time.</li><li>● Place heaviest items in the lowest drawers.</li></ul>
	

# Part List

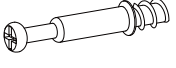




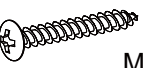
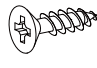
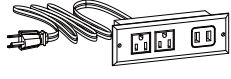

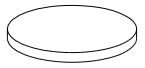

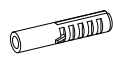
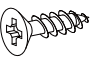
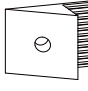
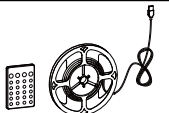
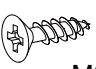
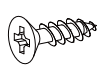
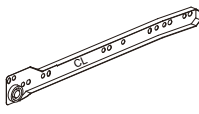
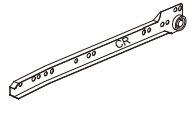
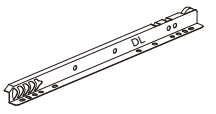
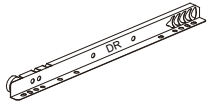


Please cut if you need, but keep for the future use after assembling

# Part List

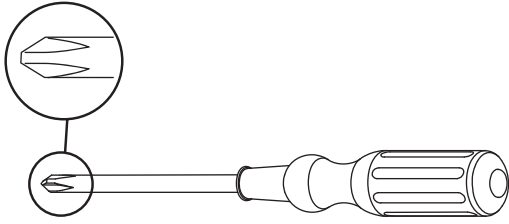
① ×1	② ×1	③ ×1	④ ×1
			
⑤ ×1	⑥ ×2	⑦ ×1	⑧ ×1
			
⑨ ×1	⑩ ×2	⑪ ×1	⑫ ×9
			
⑬ ×3	⑭ ×3	⑮ ×1	⑯ ×2
			
⑰ ×4	⑱ ×3	⑲ ×3	⑳ ×3
			
㉑ ×9	㉒ ×9	㉓ ×9	㉔ ×9
			

# Hardware List

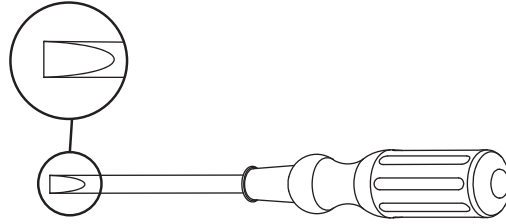
<b>A</b> ×120+12	<b>B</b> ×120+12	<b>C</b> ×49+4	<b>D</b> ×2	<b>E</b> ×2
		 6×30		 M4×10
<b>F</b> ×50+5	<b>G</b> ×2	<b>H</b> ×1	<b>I</b> ×9	<b>J</b> ×24+2
 M4×35	 M3×12			
<b>K</b> ×8	<b>L</b> ×2	<b>M</b> ×16+1	<b>N</b> ×16+1	<b>O</b> ×1
		 M3×14		
<b>P</b> ×108+10	<b>Q</b> ×9	<b>CL</b> ×9	<b>CR</b> ×9	<b>DL</b> ×9
 M3.5×12	 M3×12			
<b>DR</b> ×9				
				

**Tools required ( Please prepare by yourself before installing)**

**Phillips Screwdriver**

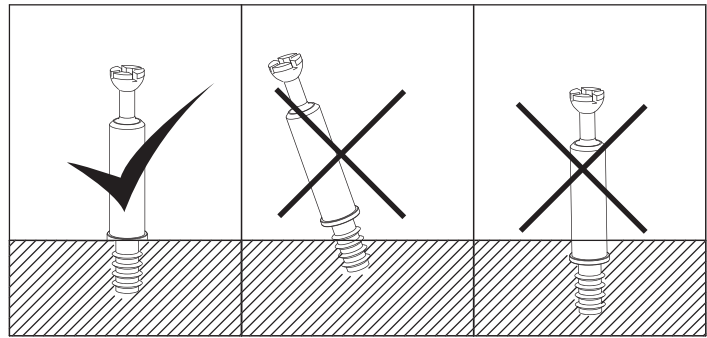
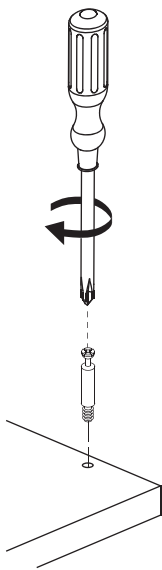


**Straight Screwdriver**



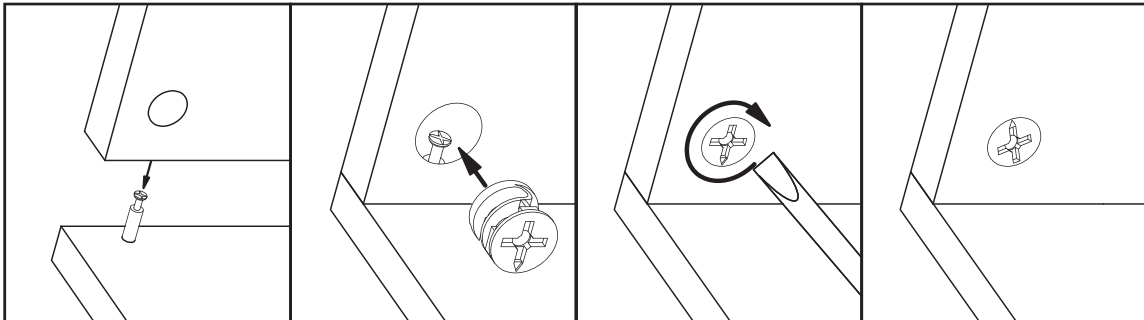
**Power Tool NOT Recommended**

**To ensure proper assembly we have included the following guides:**



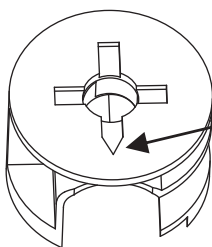
Insert threads of Locking Bolts completely, and stop once threads are no longer visible.

**Do NOT overturn.**



**Reference this guide when assembling all Cam Locks.**

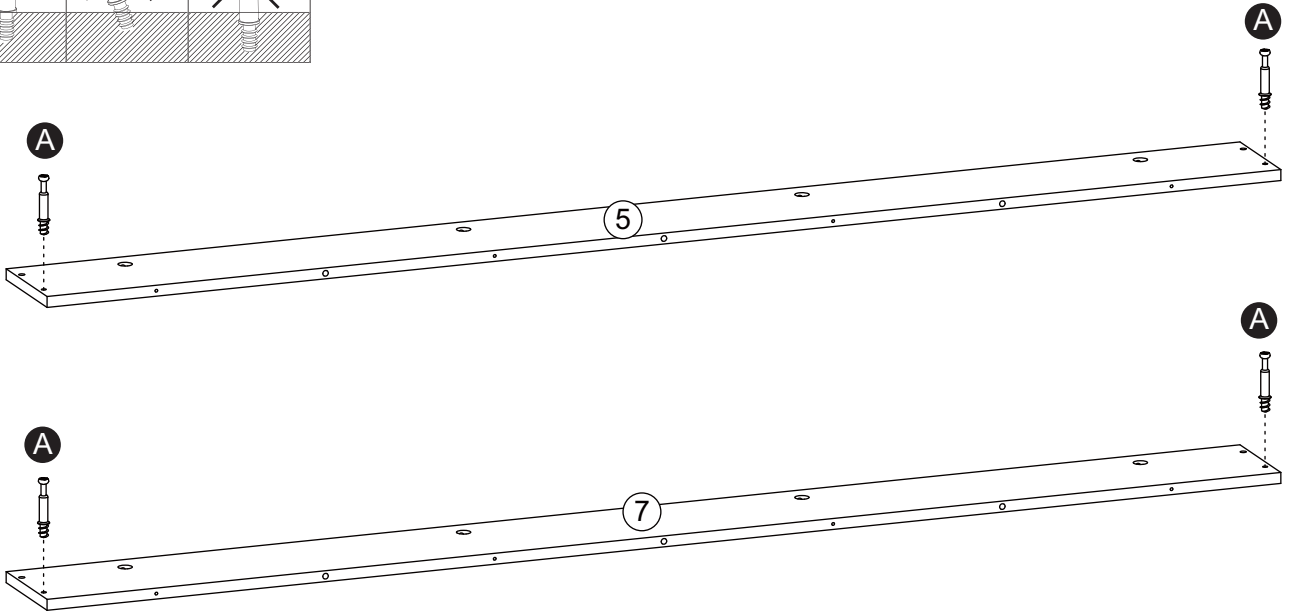
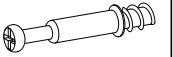
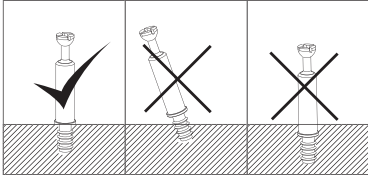
**Do NOT overturn.**



**Notice:"pointer arrow"on cam face the Bolt when inserted the cam.**

# Step 1

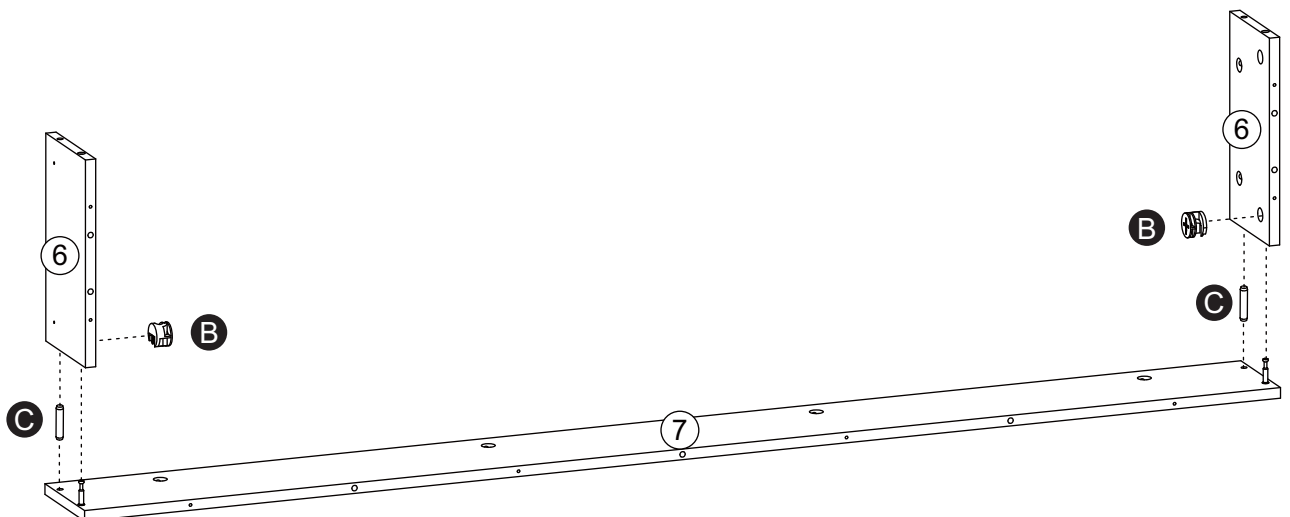
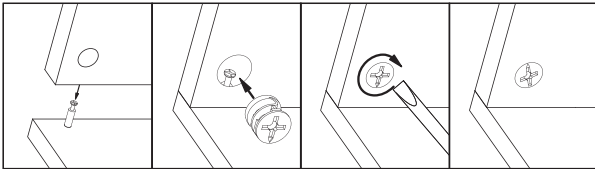
**A** × 4



# Step 2

**B** × 2

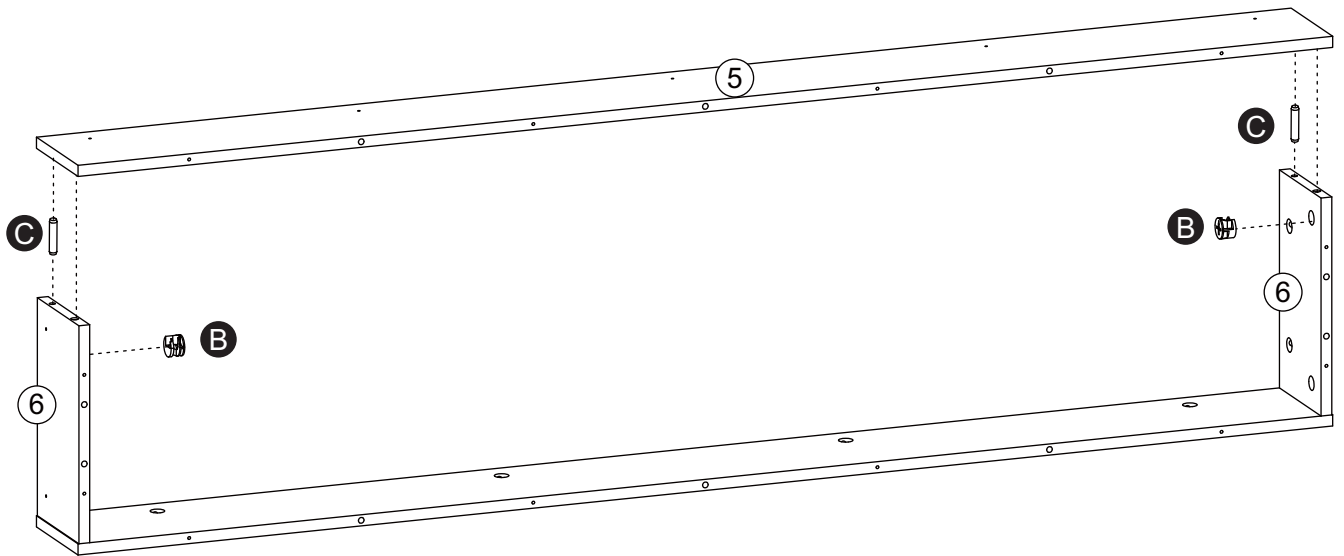
**C** × 2



### Step 3

**B** × 2

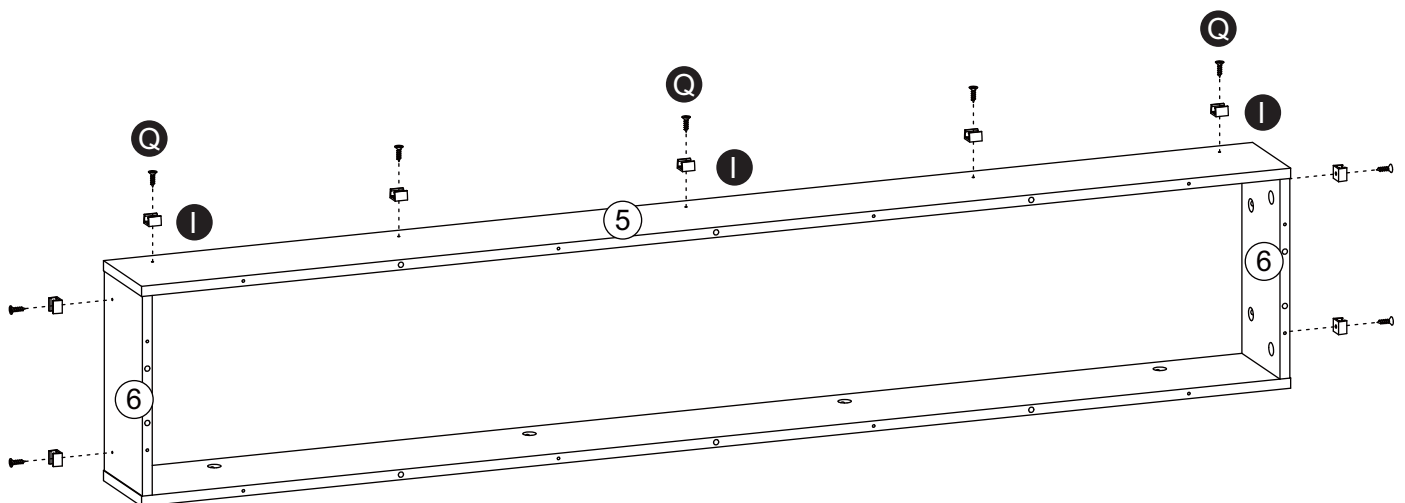
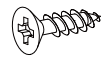
**C** × 2



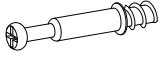

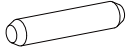
### Step 4

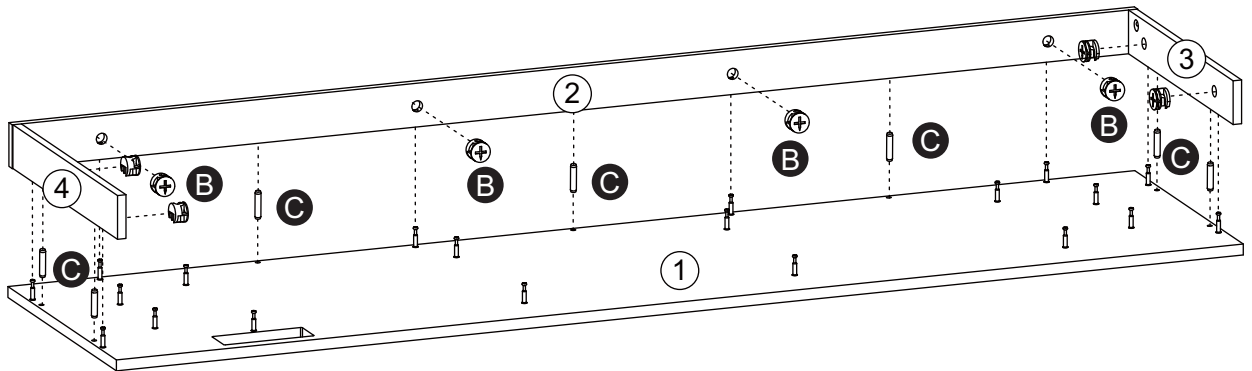
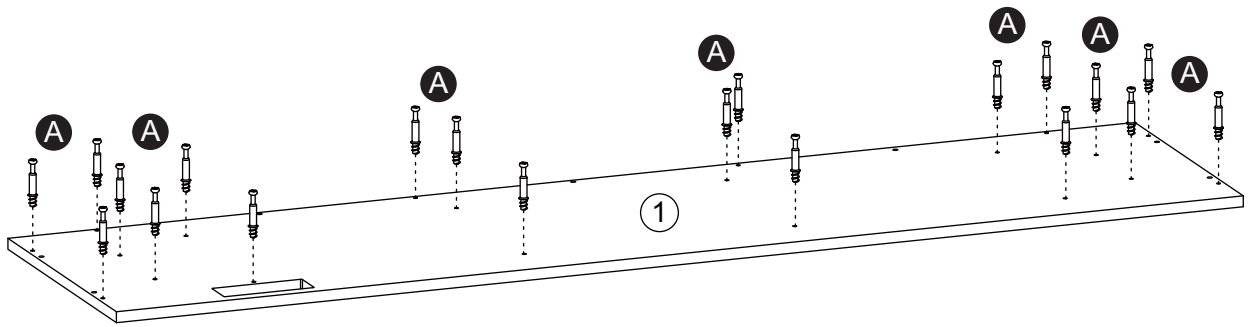
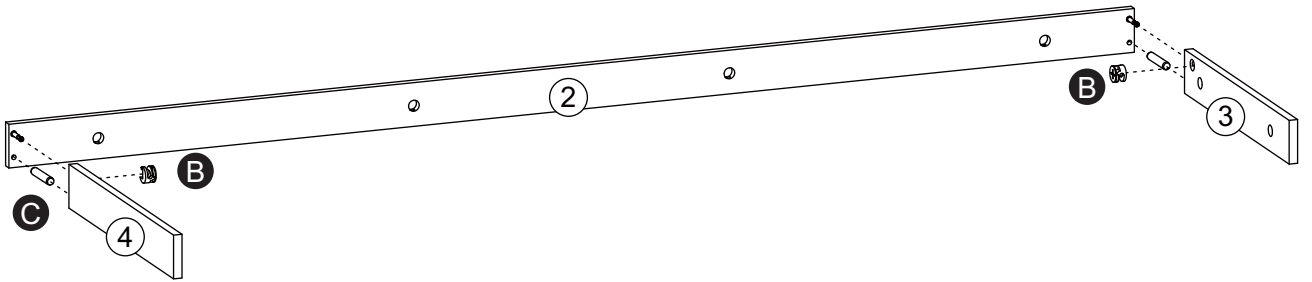
**Q** × 9

**I** × 9





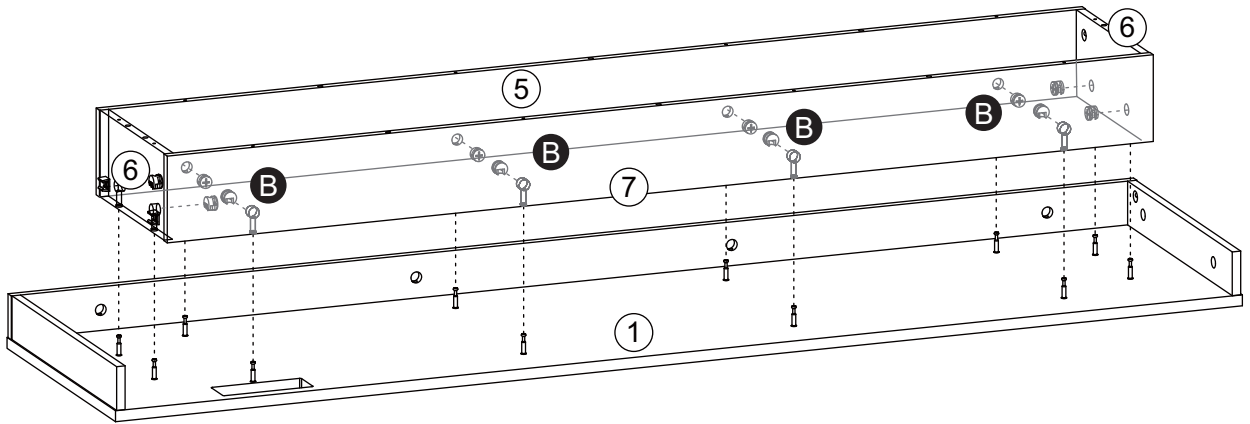
# Step 5

<b>A</b> × 20	<b>B</b> × 10	<b>C</b> × 9
		

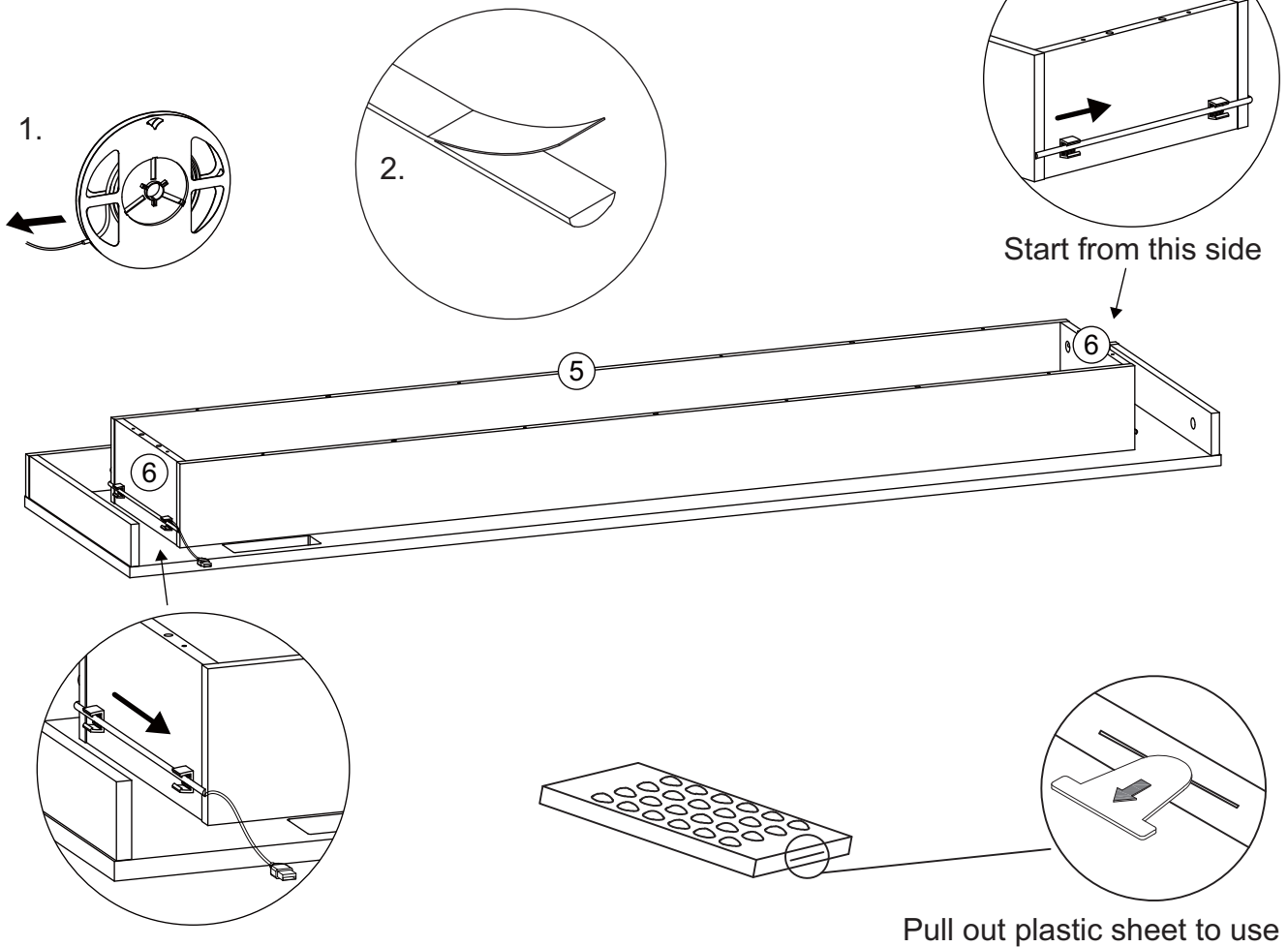


# Step 6

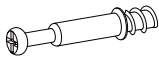



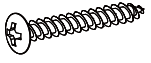
<b>B</b> × 12	<b>O</b> × 1
	

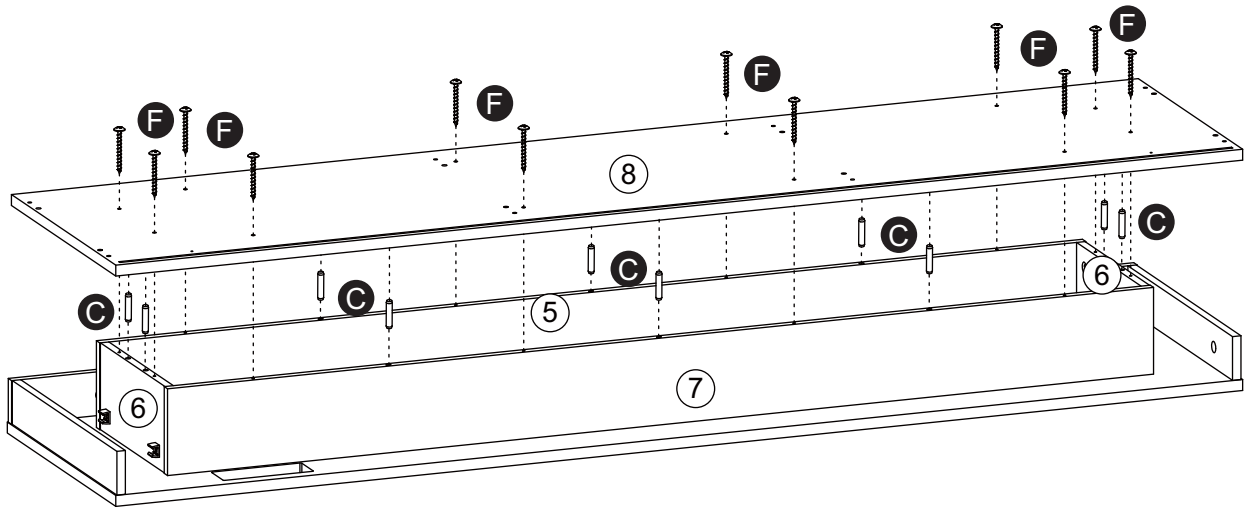


1. Pull the LED Strip
2. Tear off the sticker carefully and stick the LED Strip from right side , make sure the Led Strip goes through the plastic clip ①
3. Stick the LED Strip from right side to middle side , and to left side (which next to socket)

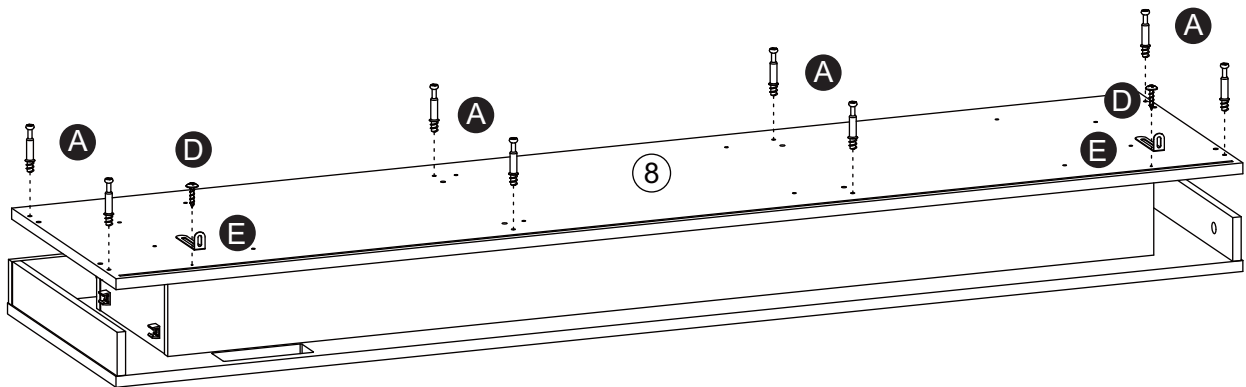


# Step 7

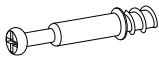

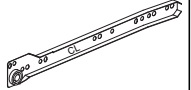
<b>A</b> × 8	<b>C</b> × 10	<b>D</b> × 2	<b>E</b> × 2	<b>F</b> × 12
				

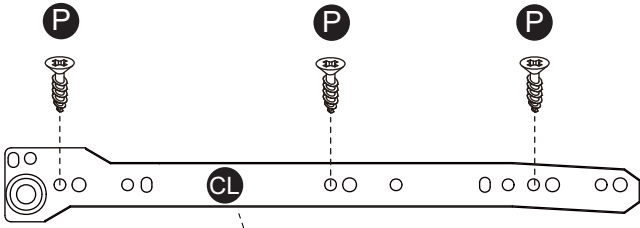


Do not fully tighten the adjustable wall bracket **D** onto panel **8** until it's ready to be fixed to the wall

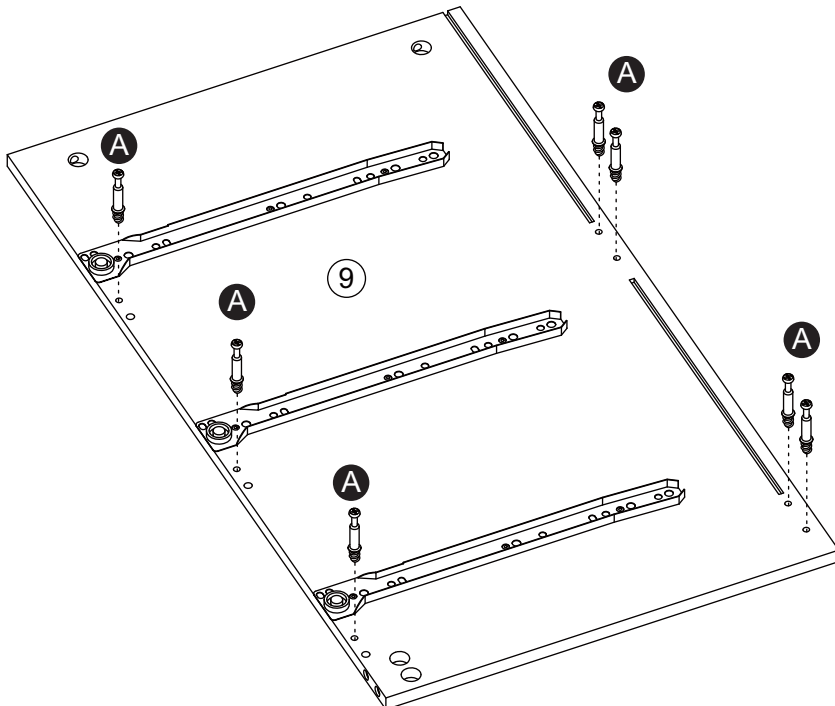
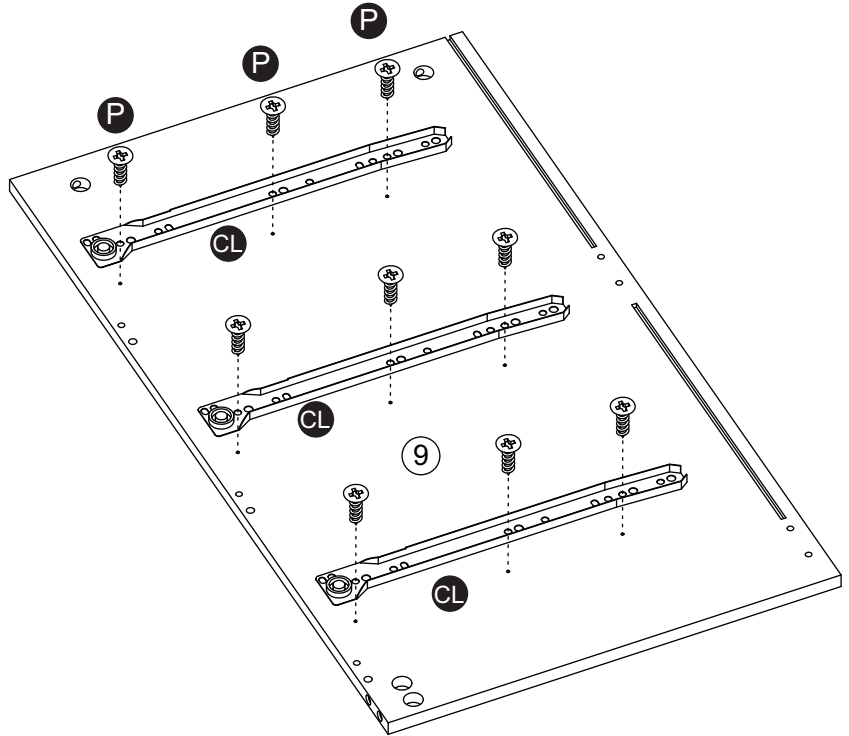


# Step 8

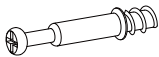

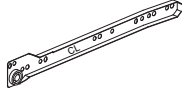
<b>A</b> × 7	<b>P</b> × 9	<b>CL</b> × 3
		

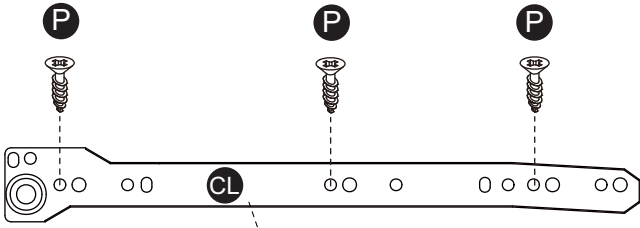


Please install left drawer slider **CL**

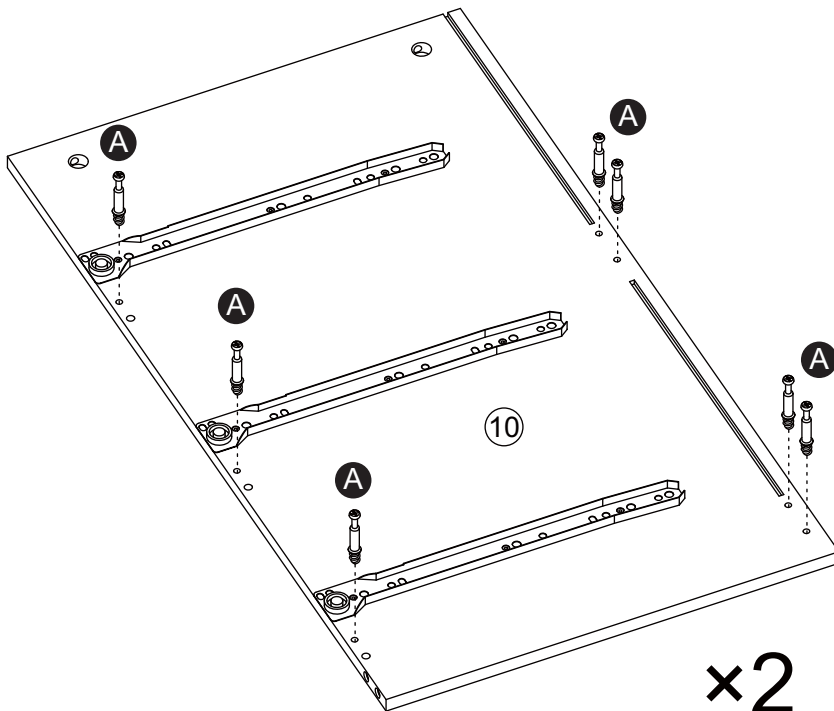
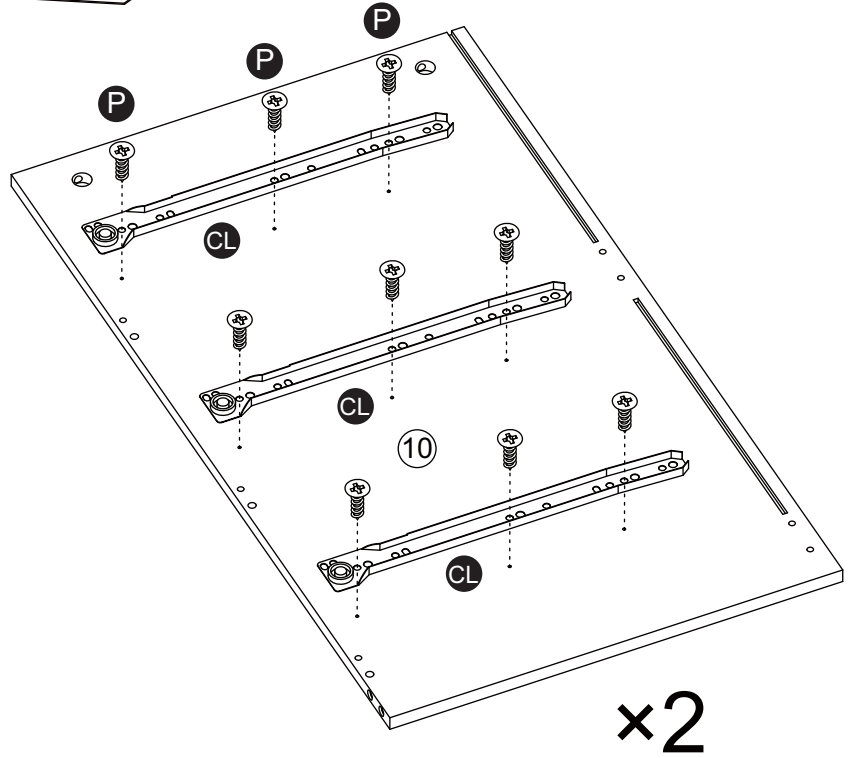


# Step 9

<b>A</b> × 14	<b>P</b> × 18	<b>CL</b> × 6
		

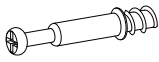

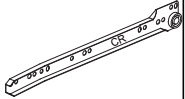


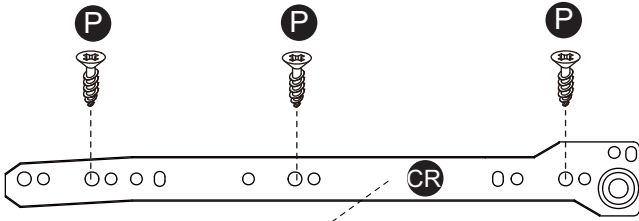
Please install left drawer slider **CL**



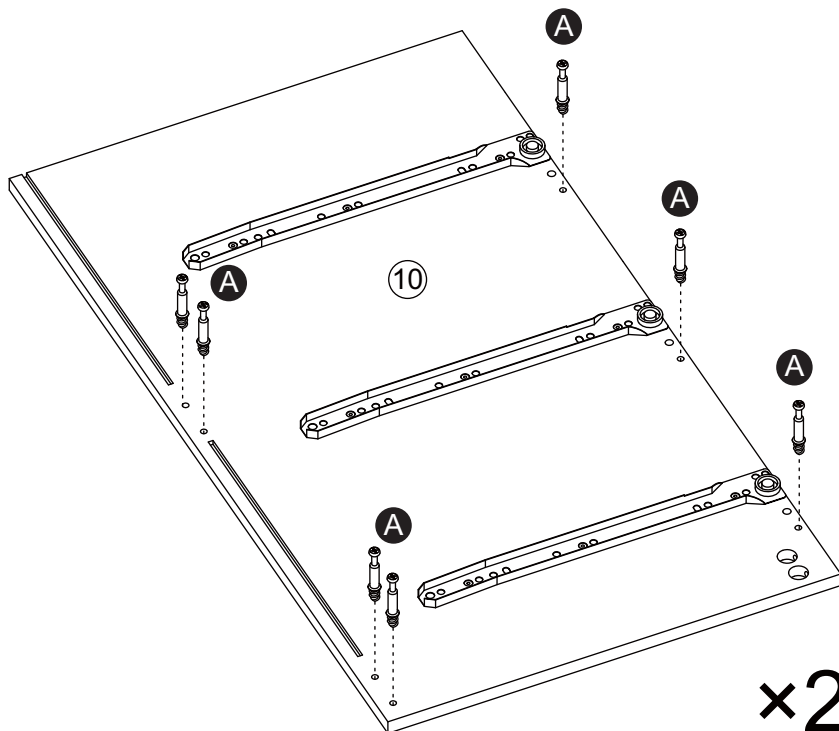
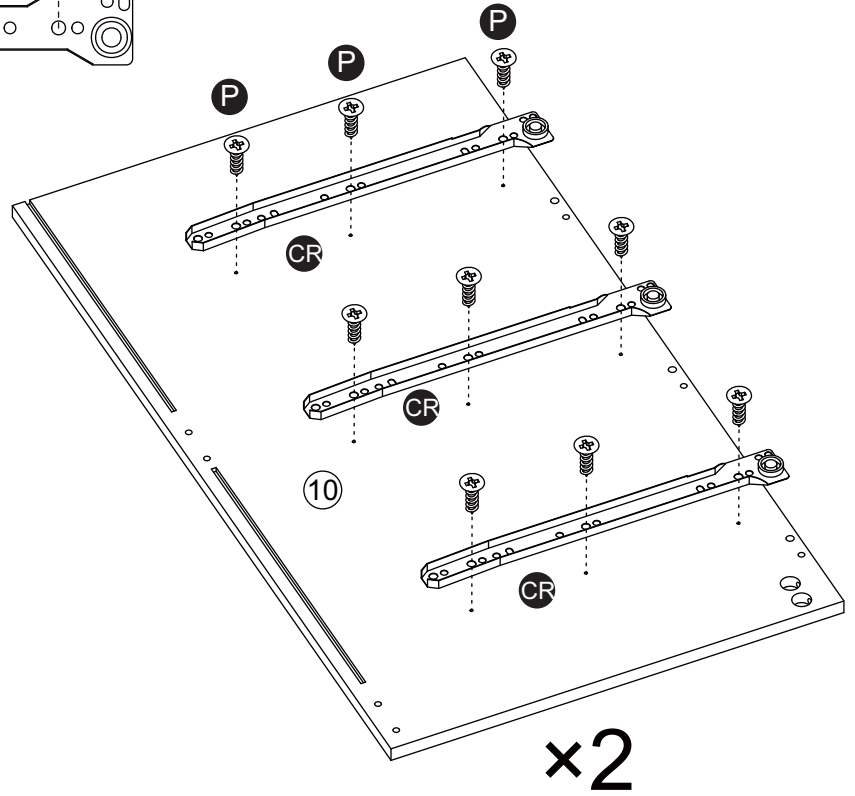
Turn the panel over after this step

# Step 10

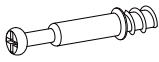
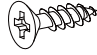
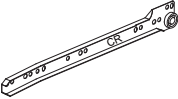
<b>A</b> × 14	<b>P</b> × 18	<b>CR</b> × 6
		

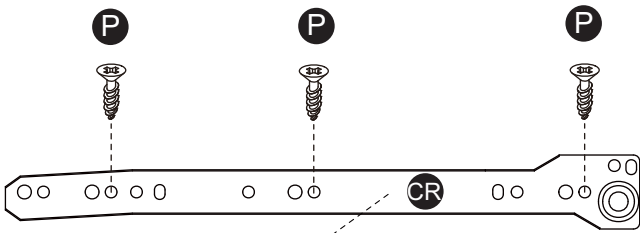


Please install right drawer slider **CR**

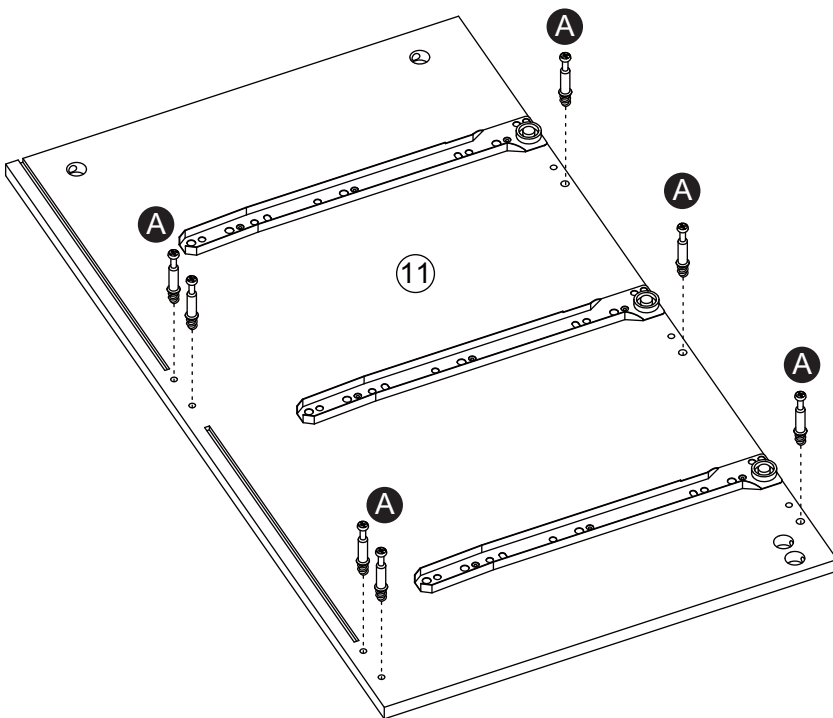
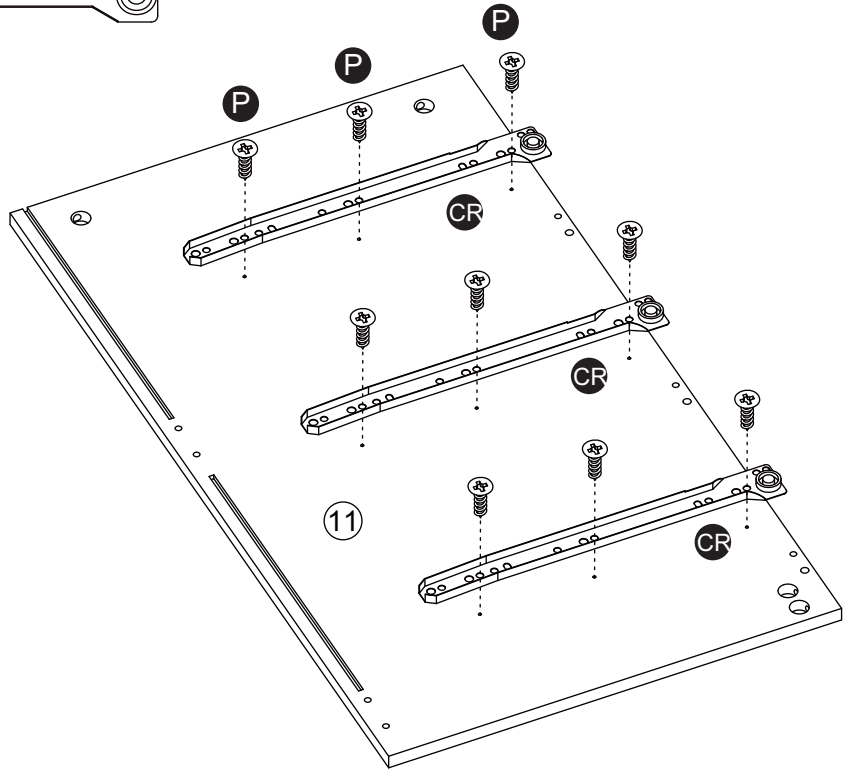


# Step 11



<b>A</b> × 7	<b>P</b> × 9	<b>CR</b> × 3
		

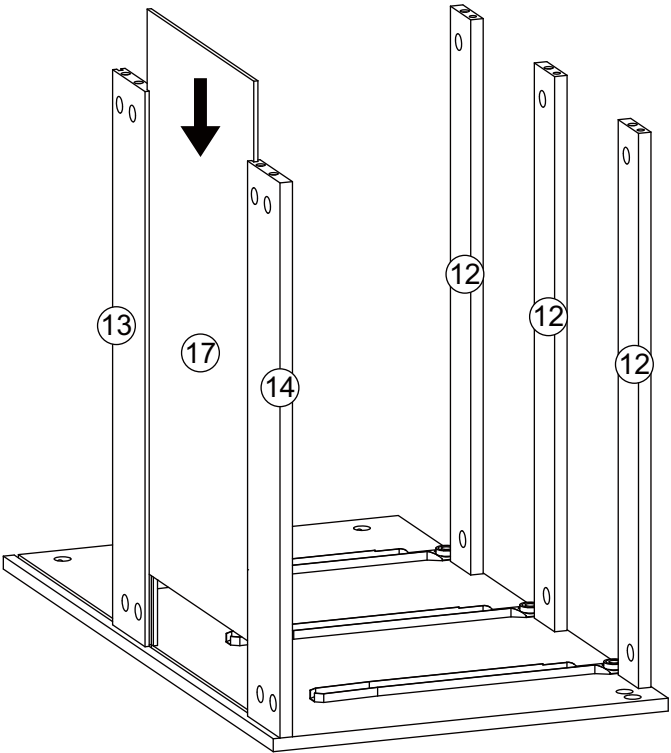
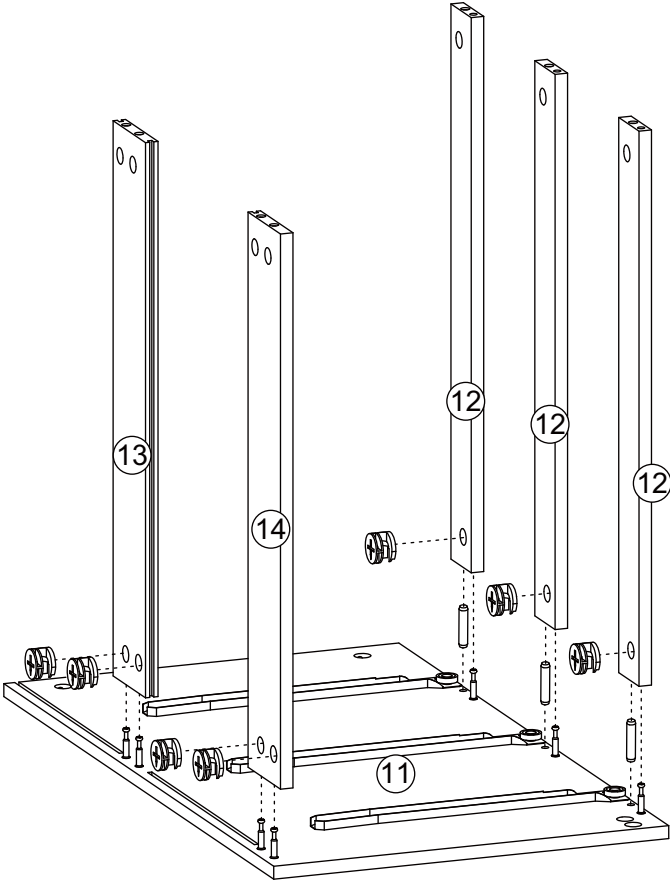


Please install right drawer slider **CR**





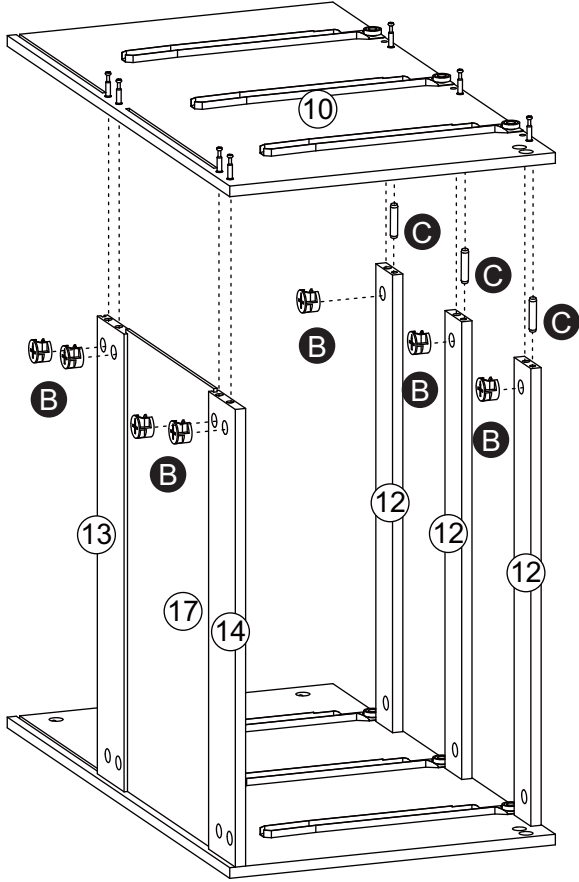
# Step 12

<b>B</b> × 7	<b>C</b> × 3
	

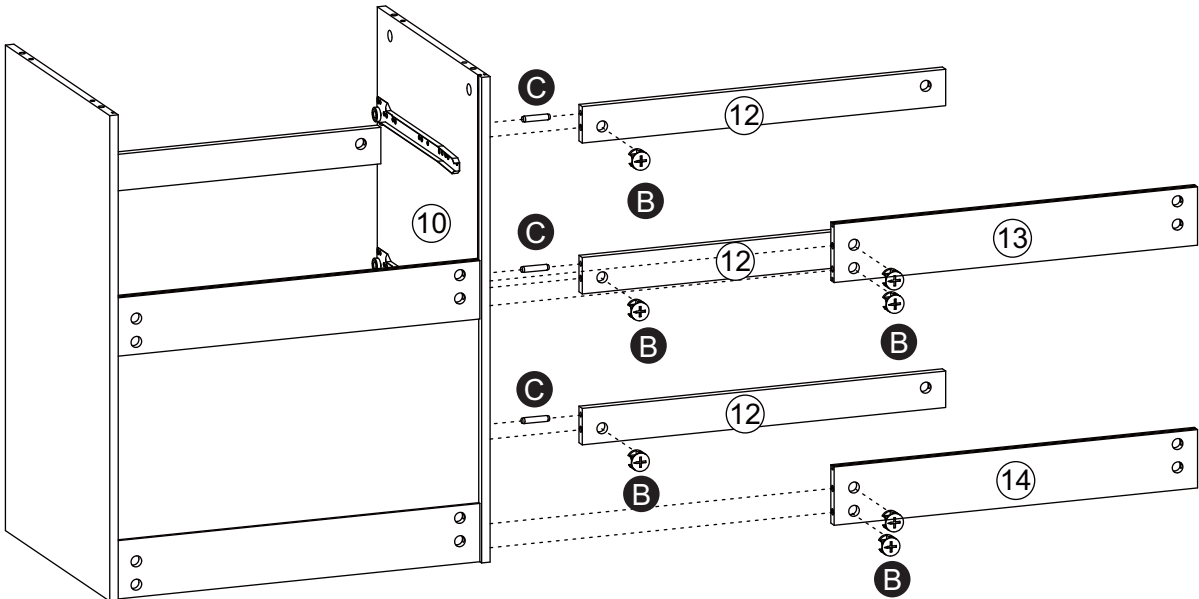


# Step 13



<b>B</b> × 14	<b>C</b> × 6
	

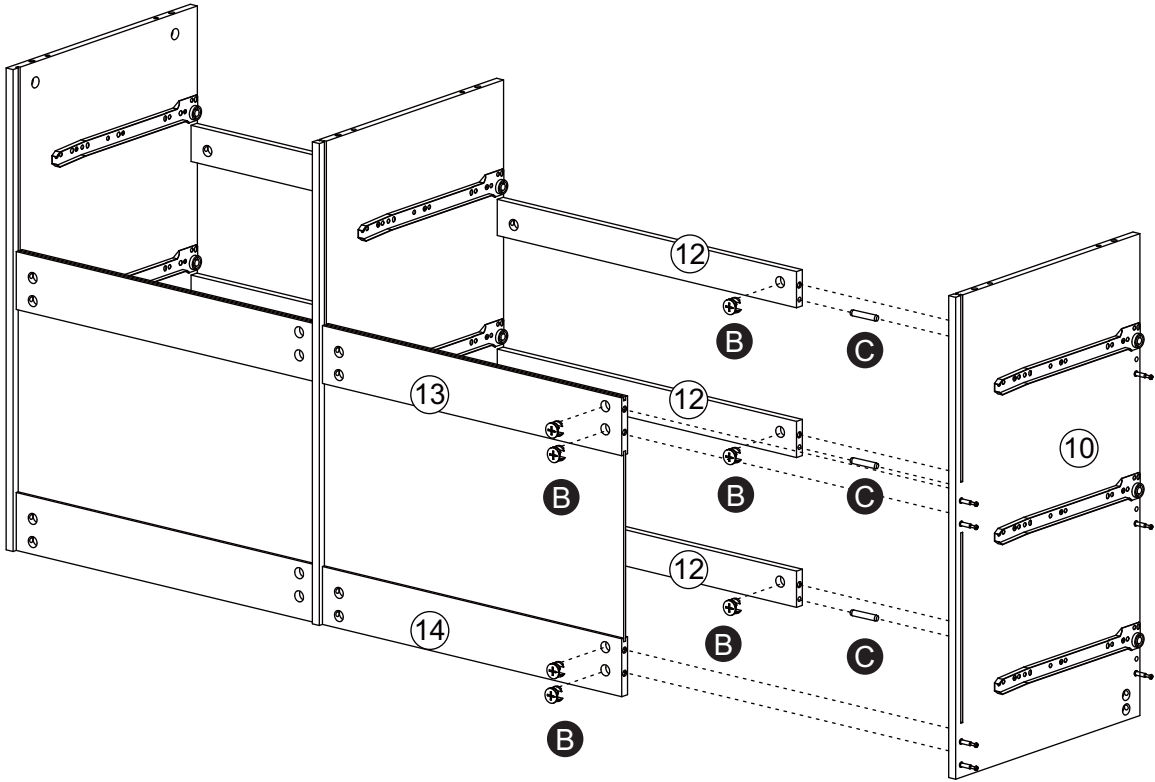
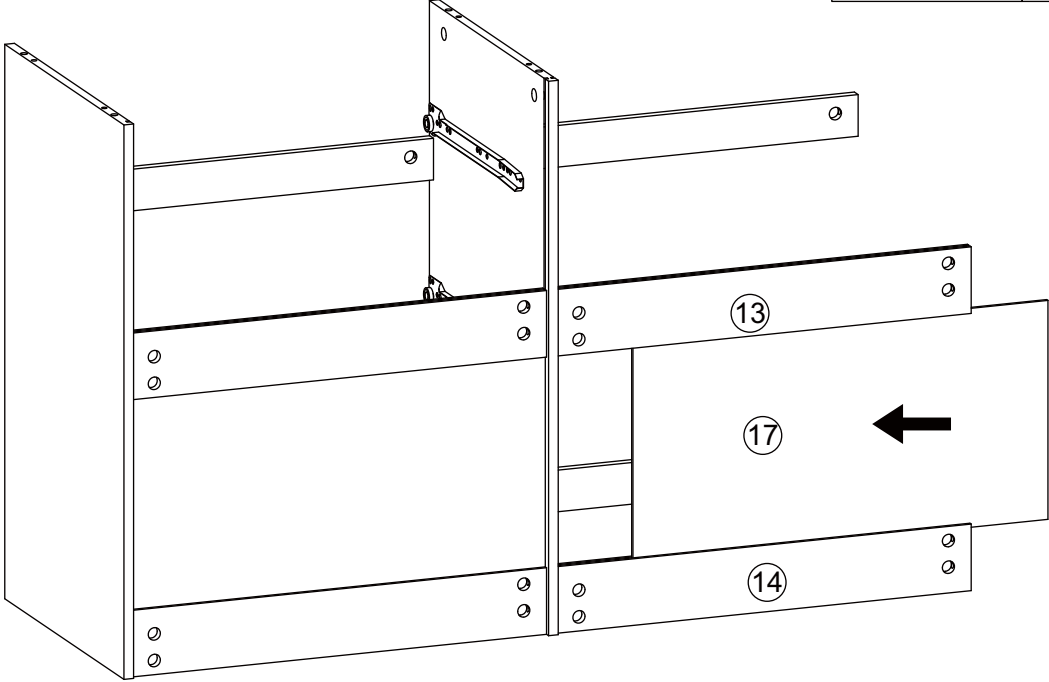


90 °  
Roate the frame



# Step 14

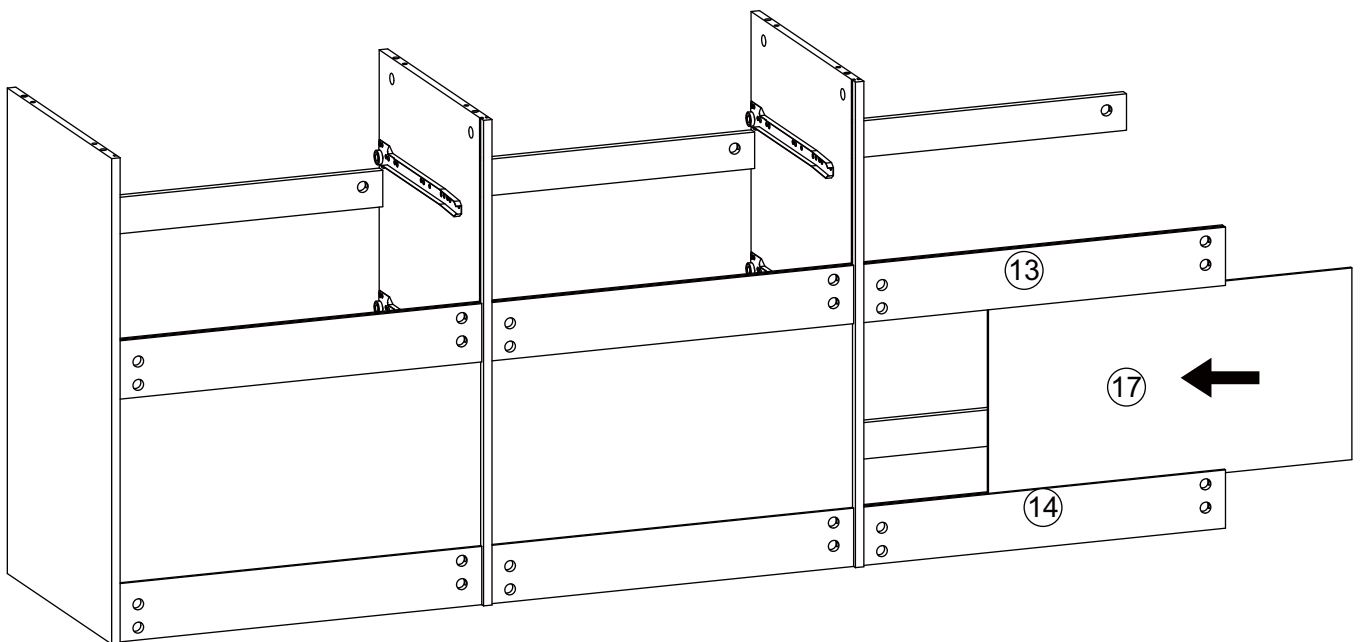
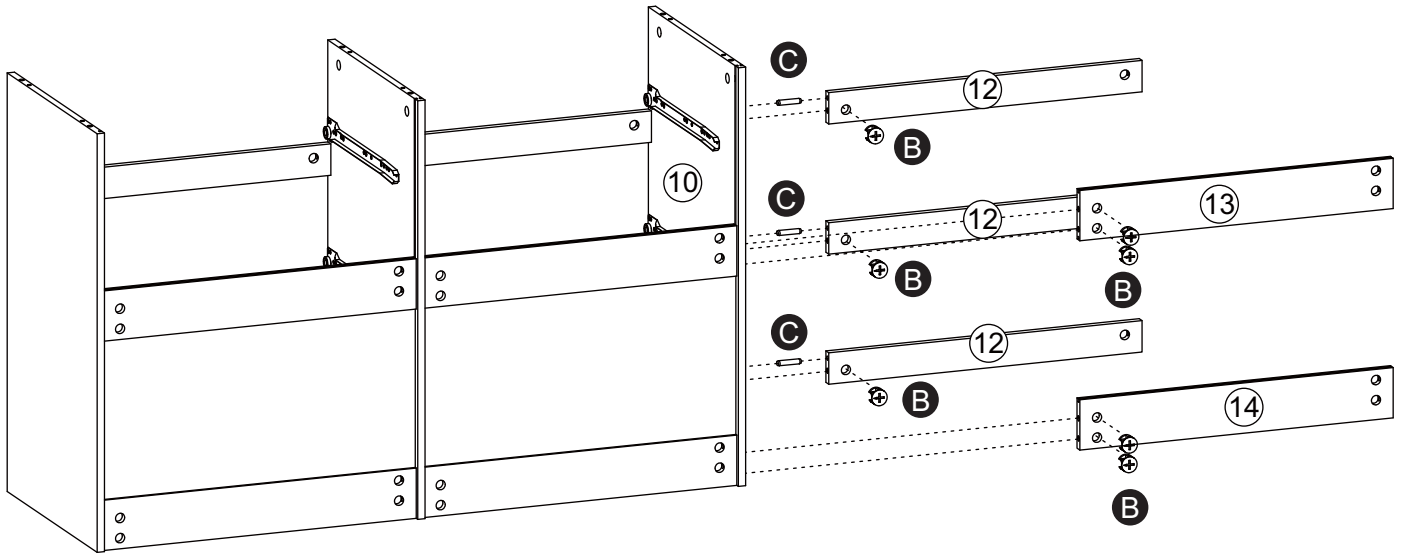
<b>B</b> × 7	<b>C</b> × 3
	



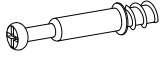



# Step 15

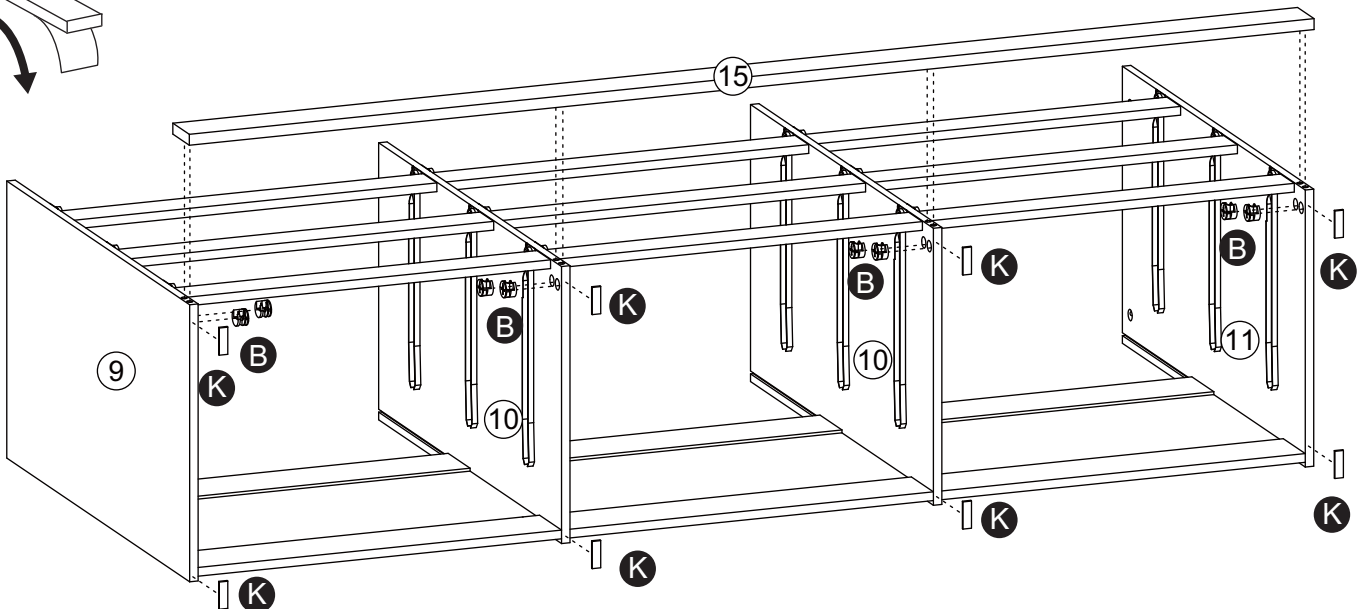
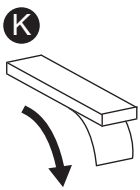
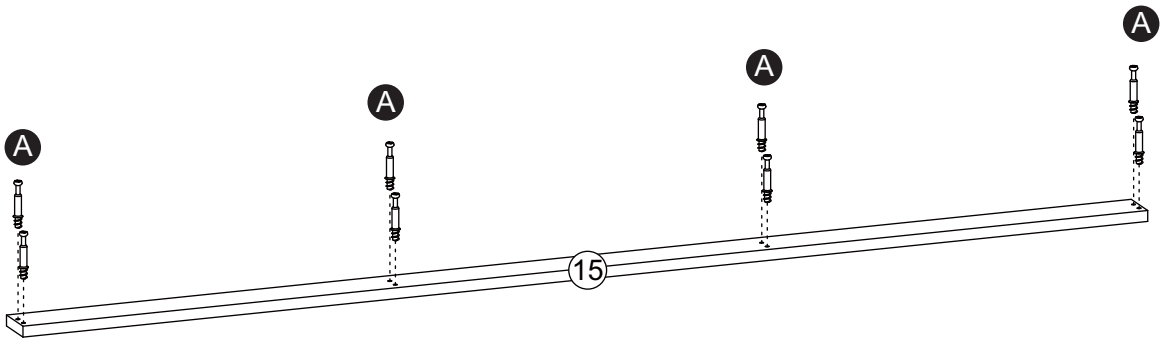
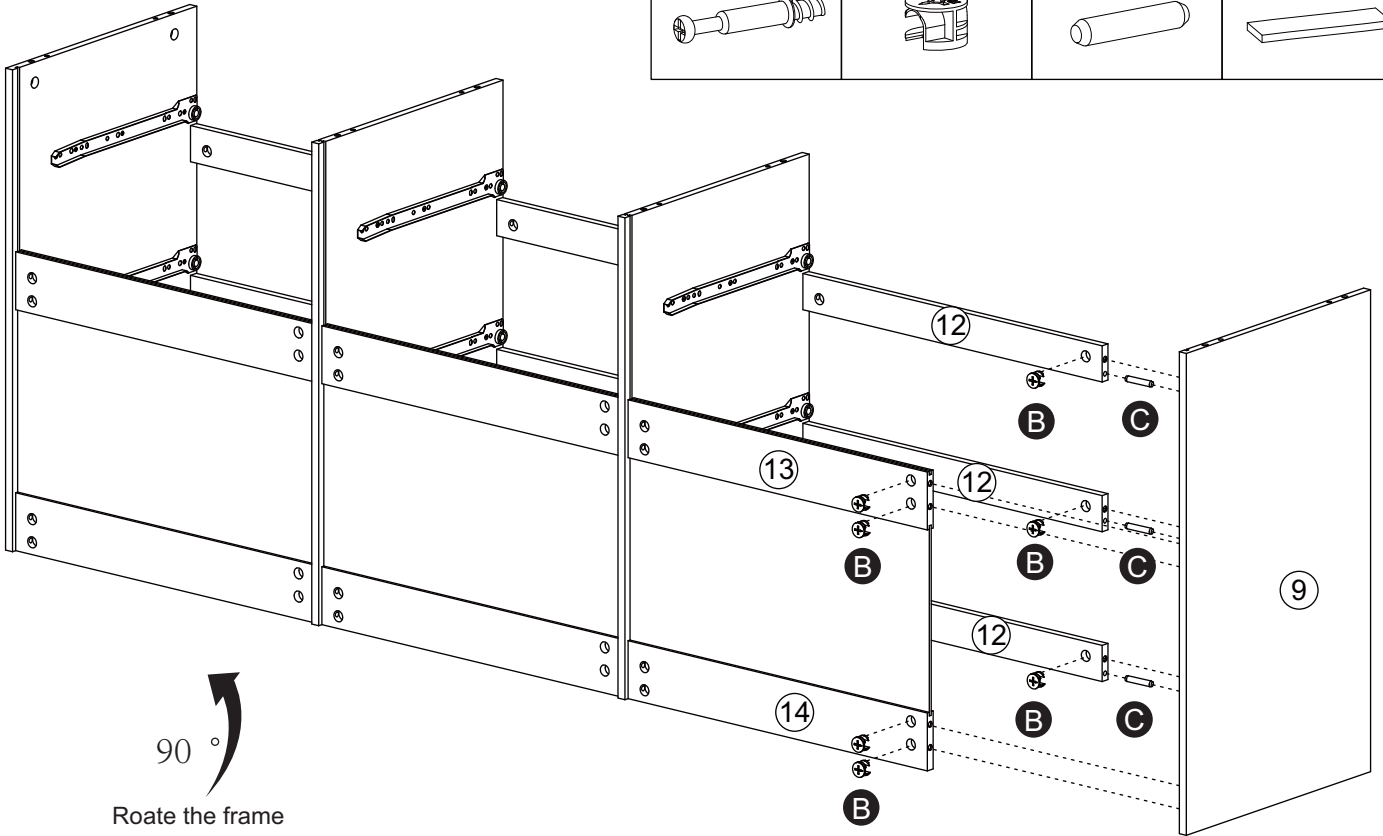
**B** × 7

**C** × 3





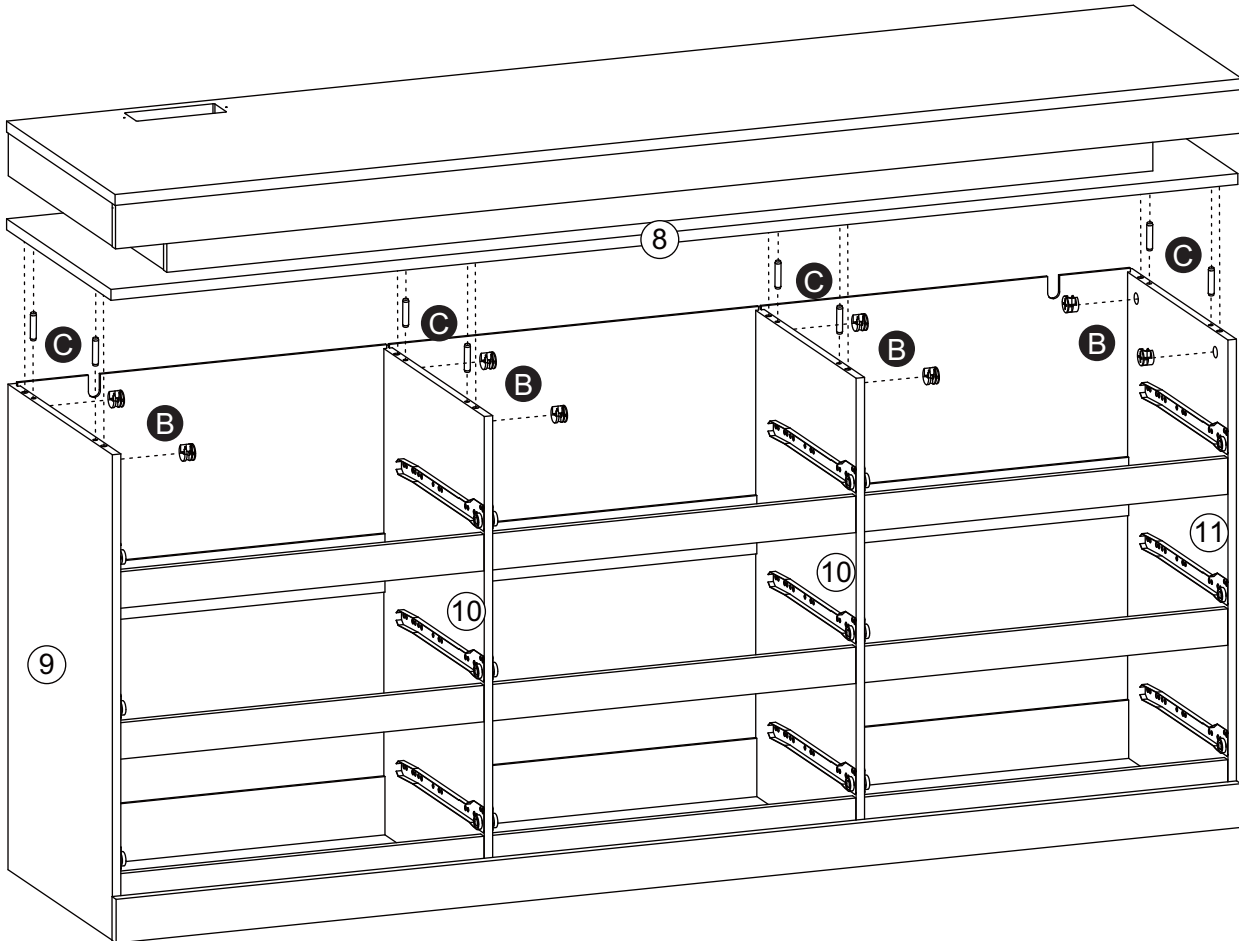
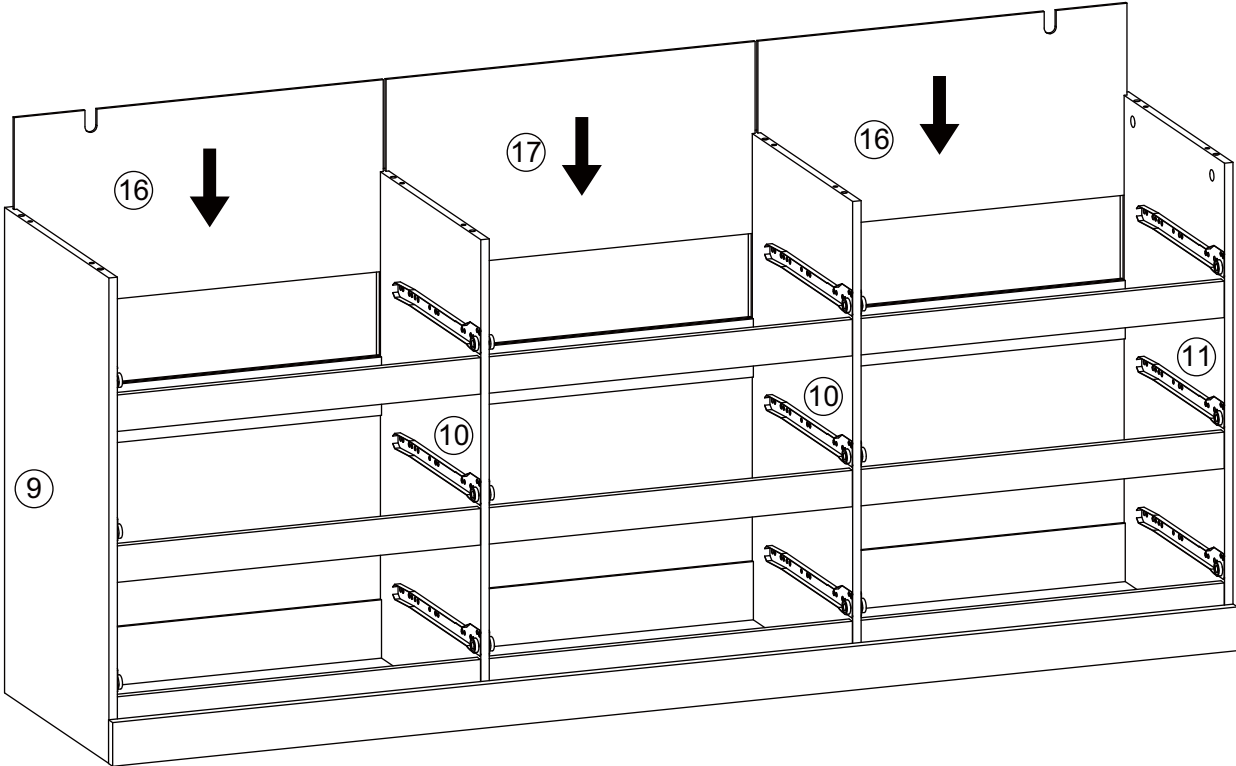
# Step 16

<b>A</b> × 8	<b>B</b> × 15	<b>C</b> × 3	<b>K</b> × 8
			




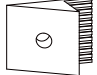



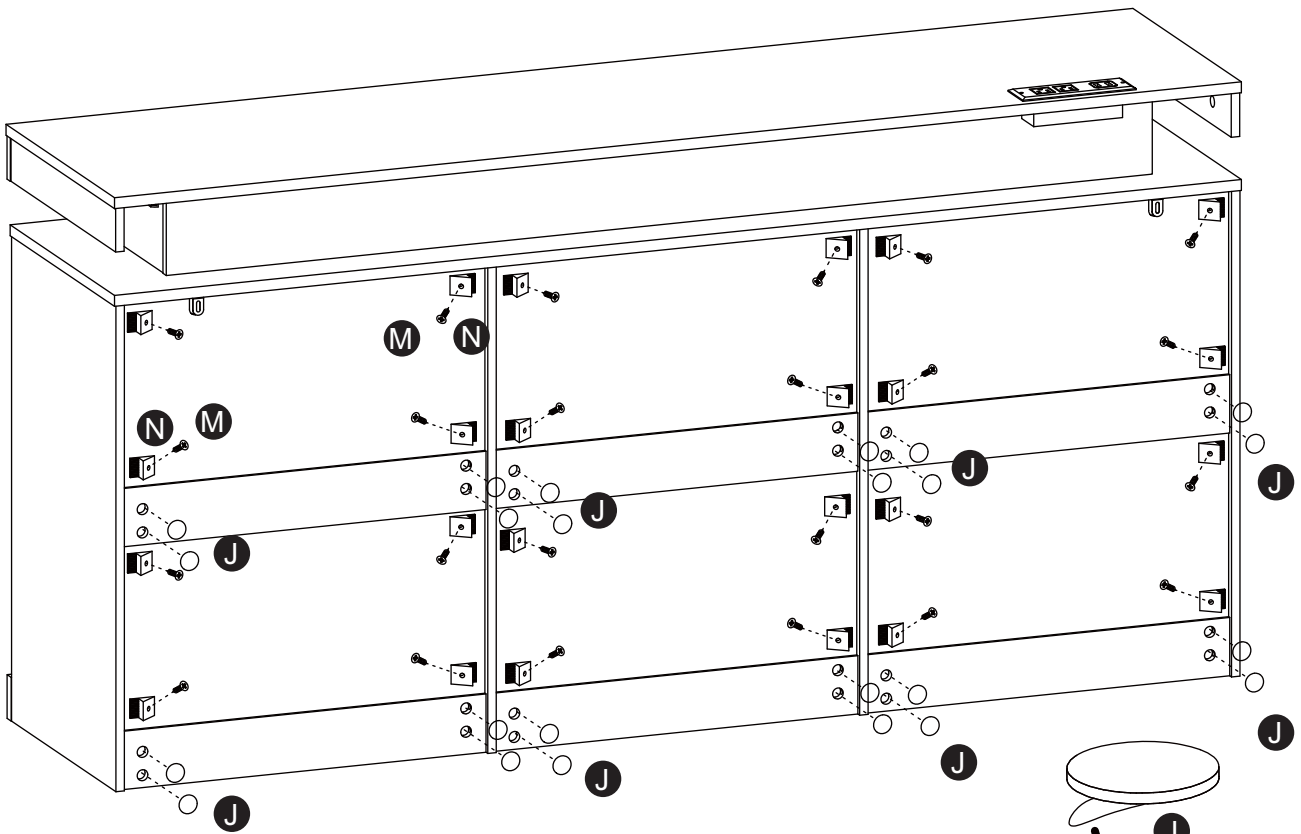
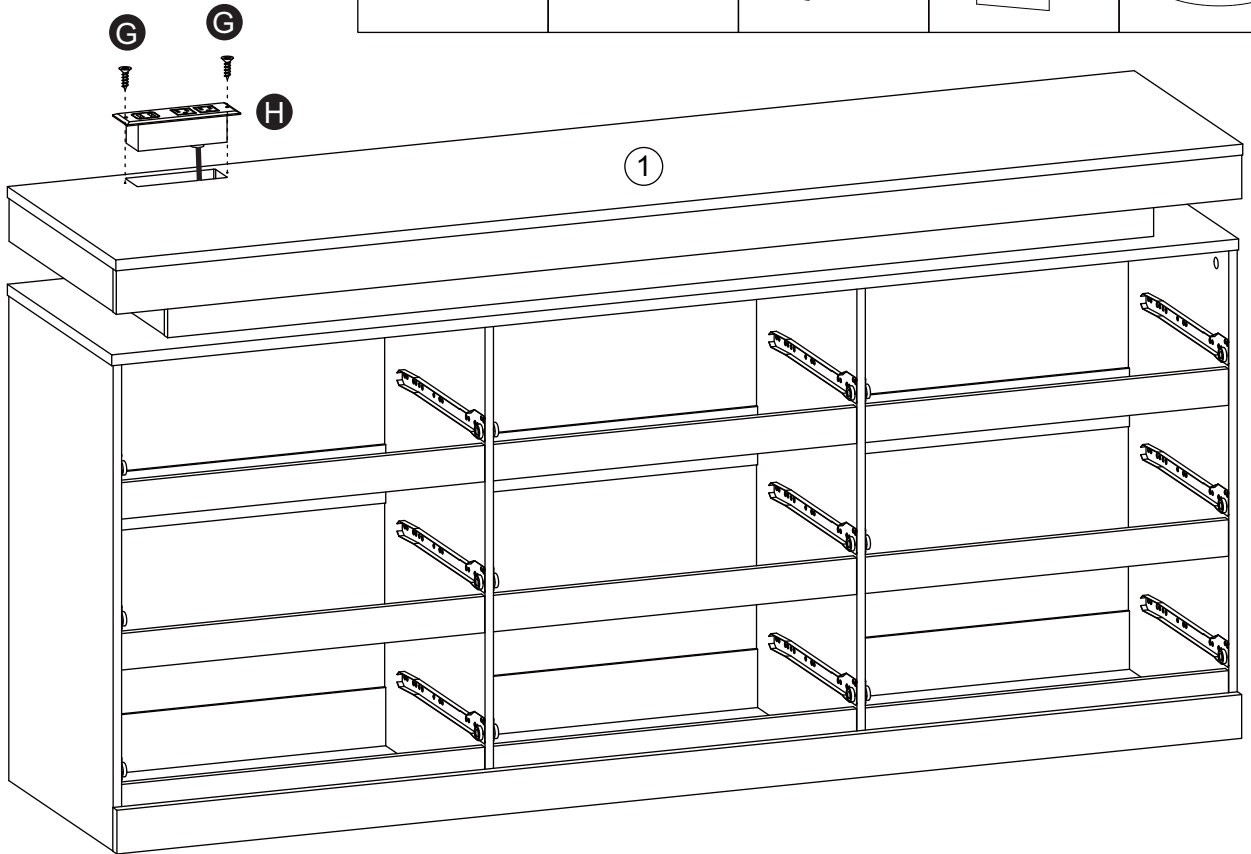
# Step 17

<b>B</b> × 8	<b>C</b> × 8
	




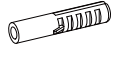
# Step 18

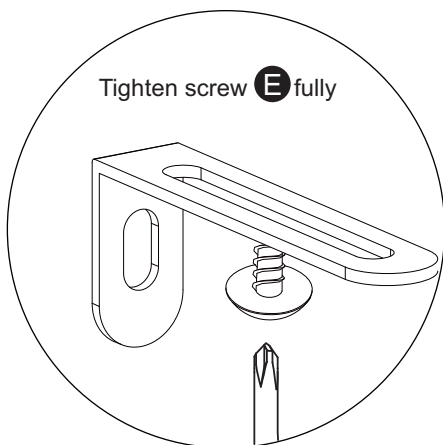
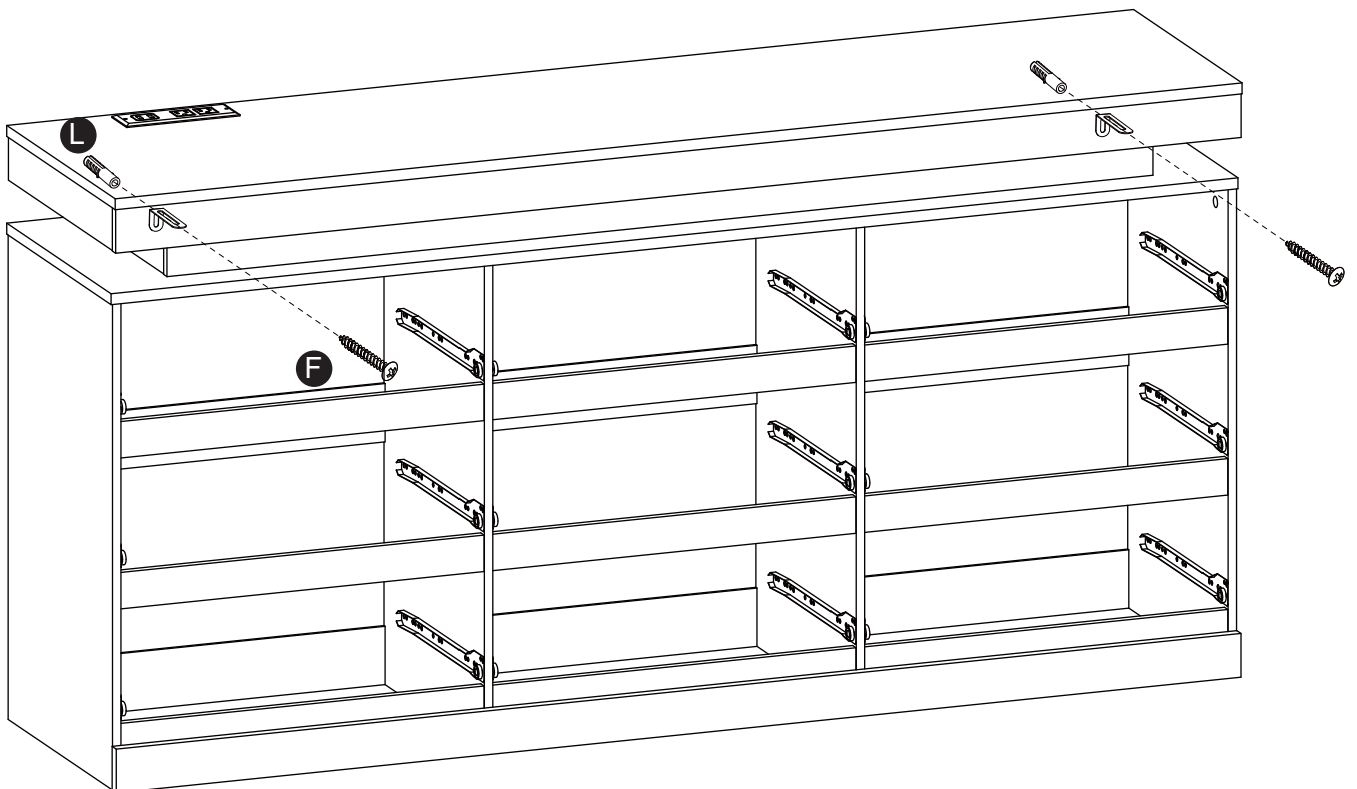
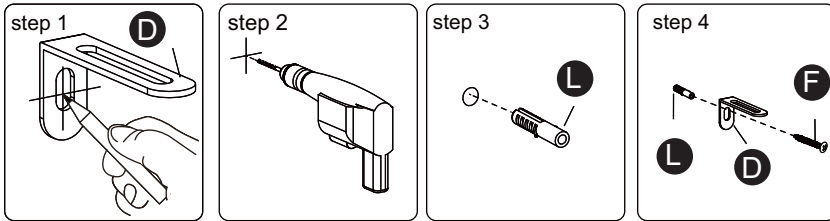
<b>G</b> × 2	<b>H</b> × 1	<b>M</b> × 16	<b>N</b> × 16	<b>J</b> × 24
				



Use the paper sticker **J** to cover the cam holes if needed

# Step 19

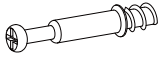

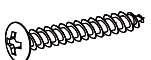
<b>F</b> × 2	<b>L</b> × 2
	

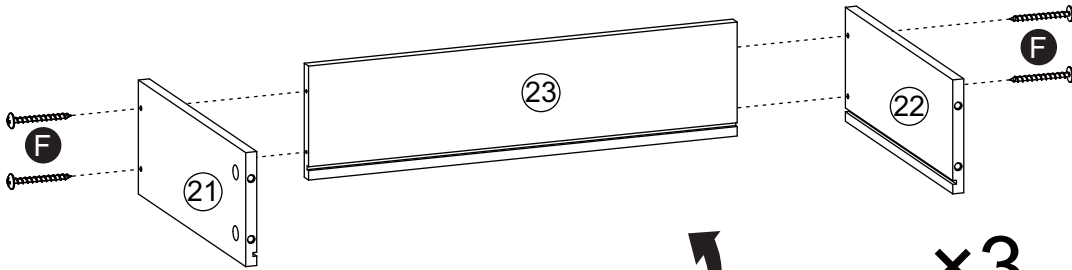


To reduce the risk of furniture tipping over , pls follow below steps to fix this item to the wall :

- 1) Place this unit to your desired location, use a pencil to make a small mark on solid wall through holes on top back panel
- 2) Move this unit away ,follow the pencil mark to drill holes on solid wall.
- 3) Screw wall anchor (L) into wall hole.
- 4) Place this unit against to the wall, fix screw(F) through wall bracket (D) into wall anchor (L) .

# Step 20

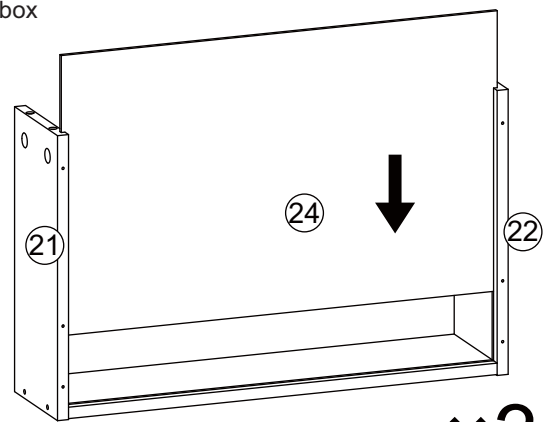
<b>A</b> × 12	<b>B</b> × 12	<b>F</b> × 12
		



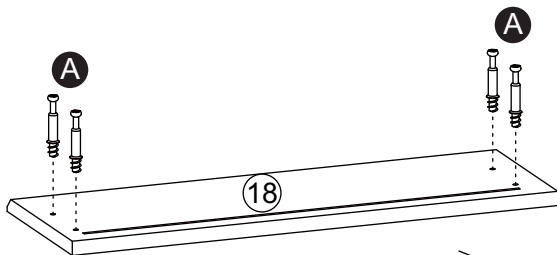
90°

Rotate the drawer box

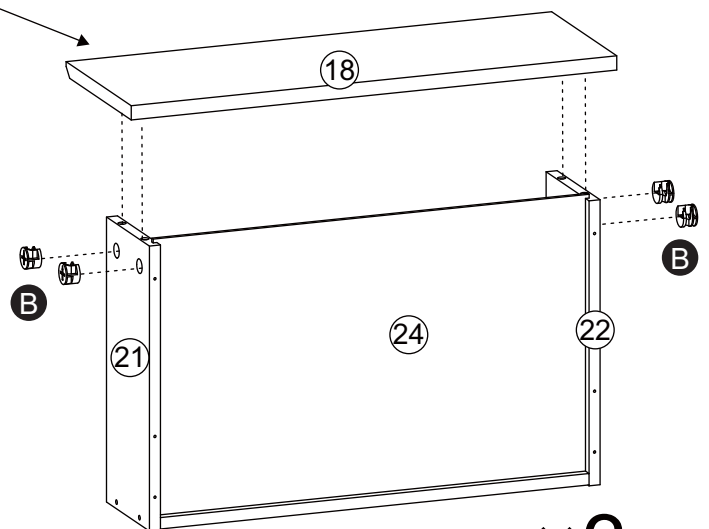
× 3



× 3

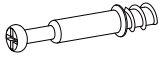

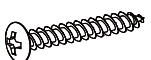


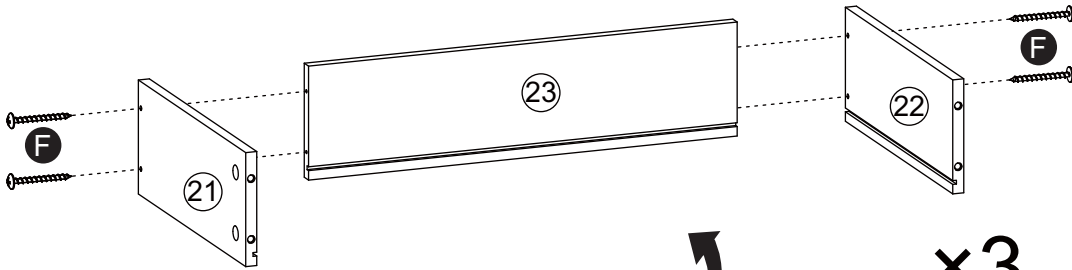
× 3



× 3

# Step 21

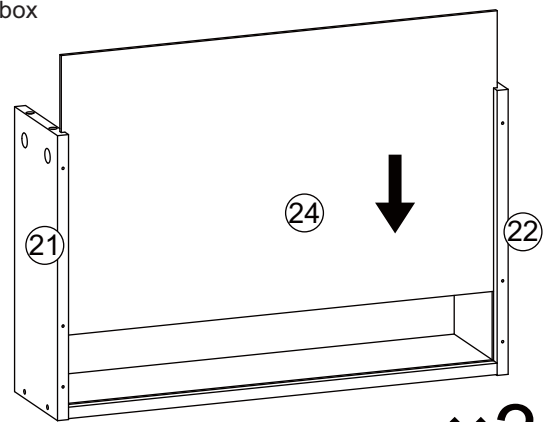
<b>A</b> × 12	<b>B</b> × 12	<b>F</b> × 12
		



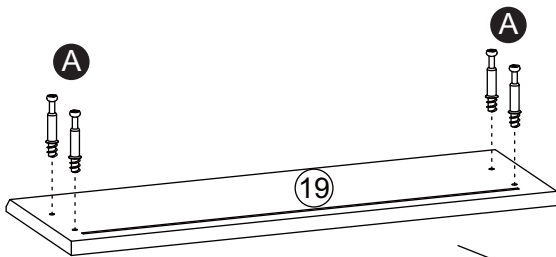
90°

Rotate the drawer box

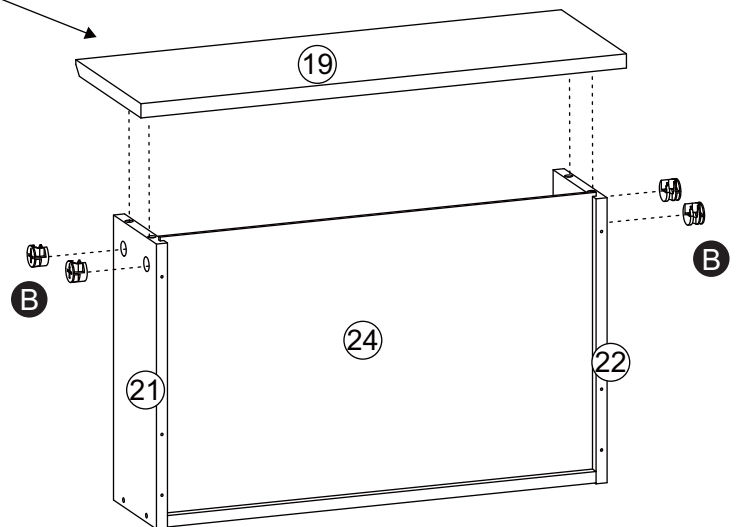
× 3



× 3

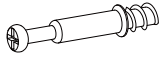

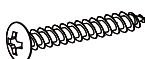


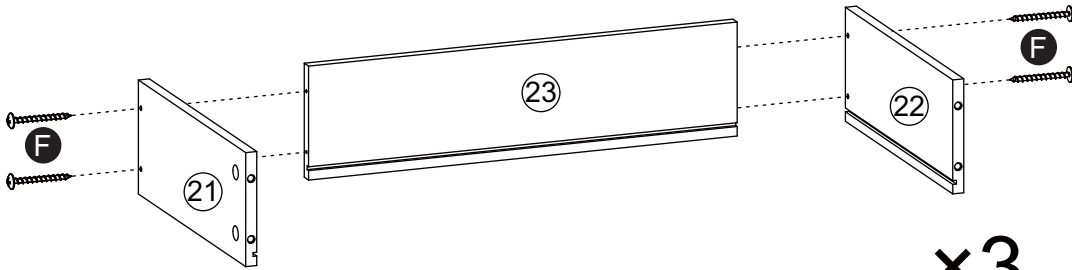
× 3



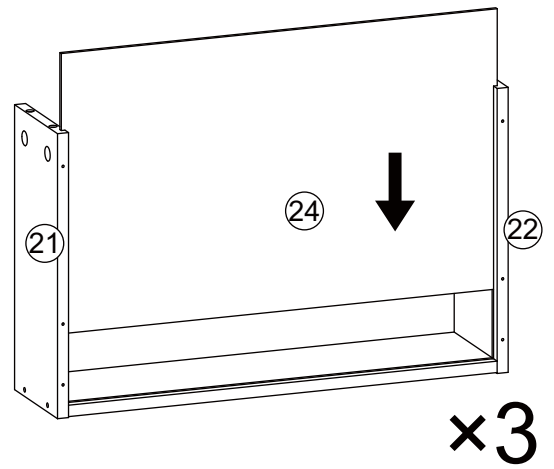
× 3

# Step 22

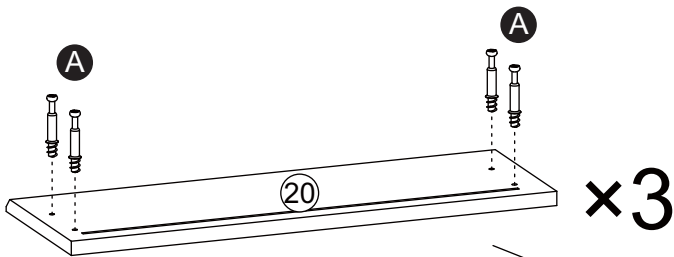
<b>A</b> × 12	<b>B</b> × 12	<b>F</b> × 12
		



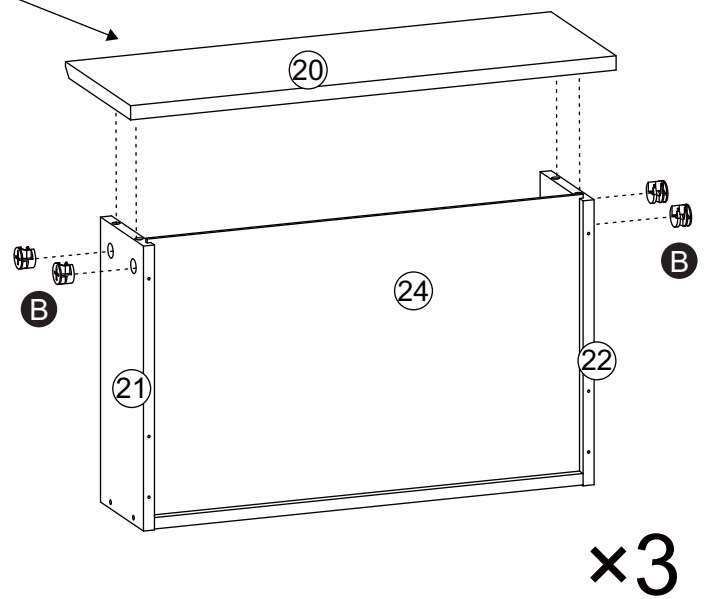
× 3



× 3


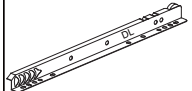
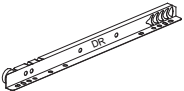


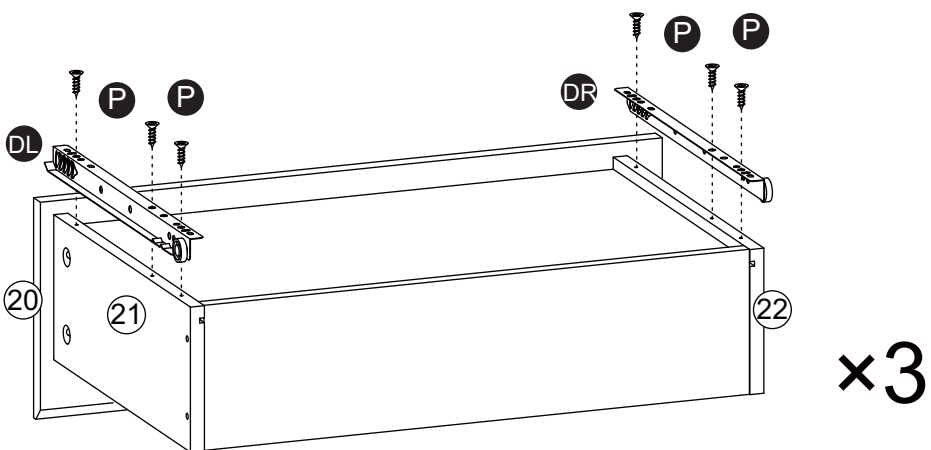
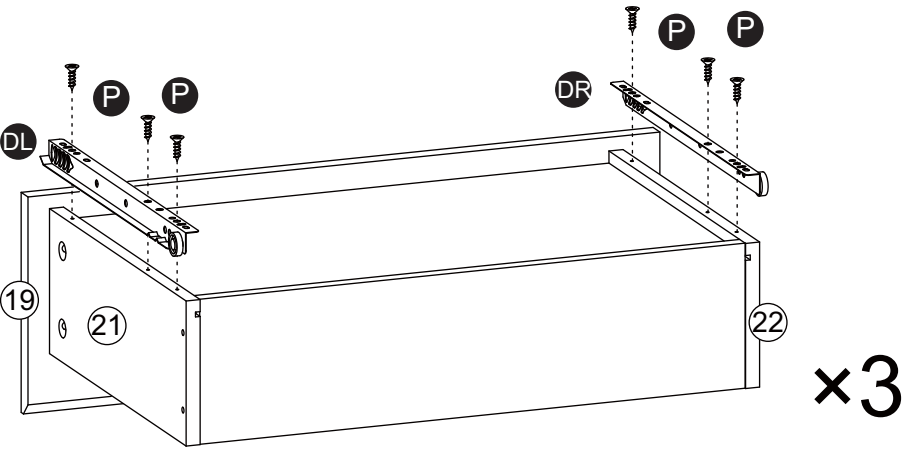
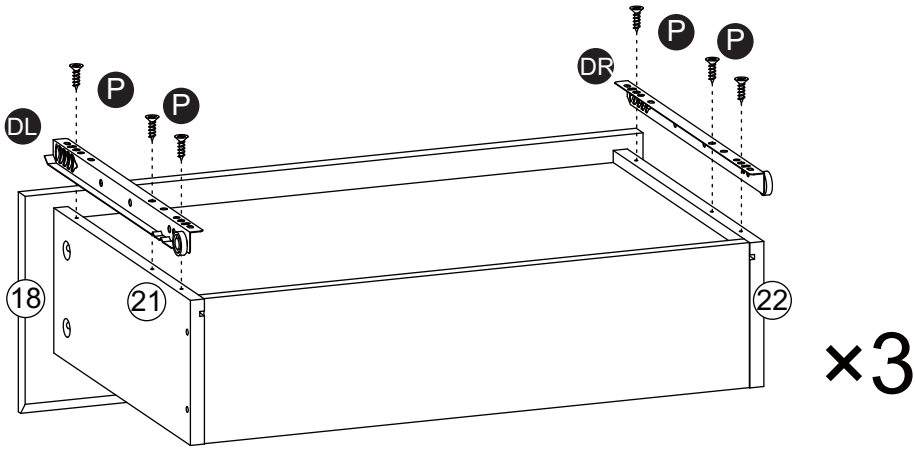
× 3



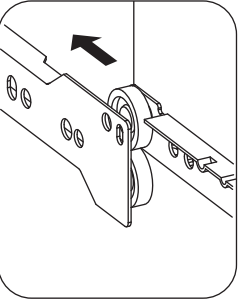
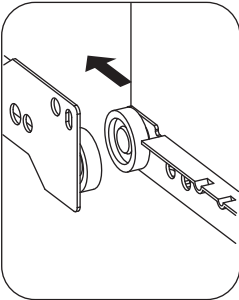
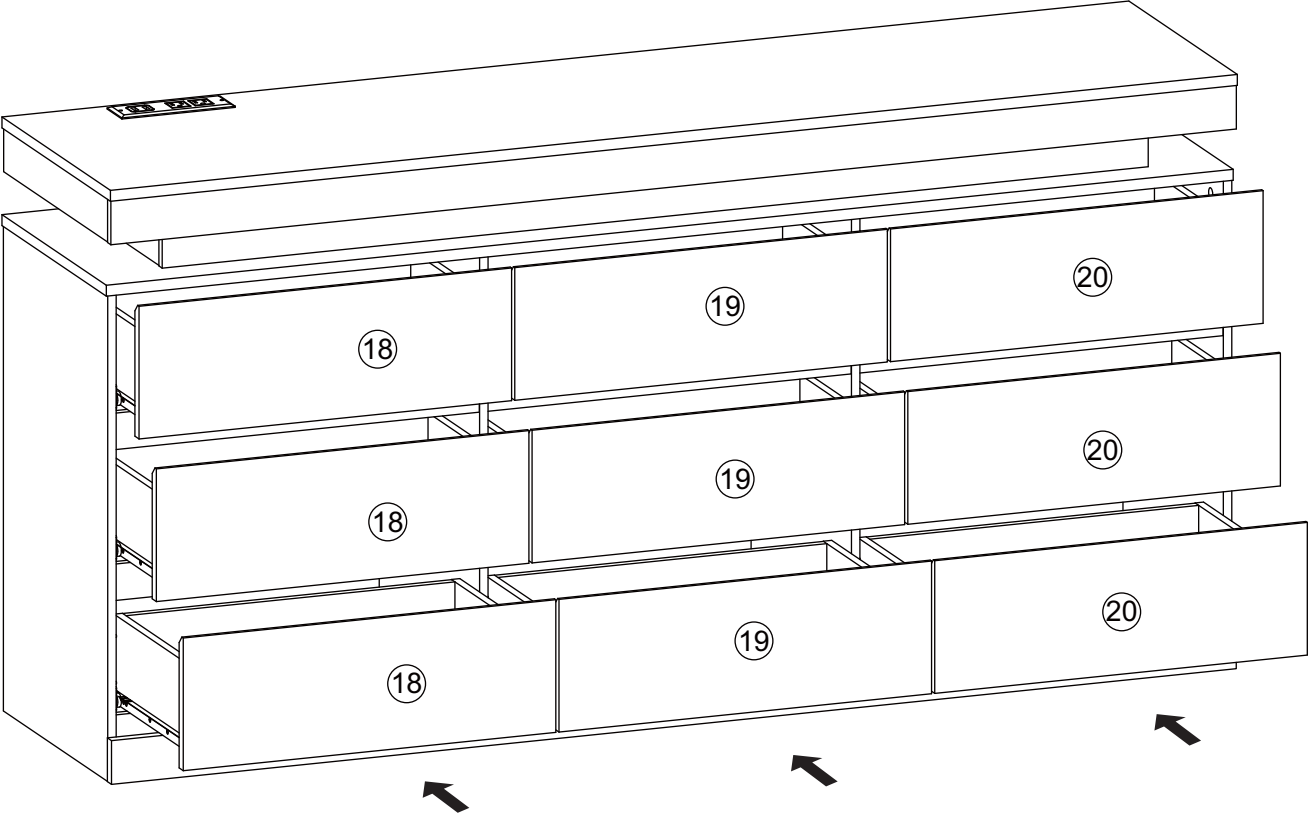
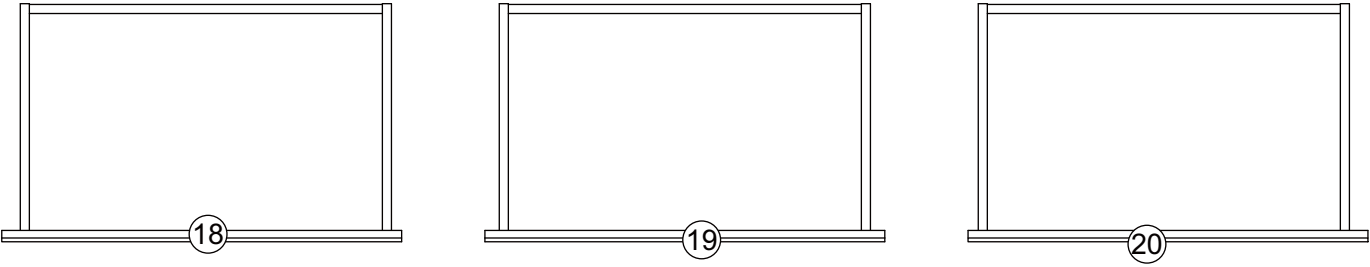
× 3

# Step 23

<b>P</b> × 54	<b>DL</b> × 9	× 9
		



# Step 24



## IMPORTANT SAFETY INFORMATION

Please carefully read the instructions and caution warnings below before assembling the product. Following this guide will ensure that you install, use and maintain the product properly.

- Please keep this installation and user manual/instructions for future reference in case you need to assemble the product.
- Do not assemble if you notice serious damage such as cracks or bends.
- During installation, please use work gloves for hand safety.
- Please assemble the unit on carpeted floor or the flat cardboard box to avoid scratching the surface or your floor while assembling on the floor.
- To assemble, please use the complimentary installation tools (Allen Wrench). Pay more attention to the direction of components at each steps.
- It is recommended that two people work together to assemble the product.
- Please do not tighten the screws up too much, just to 80% before you finish to make the installation go on successfully.

## RETURN POLICY

We believe you will absolutely love your new product. But for some reason you want to return your item, please contact us within 30 days after receiving and ensure that the product which you want to return is in a good condition in the original box with all original certificates of purchase, manuals and accessories attached.

## HOW TO MAINTAIN YOUR PRODUCT:

- Check the screws of the product are not loose from regular use.
- Do not use sharp instruments, rubbing alcohol, corrosive chemicals, or abrasive cleaners to clean the product.
- Do not keep the product in a damp environment for a long period of time. The damp environment may cause the iron components to rust and the plates to bulge and crack.

**How to find us?**  
**Customer Service**  
**Email: [support@garvee.com](mailto:support@garvee.com)**