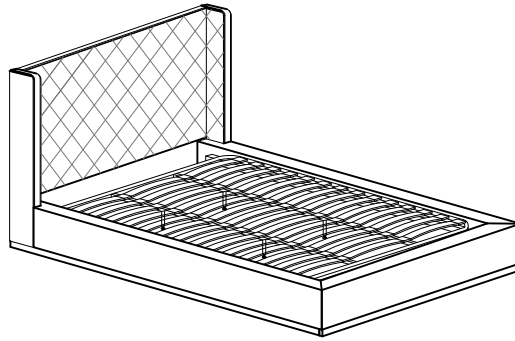
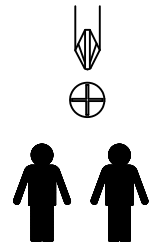


# ASSEMBLY INSTRUCTIONS

## 1950x2050 King



Tools Needed  
2 person build



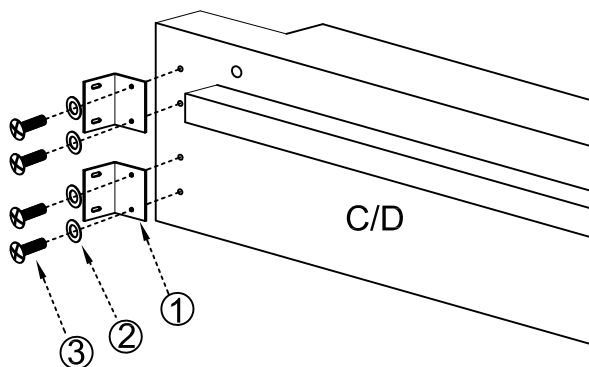
### BED FITTINGS

Brackets (90H)	Washers (M8)	Bolts (M8*25)	Brackets (130H)	Bolts (M8*150)
① X 4	② X 30	③ X 28	④ X 2	⑤ X 2
Felt Pads	Brackets	Bolts (M4*10)	Center Support Legs	
⑥ X 6	⑦ X 6	⑧ X 6	⑨ X 4	

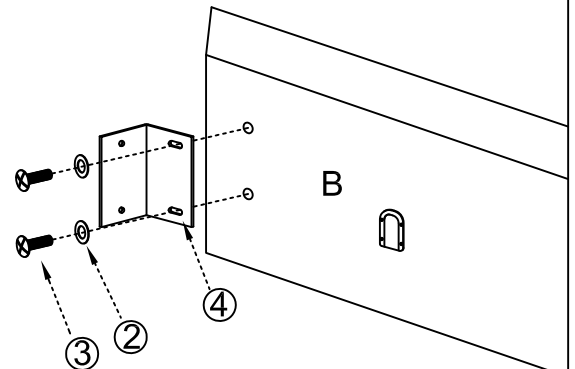
### PART LIST

Headboard	Footboard	Right Side Rail
A X 1	B X 1	C X 1
Left Side Rail	Slat Frame	
D X 1	E X 1	

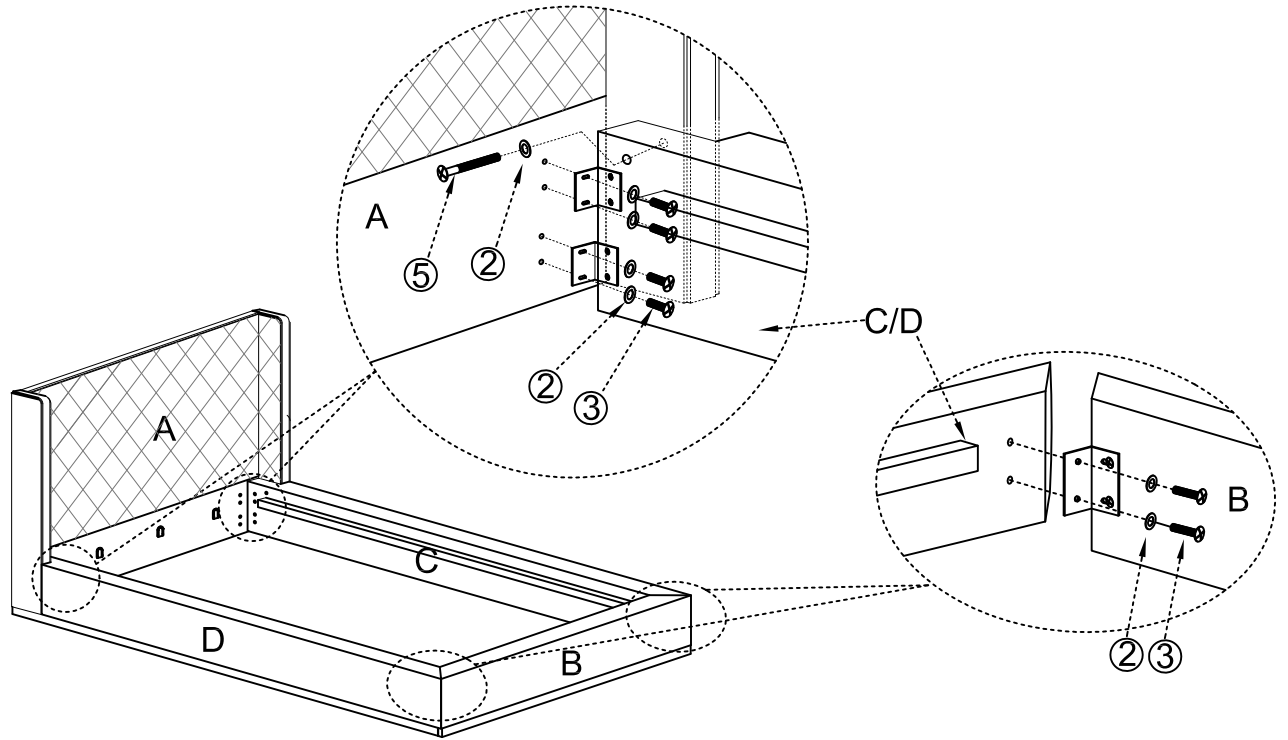
#### Step 1



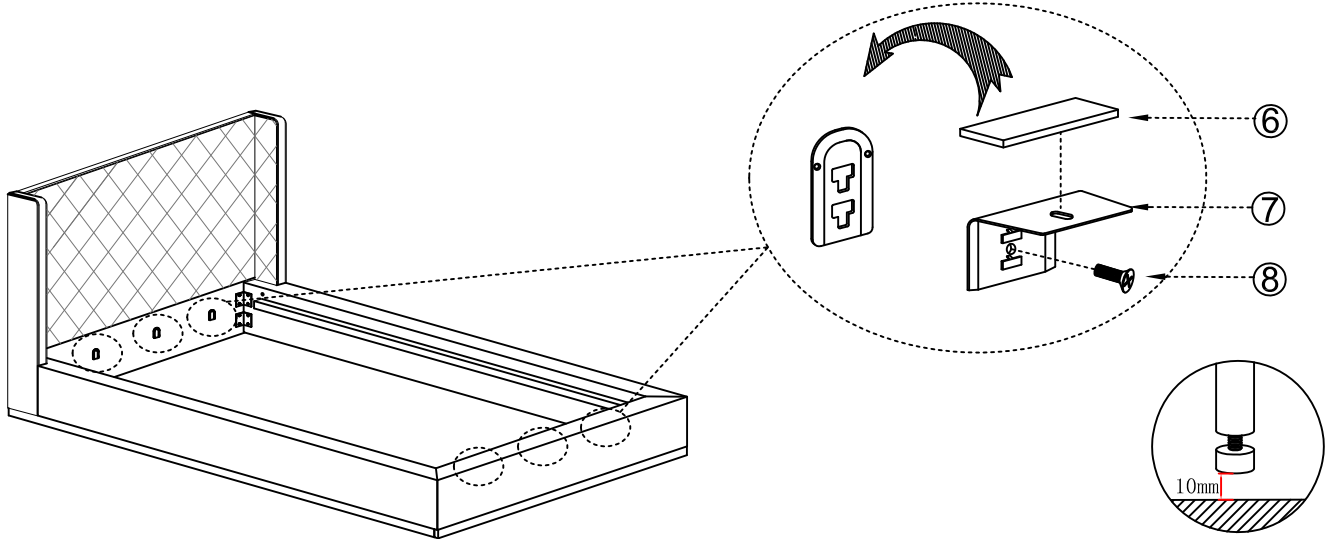
#### Step 2



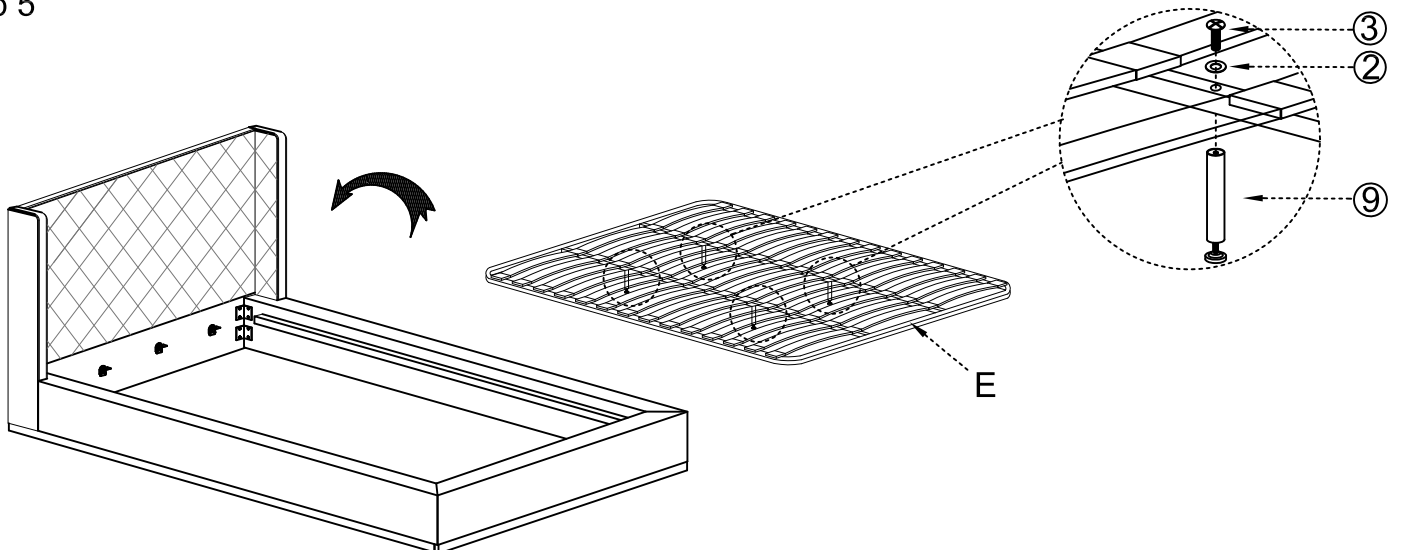
### Step 3



### Step 4



### Step 5



REMARK : ONCE BED IS ASSEMBLED, **DO NOT** SIT, STAND OR APPLY WEIGHT DIRECTLY TO SLATS UNLESS MATTRESS IS IN PLACE.