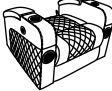




ASSEMBLY INSTRUCTION FOR ACME FURNITURE

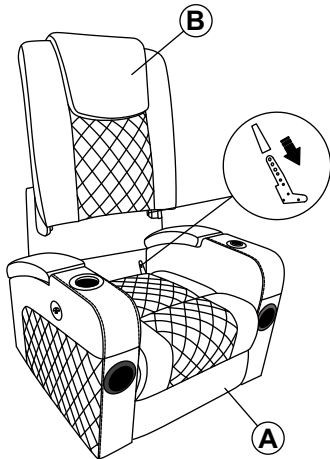
MODEL#LV02459

Thank you for purchasing the quality product. Be sure to check all packing material carefully for small parts which may have come loose inside the carton during shipment. Separate, identify and count all parts and metal hardware. Compare with all parts list to be sure all parts are present. If any part(s) are missing or damaged, please contact your local furniture dealer. For efficient and speedy service, please indicate the model number and code letter of part(s) needed.

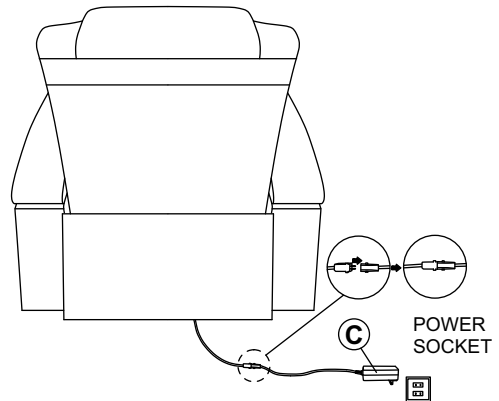
*** Do not fully tighten screws until fully assembled ***

COMPONENT PARTS			
DESCRIPTION	PART NAME		Q'TY (PCS)
(A)	SEAT BODY		1
(B)	BACKREST		1
(C)	POWER TRANSFORMER		1

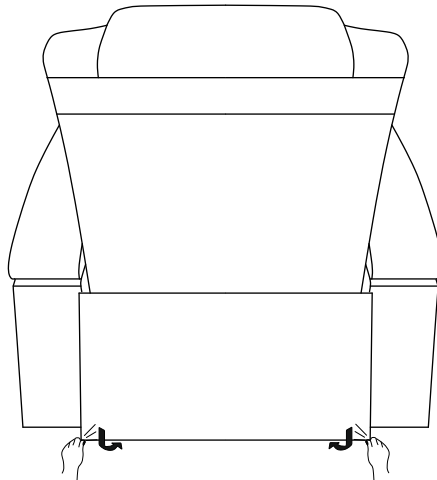
STEP 1: Attach Backrest (B) to Seat Body (A).



STEP 2: Attach connector (under the Seat Body) to Adapter (C) then connect Adapter (C) to Power Socket.



STEP 3: Cover back of the Seat Body attaching it with velcro.

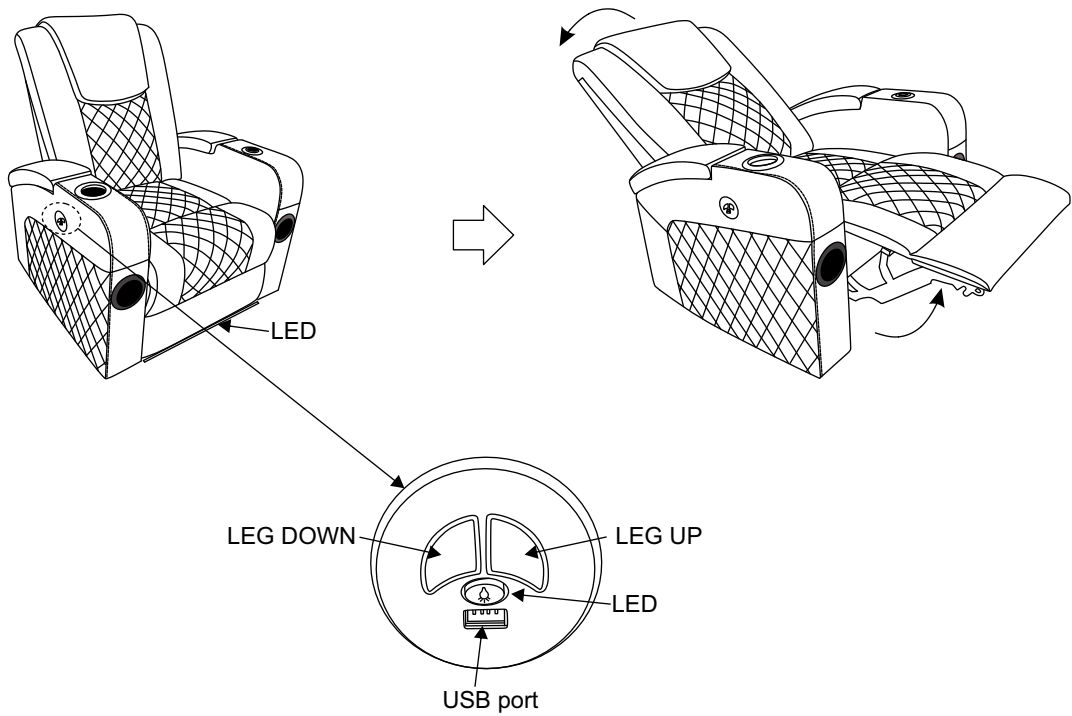


Attention

***Some number parts listed on the instruction sheet may not be in parts bag as they may already be assembled. Carefully check parts and packing materials prior to ordering replacements.

COMPLETE

* Adjust backrest, footrest



* Cooling Cup Holder, Wireless Charge, Hidden Storage, Bluetooth Speaker

