

INSTRUCTION MANUAL ENCLOSED

ATTENTION

**IF YOU HAVE ANY PROBLEMS OR QUESTIONS, EMAIL OR CALL
CUSTOMER SERVICE BEFORE YOU RETURN THIS PRODUCT TO
THE STORE WHERE IT WAS PURCHASED.**

****When emailing Customer Service, please include your Order Number and platform
of purchase in the email subject for quicker assistance.**

PLEASE READ AND FOLLOW ALL SAFETY TIPS

GETTING STARTED

1. Before assembly, **CAREFULLY** use scissors or utility knife to cut and unwrap all parts. Make sure you do not discard the hardware.
2. Make sure that you have all the parts listed. If you are missing any parts, please email us.
Please identify the parts you need and model number.
Make sure to include your name and address.
3. Please include your **Order Number** and **platform of purchase** in the email subject, and one of our customer service representative will get back to you.

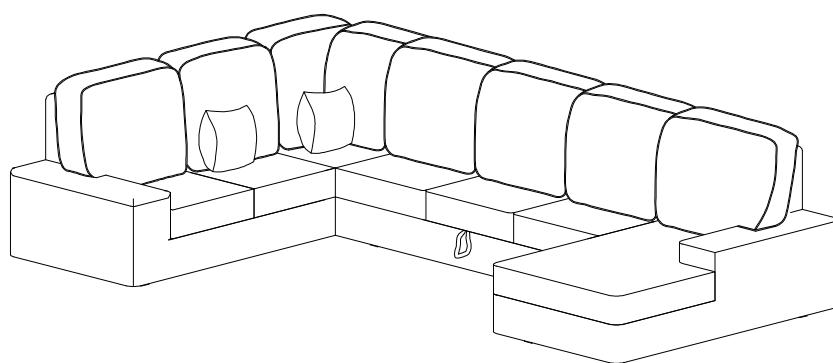
Warm Tips:

1. The plastic covers on some metal parts are just for product protection. Please remove it before assembly.
2. Please follow the sequence of AI during assembly.
3. Do not tighten the screws until all of them are in right positions.

INSTRUCTION MANUAL ENCLOSED

SOFA SET

SOFA SET ASSEMBLY INSTRUCTION



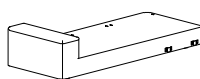


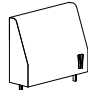
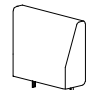
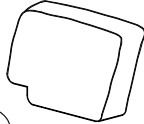
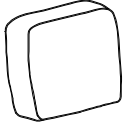
| Part | PARTS LIST Description | Quantity |
|------|-------------------------------|----------|
| A | 3 Seater Sofa | 1 |
| B | Seat Cushion (Sofa) | 3 |
| C | Short Backrest frame (Sofa) | 2 |
| D | Long Backrest frame (Sofa) | 1 |
| E | Right Side frame (Sofa) | 1 |
| F | L - Left Back Cushion (Sofa) | 1 |
| G | Center Back Cushion (Sofa) | 1 |
| H | Chaise | 1 |
| I | Short Backrest frame (Chaise) | 1 |

| | | |
|---|-------------------------------------|----|
| J | L - Back Cushion (Chaise) | 1 |
| K | Pillow | 2 |
| L | Sofa With Storage | 1 |
| M | Short Backrest frame (Sofa Storage) | 3 |
| N | Back Cushion (Sofa Storage) | 3 |
| O | Right Side Cushion (Sofa) | 1 |
| P | Right Back Cushion (Sofa) | 1 |
| Q | Plastic Leg | 13 |

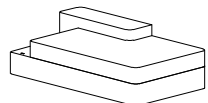
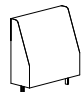
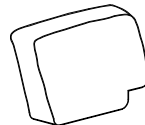

HARDWARE LIST

| | | |
|---|-----------------|----|
| S | Plastic Cover | 13 |
| Z | Allen Head Bolt | 13 |
| X | Allen Key | 1 |

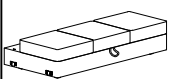
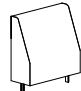
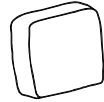





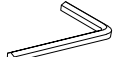
Components packed with Seater Sofa

| | | | | | | |
|---|---|---|---|---|---|---|
| Seat Cushion  Ⓐ 1 pc. | Seat Cushion  Ⓑ 3 pcs. | Short Backrest frame  Ⓒ 2 pcs. | Long Backrest frame  Ⓓ 1 pc. | Right Side frame  Ⓔ 1 pc. | L - Left Back Cushion  Ⓕ 1 pc. | Center Back Cushion  Ⓖ 1 pc. |
|---|---|---|---|---|---|---|

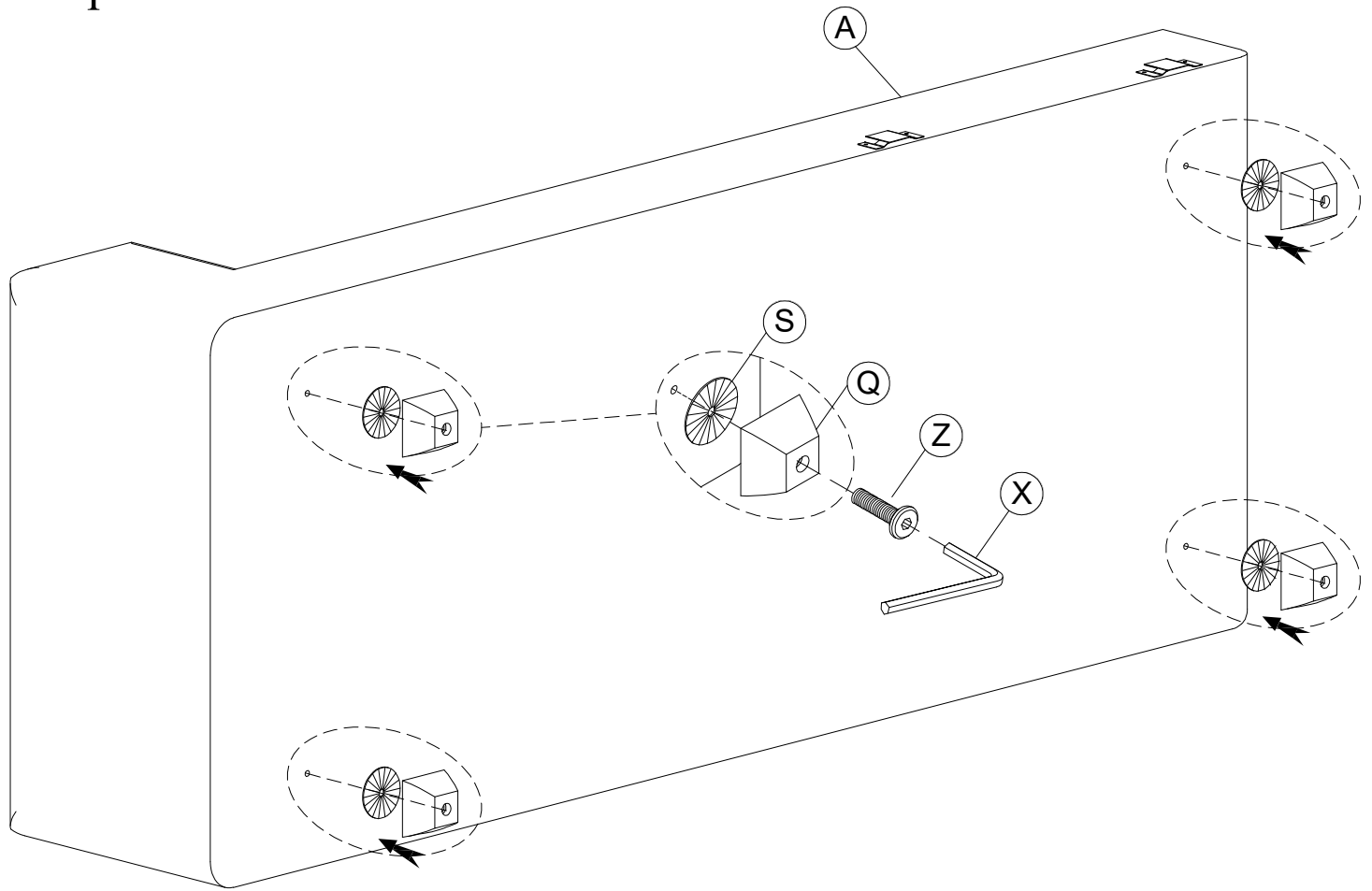
Components packed with Chaise

| | | | |
|--|--|---|---|
| Chaise  Ⓗ 1 pc. | Short Backrest frame  Ⓘ 1 pc. | L - Back Cushion  Ⓙ 1 pc. | Pillow  Ⓚ 2 pcs. |
|--|--|---|---|

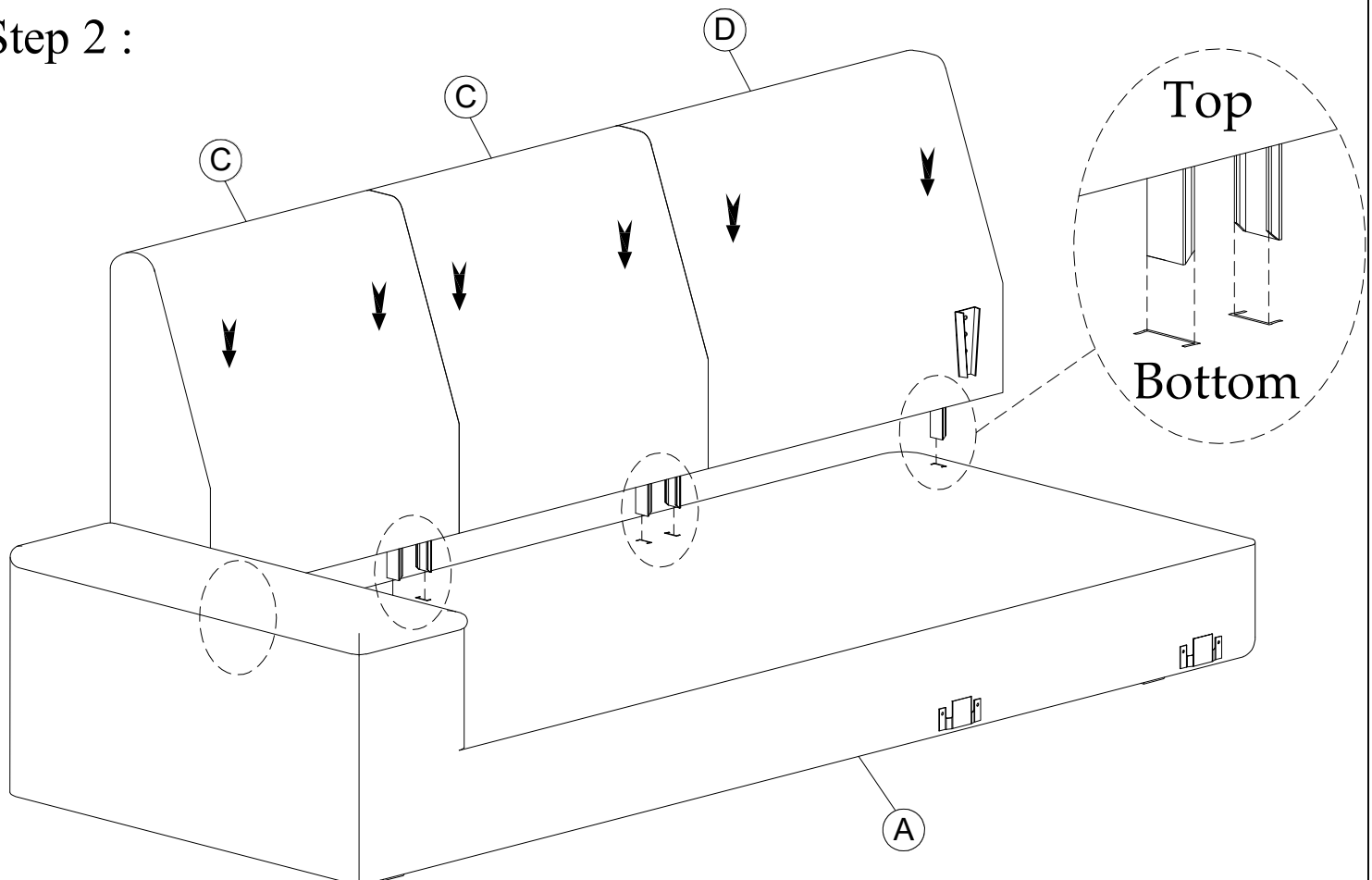
Components and Hardware packed with Sofa With Storage

| | | | | | | | | |
|--|---|---|--|--|--|---|---|---|
| Sofa with Storage  Ⓛ 1 pc. | Short Backrest frame  Ⓜ 3 pcs. | Back Cushion  Ⓝ 3 pcs. | Right Side Cushion  Ⓞ 1 pc. | Right Back Cushion  Ⓟ 1 pc. | Leg  Ⓠ 13 pcs. | Plastic Cover  Ⓢ 13 pcs. | Allen Head Bolt  Ⓩ 13 pcs. | Allen Key  Ⓧ 1 pc. |
|--|---|---|--|--|--|---|---|---|

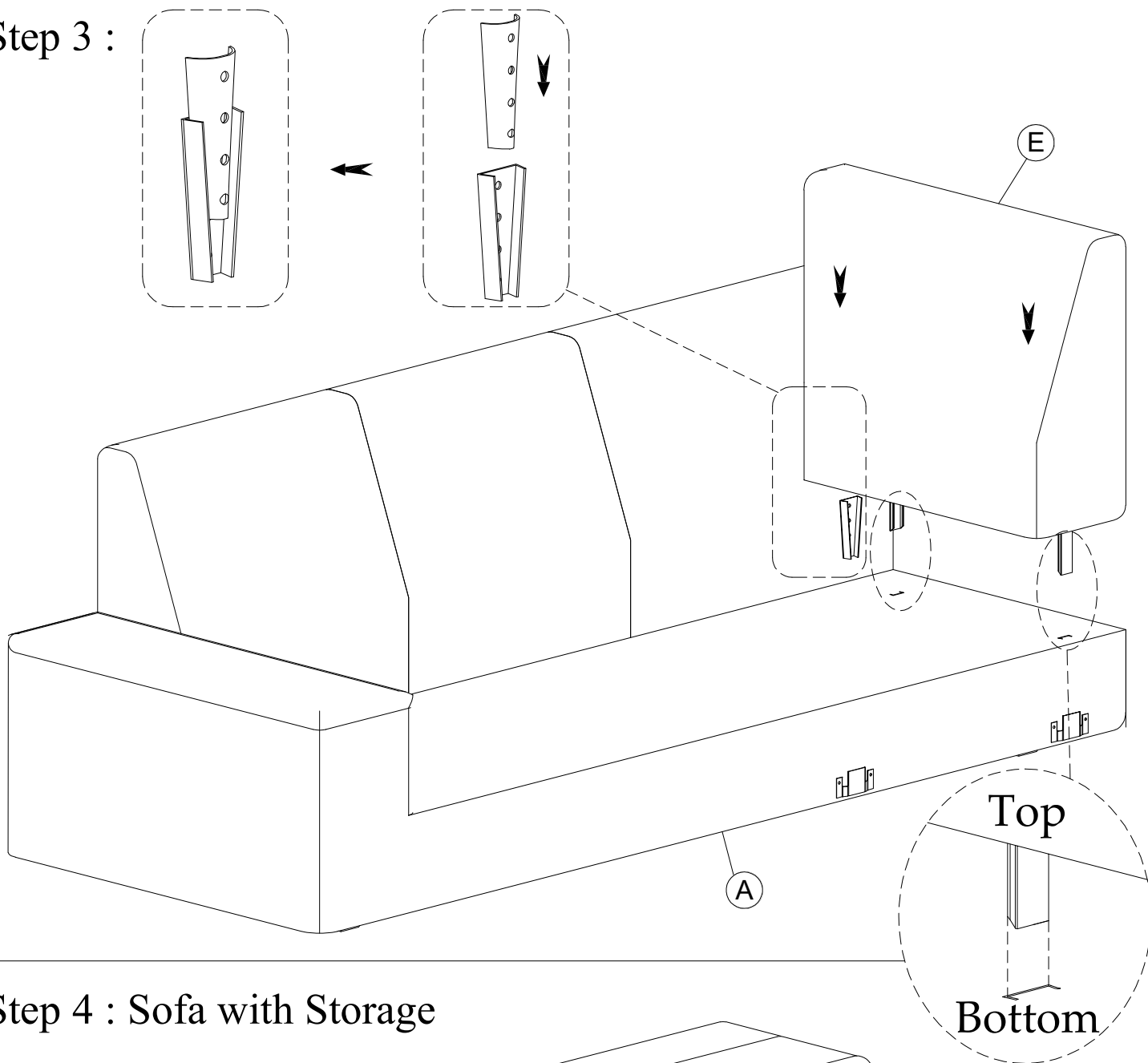
Step 1 : 3 Seater Sofa



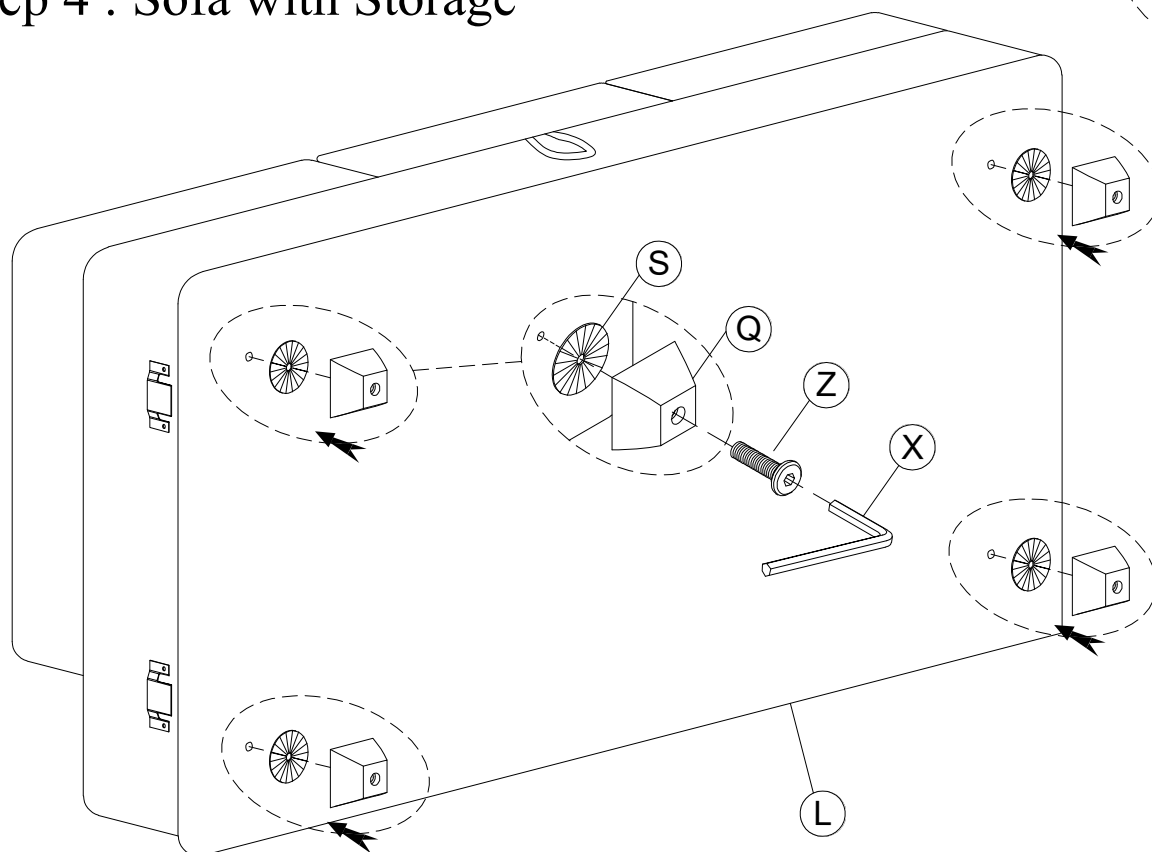
Step 2 :



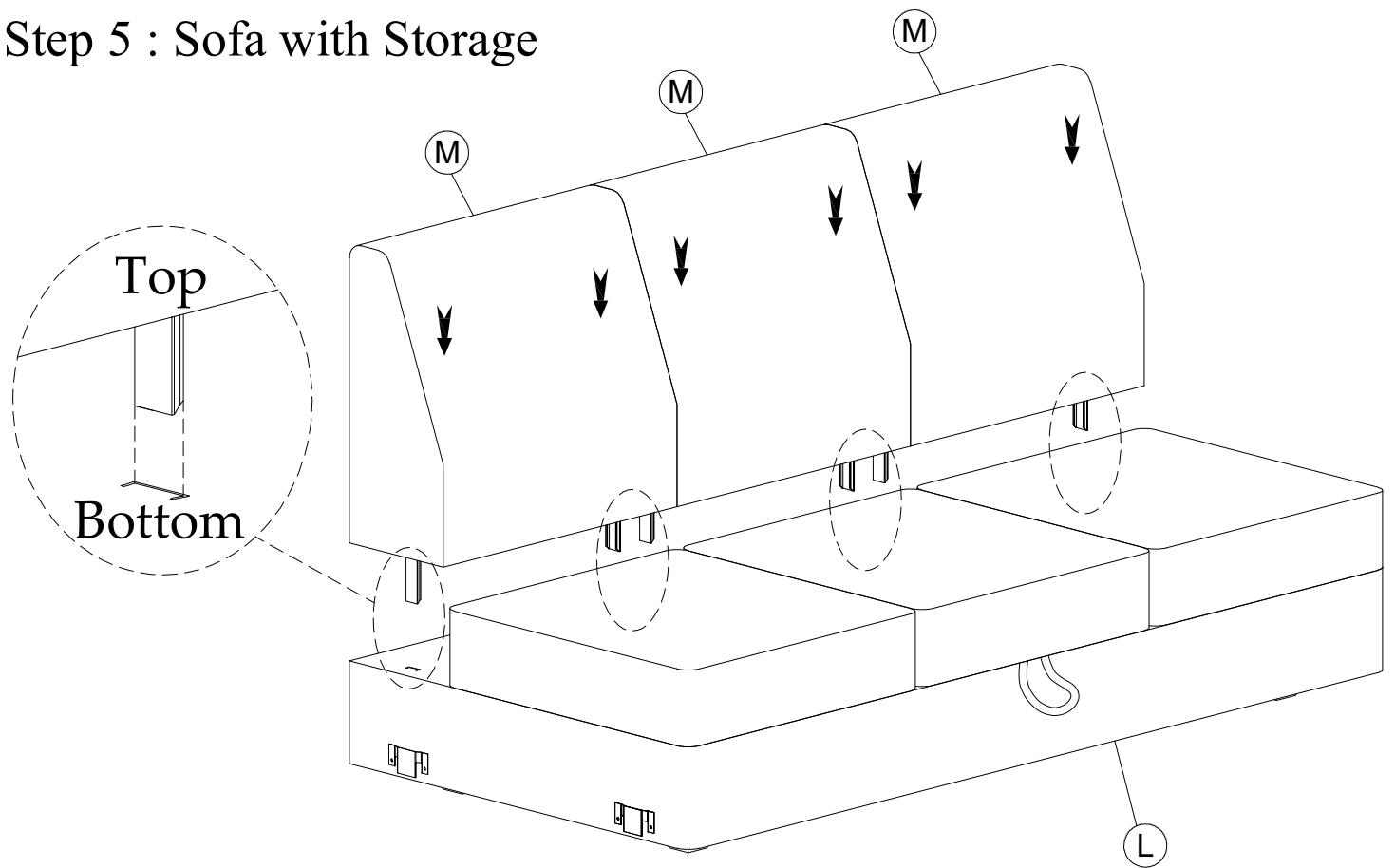
Step 3 :



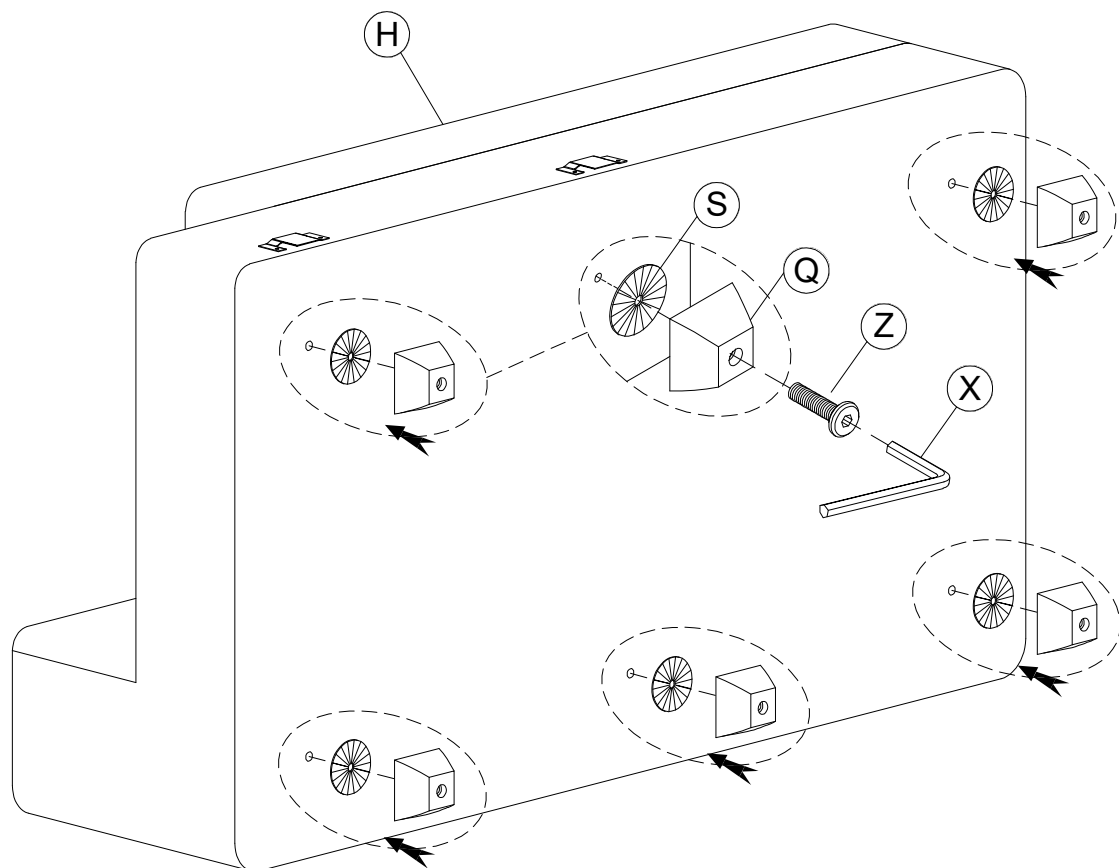
Step 4 : Sofa with Storage



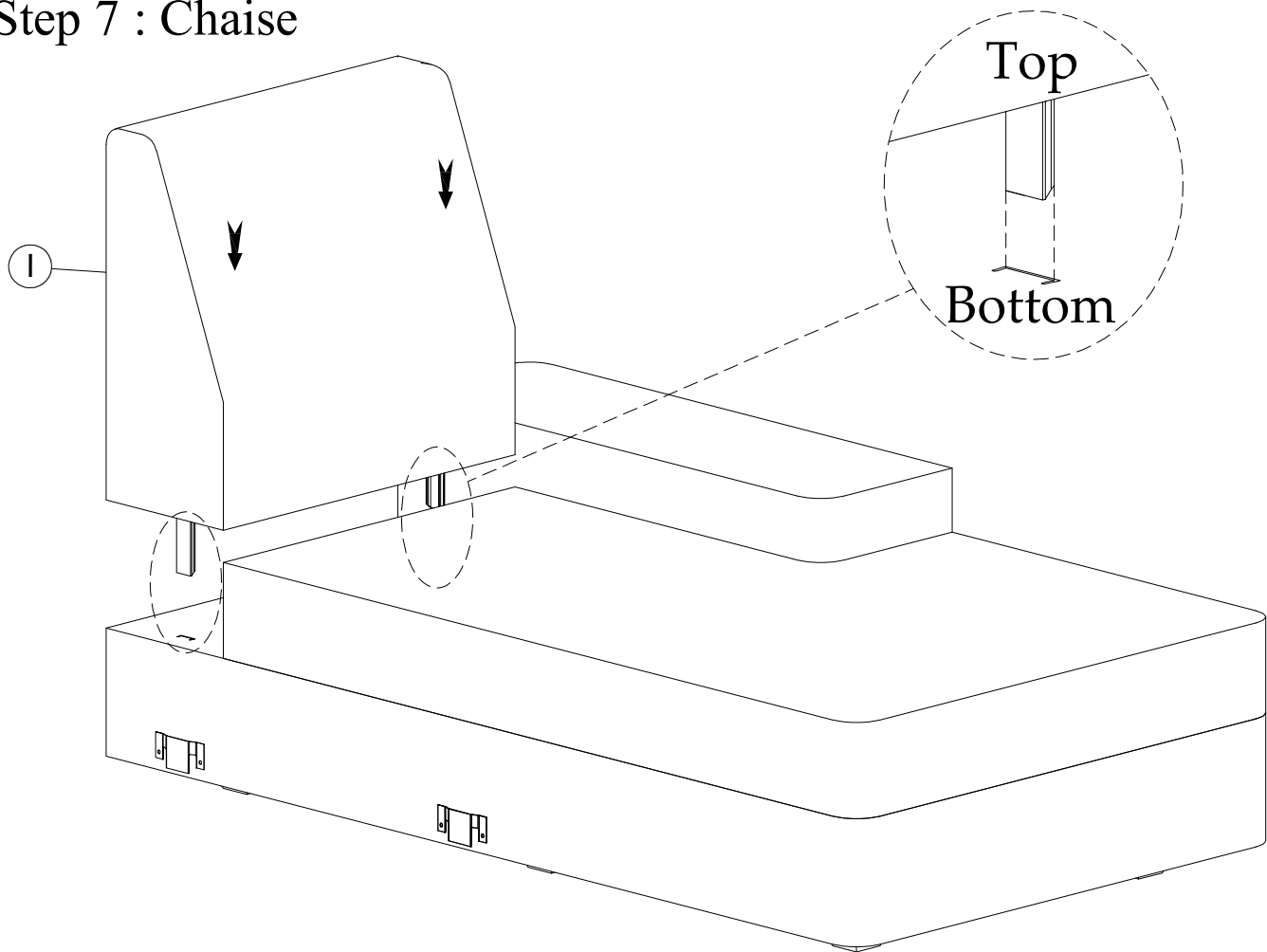
Step 5 : Sofa with Storage



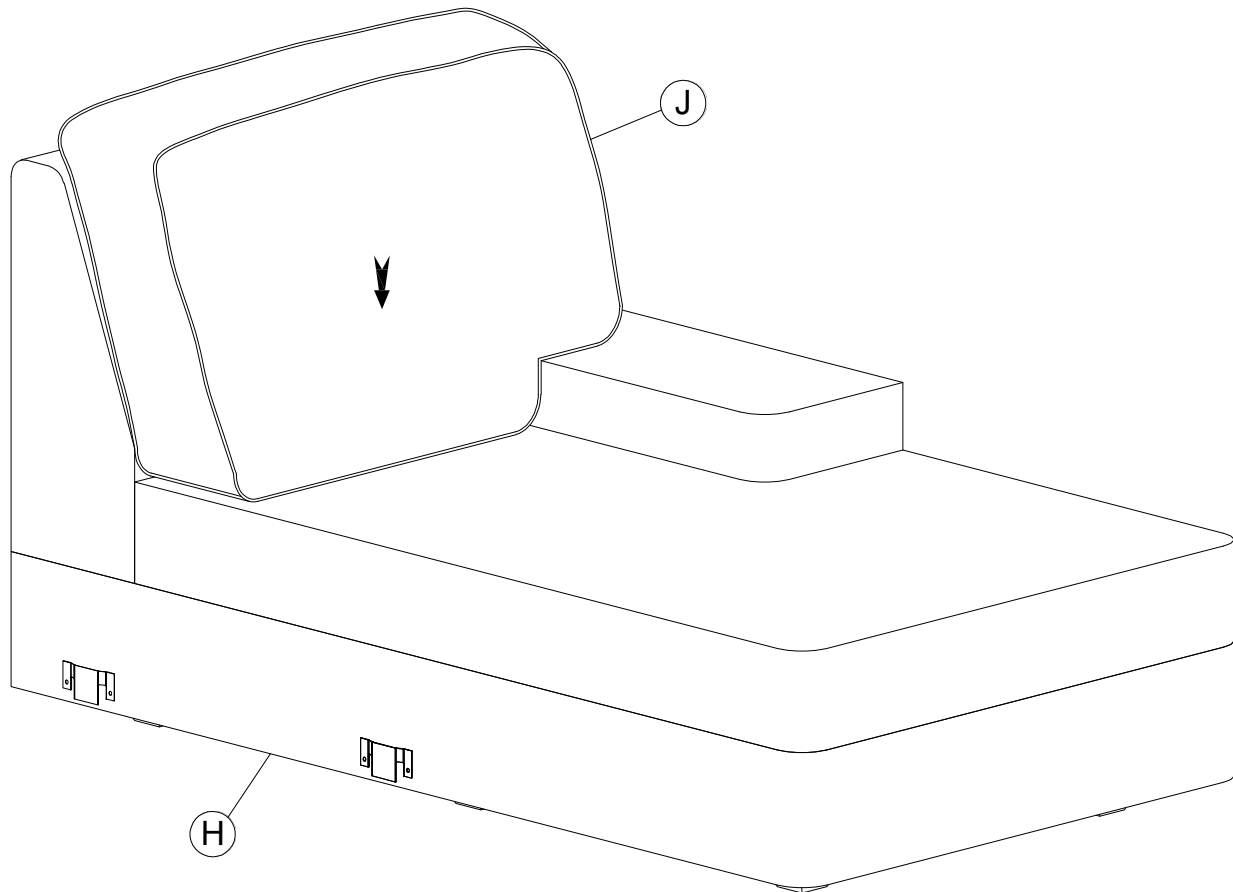
Step 6 : Chaise



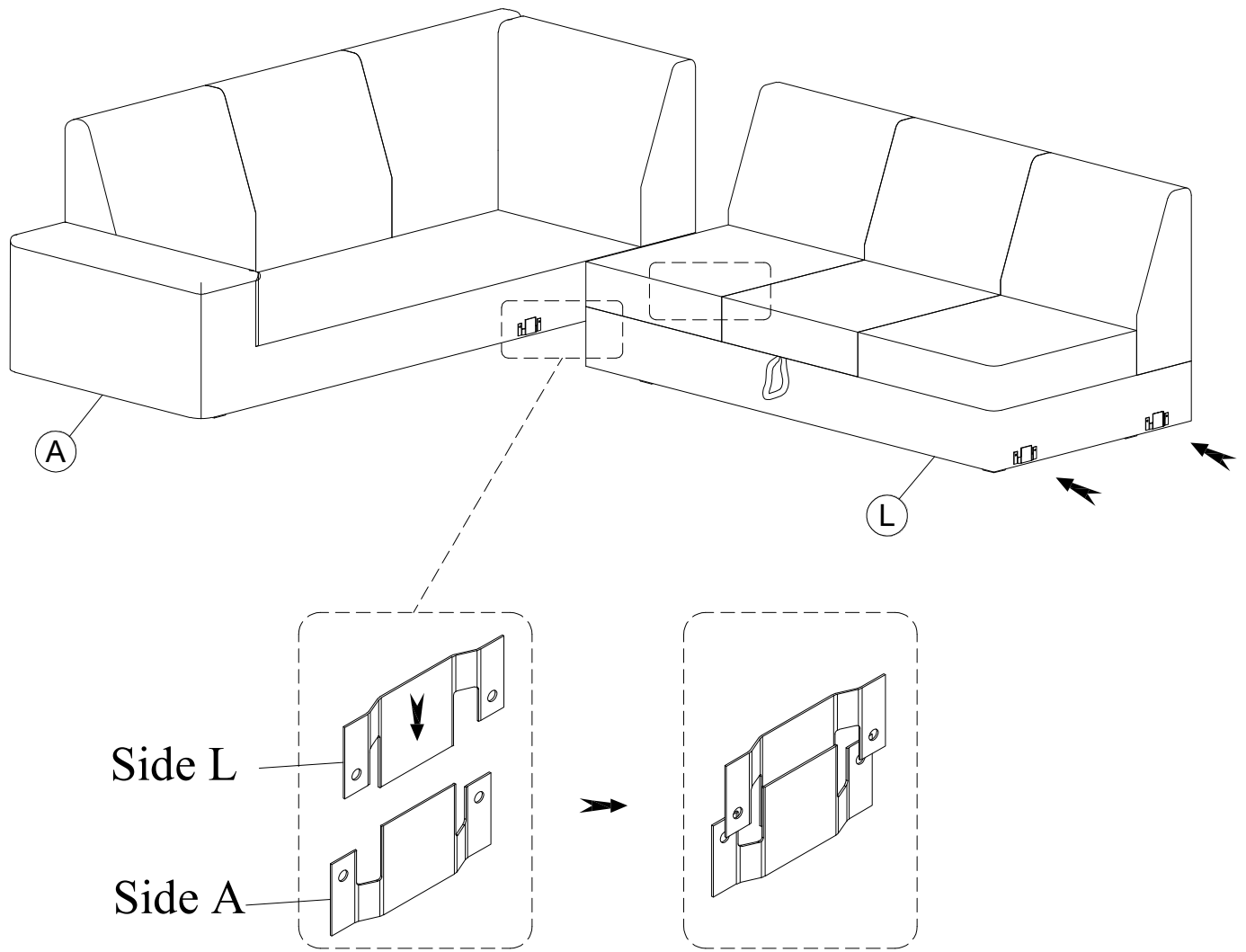
Step 7 : Chaise



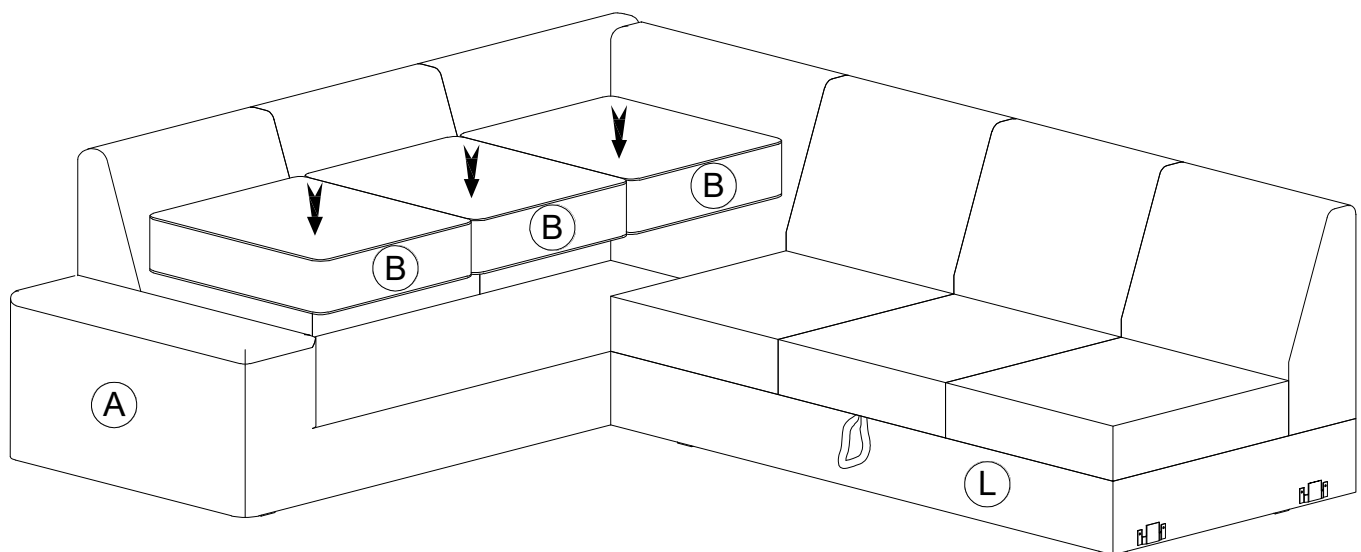
Step 8 : Chaise



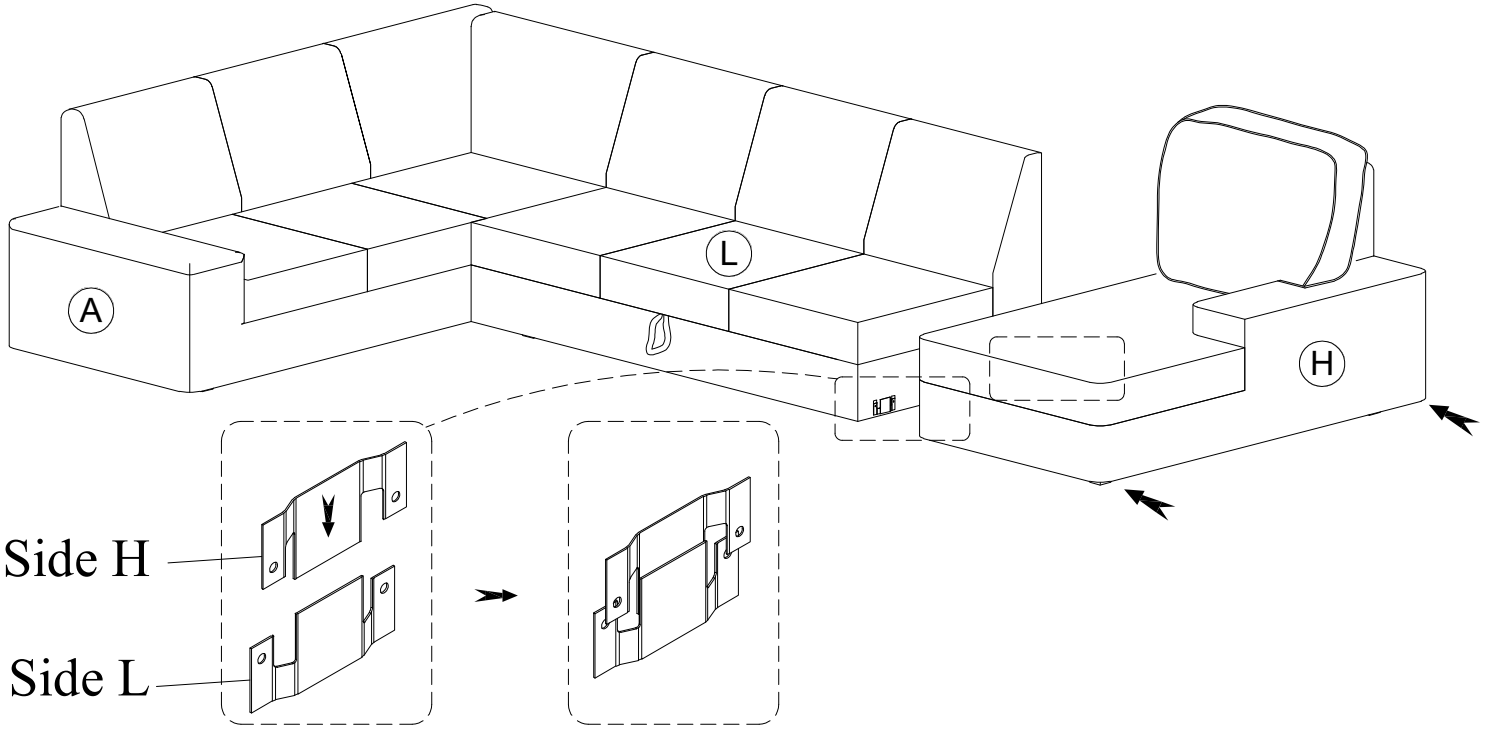
Step 9 : 3 Seater Sofa and Sofa with Storage



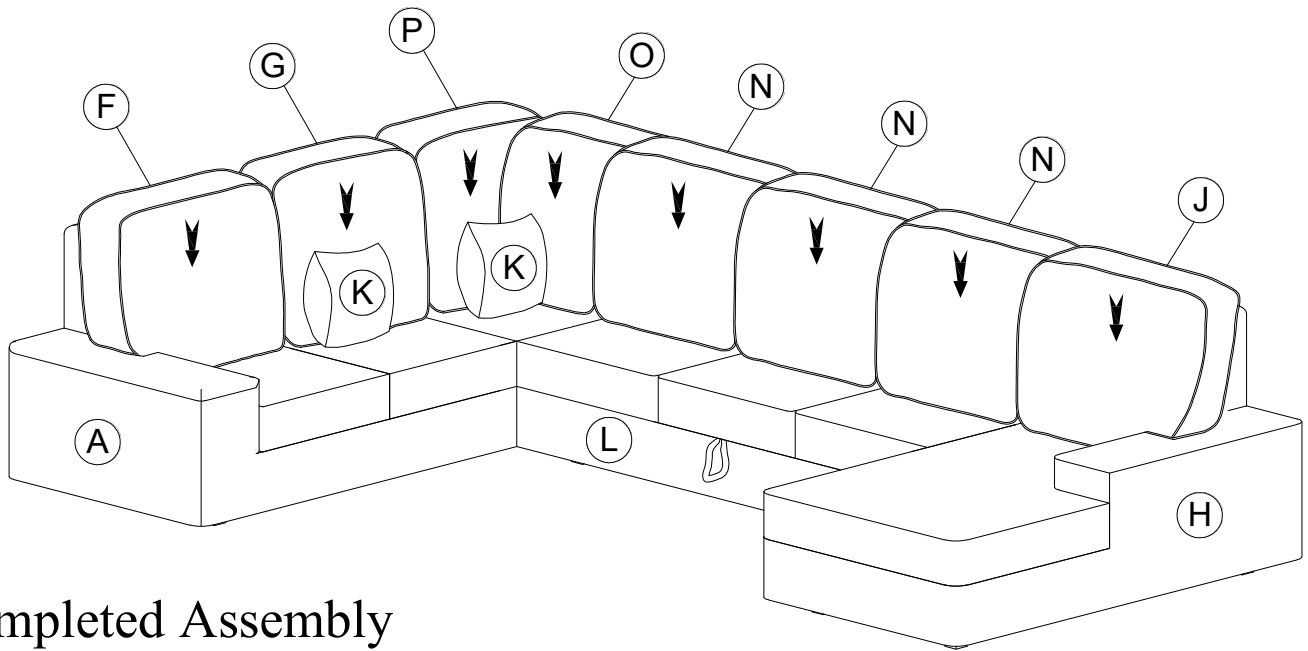
Step 10 : 3 Seater Sofa and Sofa with Storage



Step 11 : 3 Seater Sofa and Sofa with Storage and Chaise



Step 12 : 3 Seater Sofa and Sofa with Storage and Chaise



Completed Assembly

