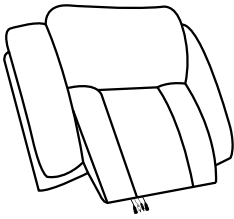
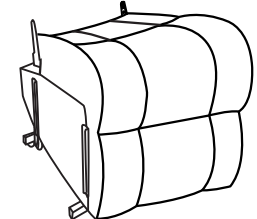
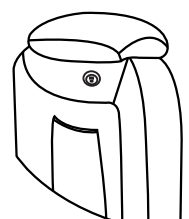
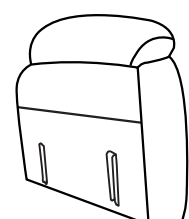
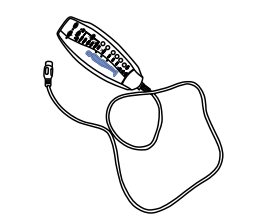
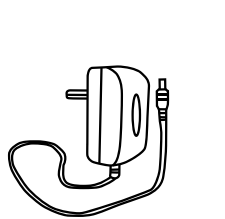
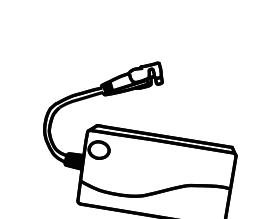

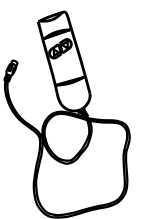
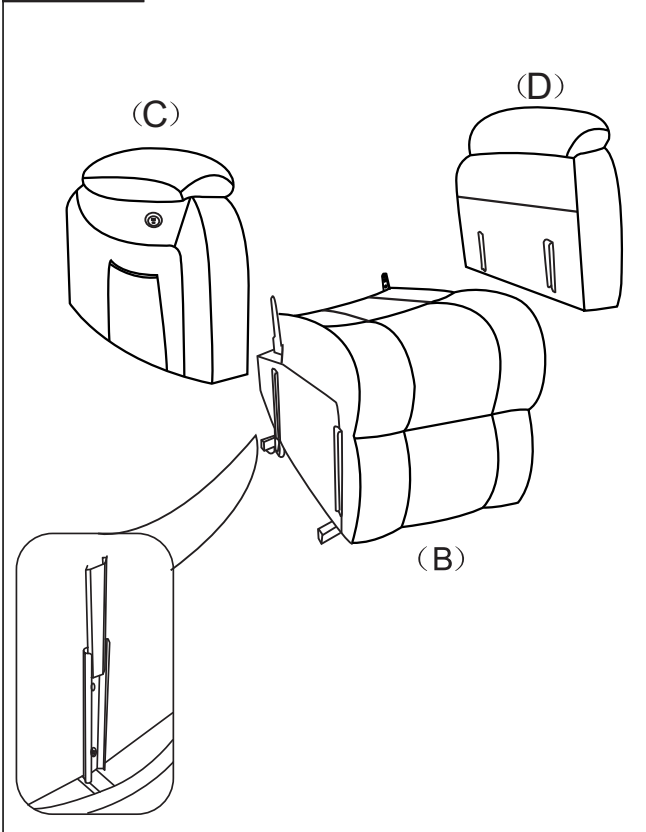


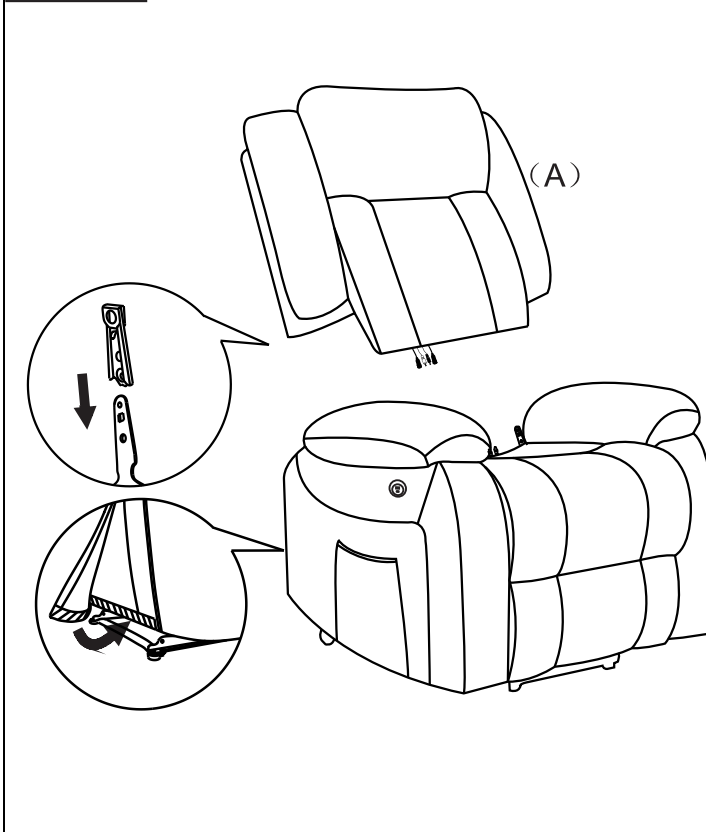
Massage Recliner Assembly Instruction

								
Backrest	Chair base	Left armrest	Right armrest	Massage control	Power cord	Power source	Power source	Remote control

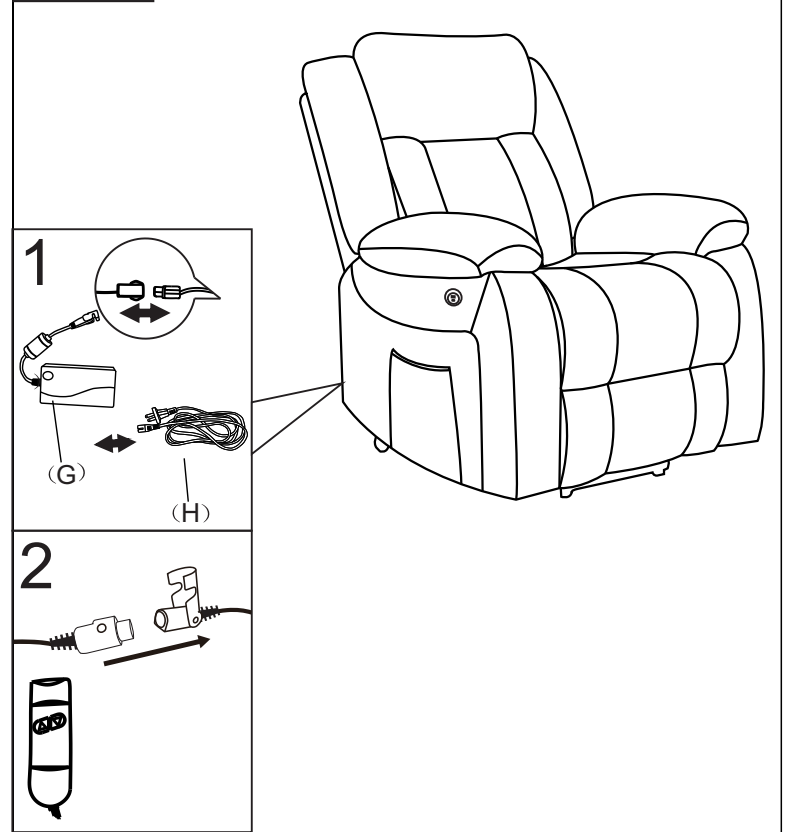
STEP 1



STEP 2



STEP 3



Massage Recliner Assembly Instruction

STEP 3

No.1 and No.2 wire connect with the backrest and chair base.
No.3 wire connects with backrest and power cord(D).
No.4 wire connects with backrest and remote control(C).

NOTE: Two same color wires connect.

