

Installation Instructions



SMC SHOWER TRAY

**Please do not return the product to the store.
Contact us with any questions.**



Email: After-sale-service-QA@outlook.com

Tel: (1)844-465-0168

SAFETY INFORMATION

Please read and understand this manual before attempting to install the product.

WARNING

Do not proceed if any question or concern of performing anything found in this manual. If necessary, hire or consult a certified plumber or licensed general contractor to install for you.

CAUTION

Carefully open the box to prevent any damage to the base surface.

CARE AND MAINTENANCE

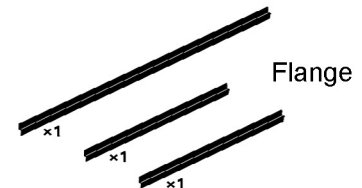
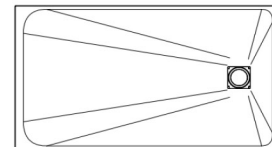
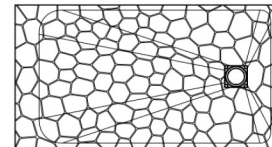
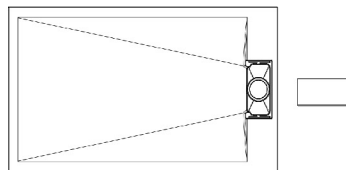
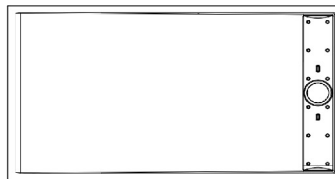
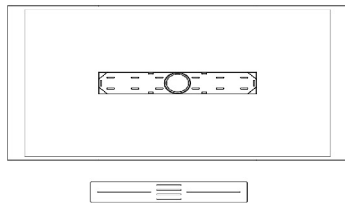
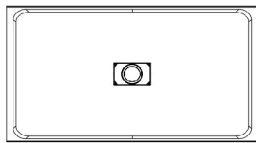
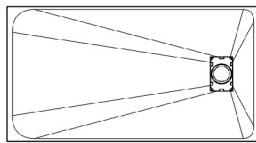
Simply wipe the surface with a damp towel to remove watermarks and stains. For basic stains, clean with mild detergent or general purpose cleaner. For corners and seams cleaning, spray with mildew cleaner.

WARRANTY

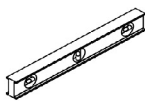
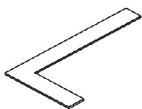
One (1) Year .

PREPARATION

Shower base and Accessories



Tools and Materials



Step 1- Tiling Flange

Place tiling Flange against tray wall edges, ensure that upstand has angled ribbed face against tray wall and is flush with top of tray edge and is correctly positioned at corner before marking off fixing holes.

Apply silicone sealant to tiling upstand before affixing to tray with No. 8 x 20mm ($\frac{3}{4}$ ") pan head self tapping screws.

Fit other tiling Flange in the same way, ensuring that it butts up to and is level with previously installed upstand at corner. Cavities caused by radius on tray edge and corner must be silicone sealed (See Fig. 1, Fig. 2 and Fig. 3)

Fig.1

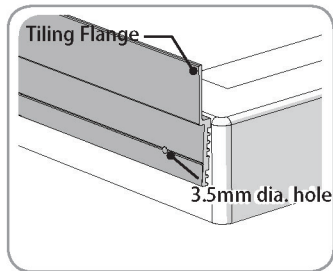


Fig. 2

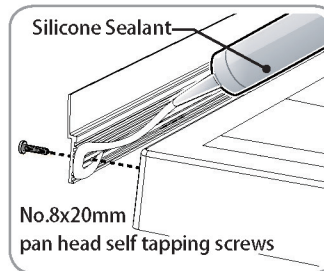
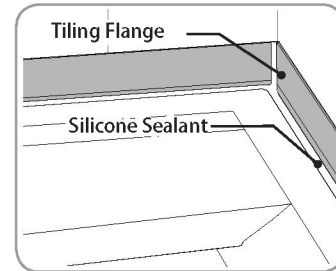
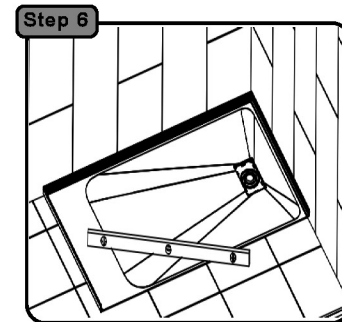
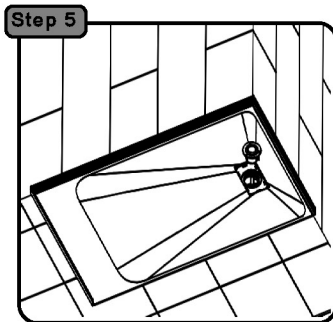
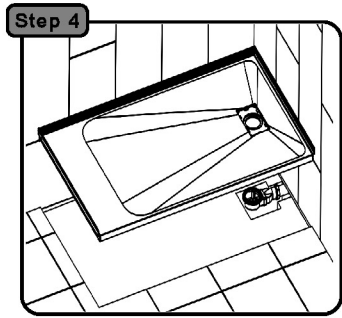
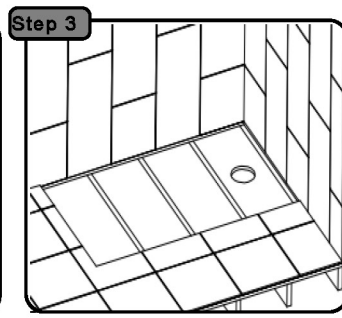
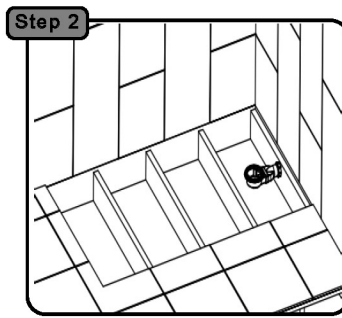
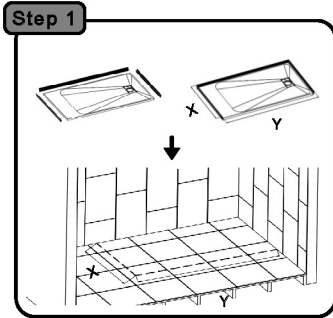


Fig.3

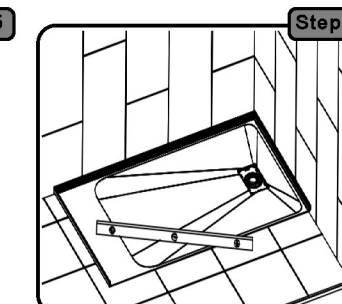
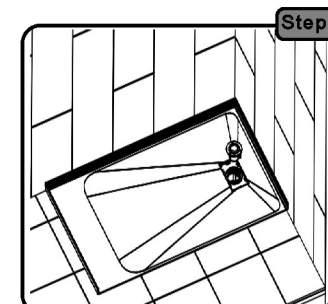
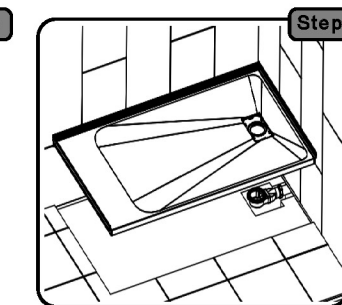
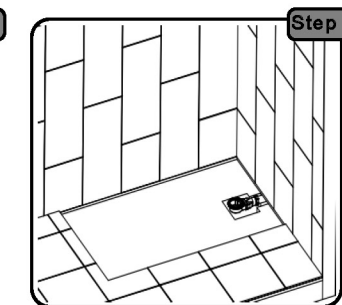
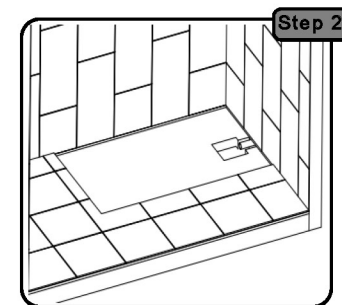
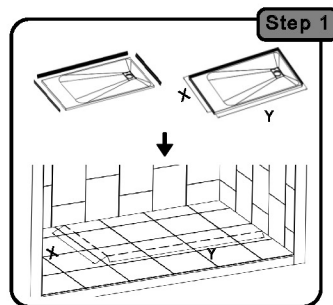


A-1 Installing into Wooden Floors



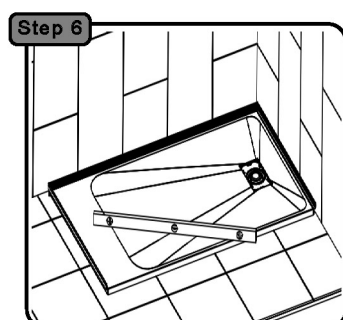
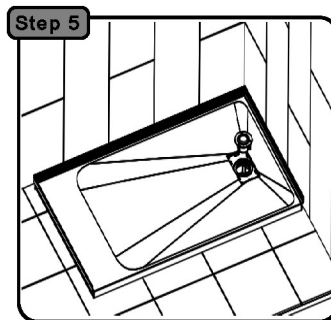
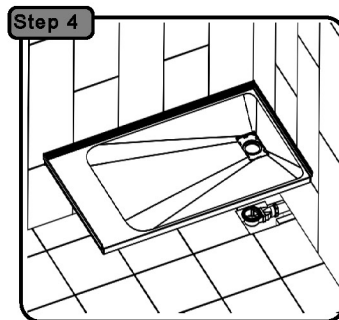
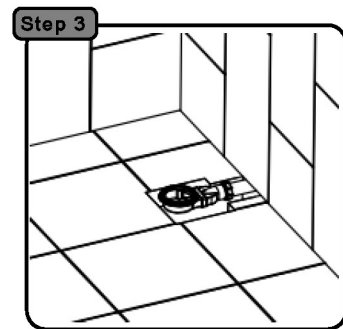
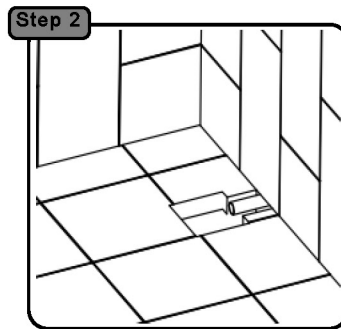
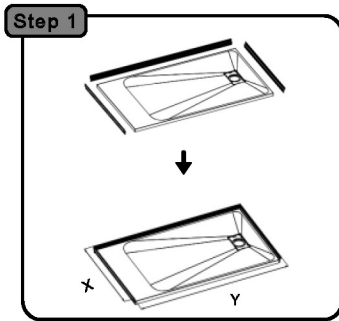
1. According to the size of the shower base, cut the aluminum alloy flange. Install the flange, join the surface with silicone sealant, and fasten it with screws. Measure the size of the shower base after installing the flange.
2. Reserve area for the shower base. Install the bottom of the drainer, conduct a sealing test to ensure no leakage and firm installation.
3. Lay the floor or add wood frame strips to strengthen the firmness. If to lay the floor, make sure the position reserved for the outlet being with a hole 120 or above.
4. Place the shower base.
5. Install the upper part of the drainer.
6. Use a level to measure & ensure horizontal placement. Perform drainage test. Make sure the sewage pipe is unblocked and no pooling water on the surface. Please do not use the shower base before the silicone dried.

A-2 Installing into Tile Floors



1. According to the size of the shower base, cut the aluminum alloy flange. Install the flange, join the surface with silicone sealant, and fasten it with screws. Measure the size of the shower base after installing the flange.
2. Measure and reserve the position of the drain.
3. Install the bottom of the drainer, conduct a sealing test to ensure no leakage and firm installation.
4. Place the shower base.
5. Install the upper part of the drainer.
6. Use a level to measure & ensure horizontal placement. Perform drainage test. Make sure the sewage pipe is unblocked and no pooling water on the surface. Please do not use the shower base before the silicone dried.

B Installing onto Concrete or Wooden Flooring



1. According to the size of the shower base, cut the aluminum alloy flange. Install the flange, join the surface with silicone sealant, and fasten it with screws. Measure the size of the shower base after installing the flange.
2. Measure and reserve the position of the drain.
3. Install the bottom of the drainer, conduct a sealing test to ensure no leakage and firm installation.
4. Place the shower base.
5. Install the upper part of the drainer.
6. Use a level to measure & ensure horizontal placement. Perform drainage test. Make sure the sewage pipe is unblocked and no pooling water on the surface. Please do not use the shower base before the silicone dried.

Email: After-sale-service-QA@outlook.com

Tel: (1) 844-465-0168



Allow the shower base to cure for 24 hours before working in the area.