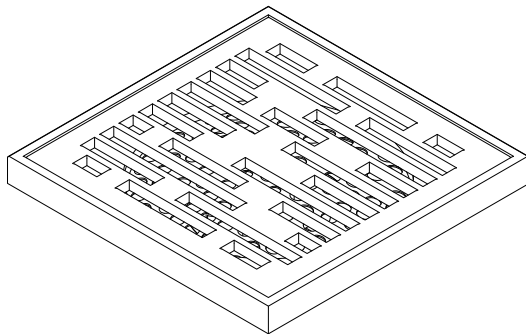
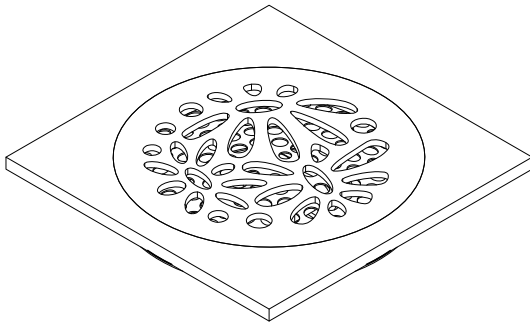


KINGSTON

KITCHEN & BATH

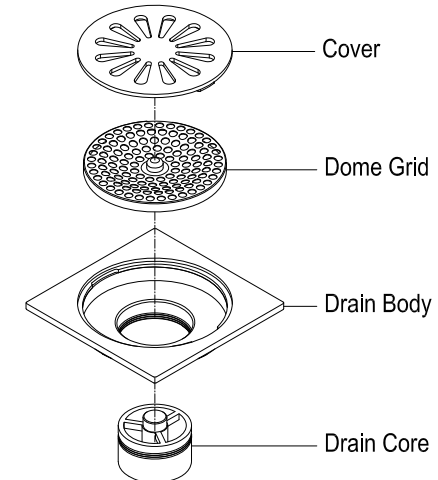
Floor Drain Installation



www.kingstonbrass.com
TOLL-FREE CUSTOMER SERVICE: 1-877-2-KBRASS
TECHNICAL SUPPORT E-mail: service@kingstonbrass.com
12775 Reservoir Street, Chino, CA 91710

Installation Steps:

- Step 1. Remove the cover, dome grid and drain core from the drain body
- Step 2. Apply adhesive around the underside of the flange on the drain body, drain surface should be lower than the finished floor.
- Step 3. Insert drain core, dome grid and cover into drain body.
- Step 4. Remove any excess cement or sealant.



Installation Attention:

- Inquire for agent if there is any installing question.
- Make sure there is at least 3/8" (10mm) working space from the bottom of drain core to prevent inactive drain function. (Please see Fig.1)

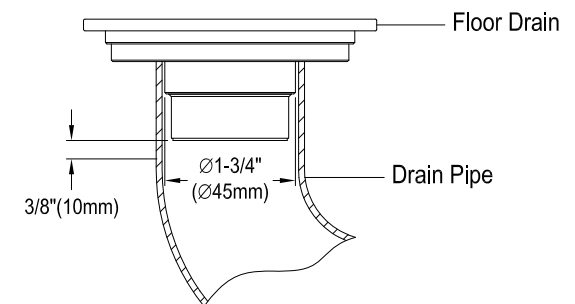


Fig. 1

Care and Maintenance:

- Periodically this drain will need to be clean.
- Remove cover, dome grid and drain core, remove any debris present, rinse and re-install.