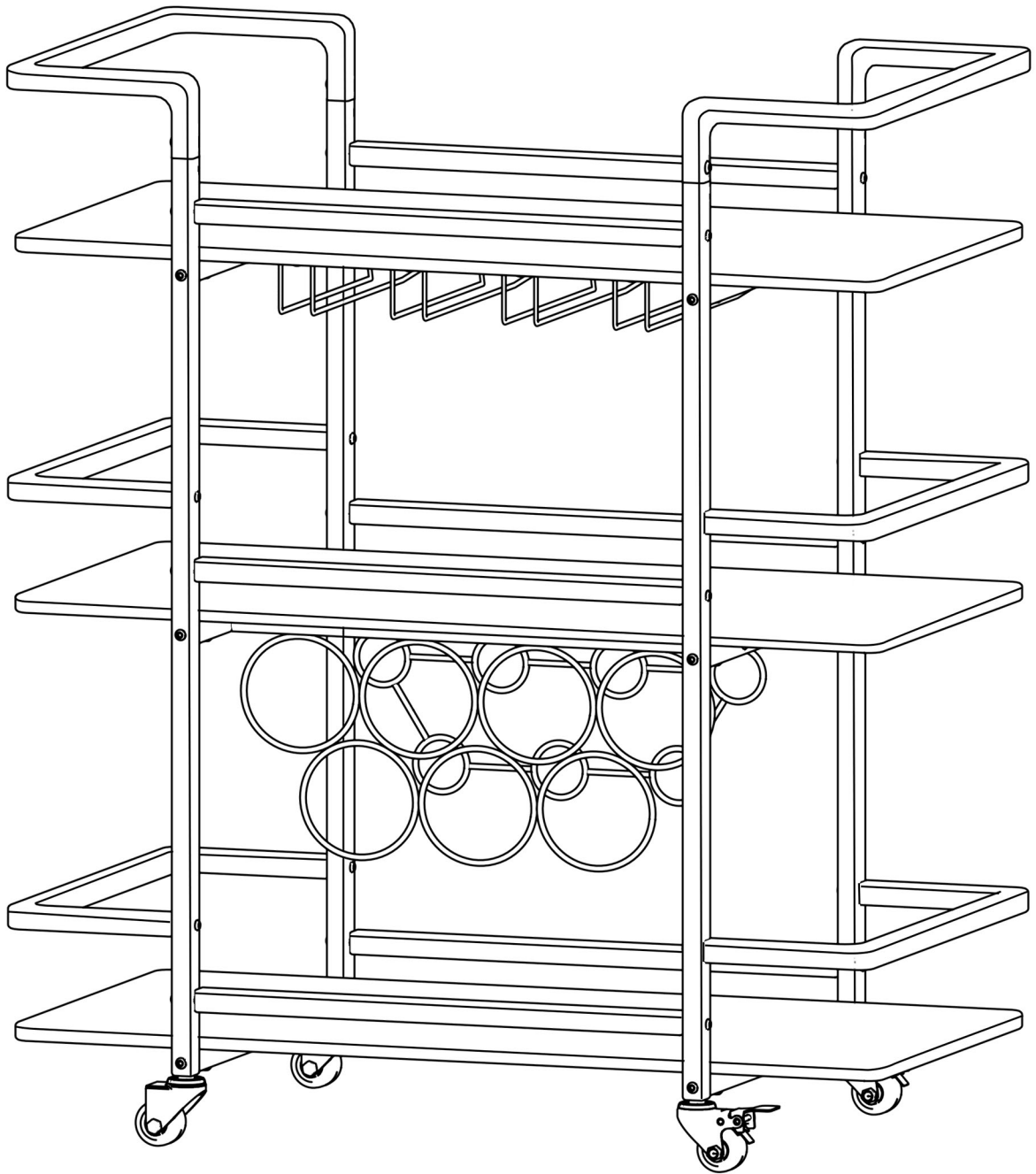


3-Tier Bar Cart

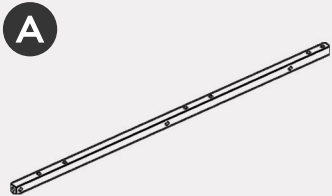
Assembly Instruction



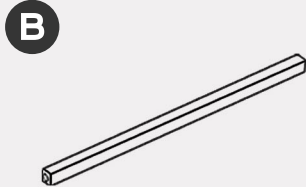
Important Assembly Advice

1. In order to avoid the situation that some parts cannot be installed, please make sure to follow the correct installation order.
2. Parts of assembly will be MUCH EASIER with 2 people.
3. Please make sure the spare parts are complete before installation. If there are any missing parts, please contact us.
4. You can also refer to the installation video on the product page for guidance.

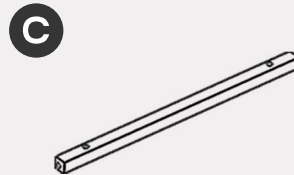
Components



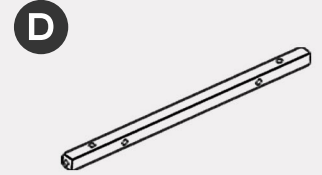
x 4



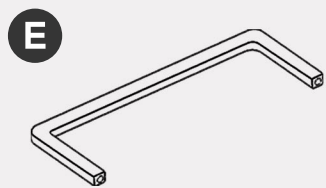
x 6



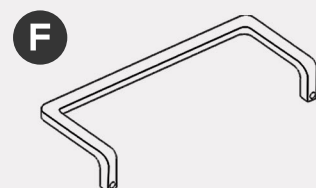
x 4



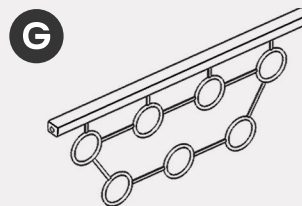
x 2



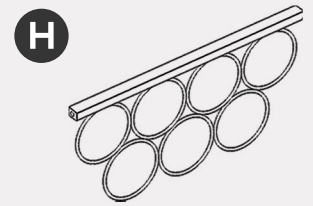
x 4



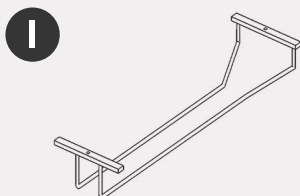
x 2



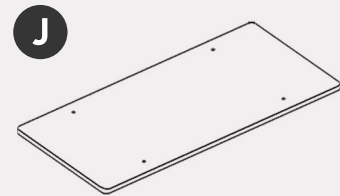
x 1



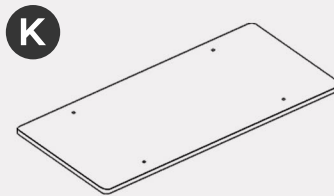
x 1



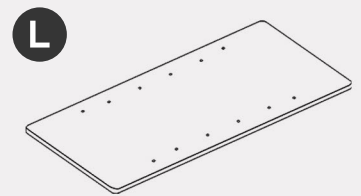
x 4



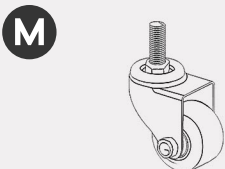
x 1



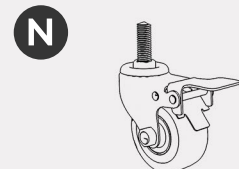
x 1



x 1



x 2



x 2



M6x10mm Screw
x 12



M6x25mm Screw
x 48



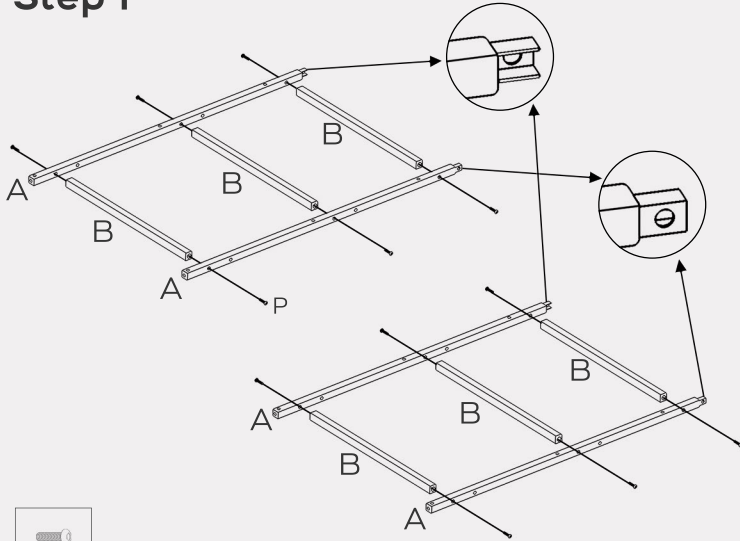
Allen wrench x 1



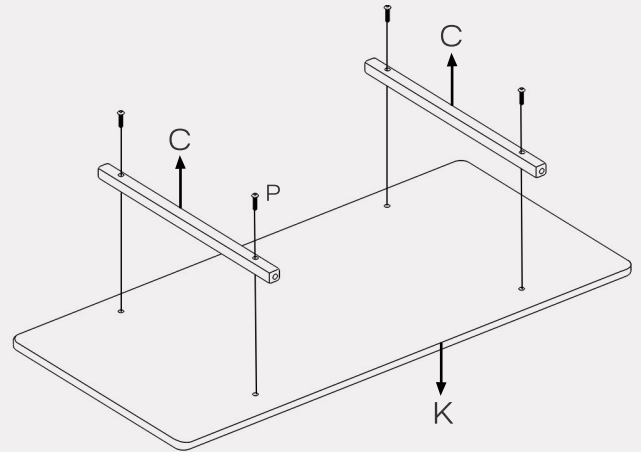
Wrench x 1

Assembly Instructions

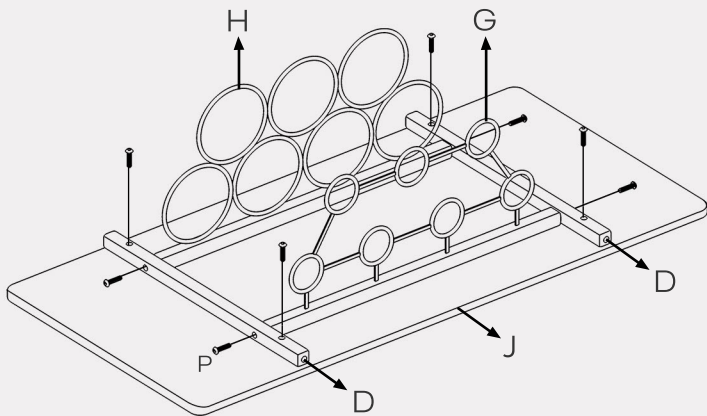
Step 1



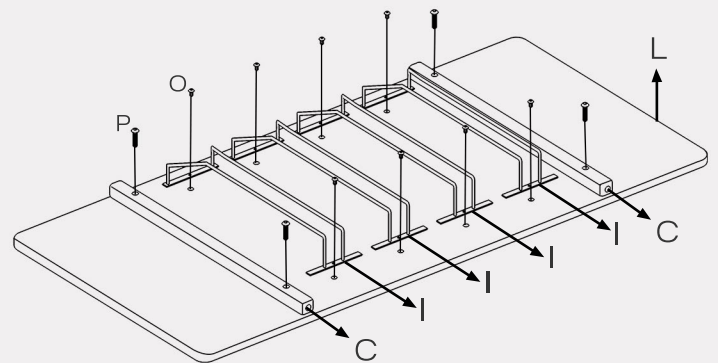
Step 2



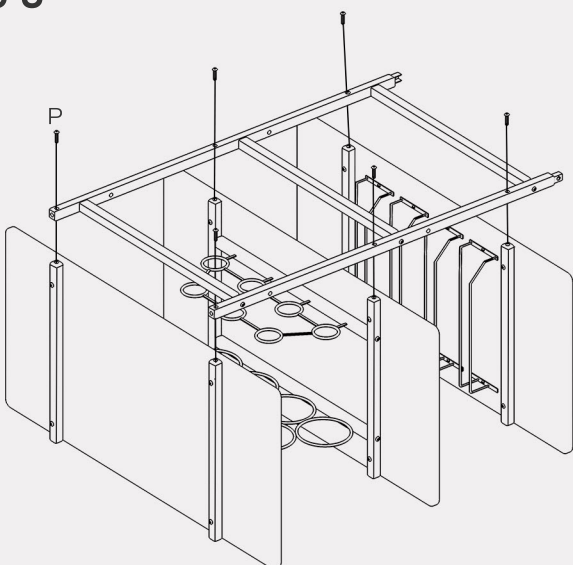
Step 3



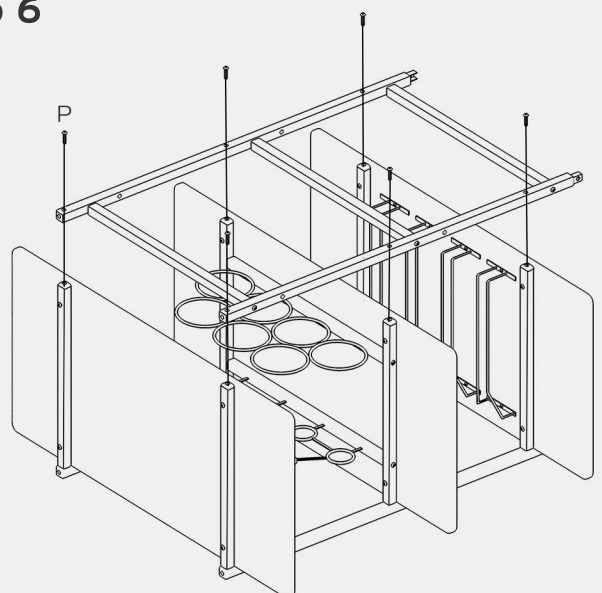
Step 4



Step 5

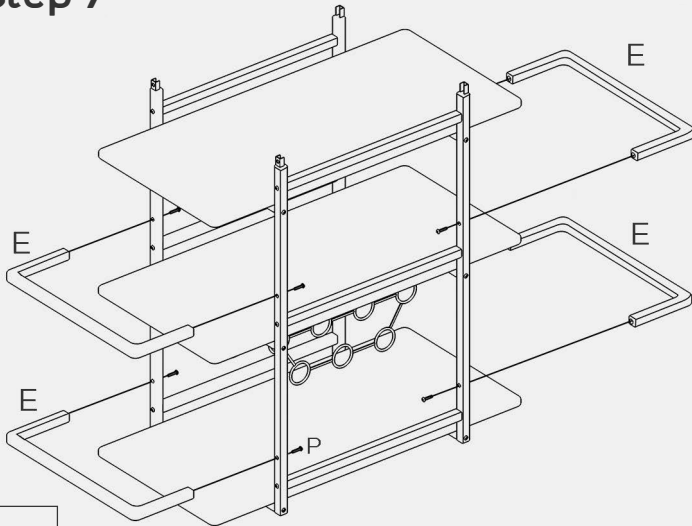


Step 6

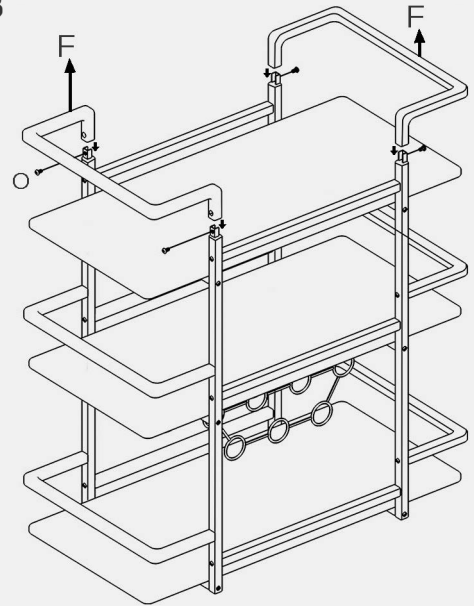


Assembly Instructions

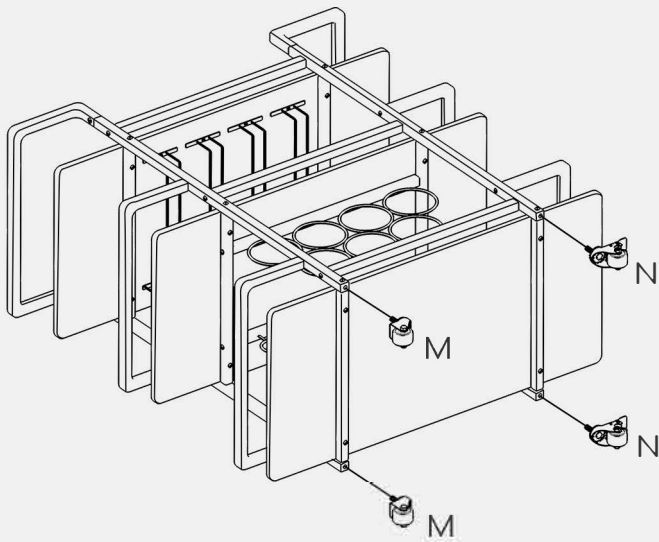
Step 7



Step 8



Step 9



Step 10

