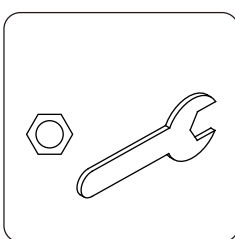
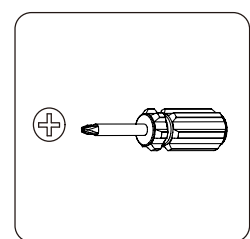
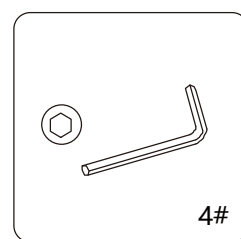
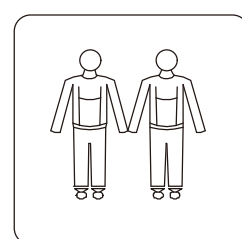


CORNER TABLE

User Manual



Warning : Please read this instruction manual carefully before using the product.

version: 1.0

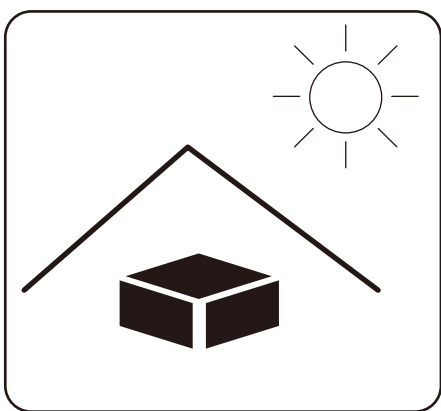
Package Contents

Plates and iron components

Assembly tool kit

Instruction manual

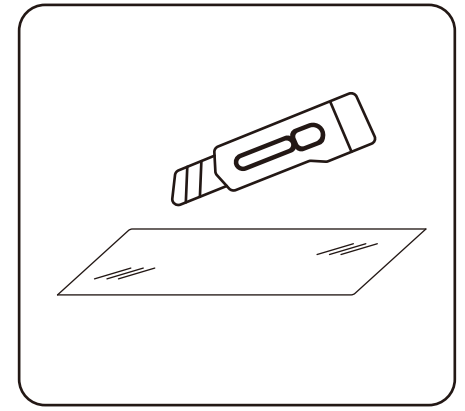
Precautions



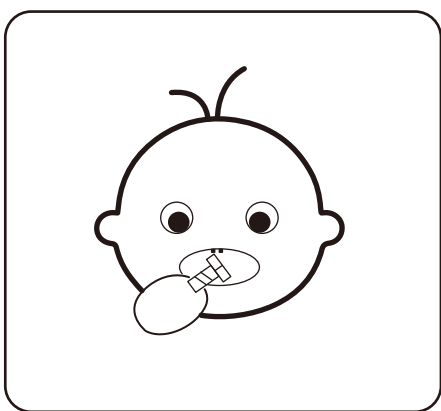
1. Avoid long-term direct sunlight exposure



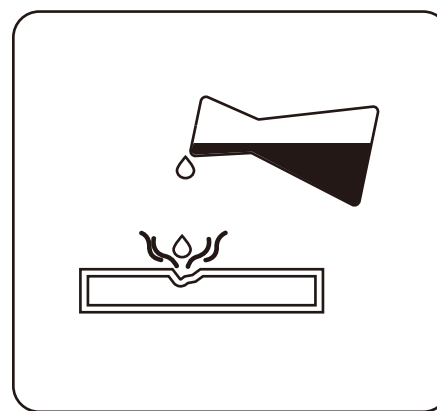
2. Stay away from fire



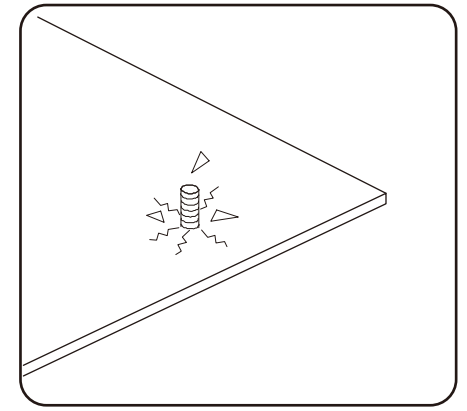
3. Keep away from sharp objects



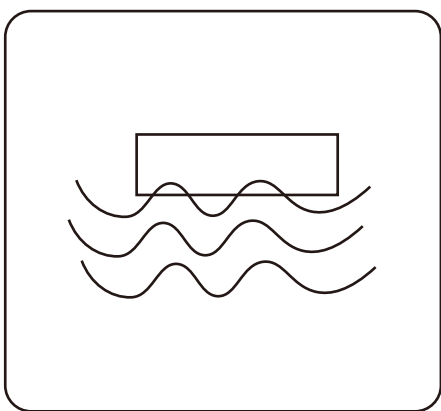
4. Keep infants/children away from assembly parts to avoid choking and suffocation.



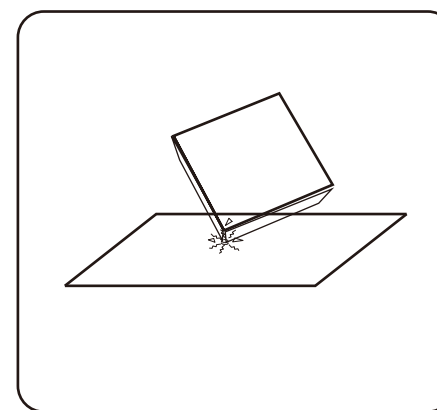
5. Keep away from corrosive substances



6. Pay attention to avoid over-tightening fasteners, or they may induce cracking within the board.



7. Prevent objects from being damaged by immersion in water

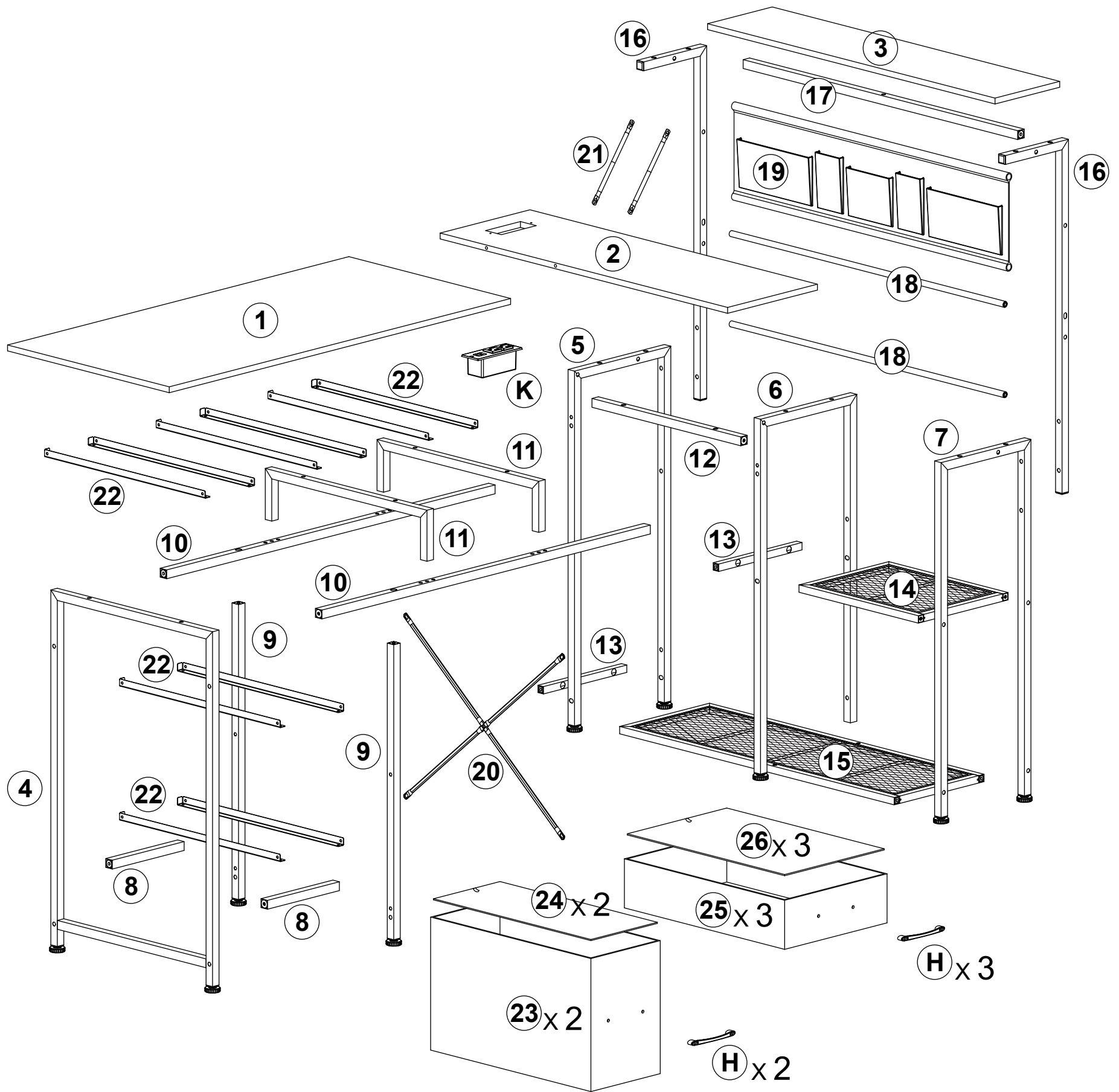


8. Prevent object collision and damage

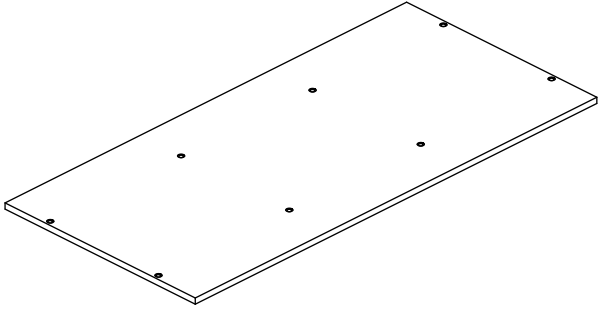
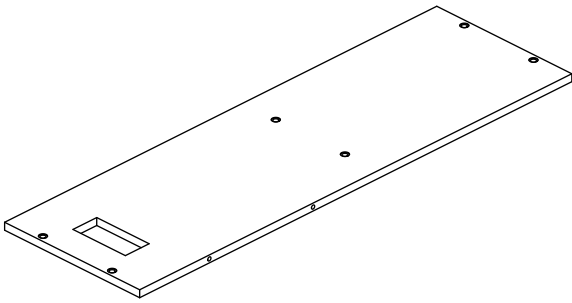
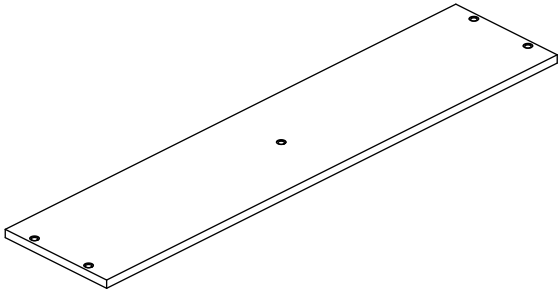
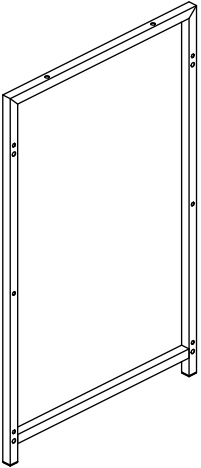
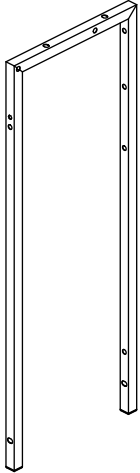
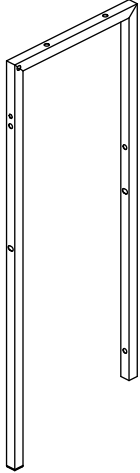
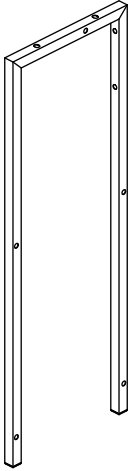
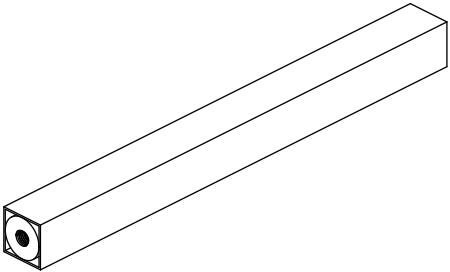

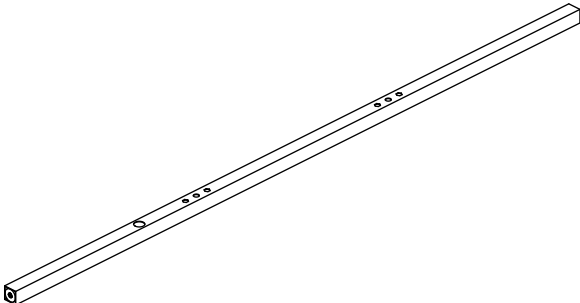
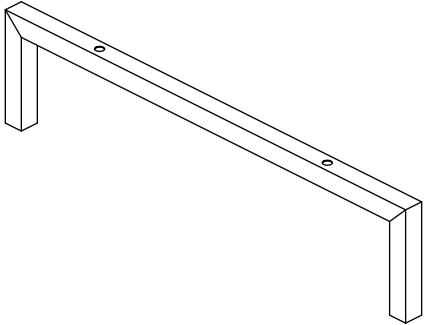
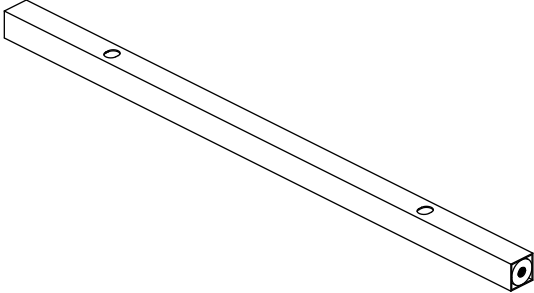
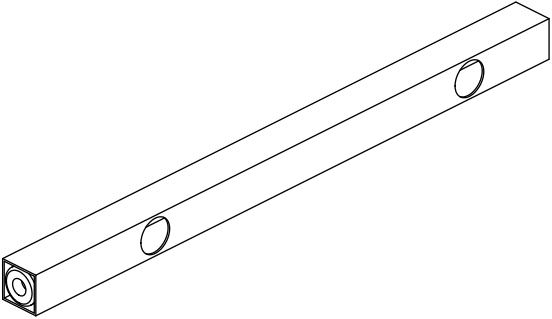
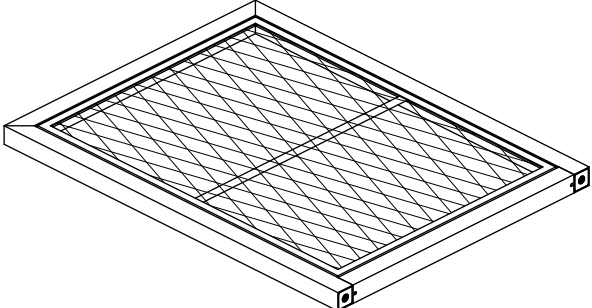
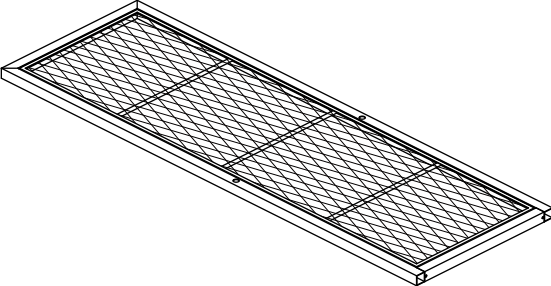


9. Be careful to avoid collisions

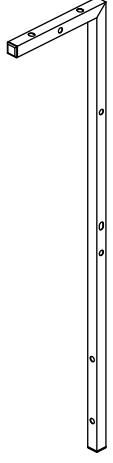
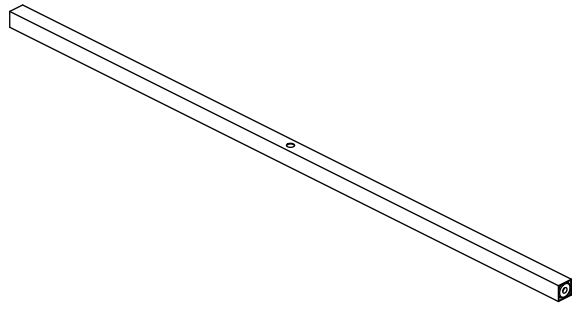
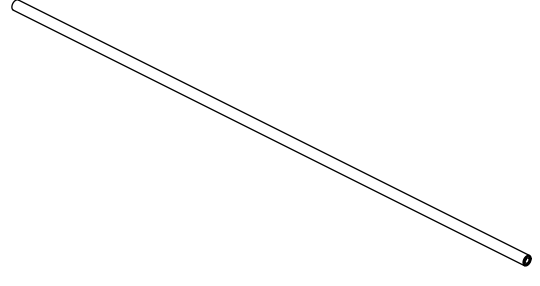
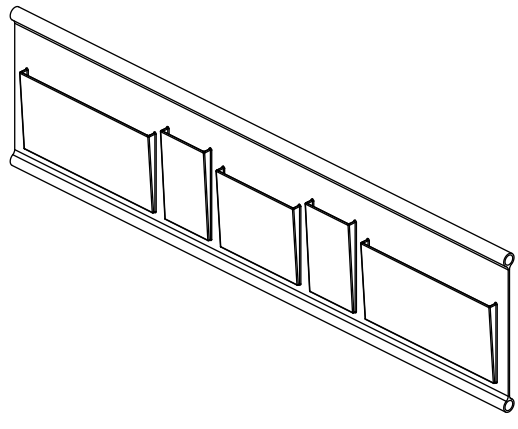
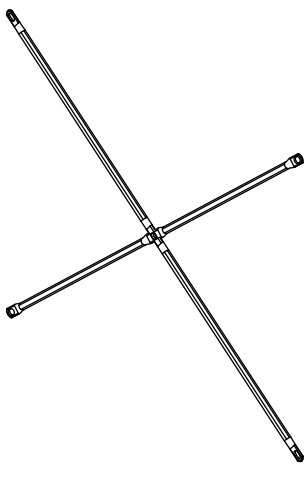
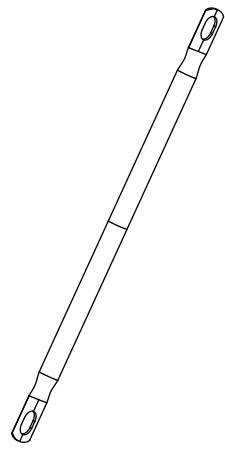
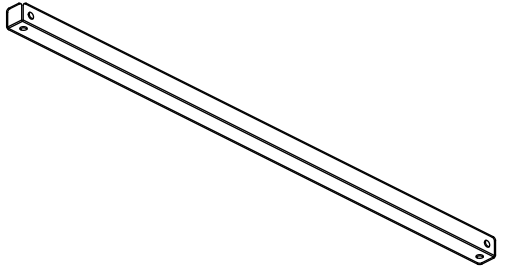
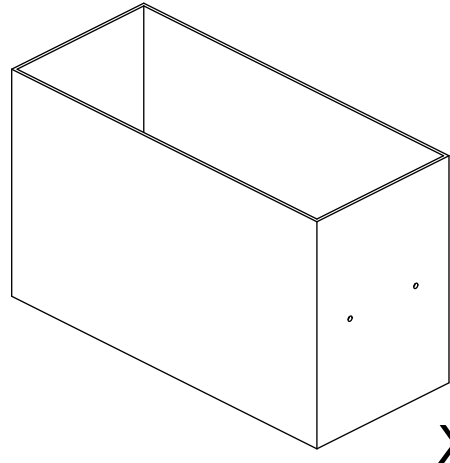
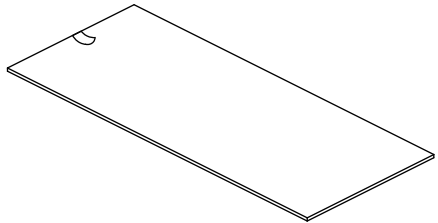
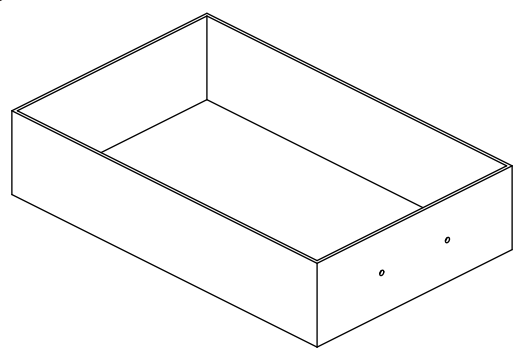
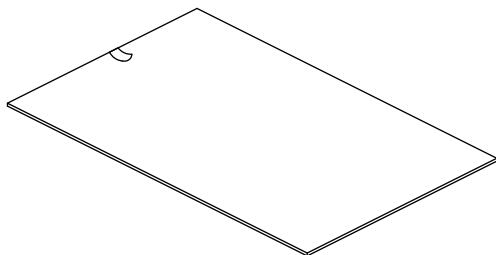
Disassembly Diagram



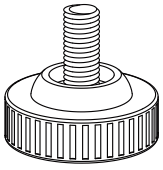
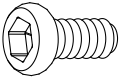
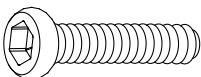
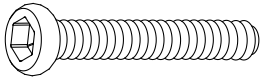
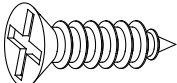
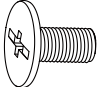
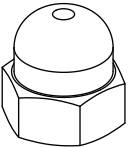

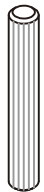
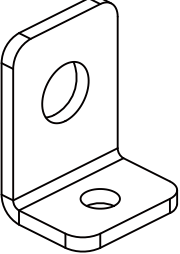
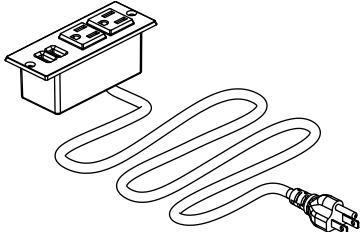
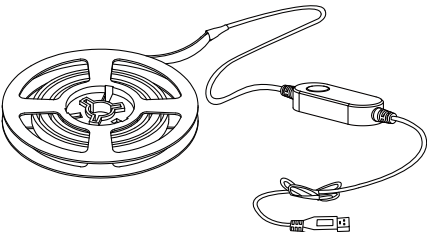
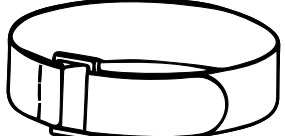
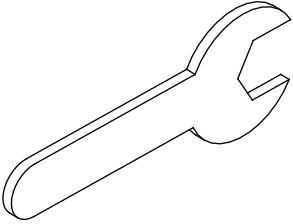

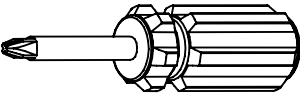
Parts List

<p>1</p> 	<p>2</p> 	<p>3</p> 
<p>4</p> 	<p>5</p> 	<p>6</p> 
<p>7</p> 	<p>8</p>  <p>x 2</p>	<p>9</p>  <p>x 2</p>
<p>10</p>  <p>x 2</p>	<p>11</p>  <p>x 2</p>	<p>12</p> 
<p>13</p>  <p>x 2</p>	<p>14</p> 	<p>15</p> 

Parts List

<p>16</p>  <p>x 2</p>	<p>17</p>  <p>x 2</p>	<p>18</p>  <p>x 2</p>
<p>19</p>  <p>x 10</p>	<p>20</p>  <p>x 2</p>	<p>21</p>  <p>x 2</p>
<p>22</p>  <p>x 10</p>	<p>23</p>  <p>x 2</p>	<p>24</p>  <p>x 2</p>
<p>25</p>  <p>x 3</p>	<p>26</p>  <p>x 3</p>	

Tool sheet

<p>A M6</p>  <p>X9+1</p>	<p>B M6x10MM</p>  <p>X1+1</p>	<p>C M6x25MM</p>  <p>X63+6</p>	<p>D M6x40MM</p>  <p>X4+1</p>
<p>E ST4x10MM</p>  <p>X2+1</p>	<p>F M4x8MM</p>  <p>X30+4</p>	<p>G M6</p>  <p>X12+2</p>	<p>H</p>  <p>X5</p>
<p>I Ø6x40MM</p>  <p>X2+1</p>	<p>J</p>  <p>X1</p>	<p>K</p>  <p>X1</p>	<p>L</p>  <p>X1</p>
<p>M</p>  <p>X2</p>	<p>N</p>  <p>X1</p>	<p>O M4</p>  <p>X1+1</p>	<p>P</p>  <p>X1</p>

ASSEMBLY INSTRUCTION

! Attention: The shelves can be installed on either side, you can choose one instruction as you prefer.

1L-24L:Drawer on the left side.

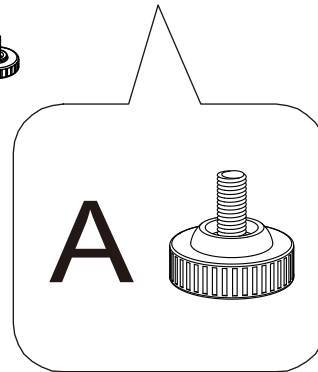
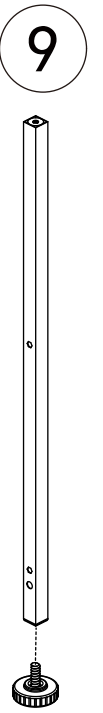
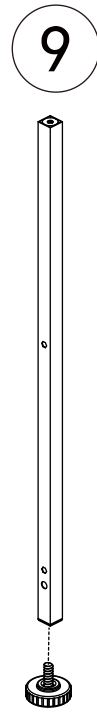
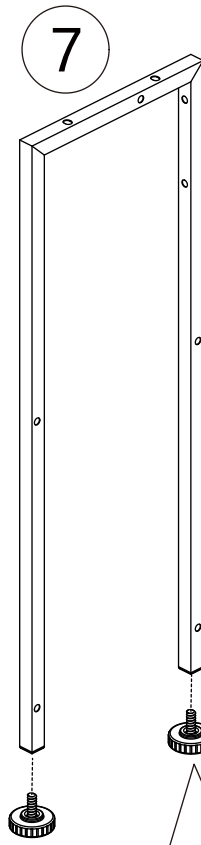
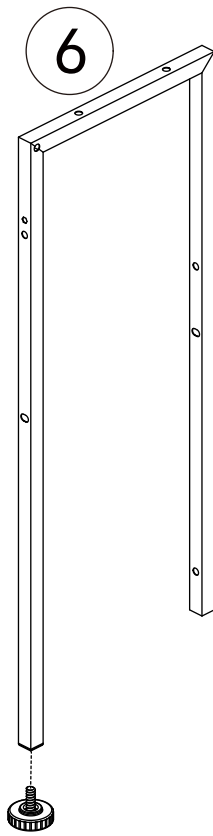
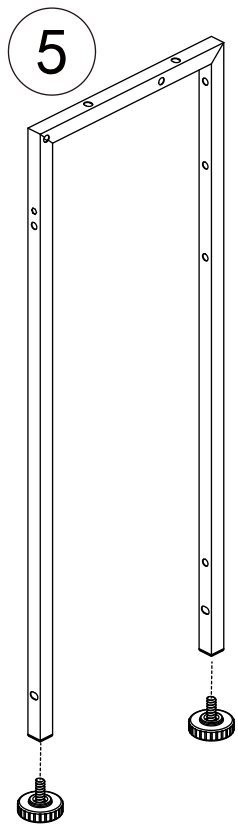
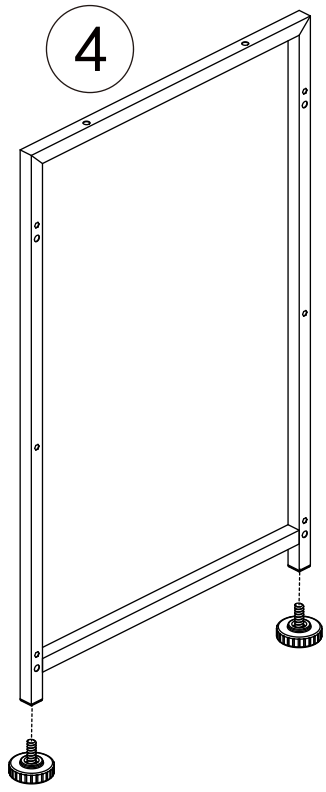


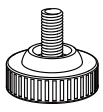
1R-24R:Drawer on the right side.



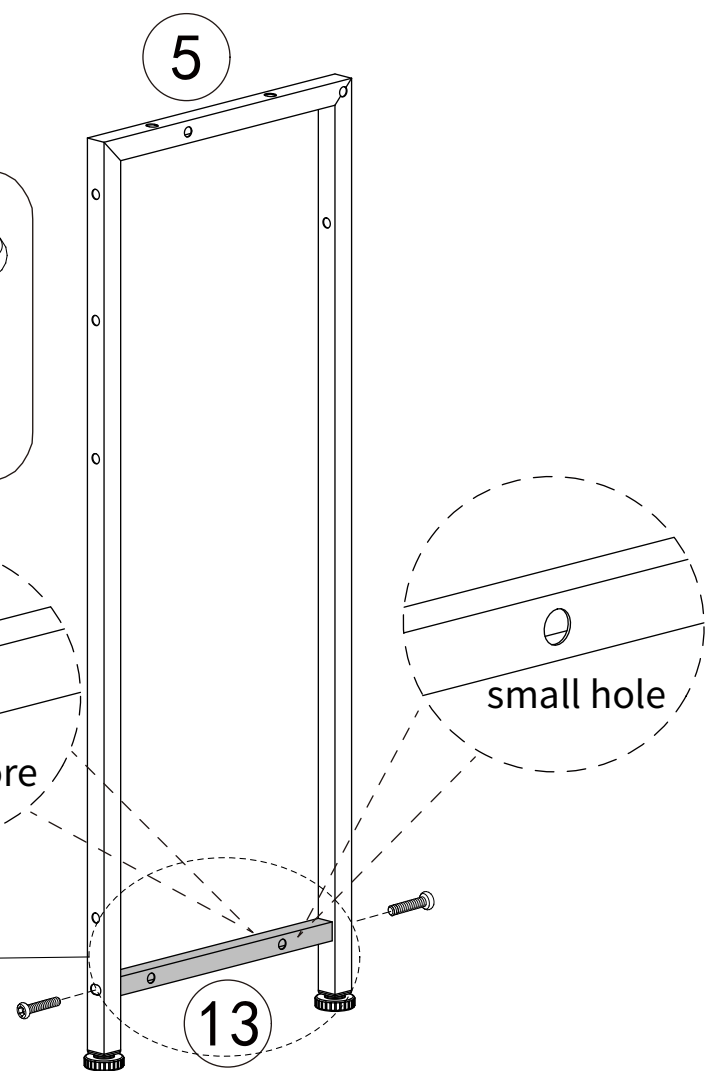
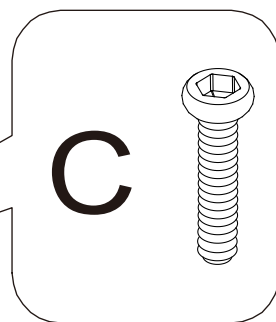
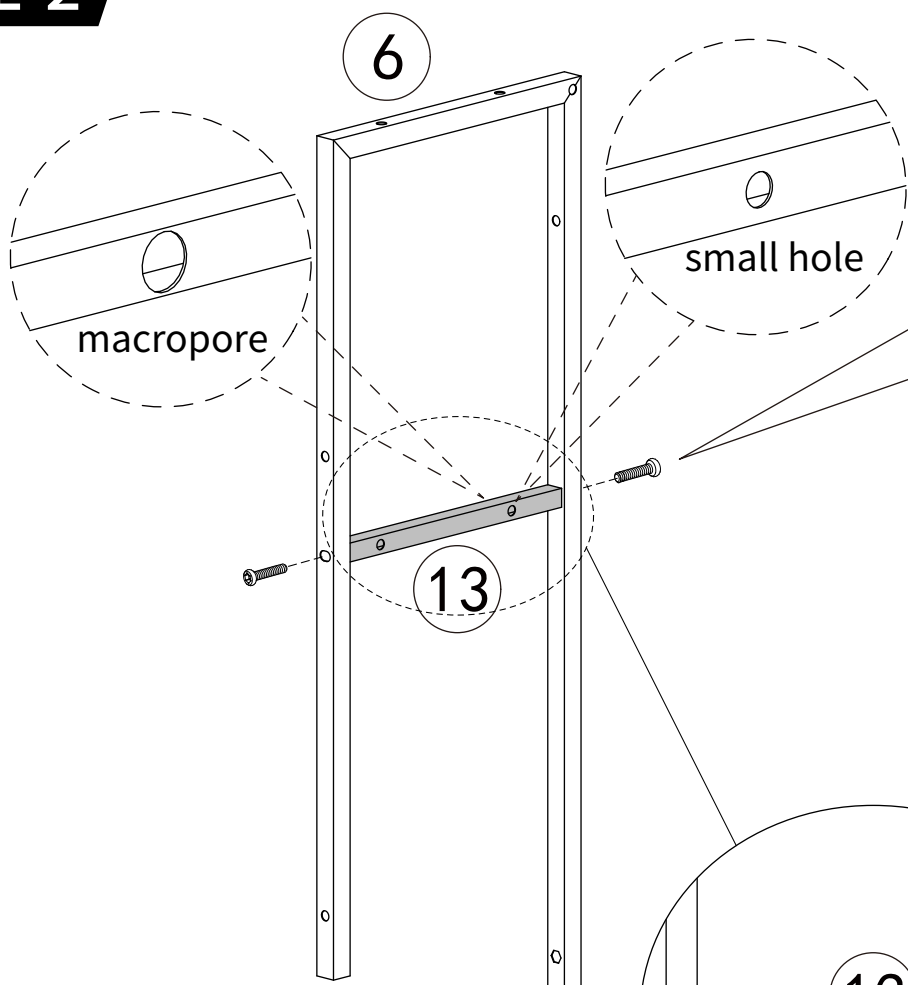
ASSEMBLY INSTRUCTION

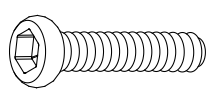
L-1



A	x9
	
M6	

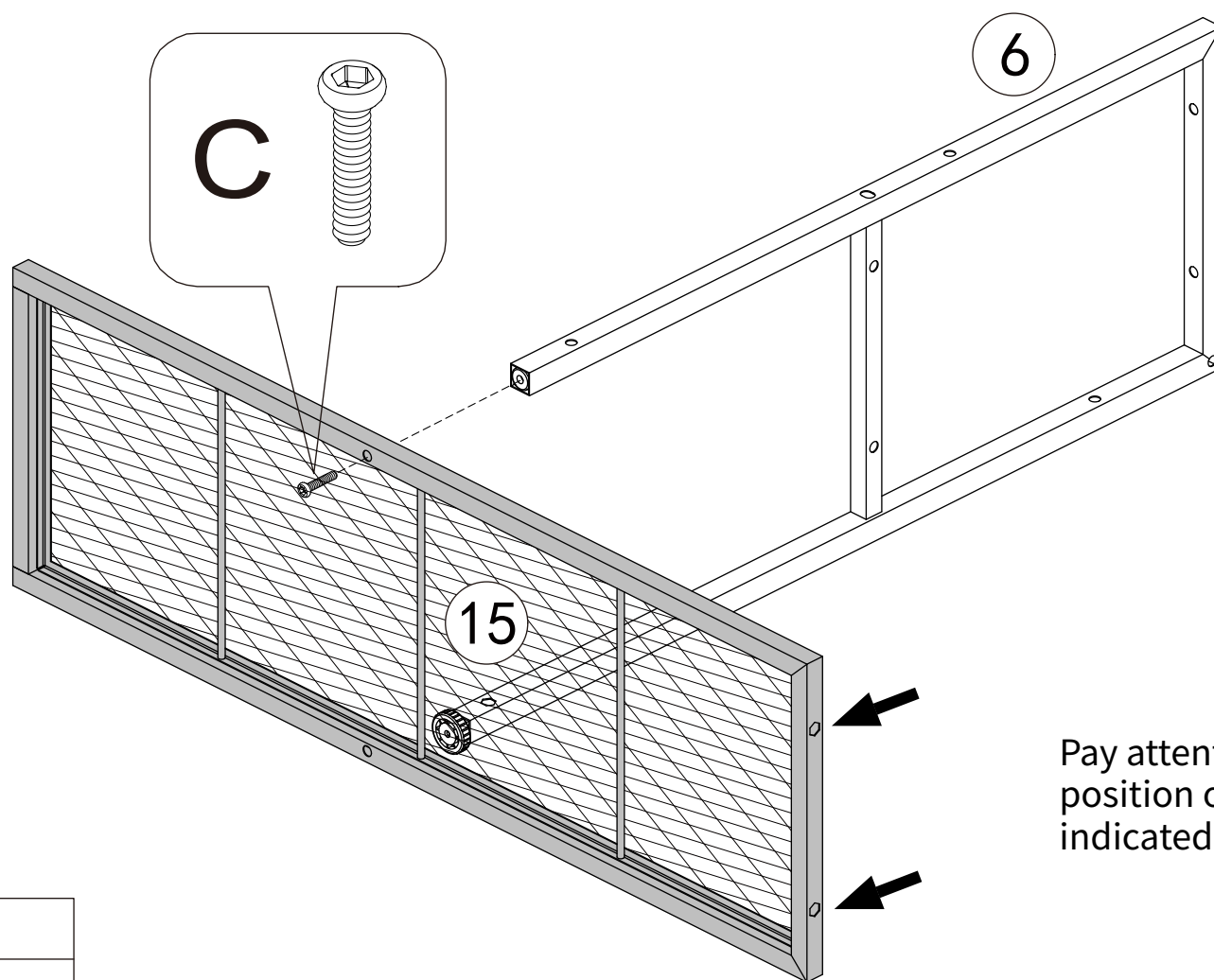
L-2



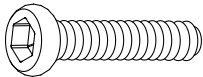
C	x4
	
M6x25MM	

ASSEMBLY INSTRUCTION

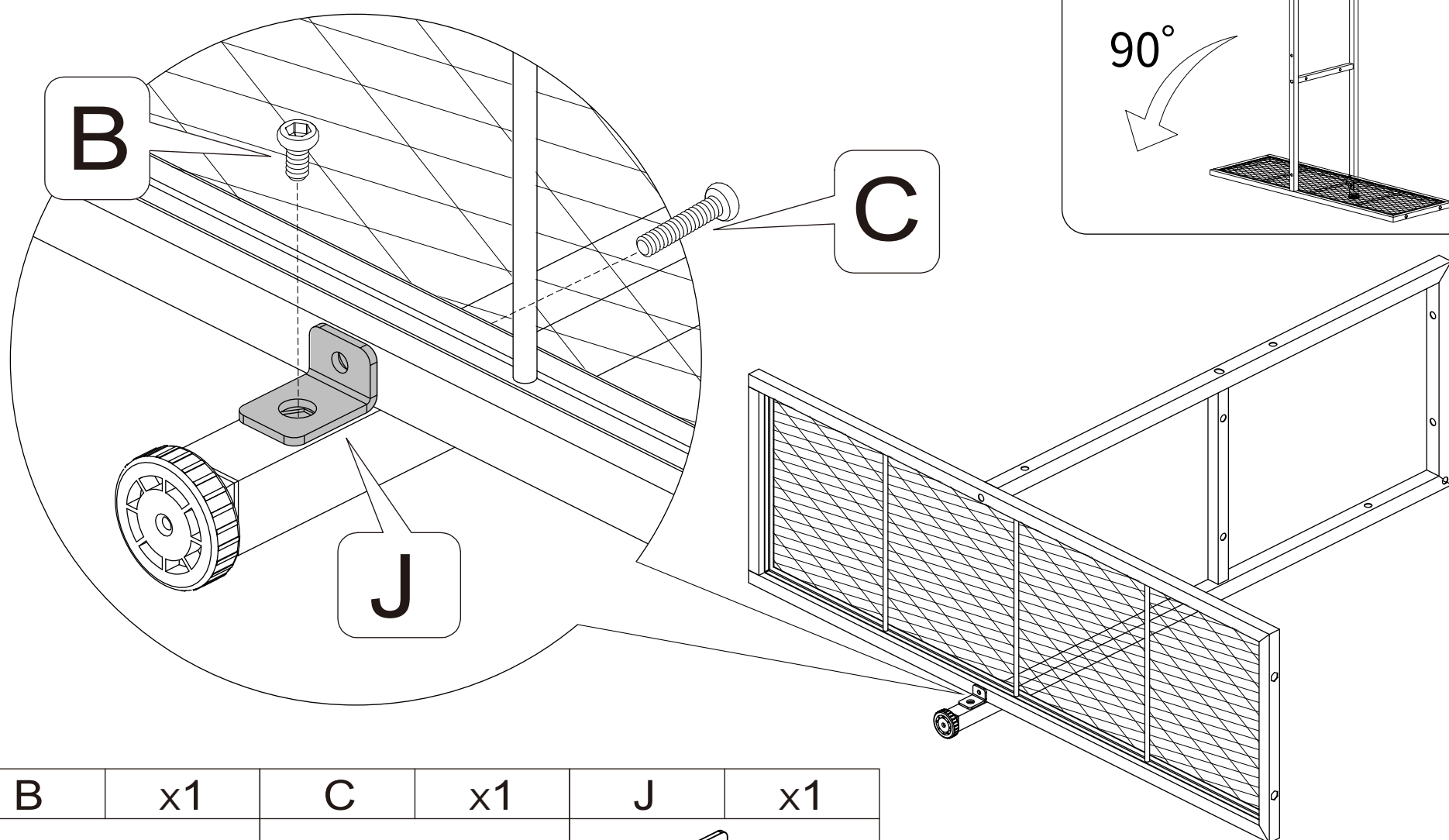
L-3



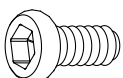
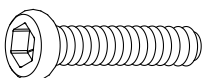
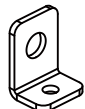
Pay attention to the position of the hole indicated by the arrow

C	x1
	
M6x25MM	

L-4

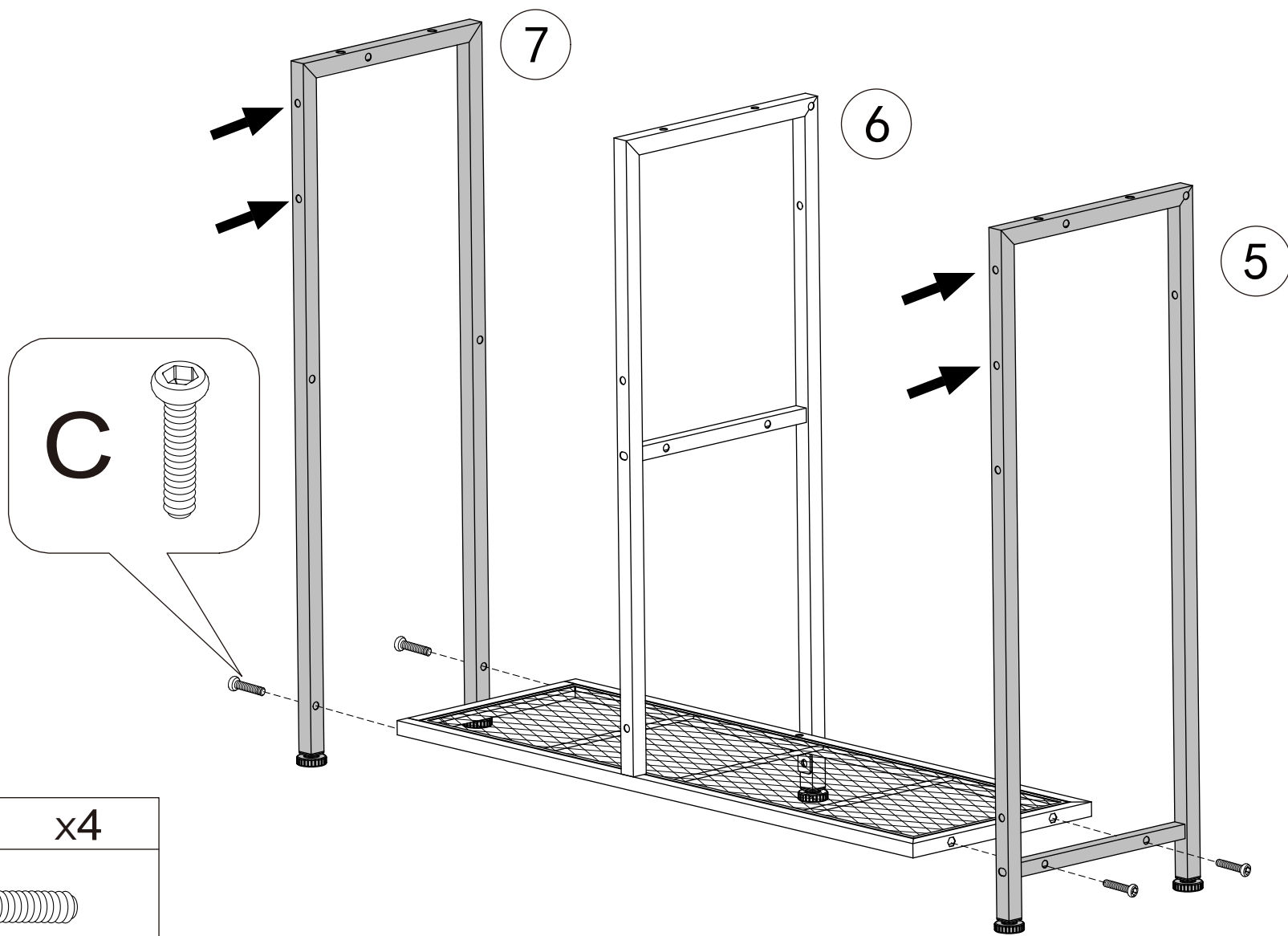


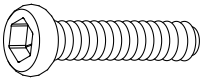
90°

B	x1	C	x1	J	x1
					
M6x10MM		M6x25MM			

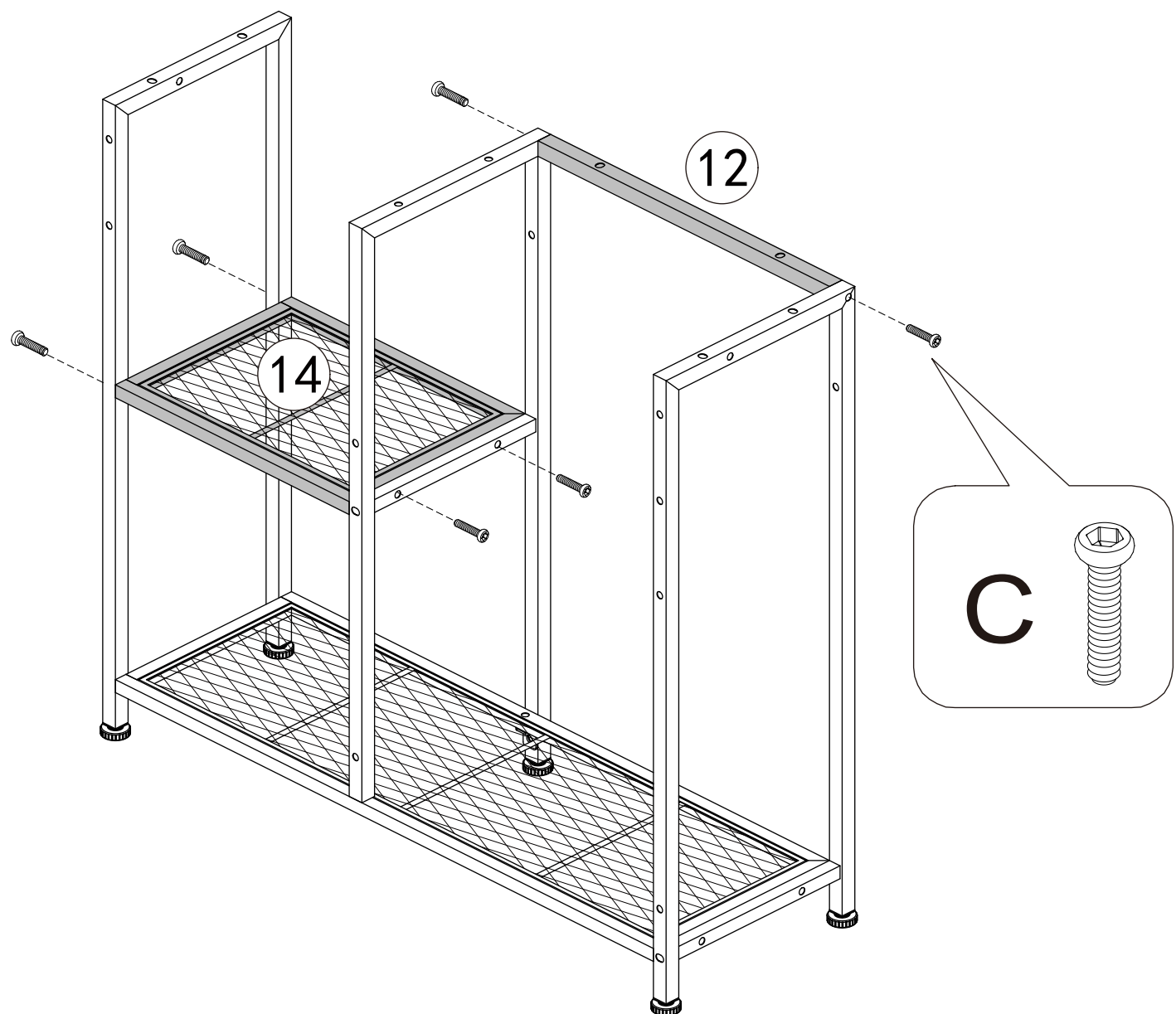
ASSEMBLY INSTRUCTION

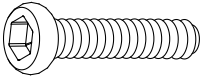
L-5



C	x4
	
M6x25MM	

L-6

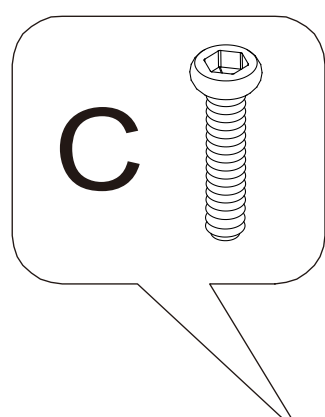


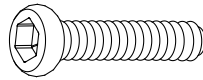
C	x6
	
M6x25MM	

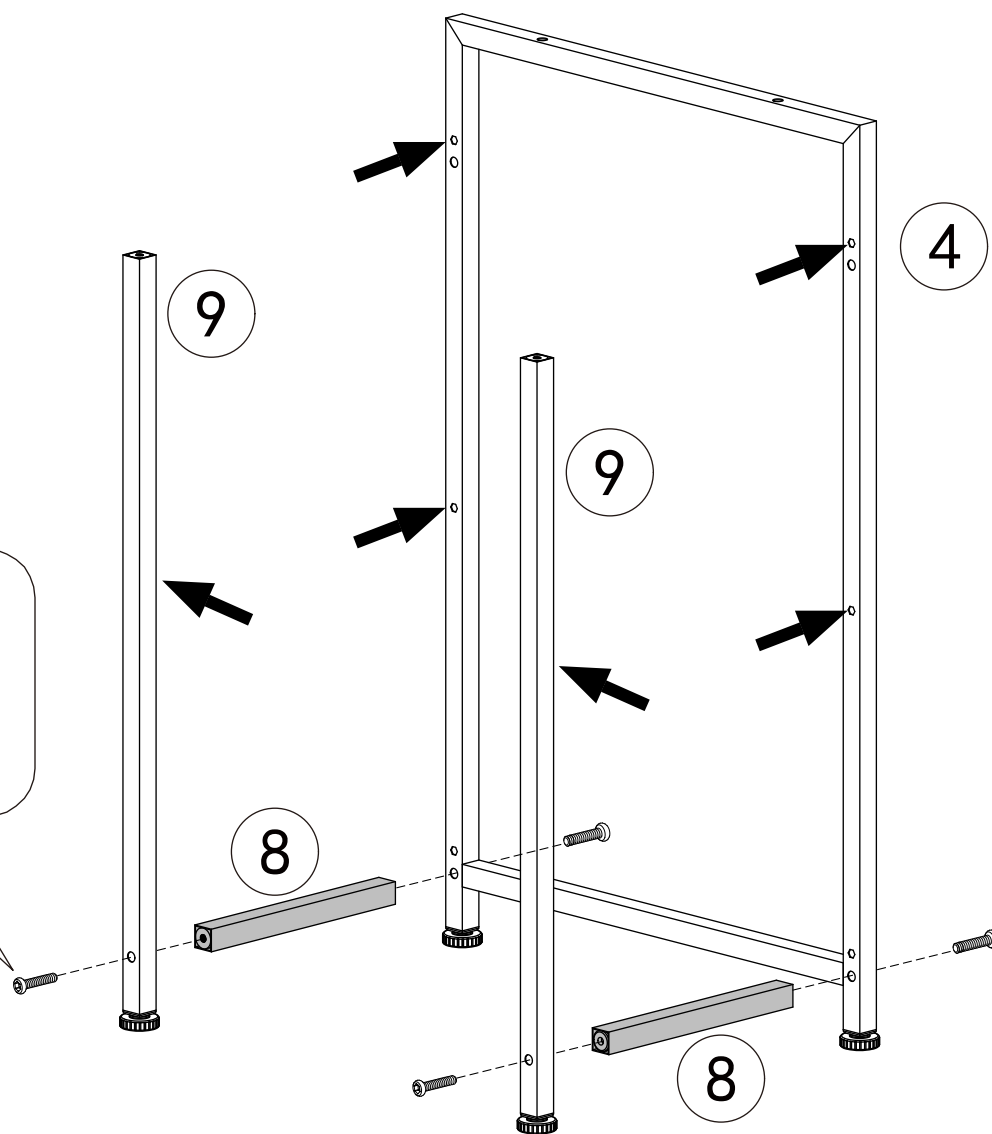
ASSEMBLY INSTRUCTION

L-7

Pay attention to the position of the hole indicated by the arrow

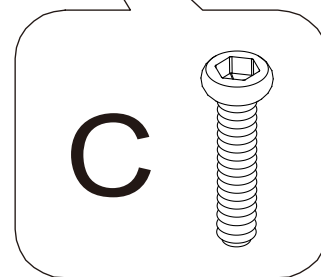


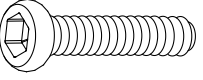
C	x4
	
M6x25MM	

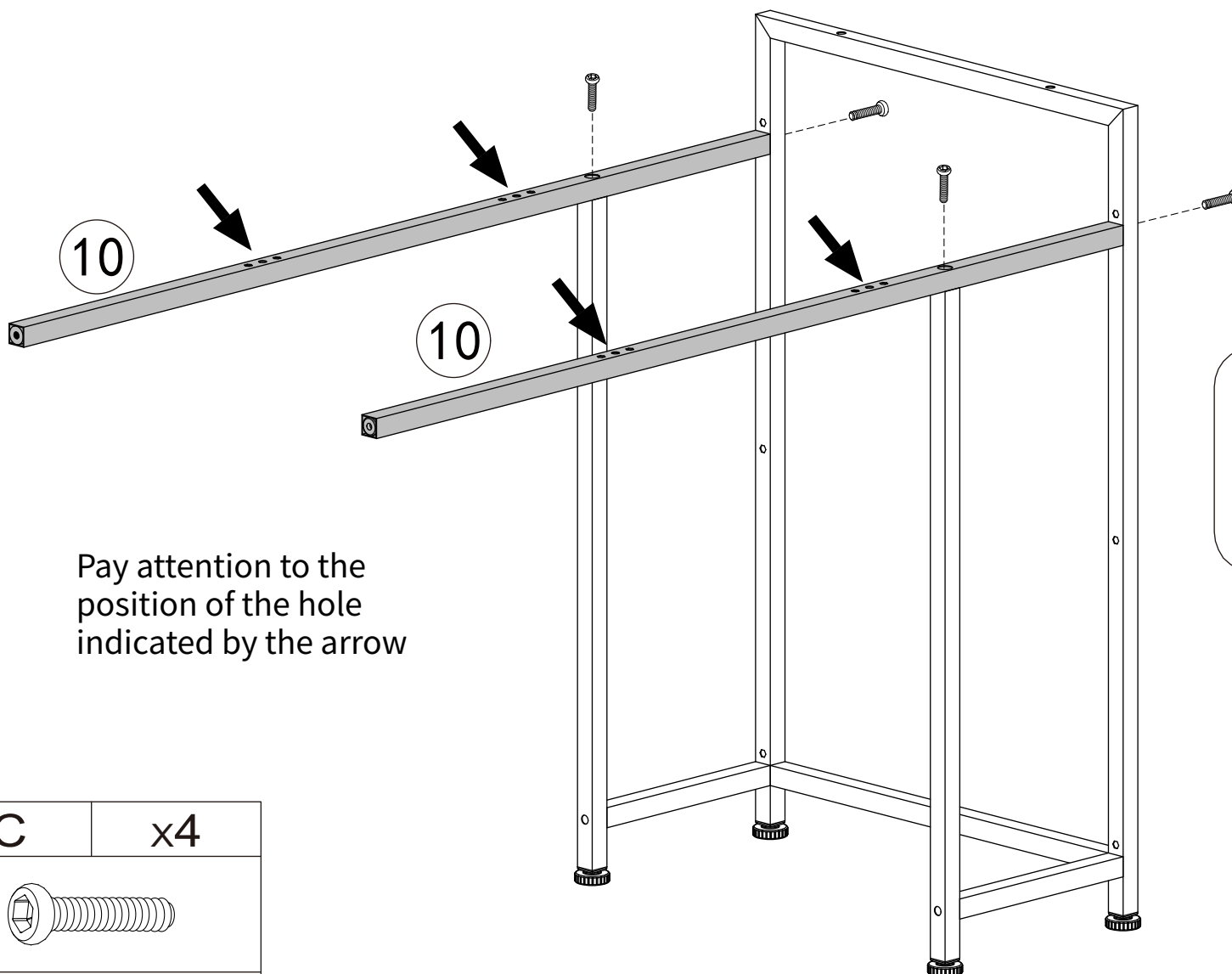


L-8

Pay attention to the position of the hole indicated by the arrow

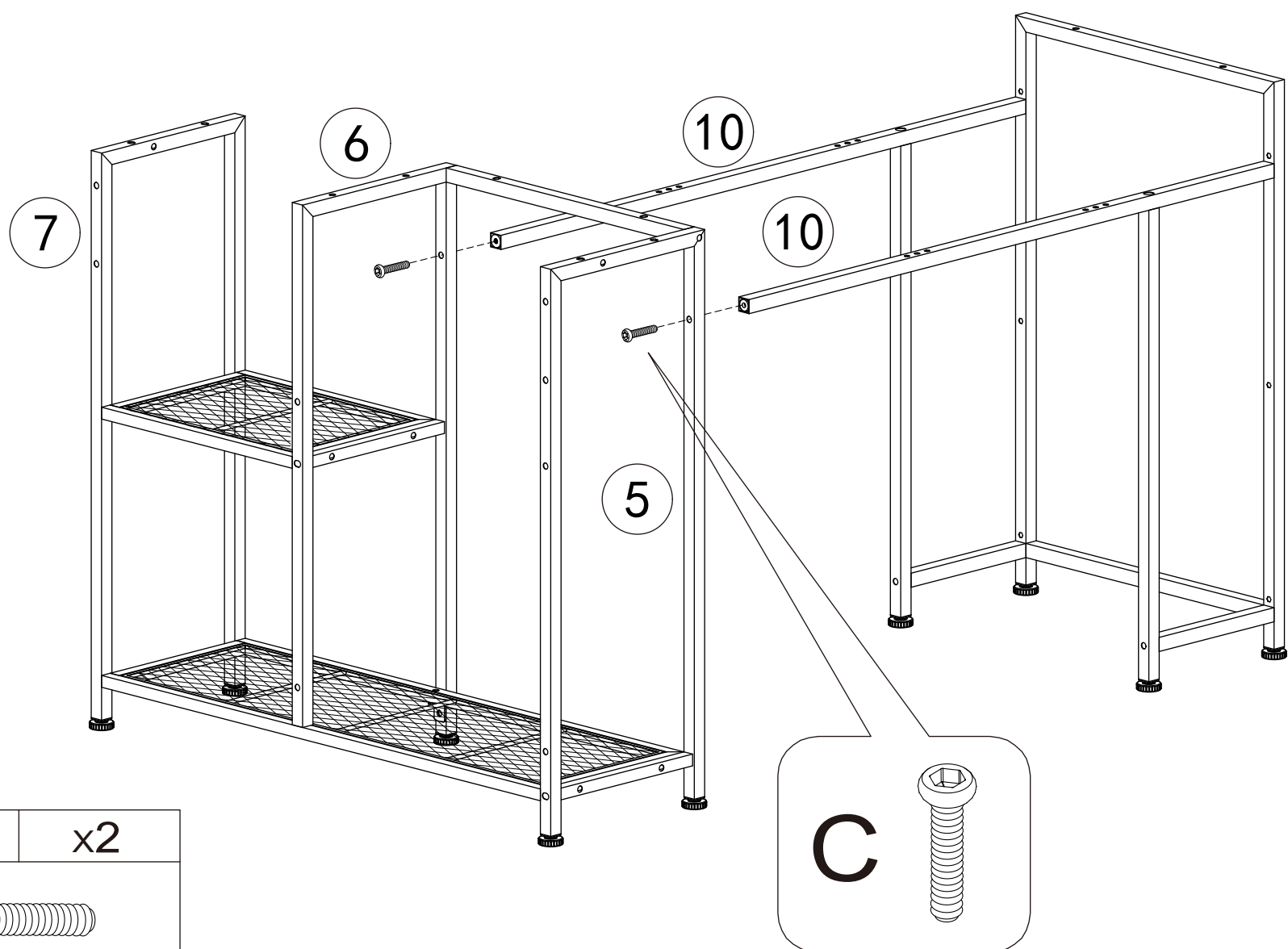


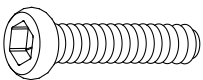
C	x4
	
M6x25MM	



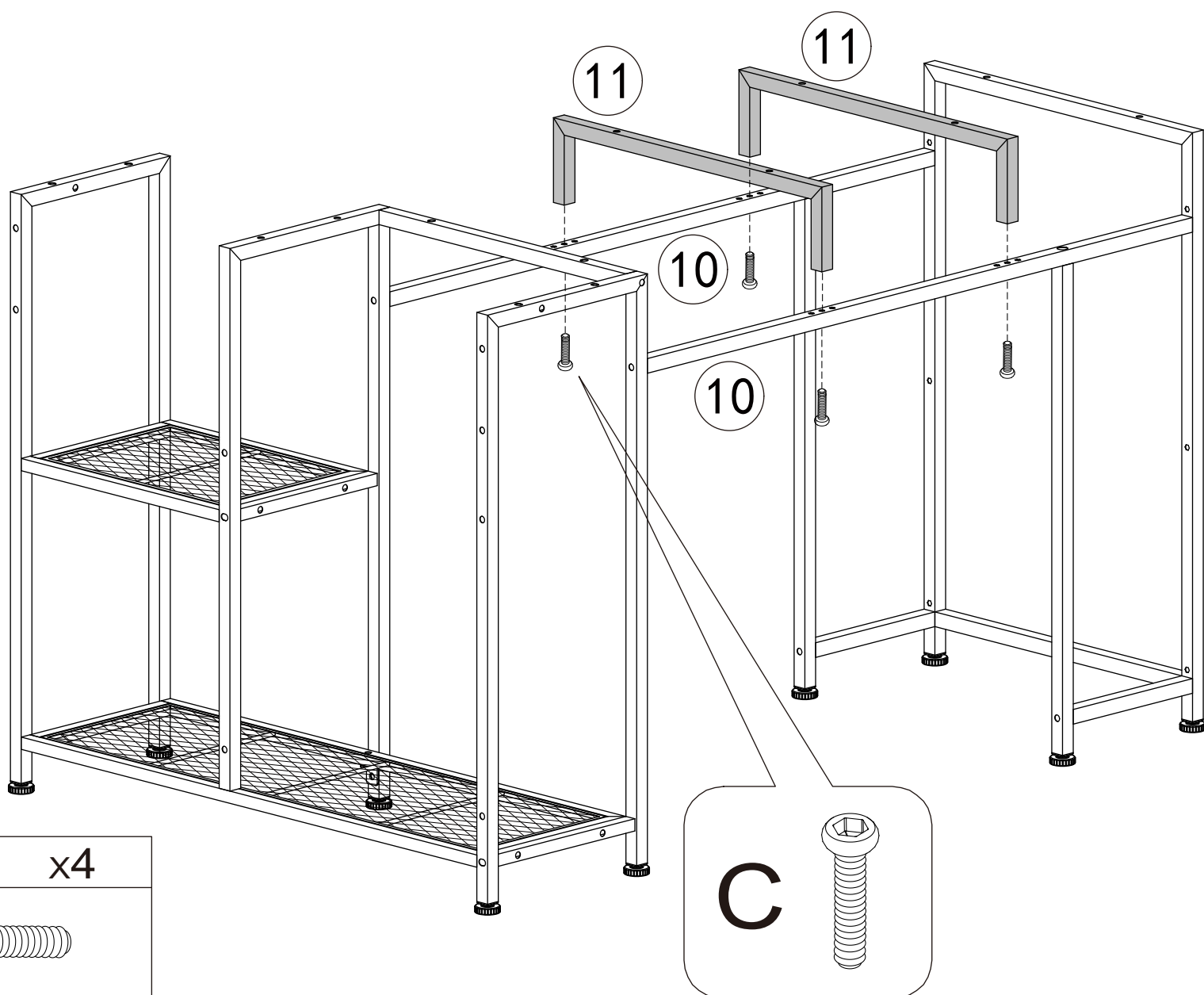
ASSEMBLY INSTRUCTION

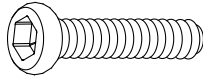
L-9



C	x2
	
M6x25MM	

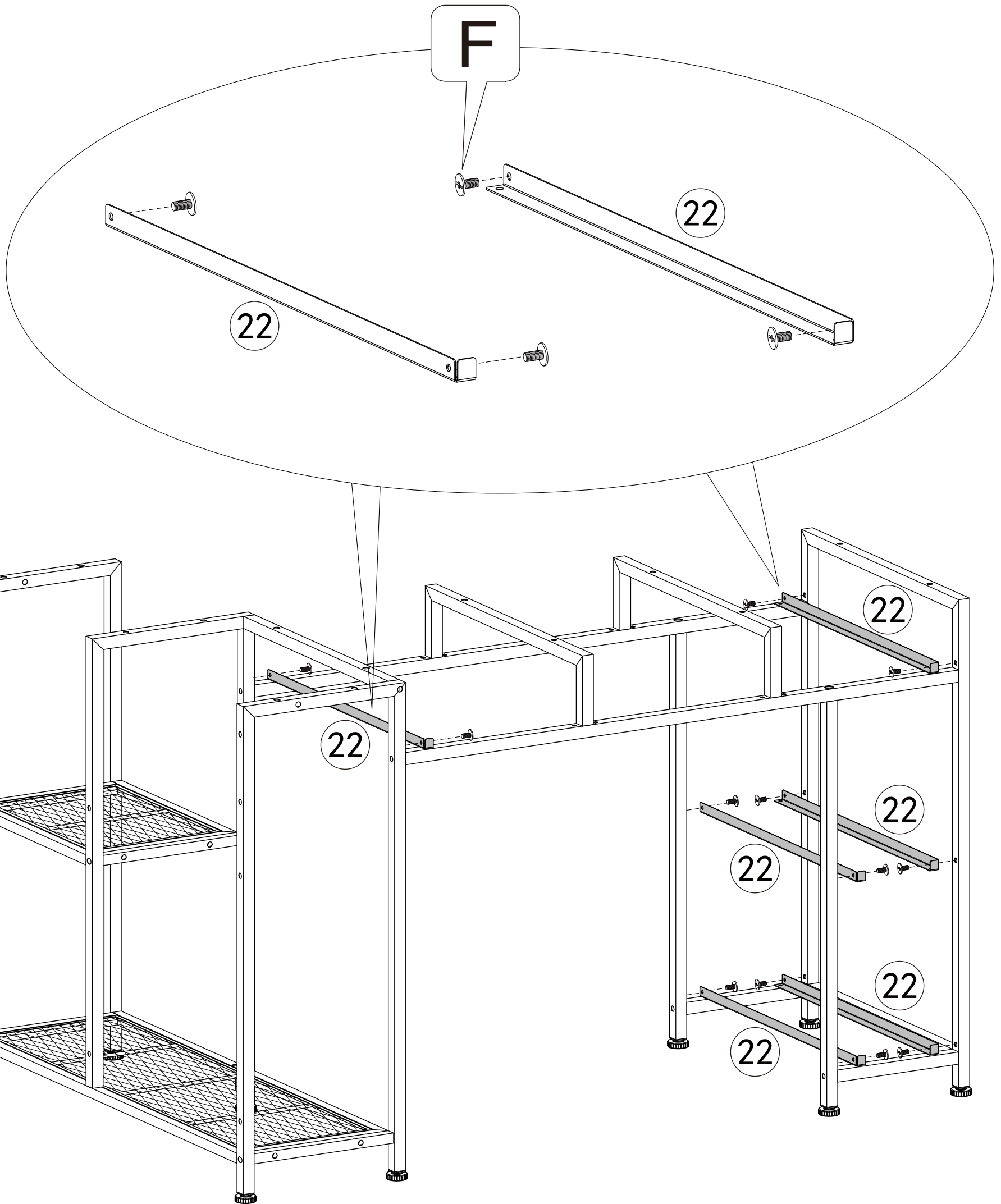
L-10

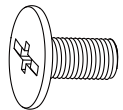


C	x4
	
M6x25MM	

ASSEMBLY INSTRUCTION

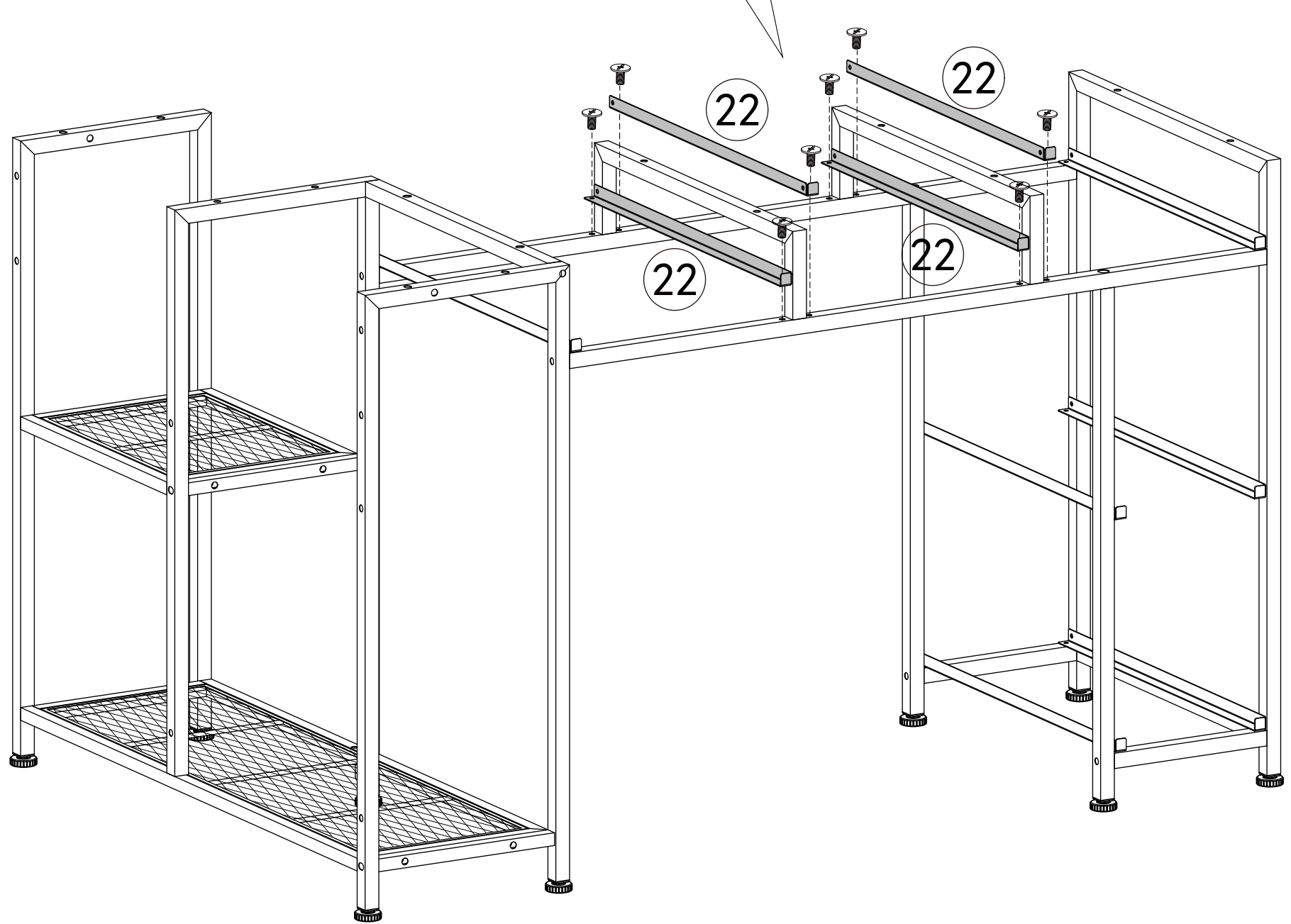
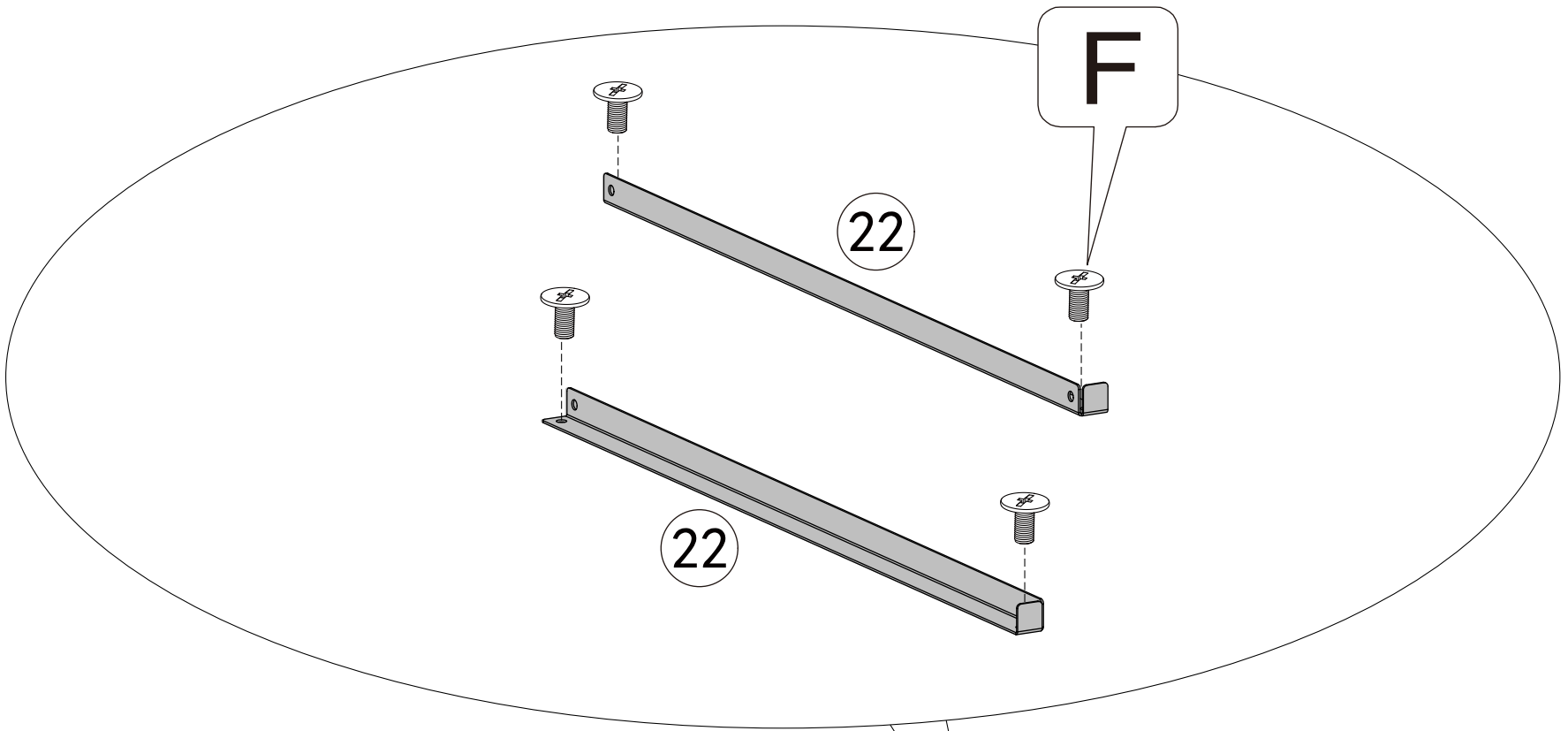
L-11

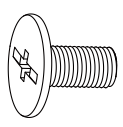


F	x12
	
M4x8MM	

ASSEMBLY INSTRUCTION

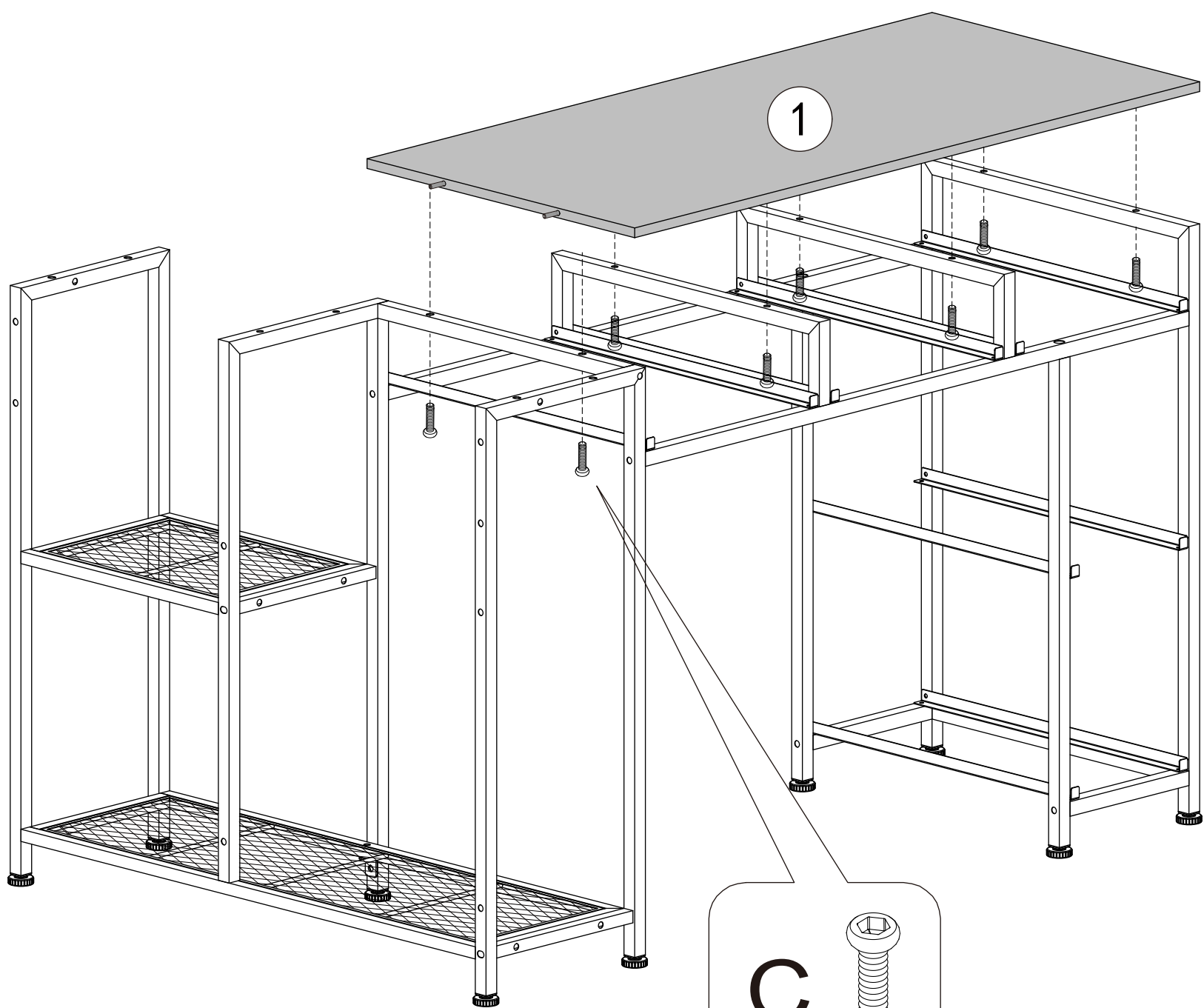
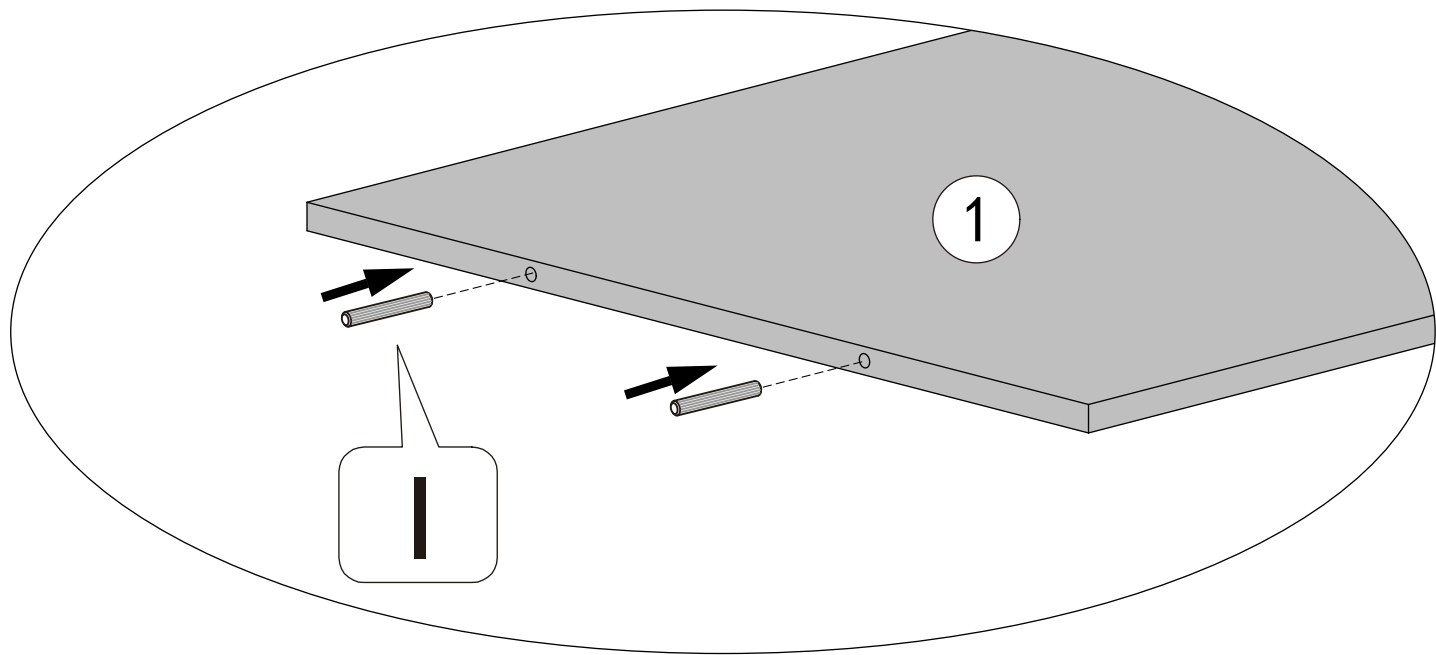
L-12

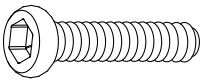



F	x8
	
M4x8MM	

ASSEMBLY INSTRUCTION

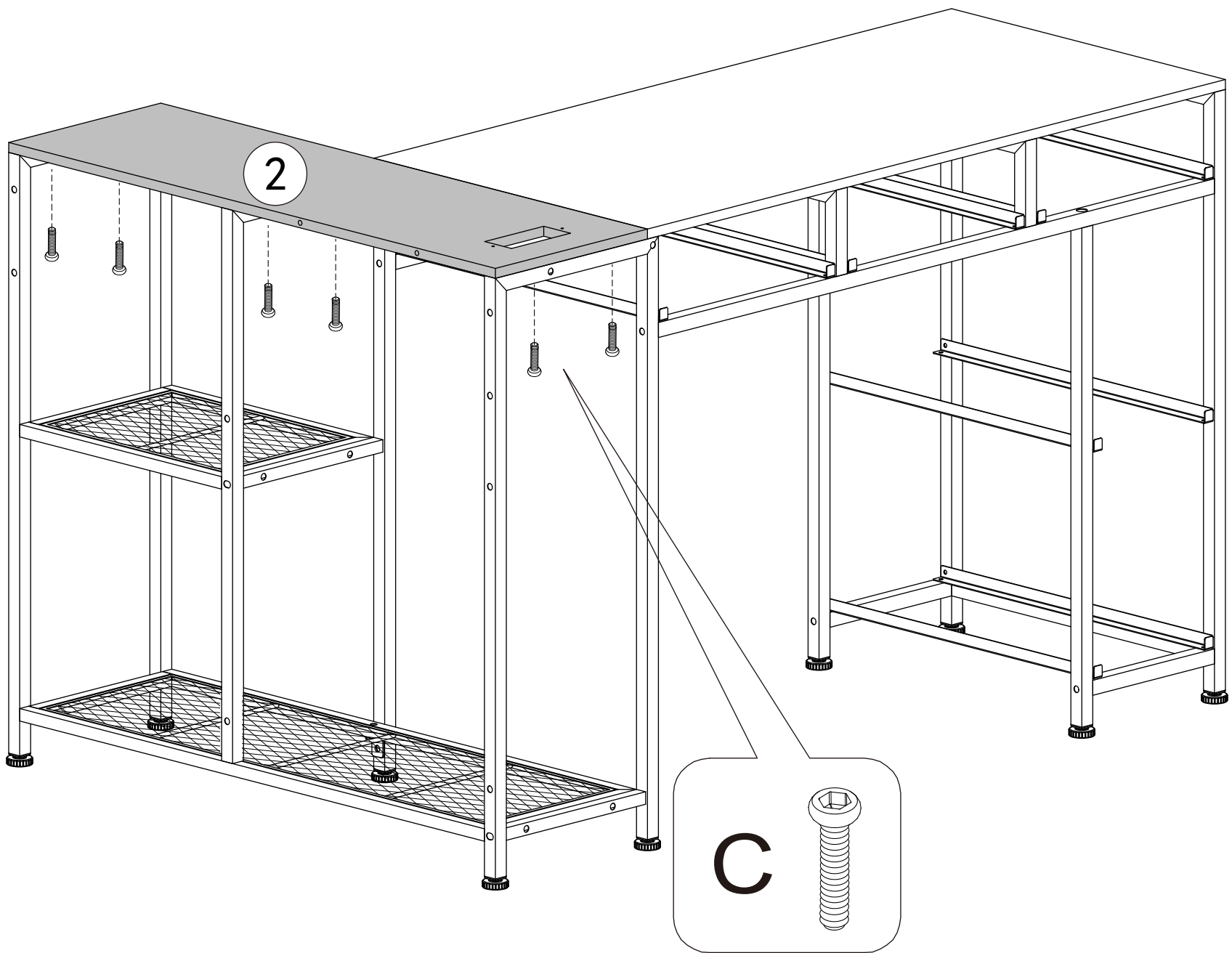
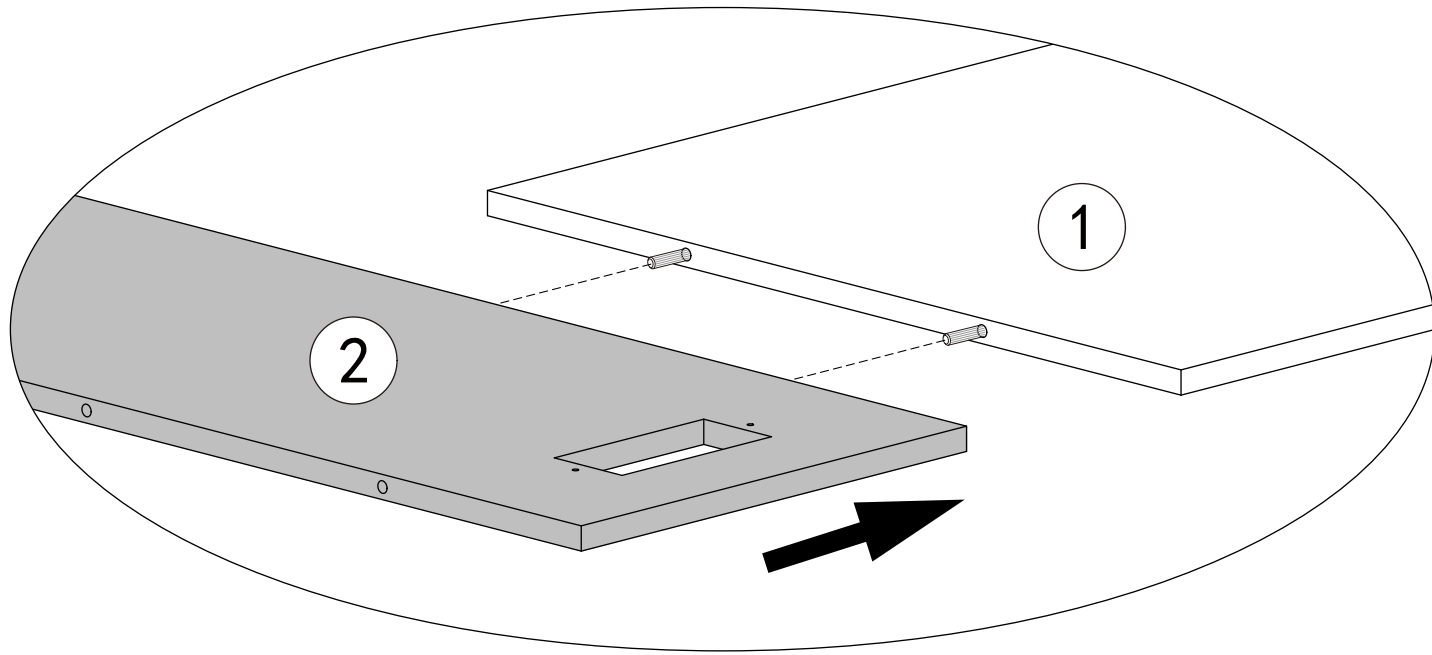
L-13

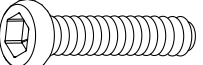


C	x8	I	x2
			
M6x25MM		Ø6x40MM	

ASSEMBLY INSTRUCTION

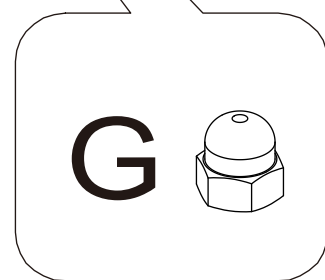
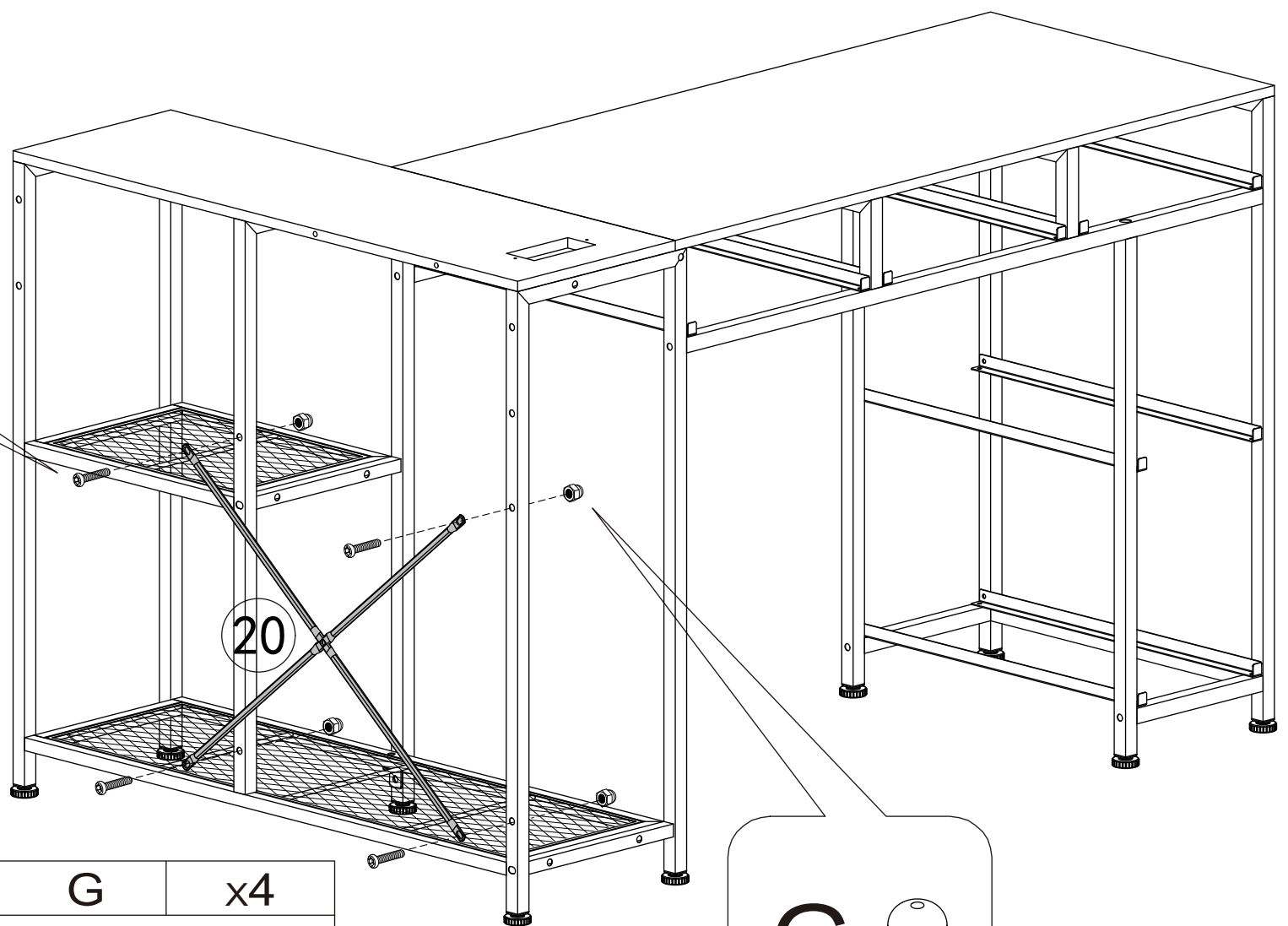
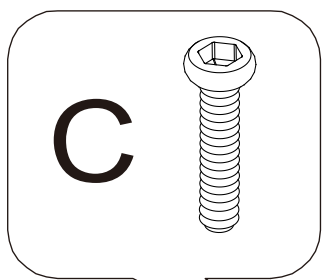
L-14

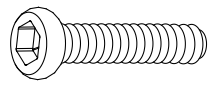
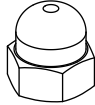


C	x6
	
M6x25MM	

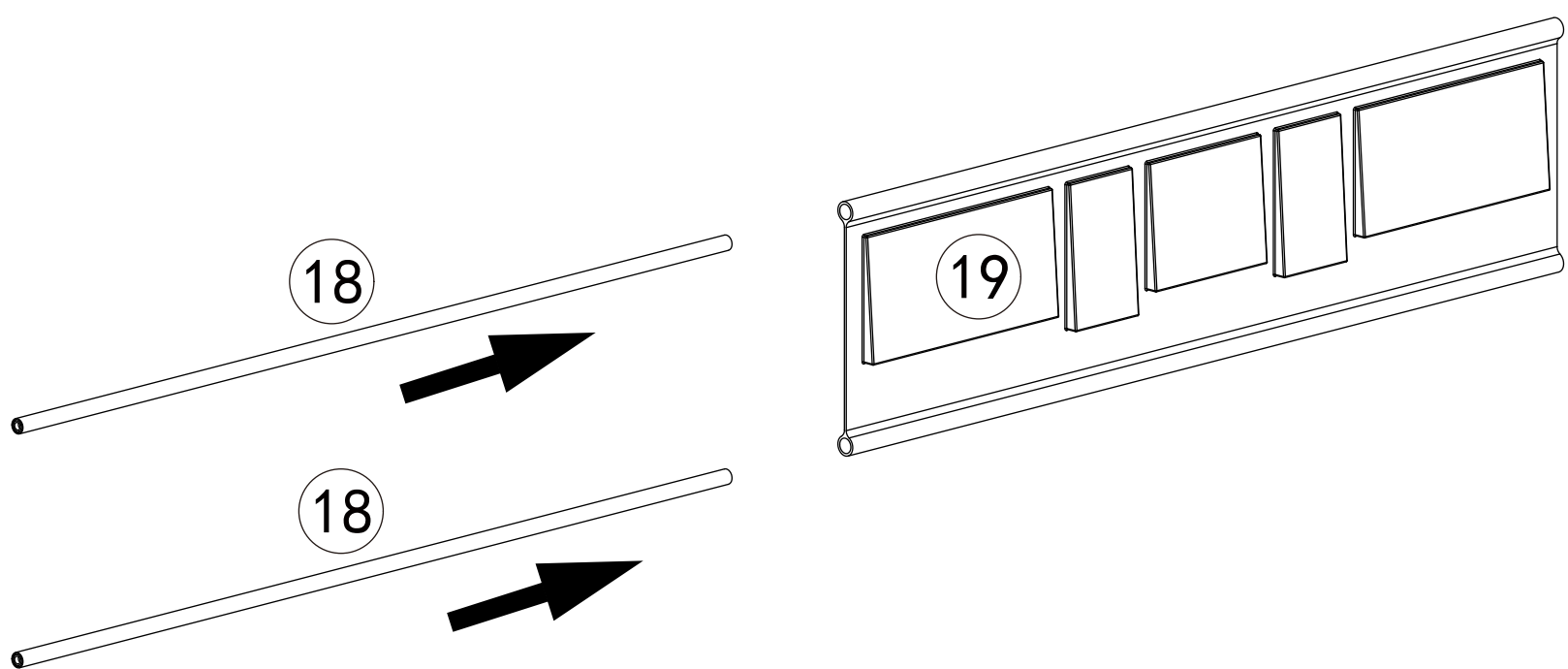
ASSEMBLY INSTRUCTION

L-15



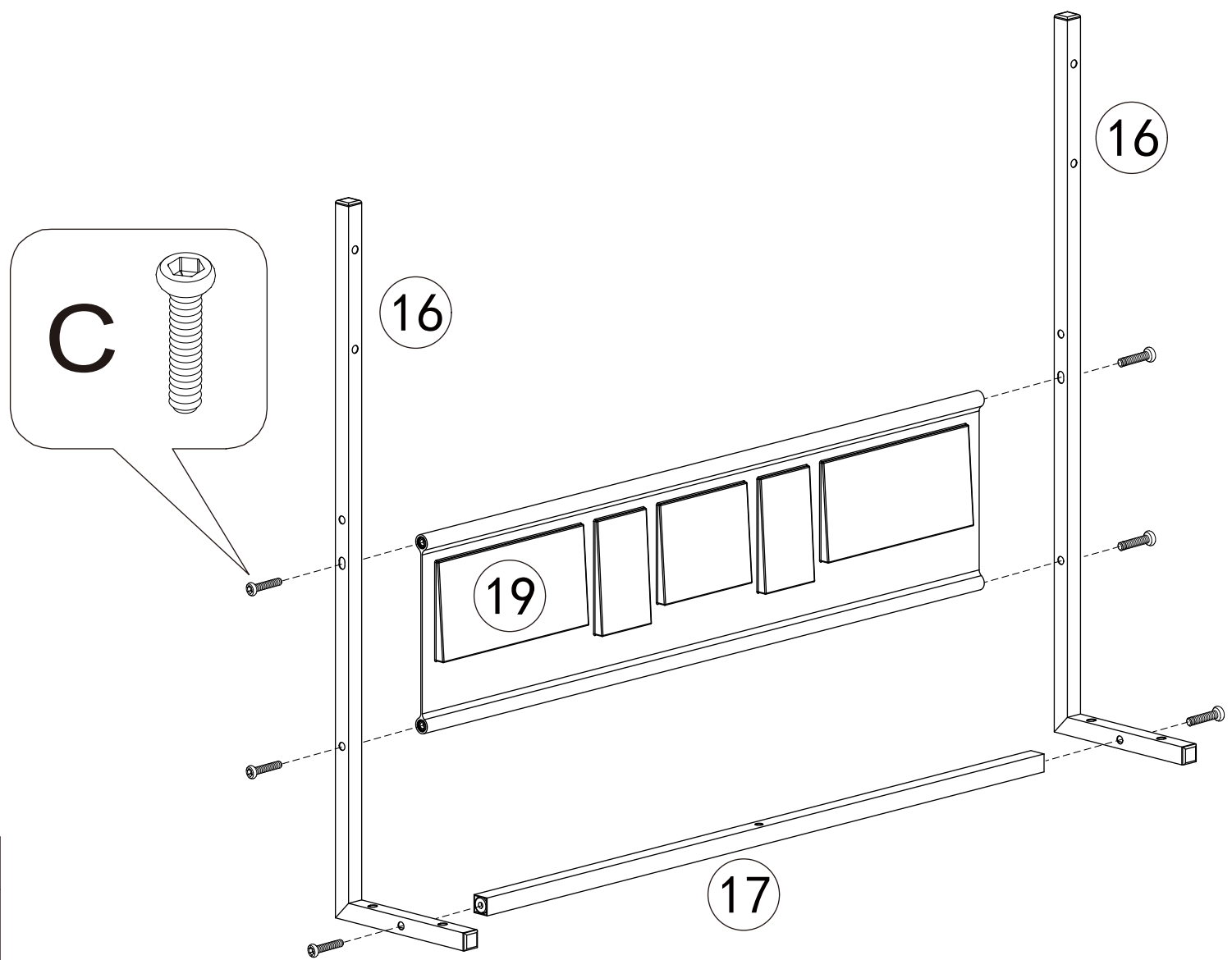
C	x4	G	x4
			
M6x25MM		M6	

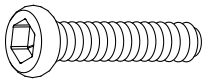
L-16



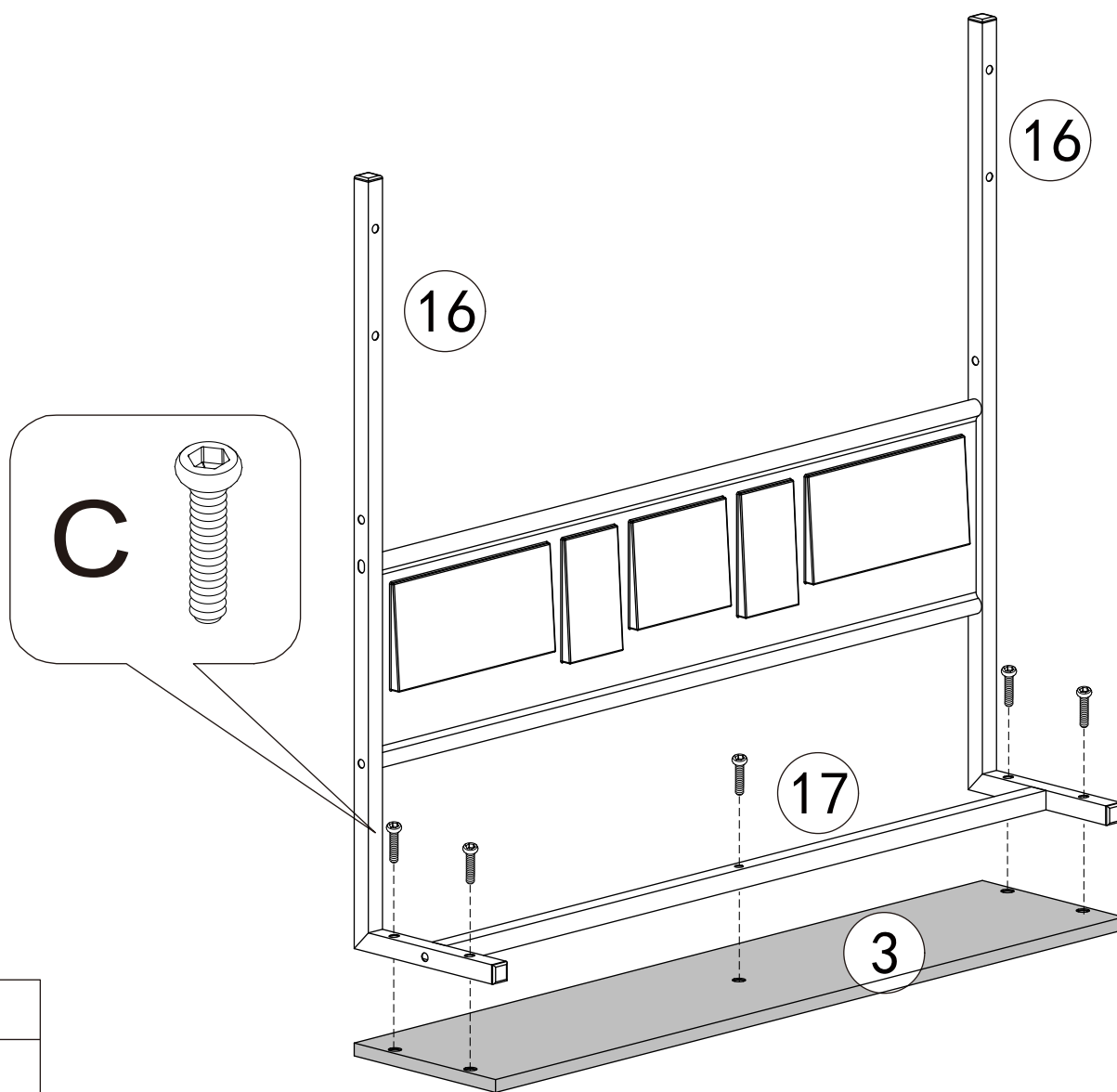
ASSEMBLY INSTRUCTION

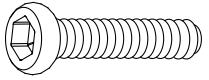
L-17



C	x6
	
M6x25MM	

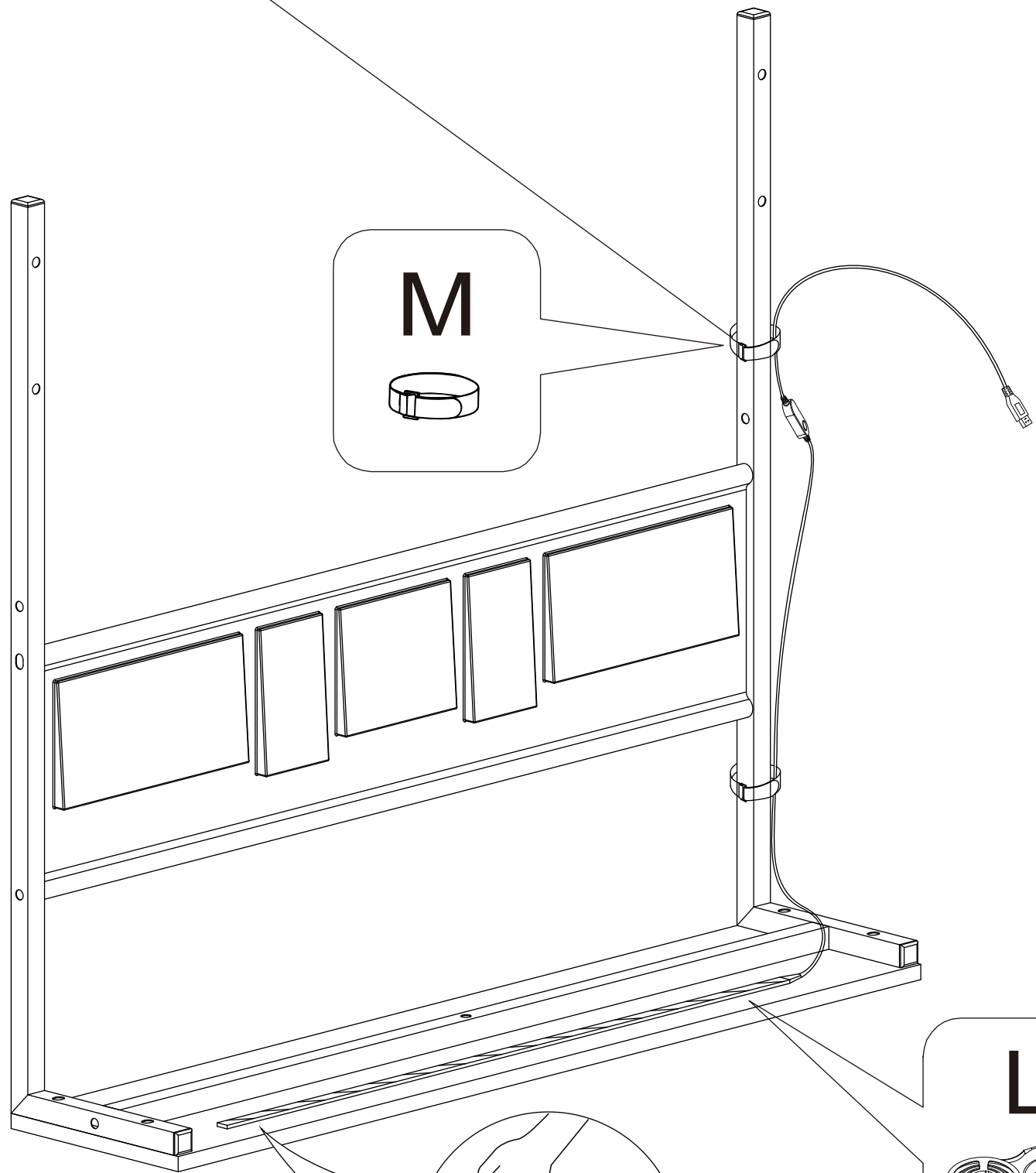
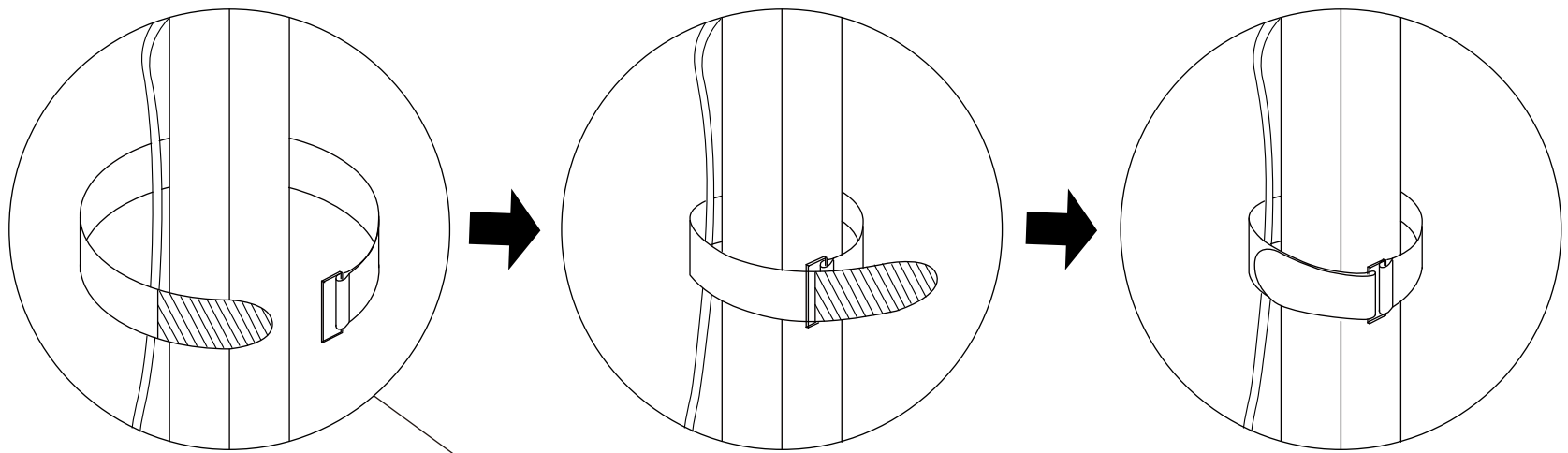
L-18



C	x5
	
M6x25MM	

ASSEMBLY INSTRUCTION

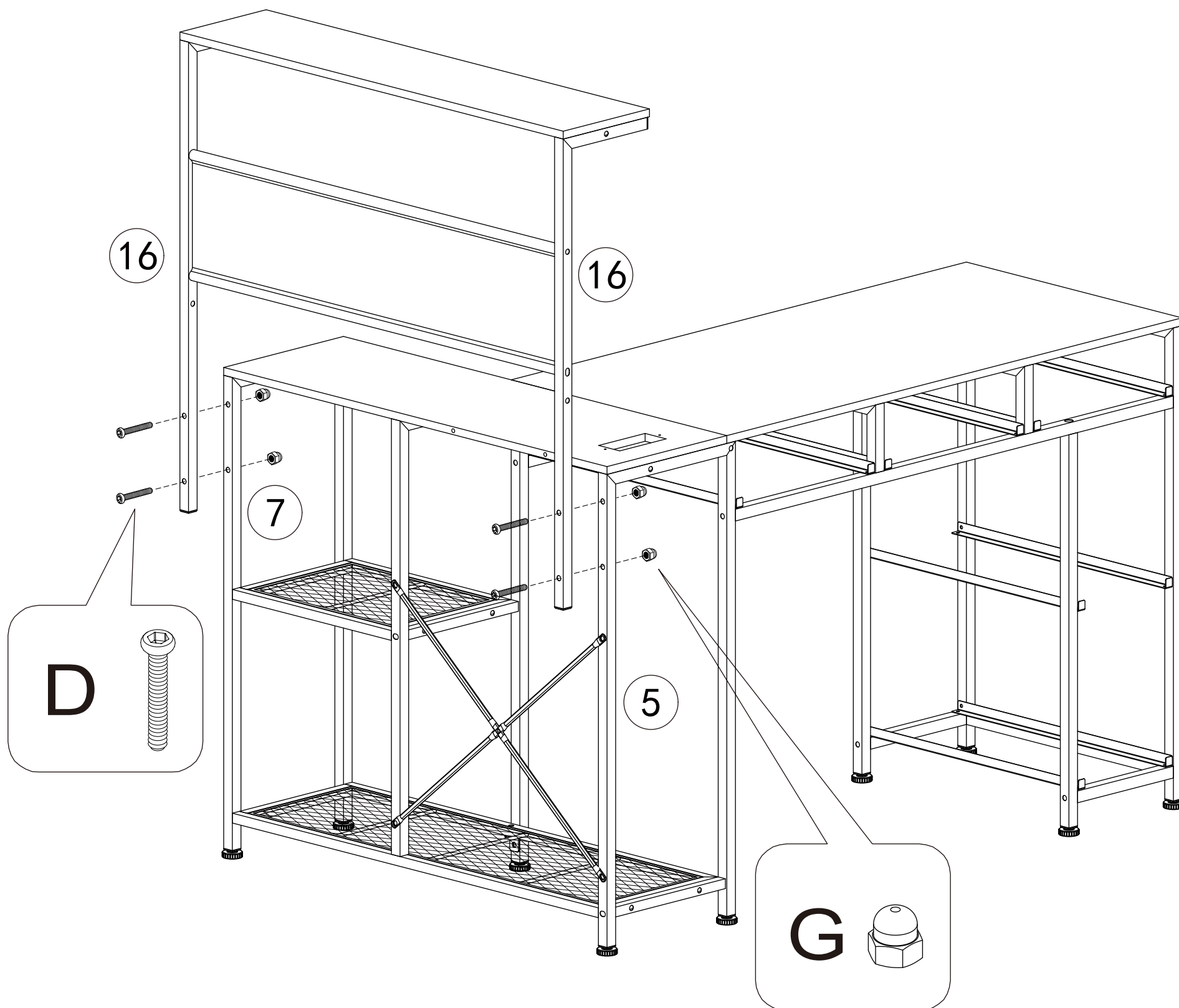
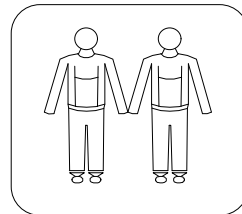
L-19

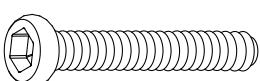
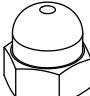


L	x1	M	x2

ASSEMBLY INSTRUCTION

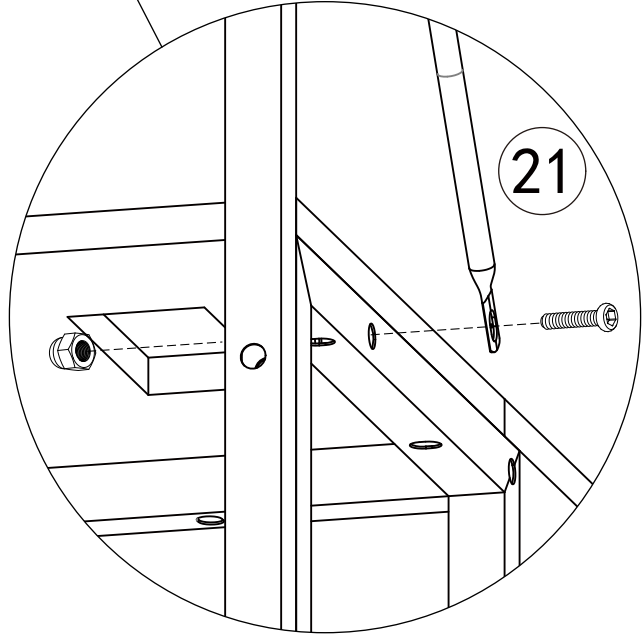
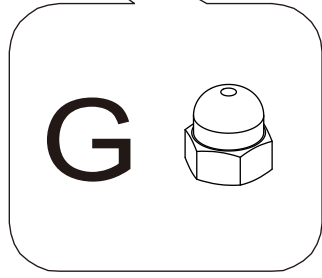
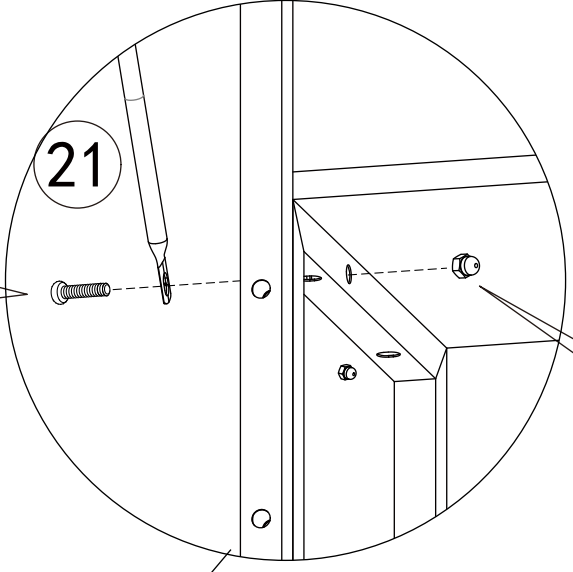
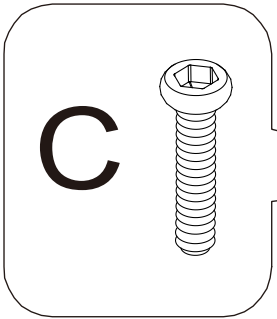
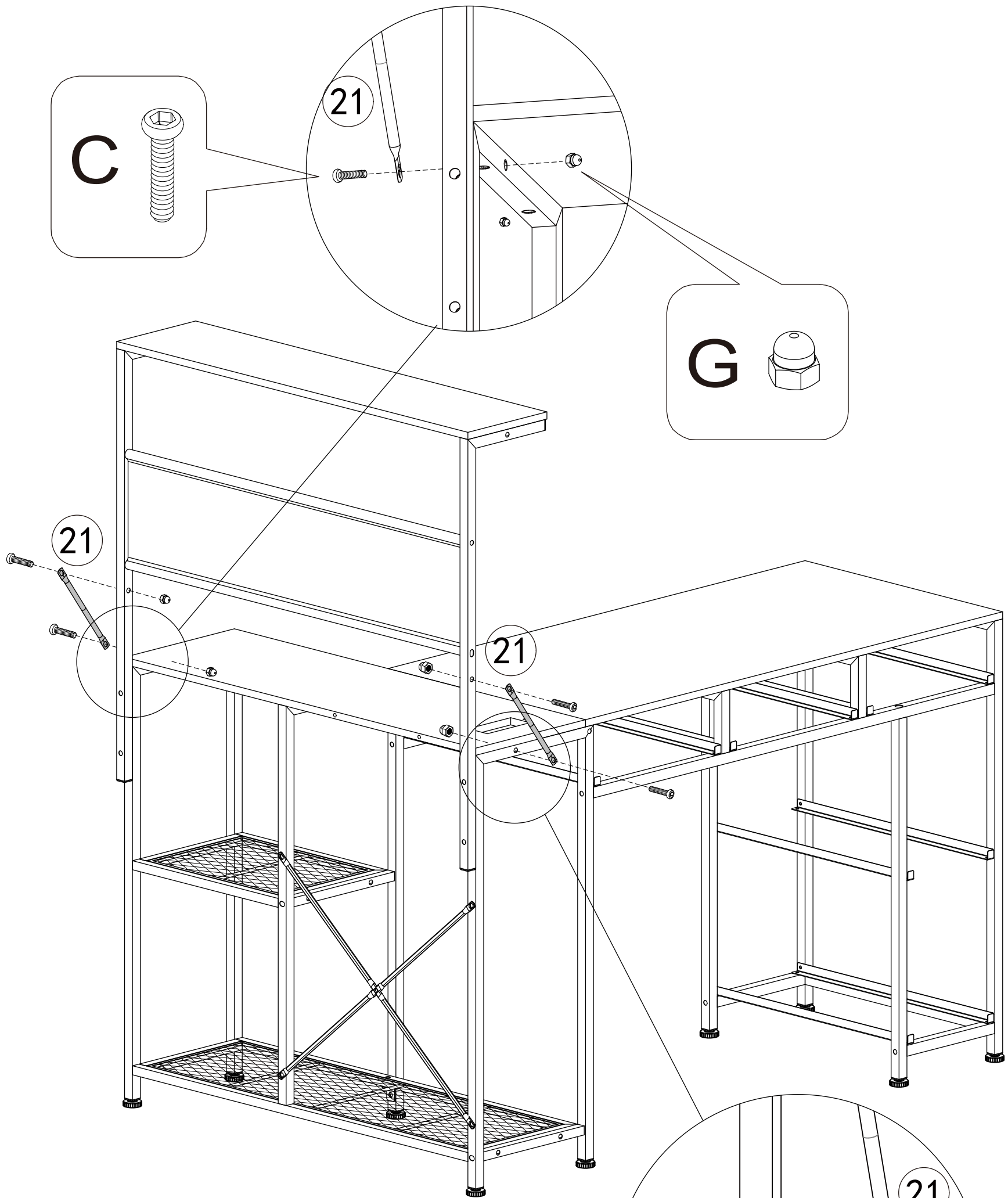
L-20

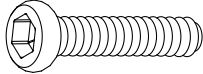



D	x4	G	x4
			
M6x40MM		M6	

ASSEMBLY INSTRUCTION

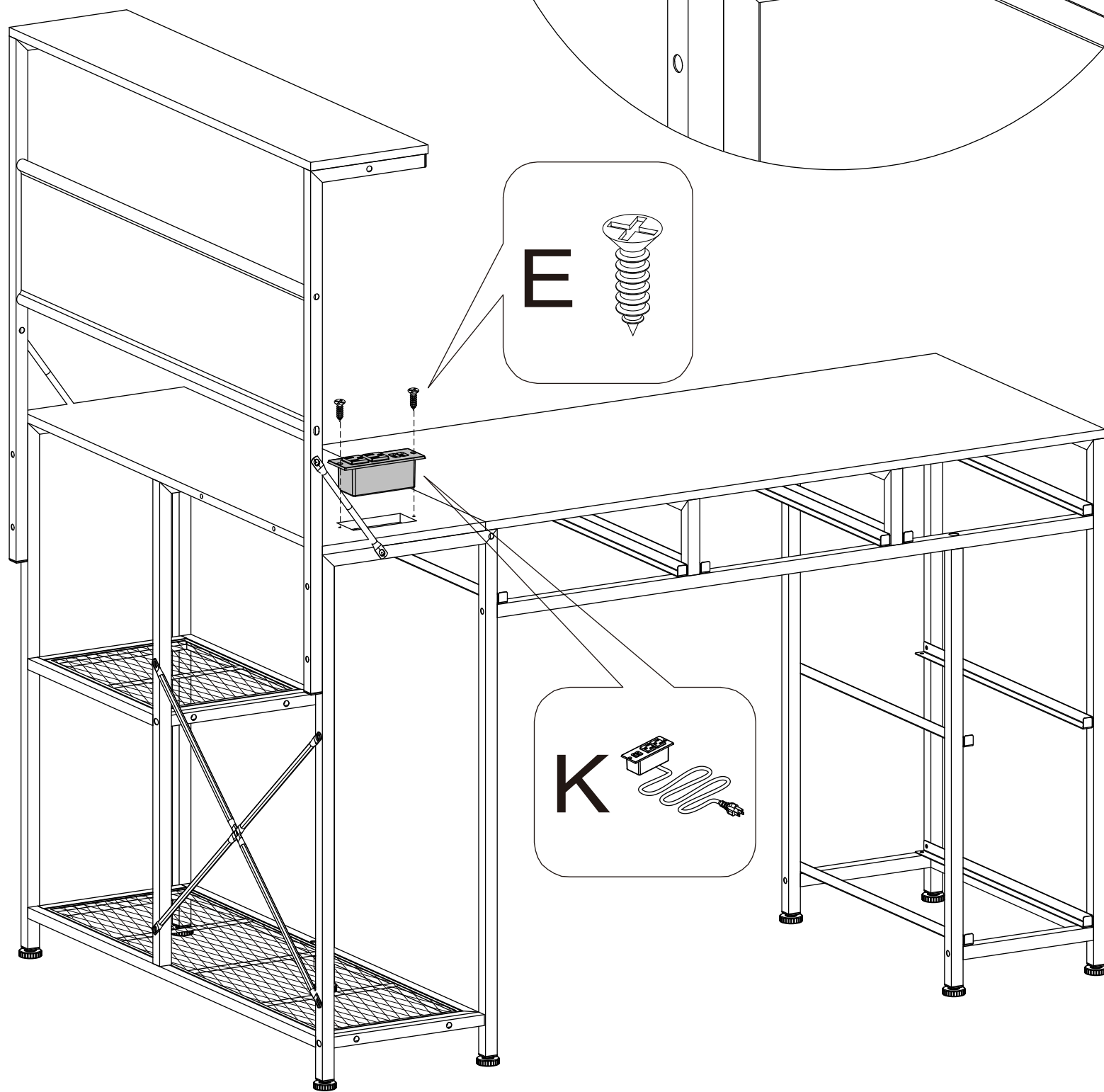
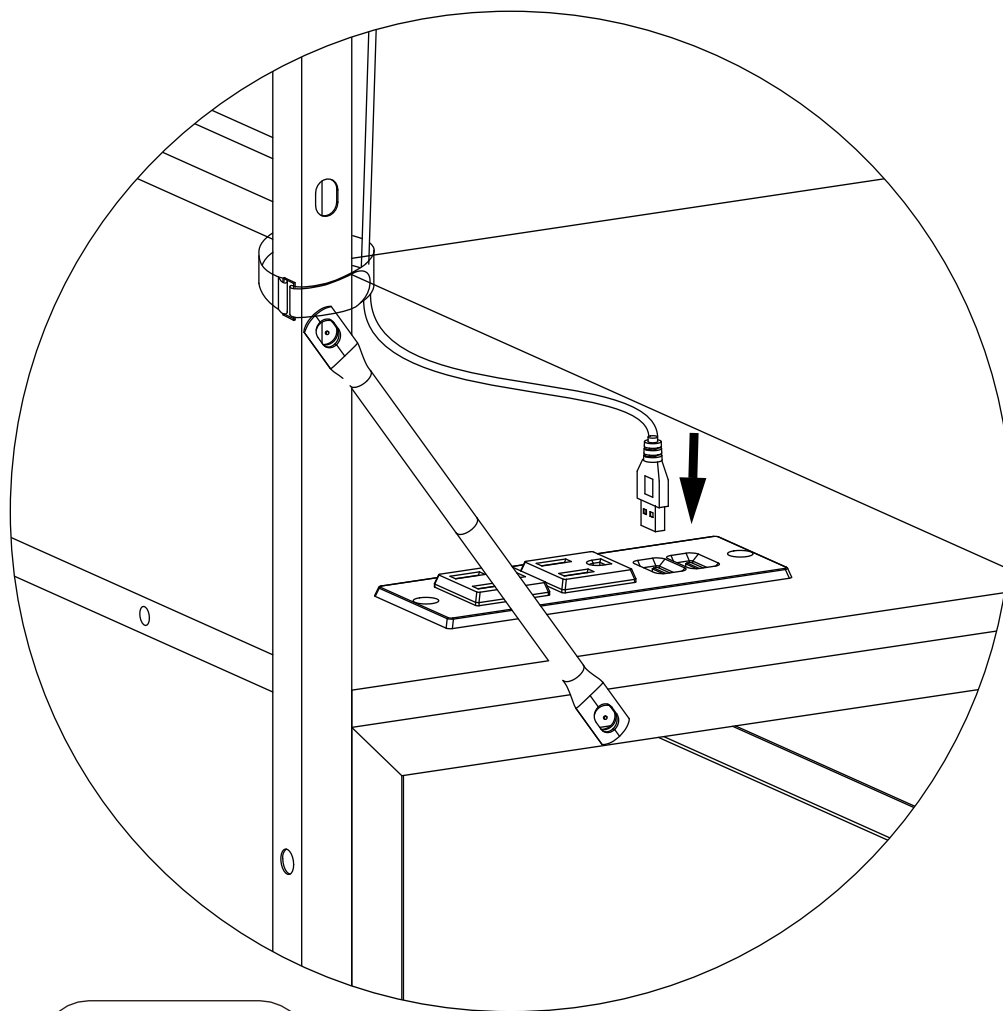
L-21

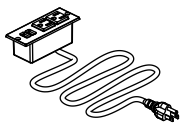
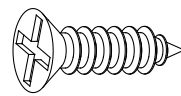


C	x4	G	x4
			
M6x25MM		M6	

ASSEMBLY INSTRUCTION

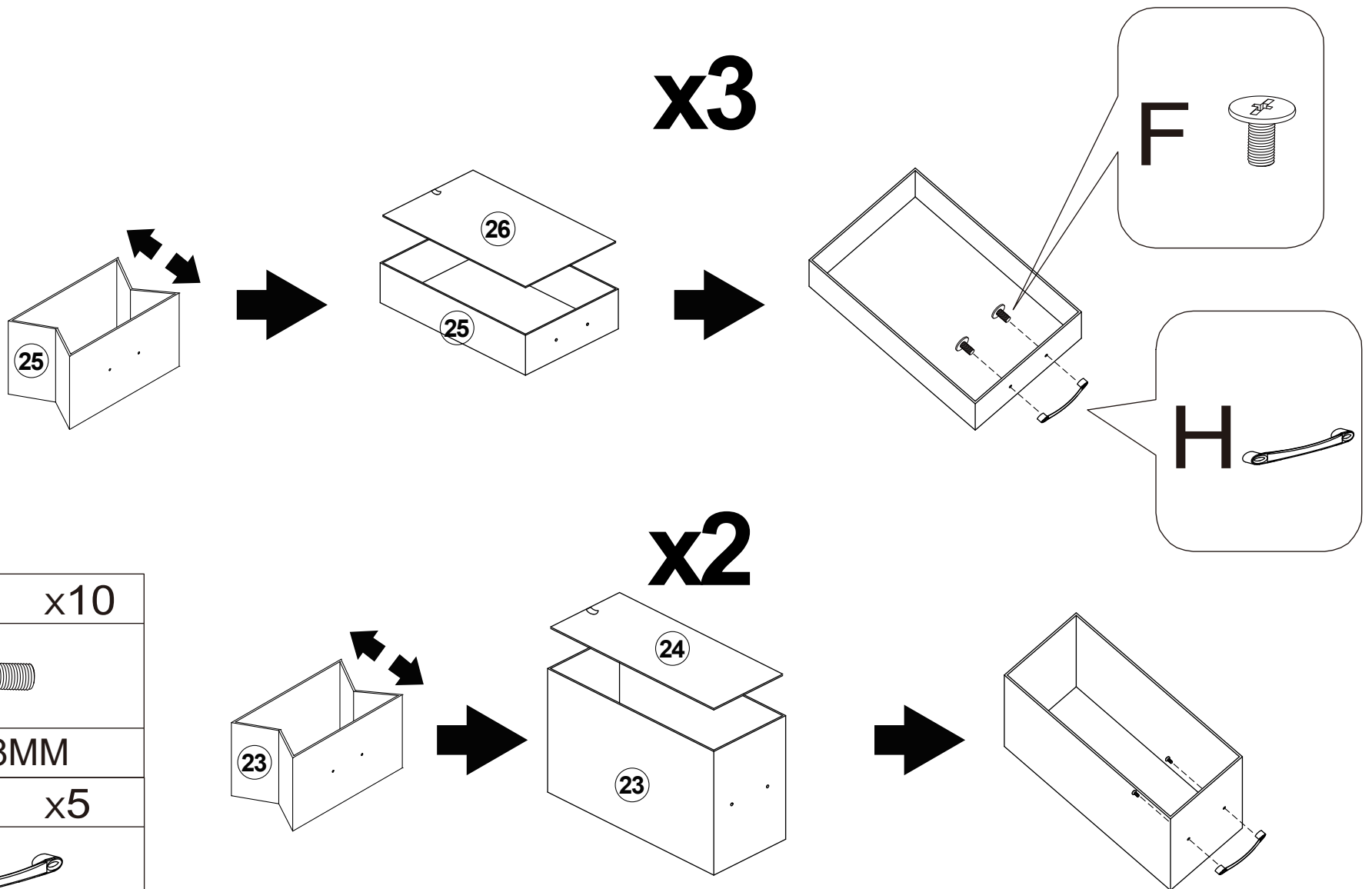
L-22

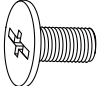



K	x1	E	x2
			
		ST4x10MM	

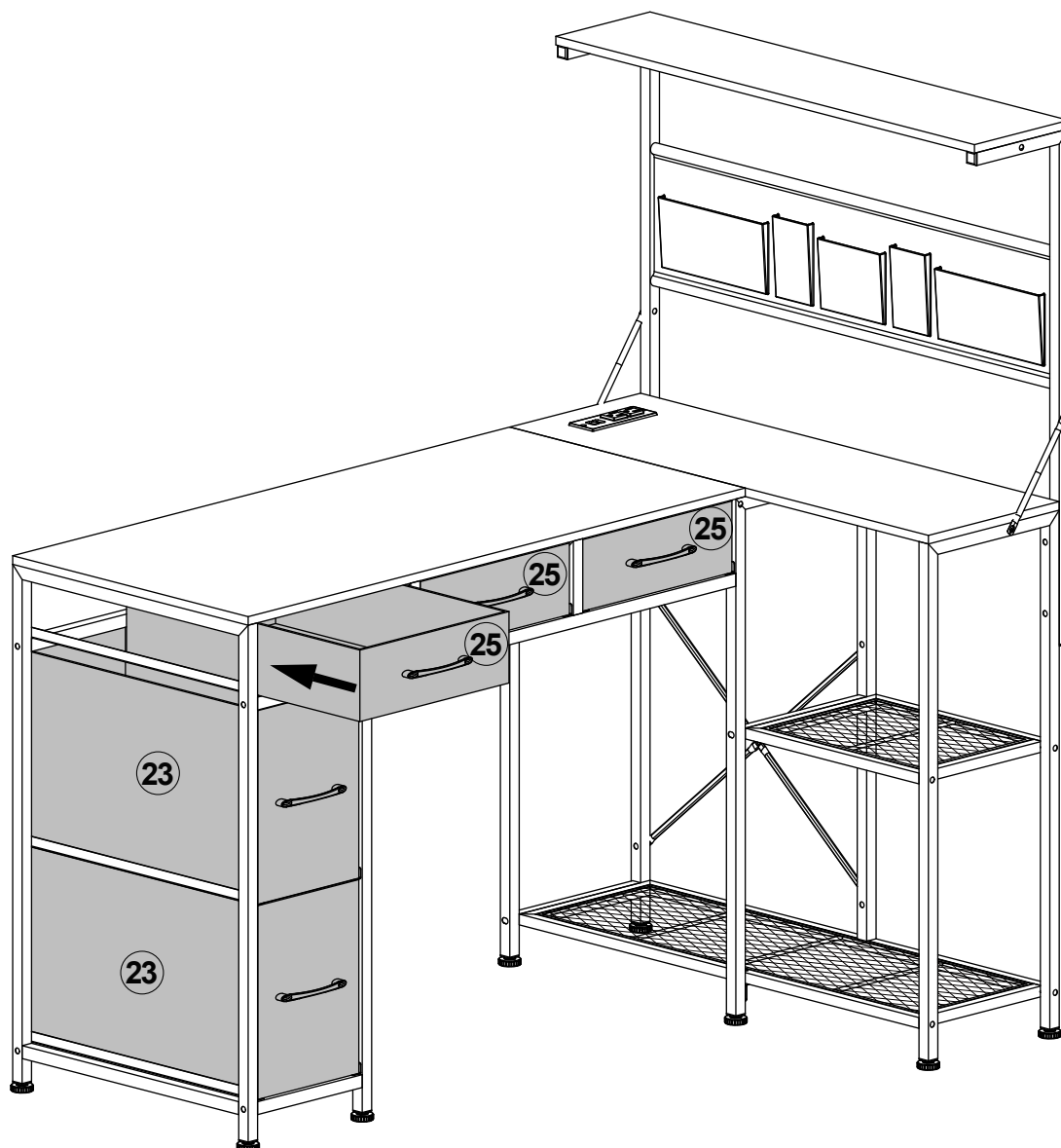
ASSEMBLY INSTRUCTION

L-23



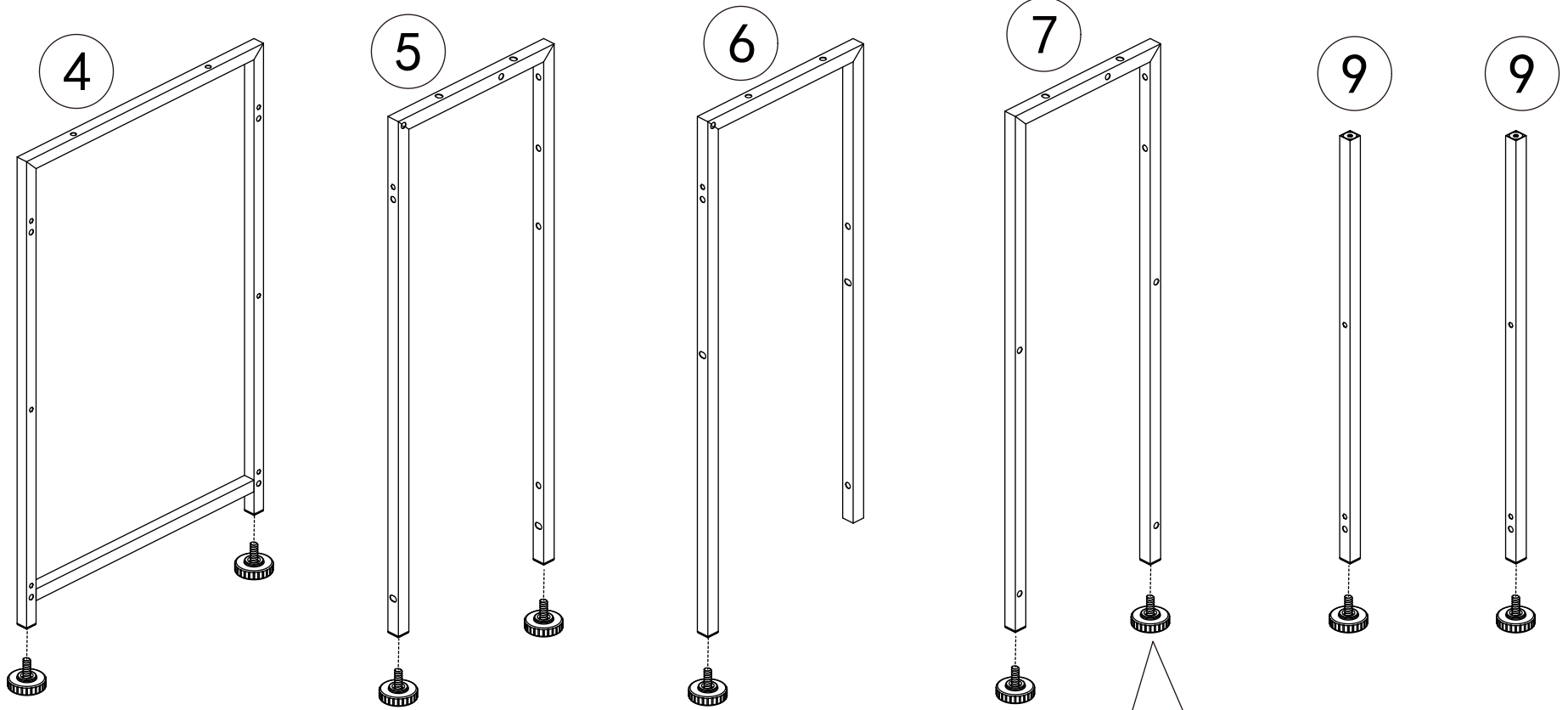
F	x10
	
M4x8MM	
H	x5
	

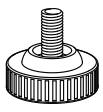
L-24

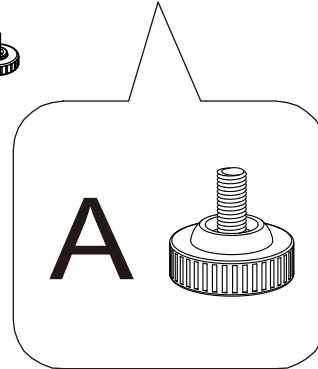


ASSEMBLY INSTRUCTION

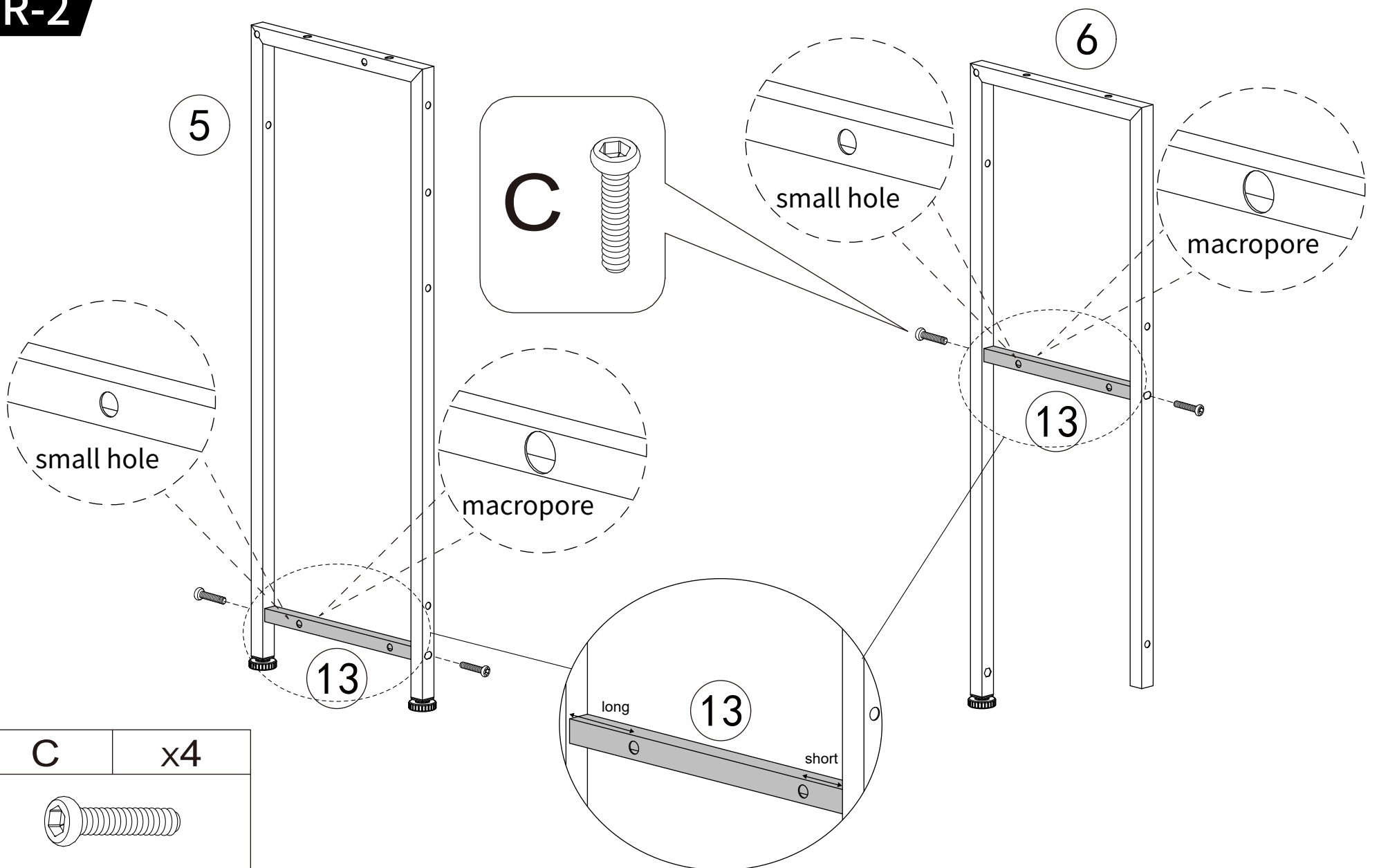
R-1

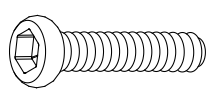


A	x9
	
M6	



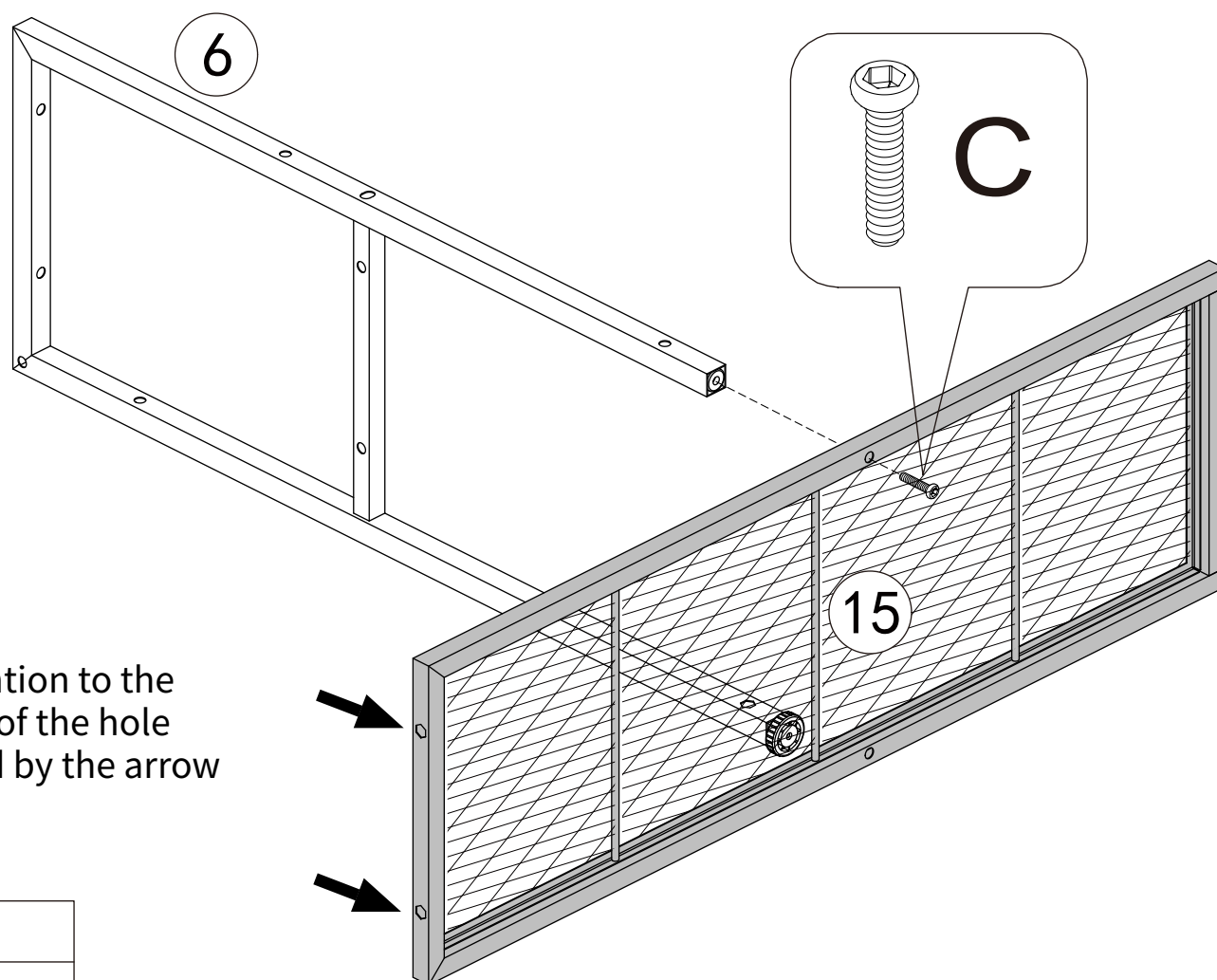
R-2



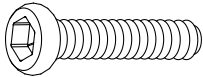
C	x4
	
M6x25MM	

ASSEMBLY INSTRUCTION

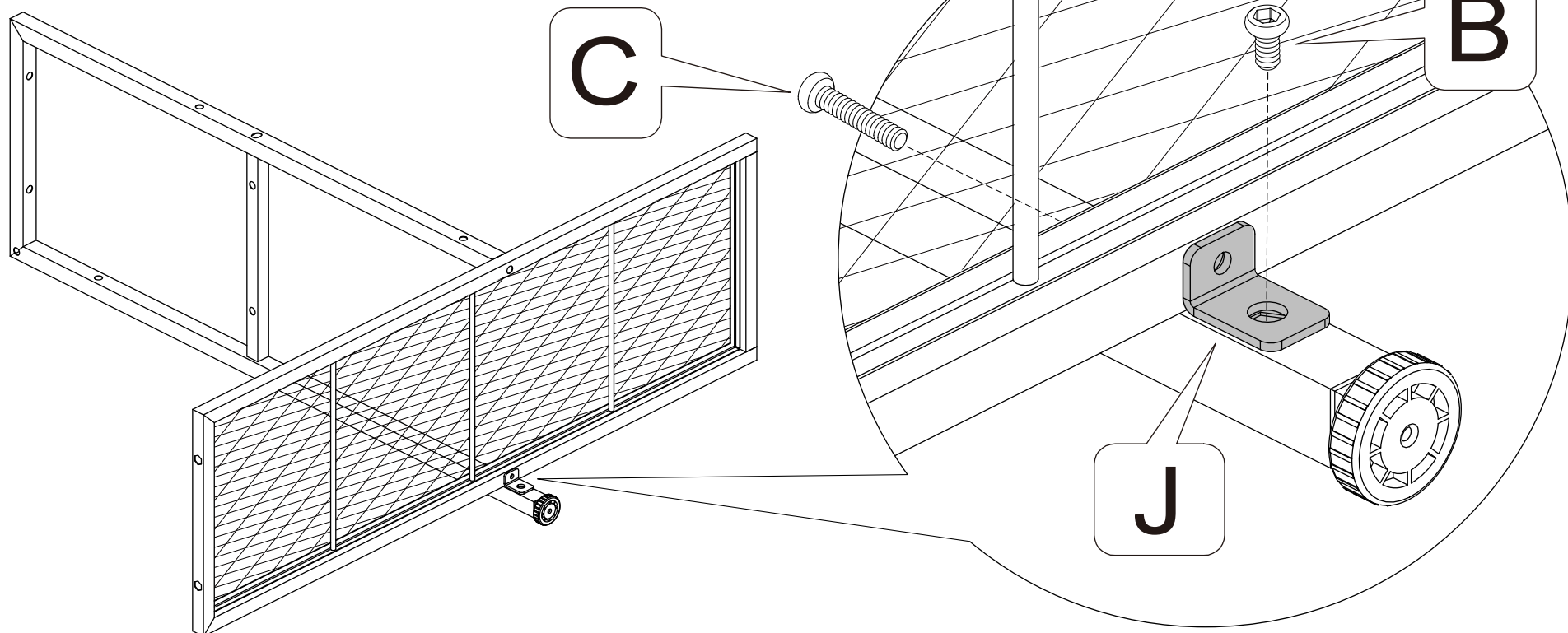
R-3

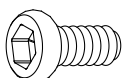
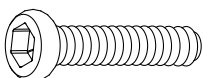
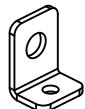


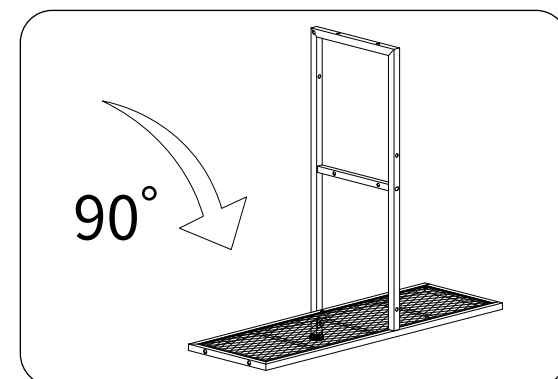
Pay attention to the position of the hole indicated by the arrow

C	x1
	
M6x25MM	

R-4

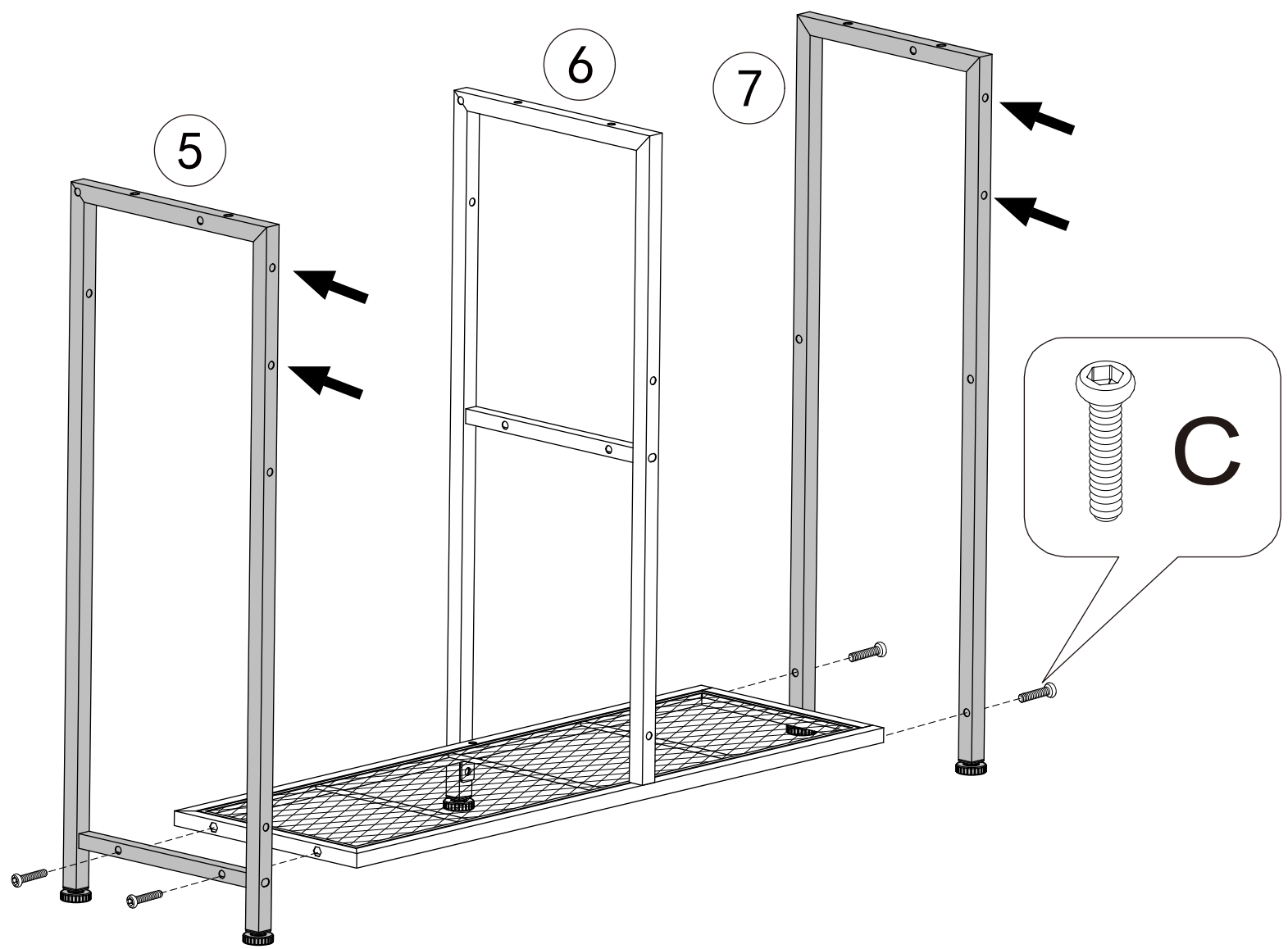


B	x1	C	x1	J	x1
					
M6x10MM		M6x25MM			

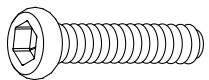


ASSEMBLY INSTRUCTION

R-5

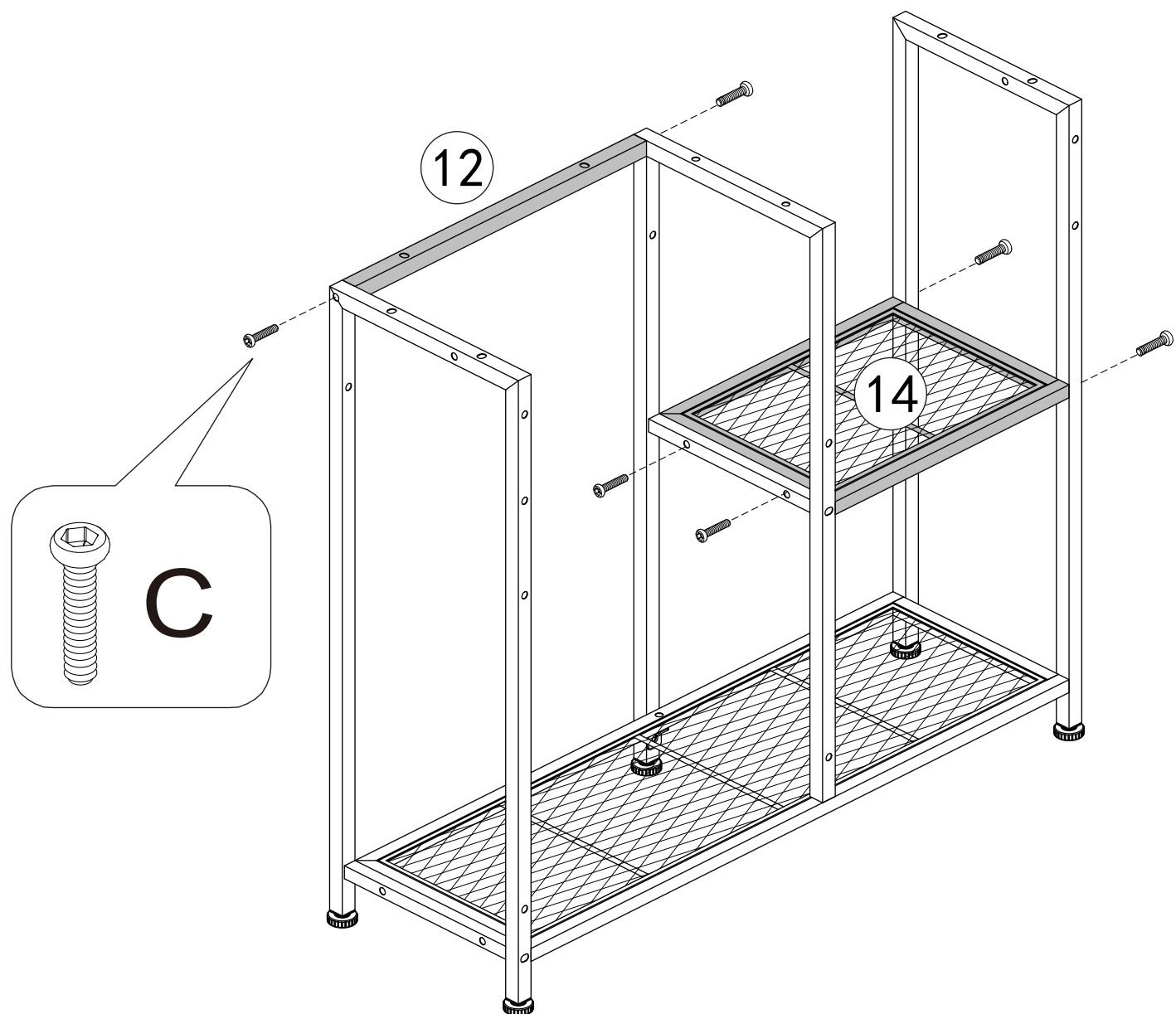


C x4

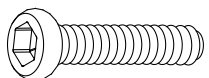


M6x25MM

R-6



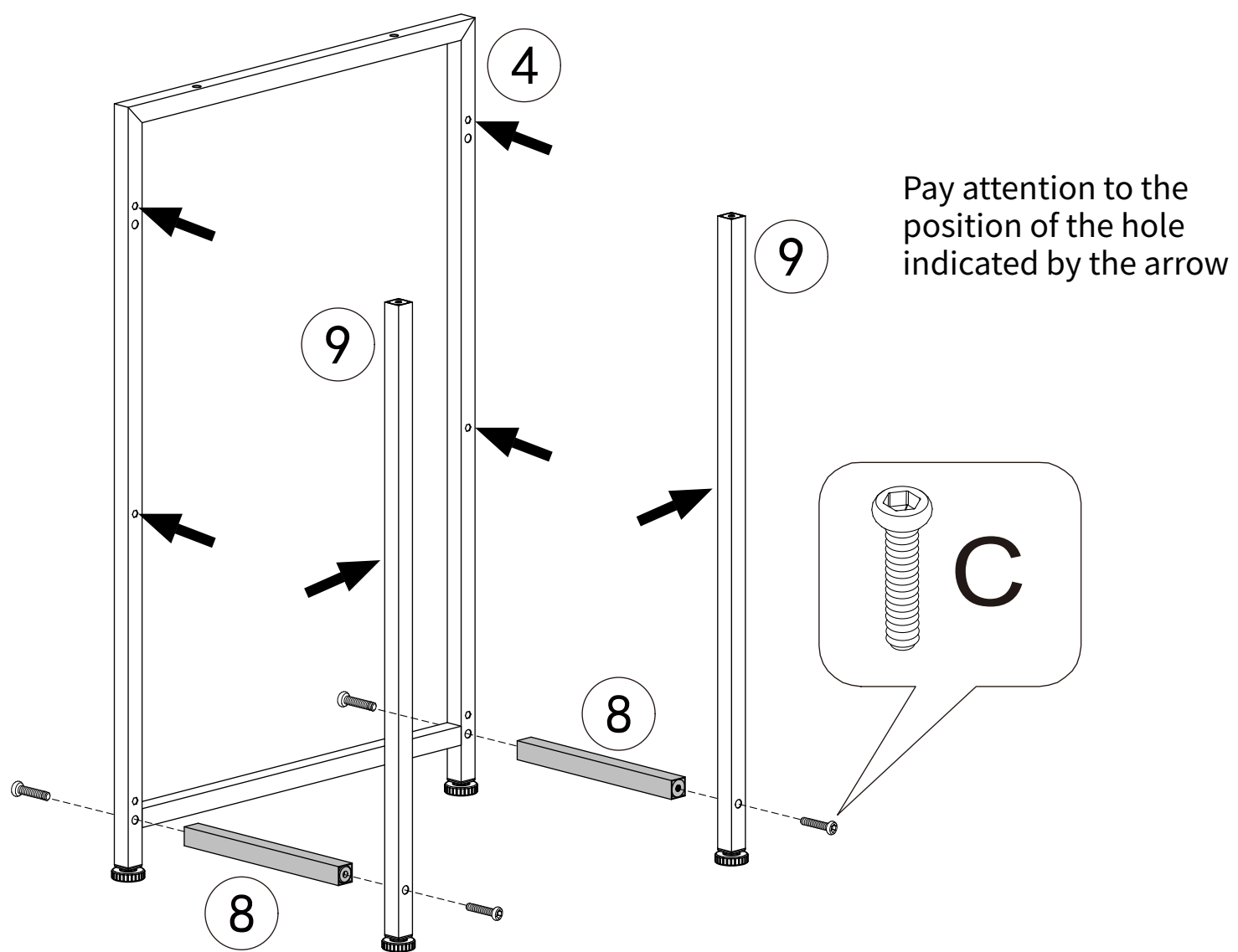
C x6

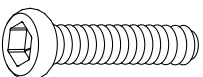


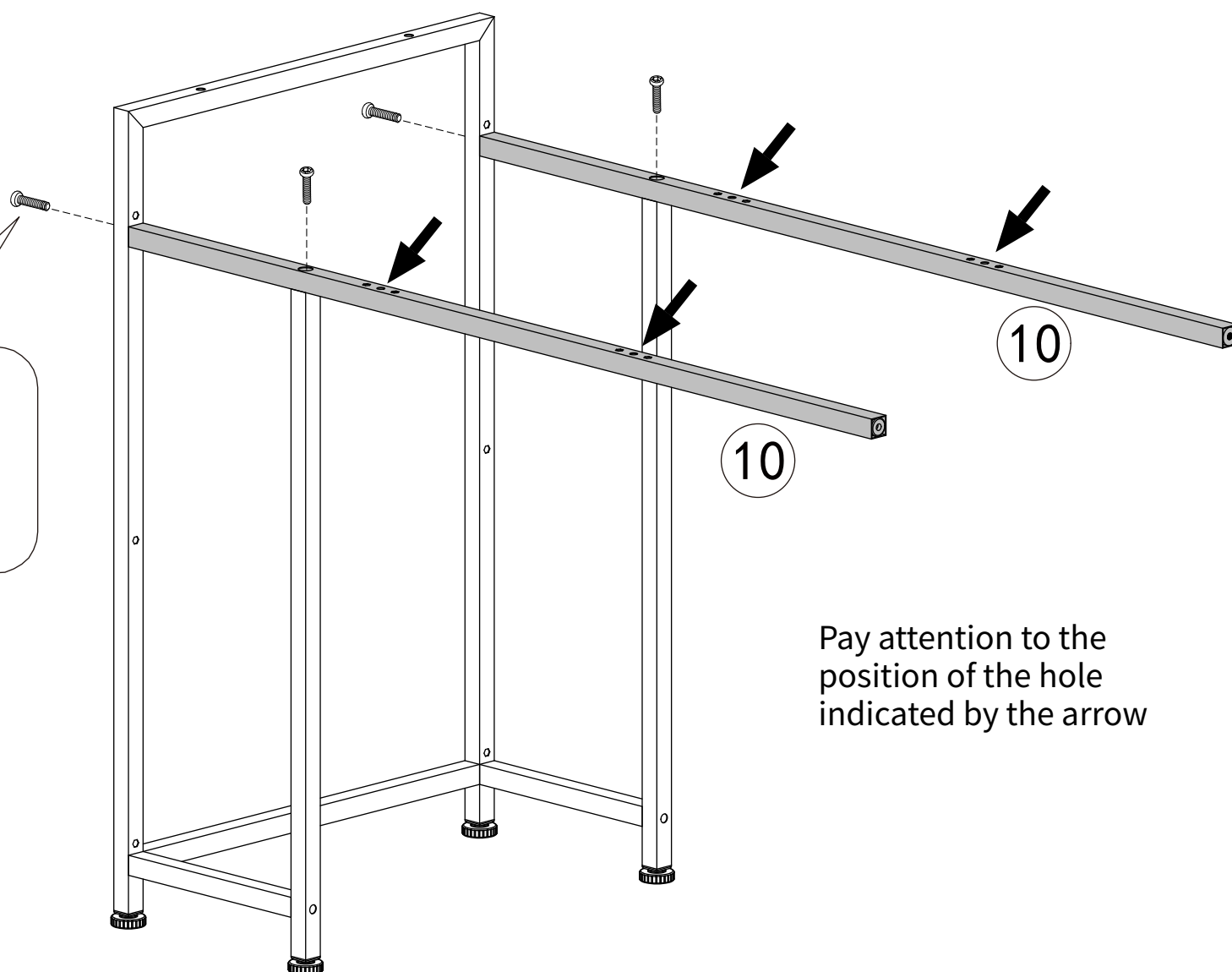
M6x25MM

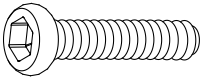
ASSEMBLY INSTRUCTION

R-7



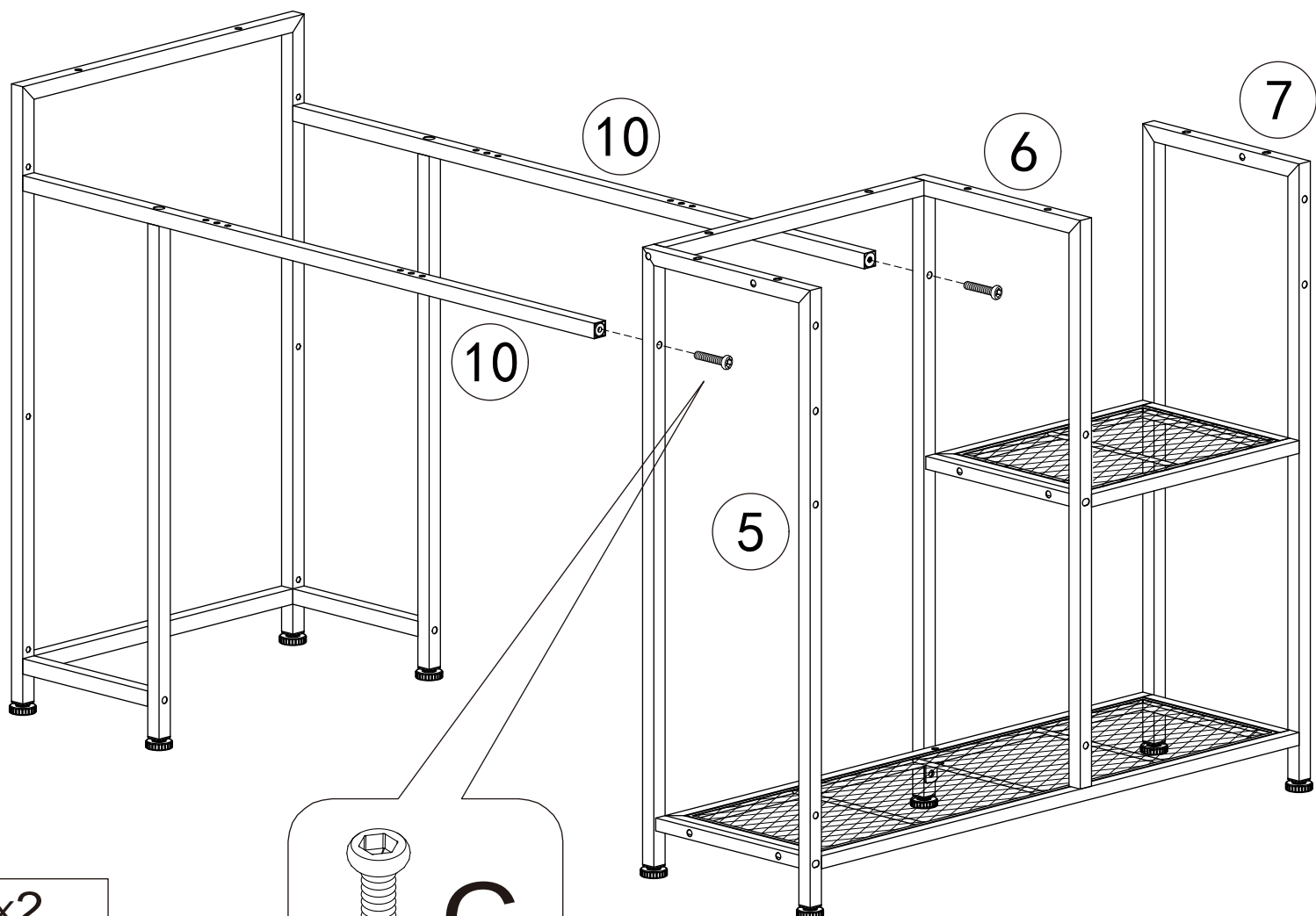
C	x4
	
M6x25MM	

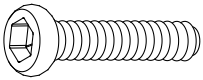


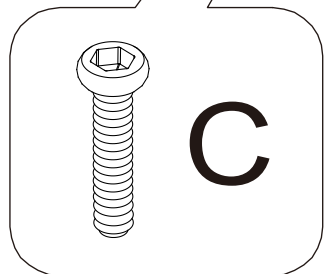
C	x4
	
M6x25MM	

ASSEMBLY INSTRUCTION

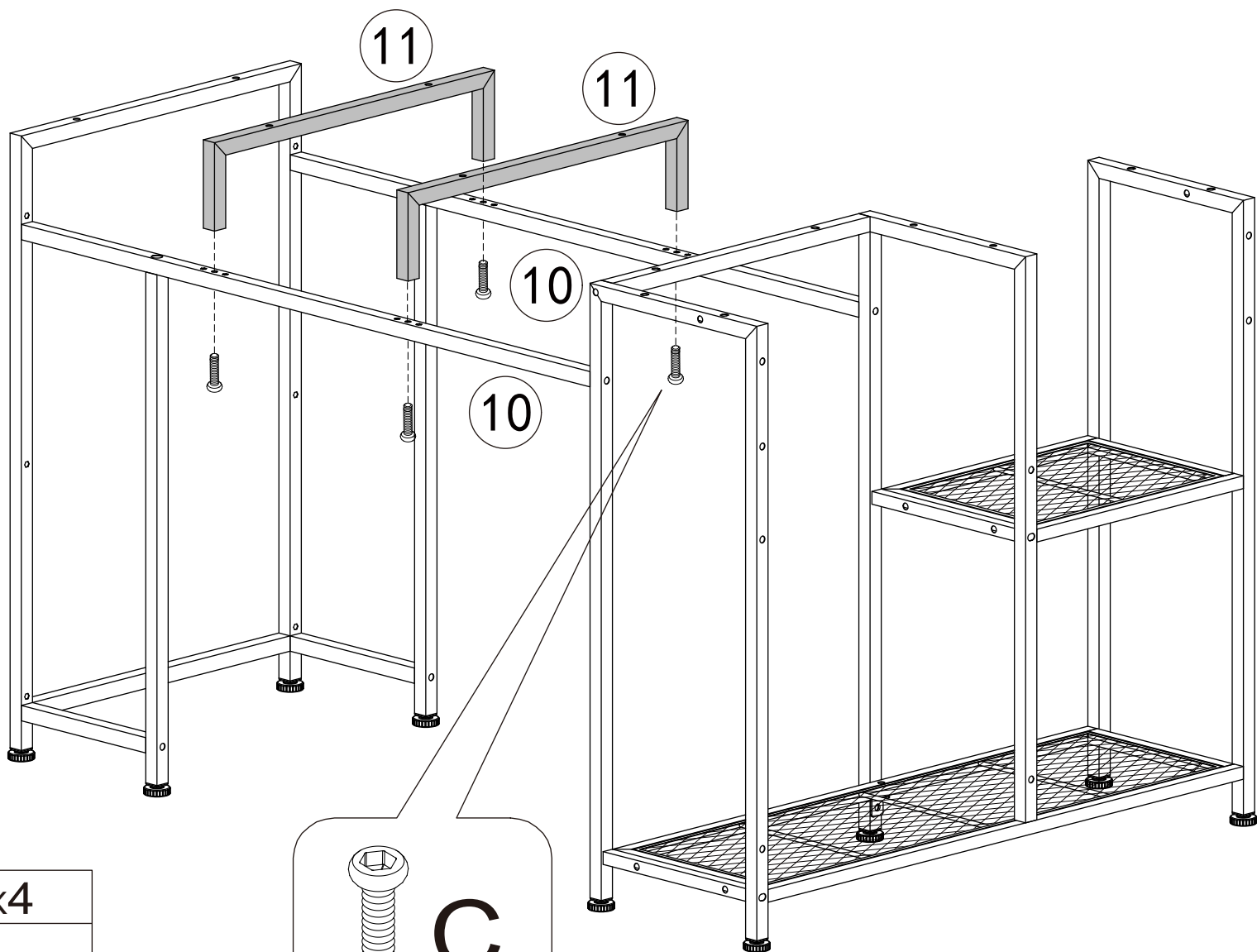
R-9

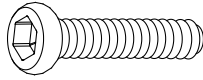


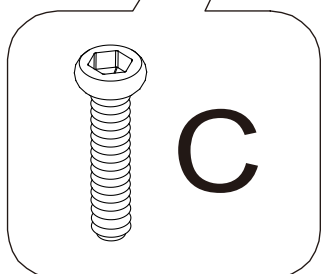
C	x2
	
M6x25MM	



R-10

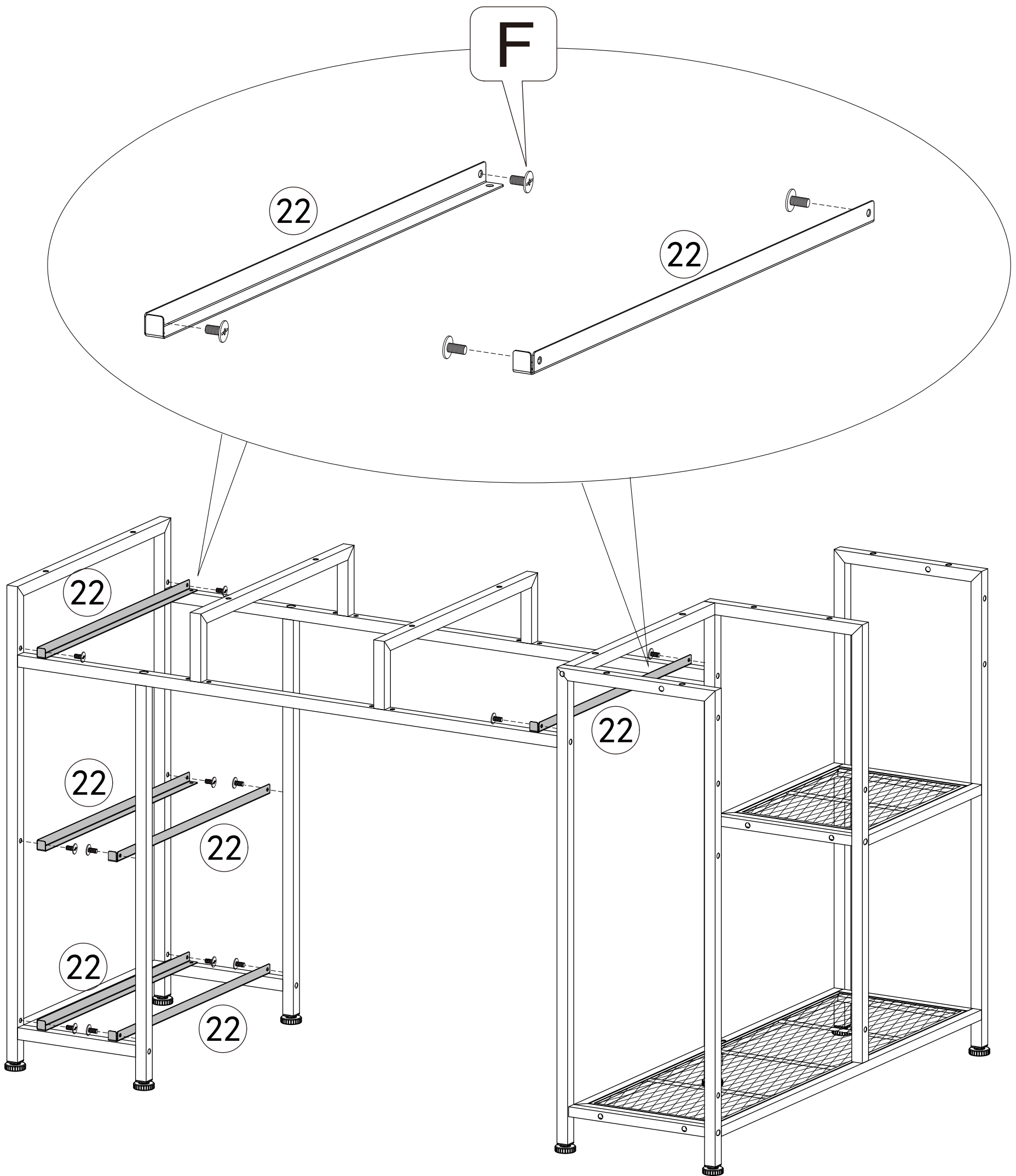


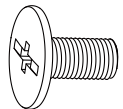
C	x4
	
M6x25MM	



ASSEMBLY INSTRUCTION

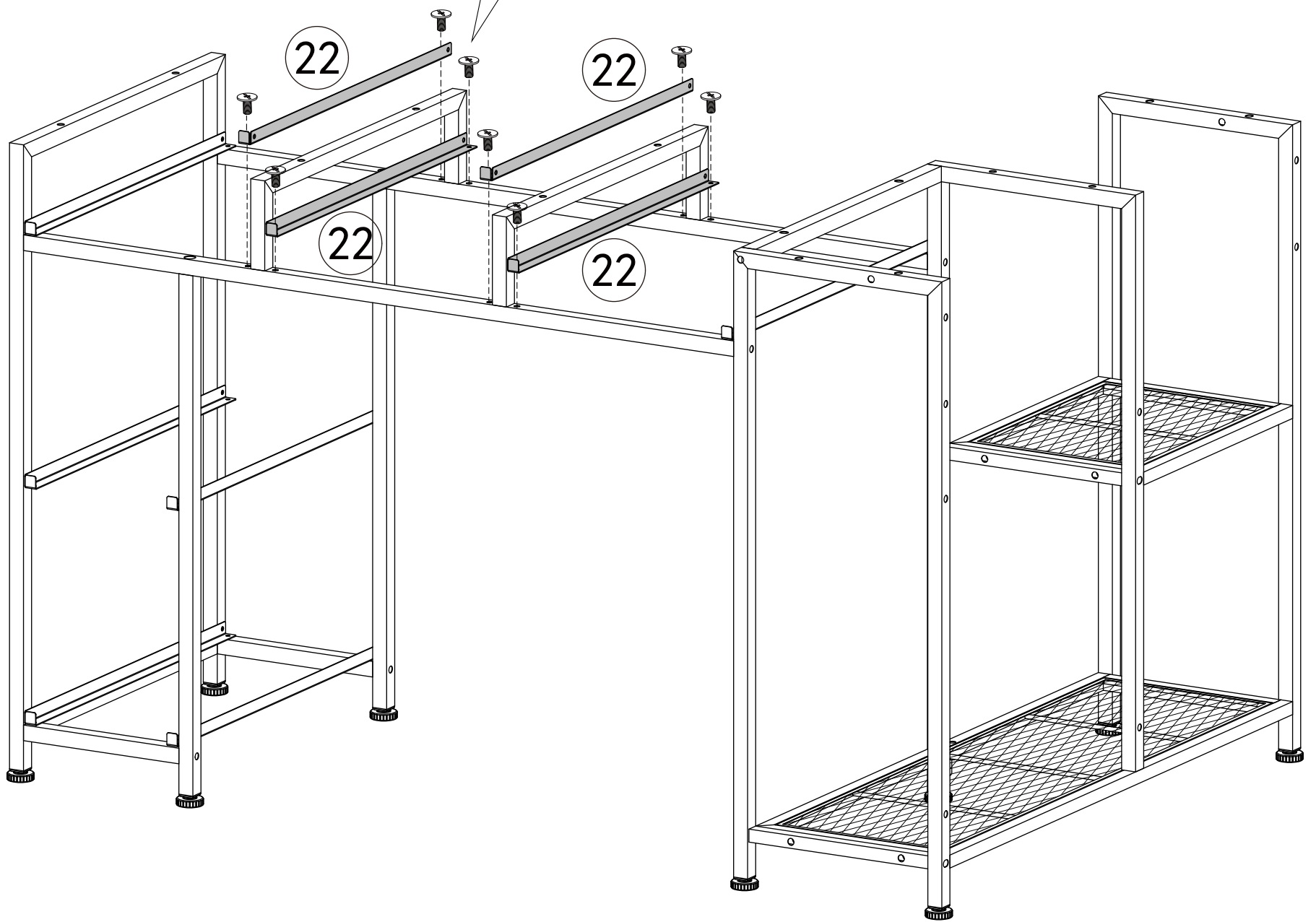
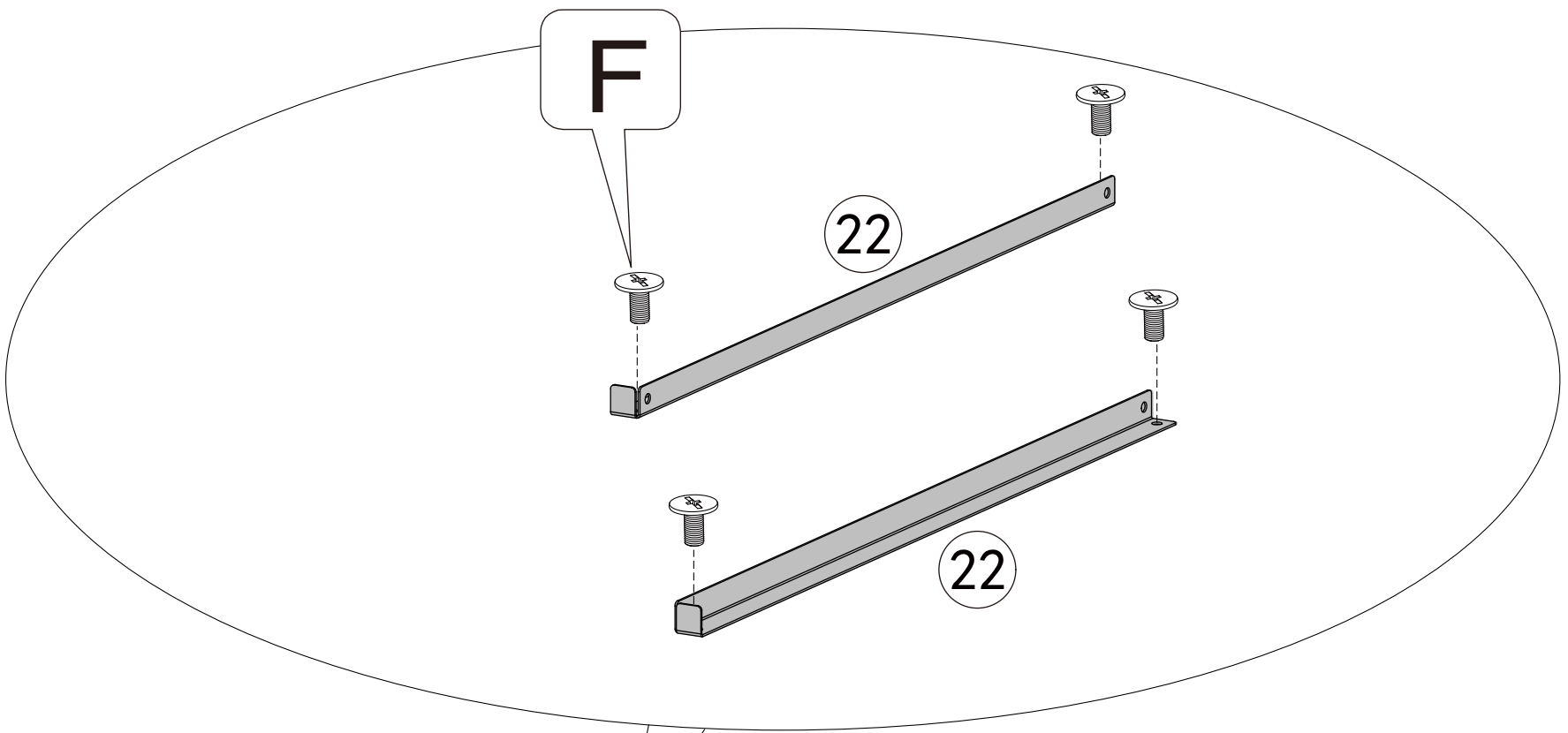
R-11

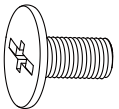


F	x12
	
M4x8MM	

ASSEMBLY INSTRUCTION

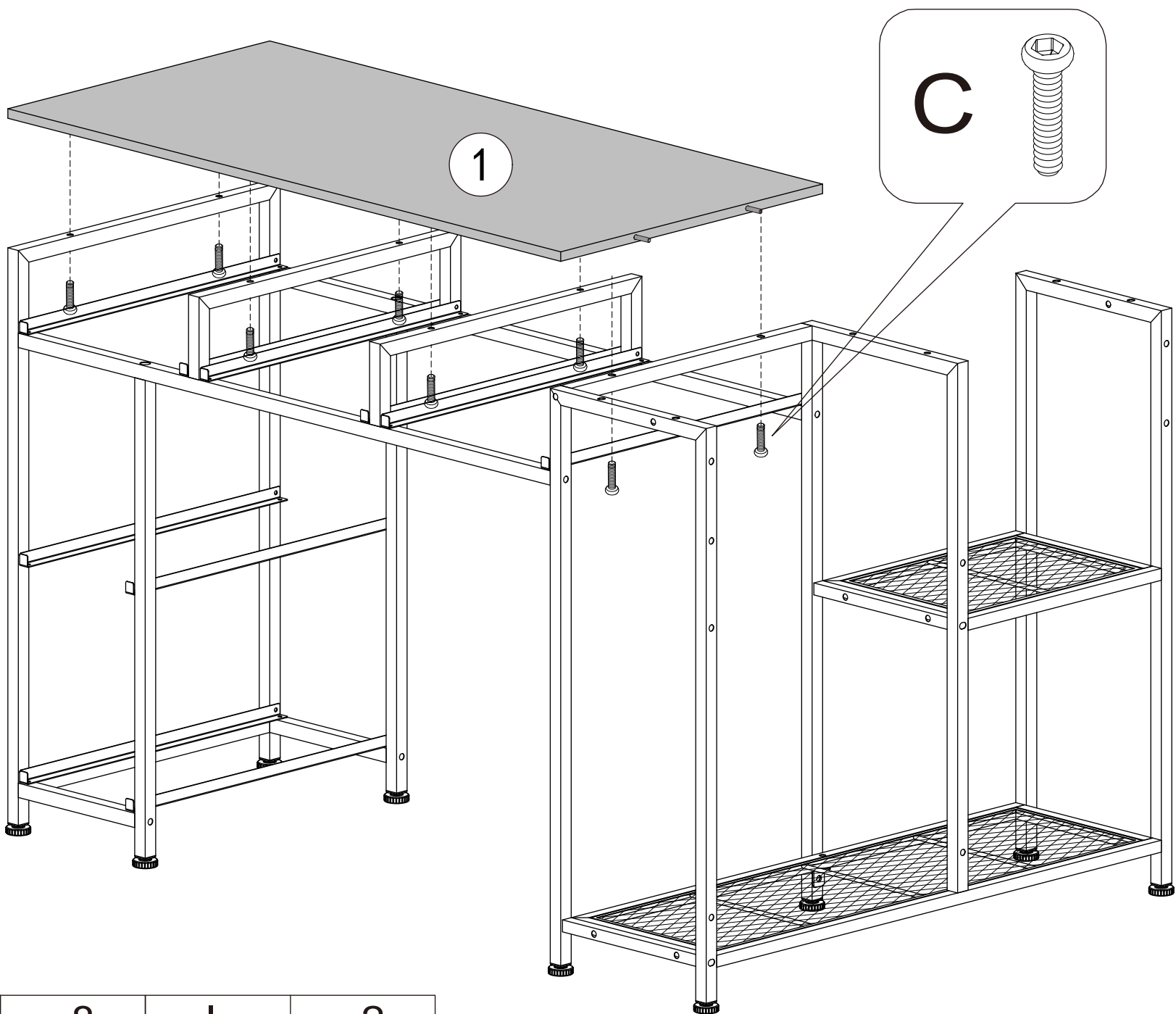
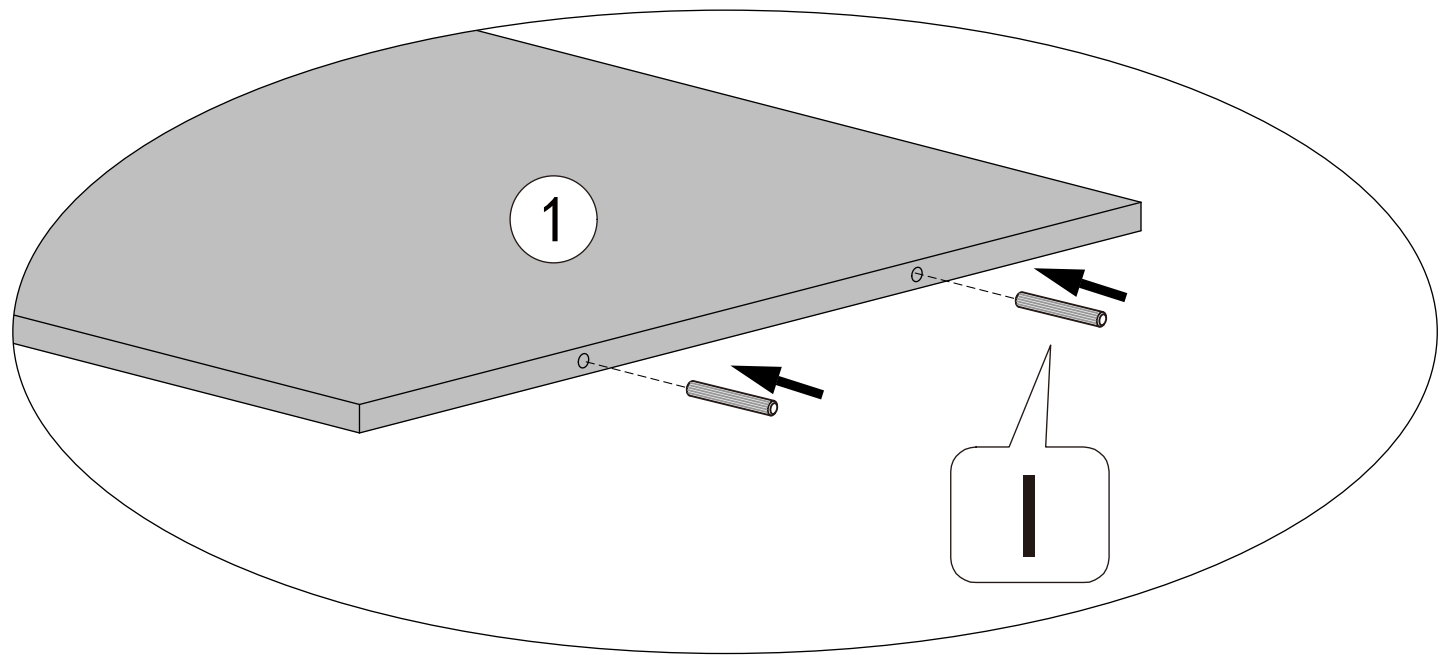
R-12

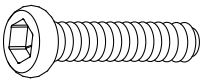



F	x8
	
M4x8MM	

ASSEMBLY INSTRUCTION

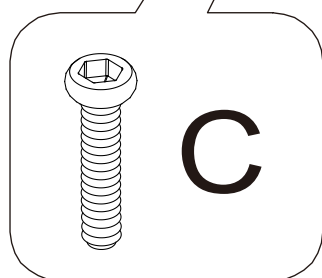
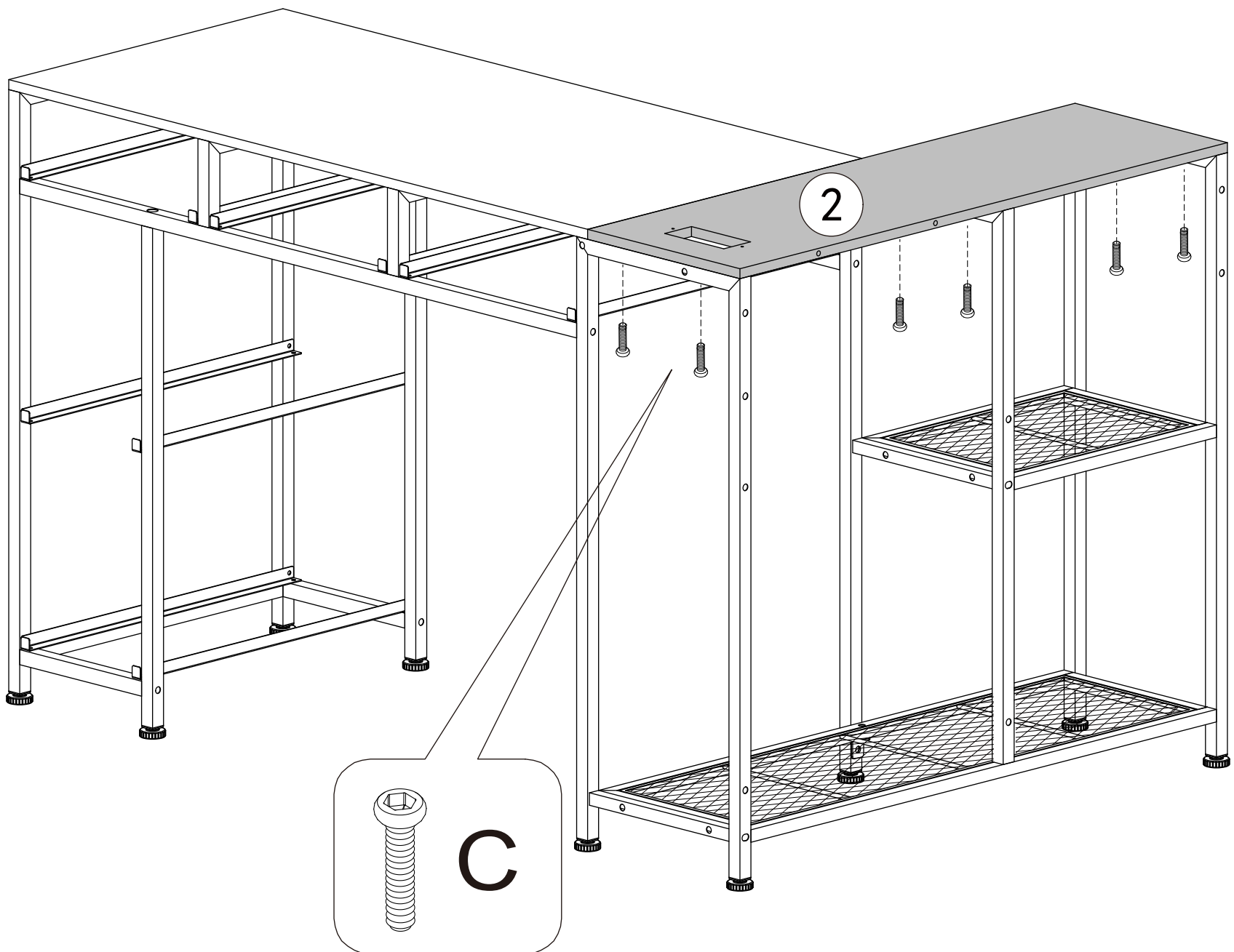
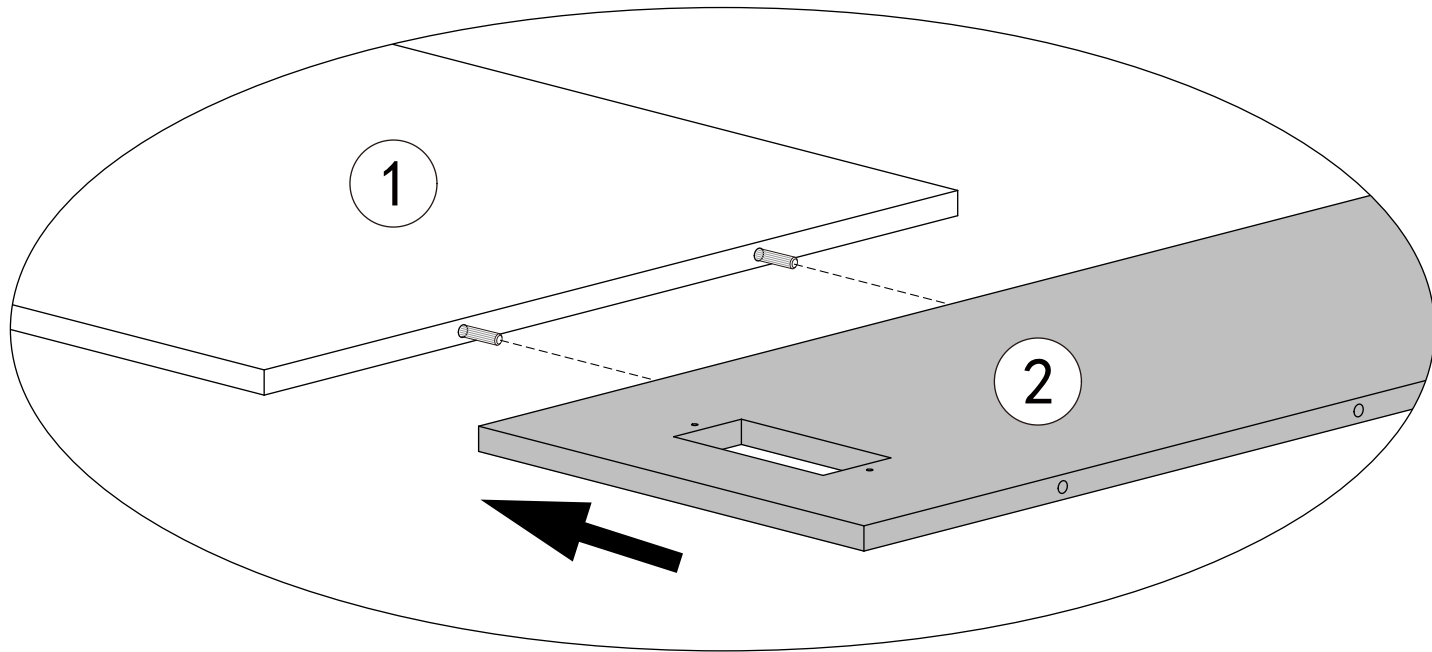
R-13

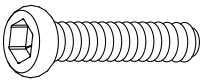


C	x8	I	x2
			
M6x25MM		Ø6x40MM	

ASSEMBLY INSTRUCTION

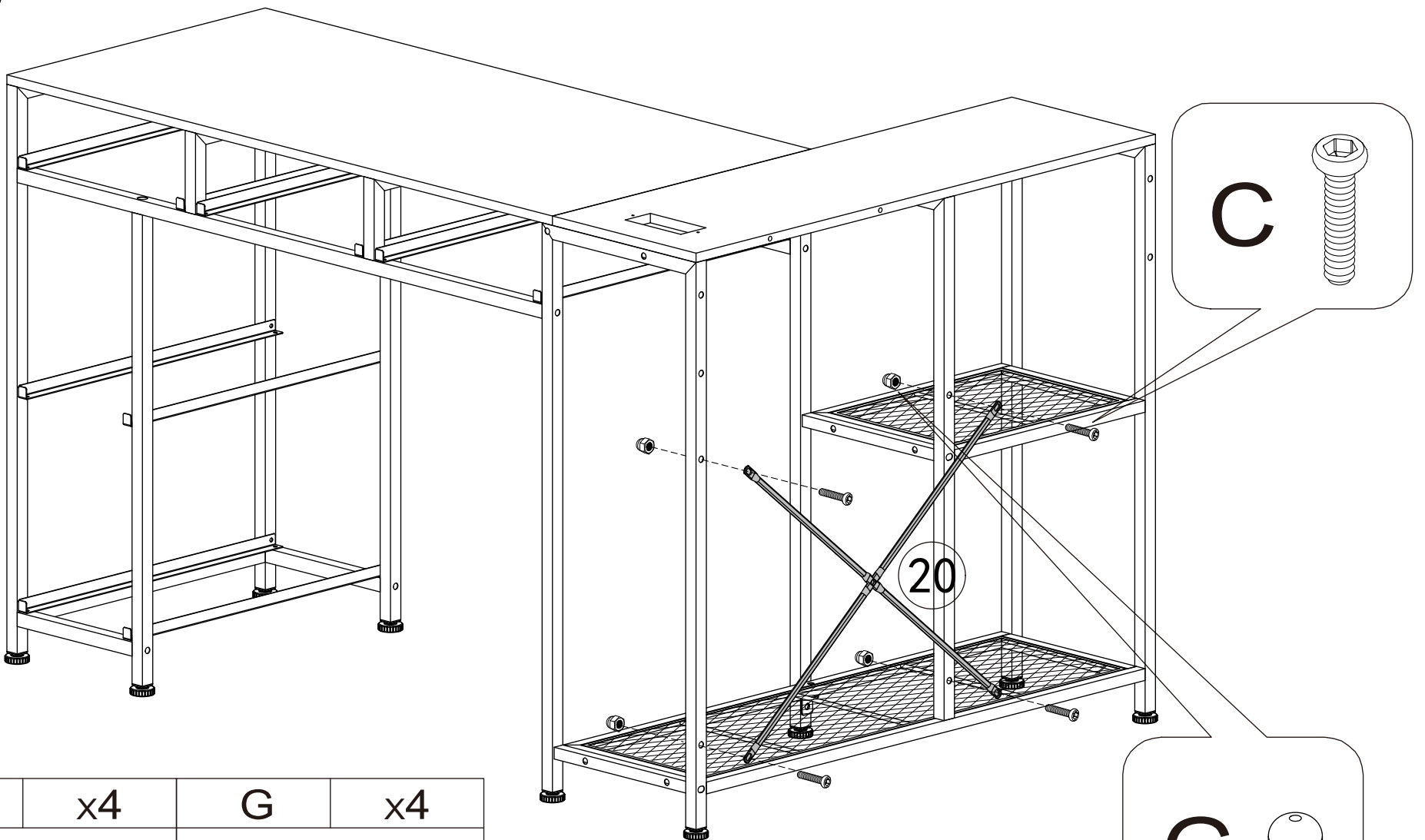
R-14

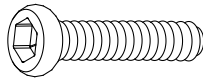



C	x6
	
M6x25MM	

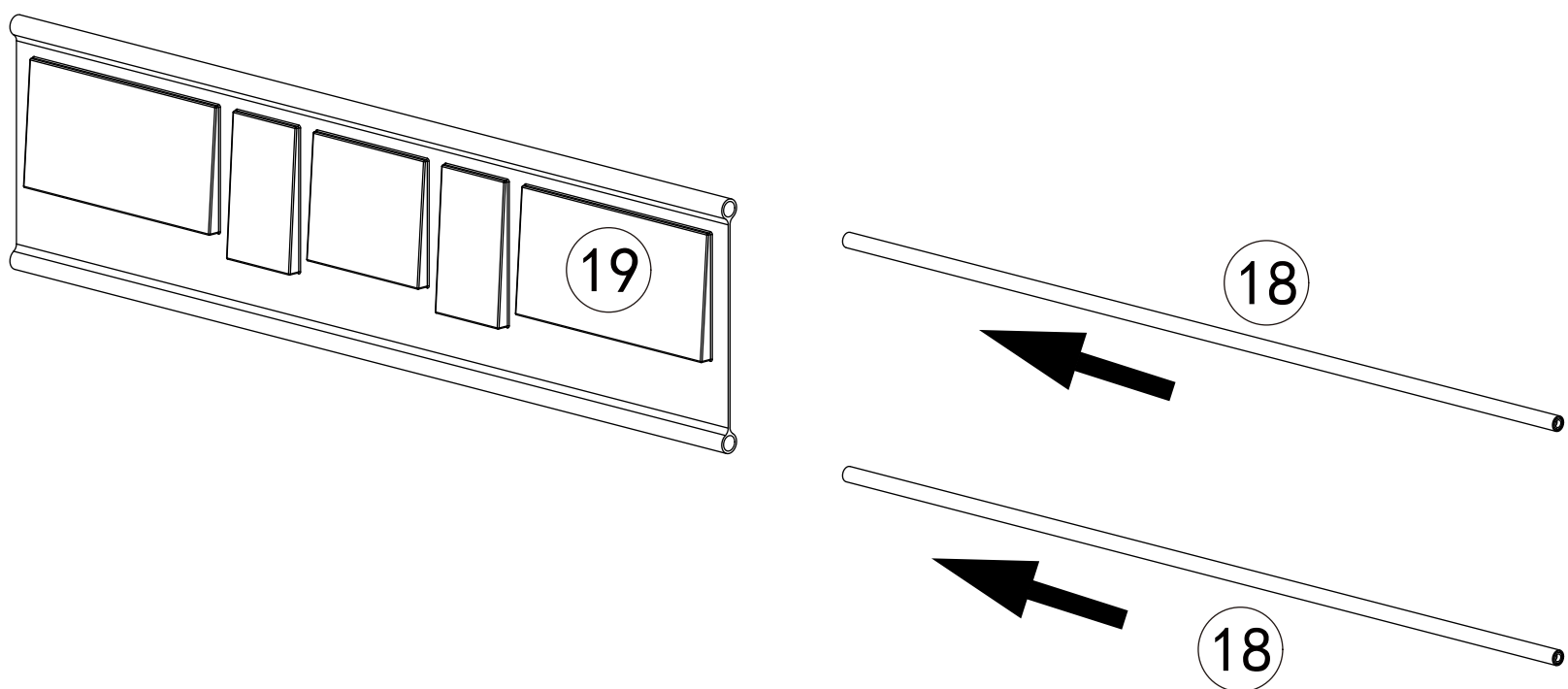
ASSEMBLY INSTRUCTION

R-15



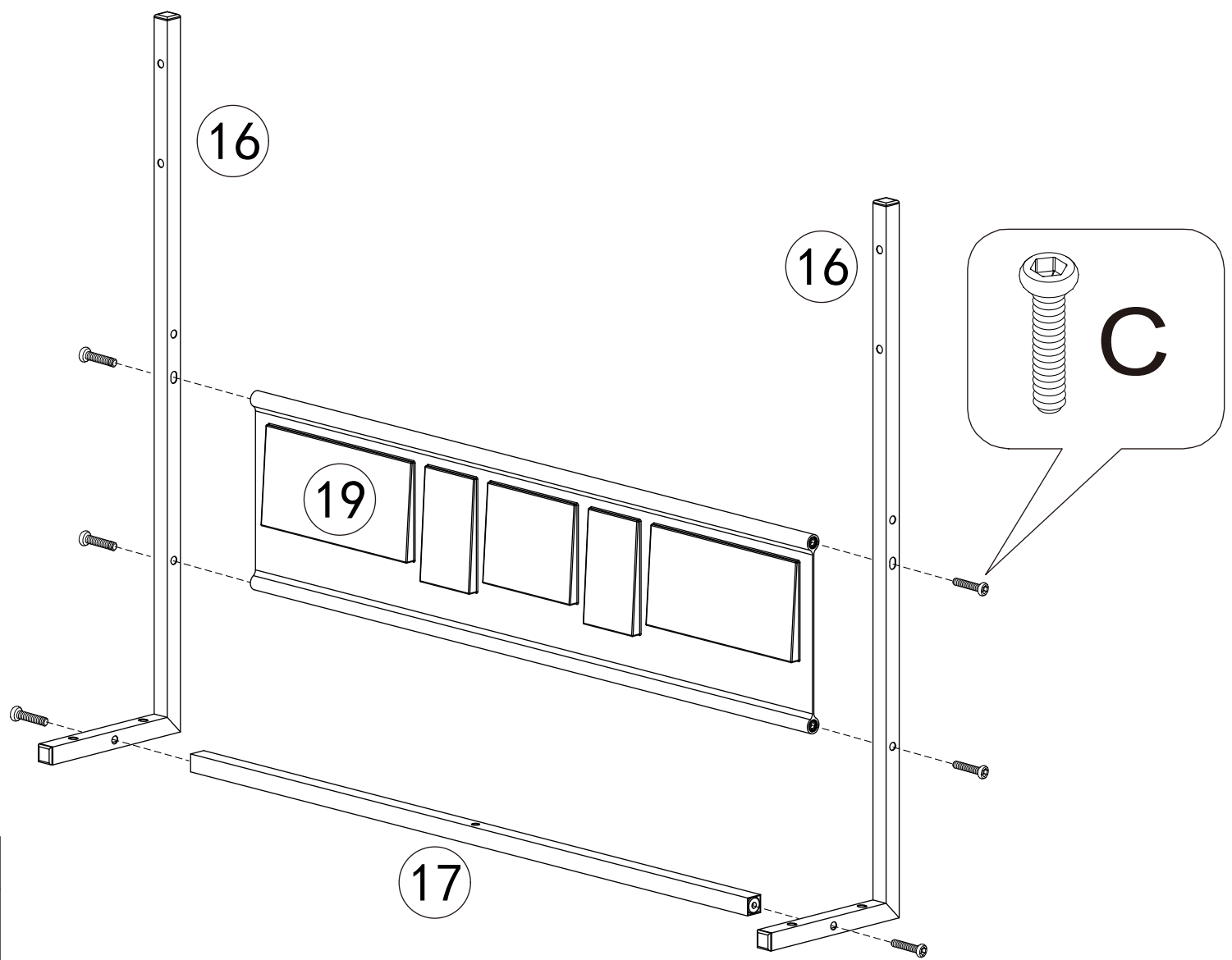
C	x4	G	x4
			
M6x25MM		M6	

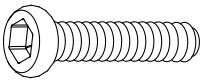
R-16



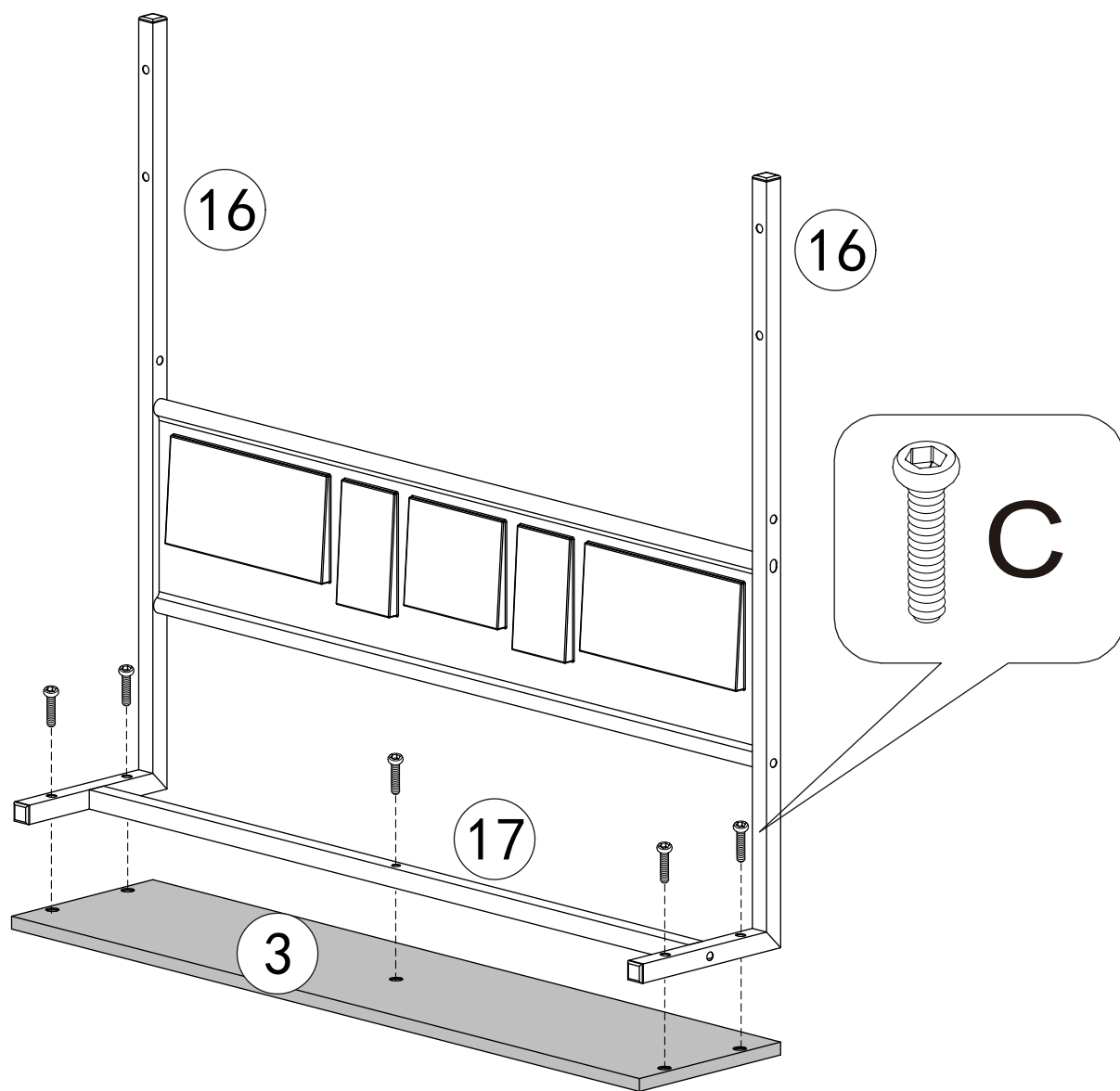
ASSEMBLY INSTRUCTION

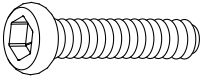
R-17



C	x6
	
M6x25MM	

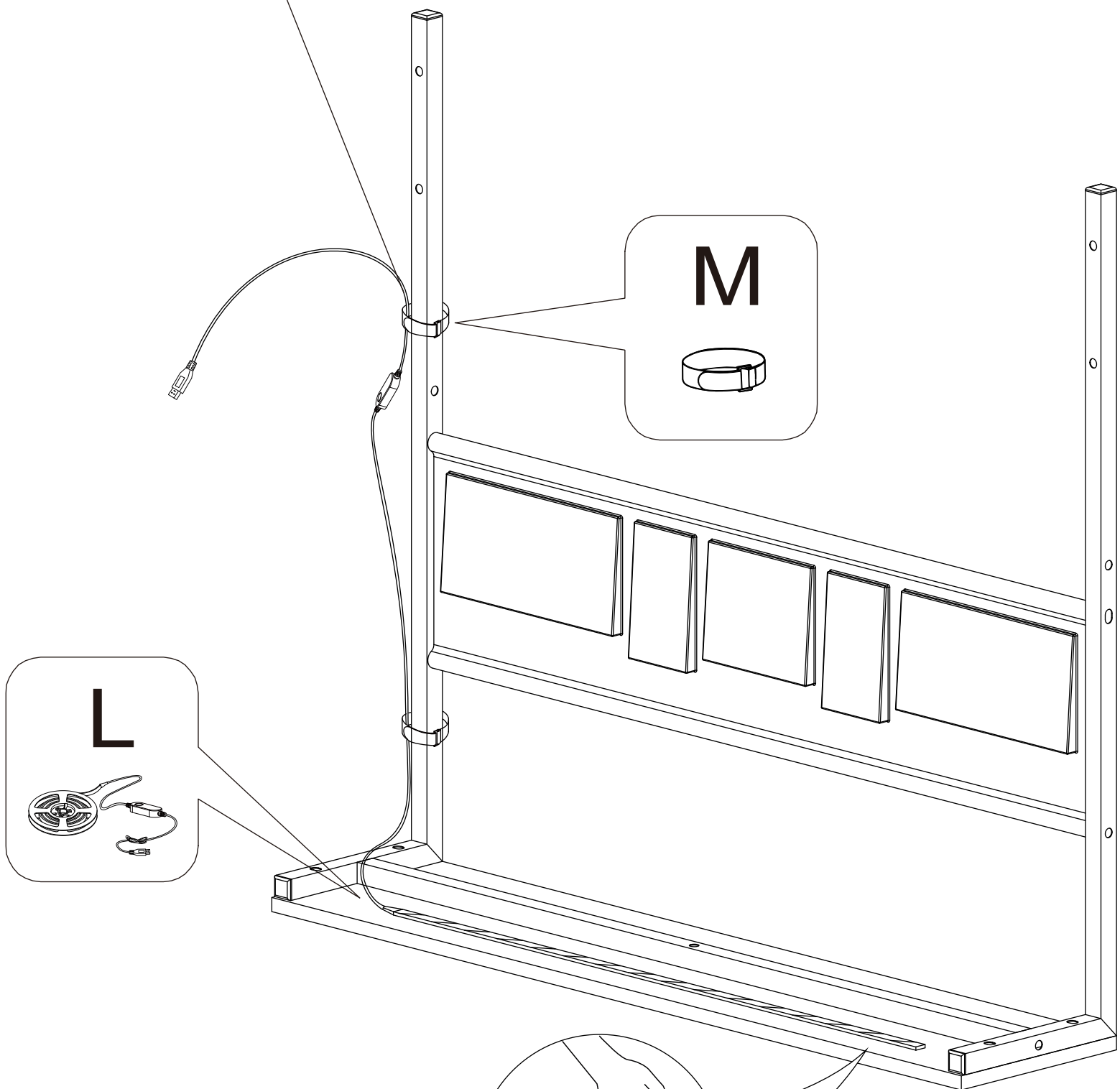
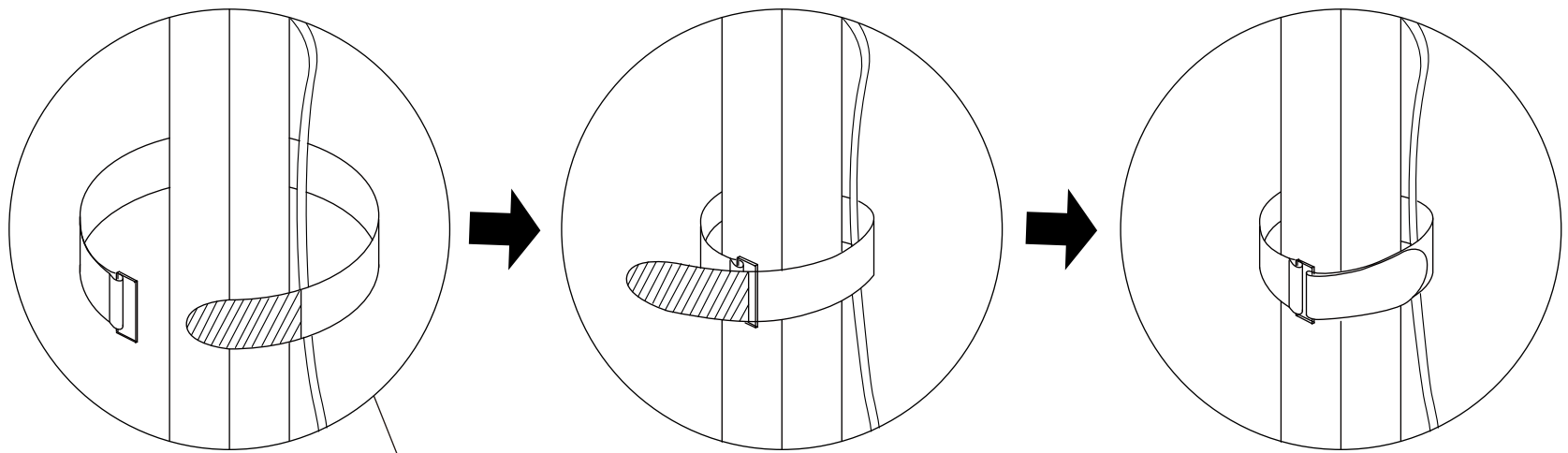
R-18

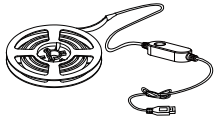
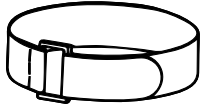


C	x5
	
M6x25MM	

ASSEMBLY INSTRUCTION

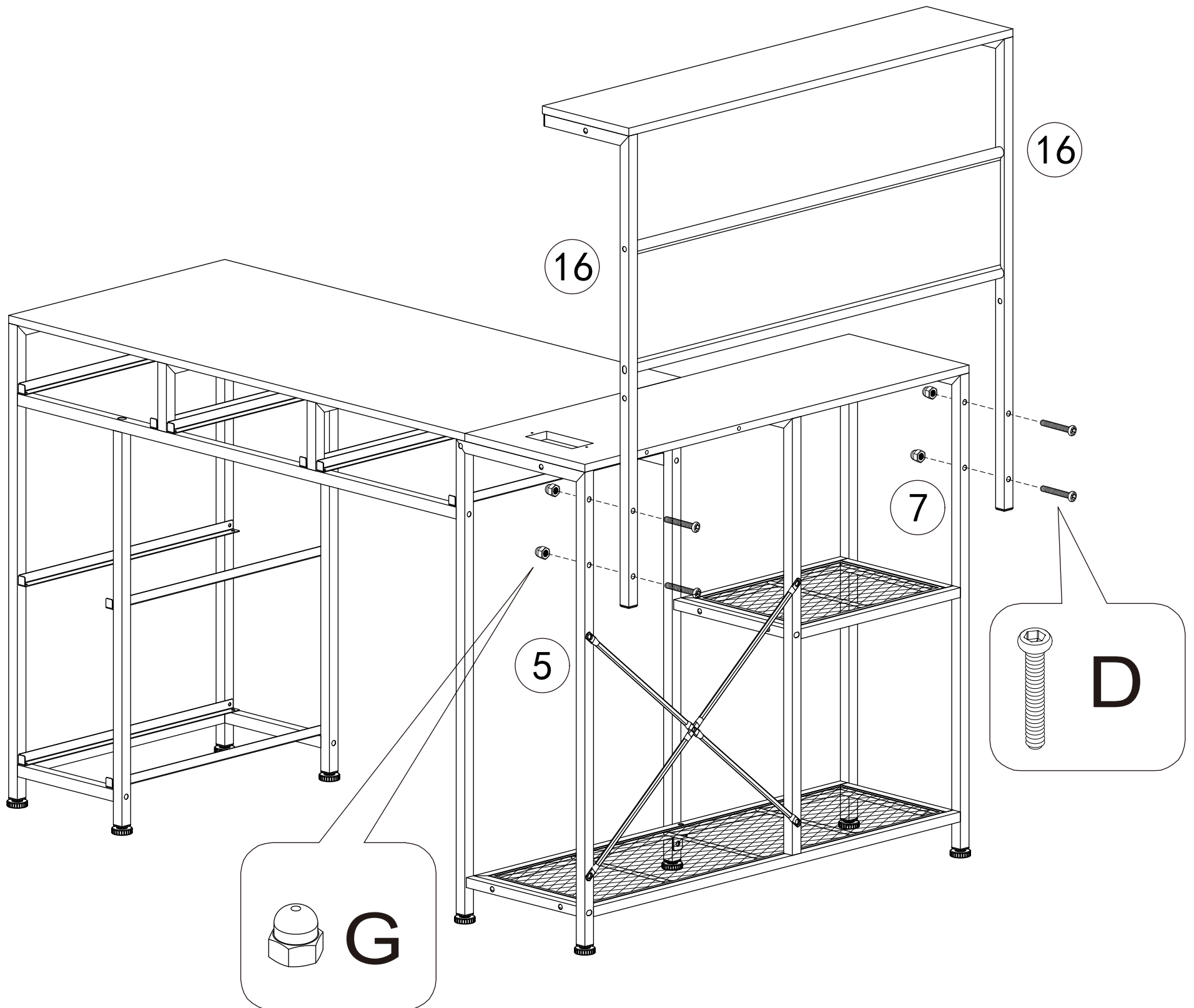
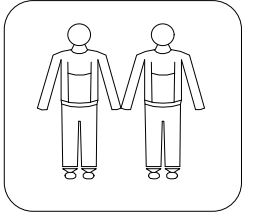
R-19

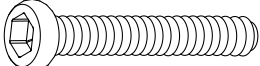
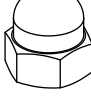


L	x1	M	x2
			

ASSEMBLY INSTRUCTION

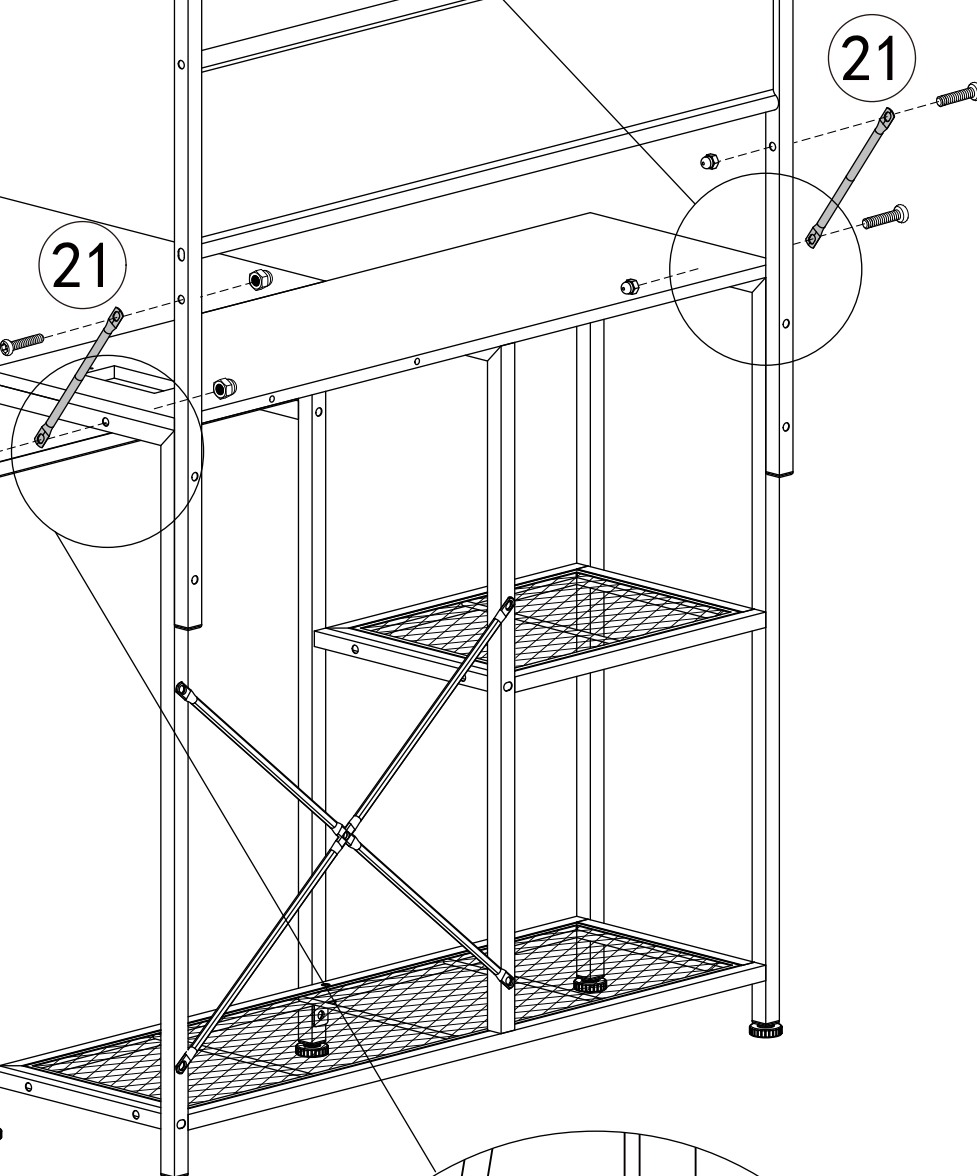
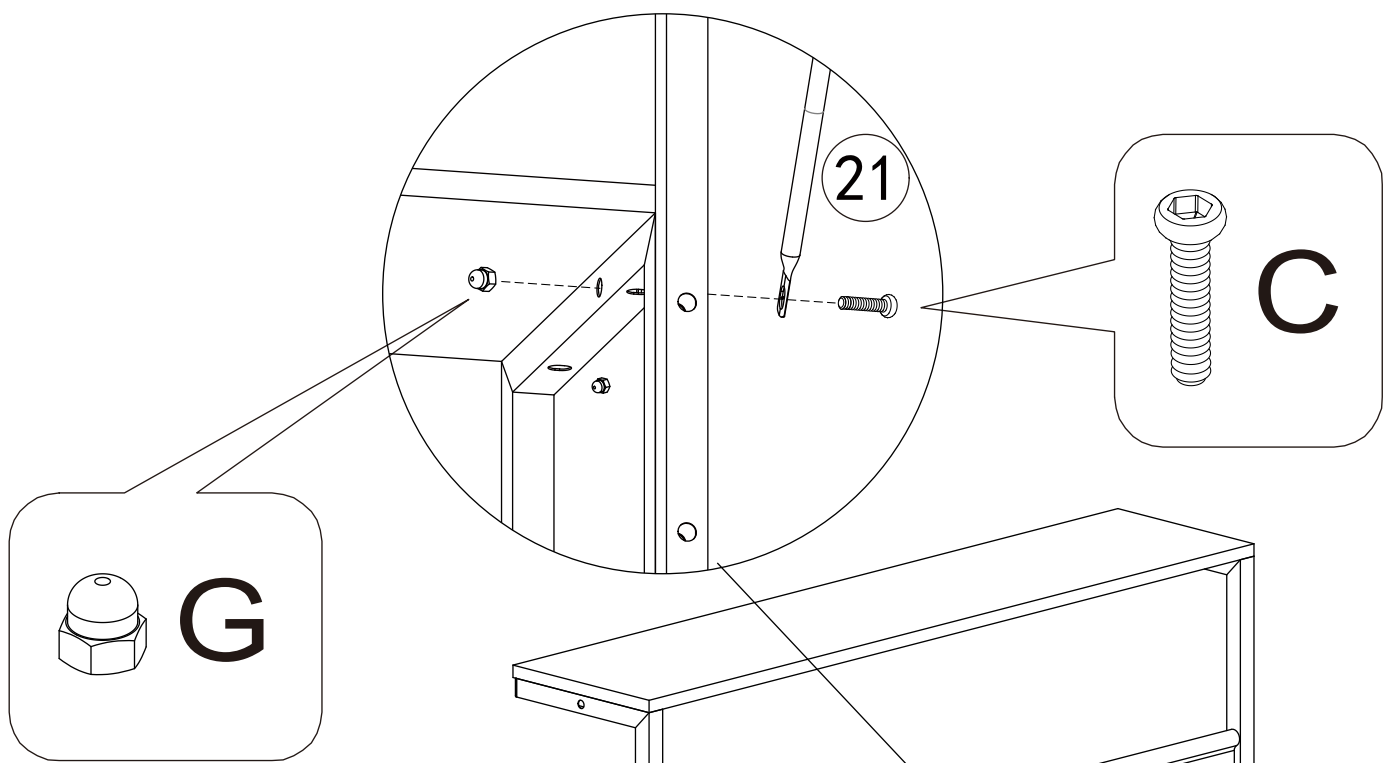
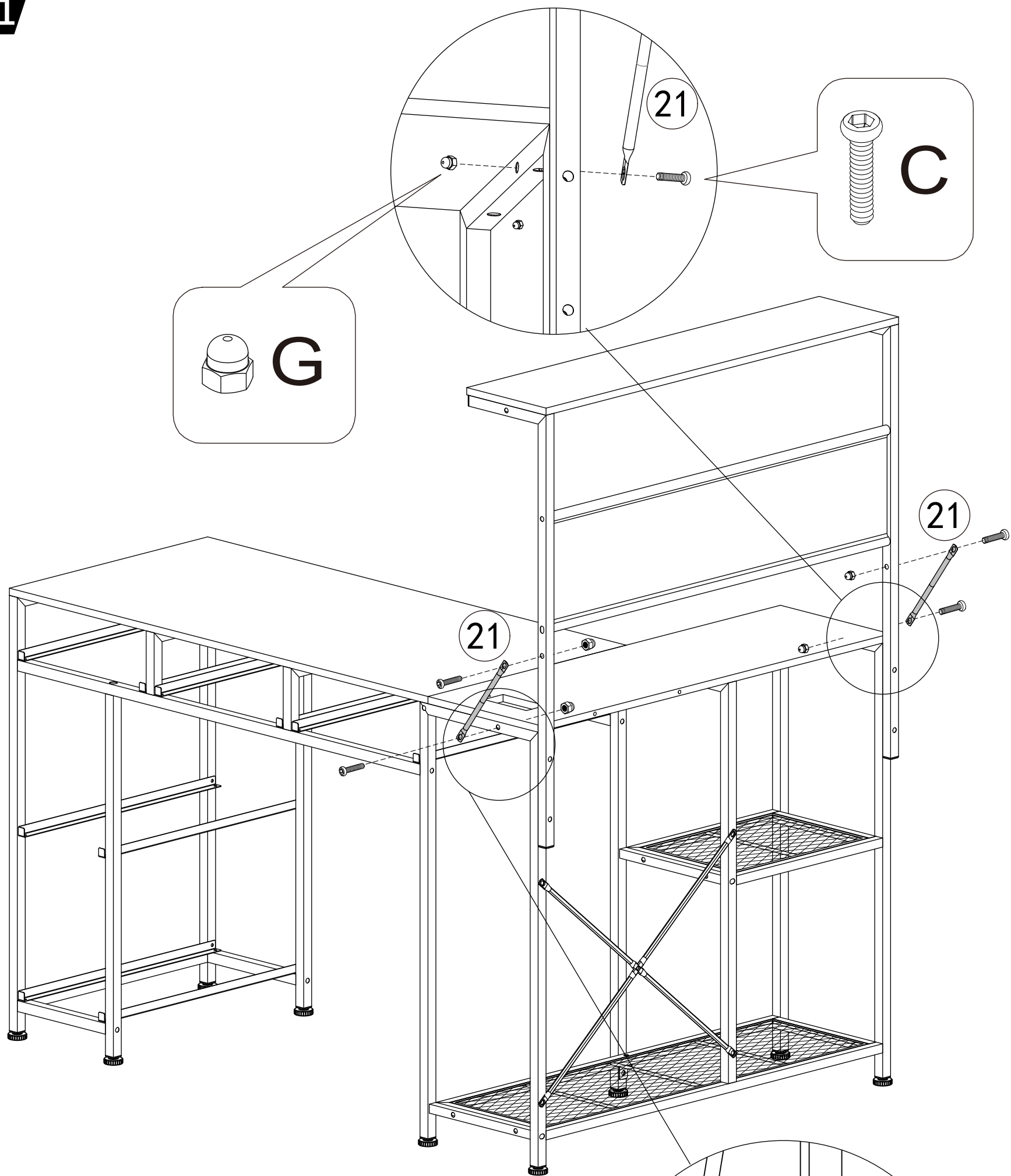
R-20

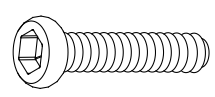
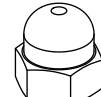


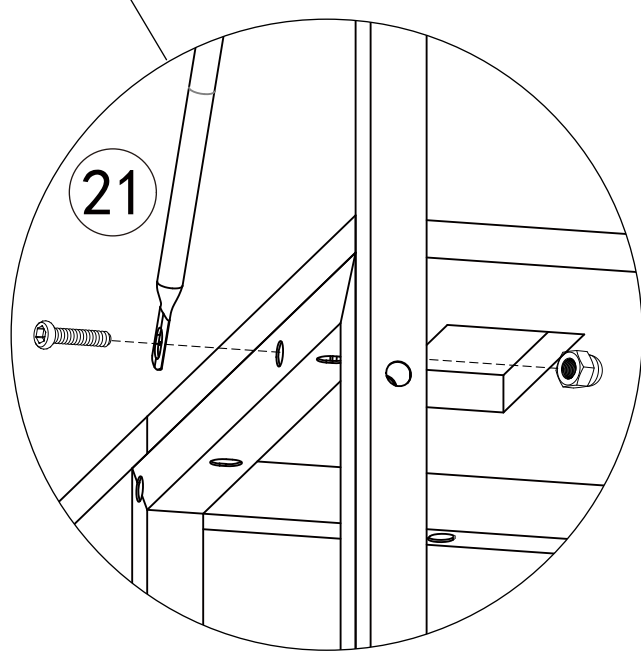
D	x4	G	x4
			
M6x40MM		M6	

ASSEMBLY INSTRUCTION

R-21

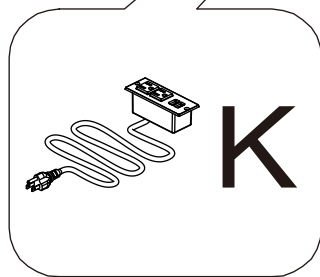
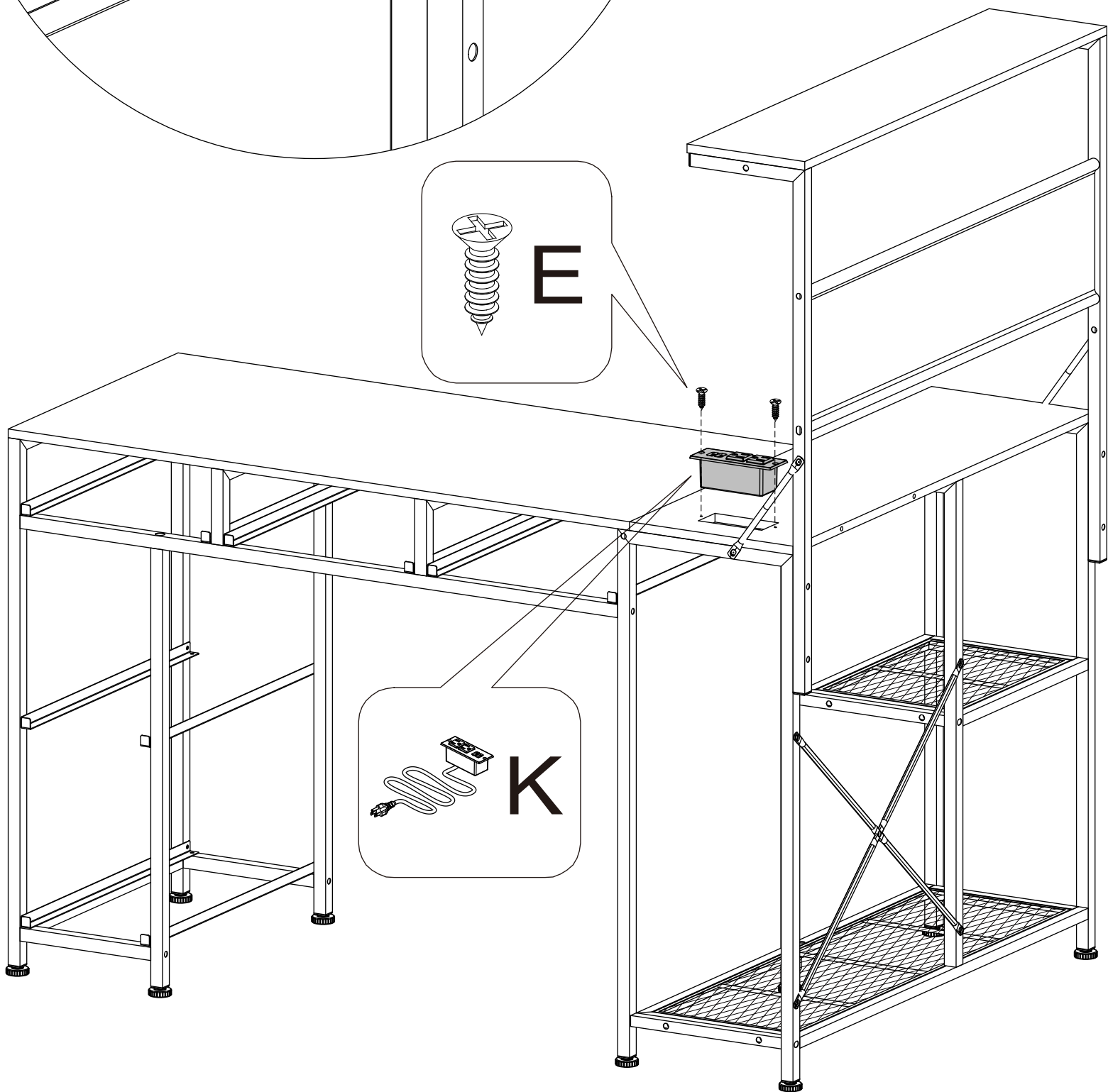
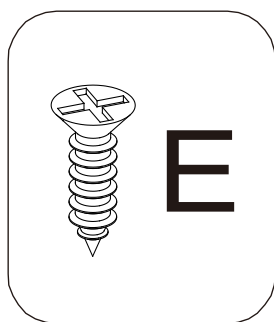
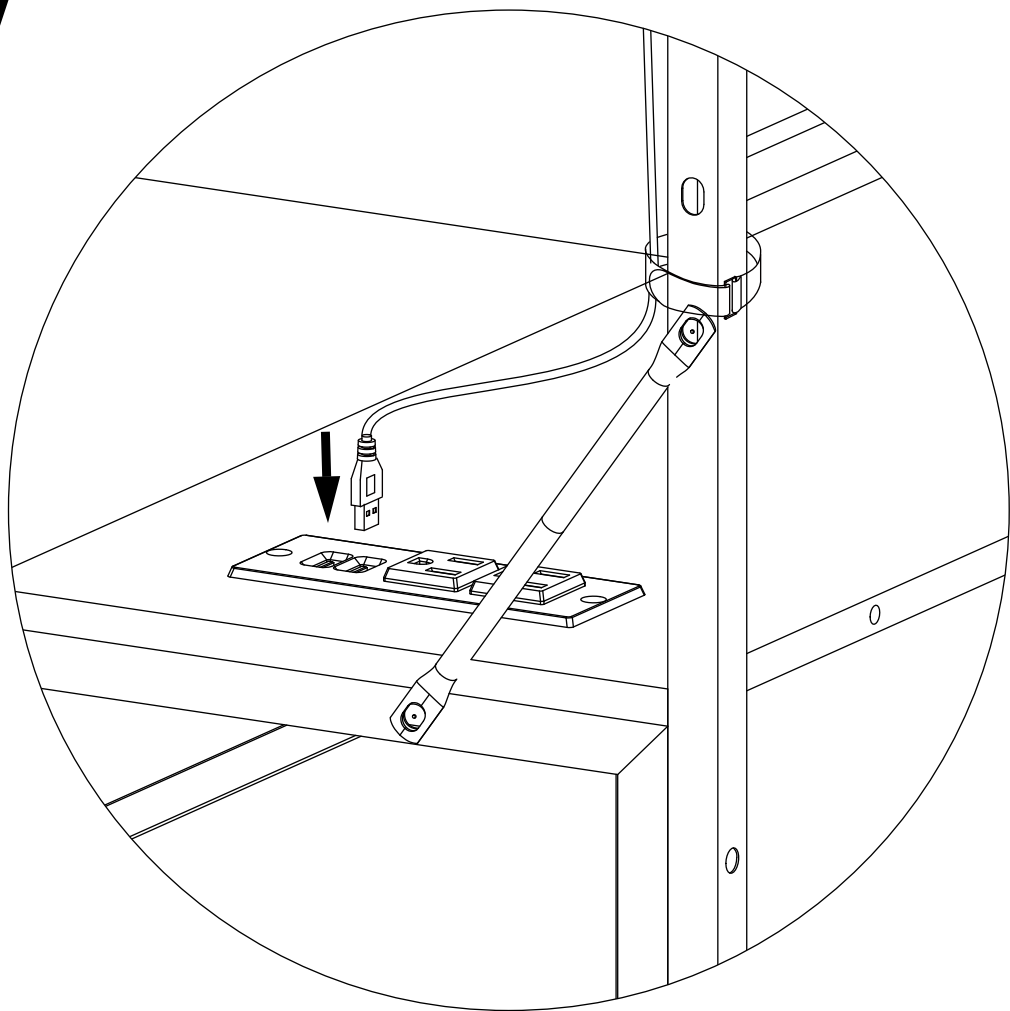


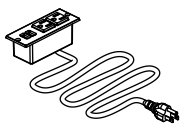
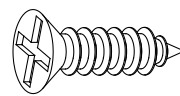
C	x4	G	x4
			
M6x25MM		M6	



ASSEMBLY INSTRUCTION

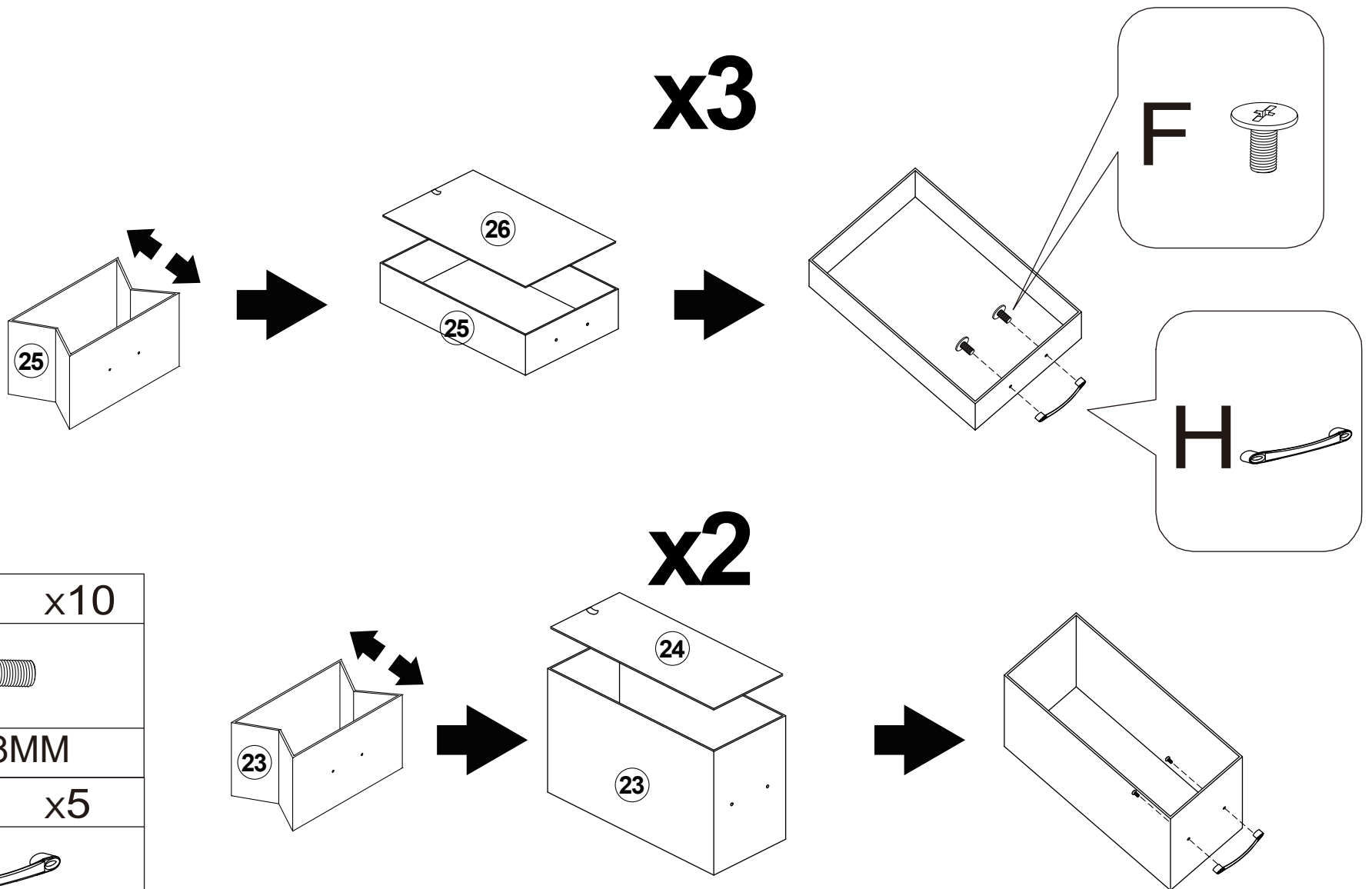
R-22

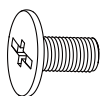



K	x1	E	x2
			
		ST4x10MM	

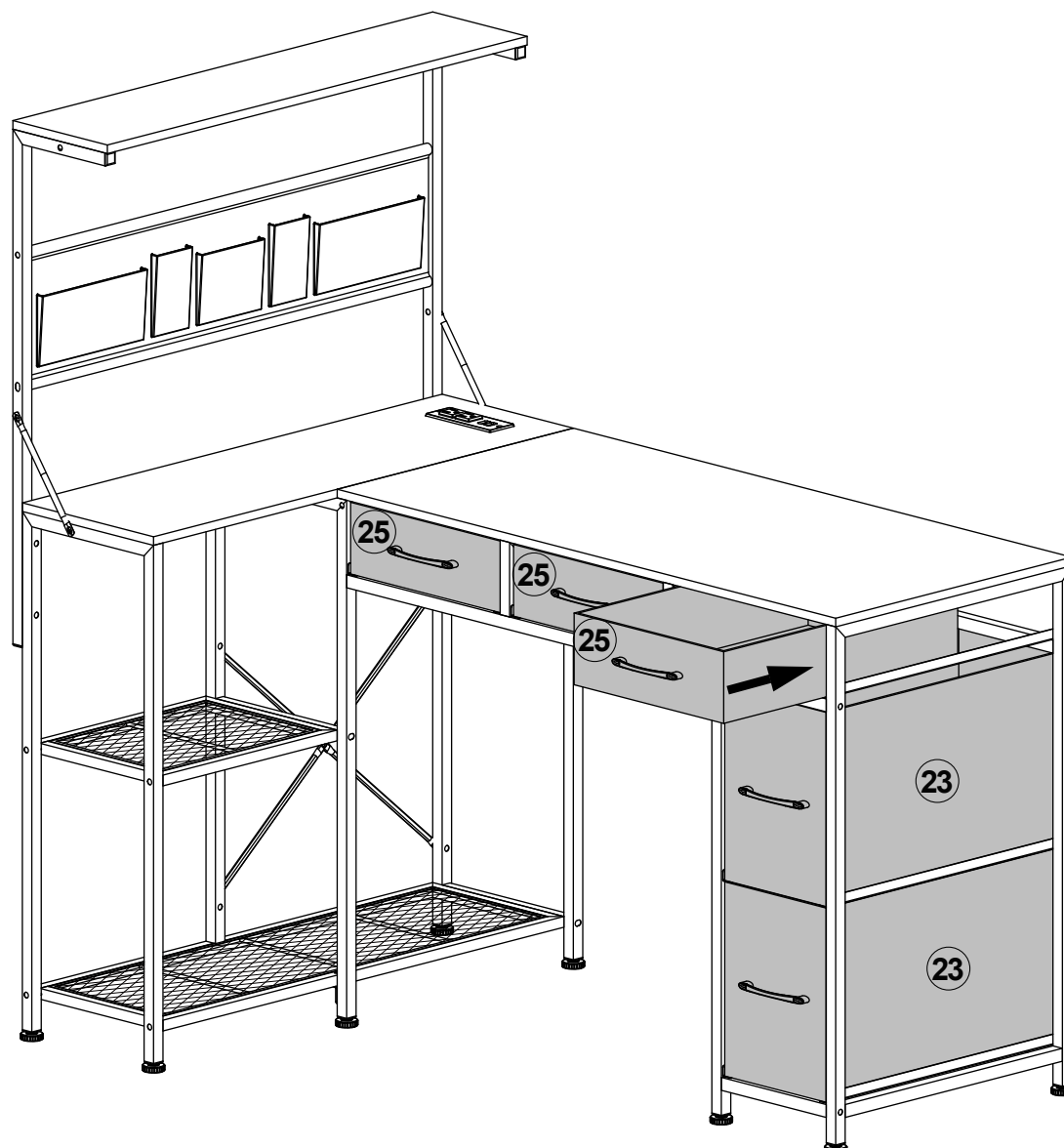
ASSEMBLY INSTRUCTION

R-23



F	x10
	
M4x8MM	
H	x5
	

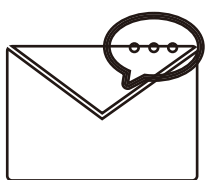
R-24





3-years Warranty

We guarantee your product is free from defects in product material and workmanship for three(3) years starting from the date of purchase during normal use of household conditions. If your appliance fails to operate properly within our warranty period, We will send the corresponding accessories, Replacement is free and all shipping costs are covered.



Quick Response within 24 Hours

If you are still unable to resolve the issue you are experiencing, please contact us immediately via our support email. It doesn't matter if the product has been installed or not, our customer support team will respond within 24 hours and assist you quickly and efficiently. The most efficient way to confirm your problem to us is to attach a video, which illustrates your product issues.

Problems You May Encounter

PART	PROBLEM	SOLUTION
whole Product	Parts are missing, defective or having wrong parts in package.	You can contact us and we will get back to you within 24 hours
	Having issue(s) while reading the instruction or completing the assembly.	Feel free to contact us and we will get back to you within 24 hours.
	Encountering non-human caused damage during usage.	If the product is damaged due to non-human causes, please keep the product and send us photos of it. We will ascertain the cause of the product damage within 48 hours and provide you with a satisfactory solution.
Table Surface	Board Surface is broken, scratched or lack of some screw holes.	Feel free to contact us and we will get back to you within 24 hours.
	The screw holes on the wooden board and other wooden boards are not aligned.	<ol style="list-style-type: none"> 1. Please tighten the screws on the board by 70%, do not tighten completely. 2. Adjust the wooden board and board. Until the holes are arranged neatly, then tighten all screws
	Desktop misalignment and unevenness	<ol style="list-style-type: none"> 1. Please tighten the screws connecting the table board to the elevator by 70%, do not tighten them completely. 2. Adjust to a flat and aligned desktop, then tighten the screws. 3. If your problem still can't be solved, please feel free to contact us.
Metal accessories	Metal accessories are damaged, rusted, bent, and broken.	Feel free to contact us and we will get back to you within 24 hours.
	The table is unstable after being assembled.	<ol style="list-style-type: none"> 1. Check if the screws are tightened. 2. Read throughout the manual, check are there any parts installed incorrectly or missing assembled. 3. If your problem still can't be solved, please feel free to contact us.
	Encountering non-human caused damage during usage.	If the product is damaged due to non-human causes, please keep the product and send us photos of it. We will ascertain the cause of the product damage within 48 hours and provide you with a satisfactory solution.