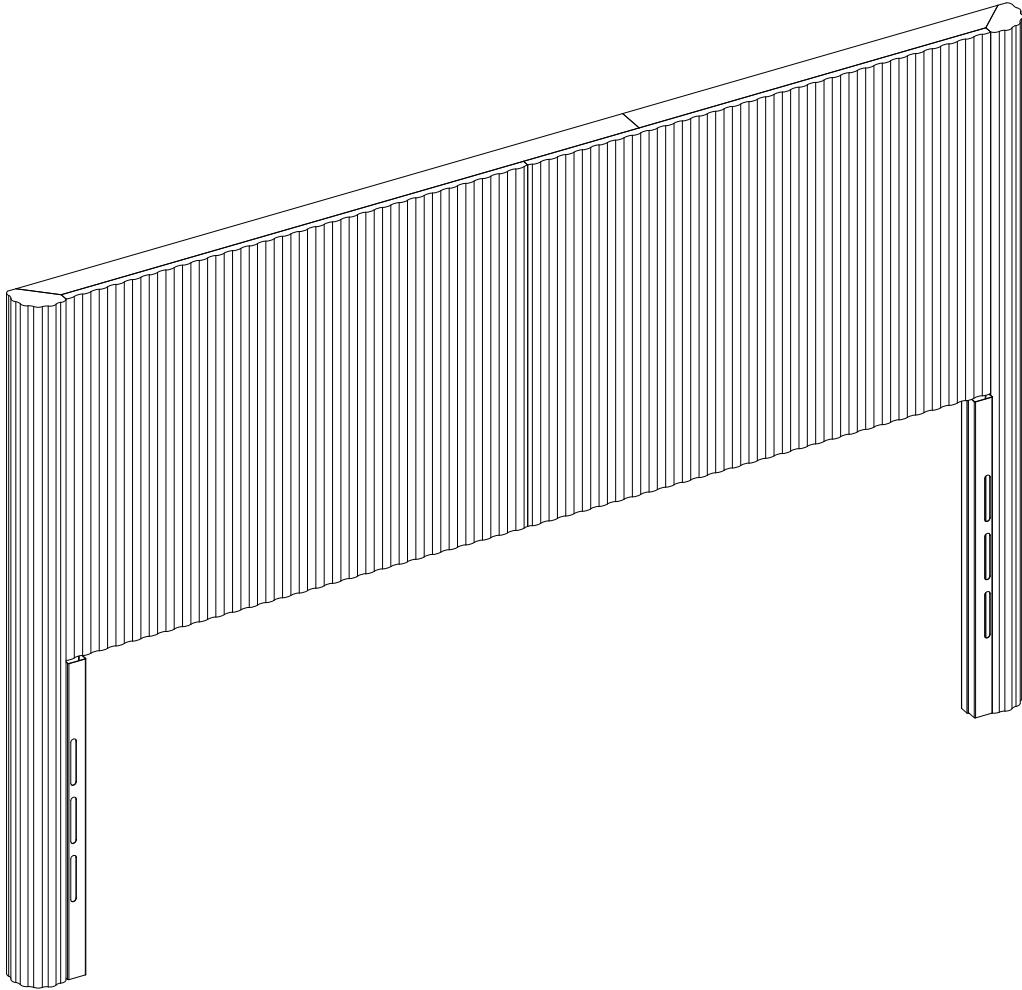
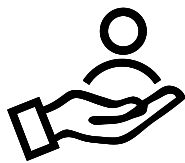


Assembly Instructions

BED186AQ



“



Warm Reminder

If you experience any issues with our product (including missing parts, damage, or not meeting expectations), please contact us. We'll ensure satisfactory assistance within 24 hours.

”

General Guidelines

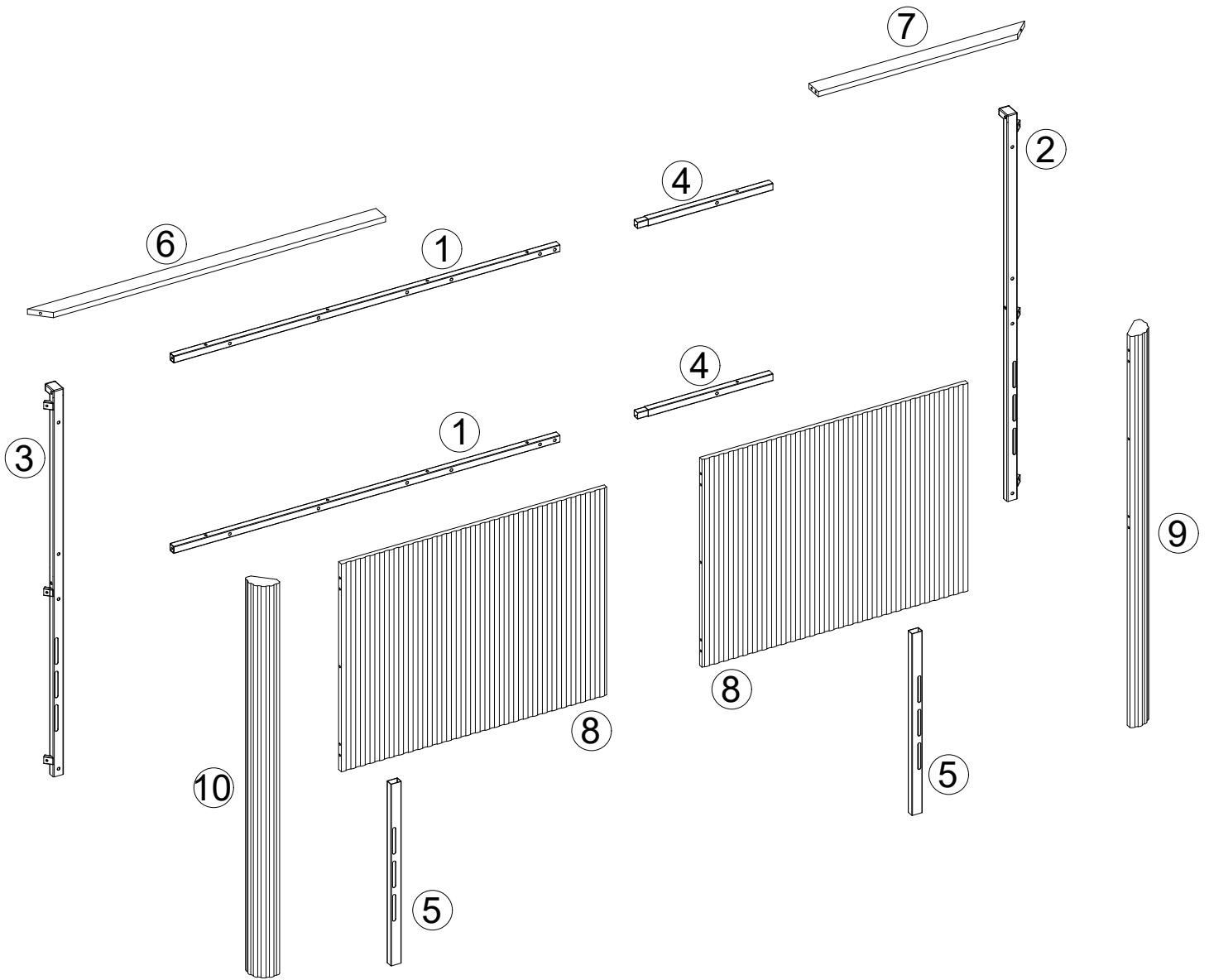
- Please read the following instruction carefully and use the product accordingly.
- Please keep this manual and hand it over when you transfer the product.
- This summary may not include every detail of all variations and considered steps. Please contact us when further information and help are needed.

Notes

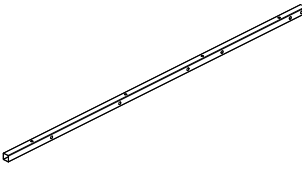


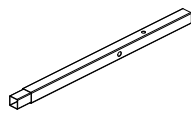

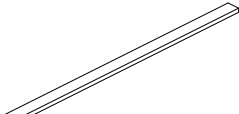

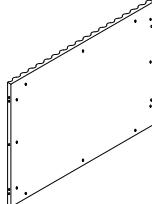


- The product is intended for indoor use only. The product must be assembled and used in accordance with the provisions of the manual. Personal injury and/or damage to product may occur if products are used outside of their intended purposes and/or if products have been changed/modified from their original design. The seller does not assume any responsibility or liability with respect to any injury/damage caused by incorrect assembly or improper use.
- Avoid long-term exposure to humid environments to prevent mildew.
- Keep the product away from fire sources and high temperatures. Do not expose the product to direct sunlight.
- Do not place any hot objects on the surface of the product.
- If there are any defective or missing parts after unpacking, please cease assembly immediately and contact us.
- Please assemble the item on a spacious surface and do not place the unwrapped product directly on the ground to avoid product damage.
- Please do not stand or sit on the wooden boards.
- Please wear gloves during the assembly and/or disassembly process to avoid scratches from any sharp edges.
- Please match the corresponding part and fitting based on the part number in the manual.
- If the part does not match with the fitting, please check the piece as specified in this manual.
- During assembly, first loosely align all screws with the corresponding pre-drilled holes and then tighten the screws one by one.
- Periodically inspect screw tightness while the product is in use. If necessary, retighten to ensure structural integrity.
- If you accidentally spill water or another liquid on the surface, immediately wipe clean with a dry towel.
- Please keep the product away from sharp, pointed objects and corrosive substances to prevent product damage.
- Please place this item on level, solid ground during use.

Warnings

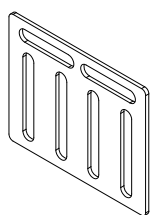
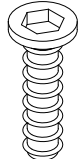
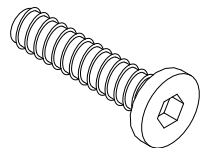
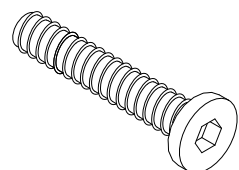
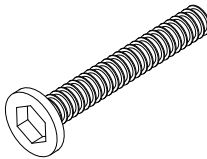
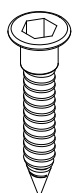
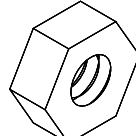

- During assembly, keep all small parts out of the reach of children. It may be fatal if swallowed or inhaled.
- Children should not climb or play on the product in order to avoid tipping over the furniture and causing serious injury.
- To avoid the potential dangers of suffocation, please keep all parts and packaging (film, plastic bags, foam, etc.) away from babies and children.
- Keep sharp objects and corrosive items away from the product to avoid any damage or injury.
- Do not shake or move violently during use to avoid tipping over the product.



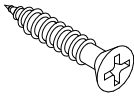
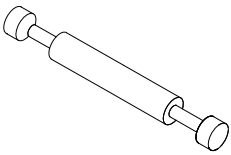
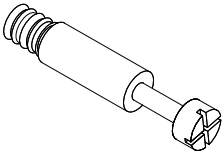
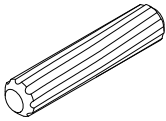
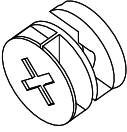
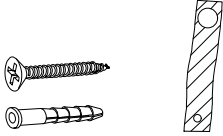
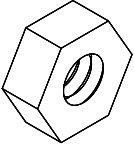
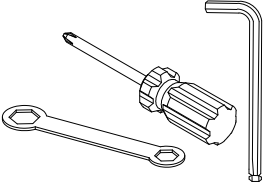
Parts List (EN)

<p>①</p>  <p>2PCS</p>	<p>②</p>  <p>1PC</p>	<p>③</p>  <p>1PC</p>	<p>④</p>  <p>2PCS</p>
<p>⑤</p>  <p>2PCS</p>	<p>⑥</p>  <p>1PC</p>	<p>⑦</p>  <p>1PC</p>	<p>⑧</p>  <p>2PCS</p>
<p>⑨</p>  <p>1PC</p>	<p>⑩</p>  <p>1PC</p>		

Hardware list (EN)

<p>A</p>  <p>2PCS</p>	<p>B</p>  <p>M6*12 2+1PC</p>	<p>C</p>  <p>M6*28 20+2PCS</p>	<p>D</p>  <p>M6*45 8+1PC</p>
<p>E</p>  <p>M8*60 8+1PC</p>	<p>F</p>  <p>ST5*30 7+1PC</p>	<p>G</p>  <p>M8 8+1PC</p>	<p>H</p>  <p>10*19 16+1PC</p>

Hardware list (EN)

<p>I</p>  <p>3.5*14</p> <p>6+1PC</p>	<p>J</p>  <p>∅6*80</p> <p>3+1PC</p>	<p>K</p>  <p>∅6*40</p> <p>6+1PC</p>	<p>L</p>  <p>∅6*30</p> <p>8+1PC</p>
<p>M</p>  <p>∅15*9.5</p> <p>12+1PC</p>	<p>N</p>  <p>N1</p> <p>N2</p> <p>2PCS</p>	<p>O</p>  <p>M6</p> <p>4+1PC</p>	<p>P</p>  <p>1PC</p>

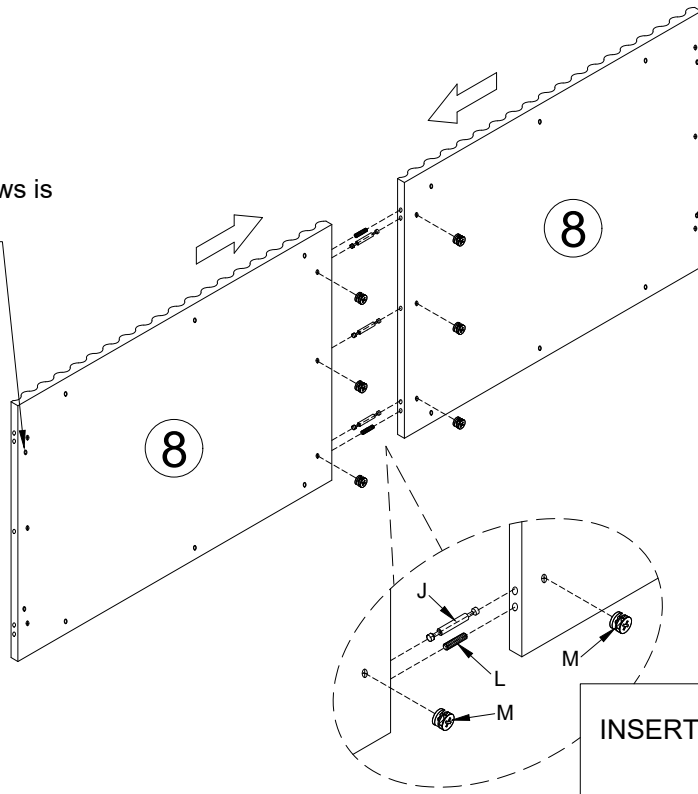
Installation recommendation: 1-2 people

Pay attention to accessory A. This accessory can be flexibly applied to match the bed head and bed frame. It can be adjusted and adapted according to the different orientations of the bed head and bed frame

STEP 1

Note: The side with the screws is on the outside.

Note: The side with the screws is on the outside.



! Align the arrow on the Cam-lock to the Cam-bolt head and insert the Cam-lock. Ensure Cam-lock is fully inserted.

	J×3PCS
	L×2PCS
	M×6PCS

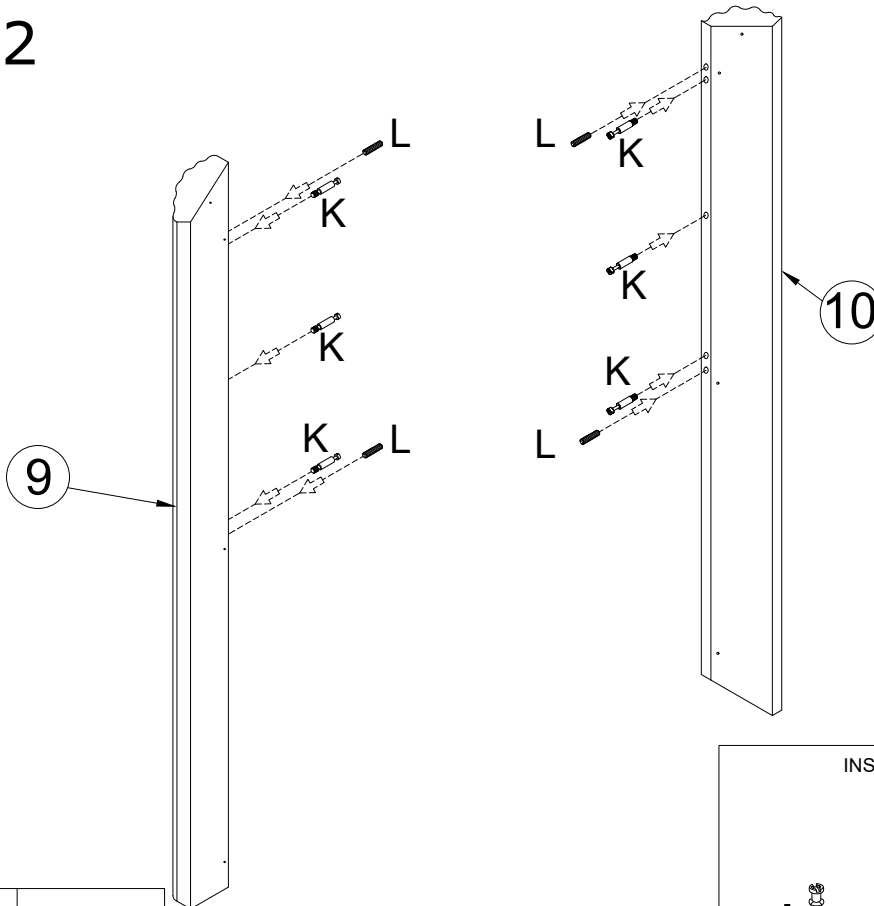
Attention!!! After locking part M on one side, part J may be offset to one side. If there is any offset, please adjust it

INSERTING AND TIGHTENING CAM-BOLT

Insert Cam-lock with arrow align to Cam-bolt head

CORRECT **WRONG**

STEP 2



	K×6PCS
	L×4PCS


INSERTING AND TIGHTENING CAM-BOLT

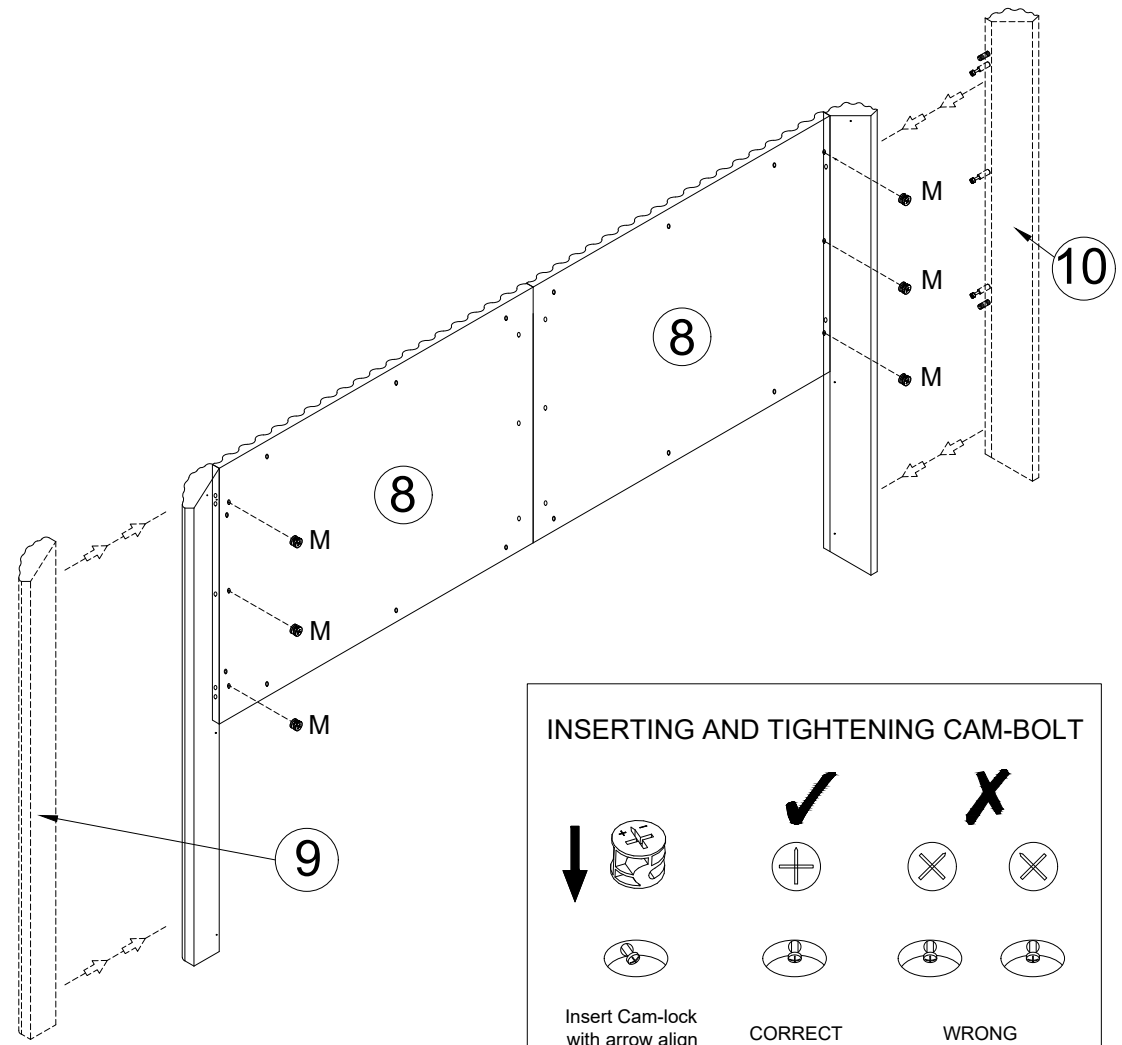
Place Cam-bolt on pre-drilled hole and screw in vertically

Shoulder is flushed (on the same level) with the panel.

Shoulder is above the panel.

STEP 3

 Align the arrow on the Cam-lock to the Cam-bolt head and insert the Cam-lock. Ensure Cam-lock is fully inserted.



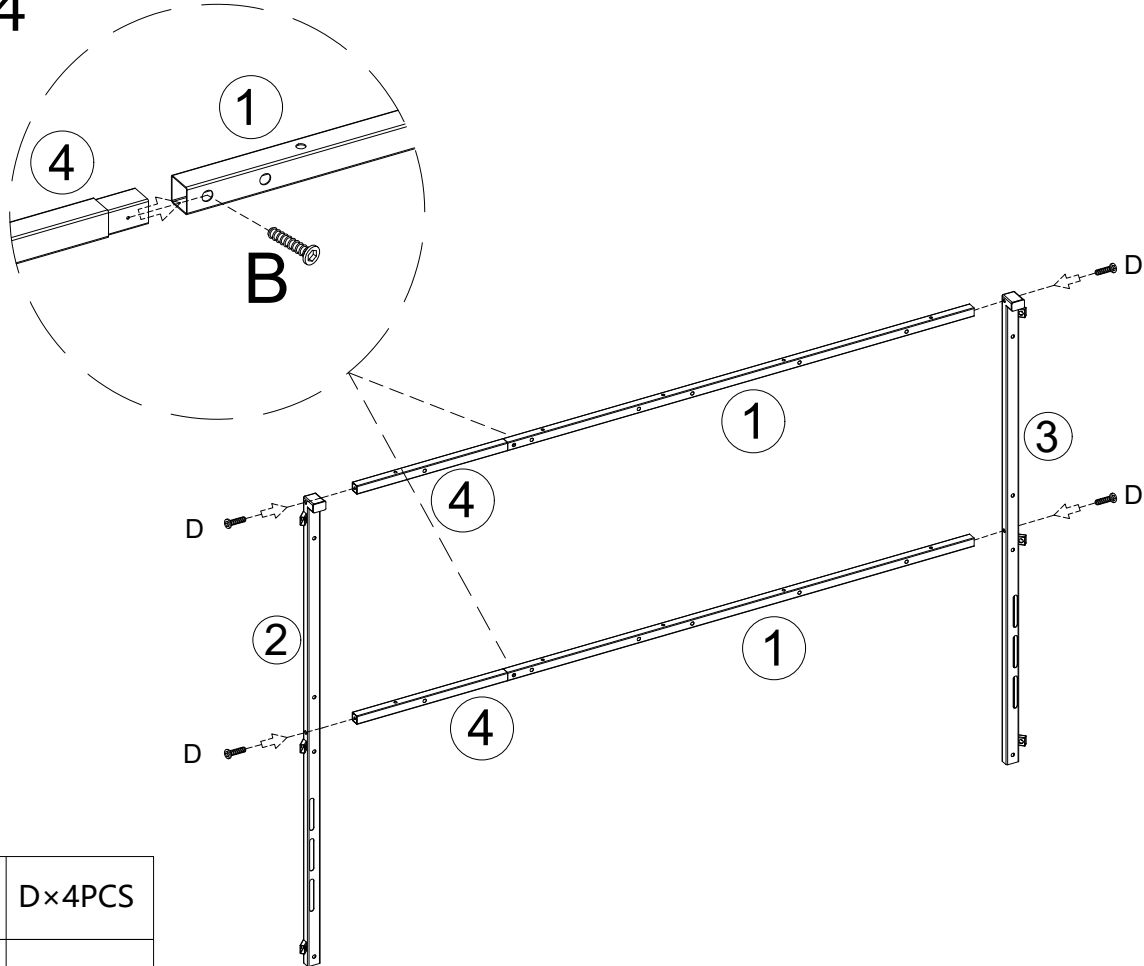
	M×6PCS
---	--------

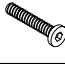

INSERTING AND TIGHTENING CAM-BOLT

Insert Cam-lock with arrow align to Cam-bolt head

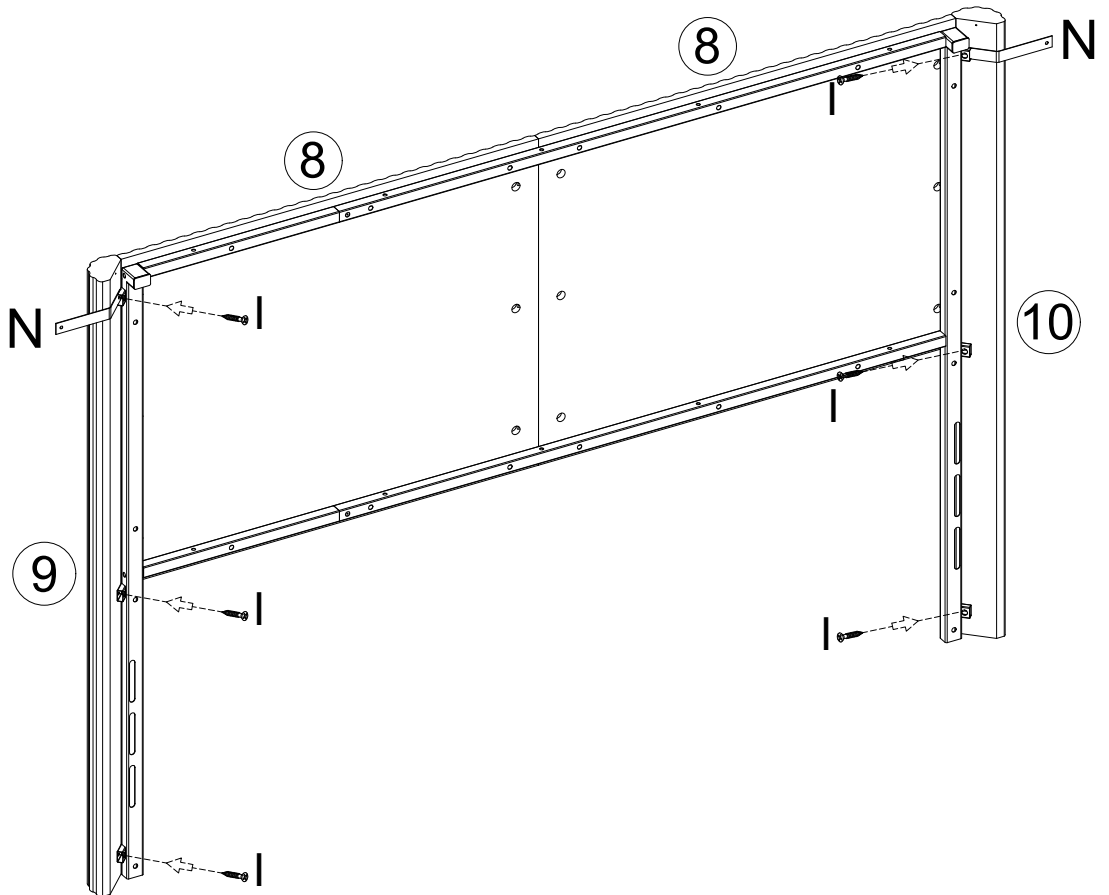
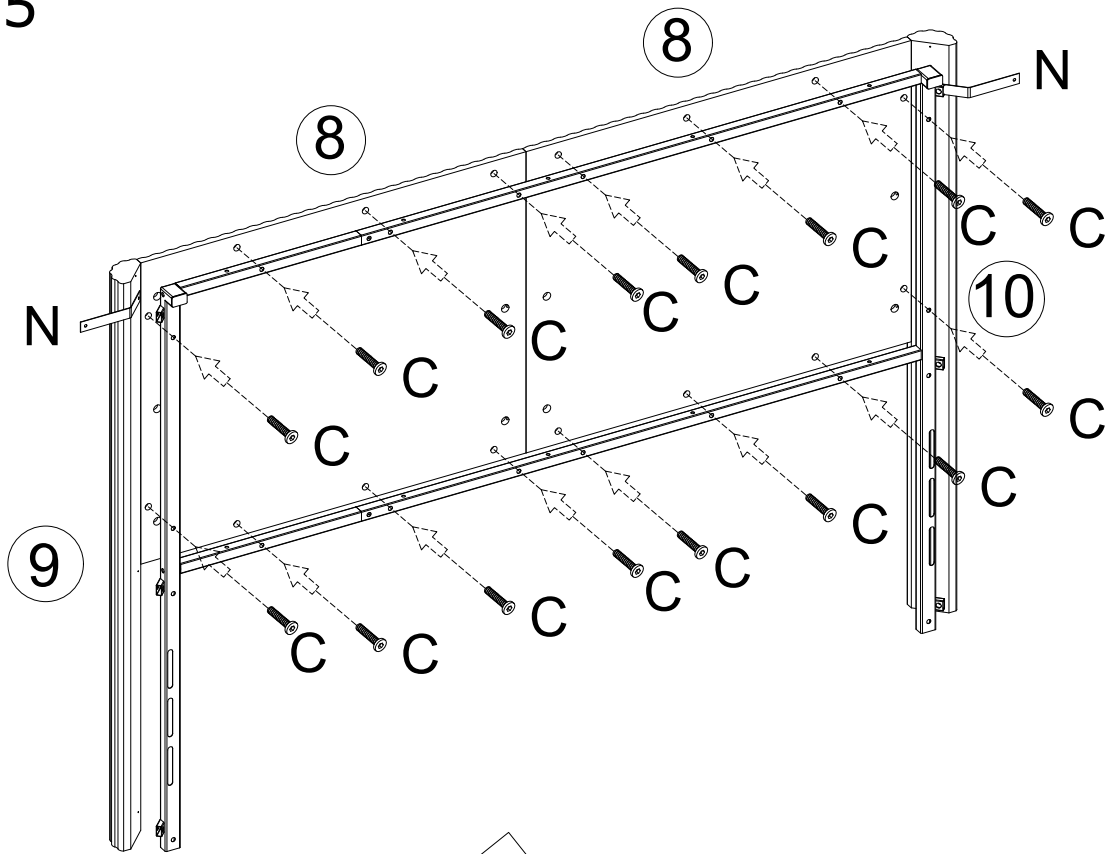
CORRECT WRONG

STEP 4



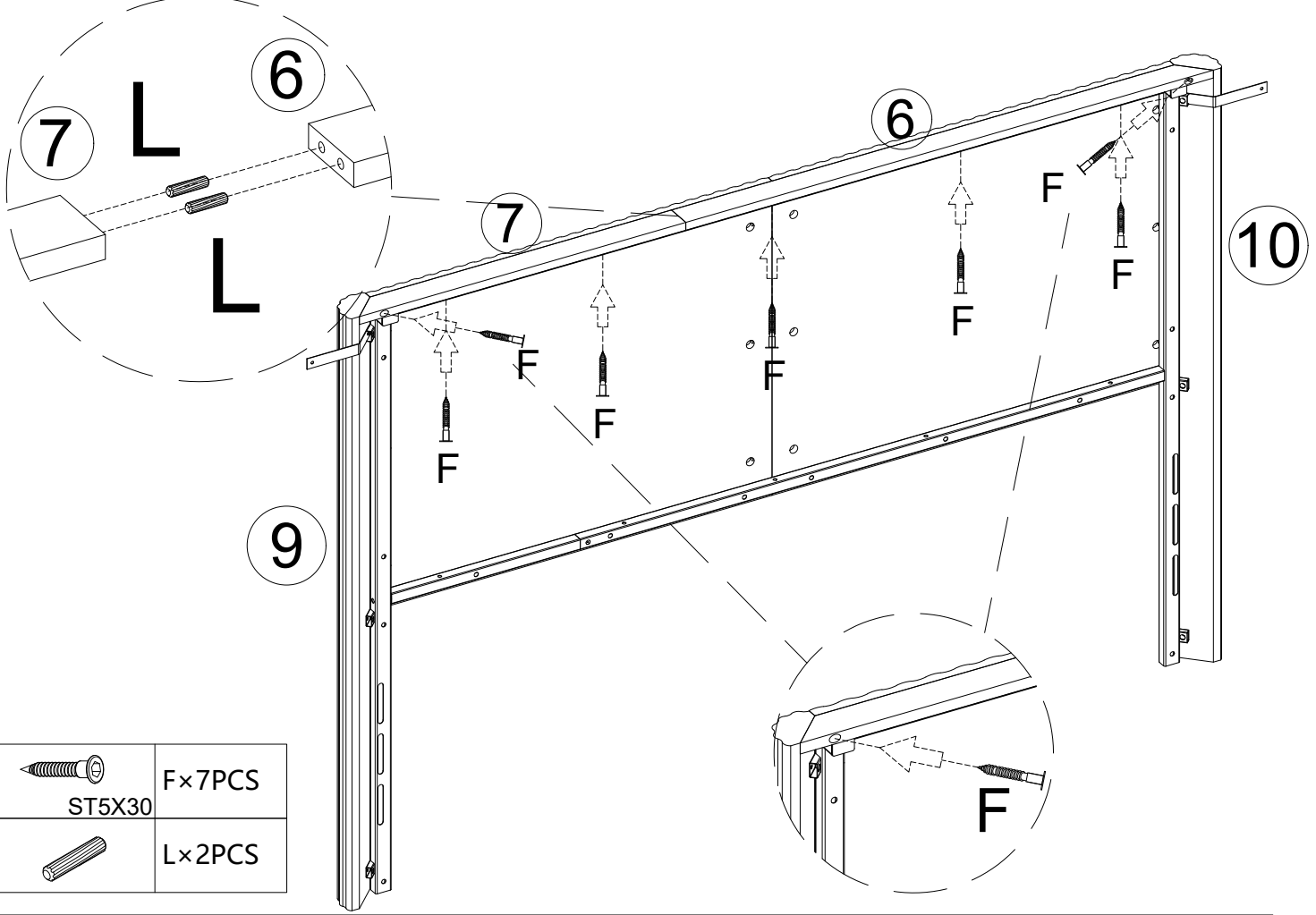
 M6X45	D×4PCS
 M6X12	B×2PCS


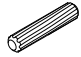
STEP 5



	N2×2PCS
	C×16PCS
	I×6PCS
	3.5*14

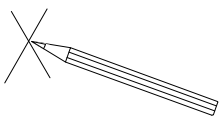
STEP 6



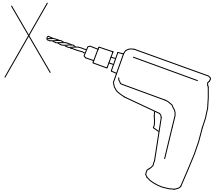
	F×7PCS ST5X30
	L×2PCS

STEP 7

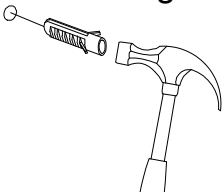
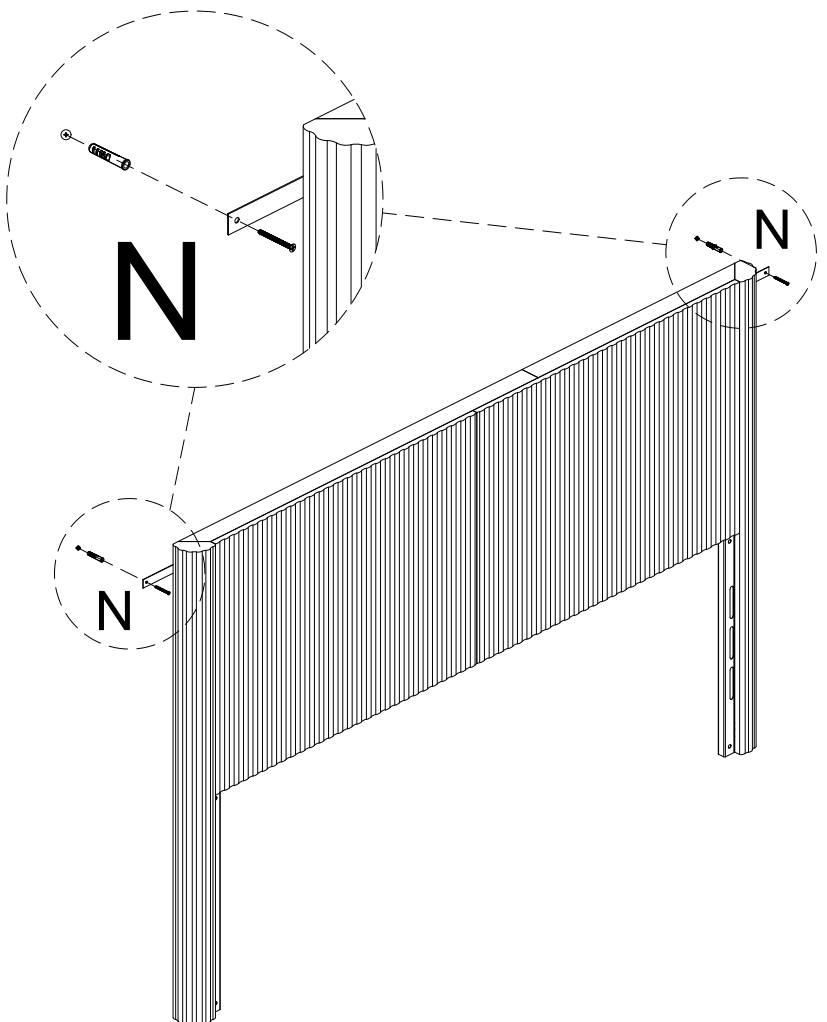
Draw positioning



Punch holes



Mounting screws

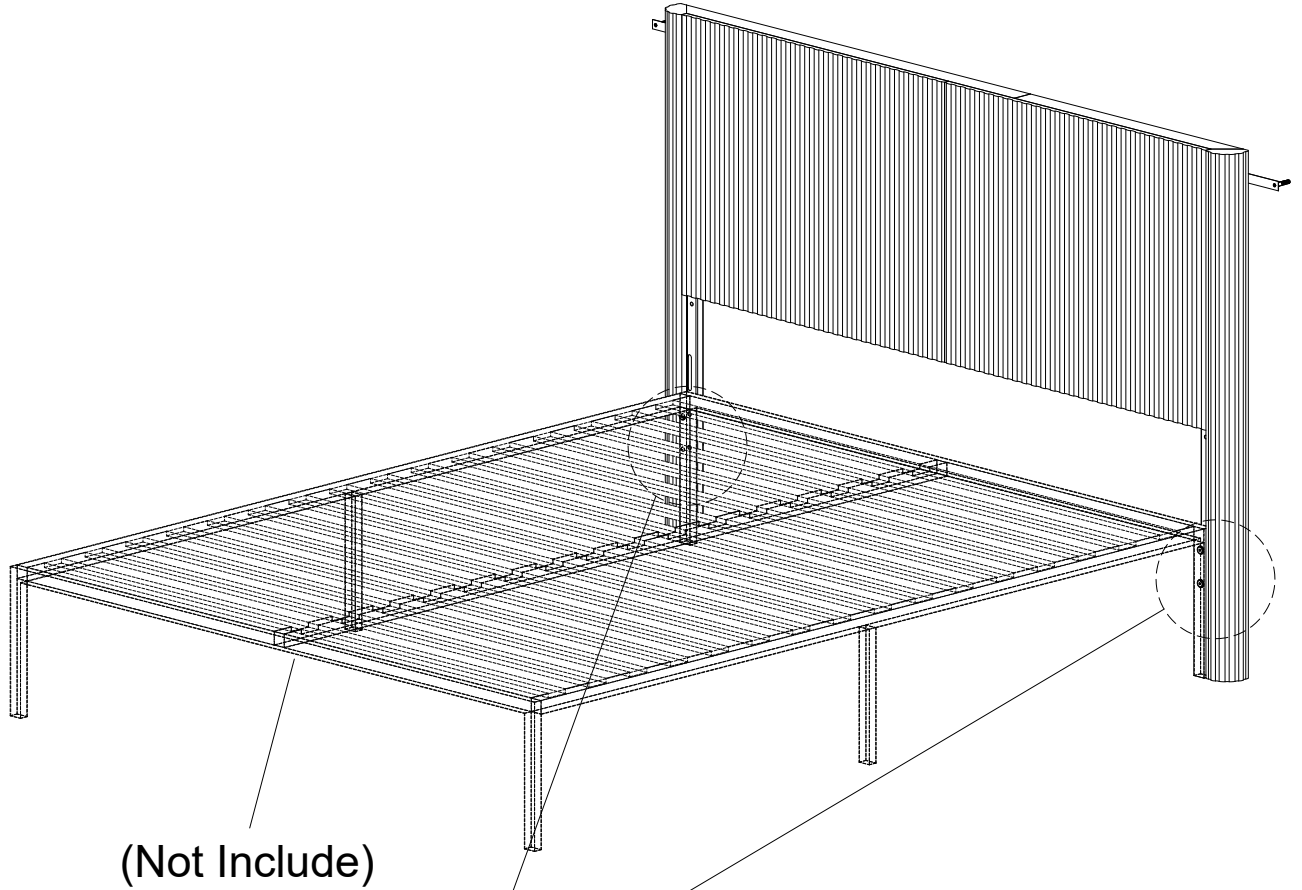
	N×2PCS
---	--------

STEP 8(Option 1)

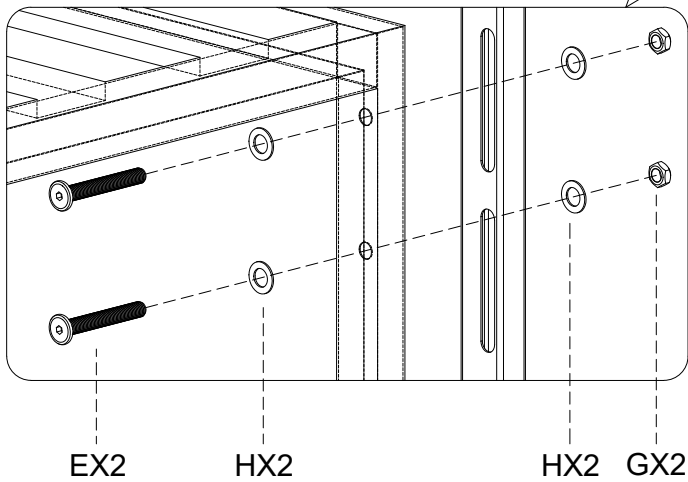
When connecting the headboard frame to the bed frame, please decide whether to use A-type bracket and No. 5 short tube based on the width of the bed frame you purchased

Method 1

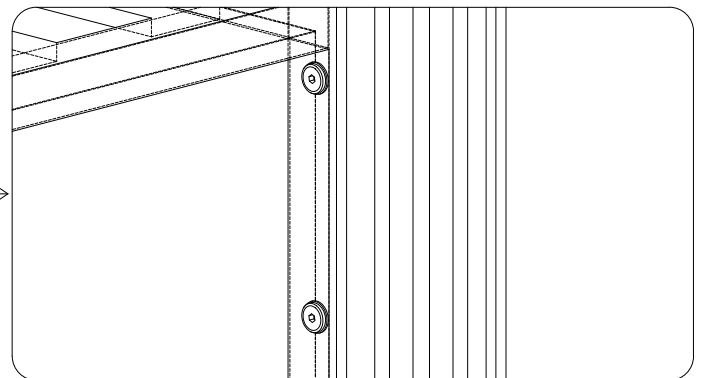
If the width of the bed frame is the same as that of the headboard frame, there is no need to use A-type brackets and No. 5 short tubes


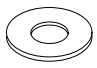



STEP 1



STEP 2

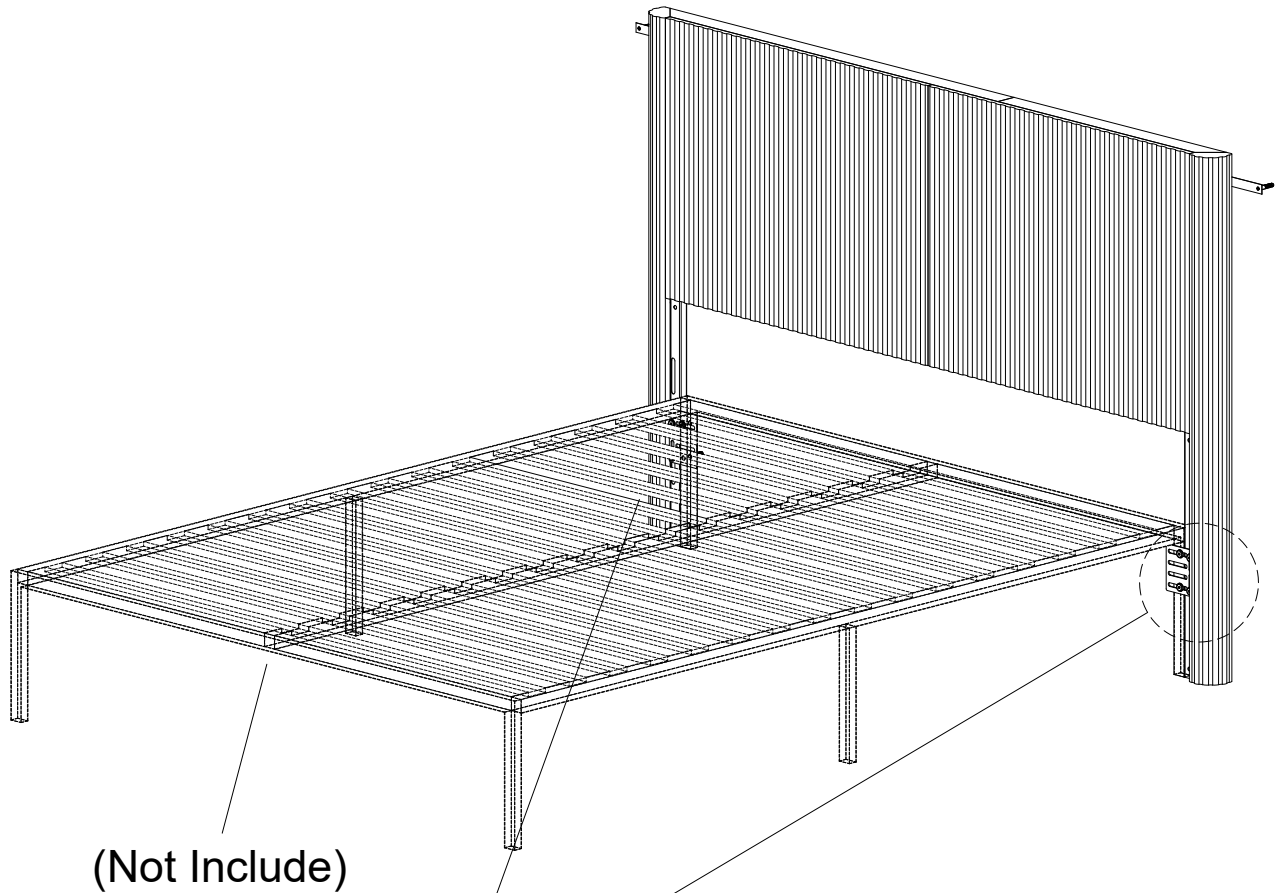


 M8X60	E×4PCS
	H×8PCS
 M8	G×4PCS

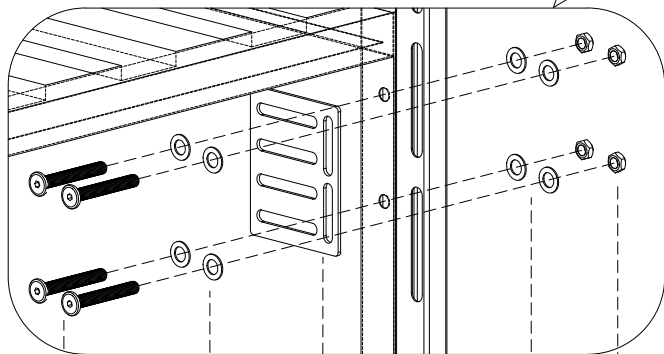
STEP 8 (Option 2)

Method 2

lease install A as shown in the figure if the width of the bed frame is smaller than the width of the headboard.

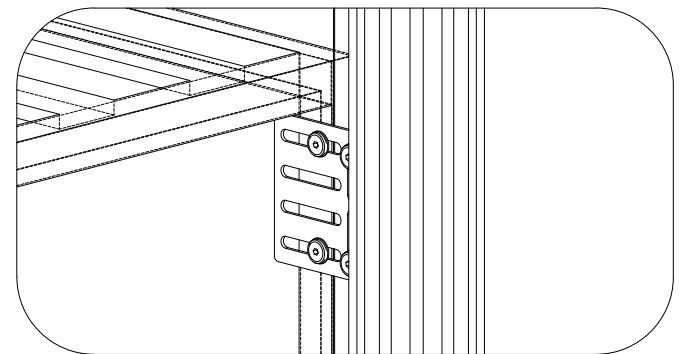


STEP 1







EX4 HX4 AX1 HX4 GX4



STEP 2



! Friendly Reminder: If the bed frame is compatible with M6 screws, the E and G parts of the locking bed frame can be replaced with D and O parts

 M8X60	E×8PCS		
	H×16PCS		
 M8	G×8PCS		A×2PCS

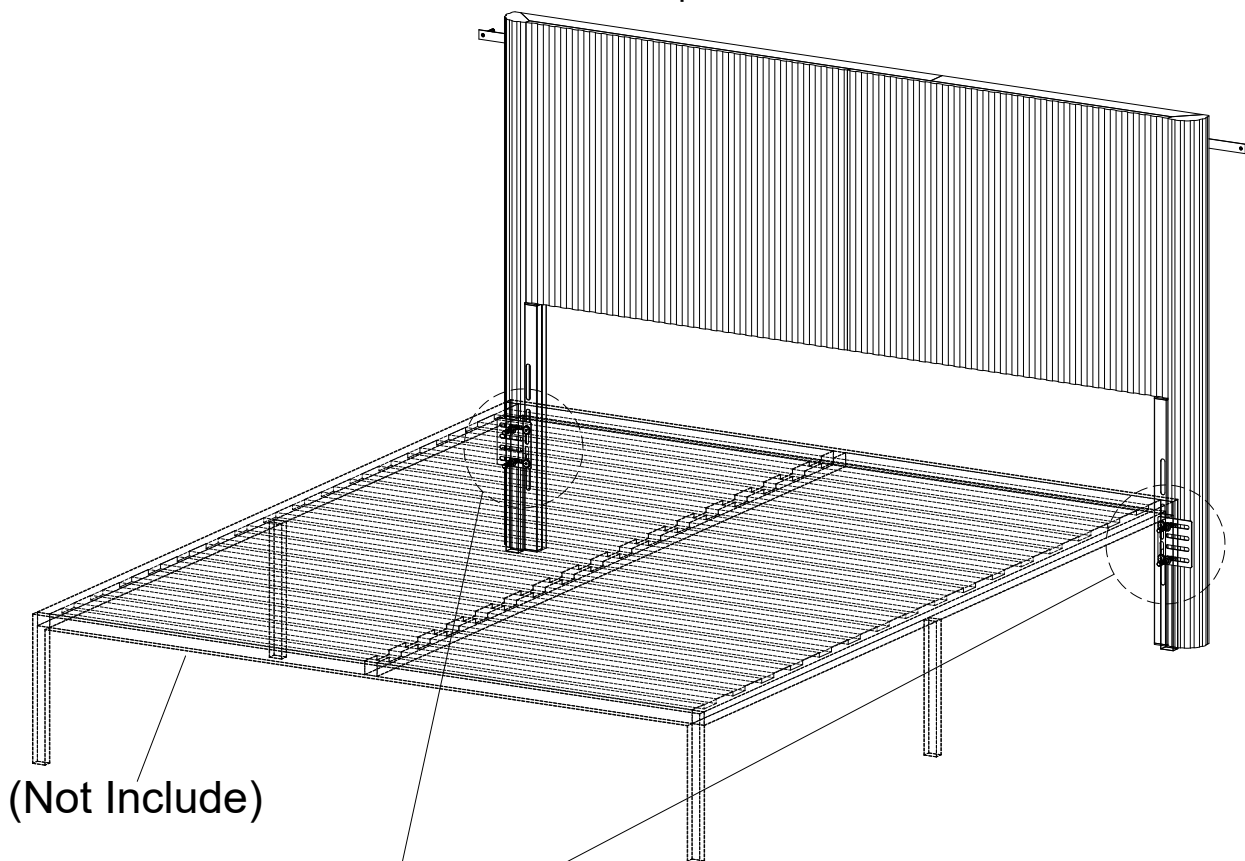
OR

 M6X45	D×4PCS
 M6	O×4PCS

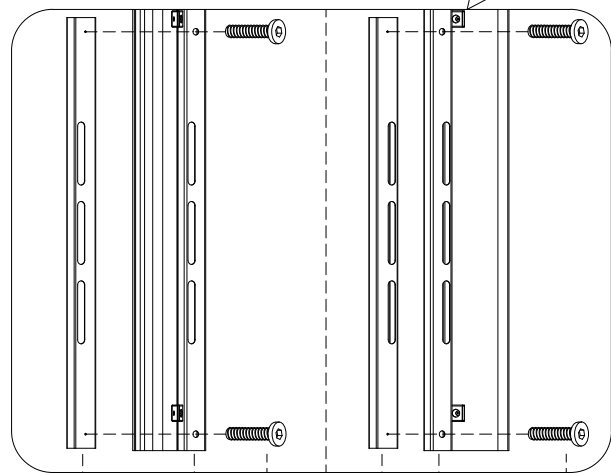
STEP 8(Option 3-1)

Method 3

If the width of the bed frame is greater than the width of the headboard, please install the H and No. 5 short tubes as shown in the picture

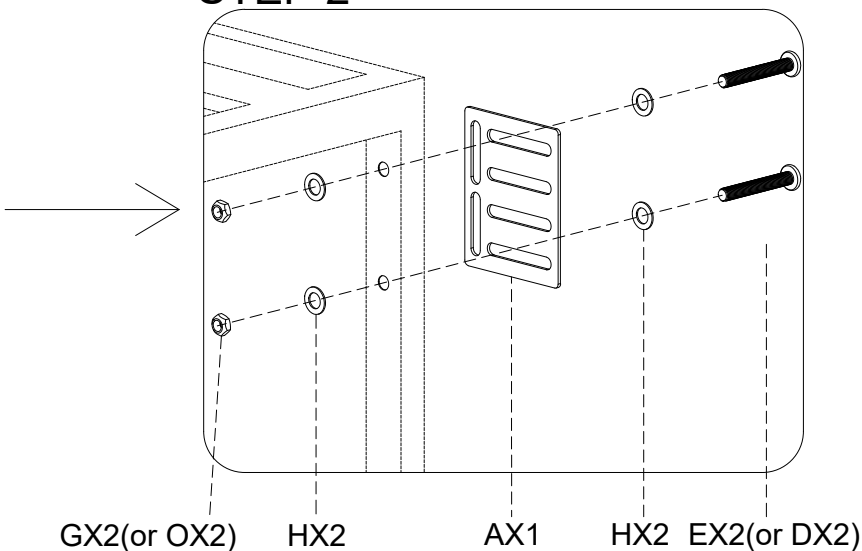


STEP 1



⑤ ② CX2 ⑤ ③ CX2

STEP 2



GX2(or OX2) HX2 AX1 HX2 EX2(or DX2)



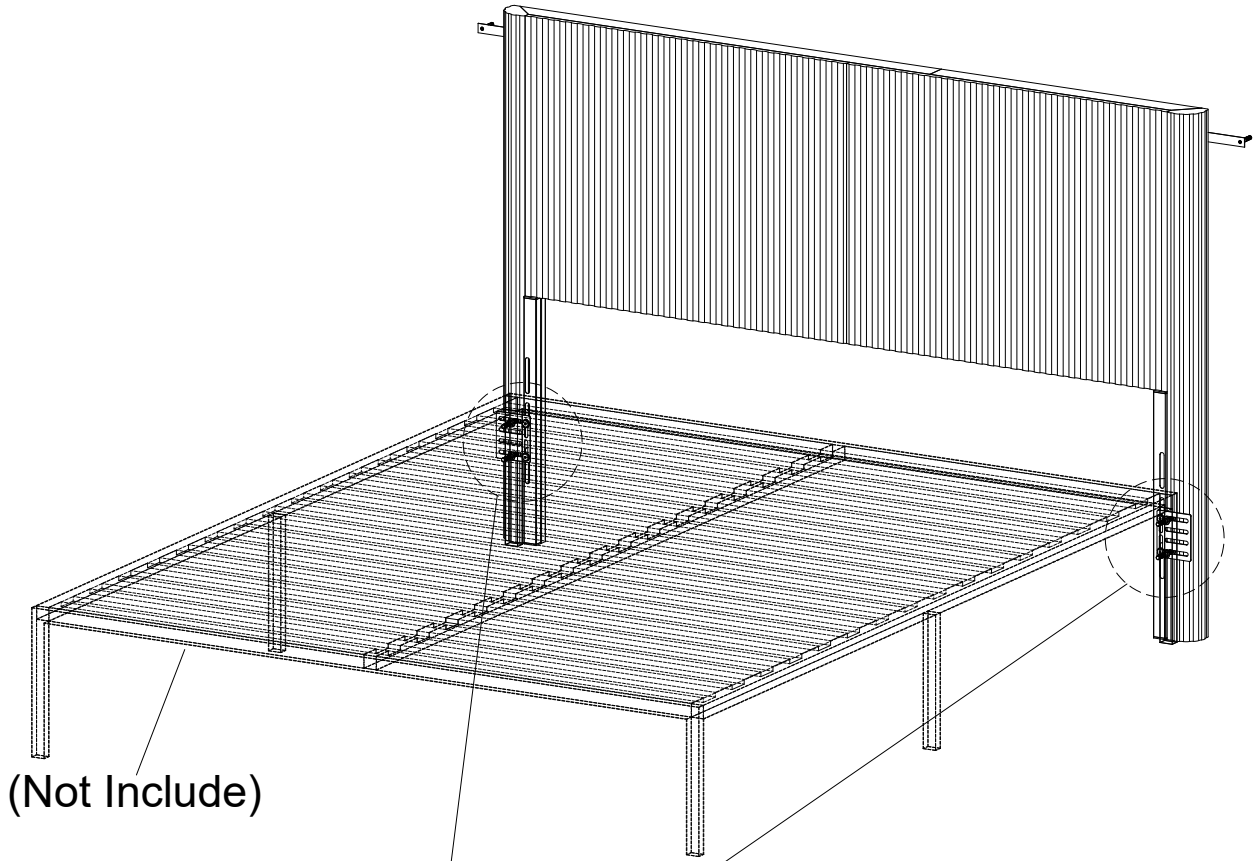
Friendly Reminder: If the bed frame is compatible with M6 screws, the E and G parts of the locking bed frame can be replaced with D and O parts

M8X60	E×4PCS		⑤ X2PCS
	H×8PCS	M6X28	C×4PCS
M8	G×4PCS		A×2PCS

OR

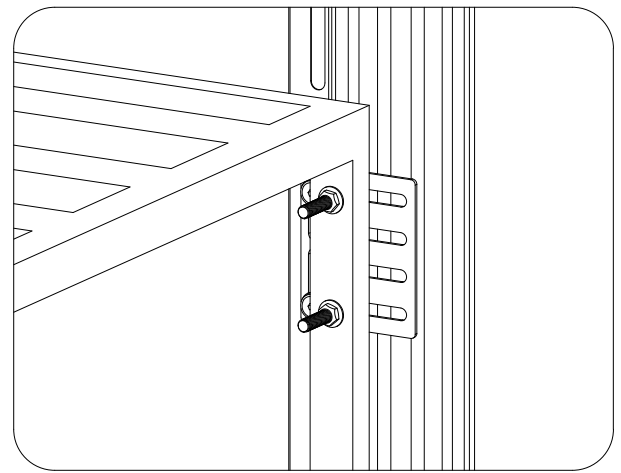
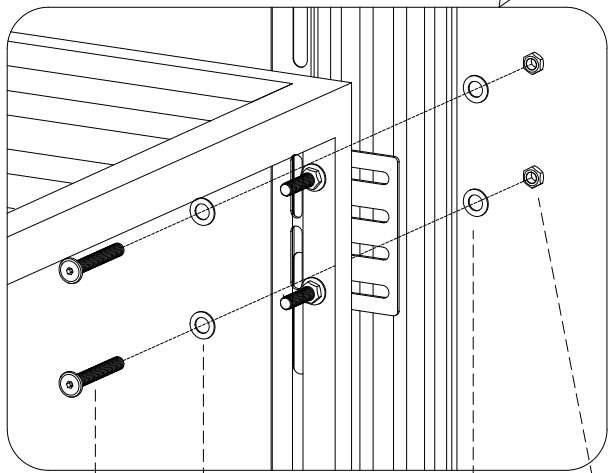
M6X45	D×4PCS
M6	O×4PCS

STEP 8(Option 3-2)






STEP 3

STEP 4



EX2 HX2

HX2 GX2

 M8X60	E×4PCS
	H×8PCS
 M8	G×4PCS