

ASSEMBLY INSTRUCTIONS

EUROPA COLLECTION

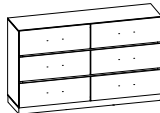
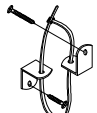
MODEL : B1840-050 EUROPA DRESSER - WHITE
(1 Per Carton)

Thank you for purchasing this quality product. Be sure to check all packing materials carefully for small parts, which may have come loose inside the carton during shipment. Identify and count all items and compare with the parts list and/or hardware list shown below.

Please read all instructions carefully. See the hardware and furniture part listing for guidance. Be sure you have all parts listed before beginning assembly. Place all wooden parts on a clean, flat surface to protect the finish from scratches. Follow the diagram to assemble.

CAUTION

1. Do not fully tighten the nuts or bolts until the table is fully assembled.
2. Please tighten by hand, not by a drill. Overtightening will damage threads. Do not overtighten.
3. Keep all hardware out of the reach of children.

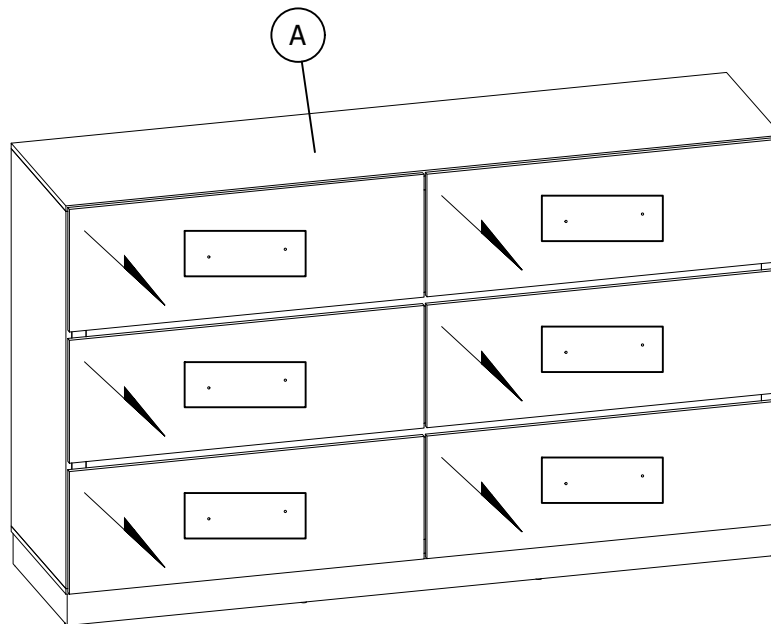
PARTS LIST				HARDWARE LIST			
ITEM	DESCRIPTION	SKETCH	QTY	ITEM	DESCRIPTION	SKETCH	QTY
A	DRESSER		1 PC	1	TIPPING RESTRAINT		1 PC

HARDWARE DIMENSIONS
VERIFICATION TOOL



STEP 1: Pull open the drawer to install the drawer handles.

**** Attention: DO NOT OVER TIGHTEN THE SCREWS.**

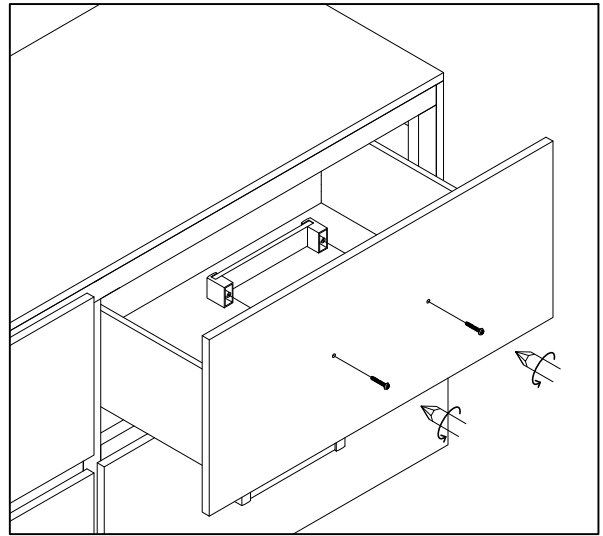
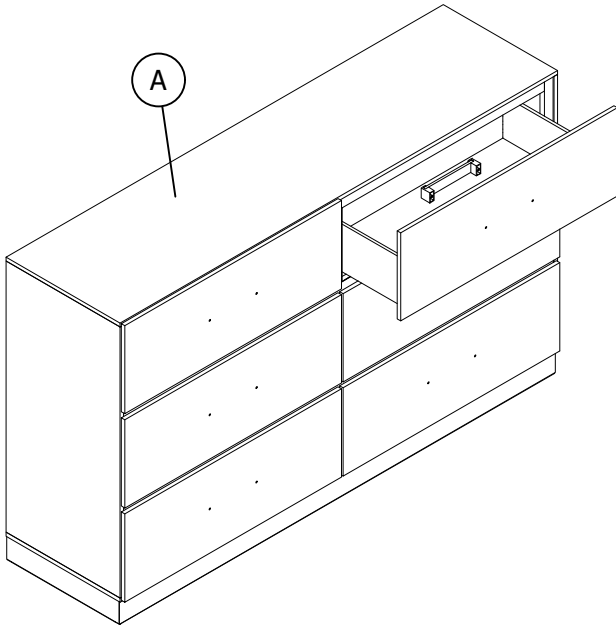


ASSEMBLY INSTRUCTIONS

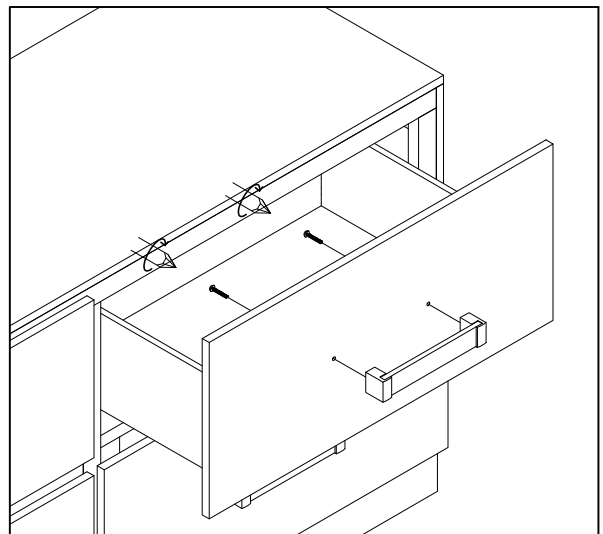
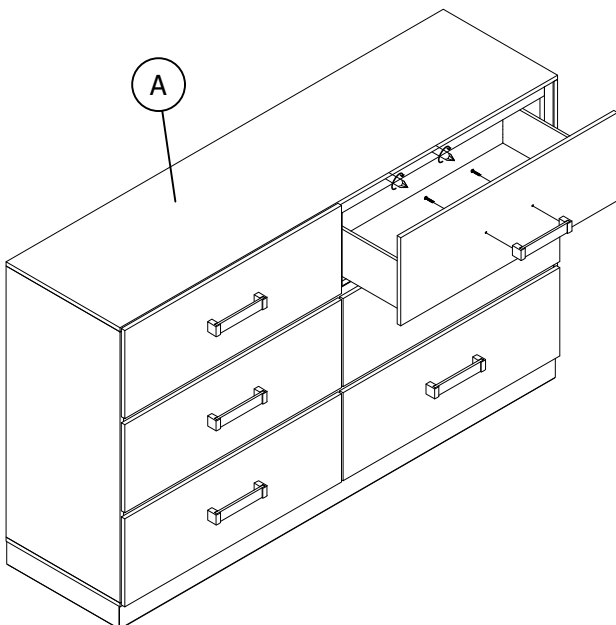
EUROPA COLLECTION

MODEL : B1840-050 EUROPA DRESSER - WHITE
(1 Per Carton)

STEP 2: Unscrew the handle from the outside of the drawer with a screwdriver.
** Attention: DO NOT OVER TIGHTEN THE SCREWS.



STEP 3: Place the handle on the outside of the drawer and screw from the inside of the drawer with a screwdriver.
** Attention: DO NOT OVER TIGHTEN THE SCREWS.



ASSEMBLY INSTRUCTIONS

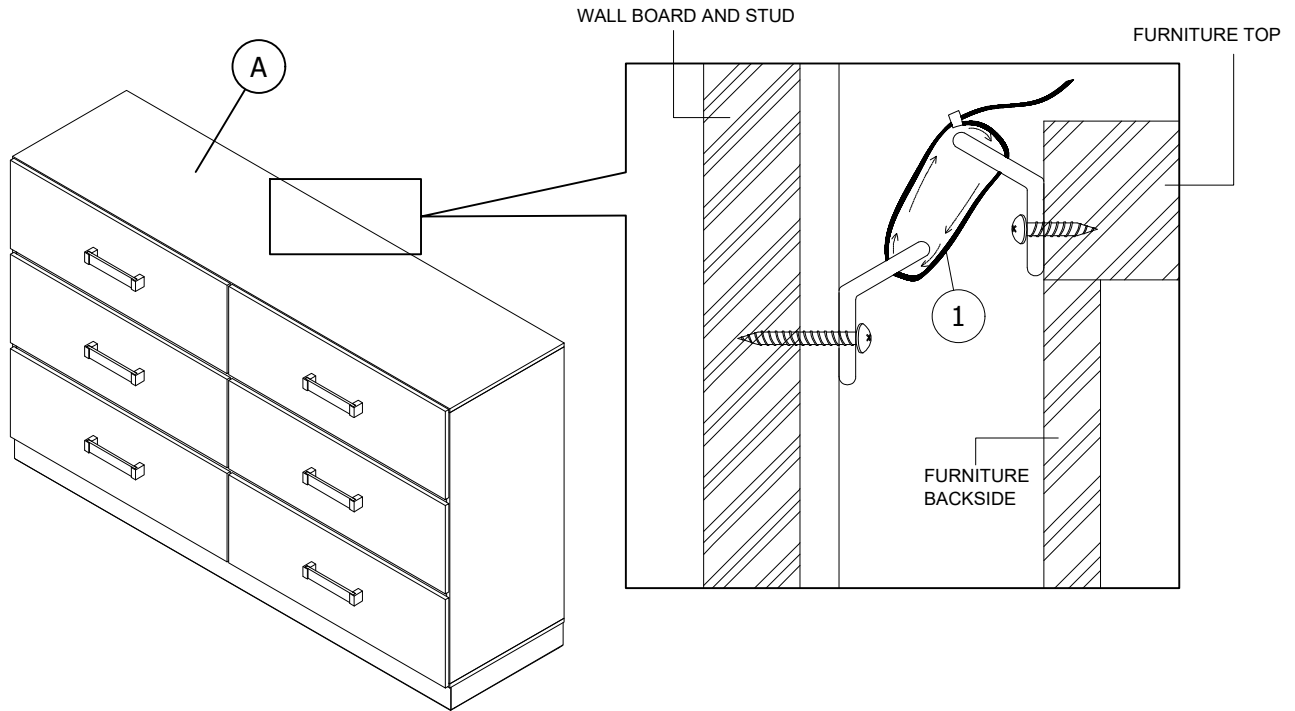
EUROPA COLLECTION

MODEL : B1840-050 EUROPA DRESSER - WHITE
(1 Per Carton)

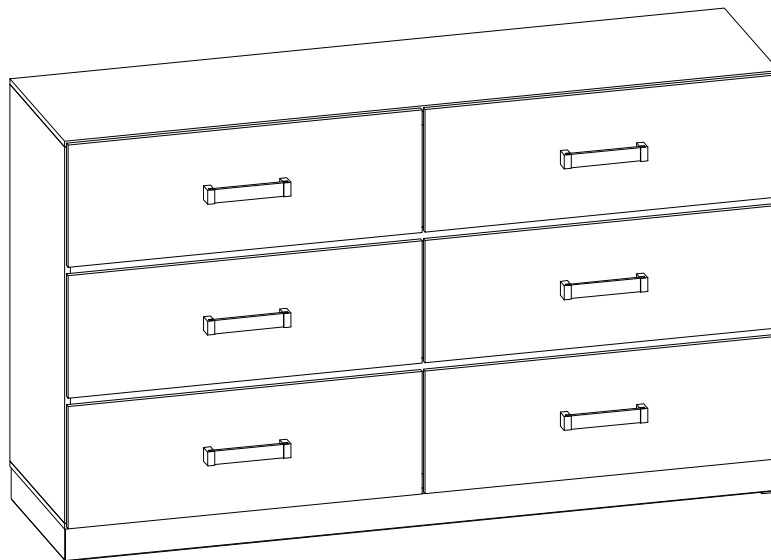
STEP 4: Place the Dresser (A) near the wall.

Install the Tipping Restraint (1) with the Dresser (A) and the wall.

****Attention: DO NOT OVER TIGHTEN THE SCREWS.**



STEP 5: Complete.



ASSEMBLY COMPLETED

ASSEMBLY INSTRUCTIONS

EUROPA COLLECTION

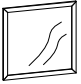






MODEL : B1840-060 EUROPA MIRROR - WHITE
(1 Per Carton)

Thank you for purchasing this quality product. Be sure to check all packing materials carefully for small parts, which may have come loose inside the carton during shipment. Identify and count all items and compare with the parts list and/or hardware list shown below.

Please read all instructions carefully. See the hardware and furniture part listing for guidance. Be sure you have all parts listed before beginning assembly. Place all wooden parts on a clean, flat surface to protect the finish from scratches. Follow the diagram to assemble.

CAUTION

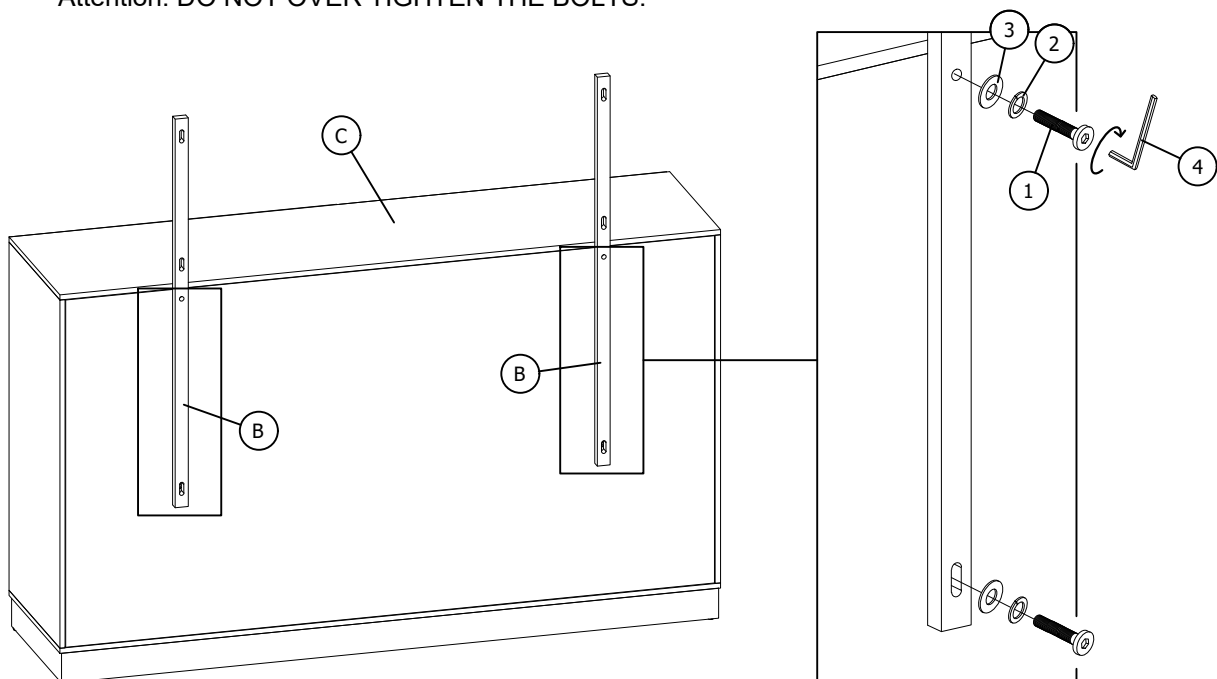
1. Do not fully tighten the nuts or bolts until the table is fully assembled.
2. Please tighten by hand, not by a drill. Overtightening will damage threads. Do not overtighten.
3. Keep all hardware out of the reach of children.

PARTS LIST				HARDWARE LIST			
ITEM	DESCRIPTION	SKETCH	QTY	ITEM	DESCRIPTION	SKETCH	QTY
A	MIRROR		1 PC	1	BOLT M6 x 1 9/16"		8 PCS
B	MIRROR SUPPORT		2 PCS	2	SPRING WASHER M6 x 1/4"		8 PCS
C	DRESSER (FROM DRESSER BOX)		1 PC	3	FLAT WASHER M6 x 1/4"		8 PCS
				4	ALLEN KEY M4 x 2 3/8"		1 PC

HARDWARE DIMENSIONS VERIFICATION TOOL



STEP 1: Assemble the Mirror Support (B) with the Dresser (C) by using Allen Key (4) with hardware (1), (2) and (3).
** Attention: DO NOT OVER TIGHTEN THE BOLTS.

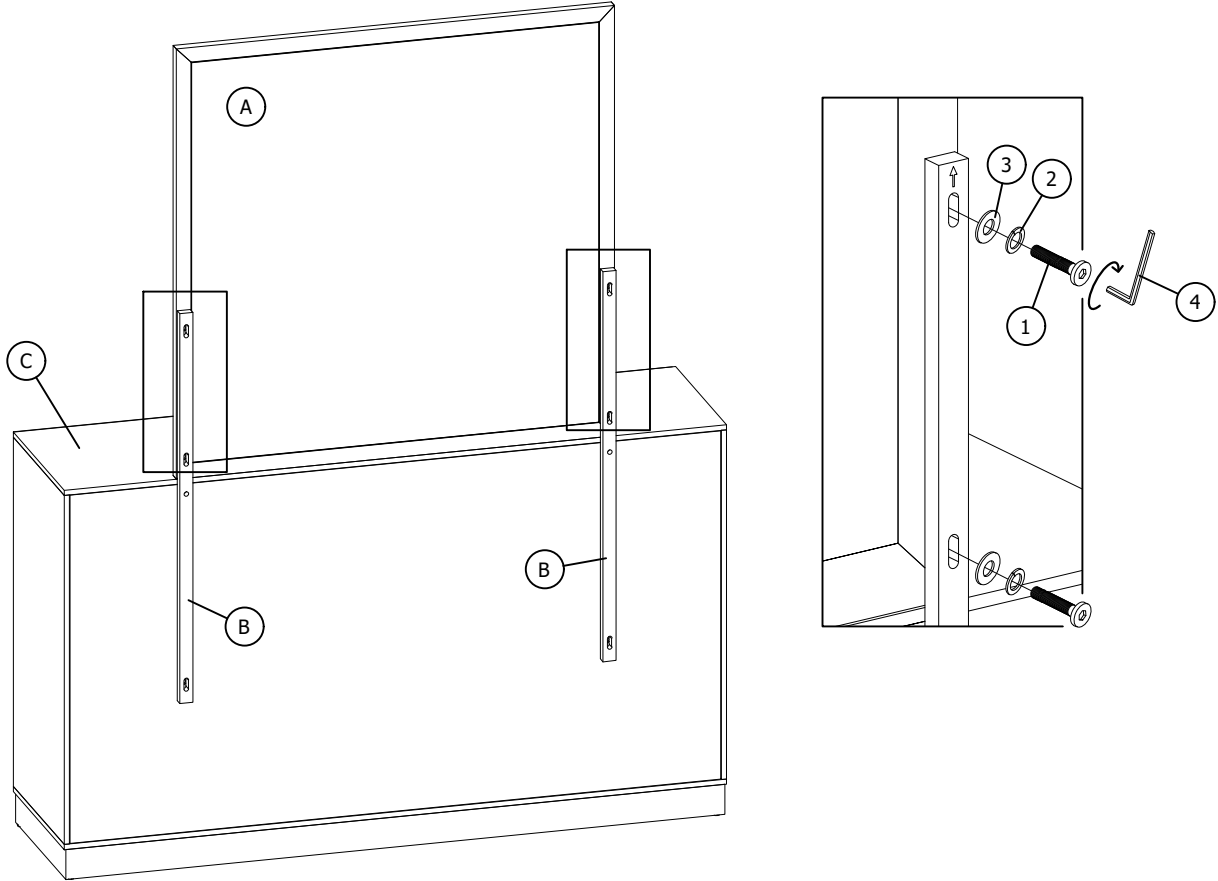


ASSEMBLY INSTRUCTIONS

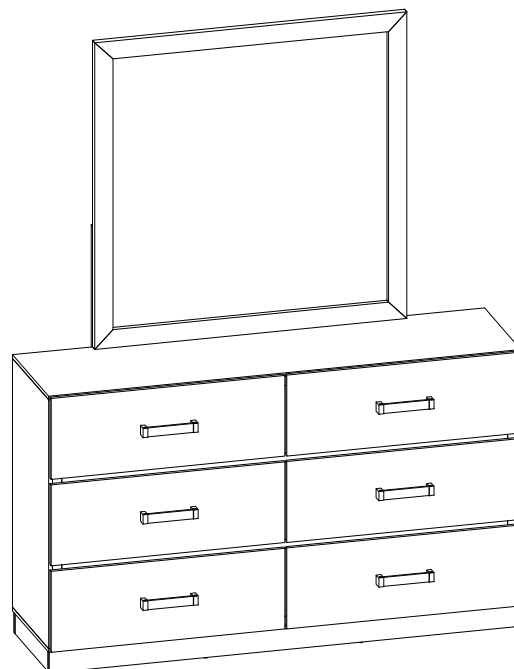
EUROPA COLLECTION

MODEL : B1840-060 EUROPA MIRROR - WHITE
(1 Per Carton)

STEP 2: Assemble the Mirror (A) with the Mirror Support (B) by using Allen Key (4) with hardware (1), (2) and (3).
**** Attention: DO NOT OVER TIGHTEN THE BOLTS.**



STEP 3: Complete.



ASSEMBLY COMPLETED