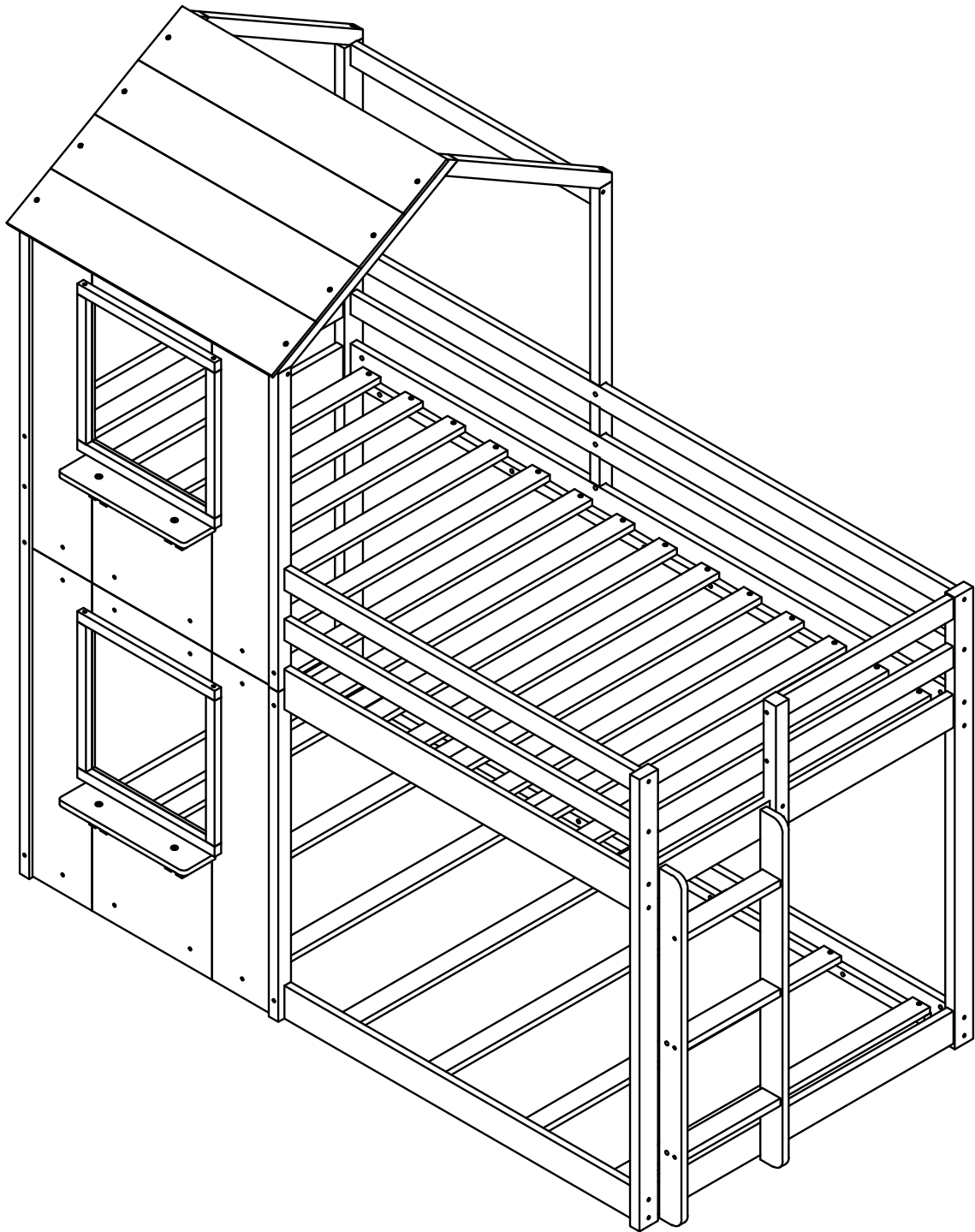
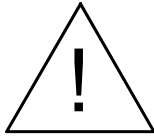


# ASSEMBLY INSTRUCTIONS

## TWIN TWIN HOUSE BUNK BED



# ASSEMBLY INSTRUCTIONS



## **SAFETY WARNINGS**



1. This bed is designed for use only mattress (es) meeting the following specifications on the upper bunk, and lower bunk:

**Upper bunk (bunk bed and tribed included)**

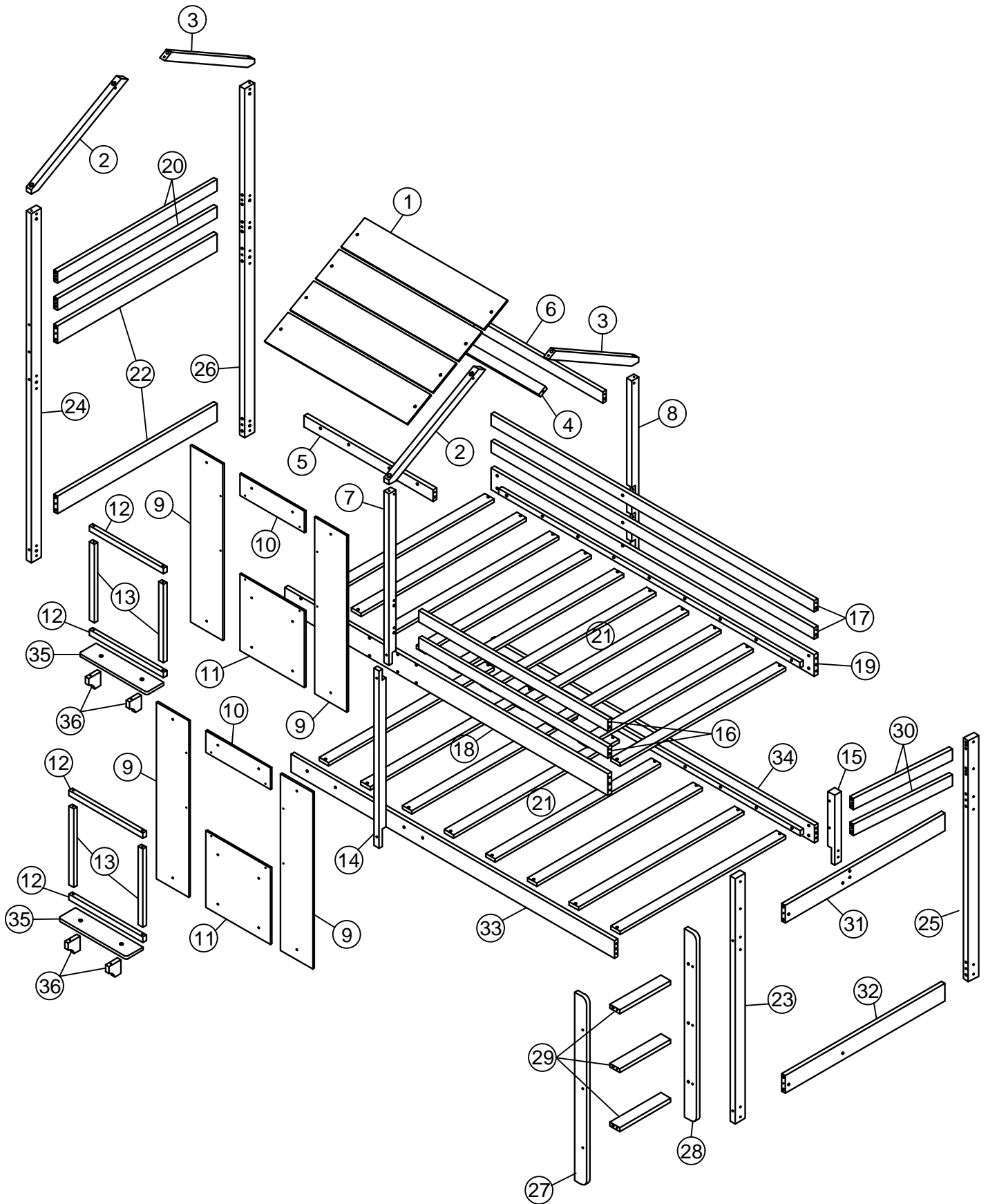
<b>Bed Type</b>	<b>Length</b>	<b>Width</b>	<b>Thickness</b>
Twin Standard	74" - 75"	37 $\frac{1}{2}$ " - 38 $\frac{1}{2}$ "	6" max

**Lower bunk**

<b>Bed Type</b>	<b>Length</b>	<b>Width</b>	<b>Thickness</b>
Twin Standard	74" - 75"	37 $\frac{1}{2}$ " - 38 $\frac{1}{2}$ "	8"

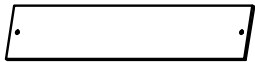
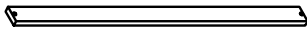


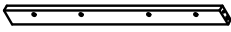
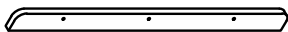
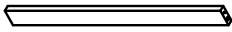

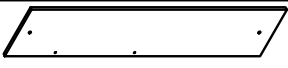
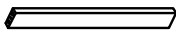
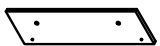


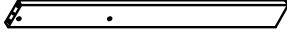
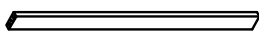
2. Replacement parts, including additional guardrails, maybe obtained from any of our dealers
3. Follow the information on the warnings appearing on the upper bunk bed end structure and on the carton. Do not remove warning label from bed.
4. Always use the recommended size mattresses or mattress supports, or both, to help prevent the likelihood of entrapment or falls.
5. Surface of mattress must be at least 5" (127mm) below the upper edge of guardrails.
6. Do not allow children under 6 years of age to use the upper bunk.
7. Periodically check and ensure that the guardrail, ladder, and other components are in their proper position, free from damage, and that all connectors are tight.
8. Do not allow horseplay on or under the bed and prohibit jumping on the bed.
9. Always use the ladder for entering and leaving the upper bunk.
10. Do not use substitute part. Contact the manufacture or dealer for replacement part.
11. Use of a night light may provide added safety precaution for a child using the upper bunk.
12. Always use guardrails on both long sides of the upper bunk. If the bunk bed will be placed next to the wall, the guardrail that runs the full length of the bed should be placed against the wall to prevent entrapment between the bed and wall.
13. The use of water or sleep flotation mattresses is prohibited.
14. **STRANGULATION HAZARD** - Never attach or hang items to any part of the bunk bed that are not designed for use with the bed; for example, but not limited to, hook, belts and jump ropes.
15. Keep these instruction for future reference.
16. Prohibit more than one person on upper bunk
17. We recommend assembling your bunk bed on the shipping carton to protect your floor or carpet.
18. Be certain all staples are out of the box before beginning assembly on the shipping carton.

# ASSEMBLY INSTRUCTIONS













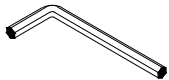



# ASSEMBLY INSTRUCTIONS

## PARTS LIST

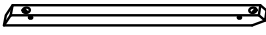

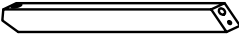
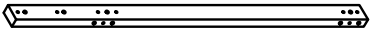



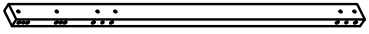


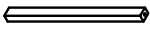
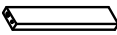
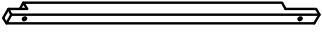
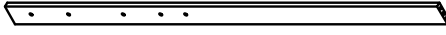
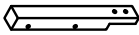

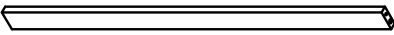



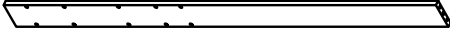
<b>1</b>	Roof panels 	4pcs	<b>21</b>	Slats (upper 14pcs / lower 7pcs) 	21pcs
<b>4</b>	Roof top supports 	1pc	<b>22</b>	Head board panels 	2pcs
<b>5</b>	Top front support 	1pc	<b>27</b>	Ladder - left leg 	1pc
<b>6</b>	Top back support 	1pc	<b>28</b>	Ladder - right leg 	1pc
<b>9</b>	Window side panels 	4pcs	<b>30</b>	Head board panels 	2pcs
<b>10</b>	Window upper panel 	2pcs	<b>31</b>	Head board panel 	1pc
<b>11</b>	Window lower panel 	2pcs	<b>32</b>	Head board panel 	1pc
<b>20</b>	Head board panels 	2pcs			

## HARDWARE LIST

<b>A</b>	Ø4x30 	42PCS	<b>G</b>	1/4x75  	16PCS
<b>B</b>	Ø4x25 	24PCS	<b>H</b>	1/4x35  	8PCS
<b>C</b>	6.5x100 	14PCS	<b>I</b>	1/4x25  	16PCS
<b>D</b>	6.5x80 	18PCS	<b>J</b>	Ø10x40 	60PCS
<b>E</b>	6.5x60 	22PCS	<b>K</b>	4x58 	1PC
<b>F</b>	6.5x40 	8PCS			

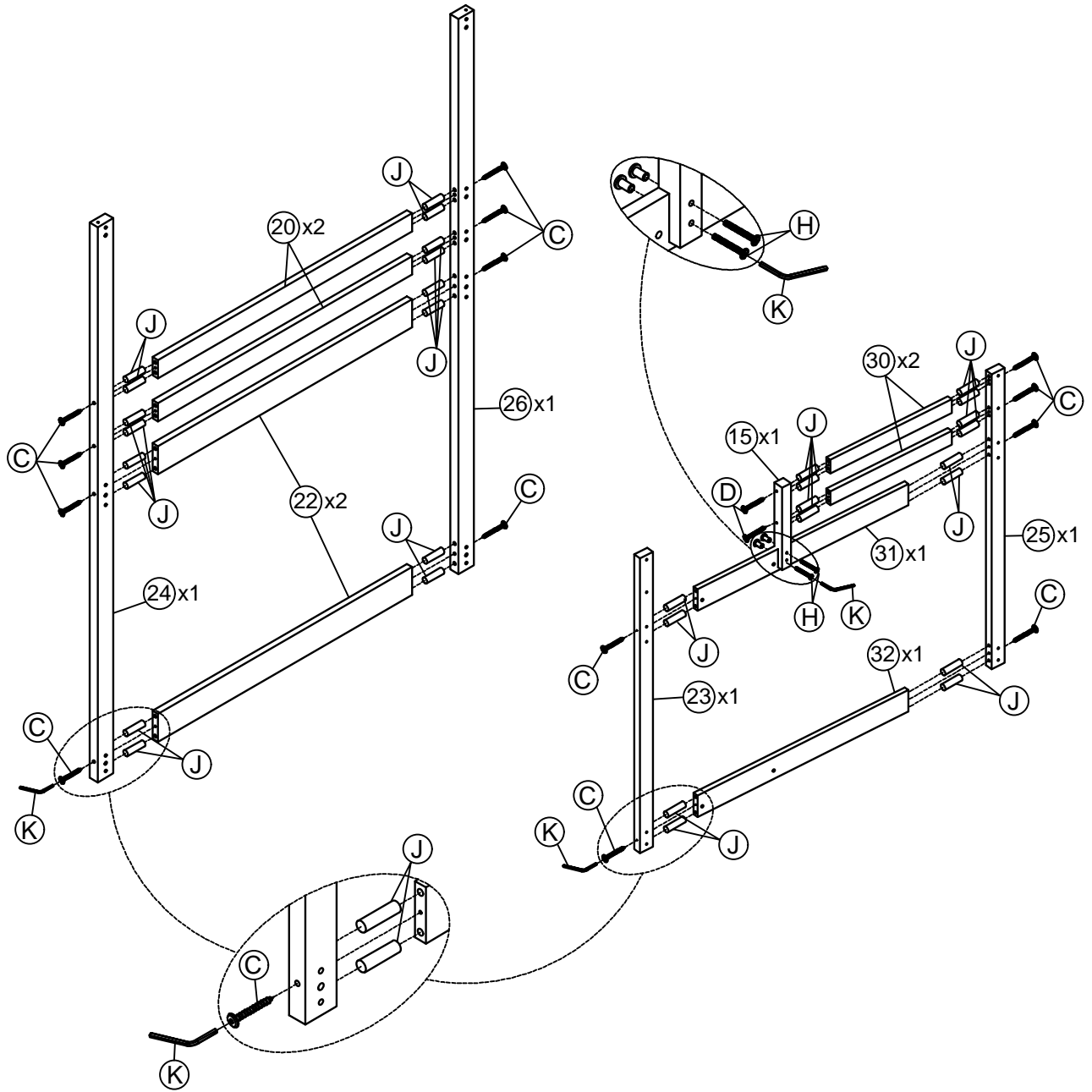
# ASSEMBLY INSTRUCTIONS






## PARTS LIST

<b>2</b>	 Roof front supports	2pcs	<b>19</b>	 Upper back side rail	1pc
<b>3</b>	 Roof back supports	2pcs	<b>23</b>	 Left front leg	1pc
<b>7</b>	 Roof bottom front support	1pc	<b>24</b>	 Right front leg	1pc
<b>8</b>	 Roof bottom back support	1pc	<b>25</b>	 Left back leg	1pc
<b>12</b>	 Window frame	4pcs	<b>26</b>	 Right back leg	1pc
<b>13</b>	 Window frame	4pcs	<b>29</b>	 Ladder steps	3pcs
<b>14</b>	 Roof bottom front support	1pc	<b>33</b>	 Lower front side rail	1pc
<b>15</b>	 Front guard rails support	1pc	<b>34</b>	 Lower back side rail	1pc
<b>16</b>	 Front guard rails	2pcs	<b>35</b>	 Window bars	2pcs
<b>17</b>	 Back guard rails	2pcs	<b>36</b>	 Window bar supports	4pcs
<b>18</b>	 Upper front side rail	1pc			

# ASSEMBLY INSTRUCTIONS

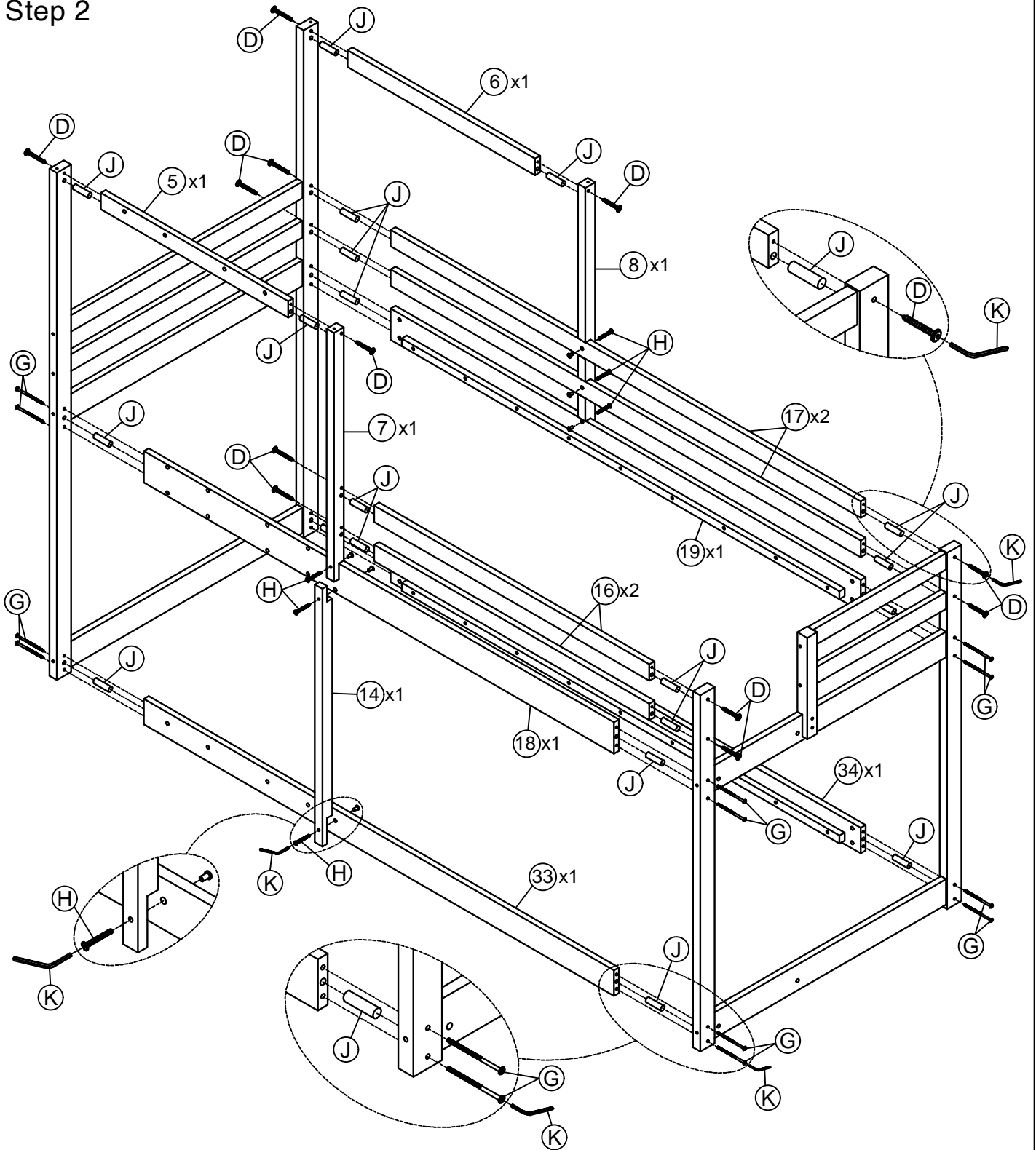
## Step 1








				<b>K</b>	4x58		1PC
<b>C</b>	6.5x100		14PCS	<b>H</b>	1/4x35		2PCS
<b>D</b>	6.5x80		2PCS	<b>J</b>	Ø10x40		32PCS

# ASSEMBLY INSTRUCTIONS

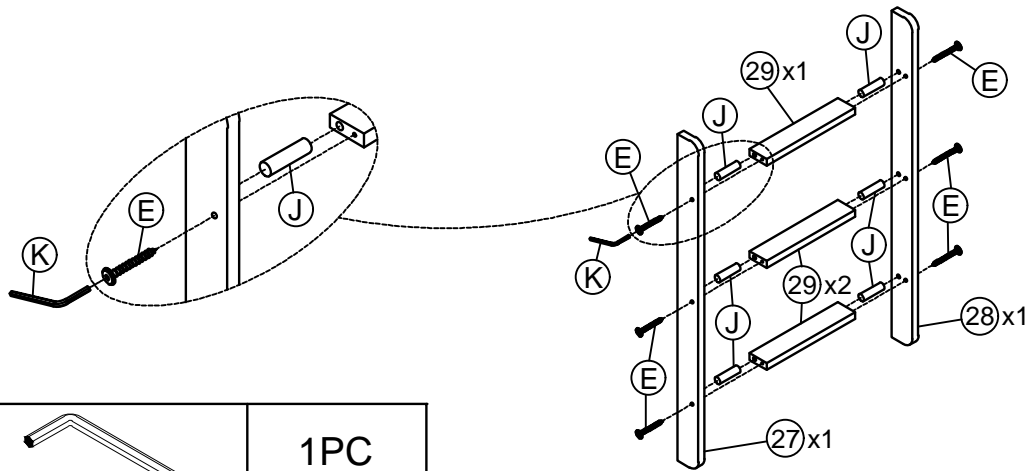
Step 2

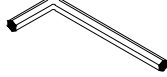




				<b>K</b>	4x58		1PC
<b>D</b>	6.5x80		12PCS	<b>H</b>	1/4x35		6PCS
<b>J</b>	Ø10x40		20PCS	<b>G</b>	1/4x75		16PCS

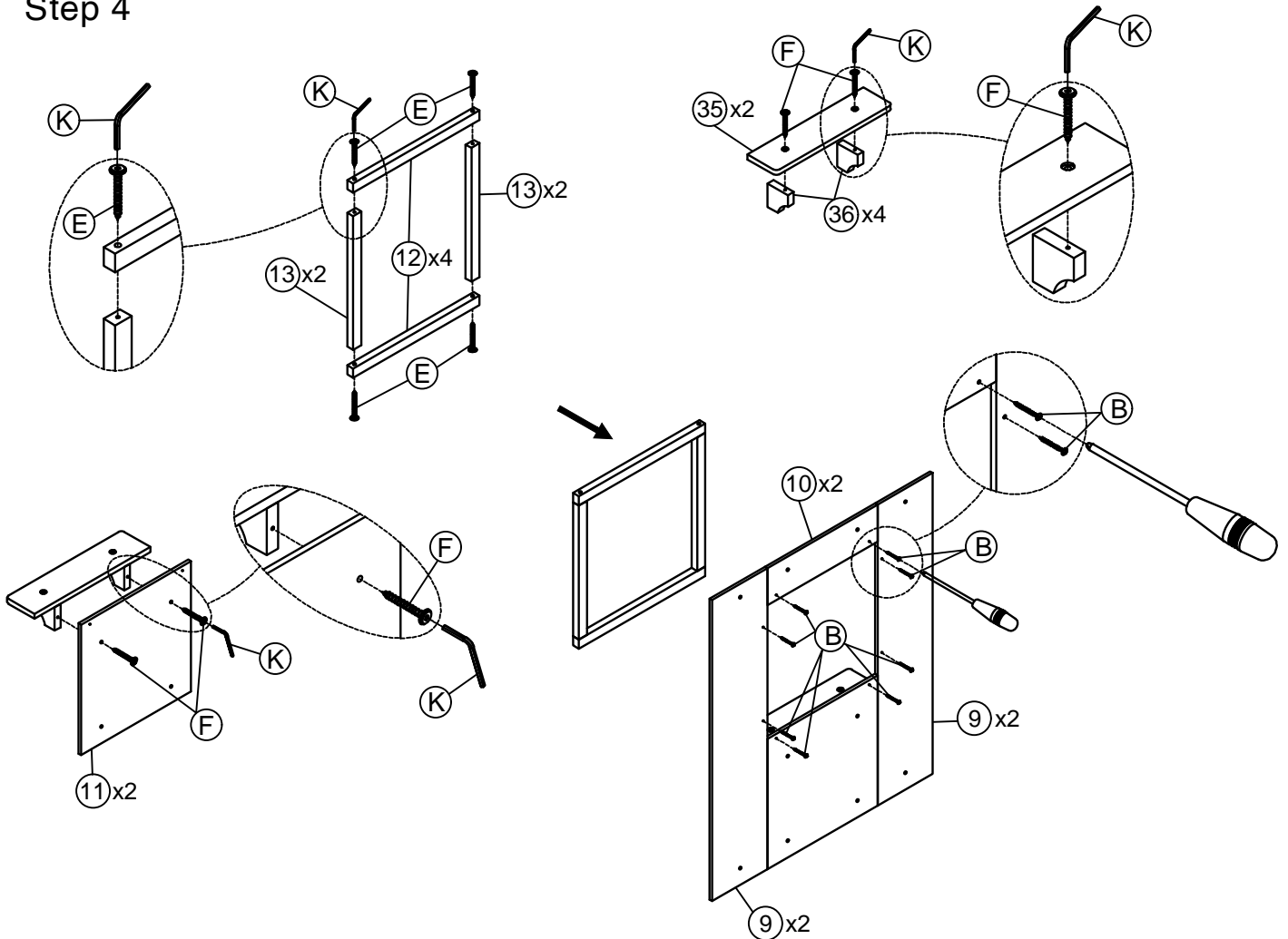
# ASSEMBLY INSTRUCTIONS





## Step 3



<b>K</b>	4x58		1PC				
<b>E</b>	6.5x60		6PCS	<b>J</b>	Ø10x40		6PCS

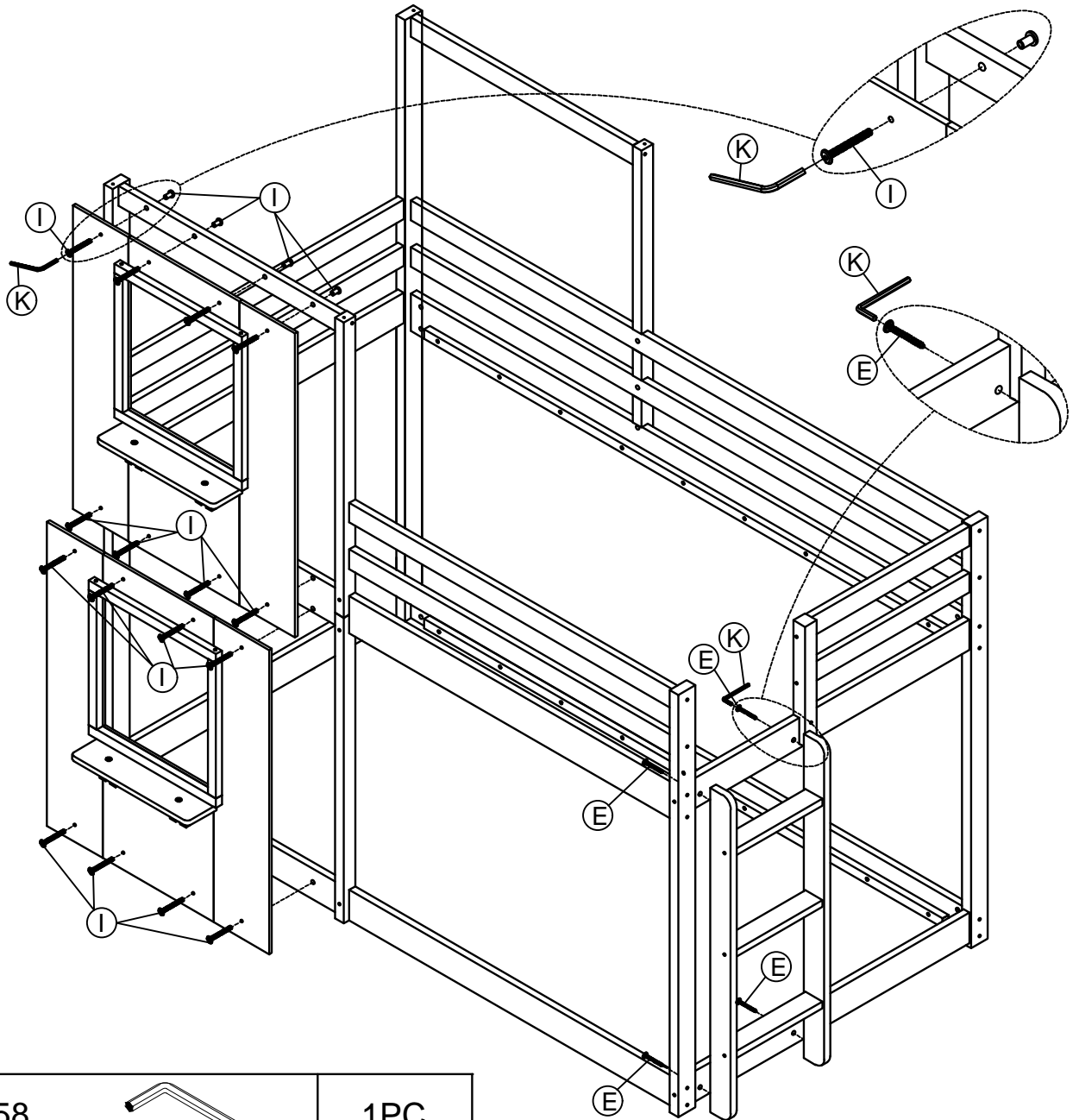
## Step 4






<b>E</b>	6.5x60		8PCS	<b>K</b>	4x58		1PCS
<b>F</b>	6.5x40		8PCS	<b>B</b>	Ø4x25		16PCS

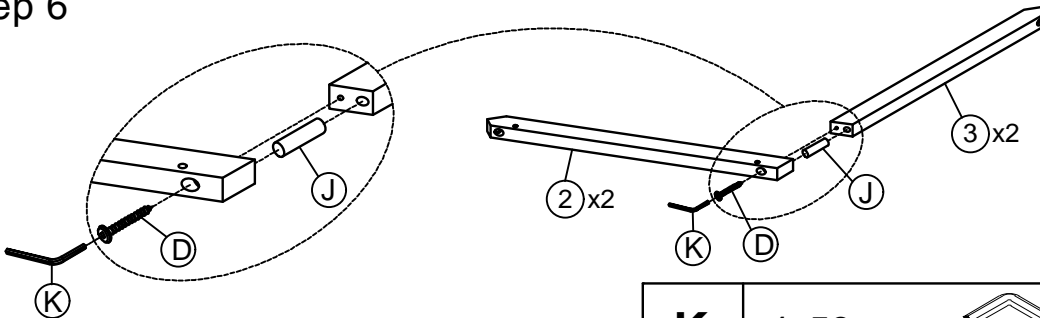
# ASSEMBLY INSTRUCTIONS


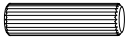

## Step 5



<b>K</b>	4x58		1PC				
<b>I</b>	1/4x25		16PCS	<b>E</b>	6.5x60		4PCS

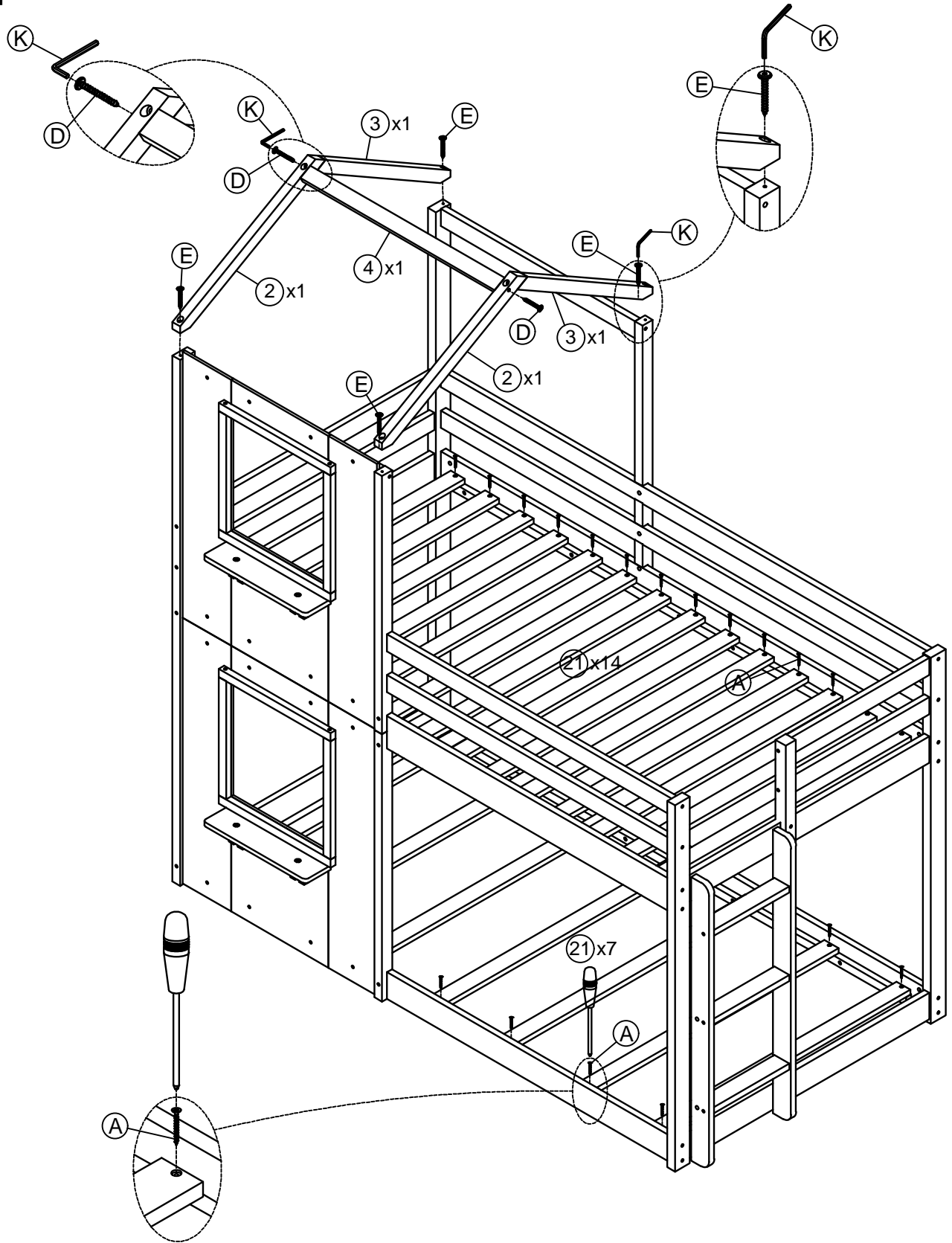
## Step 6







				<b>K</b>	4x58		1PC
<b>J</b>	Ø10x40		2PCS	<b>D</b>	6.5x80		2PCS

# ASSEMBLY INSTRUCTIONS

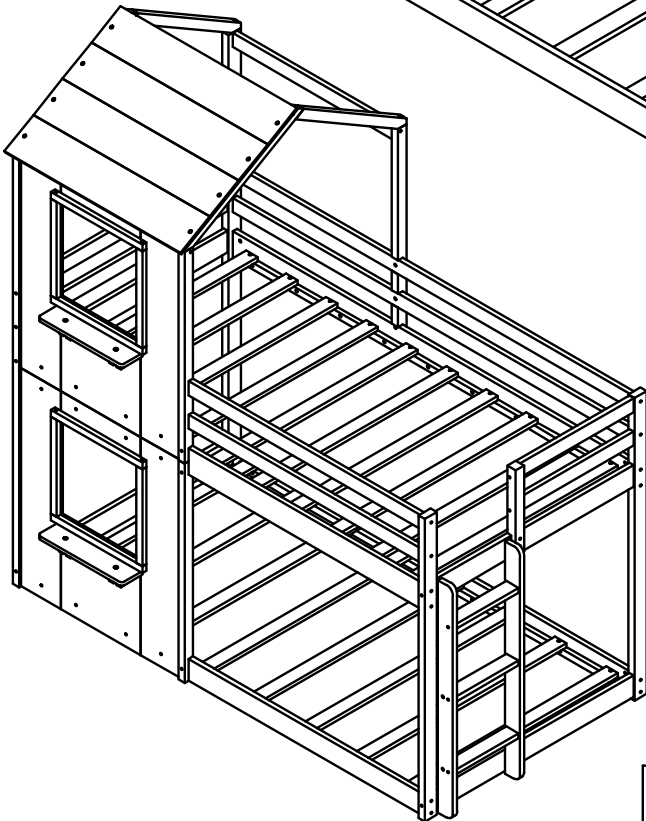
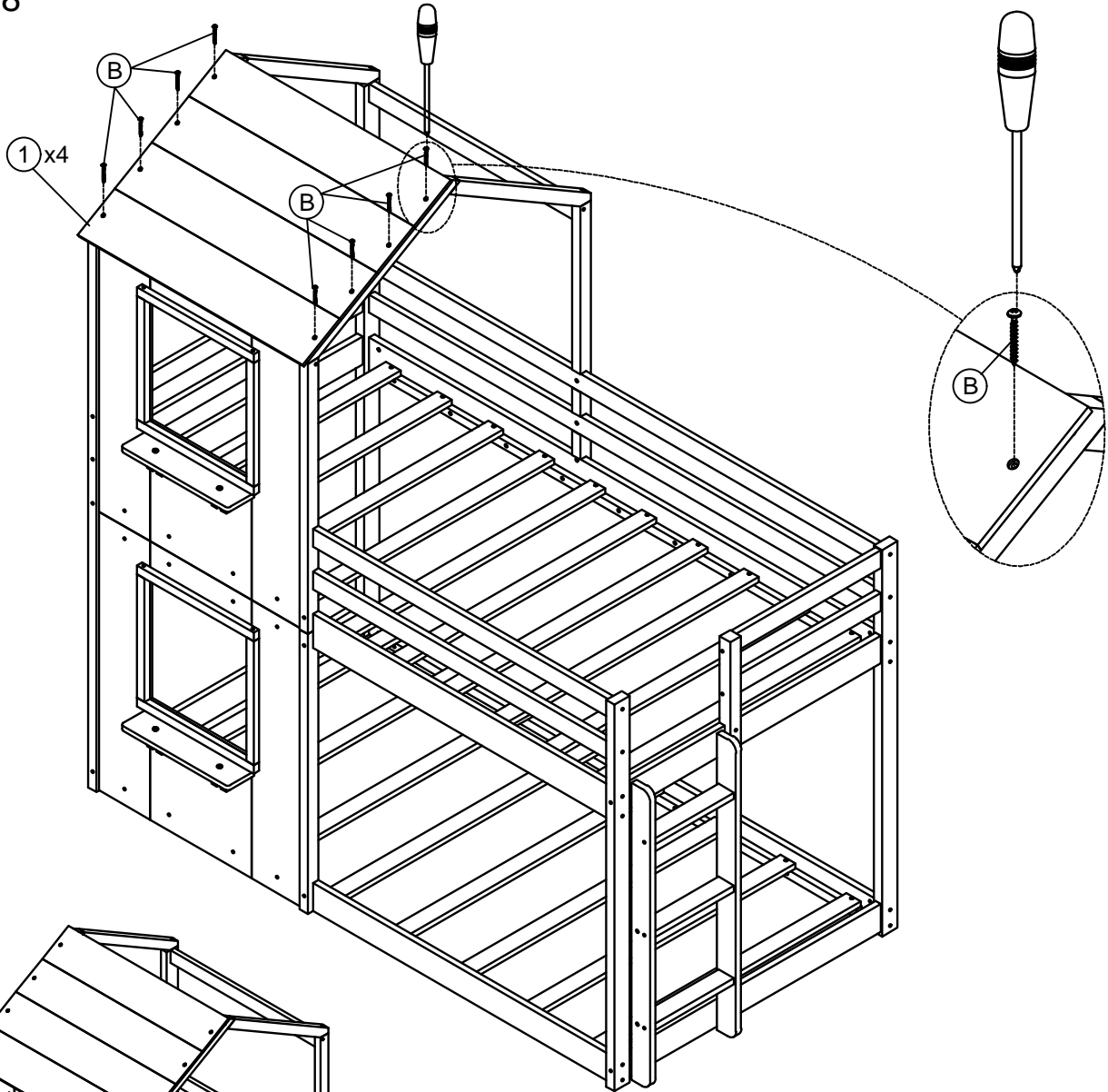
## Step 7



<b>A</b>	Ø4x30		42PCS	<b>E</b>	6.5x60		4PCS
<b>K</b>	4x58		1PC	<b>D</b>	6.5x80		2PCS

# ASSEMBLY INSTRUCTIONS

Step 8



**B**

Ø4x25



8PCS