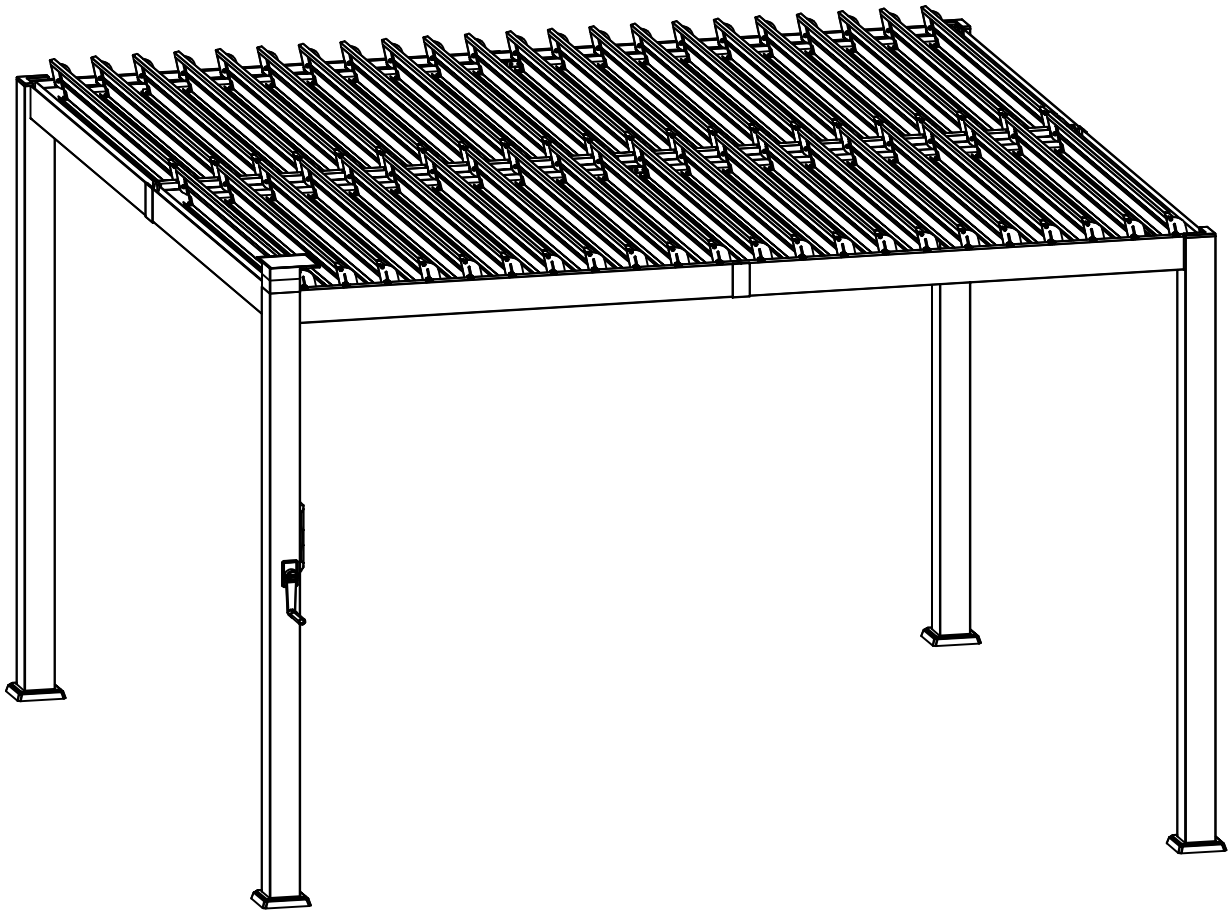


YSTJ251263-10DGYD

YSTJ251263-10WTD

LOUVERED PERGOLA

10*10FT



CONTACT US:24H,Mon~Sun.

 FXserviceteam@163.com

CUSTOMER SUPPORT

Dear customer

Thank you for your purchase.

This product is a non-permanent outdoor structure designed and manufactured for personal use rather than commercial use.

Please confirm whether the installation is permitted in your states firstly.

1. When you receive the product, please make sure that all the boxes have arrived, and all the parts are intact.
2. Please browse the entire installation manual before assembling, retain this instruction manual for future reference.
3. If any problem occurs unsatisfactorily as follows:
 - Lack of boxes, or some boxes are not arrived.
 - The outer box is damaged.
 - The product is damaged / bent / cracked while you open the box.
 - The parts / accessories / assembly tools are missing.
 - The product is hard to assemble.
 - The instructions are not clear, or hoping for assistance with installation.
 - The product has functional problems.
 - The product did not meet your expectations.
 - Other aspects that you are not satisfied with.

Please feel free to contact us for help firstly. If there is any damage, please send us clear photos. We will check and do our best to provide the best solution for you. The missing or damaged parts will be delivered to you within 7 days from our U.S. warehouse.

**DO NOT RETURN YOUR UNIT TO THE STORE
CONTACT US FIRST**

ATTENTION

PREPARATION :

The gazebo needs to be installed in cooperation with three people.

Estimated Assembly Time: 2 Hours.

Site preparation suggestion: Level the ground surface, construct a wooden or concrete base as a foundation.

The following installation tools will be used.



2 m Adjustable Ladder



Tape Measure



Screw Driver



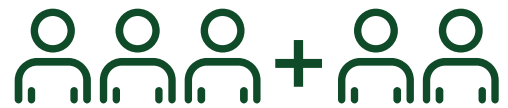
Pistol Drill



Hammer

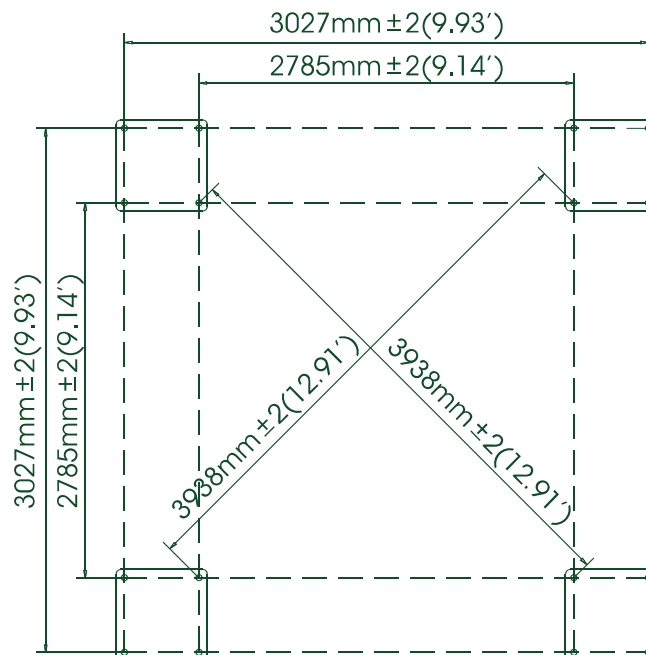


gloves



3 people

Minimum foundation size:



ATTENTION

CAUTION :

1. Tighten each bolt firmly and properly. Do not completely tighten the screws until all screws are started.
2. Some parts may contain sharp edges. Wear protective gloves in the box as necessary.
3. Children under the age of 16 should not be engaged in the assembly, removal or disassembly of the product.
4. It is strongly recommended to hire a professional installation team.

WARNING :

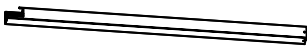
1. Children under the age of 10 should be supervised by a competent adult while using this furniture.
2. Please keep children out of the assembly area during assembly.
3. Never use this product as a support. Do not shake, lean, or climb on the product any time.
4. Please take appropriate measures to deal with the bad weather. Heavy rain, wind and snow may damage the gazebo. If necessary please dis-assemble and store for later use.
5. In snowy weather, please ensure that the thickness of snow on the roof does not exceed 5 inches, If it does, please remove the snow as soon as possible to ensure safety.
6. When the wind force reaches scale 8, please take corresponding measures to reinforce the gazebo to prevent it from being damaged by the wind, and be cautious of safety issues during strong wind conditions.
7. It is necessary to use anchor bolts, expansion bolts and ropes to fix the gazebo to the foundation for Long-term stability.
8. We offer a one-year warranty, excluding damages caused by improper installation, incorrect usage, failure to use the fixing accessories, unclean snow, or failure to take preventive measures.
9. Stay away from open flames.

PARTS LIST

1. Please ensure that all parts, accessories and installation tools are complete before starting the installation.
2. Due to the variety of accessories, some parts may be glued together, some parts may be trapped inside the larger ones, please check carefully.
3. In case you cannot find or lose some small parts or screws during installation, we have provided extra parts, it is a bag with "Additional Parts" label.
4. If any accessories are missing or damaged, please contact us immediately.

✉ FXserviceteam@163.com

CARTON:A



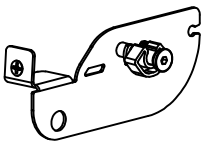
A1*2



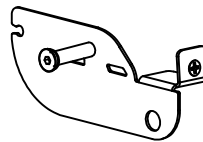
A2*1



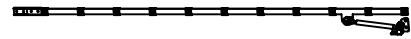
A3*1



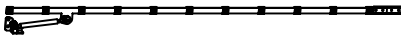
G1*44+1



G2*44+1



D1*1

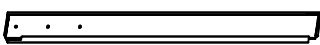


D2*1

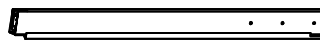


D3*2

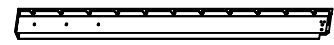
CARTON:B



B1*2



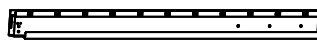
B2*2



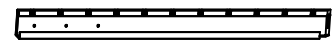
B3*1



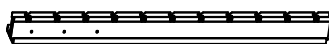
B4*1



B5*1



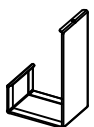
B6*1



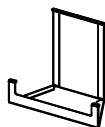
B7*1



B8*1



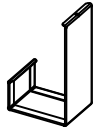
M2*2



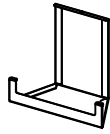
M3*2

PARTS LIST

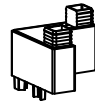
CARTON: B



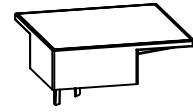
M2*2



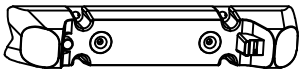
M3*2



H2*1



H3*1



L2*1



L3*1



L4*1

CARTON: C



C*22



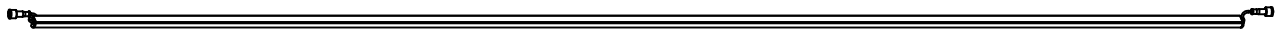
D4*4



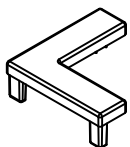
B11*1



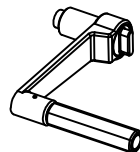
E1*4 (1310mm)



E2*4 (1310mm)



H1*3



K*2



P*88+5

PARTS LIST

CARTON:D



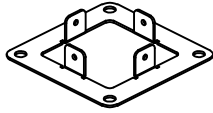
C*22



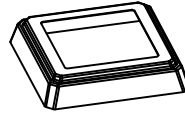
B9*2



B10*2



F1*4



F2*4



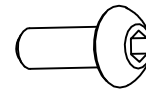
L1*2



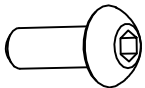
M1*1



Q*1



M6*14mm
AA1*94+2



M6*18mm
AA2*2



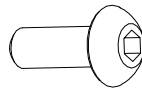
M4*8mm
BB*8+1



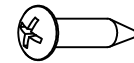
M5*12mm
CC1*2



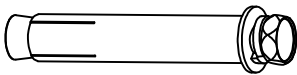
CC2*2



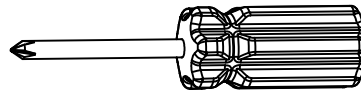
M5*12mm
DD1*4



M5*25mm
DD2*2



EE*16



FF*2



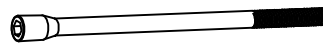
GG*2



HH*2



JJ*1



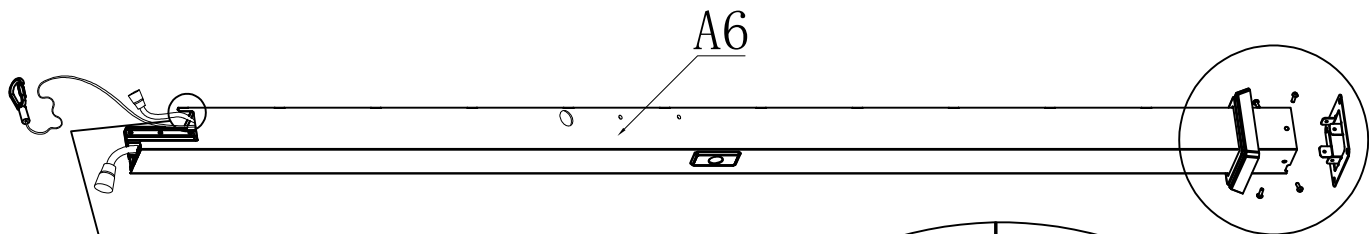
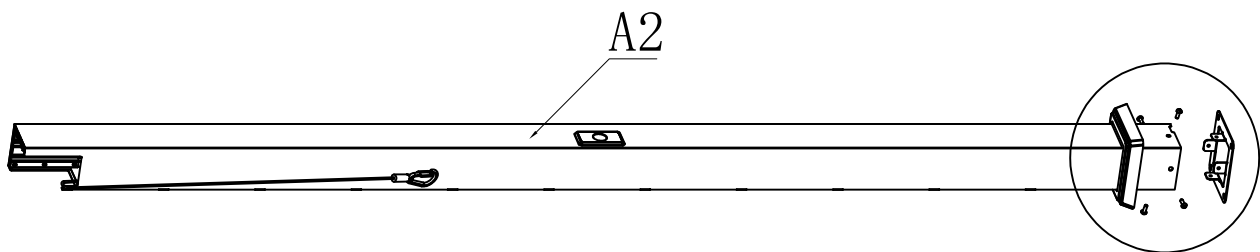
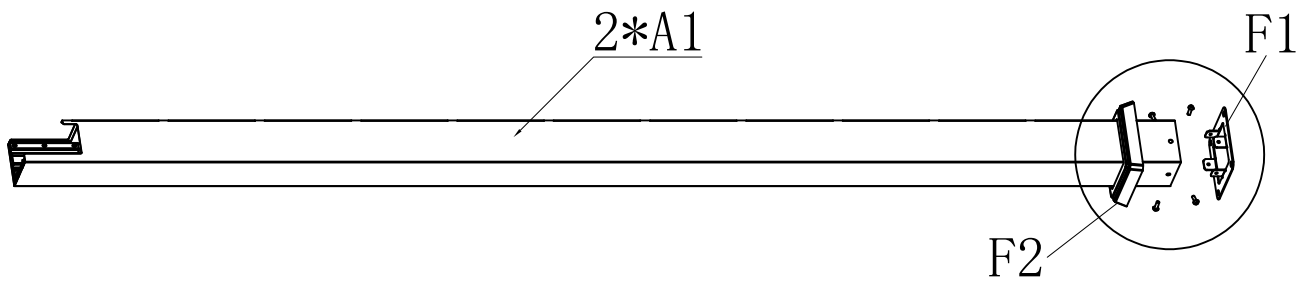
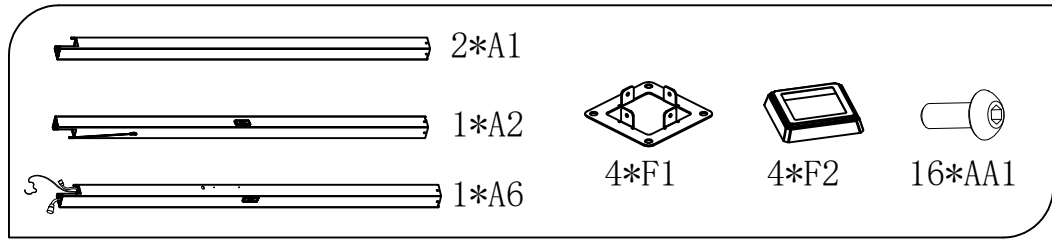
KK*16



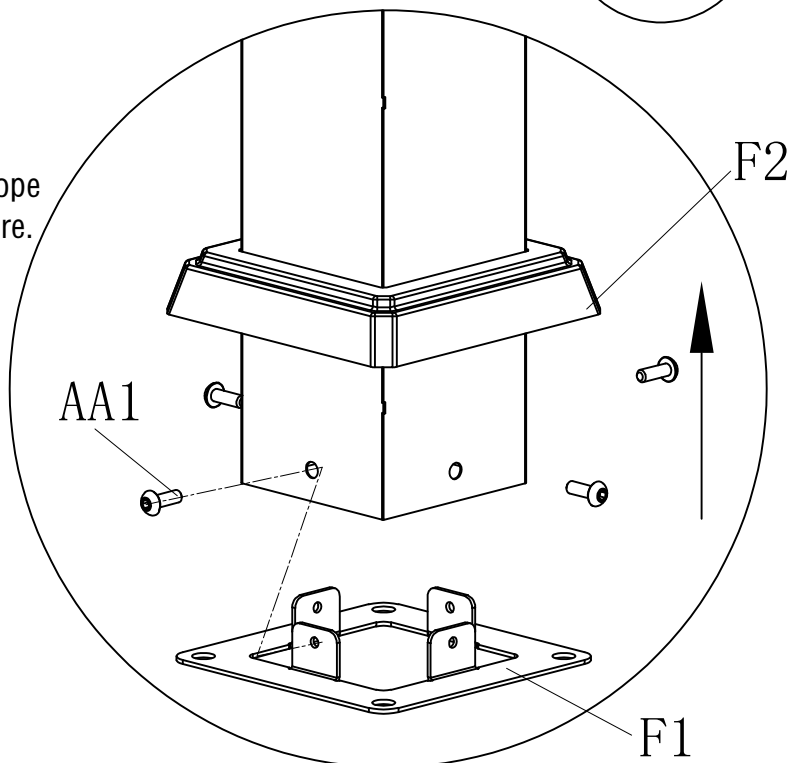
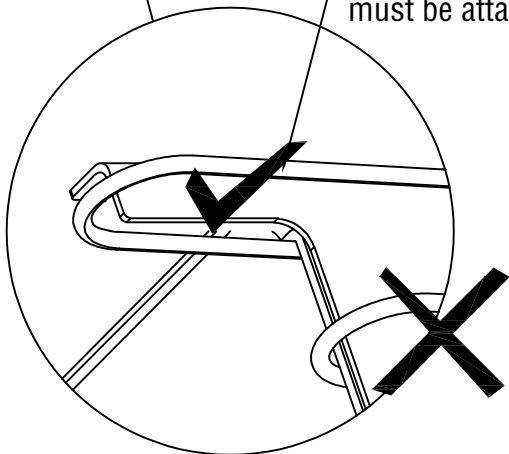
LL*16+1

Installation steps

STEP:01

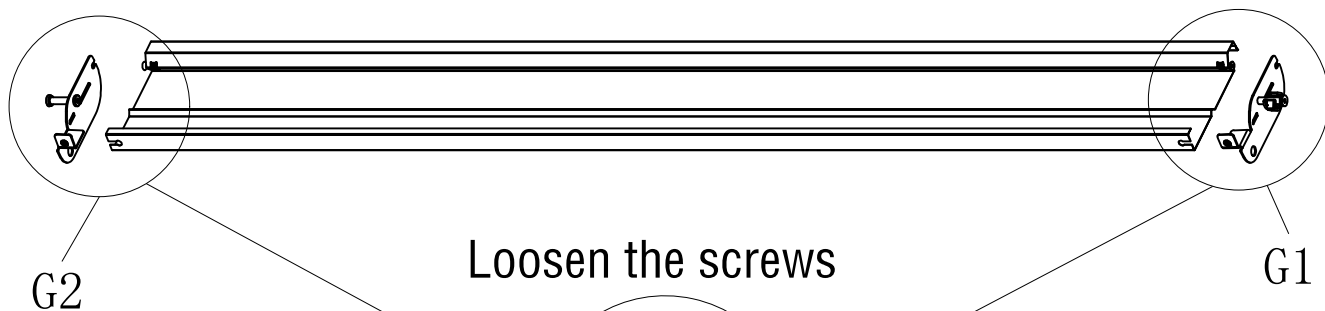
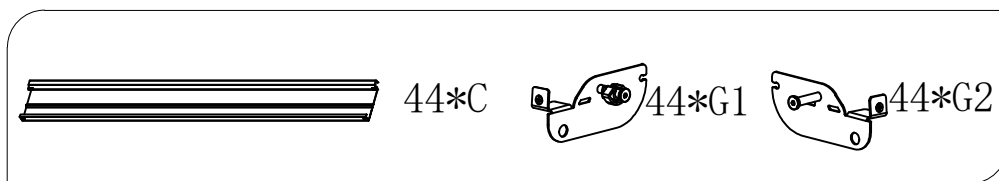


Note: The hanging rope must be attached here.

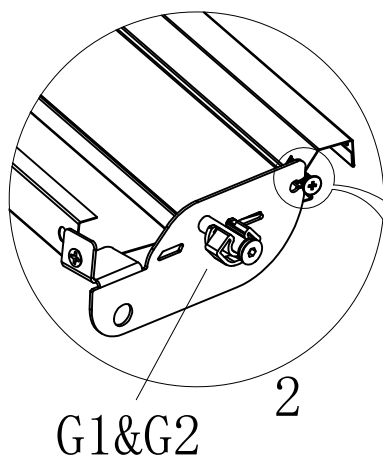
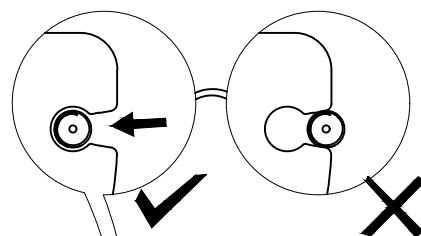
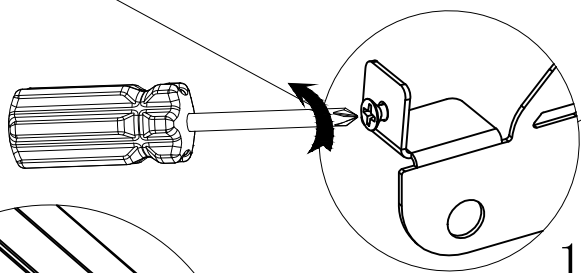


Installation steps

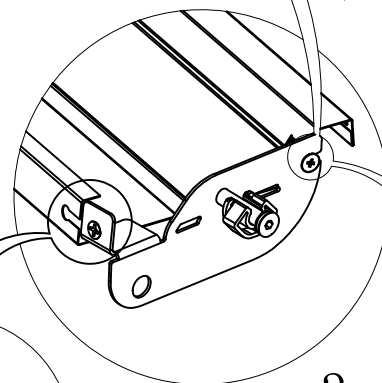
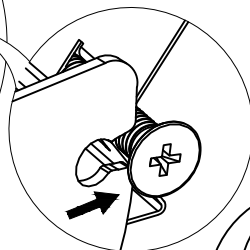
STEP:02



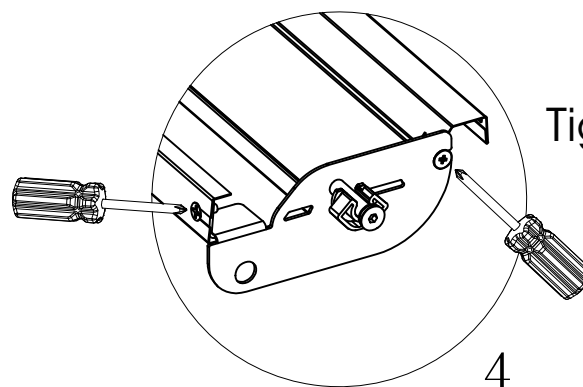
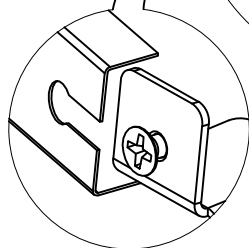
Loosen the screws



2



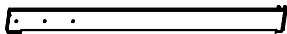
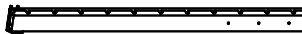


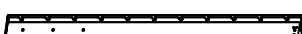

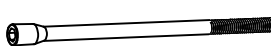

3



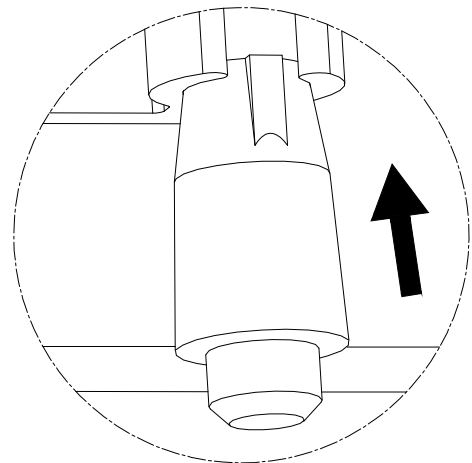
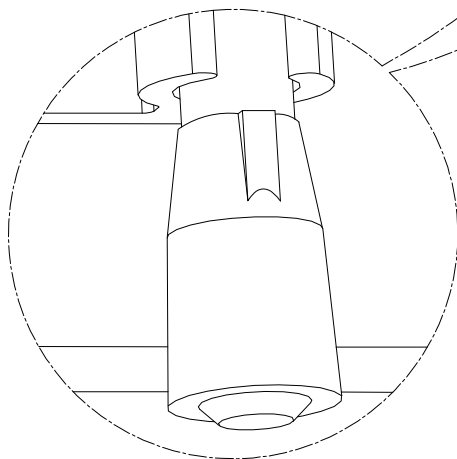
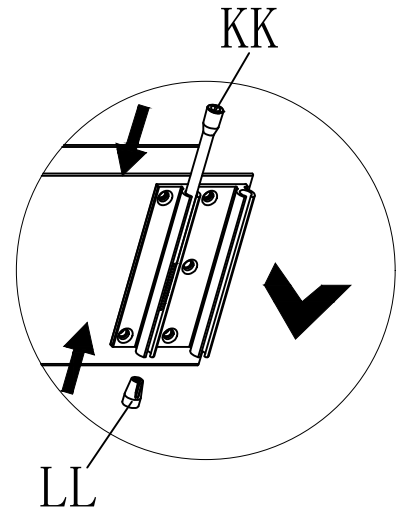
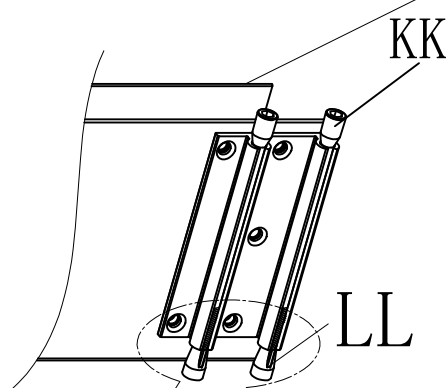
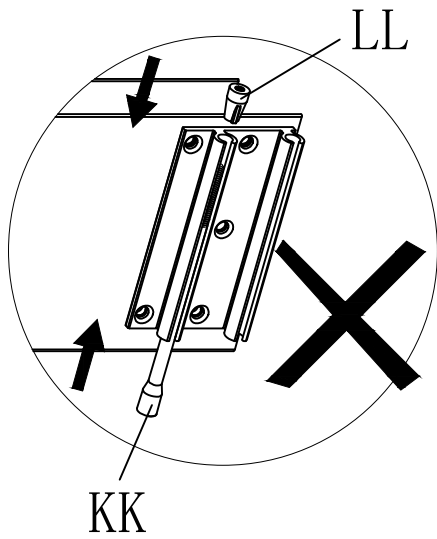
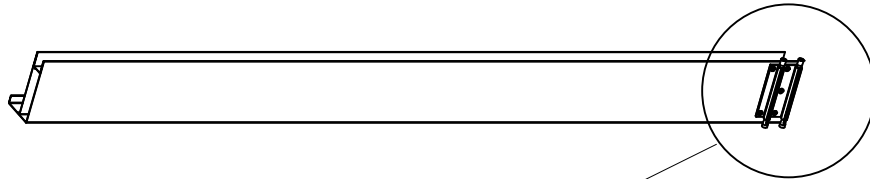
Tighten the screws

Installation steps

STEP:03

	2*B1		1*B4
	2*B2		1*B5
	1*B3		1*B6
	16*KK		16*LL

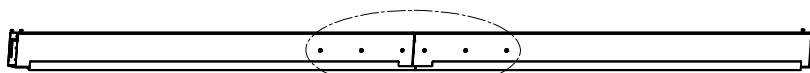
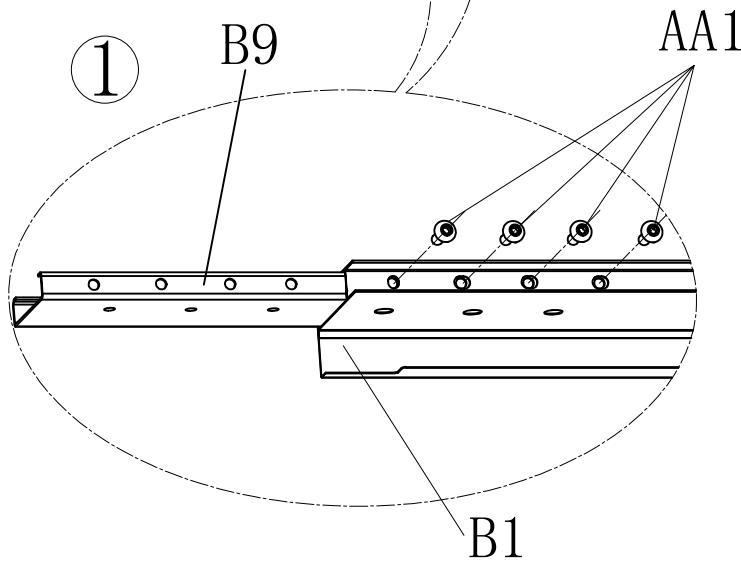
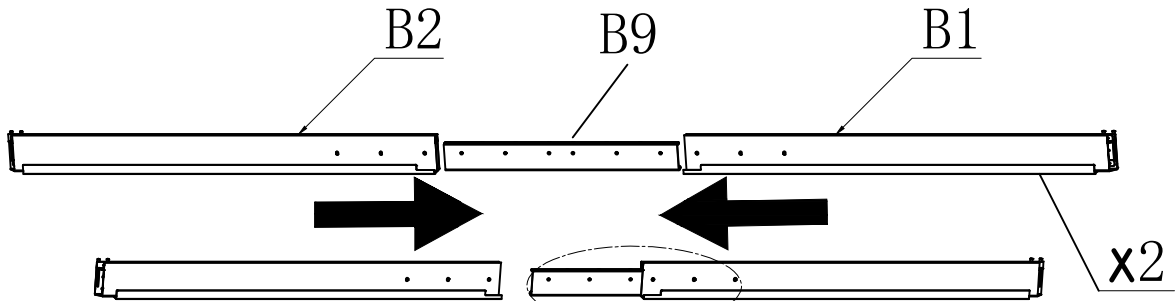
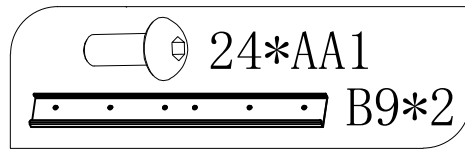
B1 B2*2 B3 B4 B5 B6*1



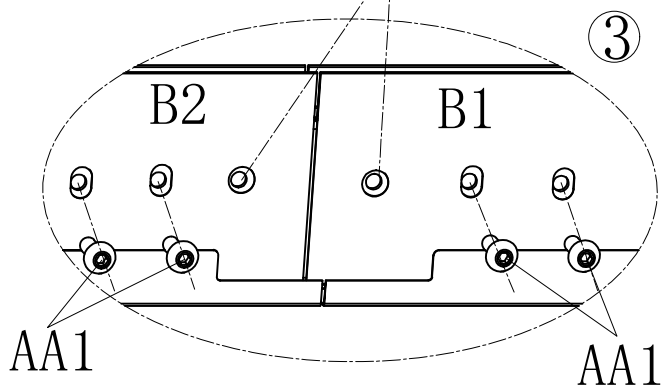
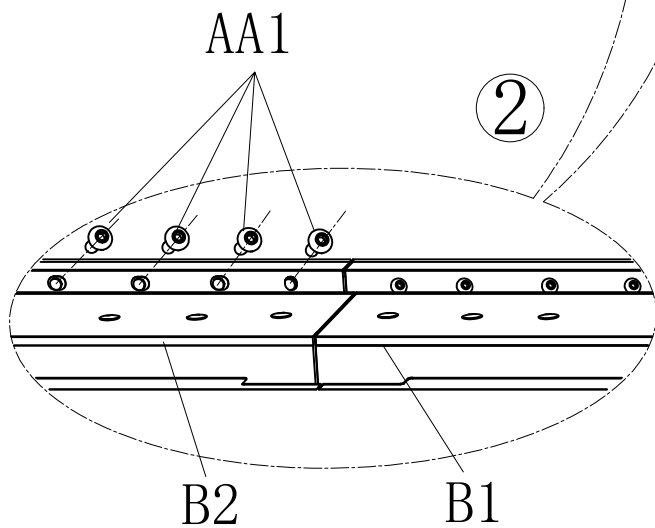
Please hand-tighten the conical nut, keeping the nut's boss aligned with the opening slot.

Installation steps

STEP:04



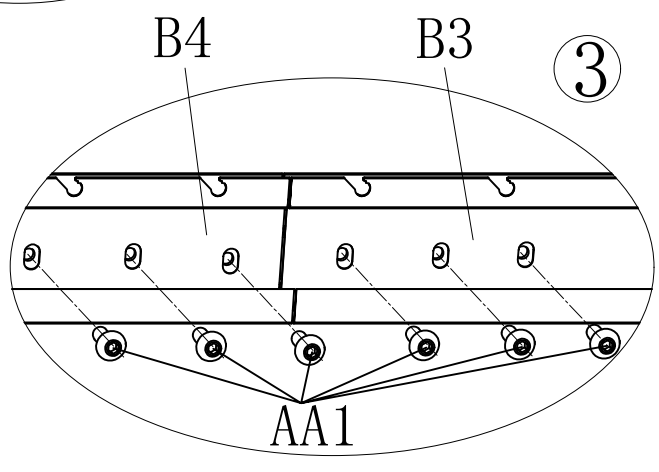
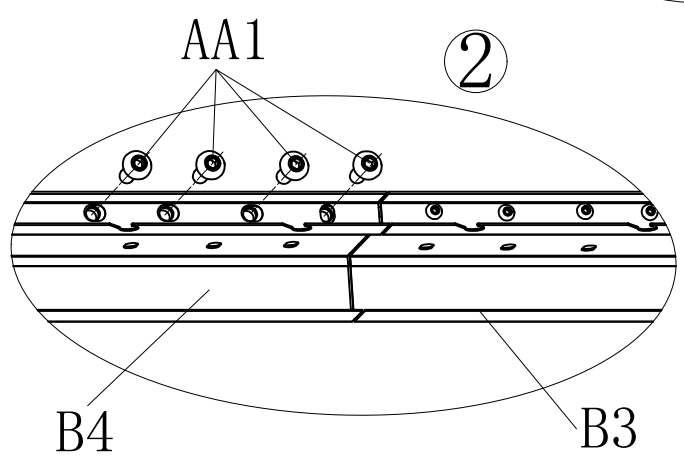
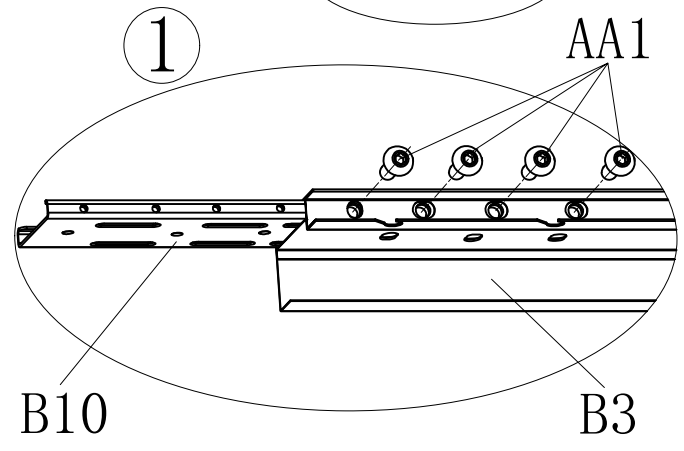
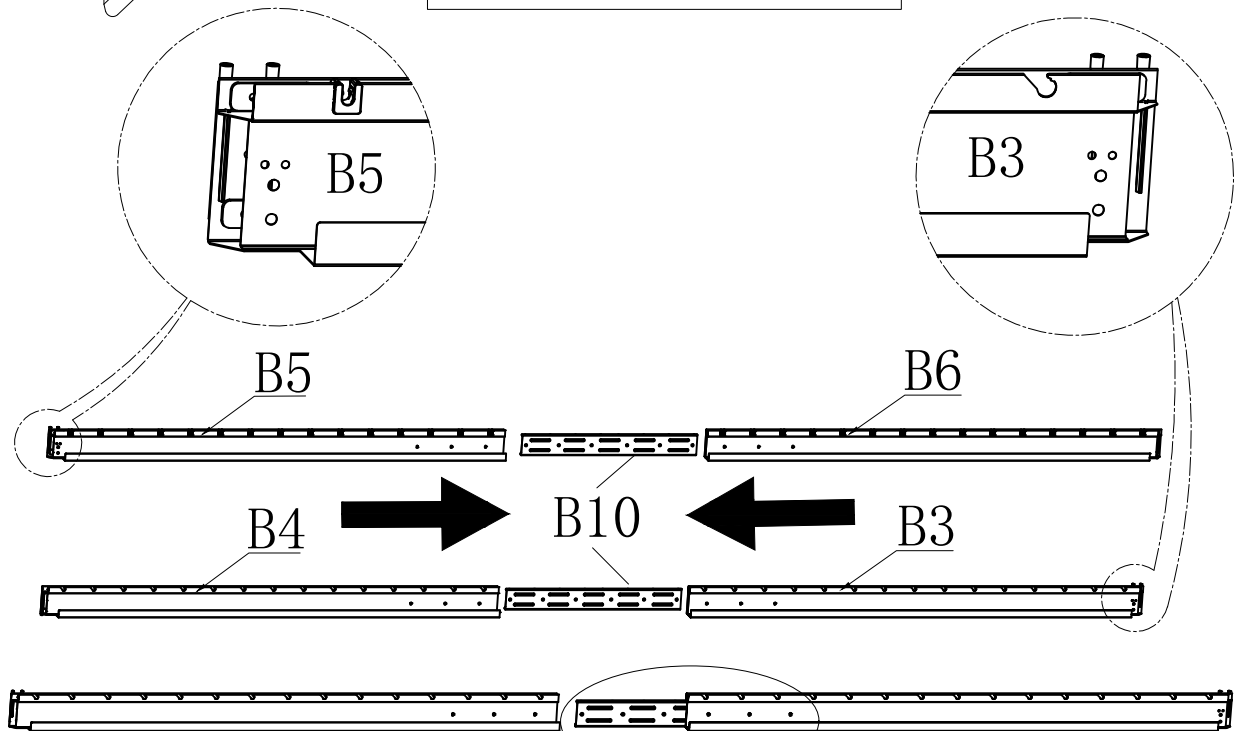
The rst hole is not locked.



Installation steps

STEP:05

28*AA1
B10*2



Installation steps

STEP:06

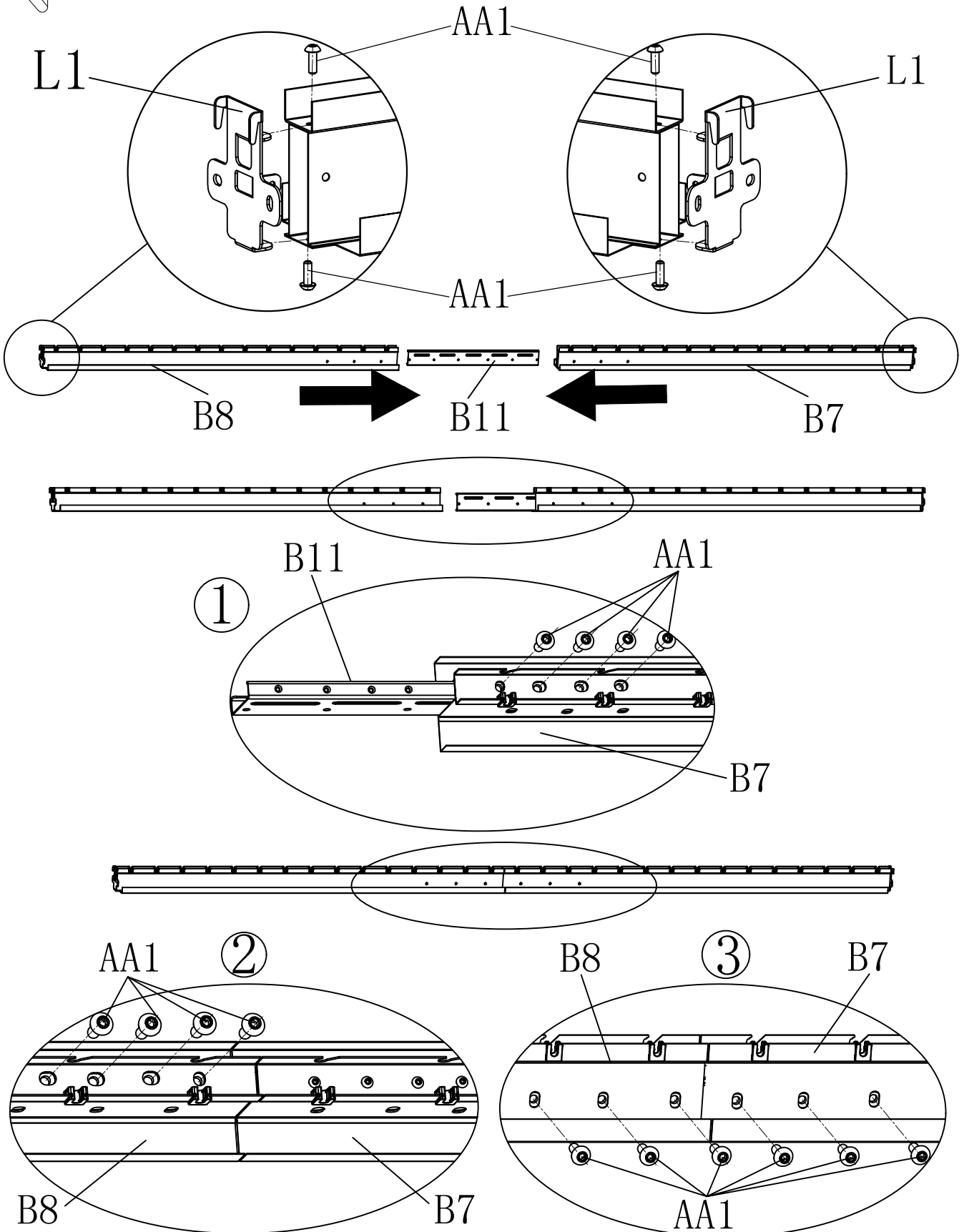
18*AA1

B7*1

L1*2

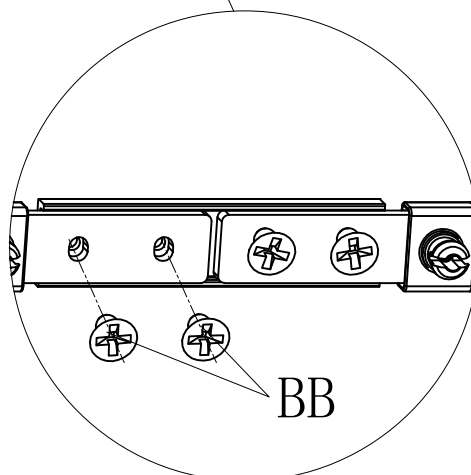
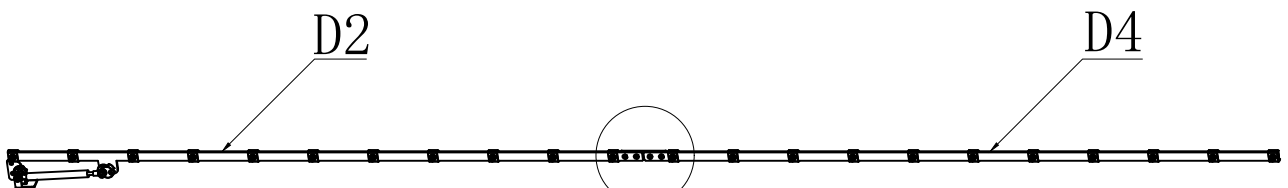
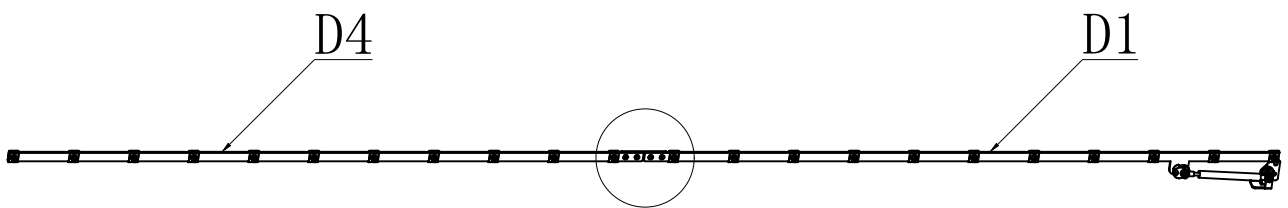
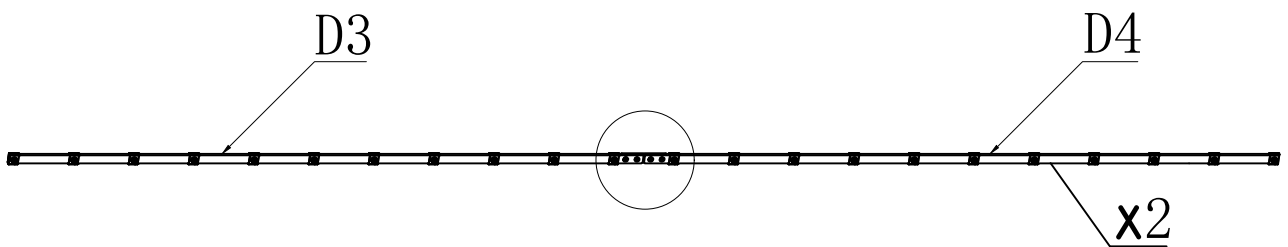
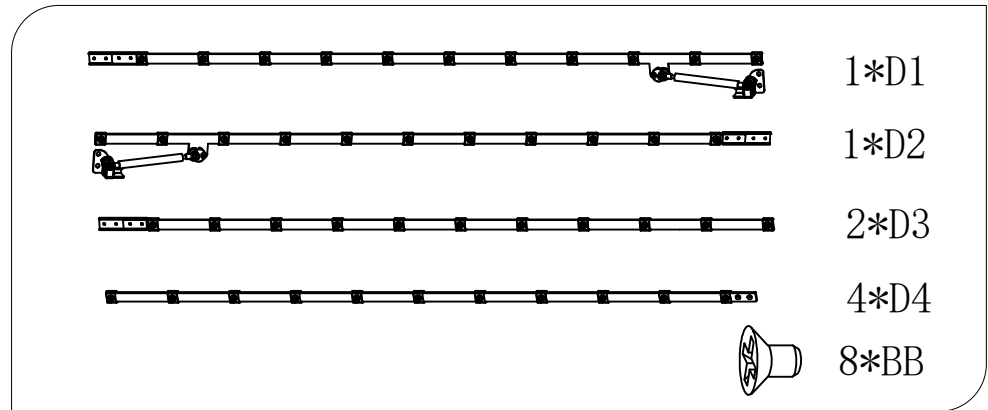
B11*1

B8*1



Installation steps

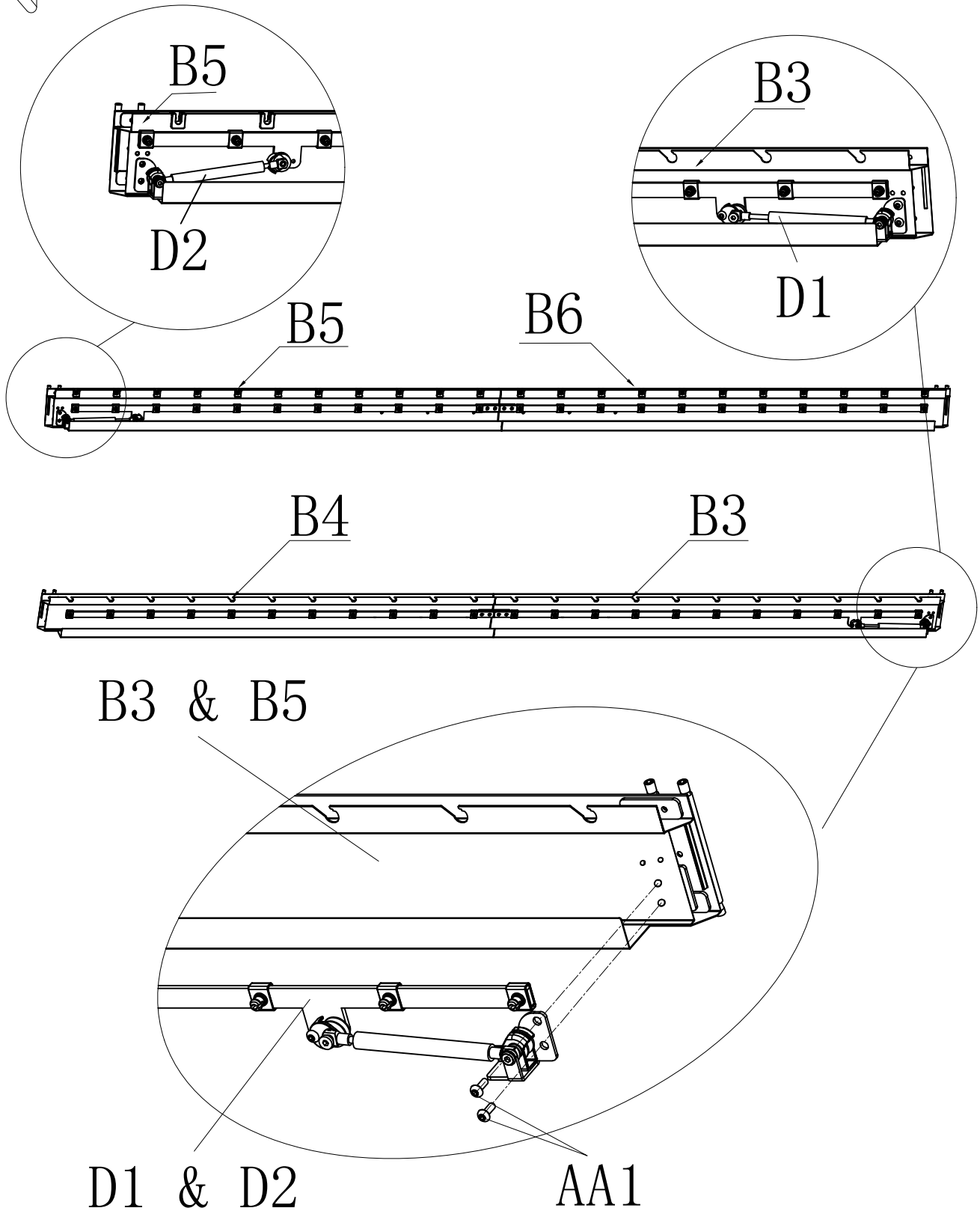
STEP:07



Installation steps

STEP:08

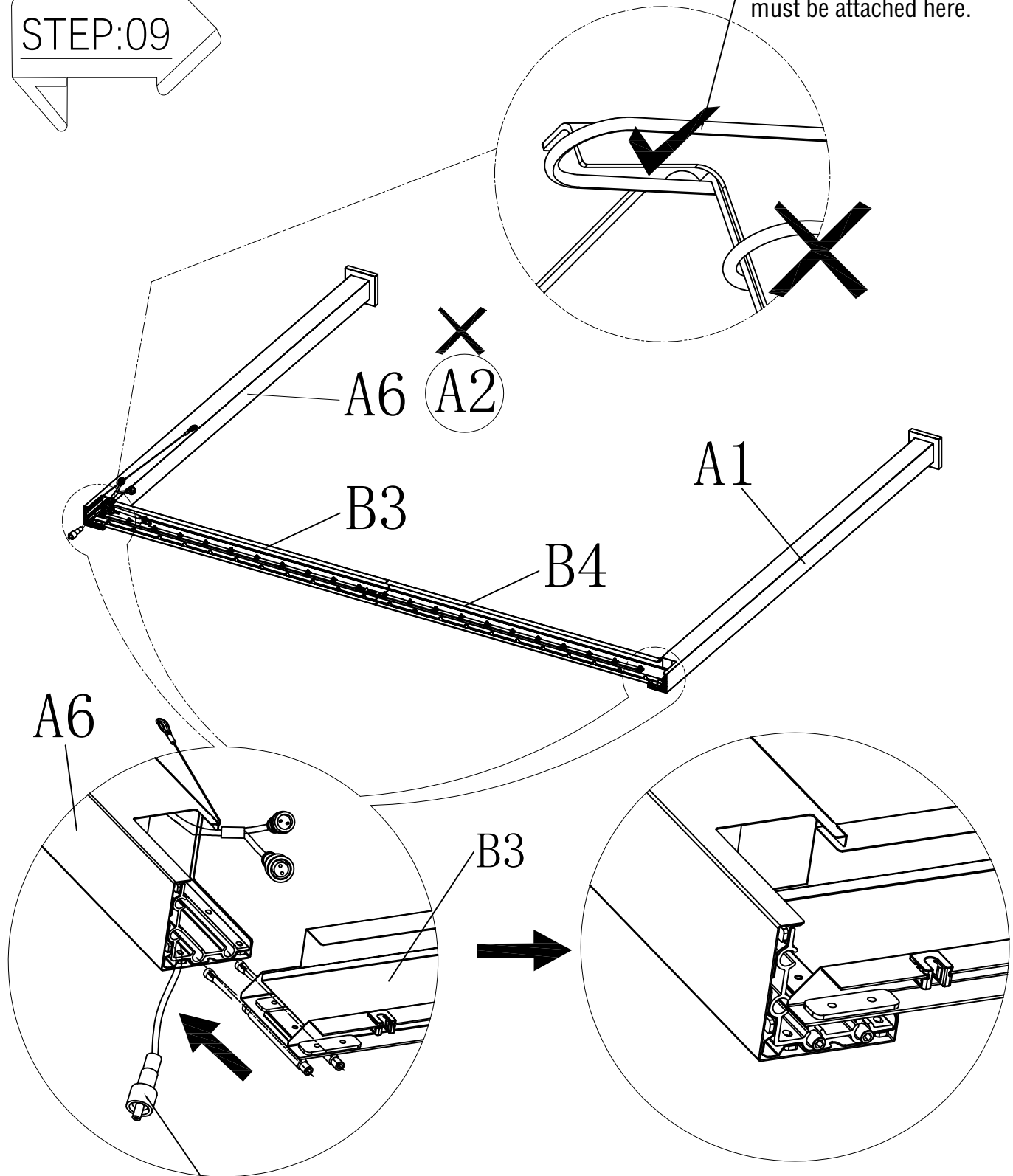
4*AA1



Installation steps

STEP:09

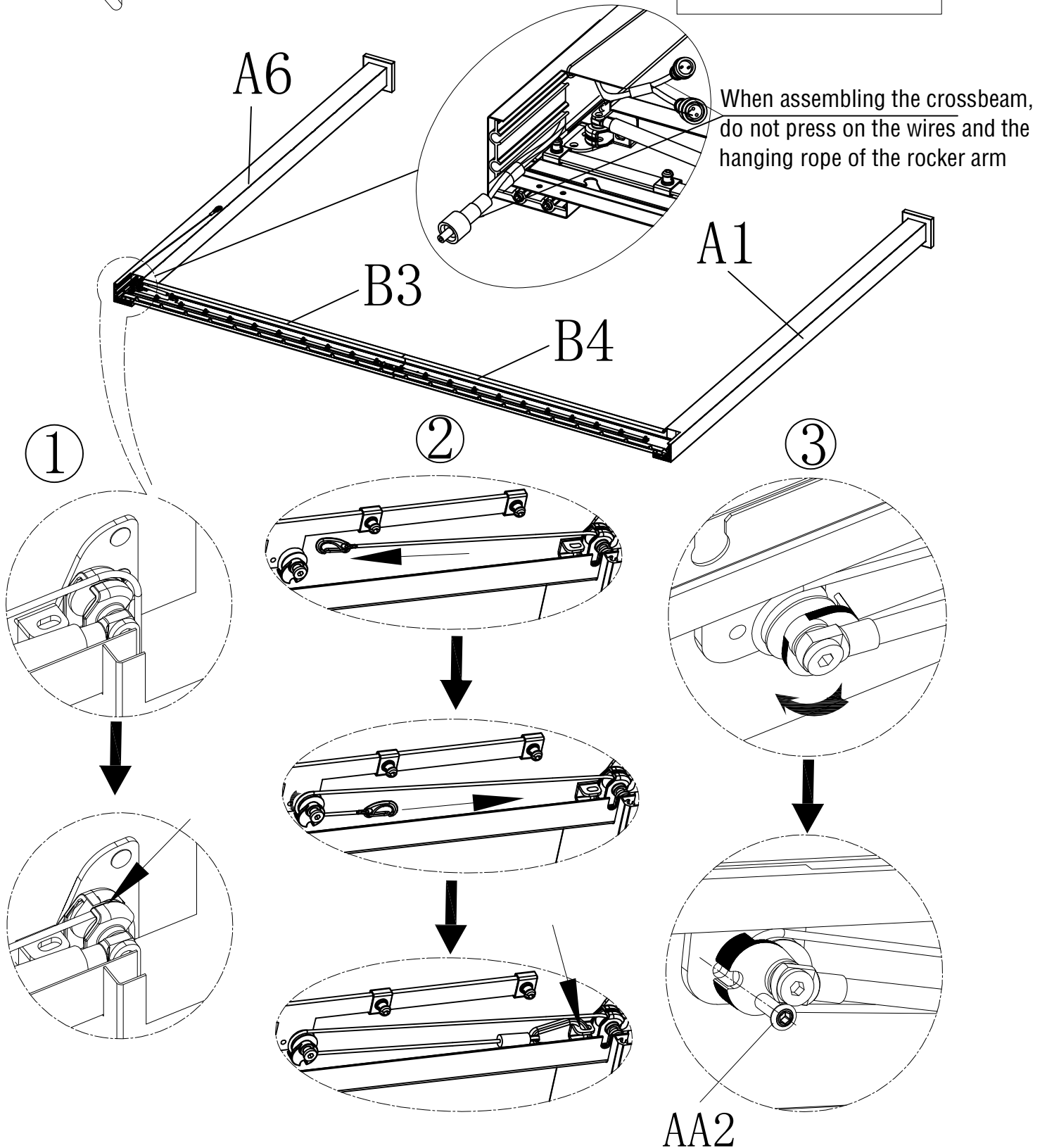
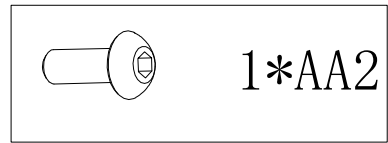
Note: The hanging rope must be attached here.



When assembling the crossbeam, first pull out the light wires and the rope for the hand crank hook. Ensure the light wires are securely fastened to prevent them from falling into the tube.

Installation steps

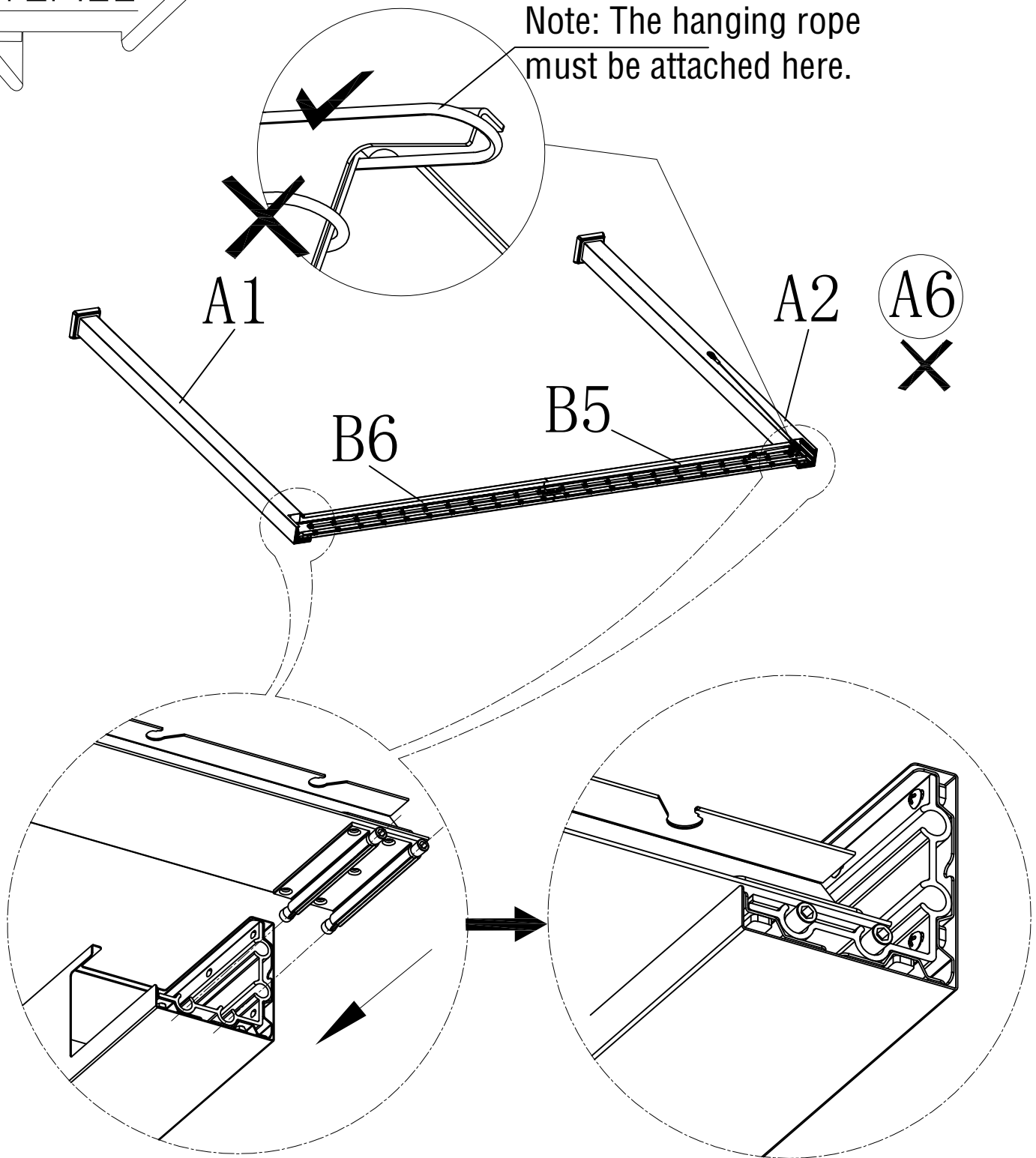
STEP:10



Installation steps

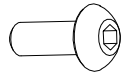
STEP:11

Note: The hanging rope must be attached here.

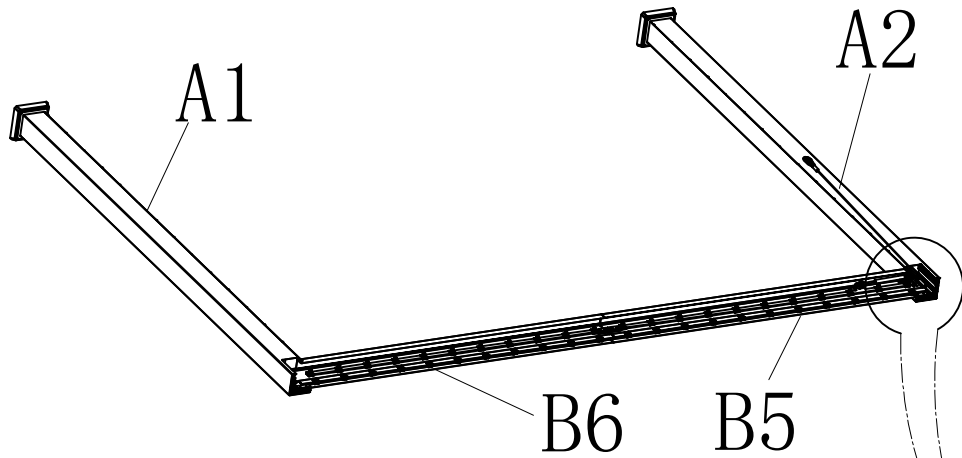


Installation steps

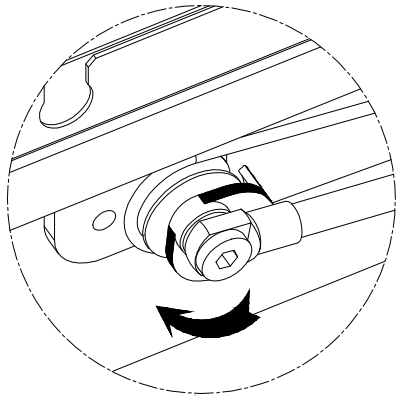
STEP:12



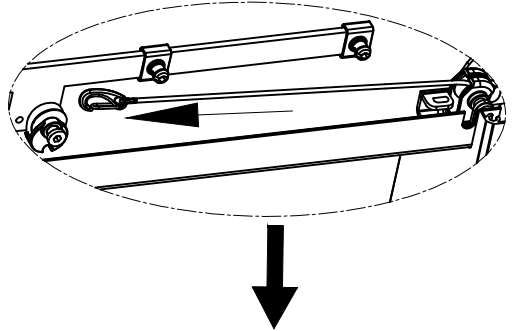
1*AA2



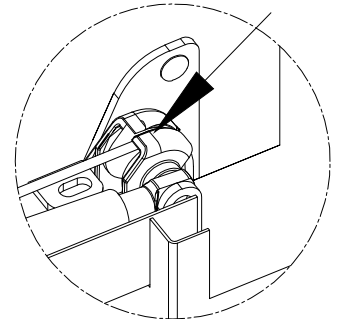
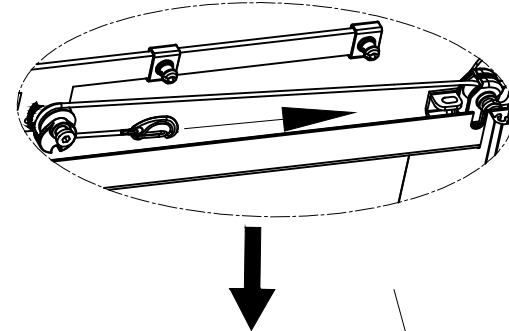
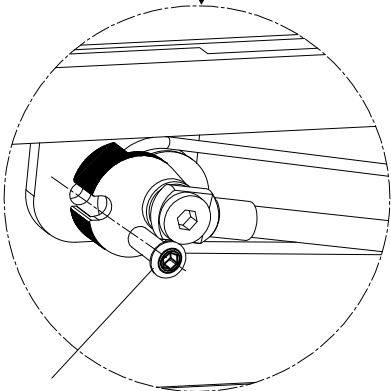
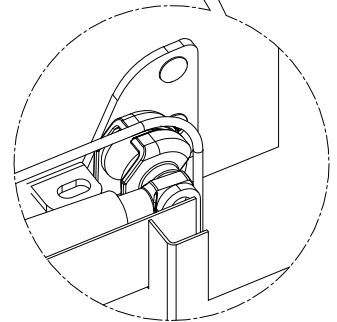
③



②



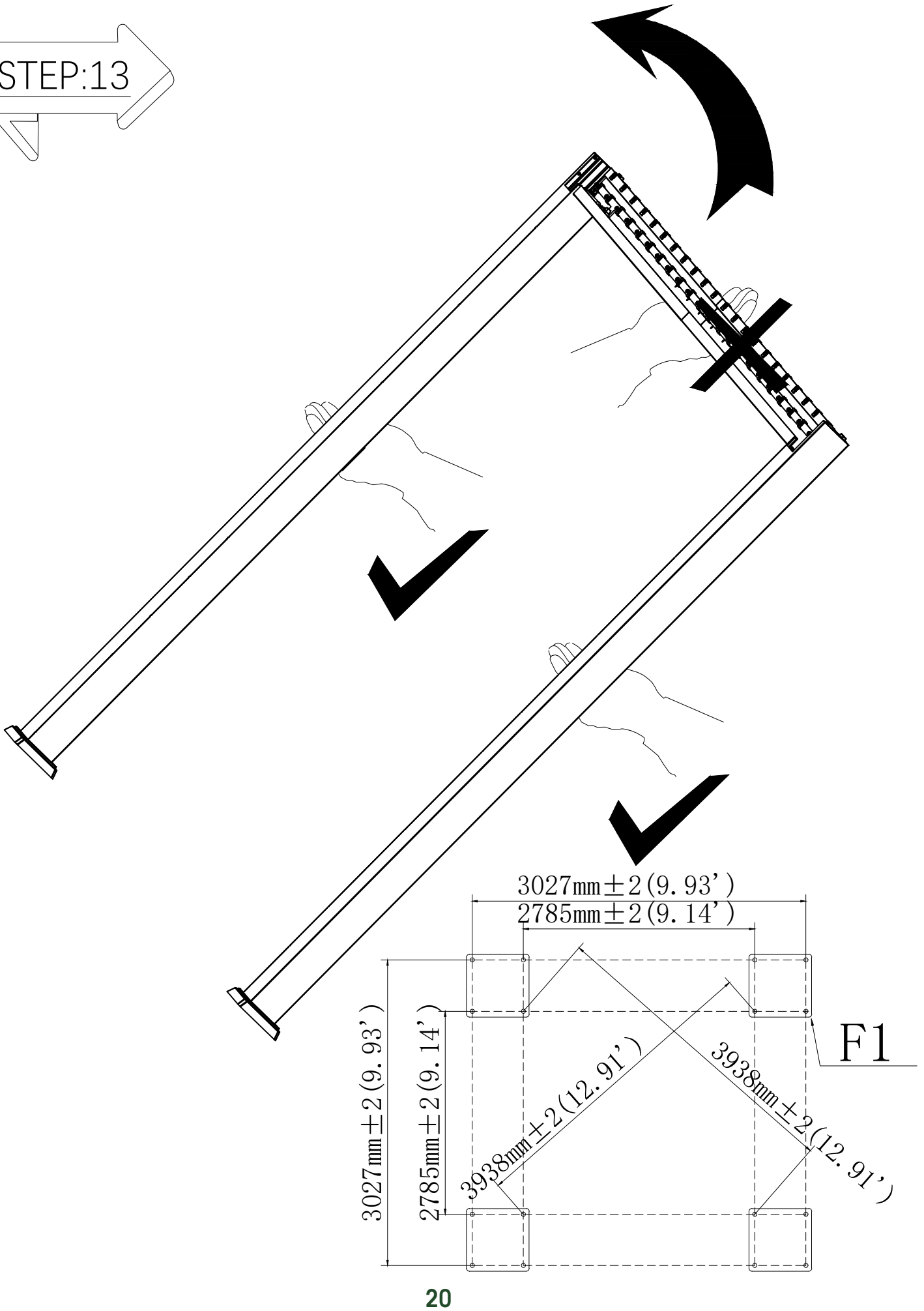
①



AA2

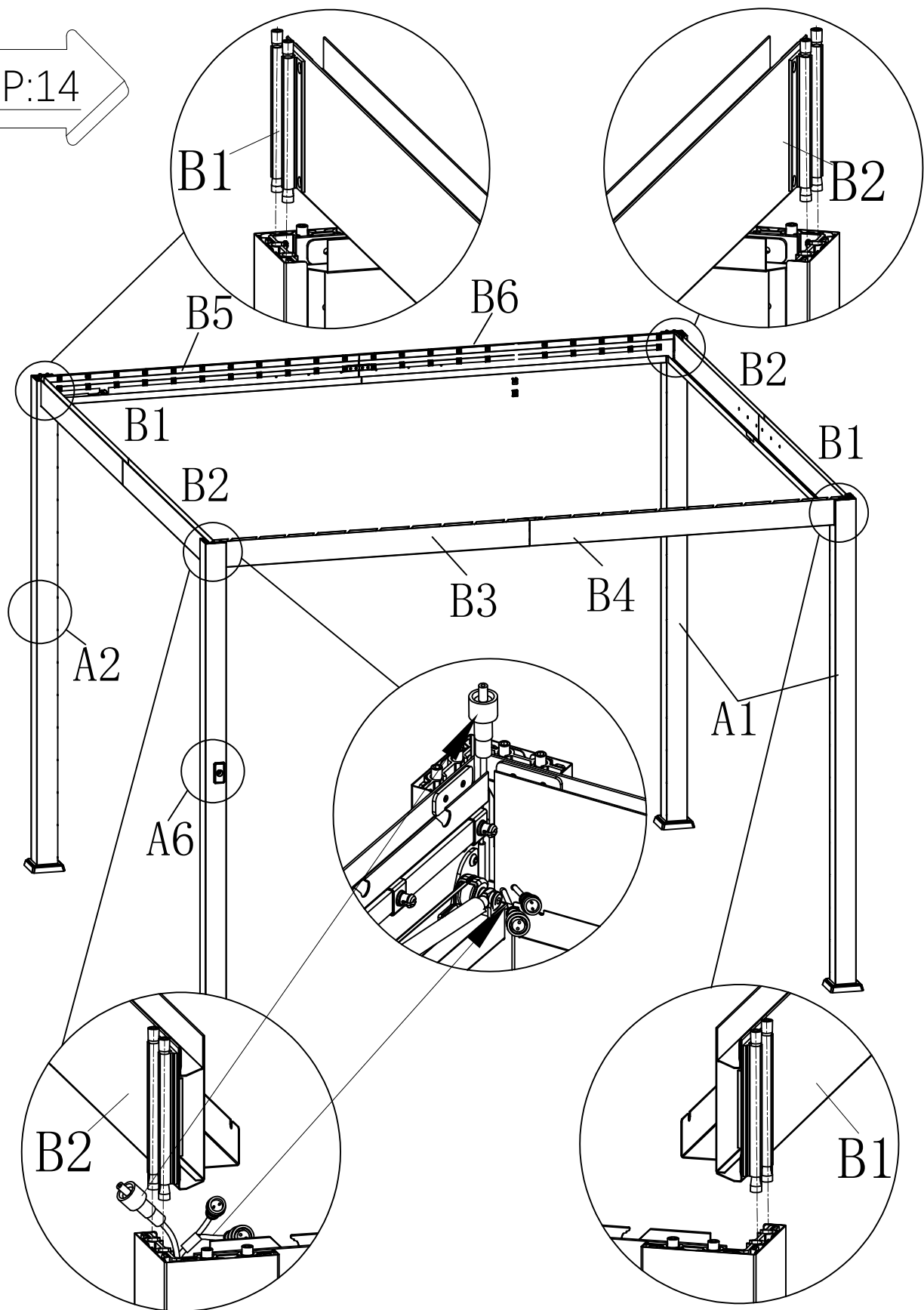
Installation steps

STEP:13



Installation steps


STEP:14

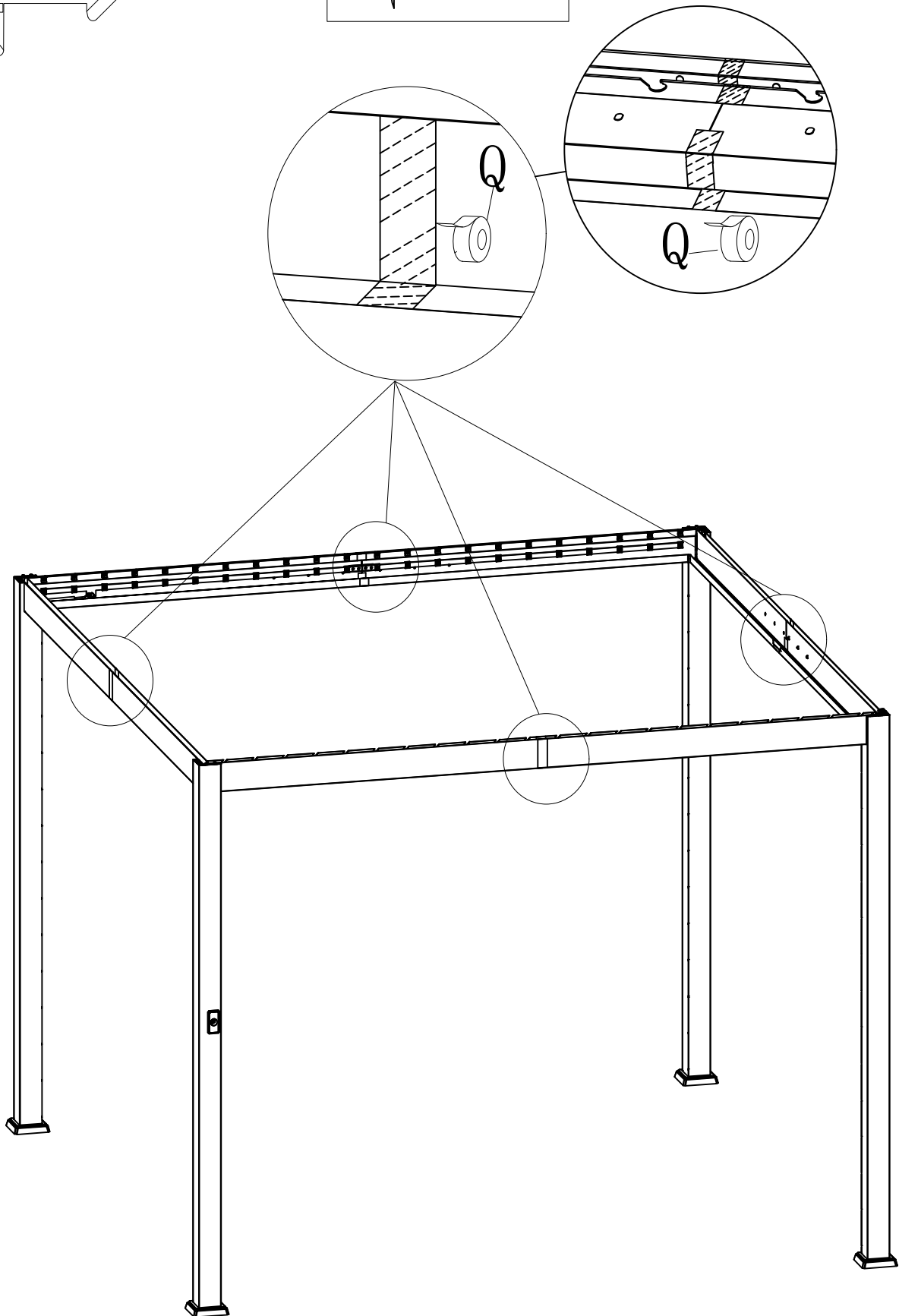


When assembling the crossbeam, pay attention to distinguishing the upper and lower positions of the two types of filaments, with double heads at the bottom of the column and single heads at the top of the column. Pay attention to fixing the light wire to prevent it from falling into the pipeline.

Installation steps

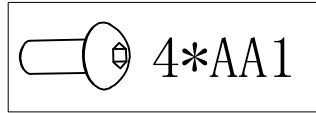
STEP:15

 1*Q

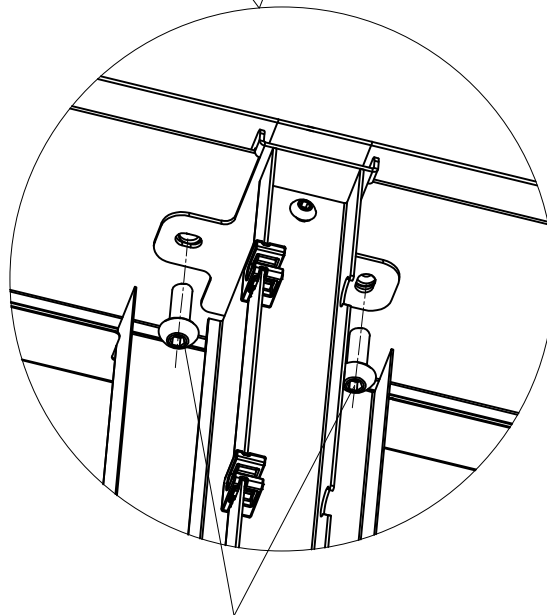
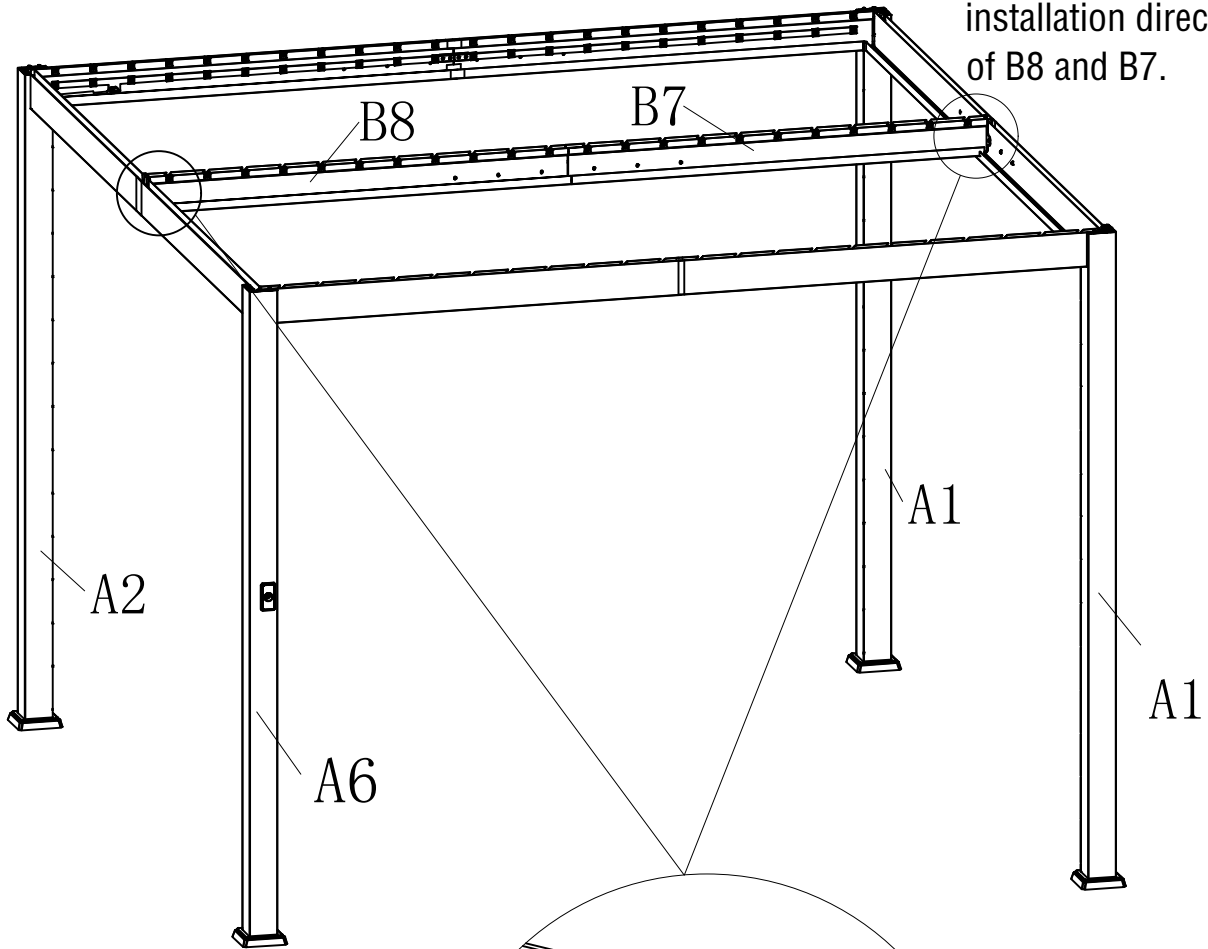


Installation steps

STEP:16

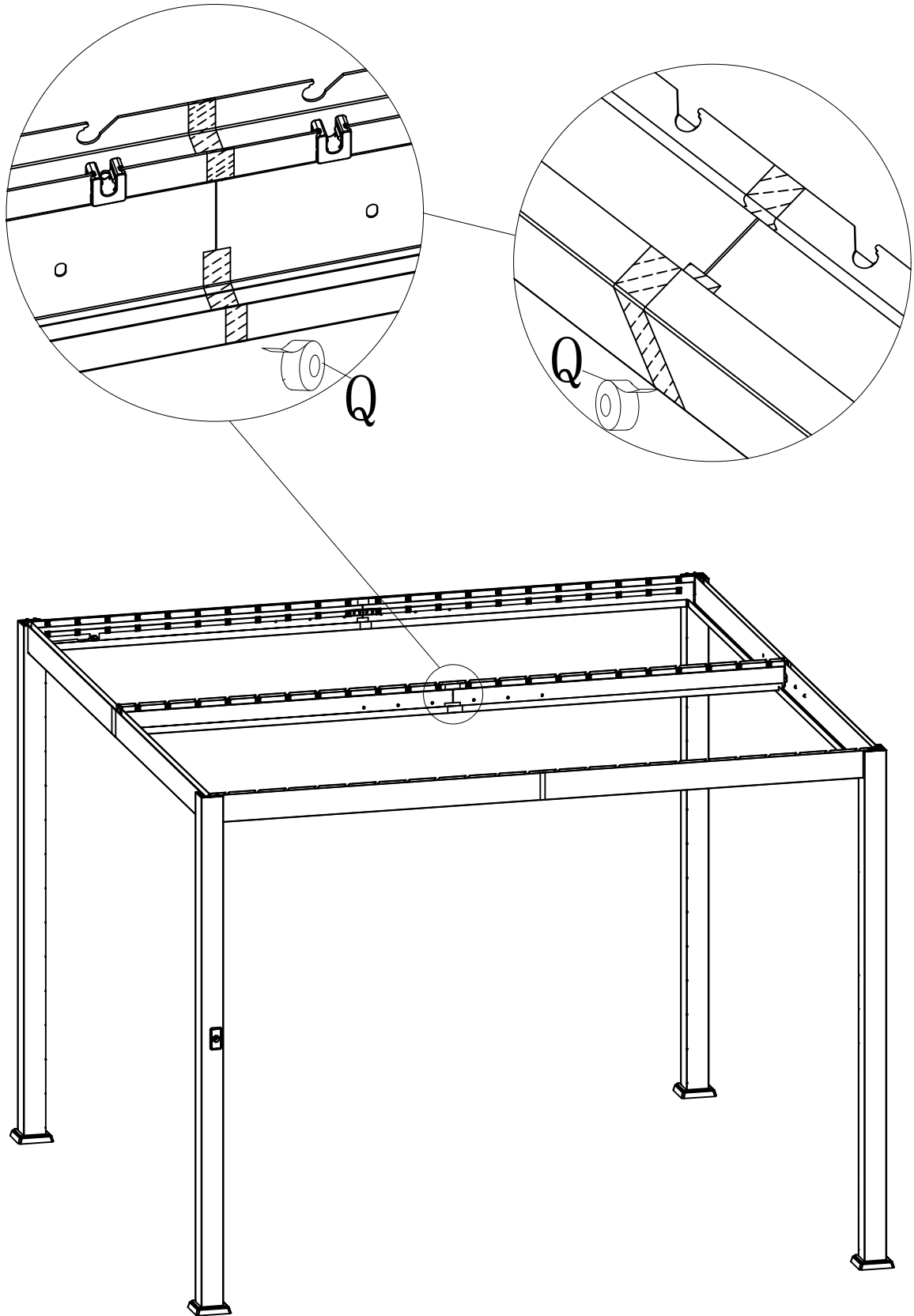


Pay attention to the installation directions of B8 and B7.



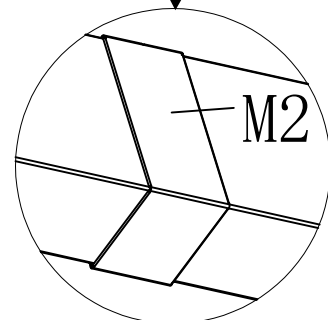
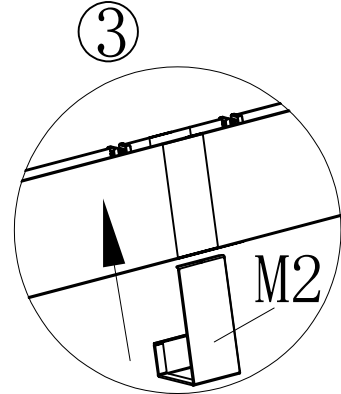
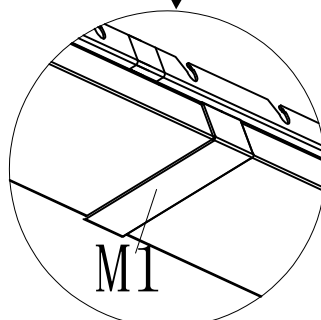
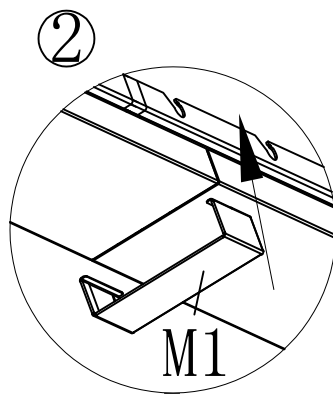
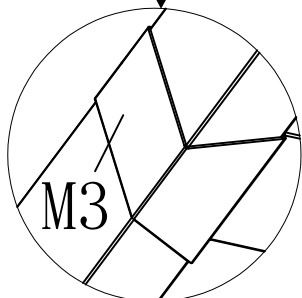
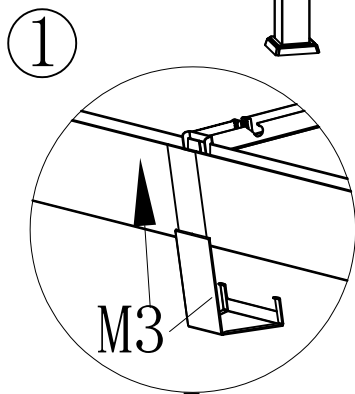
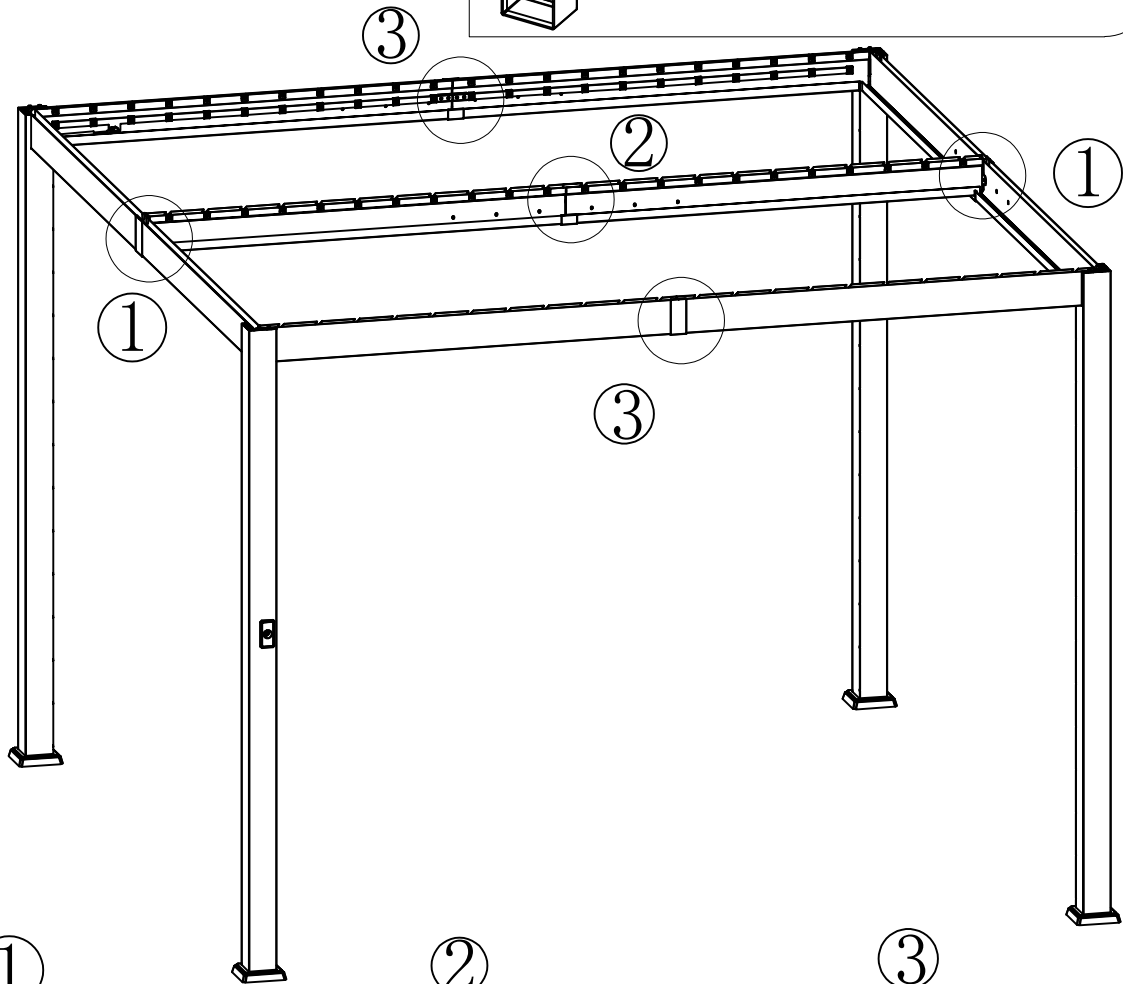
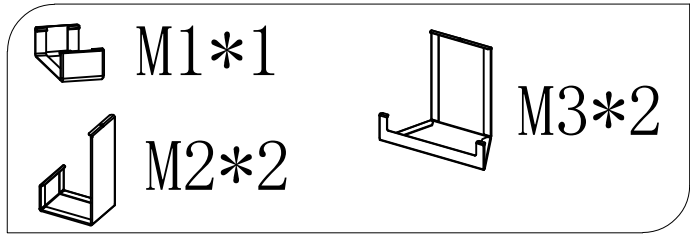
Installation steps

STEP:17



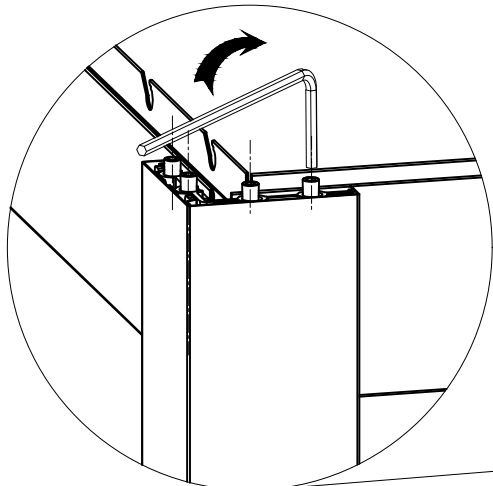
Installation steps

STEP:18

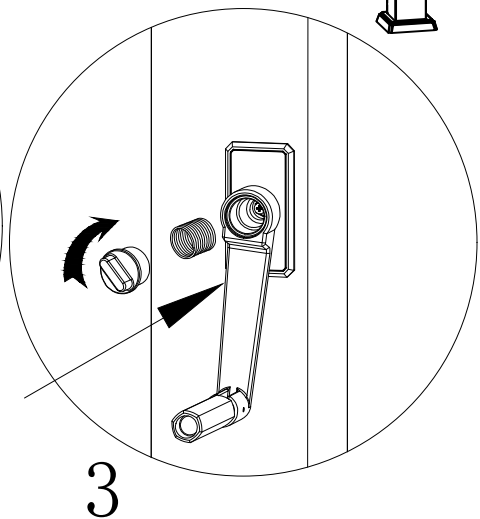
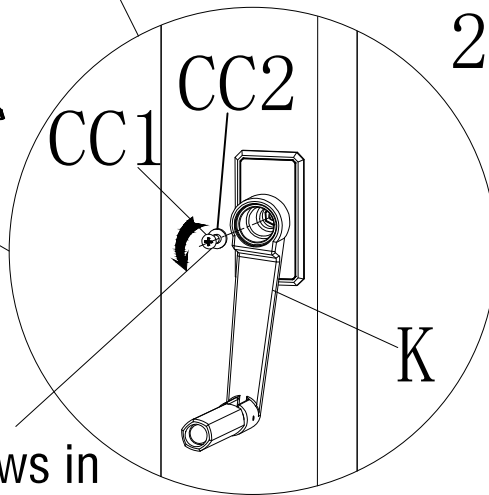
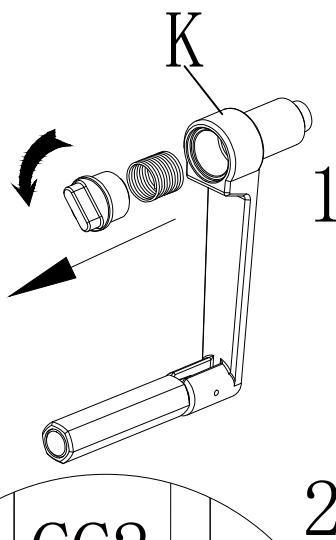
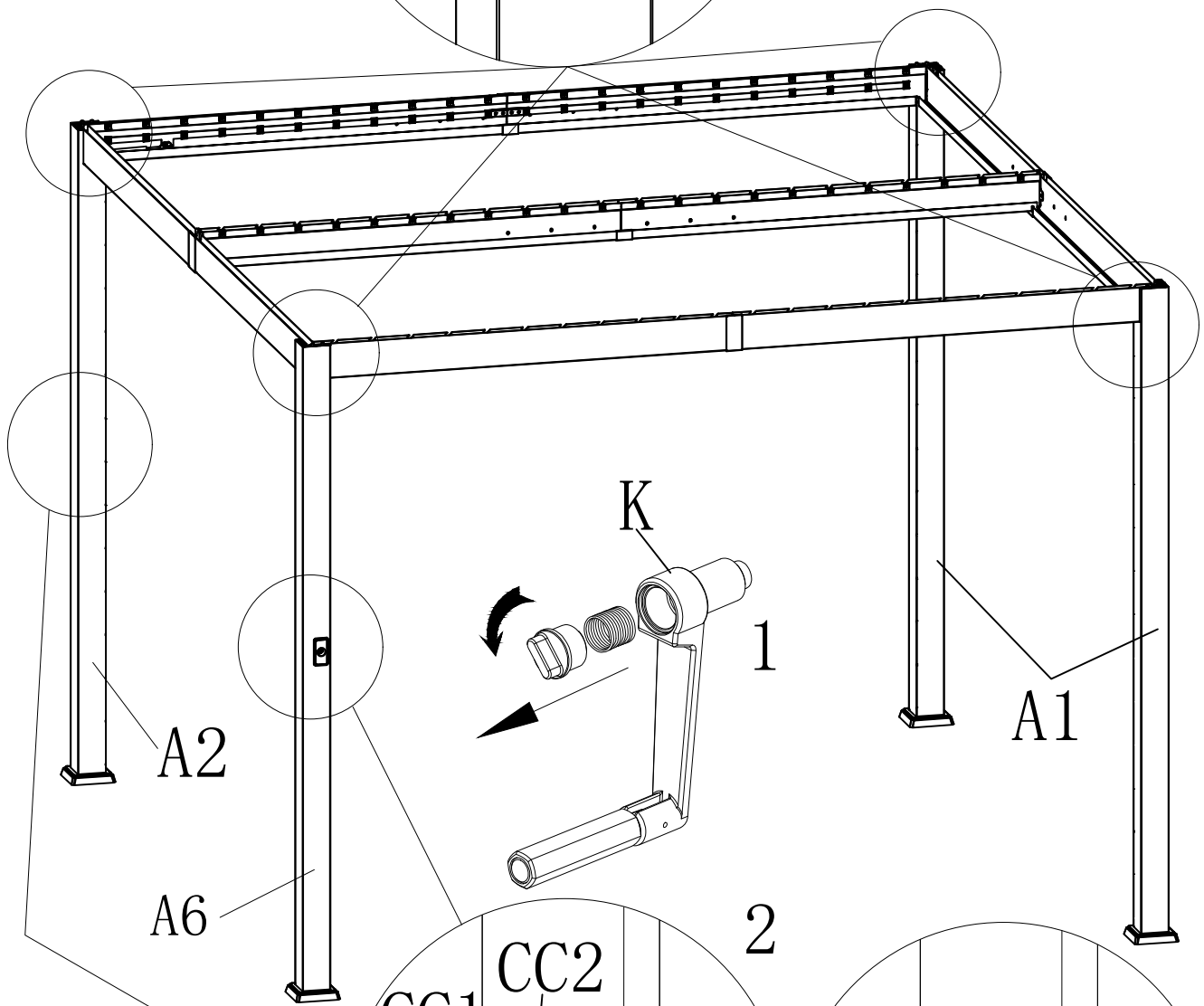


Installation steps

STEP:19



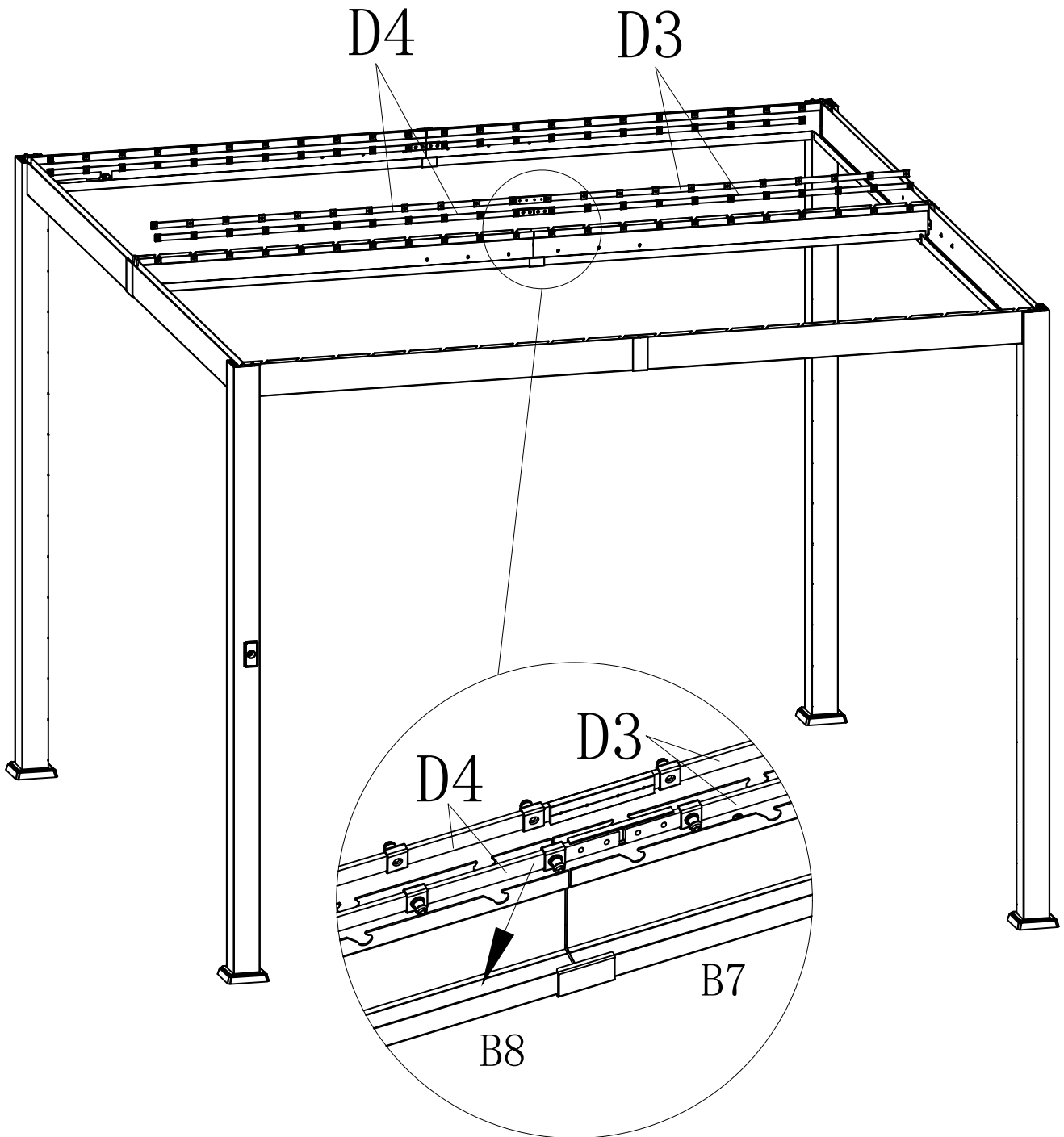
- 2*K
- 2*CC1
- 2*CC2



Tighten the screws in the reverse direction.

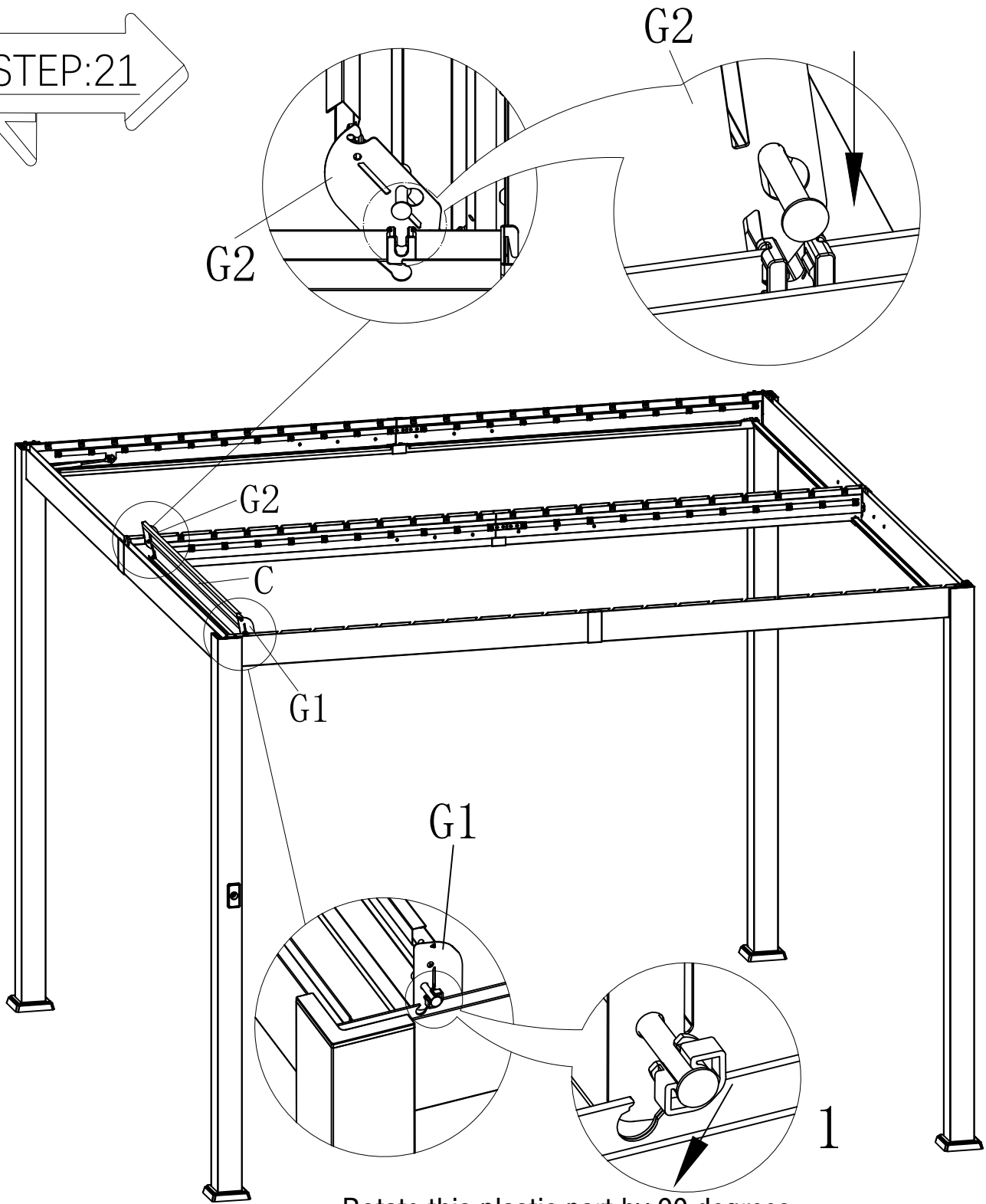
Installation steps

STEP:20

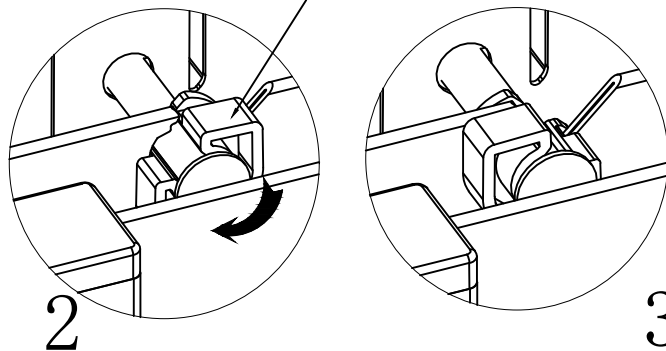


Installation steps

STEP:21



Rotate this plastic part by 90 degrees.

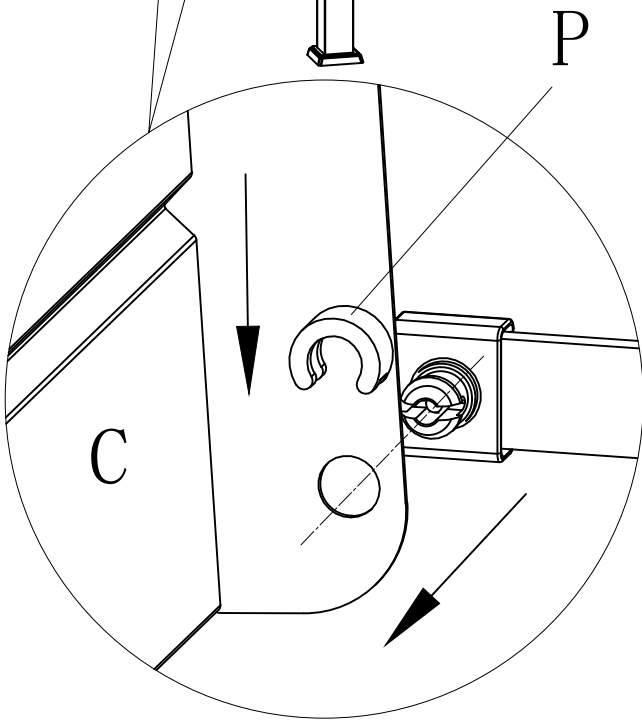
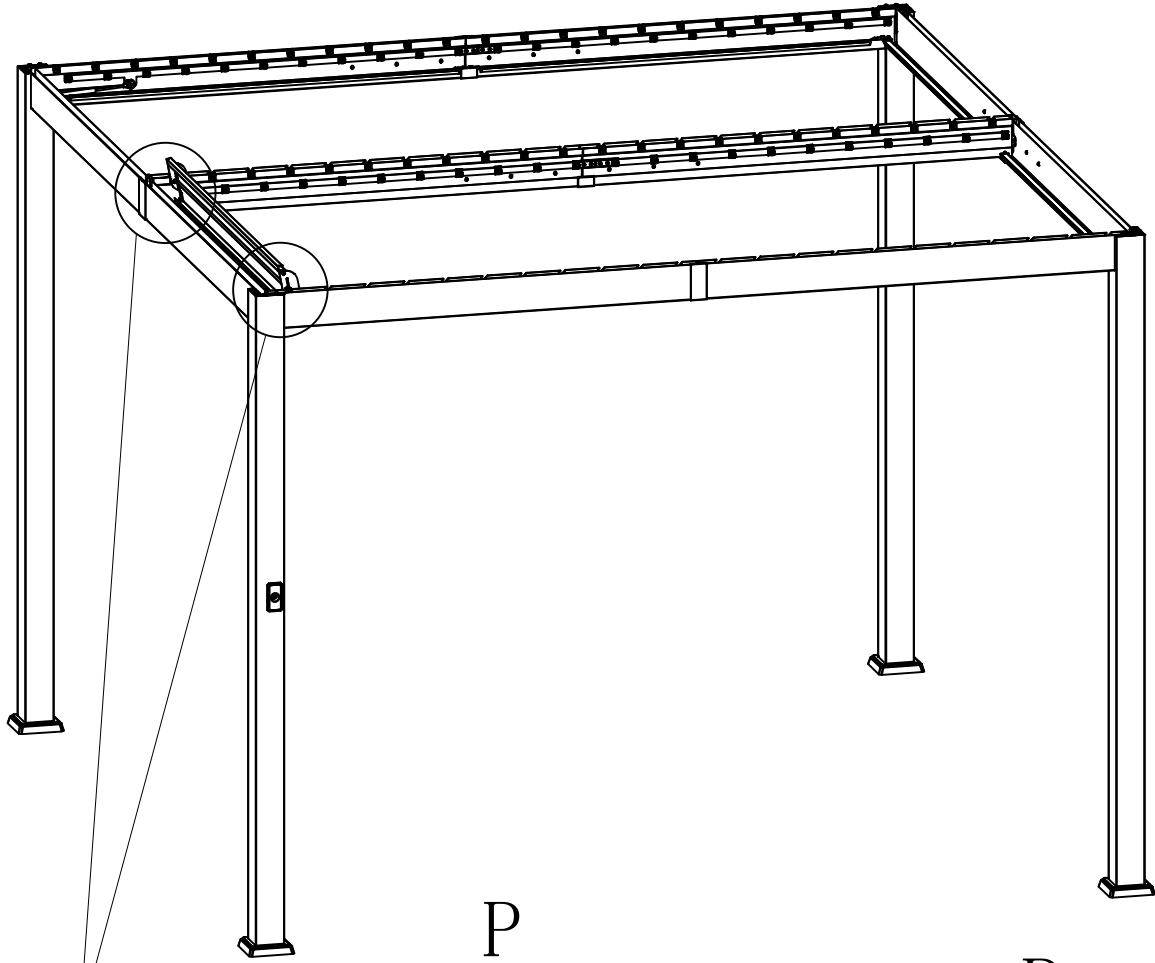


Installation steps

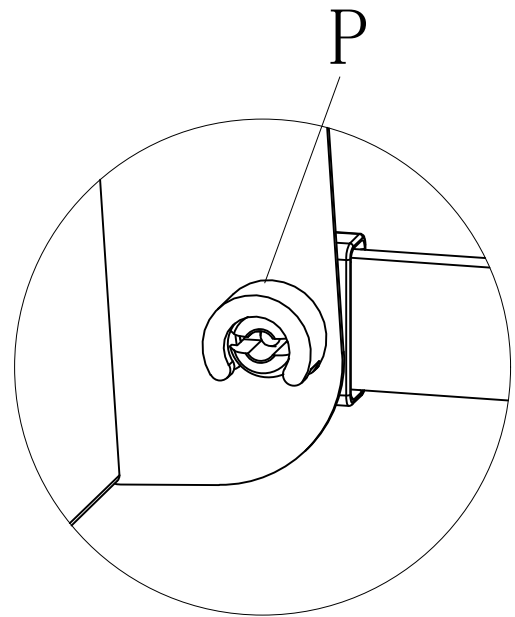
STEP:22



2*P



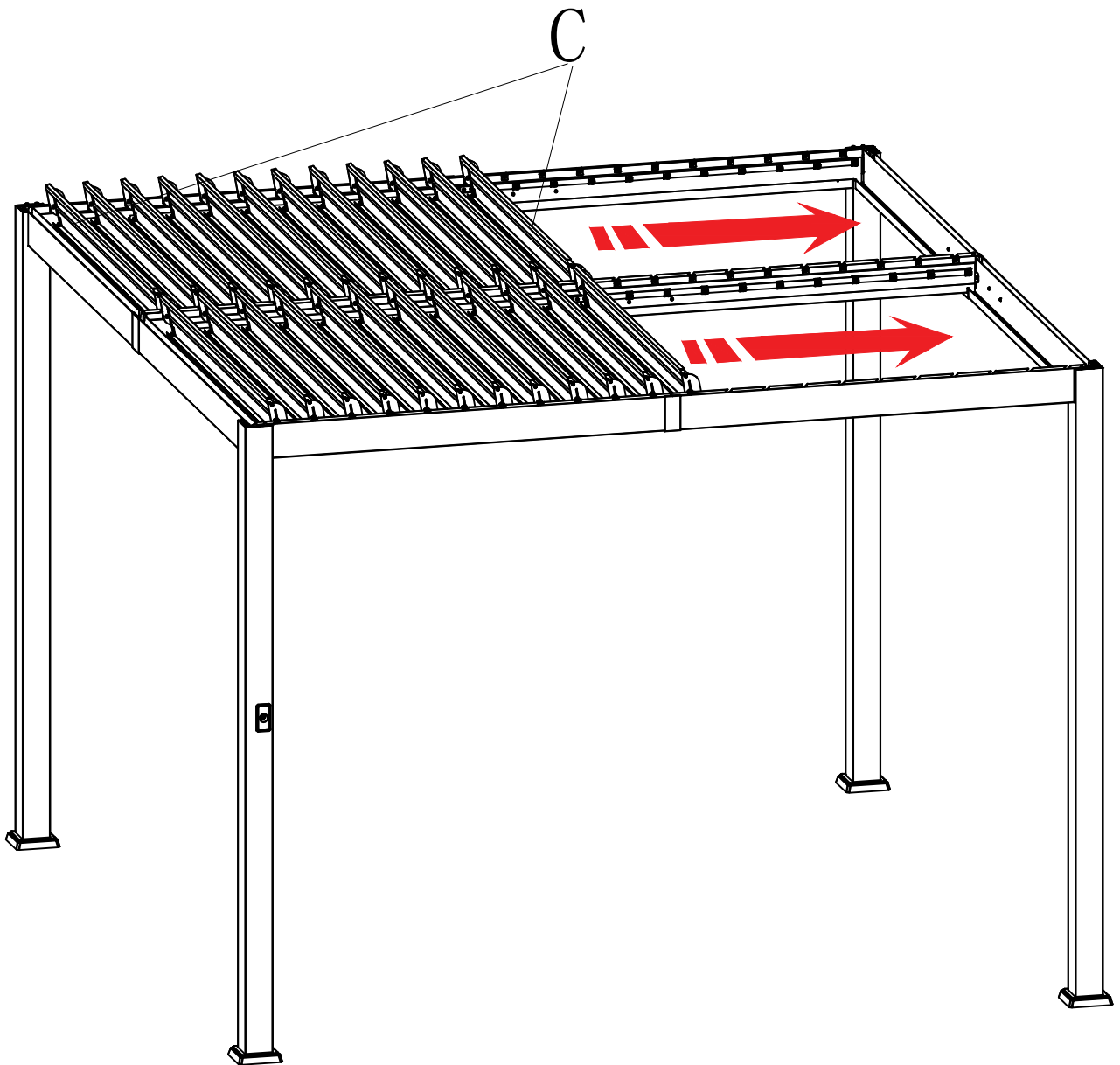
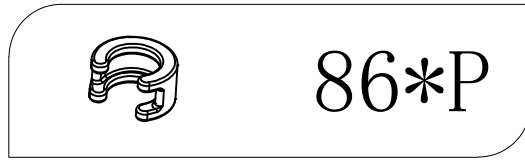
1



2

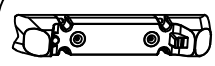
Installation steps

STEP:23



Installation steps

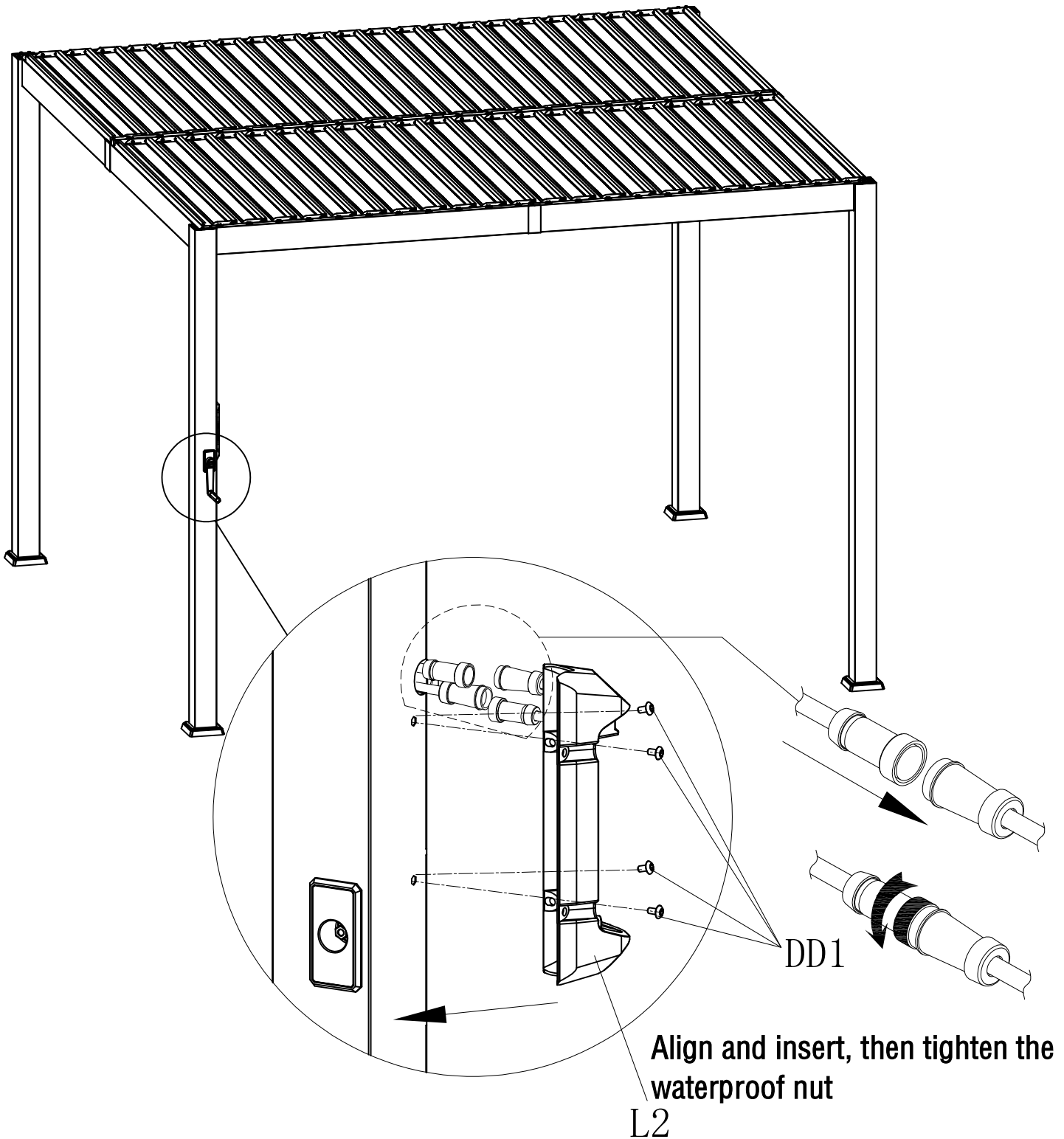
STEP:24



1*L2

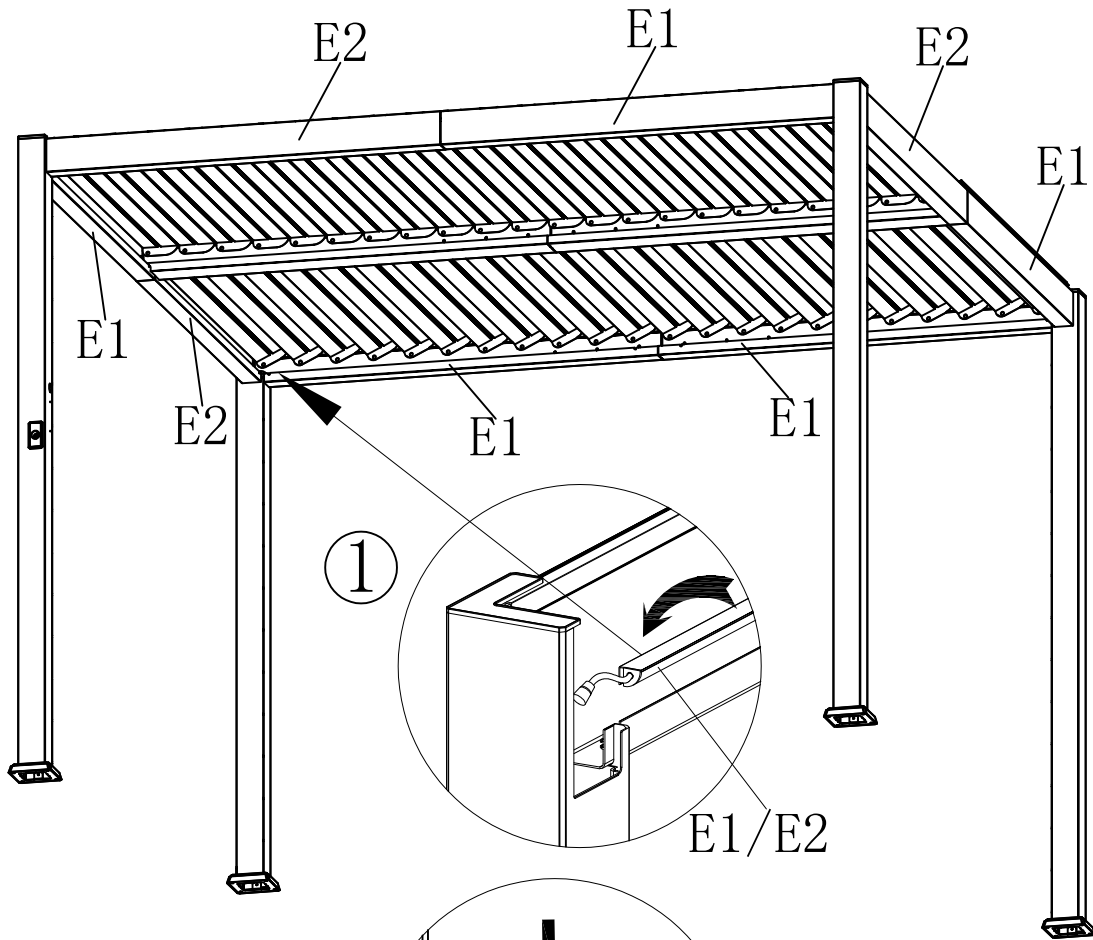
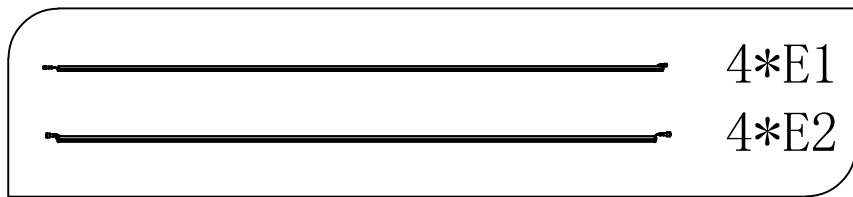


4*DD1

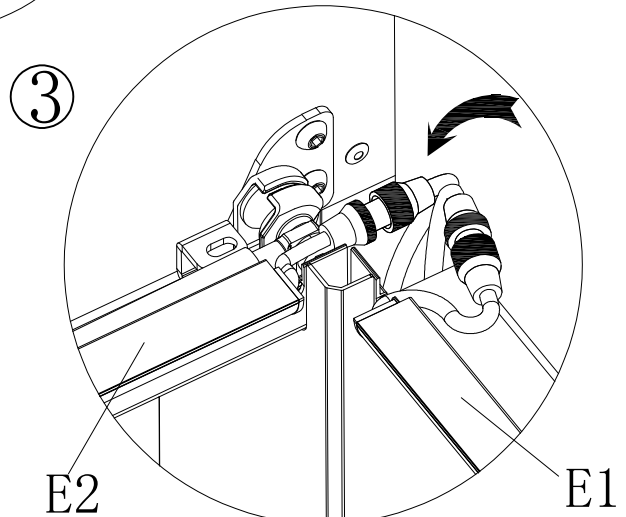
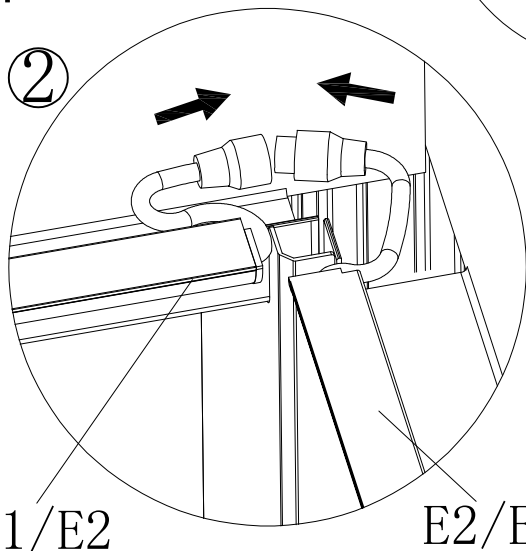
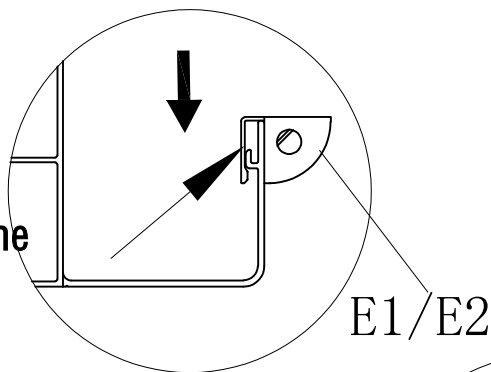


Installation steps

STEP:25

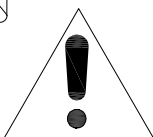


Align and insert, then tighten the waterproof nut

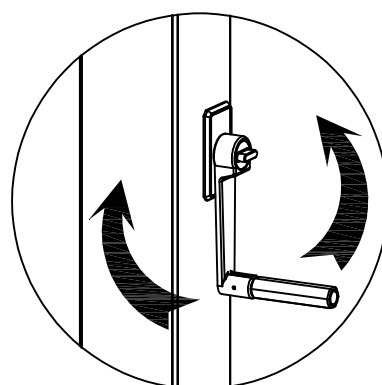
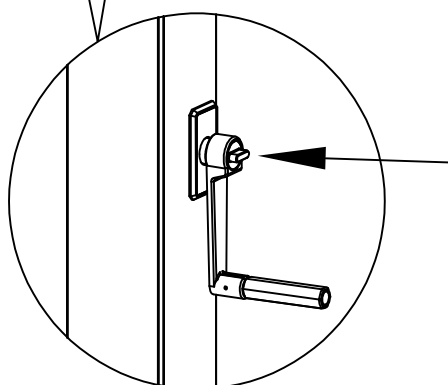
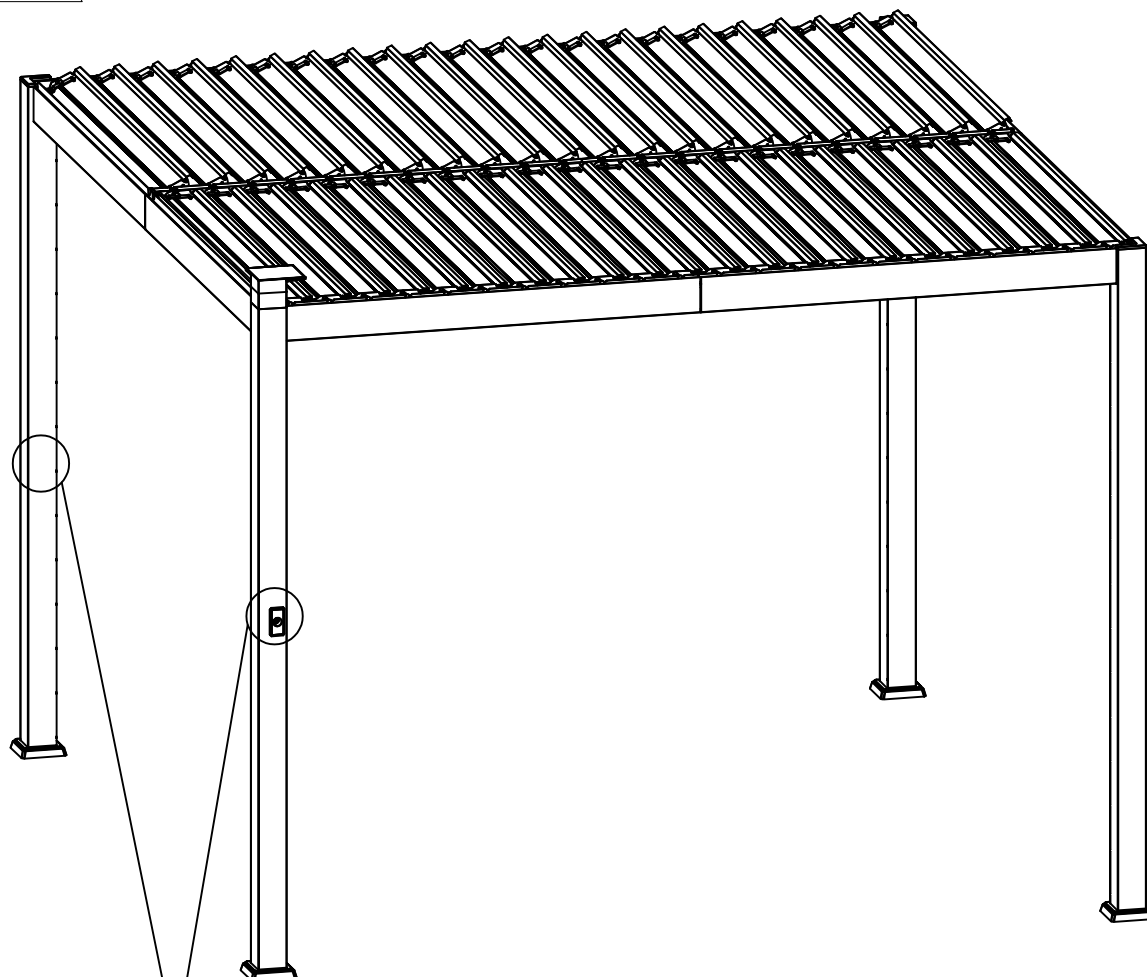


Installation steps

STEP:27



This product can withstand a snow accumulation of 20 centimeters and winds of up to level 9. In case of heavy snowfall, the top louvers should be opened to prevent excessive snow pressure.



Press the handle down until it is close to the panel. At this point, adjusting the handle's angle will not cause the top louvers to rotate.

AFTER-SALE

AFTER-SALE SERVICE

If you have any suggestions or encounter quality issues with our products, please contact us first.

Our after-sales team will respond within 24 hours, and we will do our best to provide a solution until you are satisfied.

GUARANTEED CUSTOMER SERVICE

If you feel unsatisfied or have any questions,
just contact us !

For further information,
just contact us !

 FXserviceteam@163.com