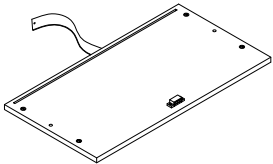
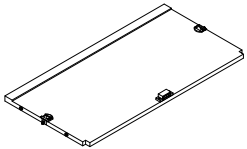
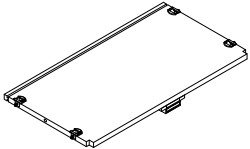
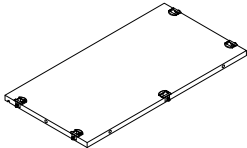
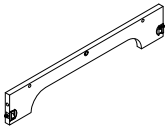
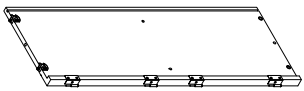
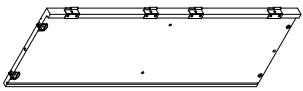


WALL CABINET

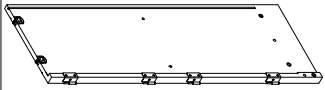
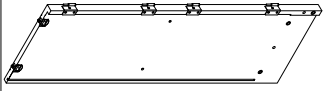


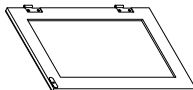
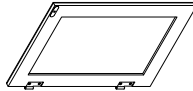
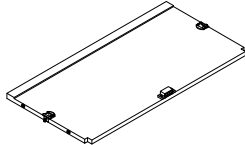
ASSEMBLY INSTRUCTIONS




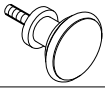


Part List:

| ITEM | DESCRIPTION | PART | QTY |
|------|------------------|---|-----|
| 1 | Top |  | 1 |
| 2 | Upper shelf |  | 1 |
| 3 | Middle panel |  | 1 |
| 4 | Bottom |  | 1 |
| 5 | Apron |  | 1 |
| 6 | Upper left side |  | 1 |
| 7 | Upper right side |  | 1 |




Part List:

| ITEM | DESCRIPTION | PART | QTY |
|------|------------------|---|-----|
| 8 | Lower left side |  | 1 |
| 9 | Lower right side |  | 1 |
| 10 | Upper back panel |  | 1 |
| 11 | Lower back panel |  | 1 |
| 12 | Left door |  | 4 |
| 13 | Right door |  | 4 |
| 14 | Lower shelf |  | 1 |

Hardware List:

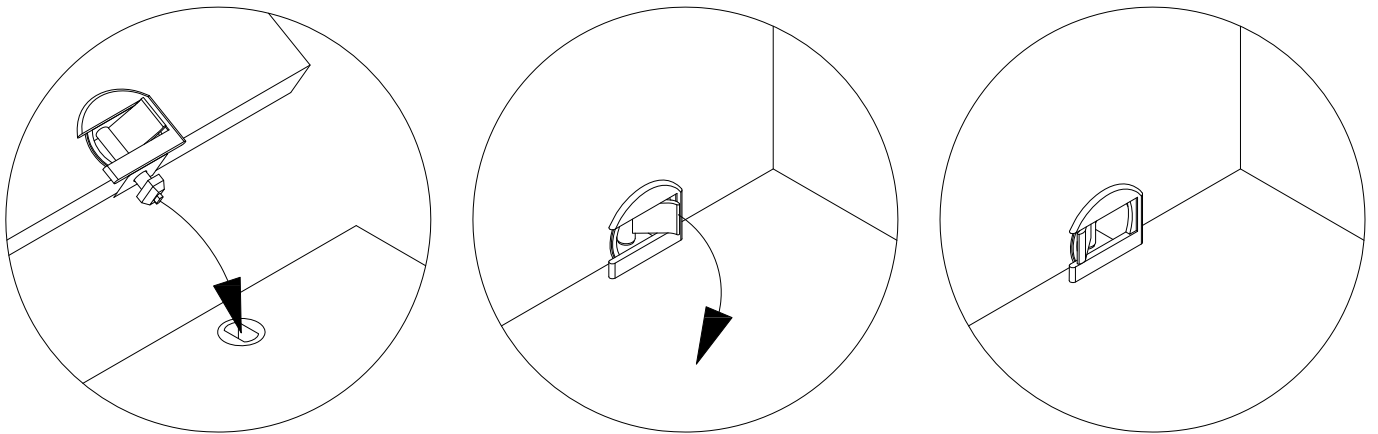
| ITEM | DESCRIPTION | PART | QTY |
|------|--------------|--|-----|
| A | Wooden dowel |  $\Phi 8 * 30 \text{mm}$ | 20 |
| B | Knob |  | 8 |
| C | Bolt |  $\Phi 1/4" * 5/8 \text{mm}$ | 2 |
| D | Wrench |  | 2 |

Hardware List:


| ITEM | DESCRIPTION | PART | QTY |
|------|----------------|--|-----|
| E | Plastic anchor |  | 1 |
| F | Mounting screw |  $\Phi 4 * 38 \text{mm}$ | 1 |
| G | Flat washer |  | 1 |

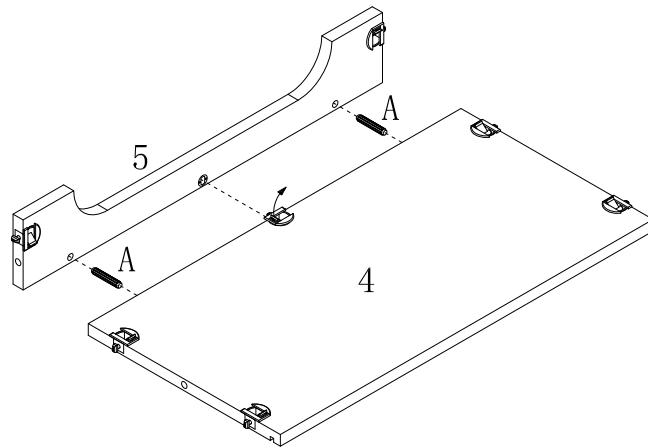
- * Required screwdriver & mallet, not included.
- * Before discarding packing materials, please check to make sure that all parts and hardware is present.
- * Two people needed for assembly.
- * Please follow the instructions closely; do not over tighten screws or bolts unless instructed.
- * After a few days from initial assembly, the product may have acclimated to the new environment. Please retighten the hardware.

Guideline For Assembling of Plastic Lock




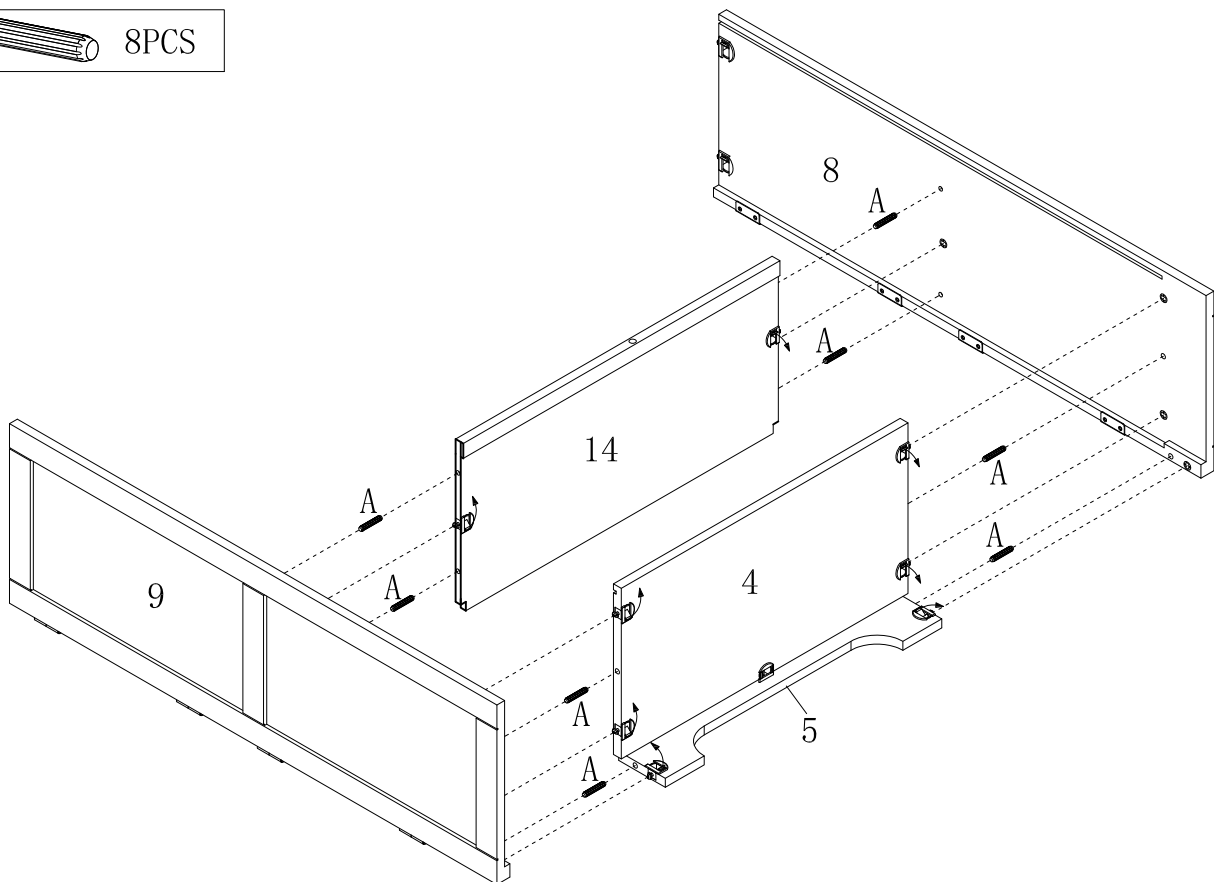
STEP 1

A:  2PCS

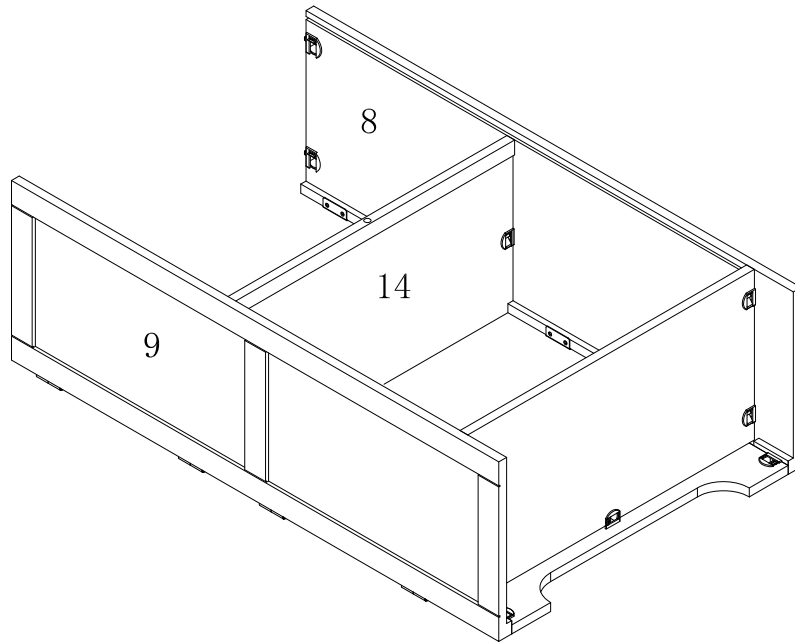


STEP 2


A:  8PCS

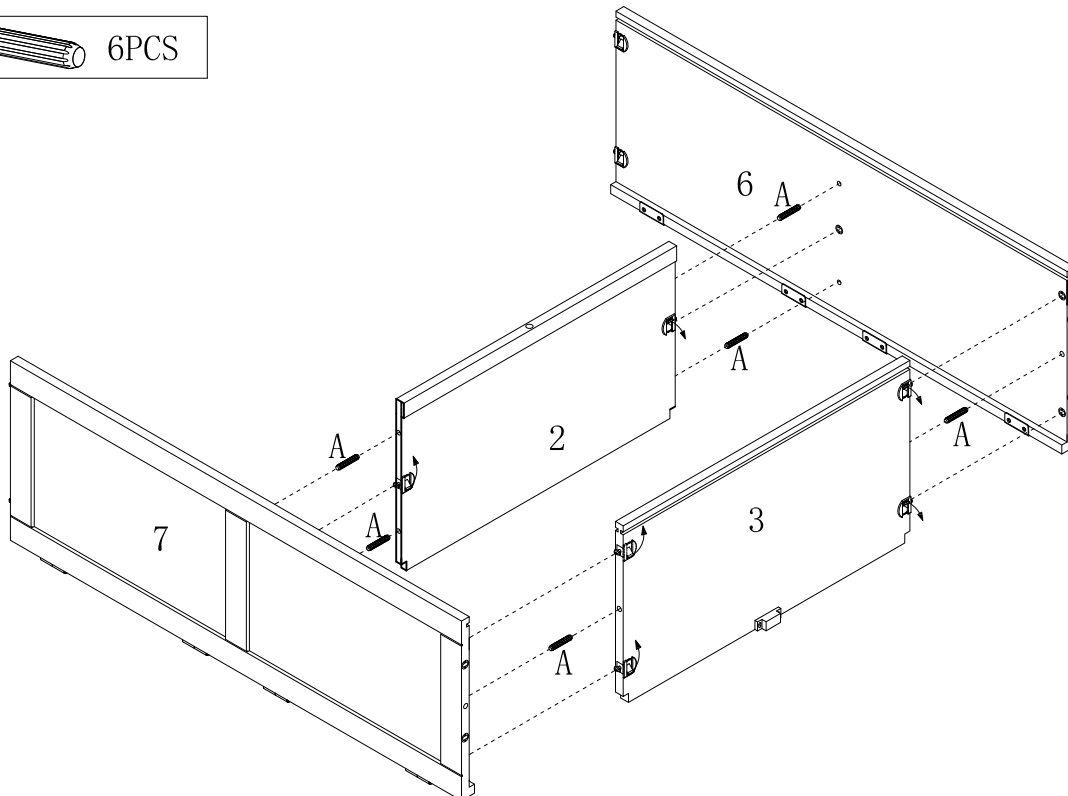


STEP 3

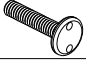



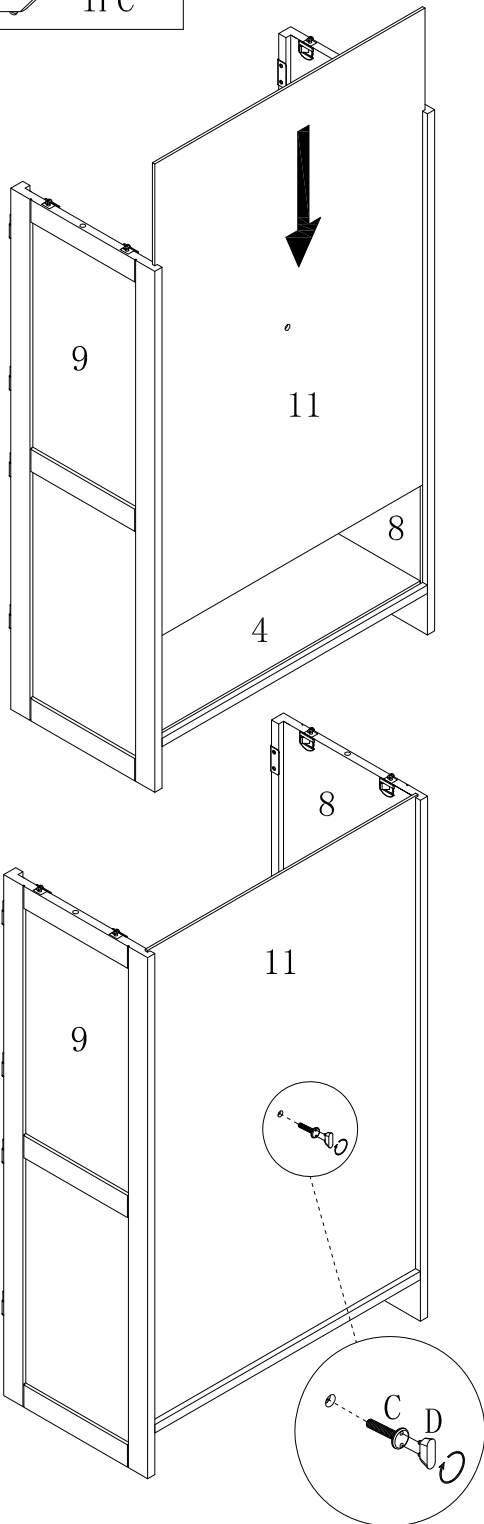
STEP 4

A:  6PCS




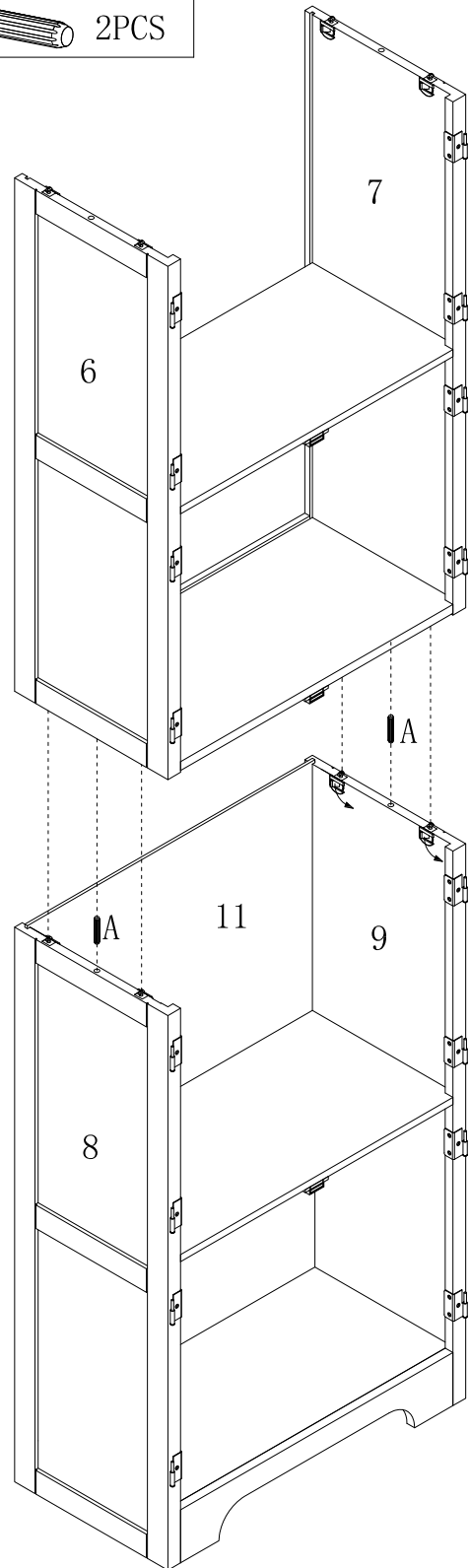
STEP 5

- | | | |
|----|---|-----|
| C: |  | 1PC |
| D: |  | 1PC |

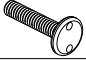



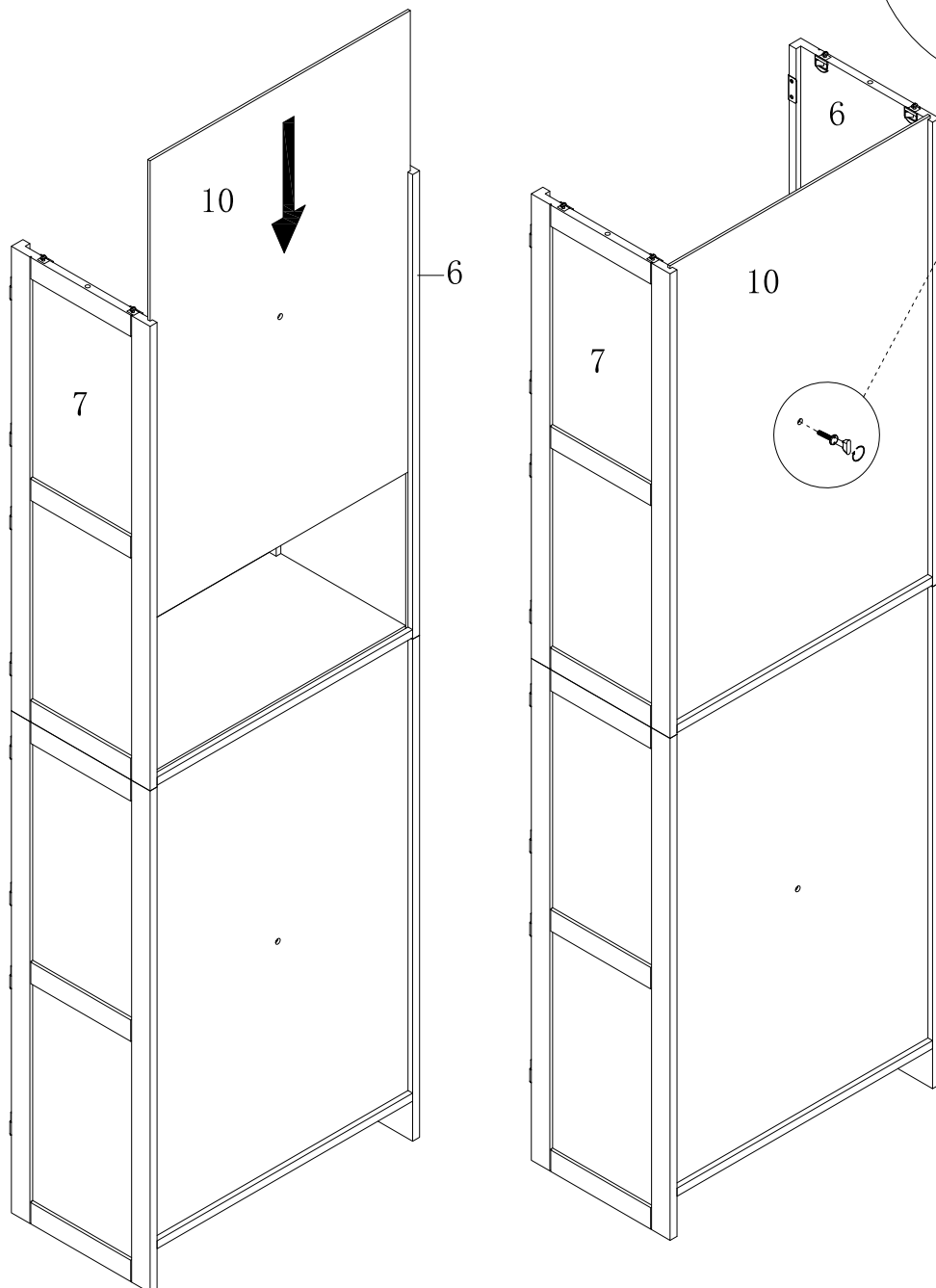
STEP 6

- | | | |
|----|---|------|
| A: |  | 2PCS |
|----|---|------|

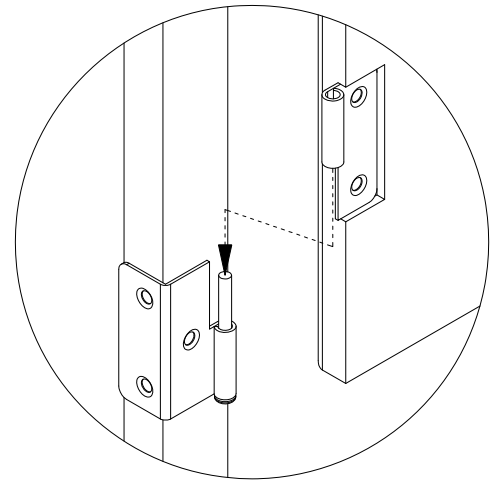
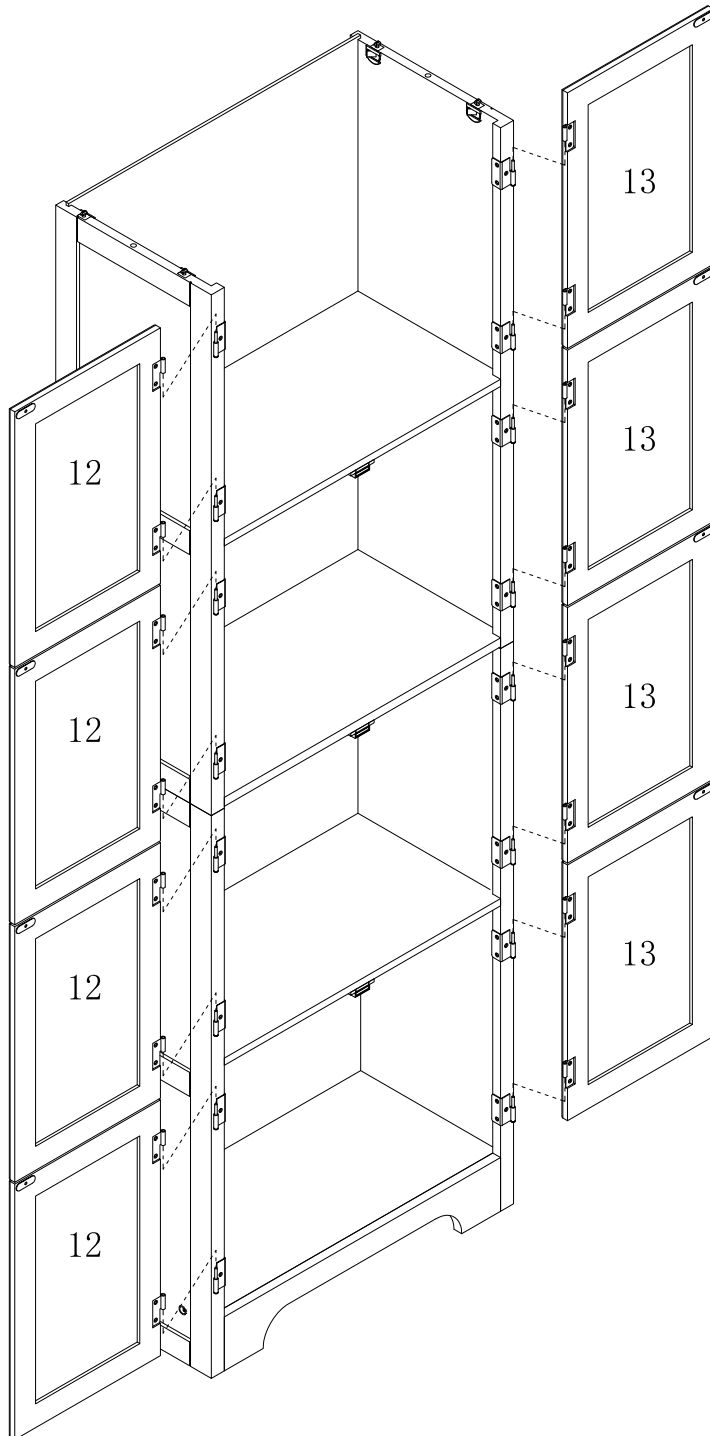


STEP 7


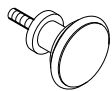
| | | |
|----|---|-----|
| C: |  | 1PC |
| D: |  | 1PC |

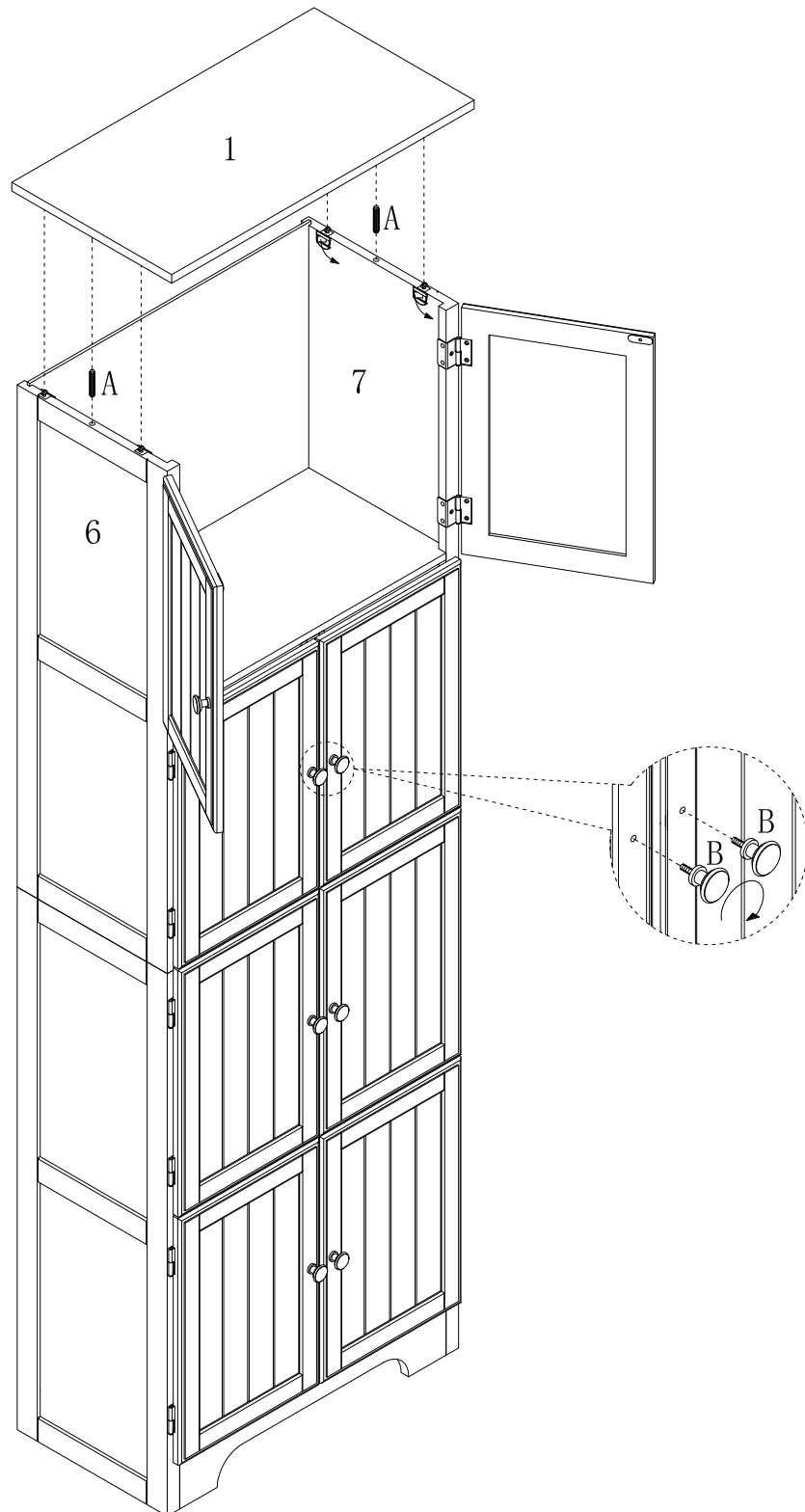


STEP 8






STEP 9

- | | | |
|----|---|------|
| A: |  | 2PCS |
| B: |  | 8PCS |



STEP 10

| | | |
|----|---|-----|
| E: |  | 1PC |
| F: |  | 1PC |
| G: |  | 1PC |

