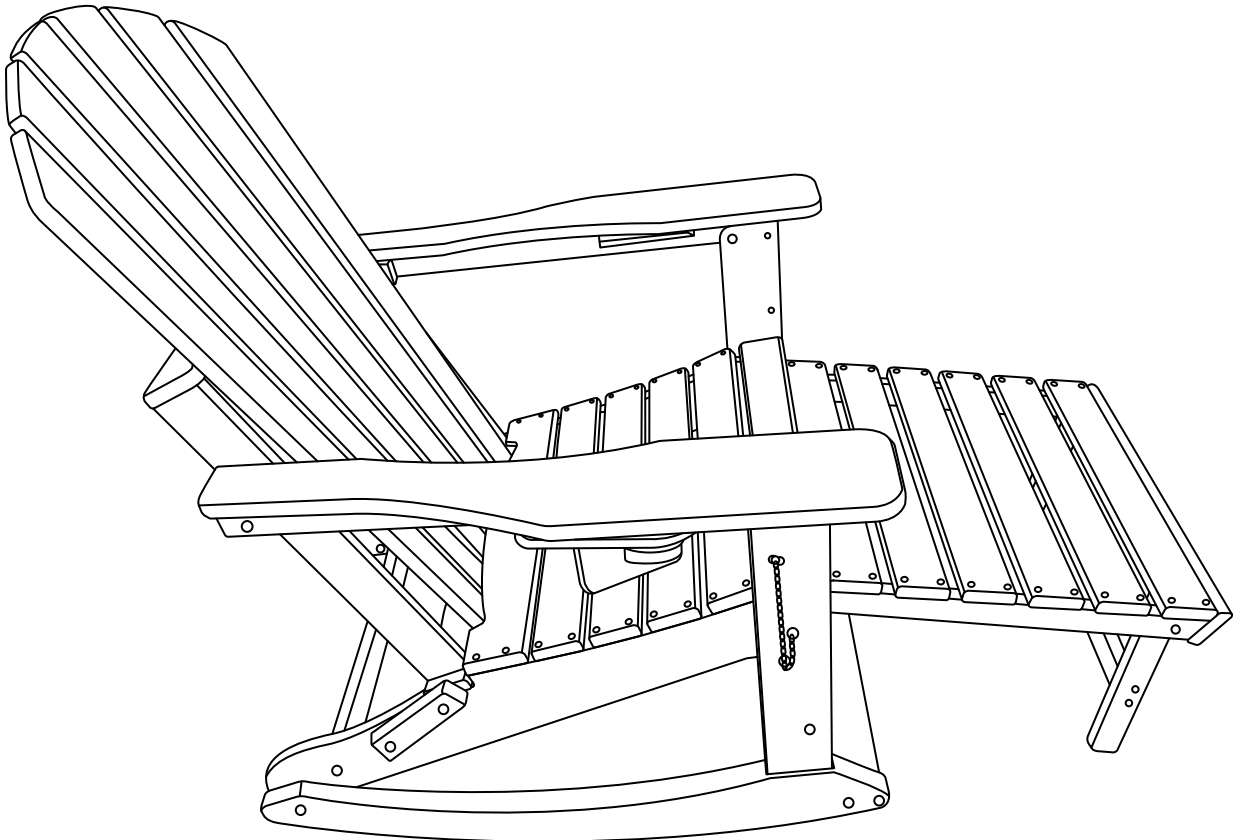


IMPORTANT

RETAIN FOR FUTURE REFERENCE

READ CAREFULLY

Assembly Instructions

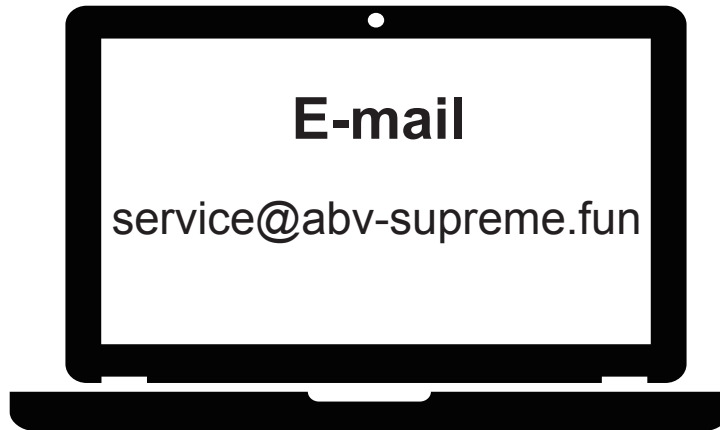


Note:

1. Do not use electric screwdriver.
2. Two people are required to assemble this item. Assemble the item on a flat, solid and even surface.
3. Make sure that all the necessary parts are in the carton before starting the assembly.
4. Please secure all parts and bolts loosely, only when the frame is complete should you fully tighten the screws.
5. If any instability occurs, loosen the screws, re-align the components as necessary and re-tighten the screws evenly.
6. This item is not a climbing frame or toy.
7. Danger of suffocation. Keep out of reach of children.
8. This chair is foldable. Please be careful when folding it to avoid getting pinched.

Contact Us!

Contact our friendly customer service department for help first.
Replacements for missing or damaged parts will be shipped ASAP!



Contact Us!

Dear Customer, Thanks for buying from us.

If you have questions or quality problems during the installation and use, please kindly contact us through Amazon message(or email to us: service@abv-supreme.fun). We will reply you within 24 hours and solve your problem as soon as we can.

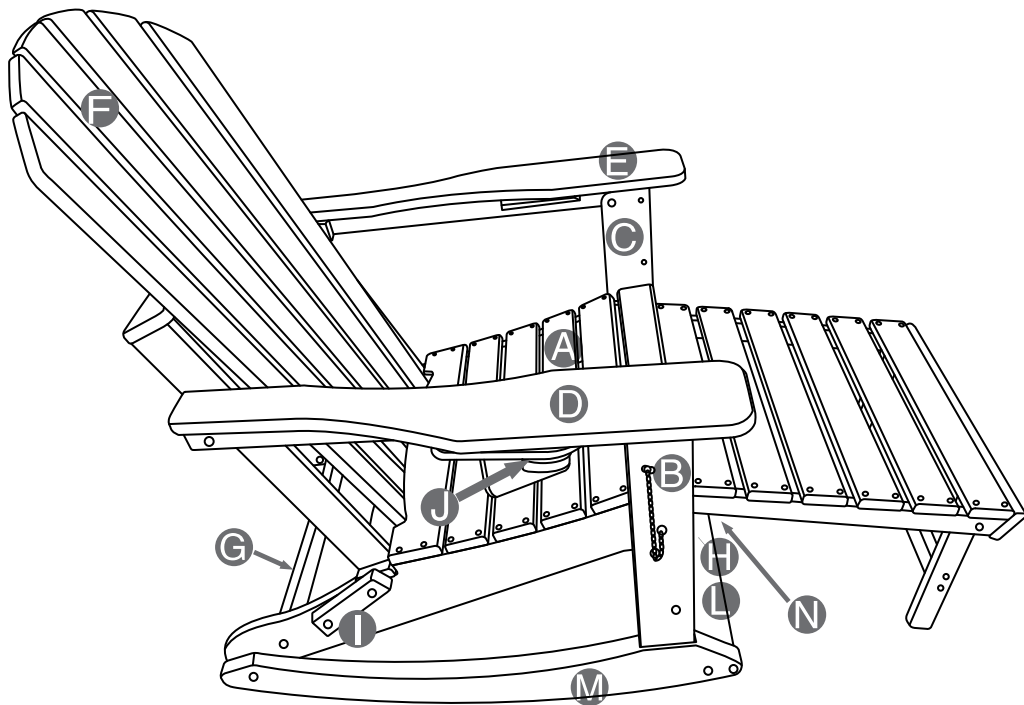
Returns Policy!

We offer a returns policy equivalent to Amazon.com's.

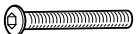


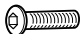
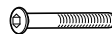
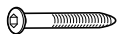
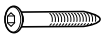


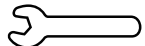
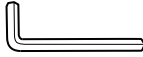
Ensure you enclose the correct and complete item when making a return. The correct item must be returned to receive a refund. It can take up to 15 days for an item to reach us once you return it. Once the item is received at our fulfillment center, it takes 2 business days for the refund to be processed and 3-5 business days for the refund amount to show up in your account.

Warranty!


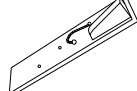
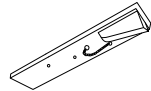



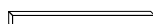
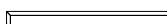





The product is guaranteed to be free from defects in workmanship and parts for a period of 12months from the date of purchase. Defects that occur within this warranty period, under normal use and care, will be repaired, replaced or refunded at our discretion.



Hardware List

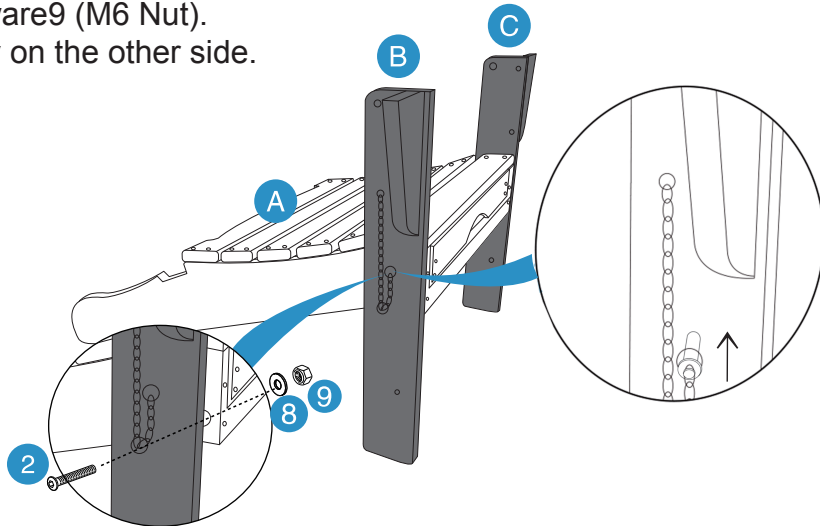
- | | | | | | |
|--|---|---|--|--|--|
| <p>1</p> <p>M6 x 80mm BOLT</p>  <p>2PCS</p> | <p>2</p> <p>M6 x 60mm BOLT</p>  <p>6PCS</p> | <p>3</p> <p>M6 x 50mm BOLT</p>  <p>2PCS</p> | <p>4</p> <p>M6 x 30mm BOLT</p>  <p>1PC</p> | <p>5</p> <p>M6 x 60mm Screw</p>  <p>4PCS</p> | <p>6</p> <p>M6 x 50mm Screw</p>  <p>4PCS</p> |
| <p>7</p> <p>M6 x 40mm Screw</p>  <p>2PCS</p> | <p>8</p> <p>M6 WASHER</p>  <p>10PCS</p> | <p>9</p> <p>M6 NUT</p>  <p>10PCS</p> | <p>10</p> <p>WRENCH</p>  <p>1PC</p> | <p>11</p> <p>ALLEN KEY</p>  <p>1PC</p> | |

Parts List

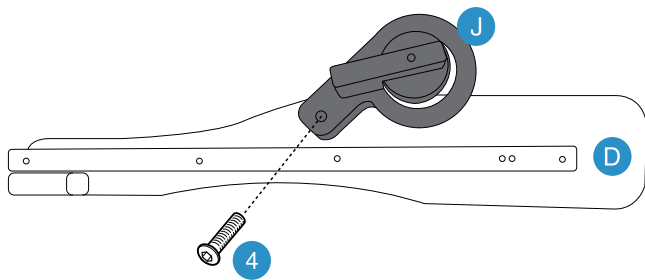
- | | | | | |
|--|--|---|--|--|
| <p>A</p> <p>SEAT PANEL</p>  <p>1PC</p> | <p>B</p> <p>RIGHT LEG</p>  <p>1PC</p> | <p>C</p> <p>LEFT LEG</p>  <p>1PC</p> | <p>D</p> <p>RIGHT ARMREST</p>  <p>1PC</p> | <p>E</p> <p>LEFT ARMREST</p>  <p>1PC</p> |
| <p>F</p> <p>BACK PANEL</p>  <p>1PC</p> | <p>G</p> <p>BACK CROSS-PIECE</p>  <p>1PC</p> | <p>H</p> <p>FRONT CROSS-PIECE</p>  <p>1PC</p> | <p>I</p> <p>LOCKING BLOCK</p>  <p>2PCS</p> | <p>J</p> <p>CUP HOLDER</p>  <p>1PC</p> |
| <p>L</p> <p>FOOT GEAR</p>  <p>1PC</p> | <p>M</p> <p>RIGHT ARC FOOT</p>  <p>1PC</p> | <p>N</p> <p>LEFT ARC FOOT</p>  <p>1PC</p> | | |

Assembly

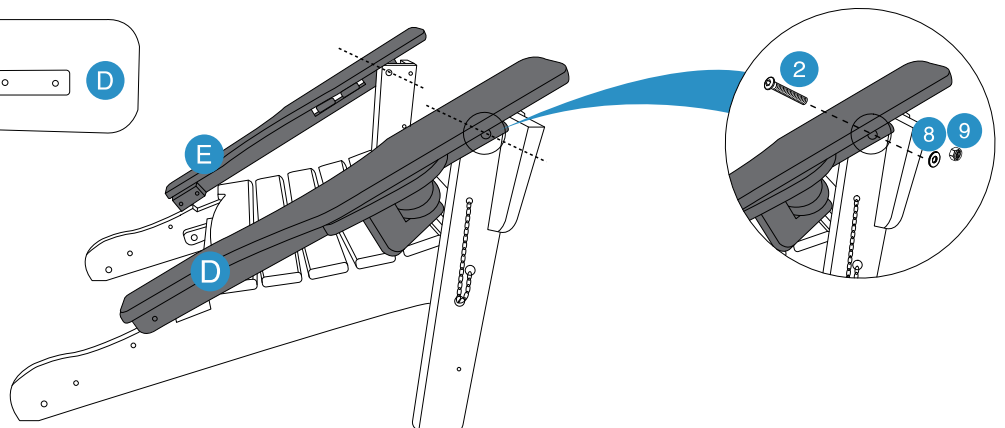
Step 1: Insert the latch of part B(right leg) into part A(seat panel). Repeat part C(left leg) operation on the other side. Secure part B(right leg) to part A(seat panel) using Hardware2 (M6×60mm Bolt), Hardware8 (Washer) and Hardware9 (M6 Nut). Repeat part C(left leg) assembly on the other side.



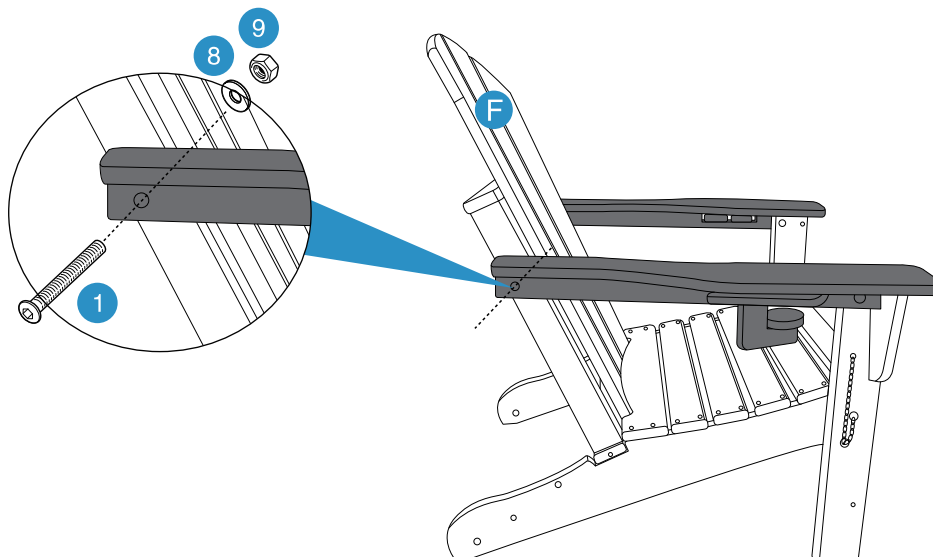
Step 2: Secure part J(cup holder) to D(right armrest) using Hardware4 (M6×30mm Bolt).



Step 3: Secure part D(right armrest) to the right leg, and attach part E(left armrest) to the left leg, using Hardware2 (M6×60mm Bolt), Hardware8 (Washer) and Hardware9 (M6 Nut).



Step 4: Attach part F(back panel) to the armrests using Hardware1 (M6×80mm Bolt), Hardware8 (Washer) and Hardware9 (M6 Nut).

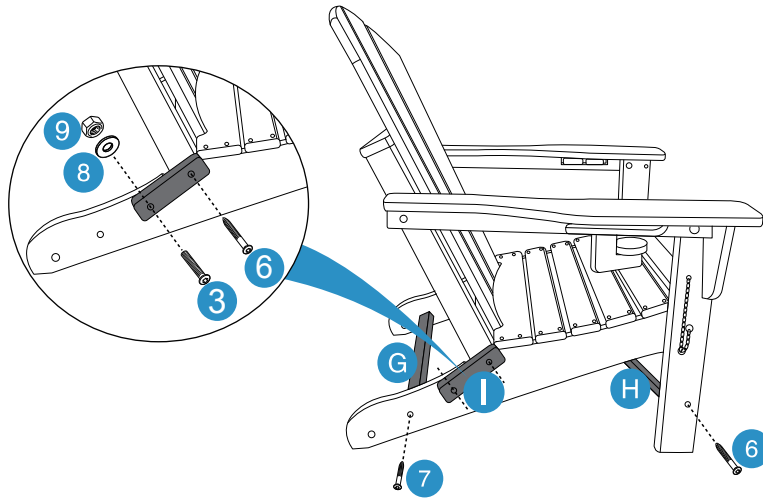


Step 5: Insert part H(front cross-piece) to the legs using Hardware6 (M6×50mm Screw).-----You have to try pretty hard in this step.

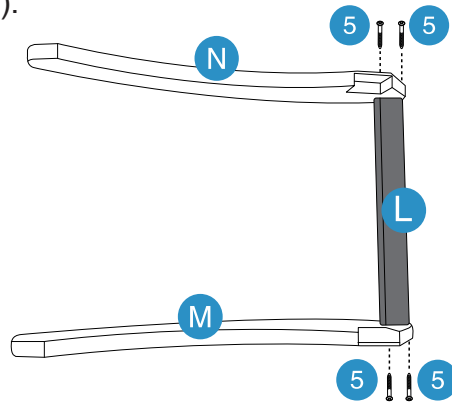
Secure the lower hole of part I(locking block) to the seat panel using Hardware3 (M6×50mm Bolt), Hardware8 (Washer) and Hardware9 (M6 Nut).

Secure the upper hole of part I(locking block) to the back panel using Hardware6 (M6×50mm Screw).

Connet part G (back cross-piece) to the seat panel using Hardware7 (M6×40mm Screw).



Step 6: Connet part L (foot gear) to part M (right arc foot) and part N (left arc foot) using Hardware5 (M6×60mm Screw).



Step 7: Put your Adirondack Chair into the arc feet. Secure the rear end of chair and the arc feet using Hardware2 (M6×60mm Bolt), Hardware8 (Washer) and Hardware9 (M6 Nut).

After this step, please fully tighten all bolts if you check all the parts are positioned. Assembly is complete.

