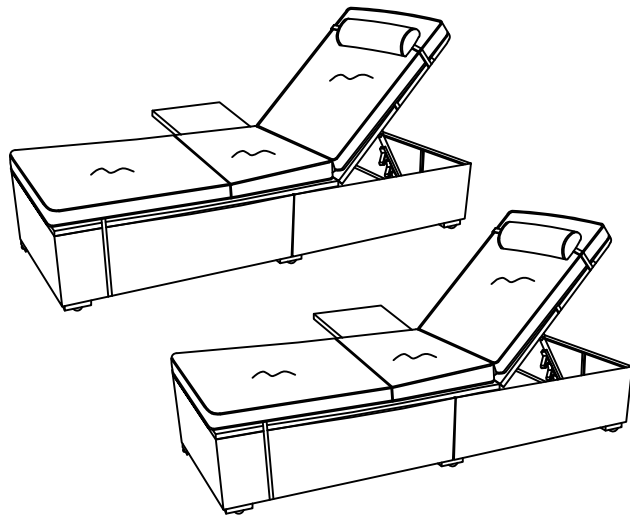


ARMLESS RATTAN RECLINING LOUNGE CHAIR
ASSEMBLY INSTRUCTIONS



ATTENTION

THANKS FOR CHOOSING OUR PRODUCTS!

- 1.This ARMLESS RATTAN RECLINING LOUNGE CHAIR comes in 1 box,please check the part list carefully to make sure you've received all the parts.
- 2.If there are any missing parts ,please contact us with the part # and quantity,we will send them to you ASAP.
- 3.If there're any damaged parts,please contact us with clear pictures or video,we will offer you the best solution after confirming it.

WARRANTY

So glad you have completed the assembly and can enjoy it.

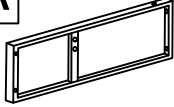
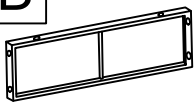
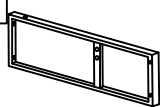
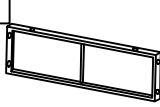
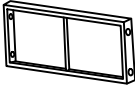
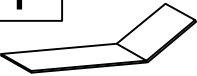
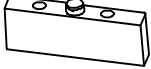

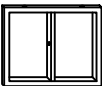

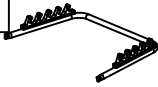
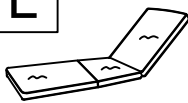








If you are satisfied with our products,thank you for showing your favored ARMLESS RATTAN RECLINING LOUNGE CHAIR to your around.

Customer Service:






Any problem with the product or shipping issue,please feel free to contact,we will try our best to serve and help.

Assembly Instructions

Parts List (BOX A)

A 	B 	C 	D 
1 PC	1 PC	1 PC	1 PC
E 	F 	G 	H 
2 PCS	1 PC	6 PCS	1 PC
I 	J 	K 	L 
1 PC	1 PC	1 PC	1 PC
M 	a 	b  M6x25mm	c  M6x15mm
1 PC	34 PCS	13 PCS	4 PCS
d  M6x35mm	e  M6x55mm	f  M6x20mm	g 
16 PCS	4 PCS	2 PCS	7 PCS

Assembly Instructions

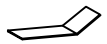







h  M6	i 	k  2mm	l  Spanner
2 PCS	2 PCS	2 PCS	1 PC
m  Allen Key			
1 PC			

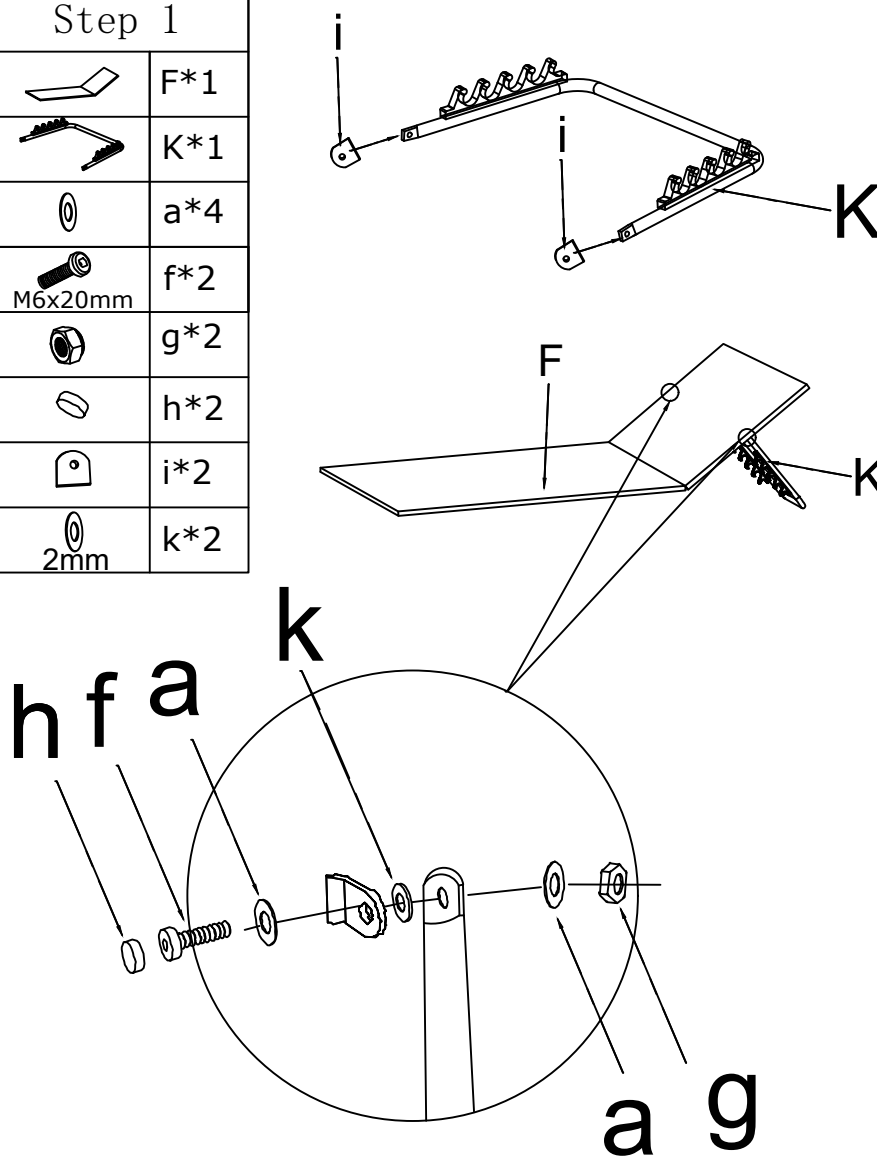
Note: The components listed above are for assembling ONE Chaise Lounge. The box contains TWO identical sets of components. Please inspect them carefully, and if any parts are missing, pls contact us.

NOTE

- 1.If one or some screws are fully tightened during assembly,the other screws may not be aligned with screw holes. 50% tighten before fastening all screws. Allen wrench is recommended instead of an electric drill.
- 2.If some screws are not aligned with holes during assembly,please loosen all the other screws to 50% and continue the assembly proces.
- 3.If the items is not stable, please loosen all the screws, adjust it on a flat ground and tighten all the screws.
- 4.Please don't put the furniture outside without any sunshades in rainy, snowy days. Waterproof cover is recommended for keeping it last several years.
- 5.The set is manually woven by hands. The PE rattan weave of each set is different. Each model is unique.

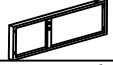

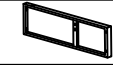





ARMLESS RATTAN RECLINING LOUNGE CHAIR

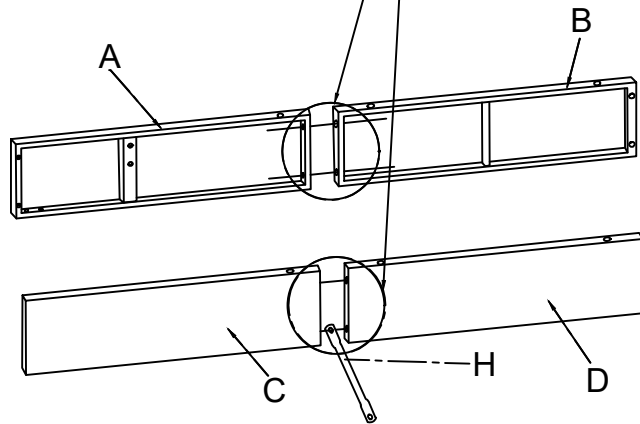
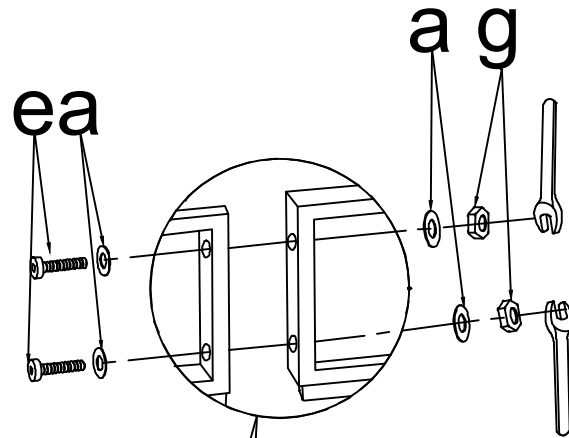
Step 1	
	F*1
	K*1
	a*4
 M6x20mm	f*2
	g*2
	h*2
	i*2
 2mm	k*2



ARMLESS RATTAN RECLINING LOUNGE CHAIR

Step 2



	A*1
	B*1
	C*1
	D*1
	H*1
	a*8
	e*4
M6x55mm	
	g*4

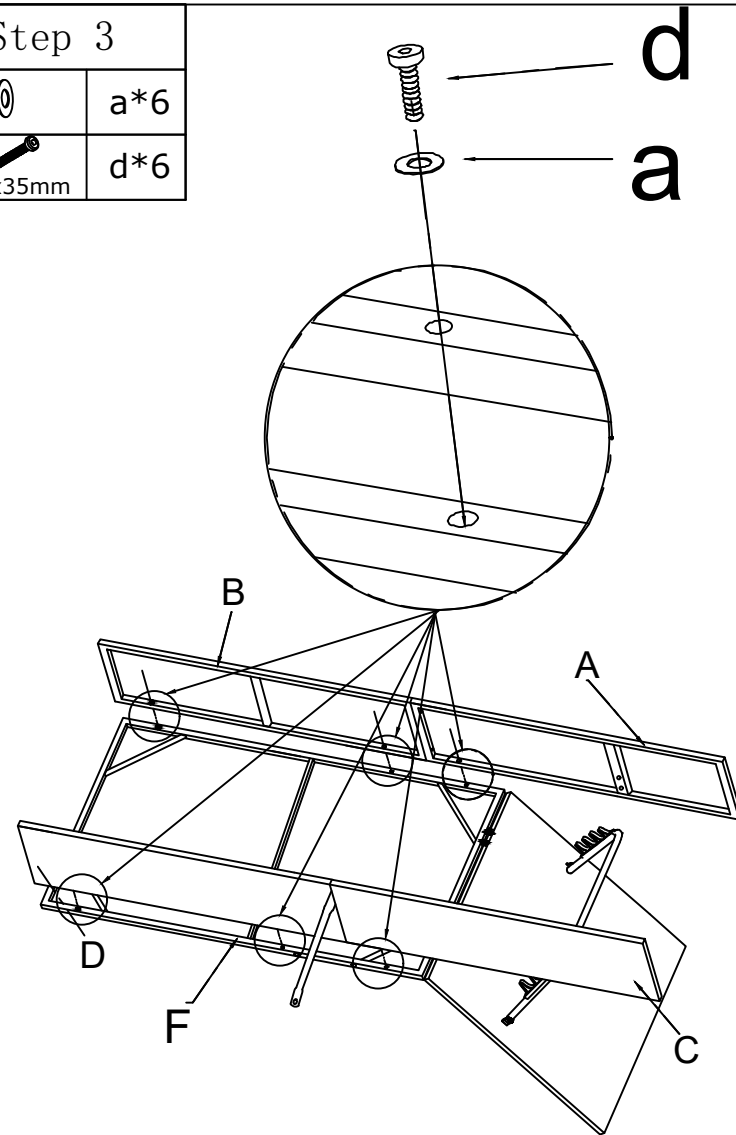


6

ARMLESS RATTAN RECLINING LOUNGE CHAIR

Step 3




	a*6
	d*6



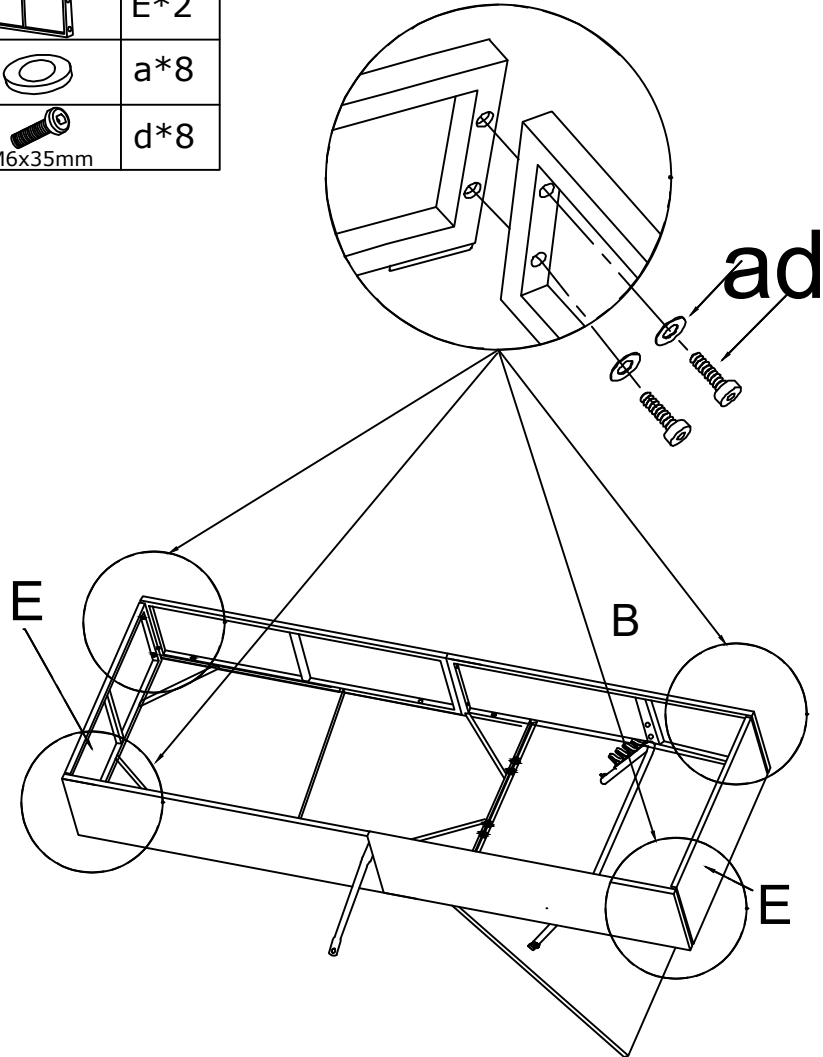
7

ARMLESS RATTAN RECLINING LOUNGE CHAIR

Step 4

	E*2
	a*8
	d*8




M6x35mm



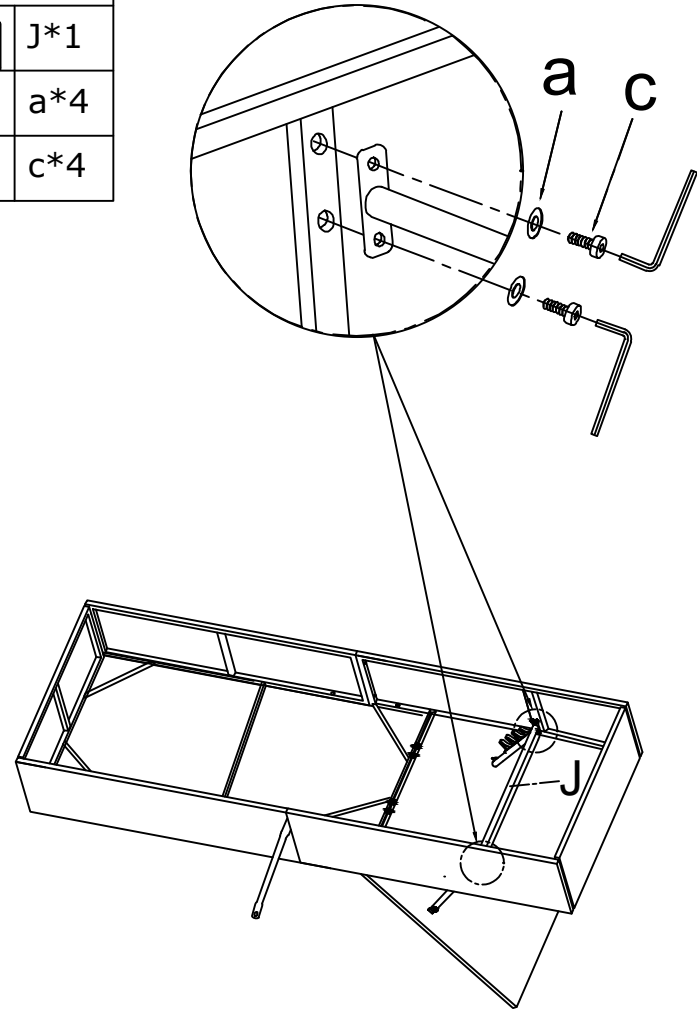
8

ARMLESS RATTAN RECLING LOUNGE CHAIR

Step 5

	J*1
	a*4
	c*4

M6x15mm



9

ARMLESS RATTAN RECLINING LOUNGE CHAIR

Step 6



I*1

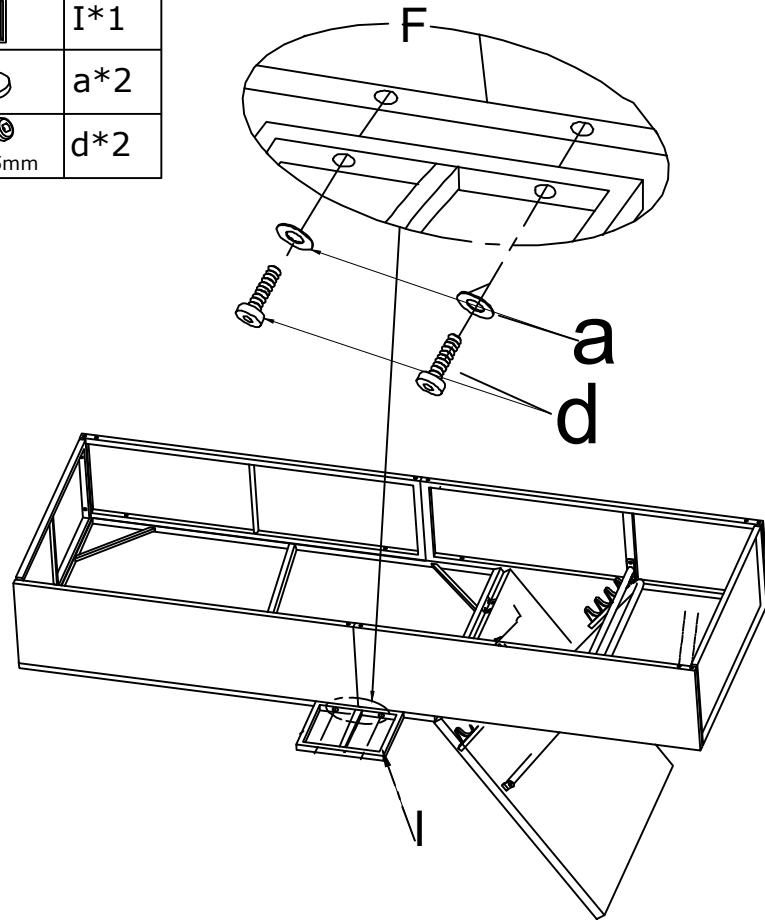


a*2



M6x35mm

d*2



10

ARMLESS RATTAN RECLING LOUNGE CHAIR

Step 7



H*1



a*2

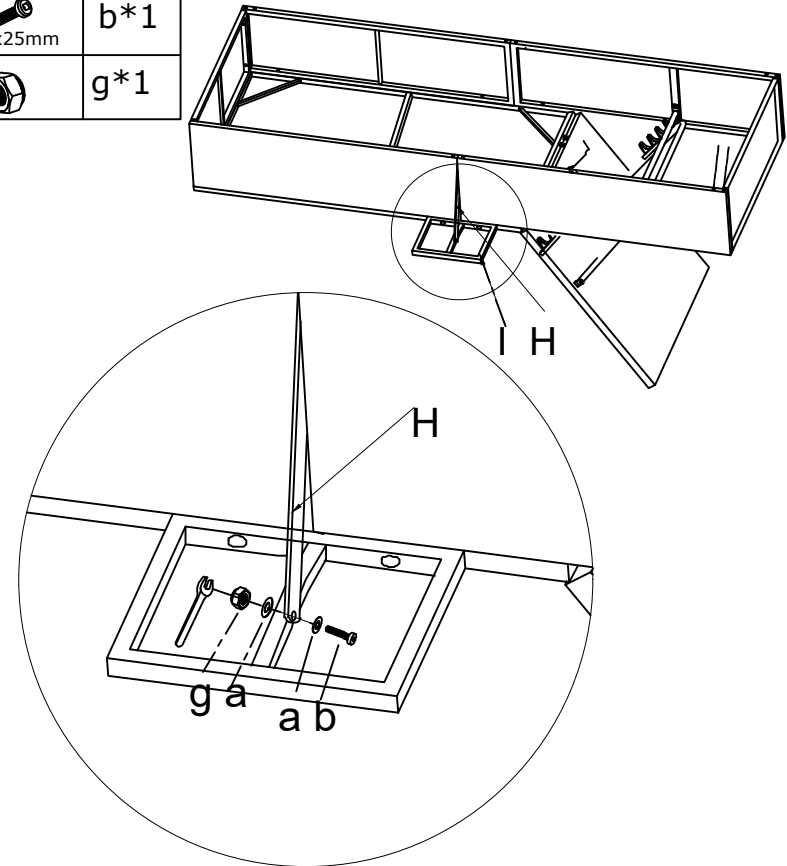


M6x25mm

b*1



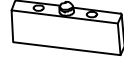

g*1

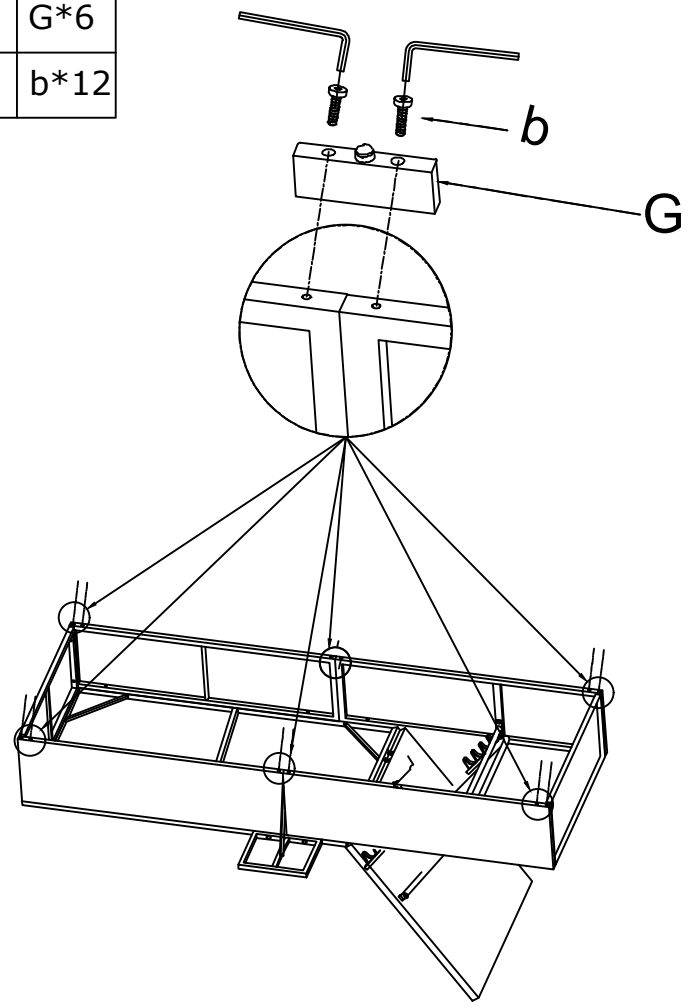


11

ARMLESS RATTAN RECLINING LOUNGE CHAIR

Step 8



	G*6
	b*12

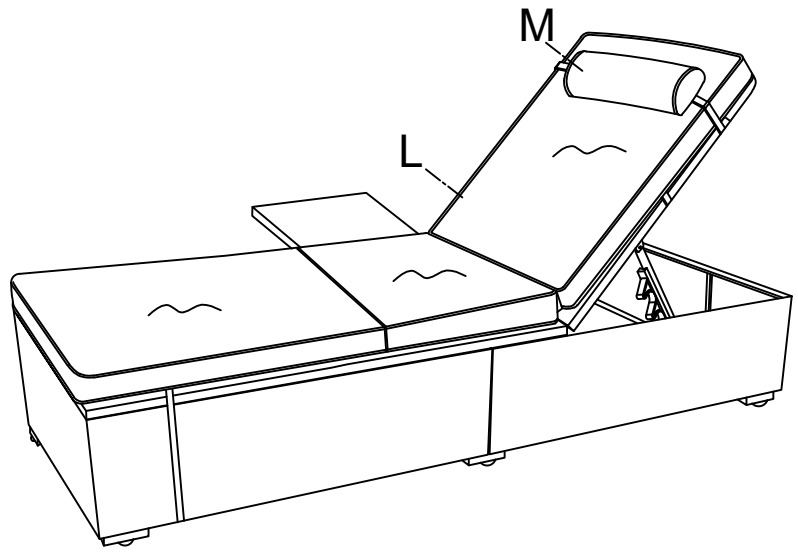


12

ARMLESS RATTAN RECLINING LOUNGE CHAIR

Step 9

	L*1
	M*1



13