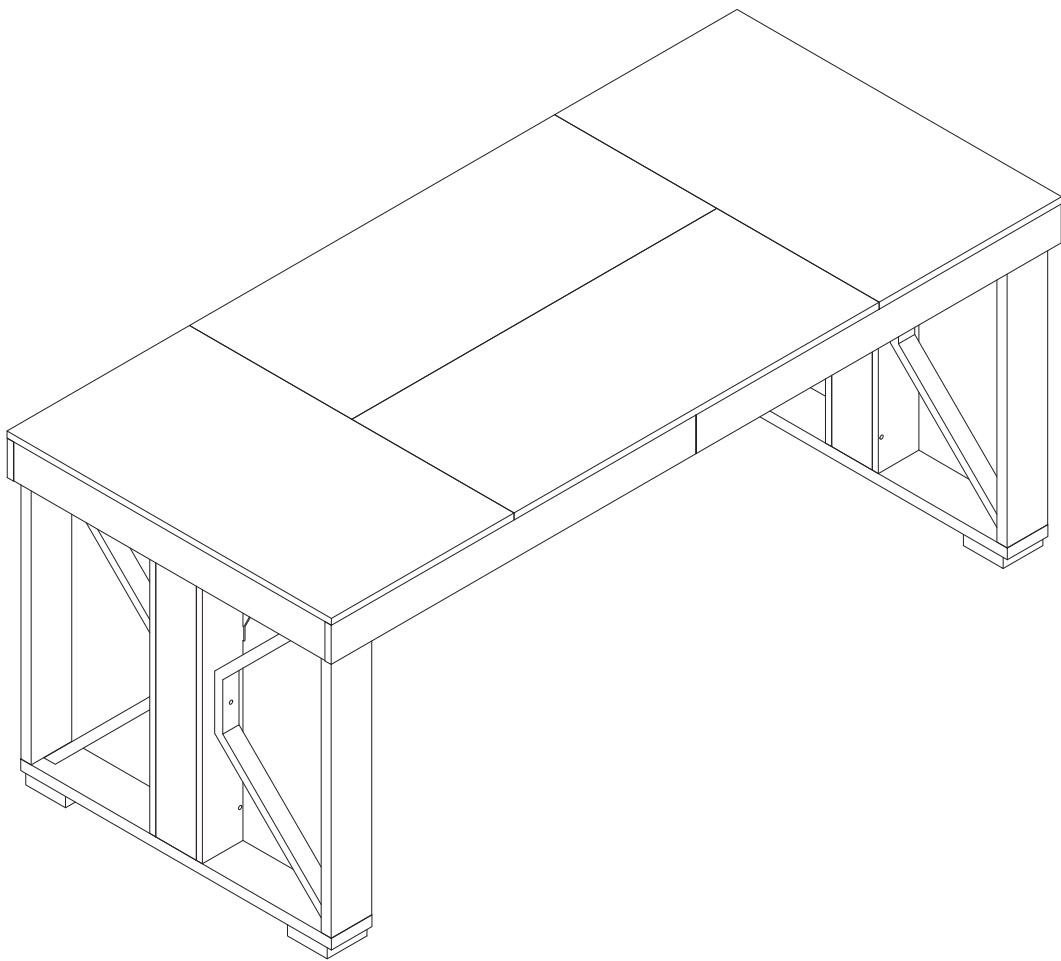


# ***Tribesigns***

DESIGNED FOR LIFE

## **Assembly Instructions**



**Executive Desk**

Model No.  
**HOGA-JW1058**

 **LITTLE TREE**  
Little Tree by Tribesigns

[www.tribesigns.com](http://www.tribesigns.com)



# Contact Us

## We're here to help you.




Your satisfaction is our top priority. If you encounter any issues with this product, such as missing or damaged parts, we're here to help. Please retain the original packaging and take photos of the packaging and the product, then contact us as soon as possible.

### Warm Tips

1. Carefully read these instructions and keep them for future reference.
2. Check the parts list and confirm everything's there before starting assembly.
3. When assembling, put all parts on a soft, smooth surface like a carpet to avoid scratches.
4. Don't fully tighten screws until all parts are confirmed in place to avoid misalignment.

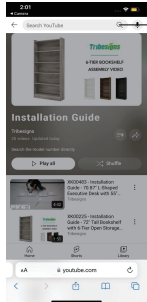
### How to Get the Assembly Video

**Step 1** Scan the QR code.



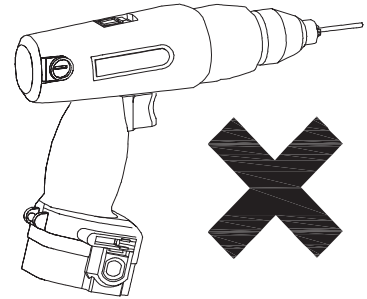
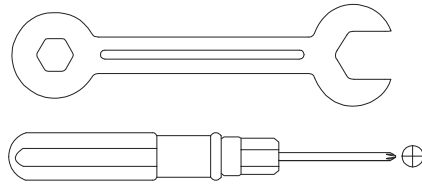
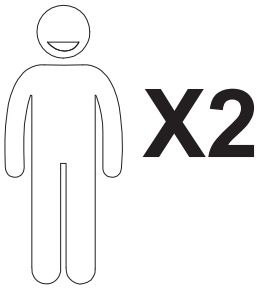
Installation Video

**Step 2** Search with the Model No. (on the bottom left corner of the title page)



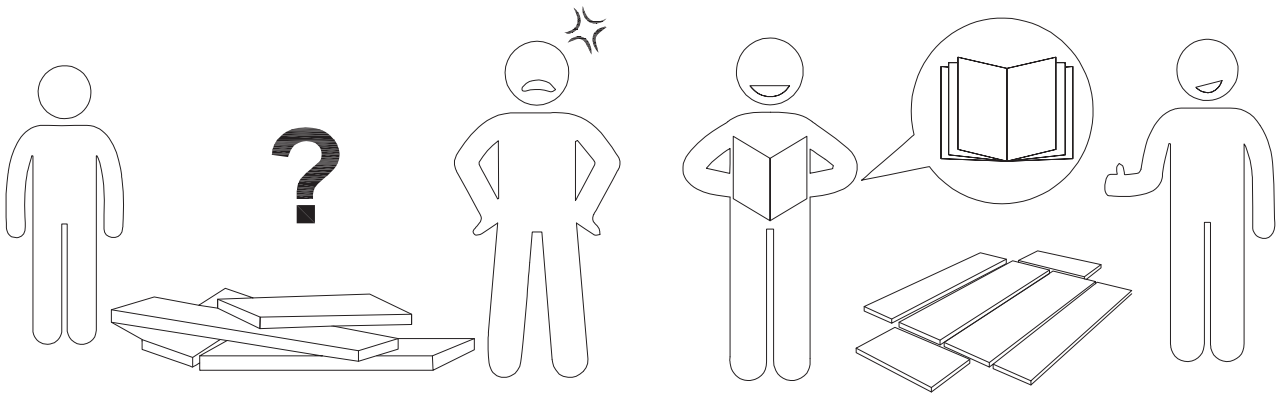
HOGA-JW1058

Note: If you can't find the assembly video, please contact us.



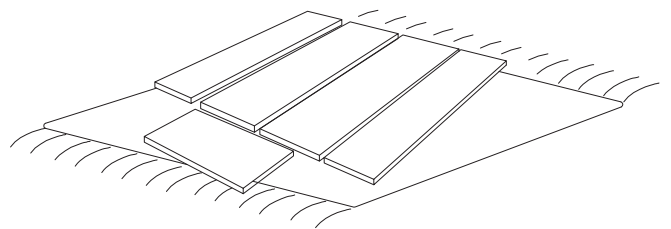
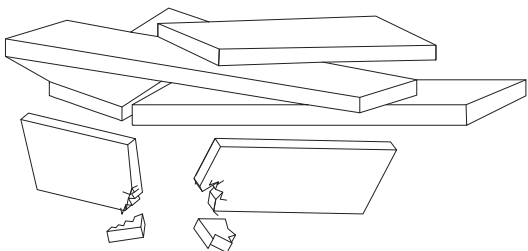
We recommend using hand tools for assembly.

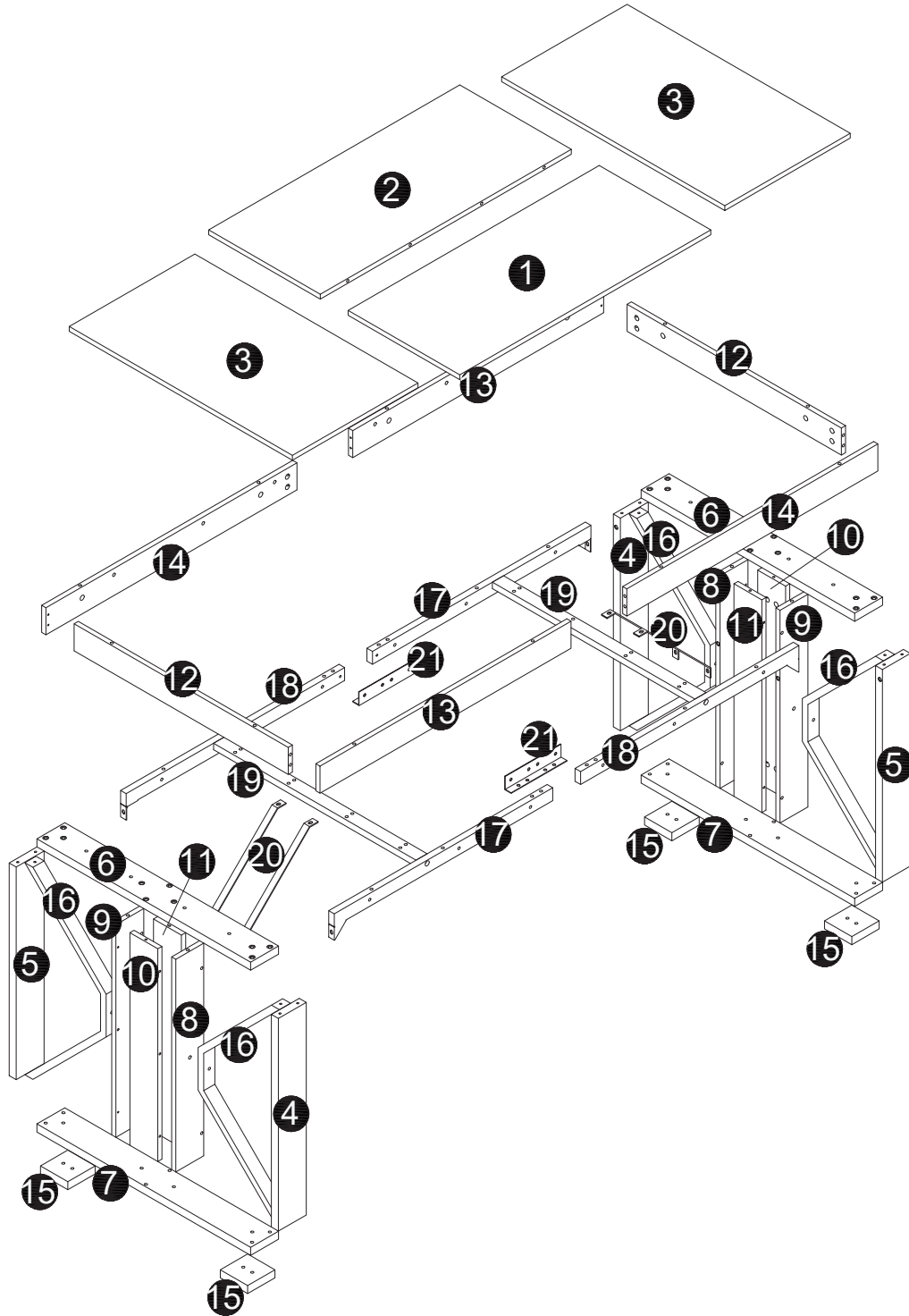
If an electric screwdriver is used, reduce power and torque to avoid damage to the product.



### AVOID SCRATCHES

In order to avoid scratching, this furniture should be assembled on a soft surface, such as a rug.



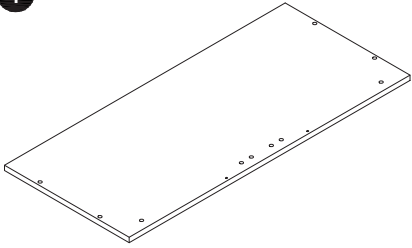
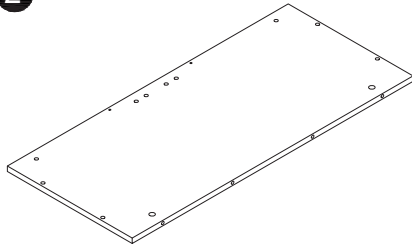
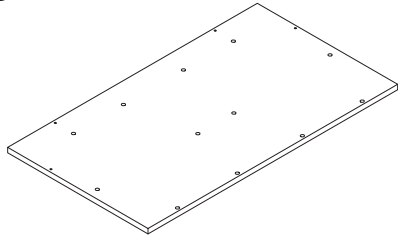
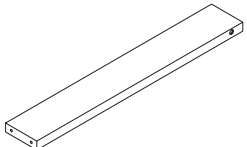
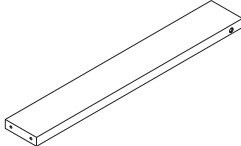
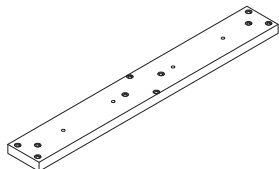
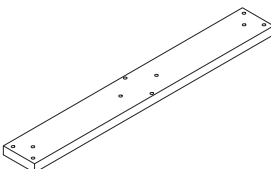
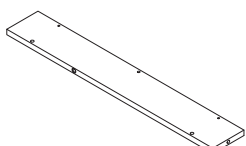
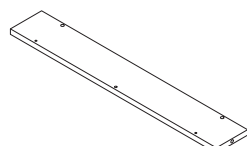
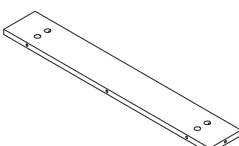
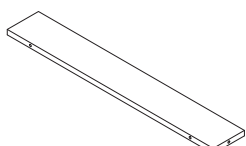
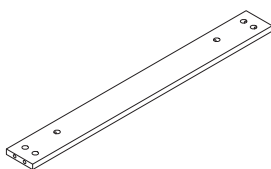
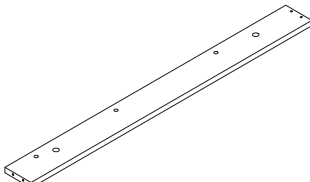
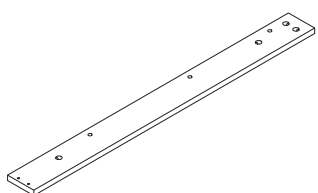
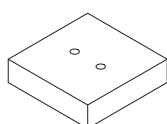


**⚠ Caution**

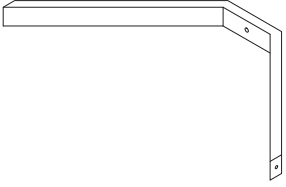
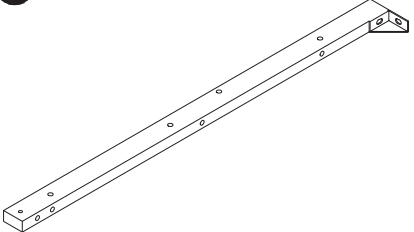
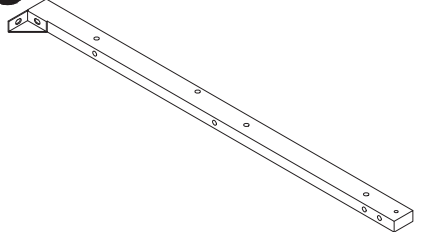
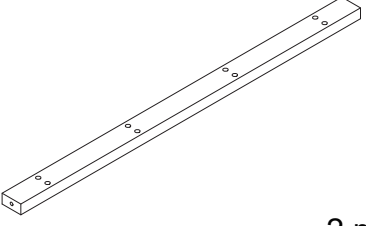
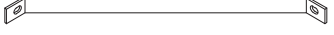
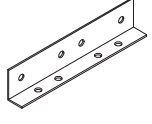
Make sure all parts are included. Most board parts are labeled or stamped on the raw edge. Contact us for a free replacement if you encounter any damaged or missing parts.










# Parts List



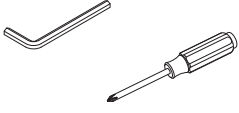
<p>1</p>  <p>1 pc</p>	<p>2</p>  <p>1 pc</p>	<p>3</p>  <p>2 pcs</p>
<p>4</p>  <p>2 pcs</p>	<p>5</p>  <p>2 pcs</p>	<p>6</p>  <p>2 pcs</p>
<p>7</p>  <p>2 pcs</p>	<p>8</p>  <p>2 pcs</p>	<p>9</p>  <p>2 pcs</p>
<p>10</p>  <p>2 pcs</p>	<p>11</p>  <p>2 pcs</p>	<p>12</p>  <p>2 pcs</p>
<p>13</p>  <p>2 pcs</p>	<p>14</p>  <p>2 pcs</p>	<p>15</p>  <p>4 pcs</p>

## Parts List

<p><b>16</b></p>  <p>4 pcs</p>	<p><b>17</b></p>  <p>2 pcs</p>	<p><b>18</b></p>  <p>2 pcs</p>
<p><b>19</b></p>  <p>2 pcs</p>	<p><b>20</b></p>  <p>4 pcs</p>	<p><b>21</b></p>  <p>2 pcs</p>

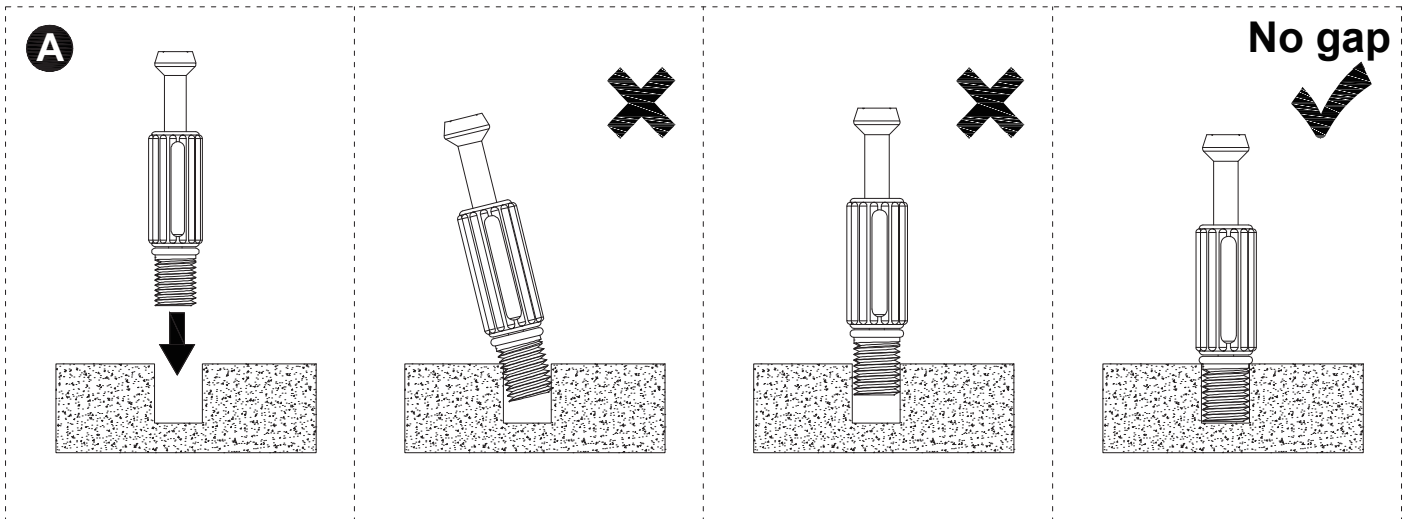
## Hardware List

<b>A</b>	<b>B</b>	<b>C</b>	<b>E</b>	<b>F</b>	<b>H</b>	<b>I</b>
	 M7x50mm		 M6x30mm	 M6x35mm	 M6x50mm	 M6x60mm
34 pcs	40 pcs	34 pcs	40 pcs	12 pcs	16 pcs	4 pcs

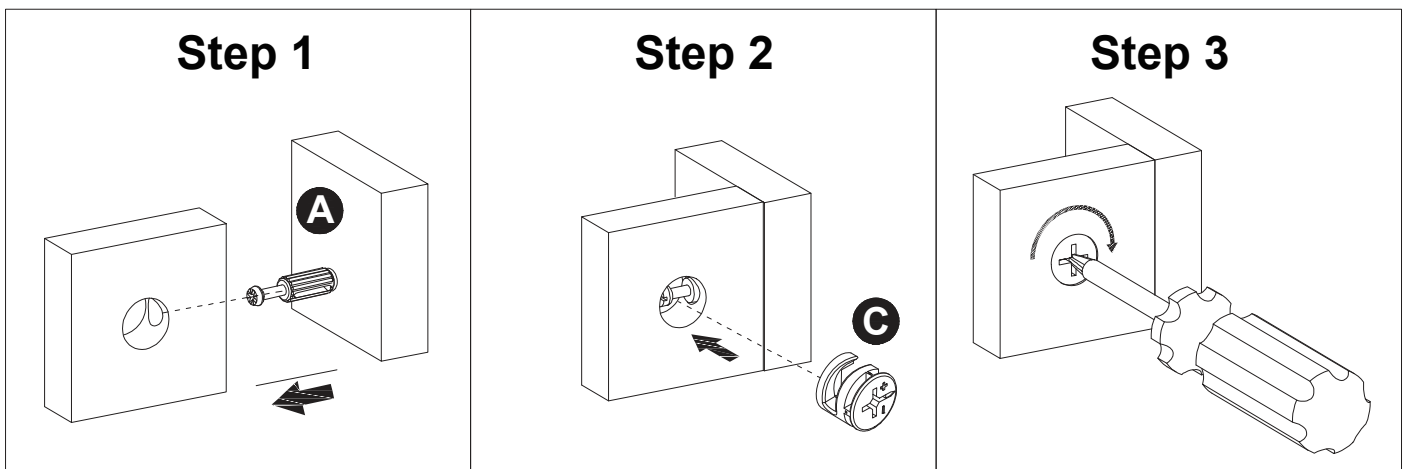
<b>N</b>	<b>W</b>					
 M6x10mm	 Ø6x30mm					
16 pcs	6 pcs					

# Installation of Cams and Pins

Read each step carefully before starting. Each step of instruction should be performed in the correct order. If these steps are not followed in sequence, assembly difficulties may occur.




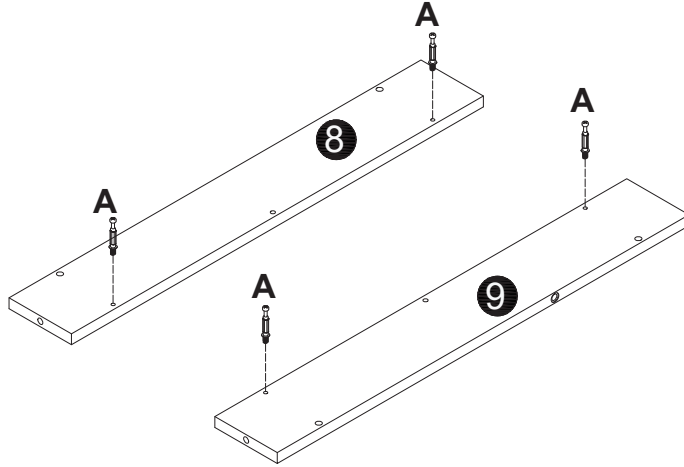
Screw the pin into the hole. Set the cams correctly by aligning the head of the cams with the lock pins. Lock the cam by turning the cam head with a screwdriver until it is tightened. Please do not use an electric screwdriver to assemble the unit.







1

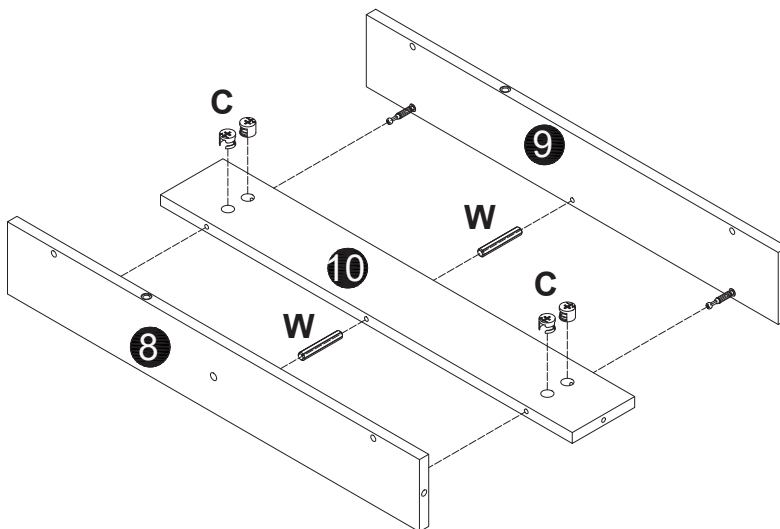
A

8 pcs



x2

2


C	W
	 Ø6x30mm
8 pcs	4 pcs

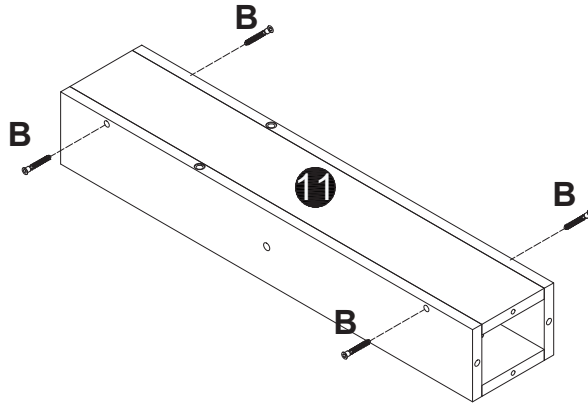


x2




3

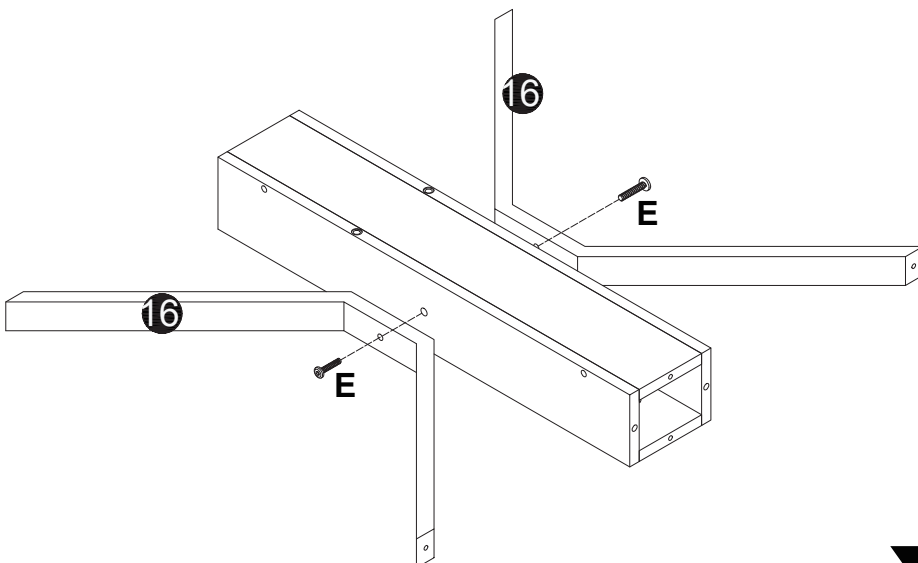
<b>B</b>
 M7x50mm
8 pcs



x2

4


<b>E</b>
 M6x30mm
4 pcs

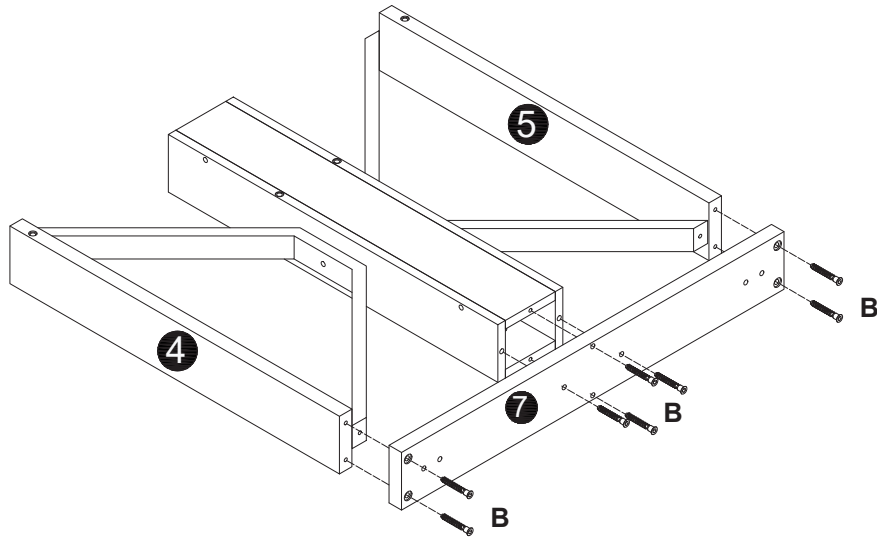


x2





5

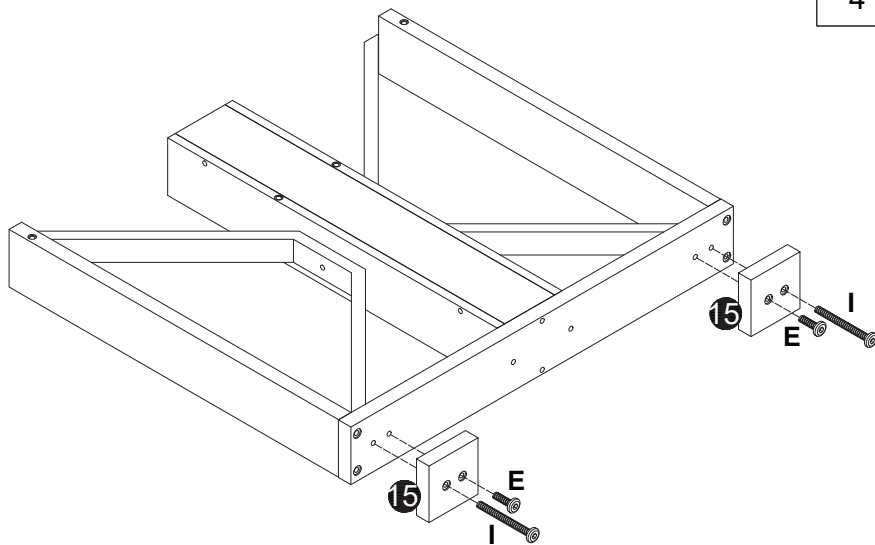
<b>B</b>

M7x50mm
16 pcs



x2

6



<b>E</b>	<b>I</b>
	
M6x30mm	M6x60mm
4 pcs	4 pcs

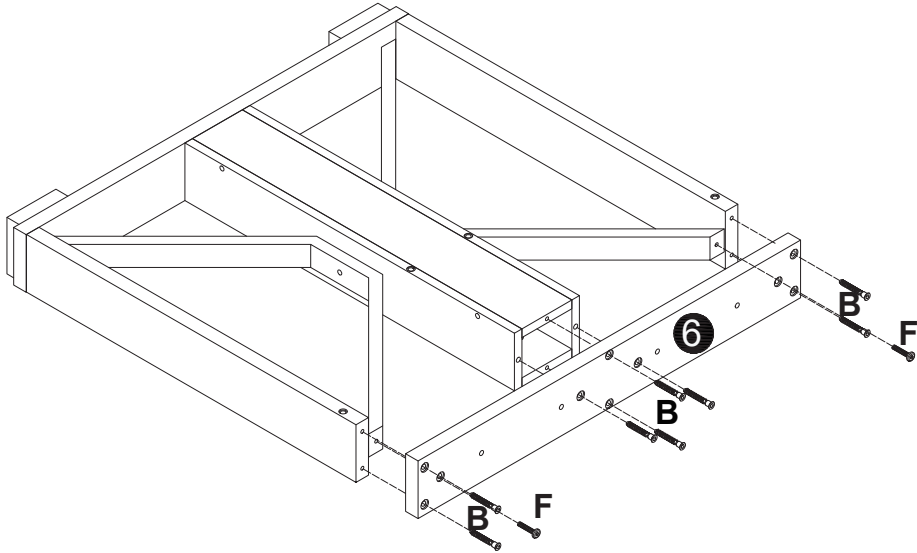


x2




7

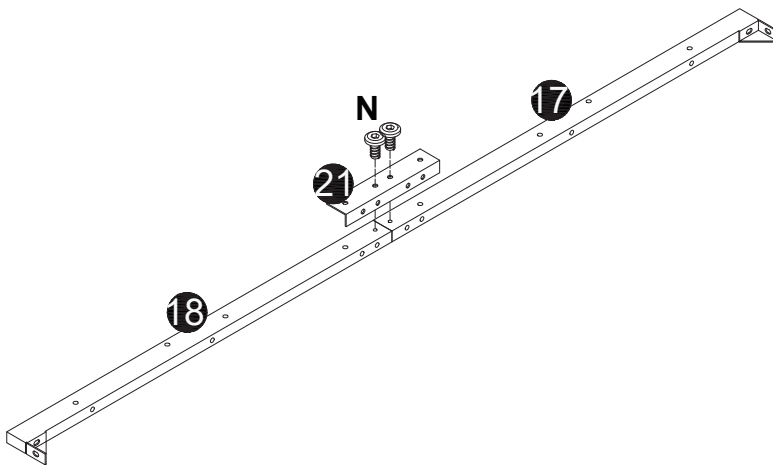
B	F
	
M7x50mm	M6x35mm
16 pcs	4 pcs



x2

8


N

M6x10mm
4 pcs

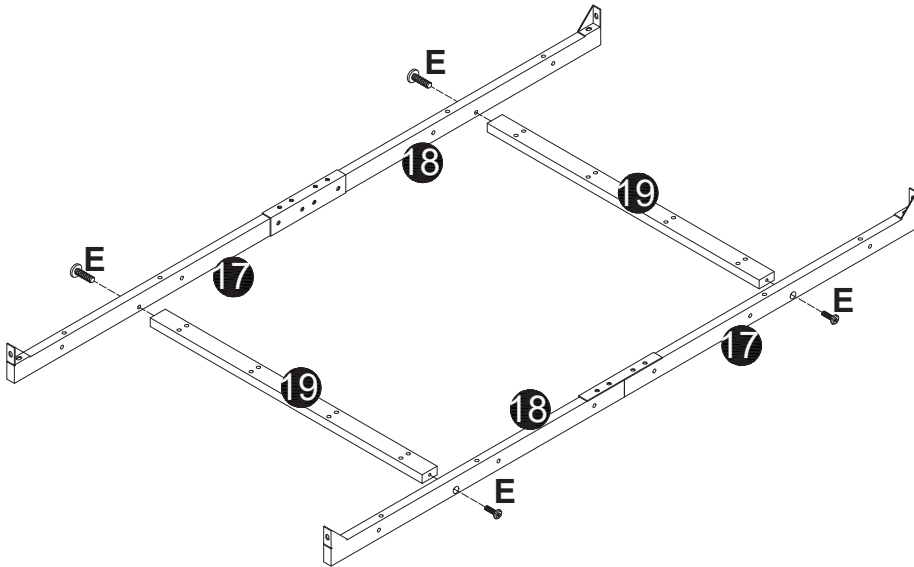


x2






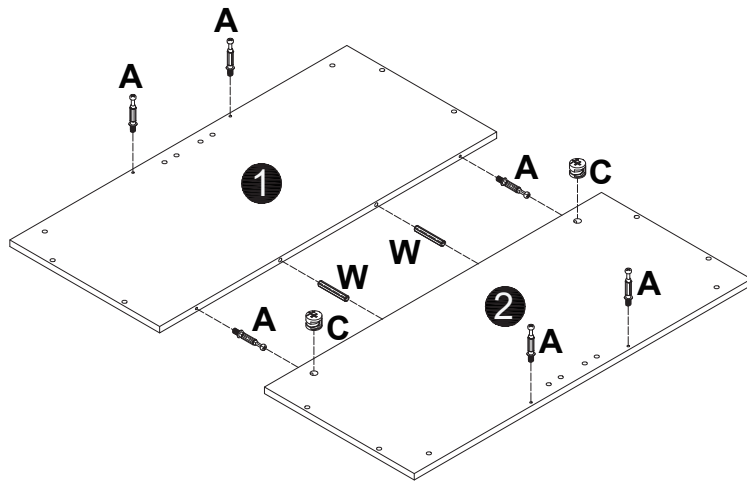
9

<b>E</b>

M6x30mm
4 pcs




10

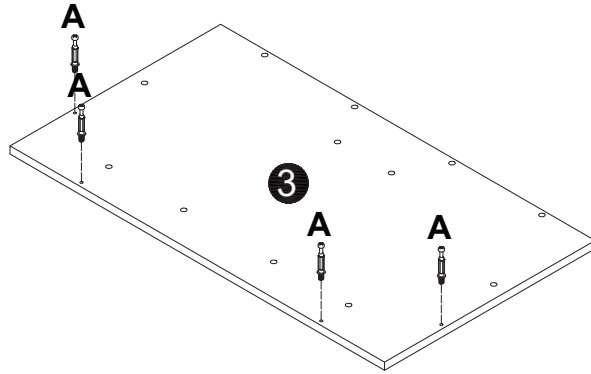
<b>A</b>	<b>C</b>	<b>W</b>
		
6 pcs	2 pcs	2 pcs





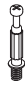

11

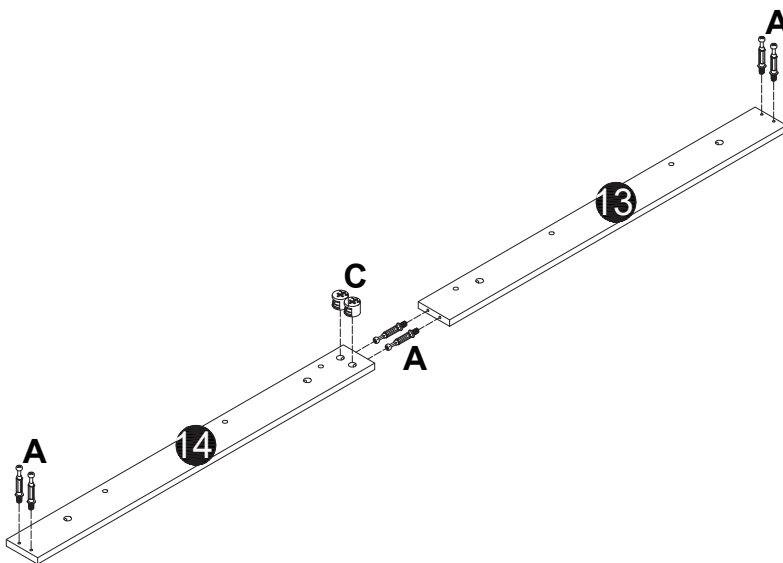
A

8 pcs



x2

12

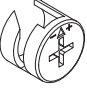
A	C
	
12 pcs	4 pcs

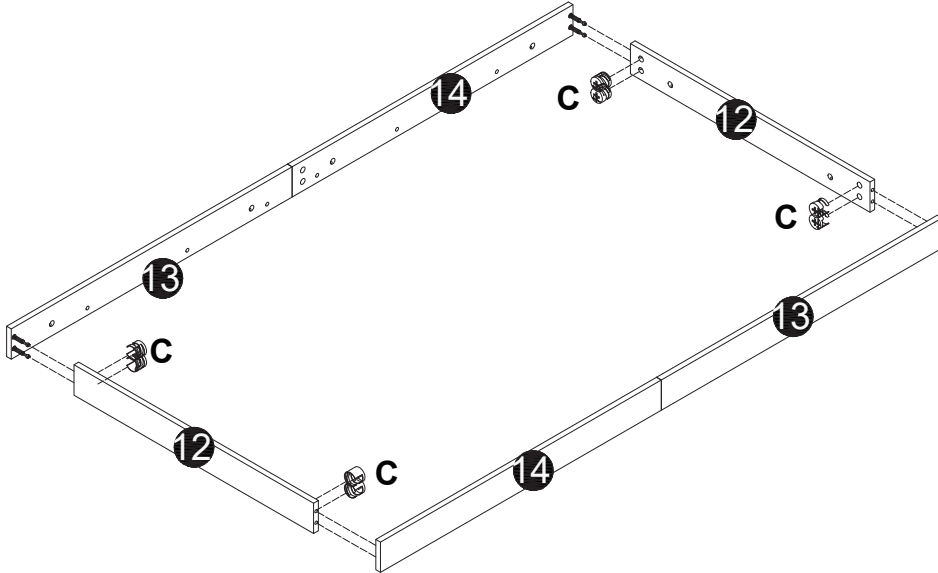


x2

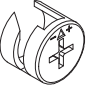


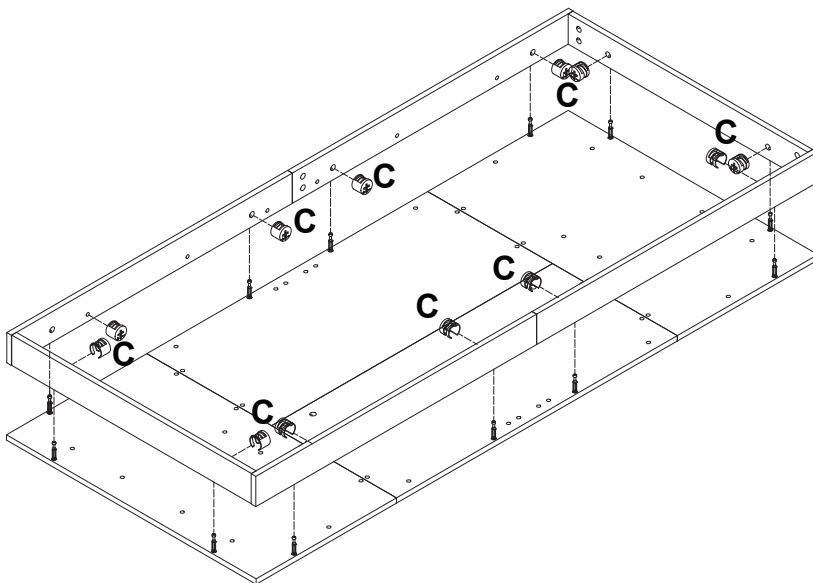
13

C

8 pcs





14

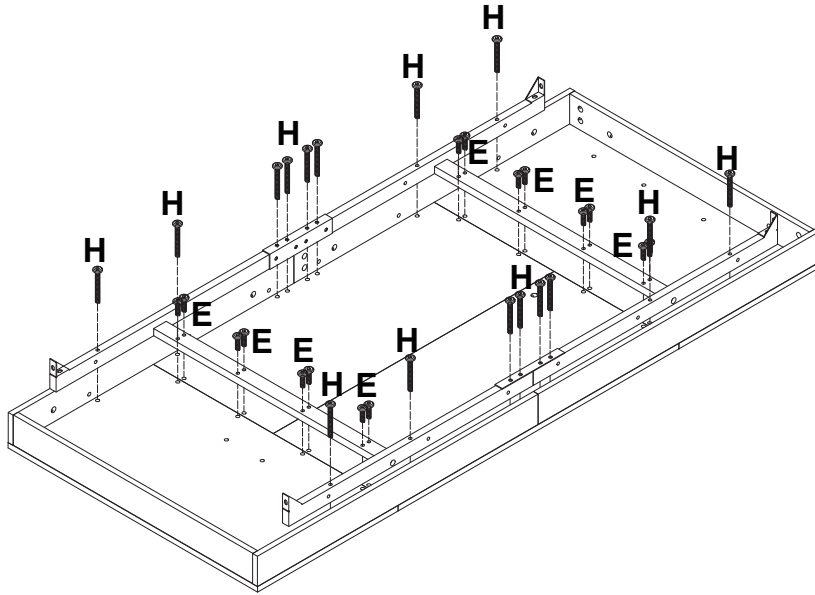
C

12 pcs







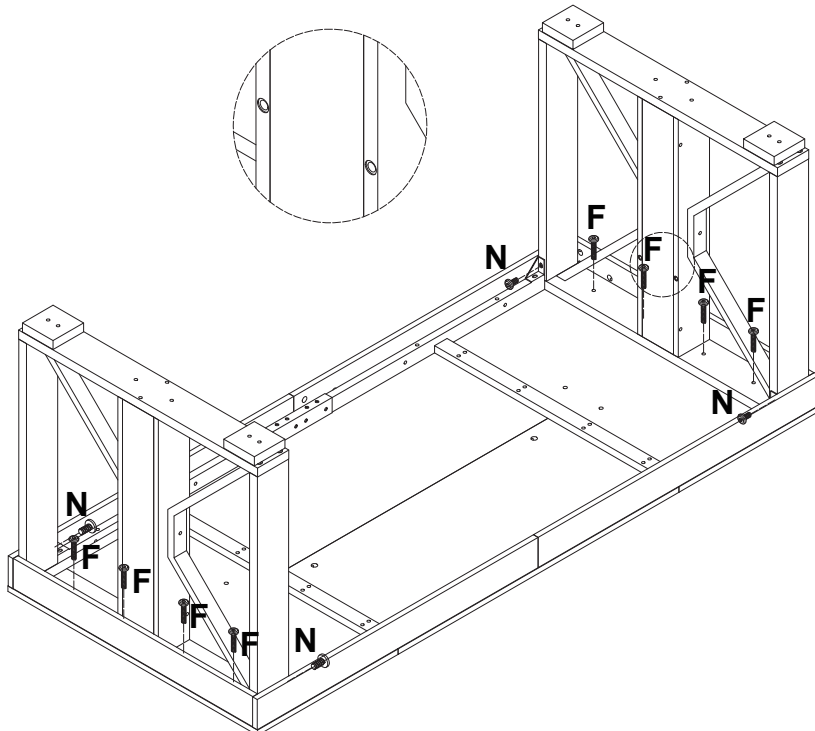
15

E	H
	
M6x30mm	M6x50mm
16 pcs	16 pcs





16

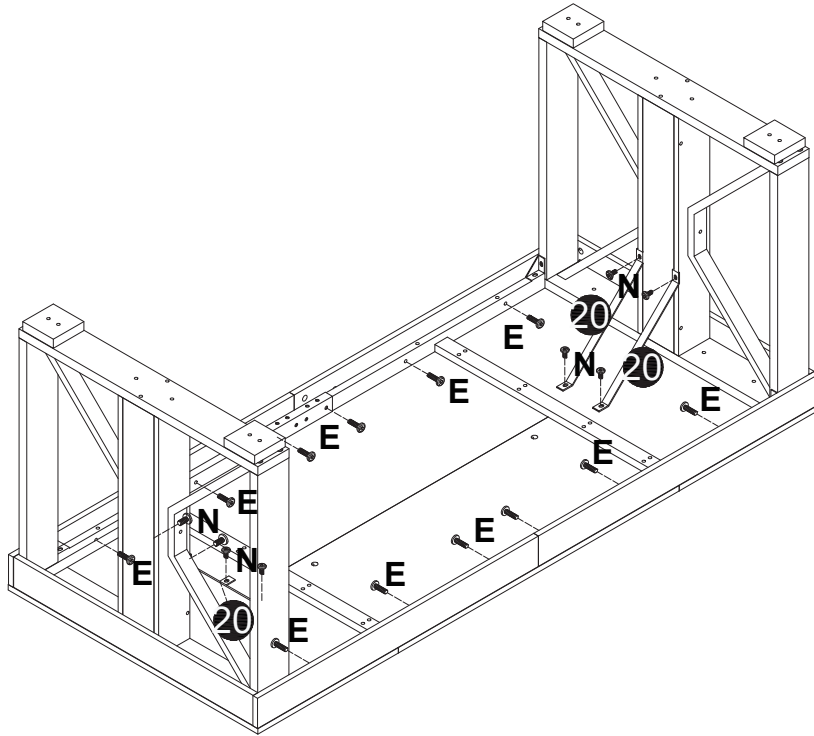
N	F
	
M6x10mm	M6x35mm
4 pcs	8 pcs



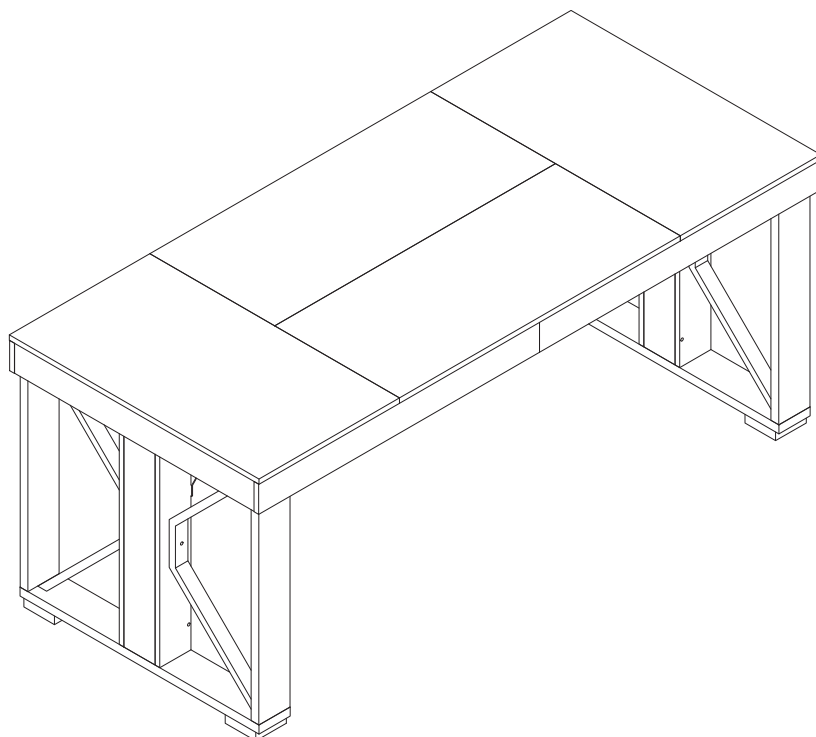


17

E	N
	
M6x30mm	M6x10mm
12 pcs	8 pcs



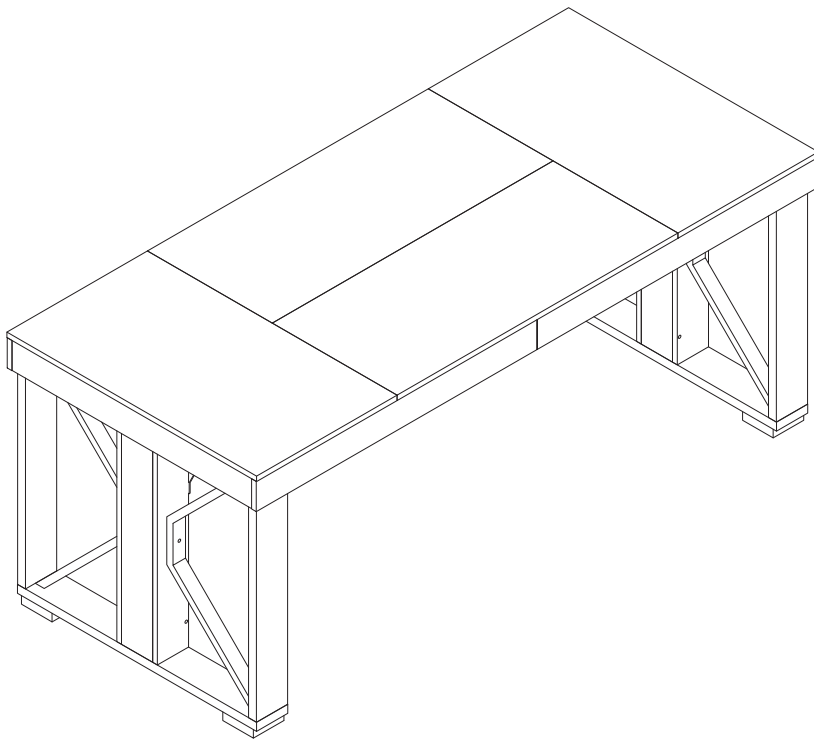
18





DESIGNED FOR LIFE

Thank you for your support!



Contact our customer service team



support@tribesigns.com  
www.tribesigns.com



1-424-220-6888

7 AM to 8 PM EST,  
Monday to Friday

Follow Tribesigns



Facebook



Instagram



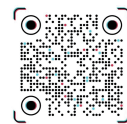
Pinterest



Twitter



YouTube



TikTok



WhatsApp