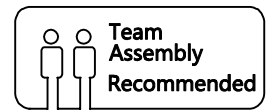
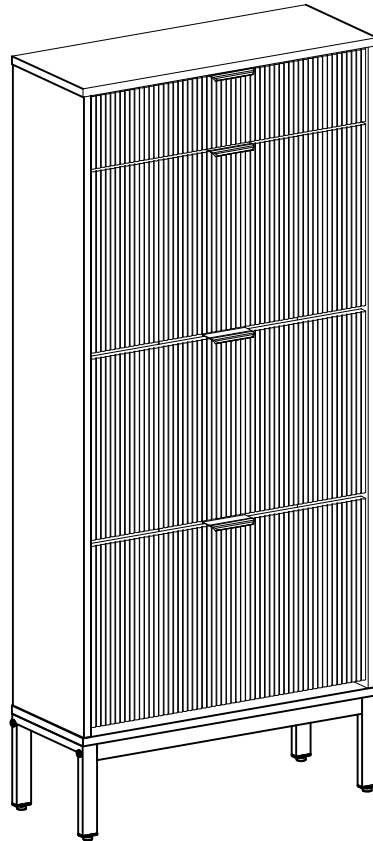


3 Door One Drawer Shoe Cabinet Installation Manual



Trouble shooting:

Missing / Wrong / Broken parts and installation issues



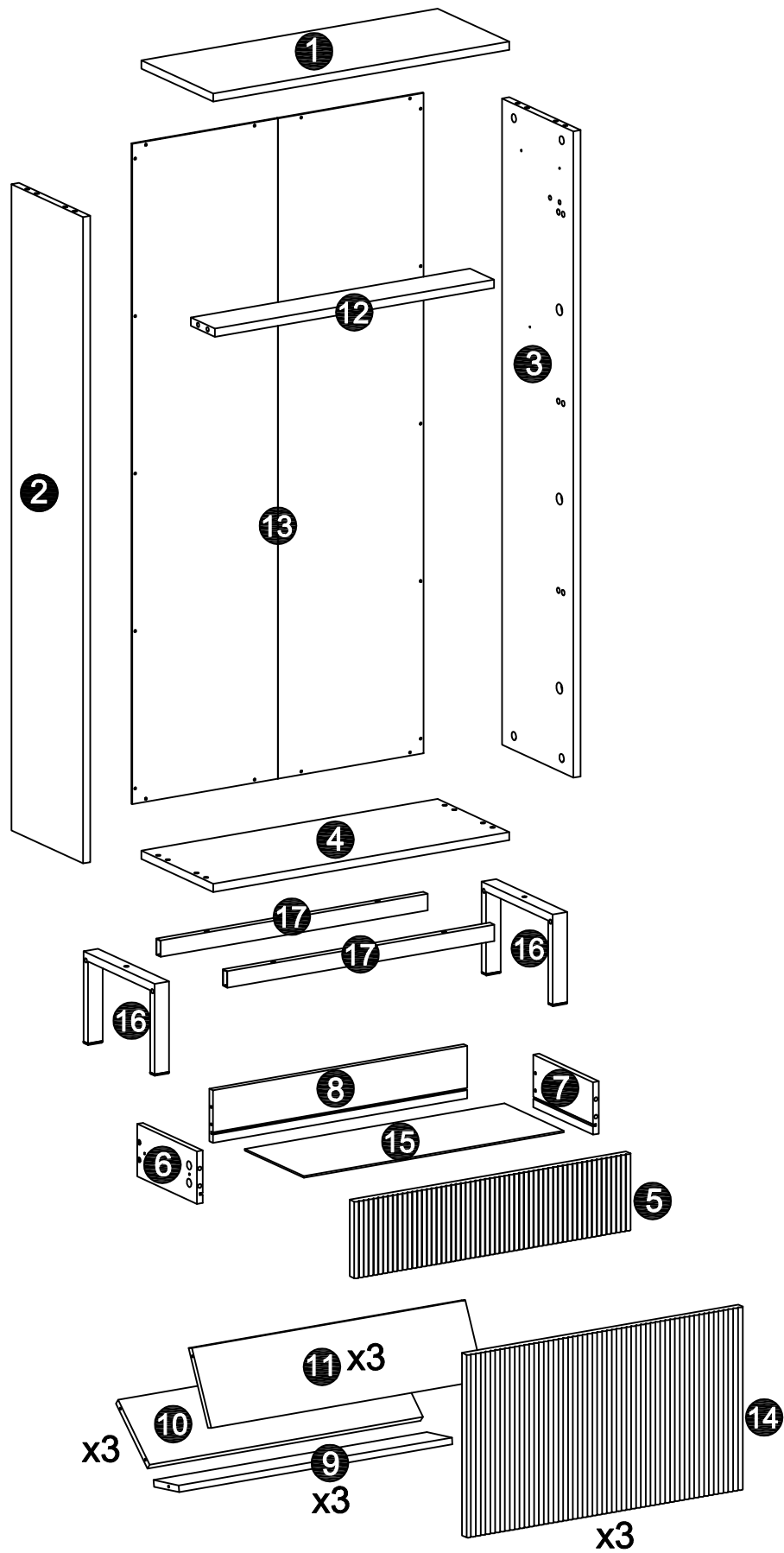
Send email with your question, pic and order NO. to
support@idealhouse.vip



Respond within 24 hours




Issue resolved

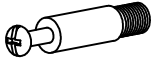






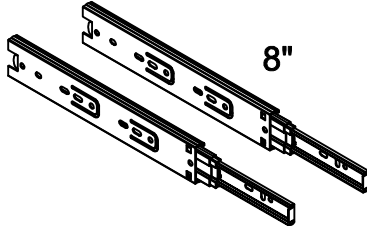




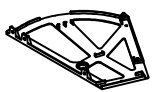
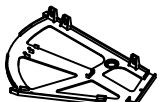


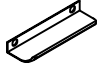

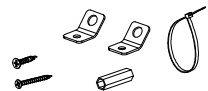

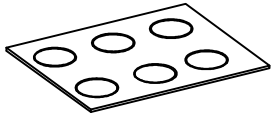
Note: Don't tighten all screws during installation.

Components (A) ▲



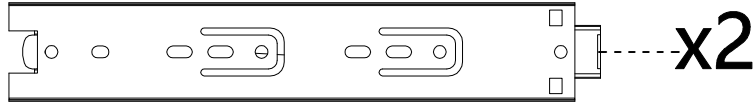
Screws & Tools 

A			x16+1
B		Ø15 x 9mm	x16+1
C		Ø8 x 30mm	x8
D		Ø3.5 x 35mm	x4+1
E		Ø3 x 12mm	x16+2
F		Ø3.5 x 14mm	x48+4
G		Ø3 x 14mm	x18+2
H		8"	x1
I		M6 x 25mm	x2
J		M6 x 40mm	x4+1
K		M6 x 55mm	x4+1
L		M6 x 22mm	x4
M		x1	x3
		x1	

N		64mm	x4
O			x6
P			x2
R		4#	x1
S			x4+2

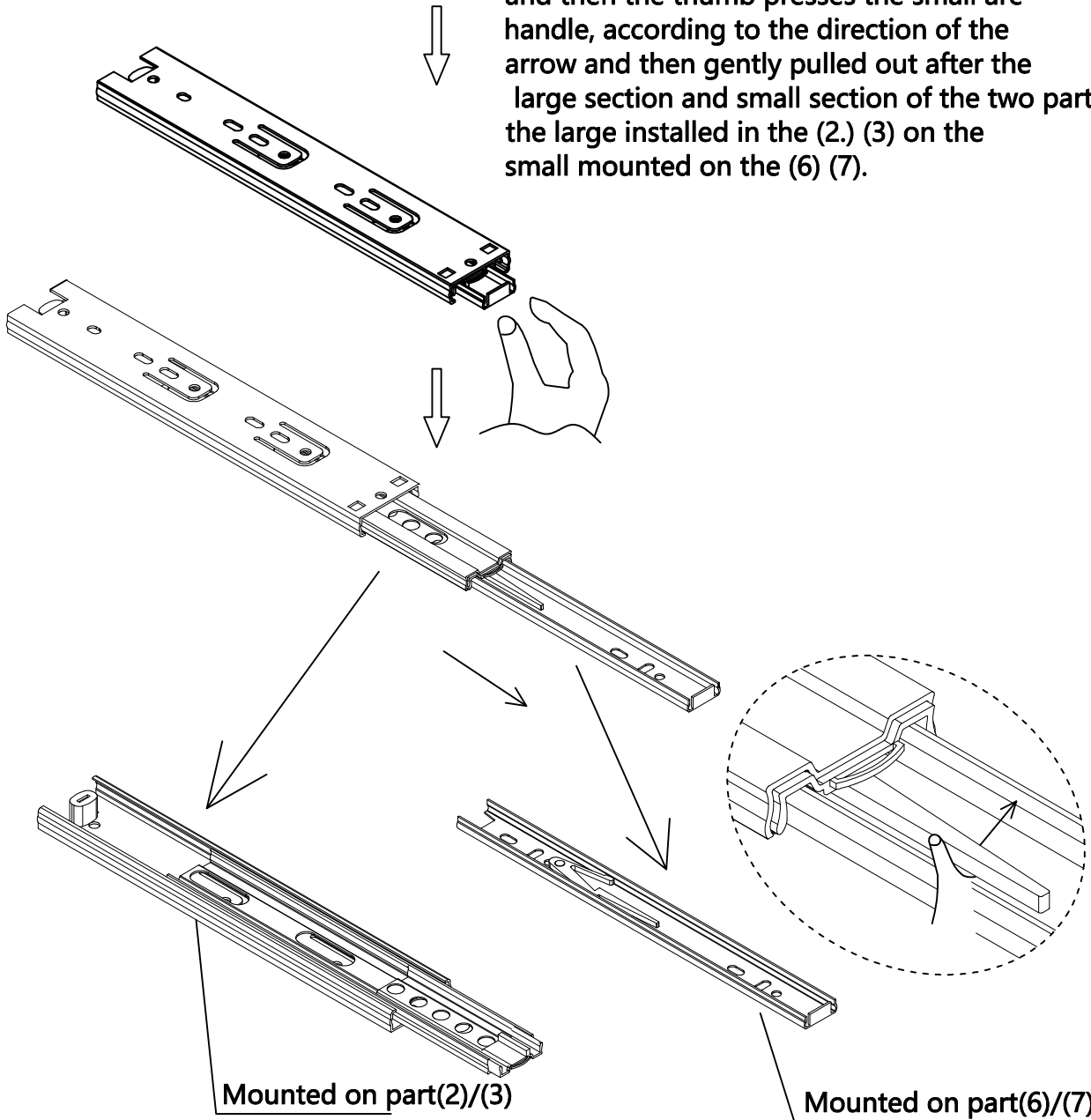
Check all the components & screws before assembly.
Do not install in case part is missing, contact us to get.

HARDWARE LIST

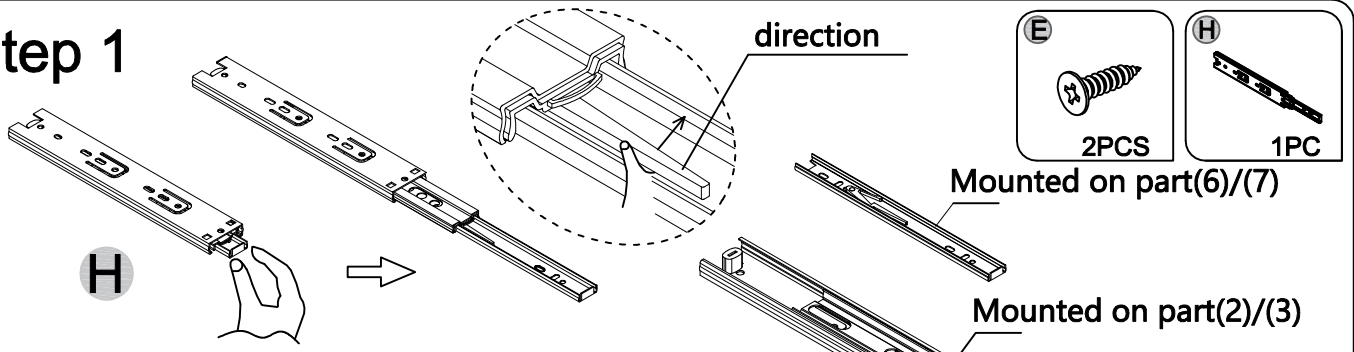


H

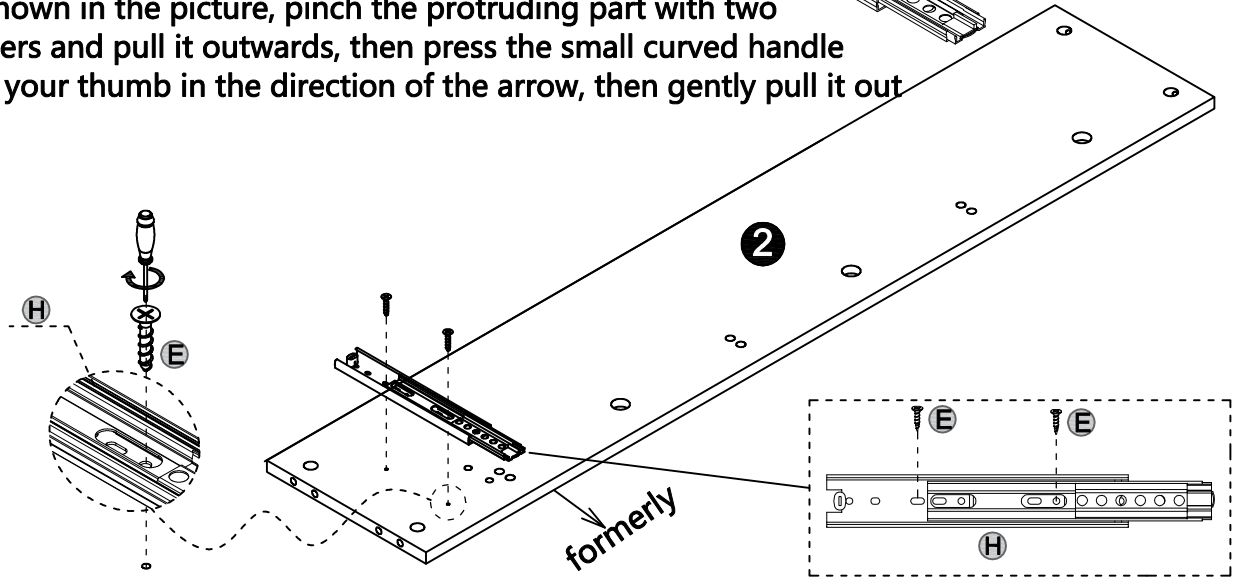
As shown in the figure, with two fingers pinch the protruding part and pull outward, and then the thumb presses the small arc handle, according to the direction of the arrow and then gently pulled out after the large section and small section of the two parts, the large installed in the (2.) (3) on the small mounted on the (6) (7).



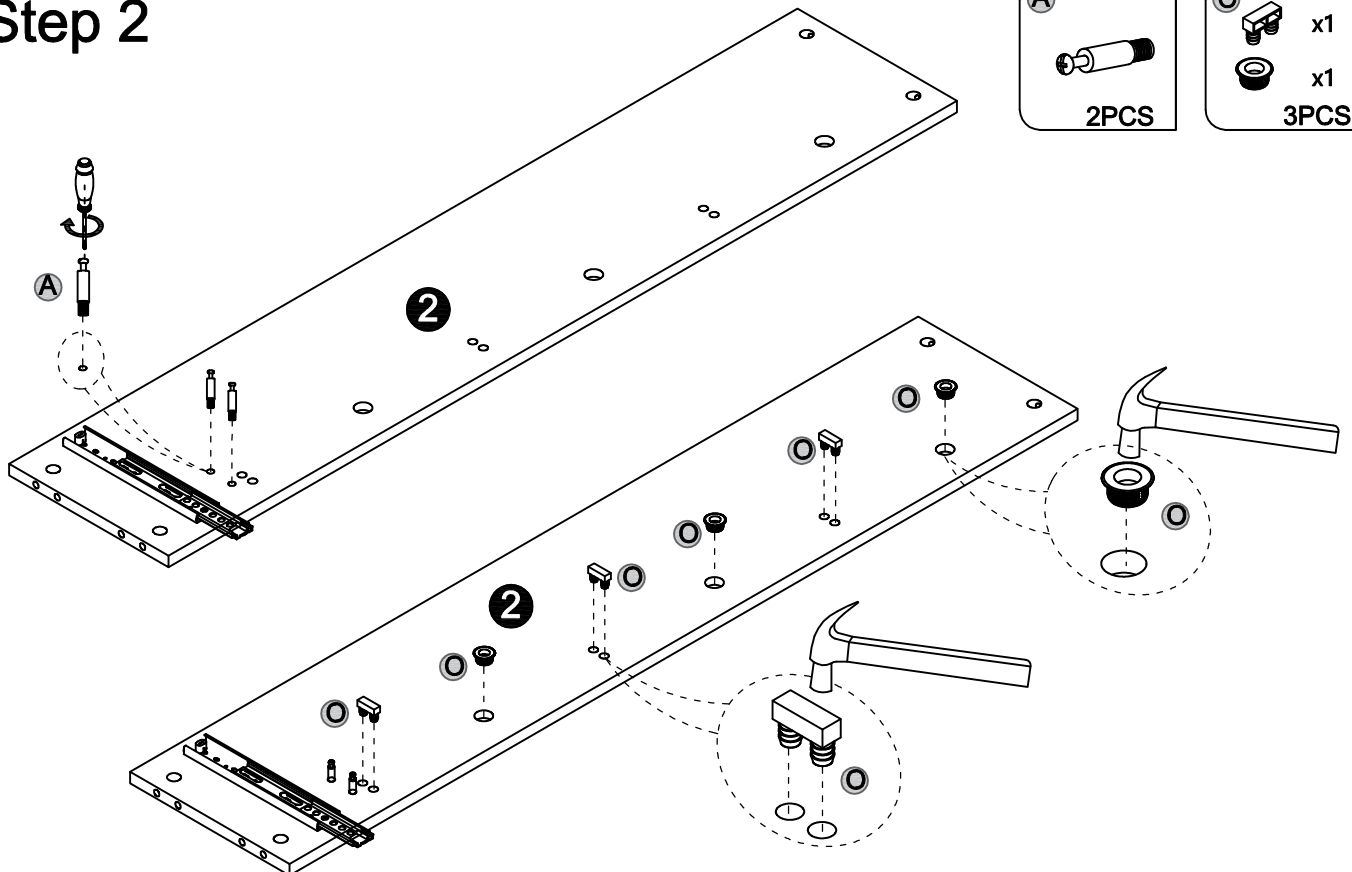
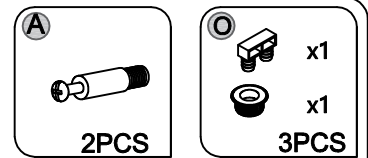
Step 1



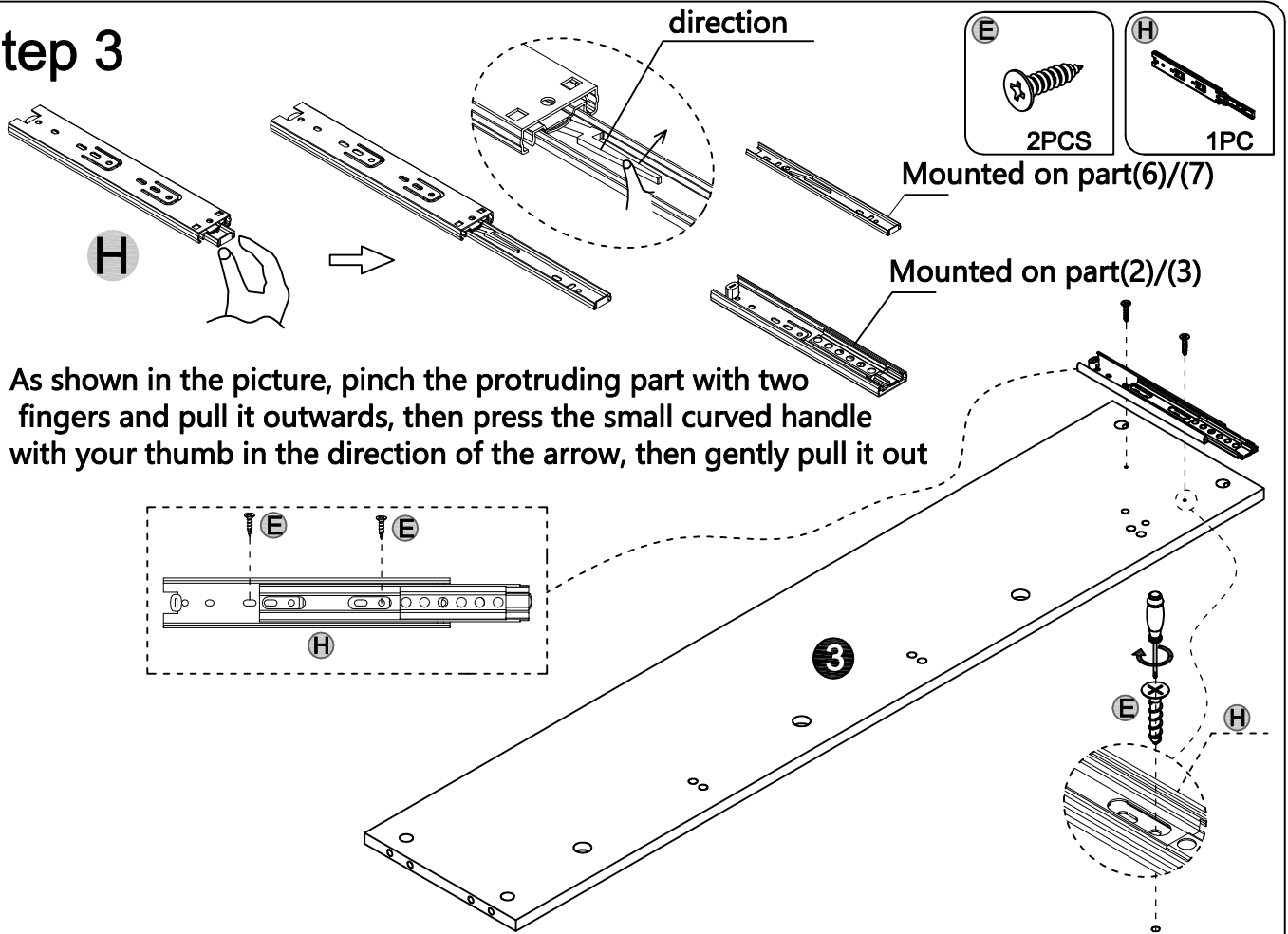
As shown in the picture, pinch the protruding part with two fingers and pull it outwards, then press the small curved handle with your thumb in the direction of the arrow, then gently pull it out



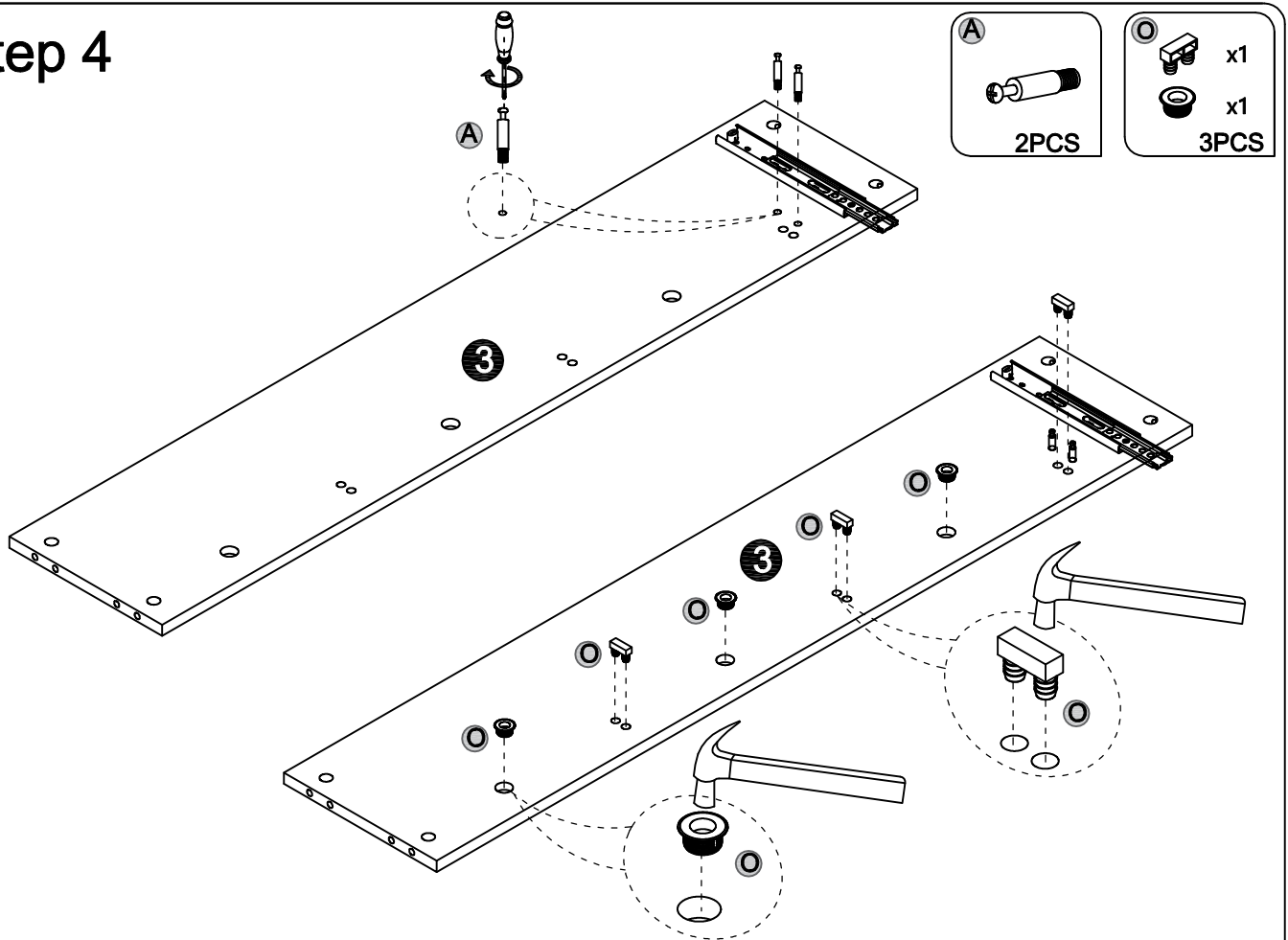
Step 2



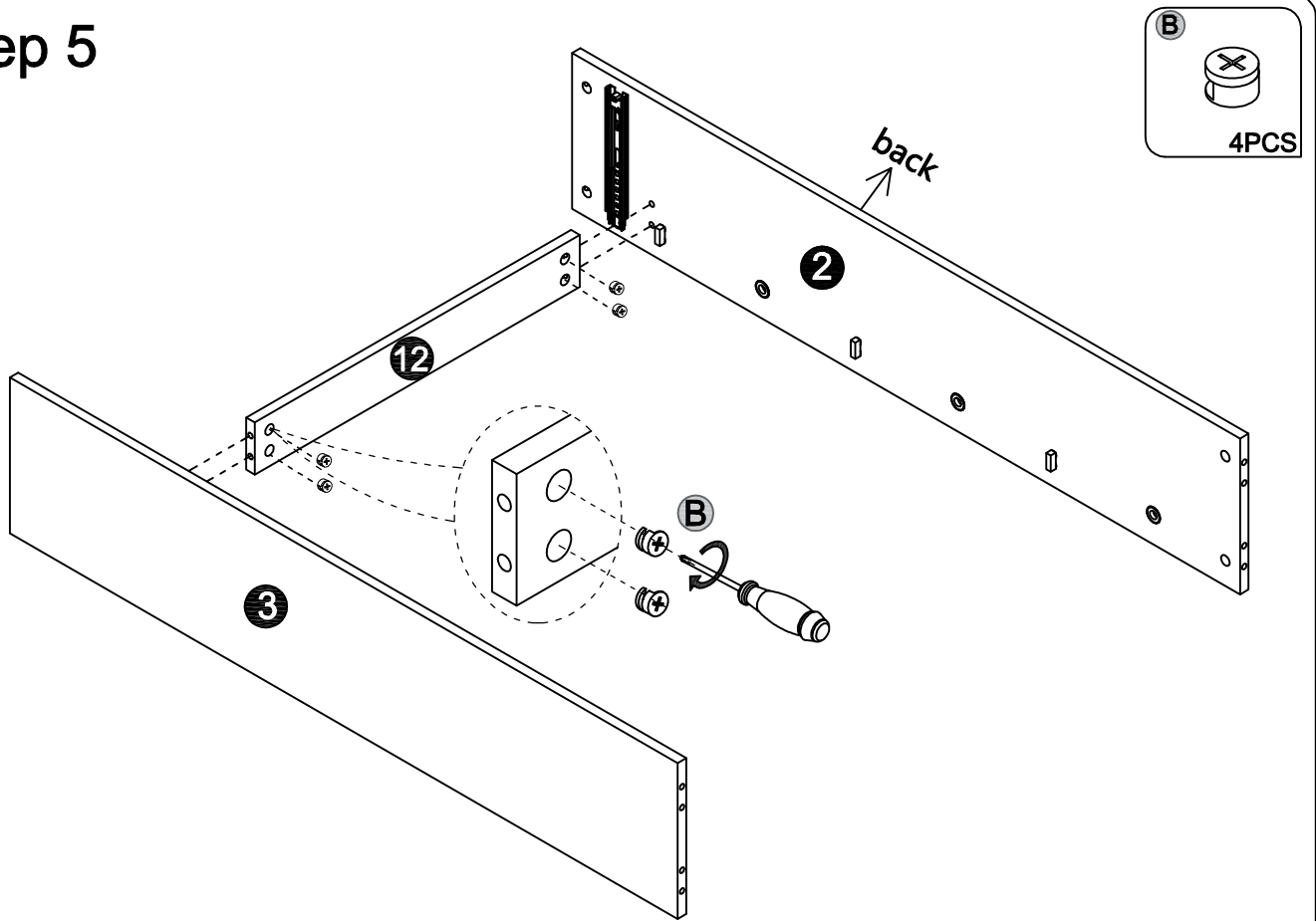
Step 3



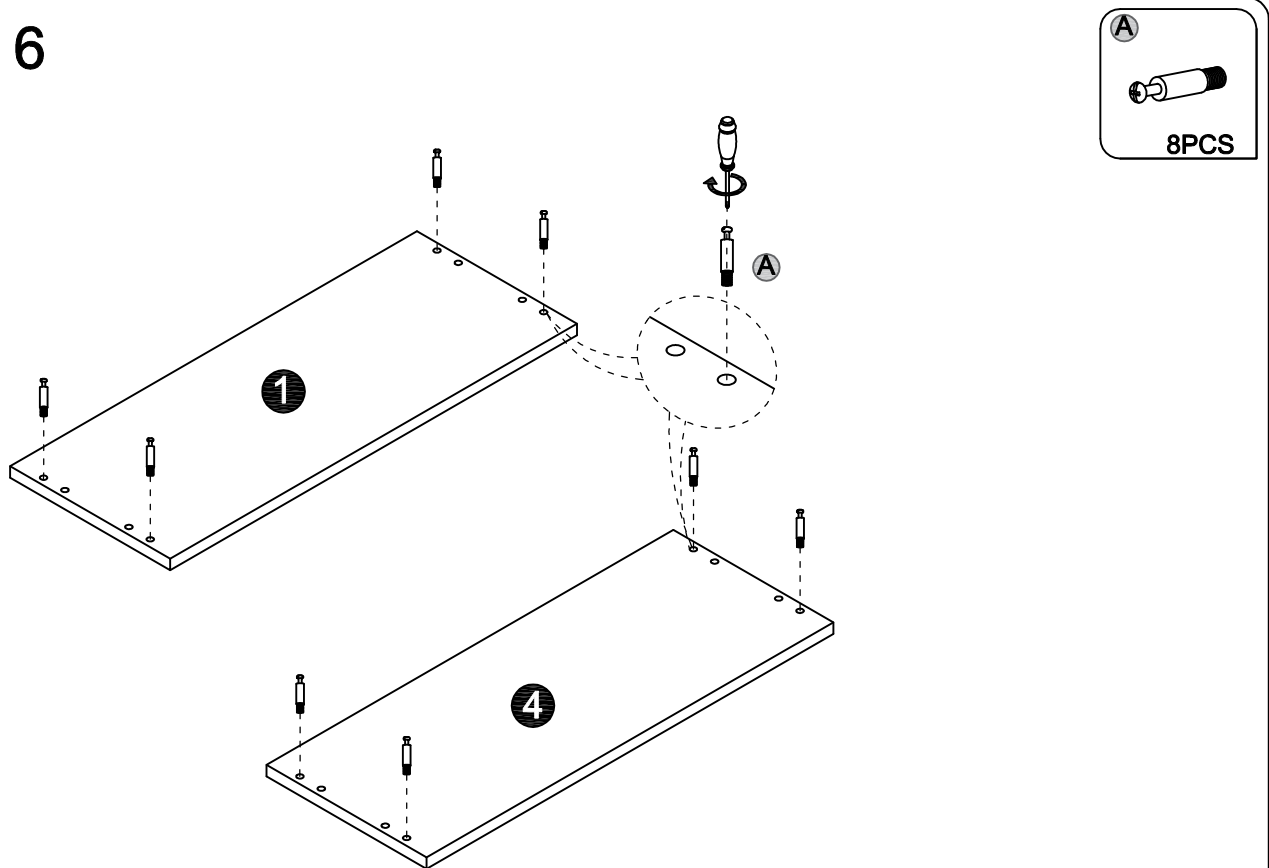
Step 4



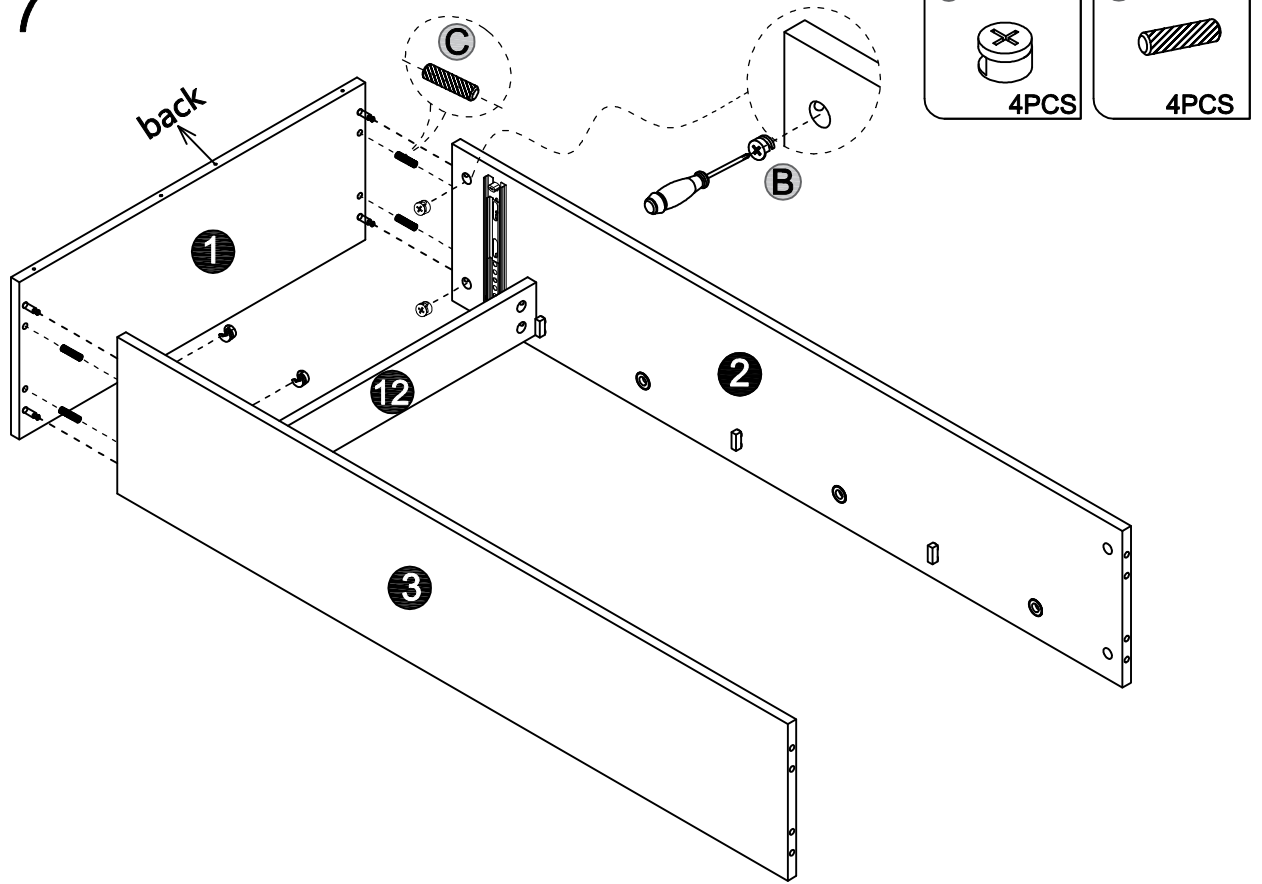
Step 5



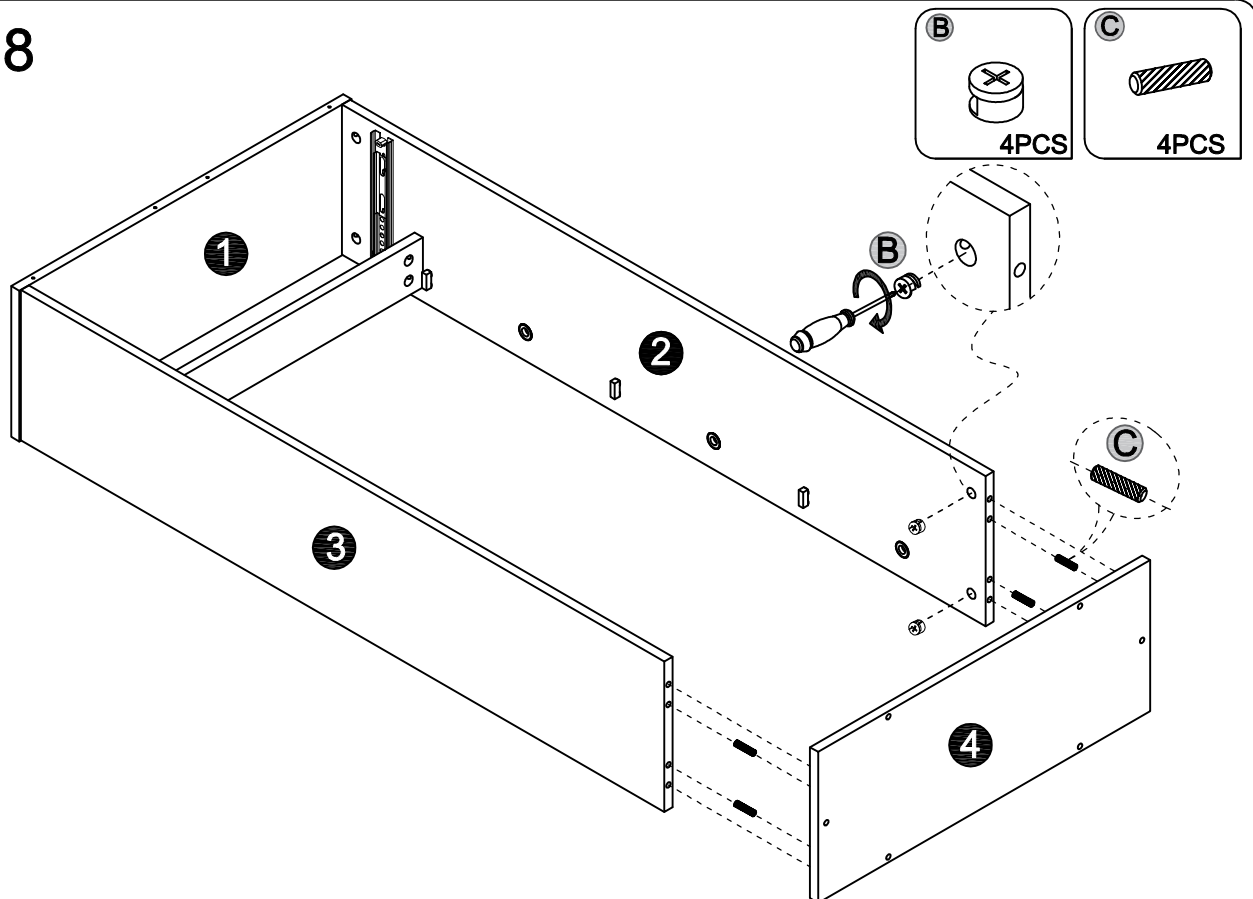
Step 6




Step 7

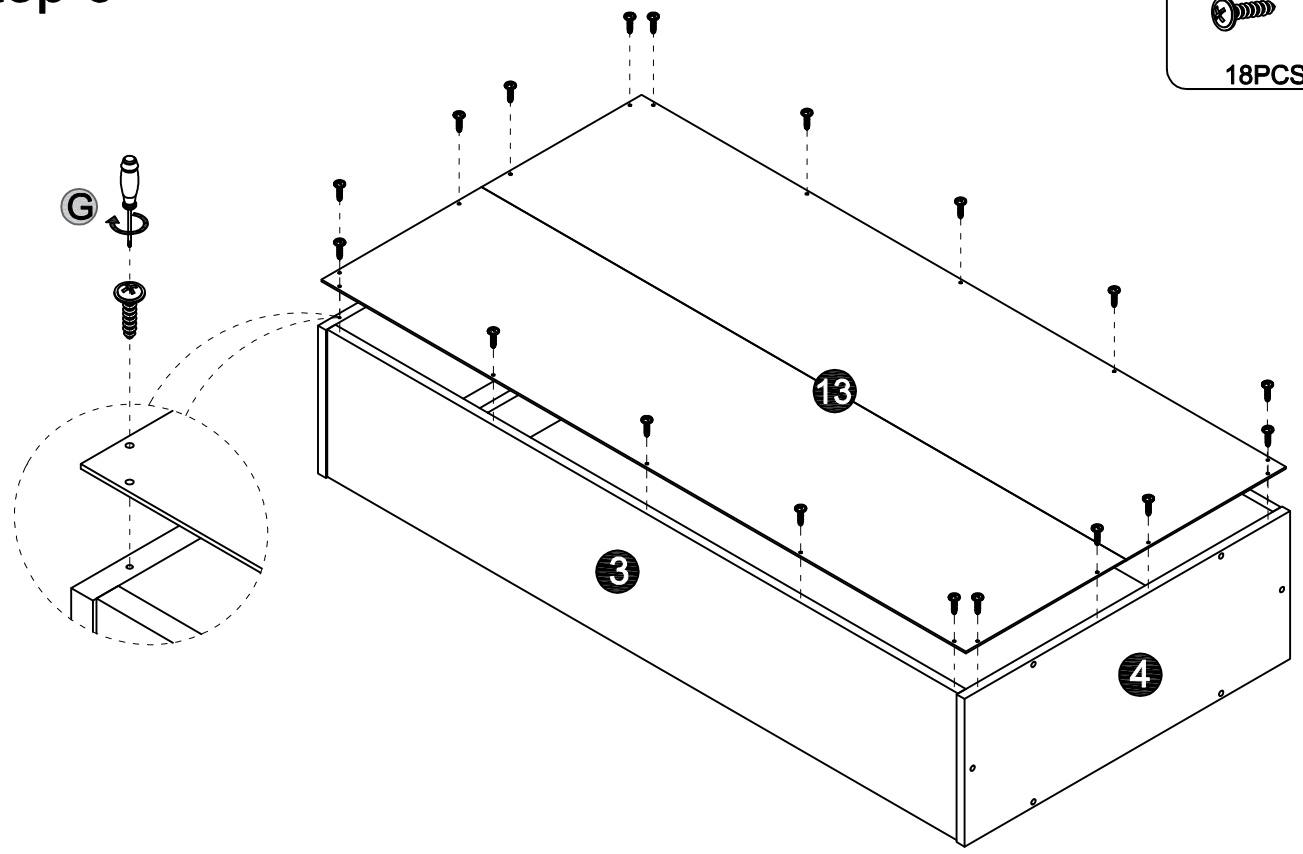


Step 8





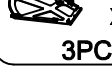
Step 9

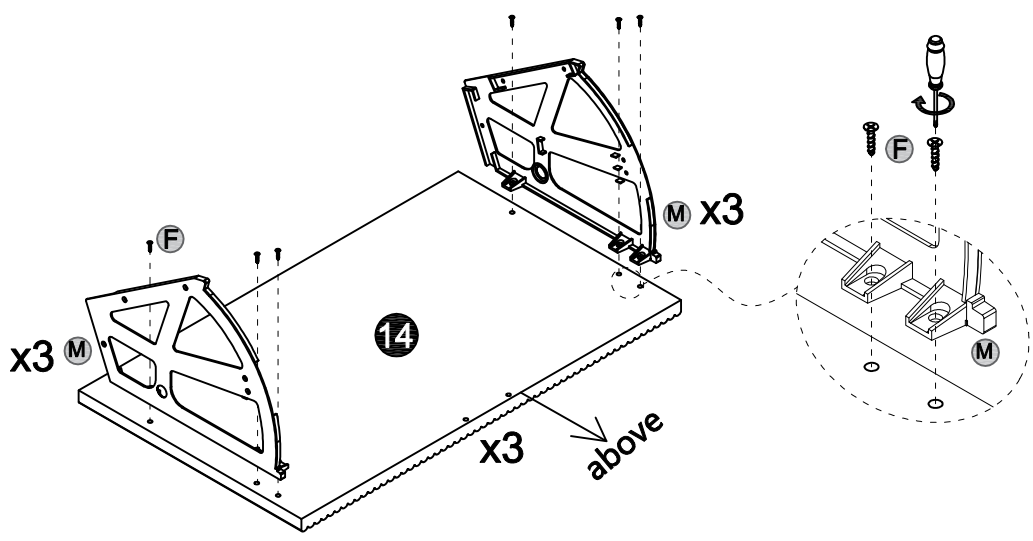
G

18PCS



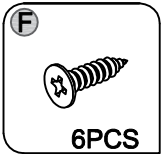
Step 10

F

18PCS

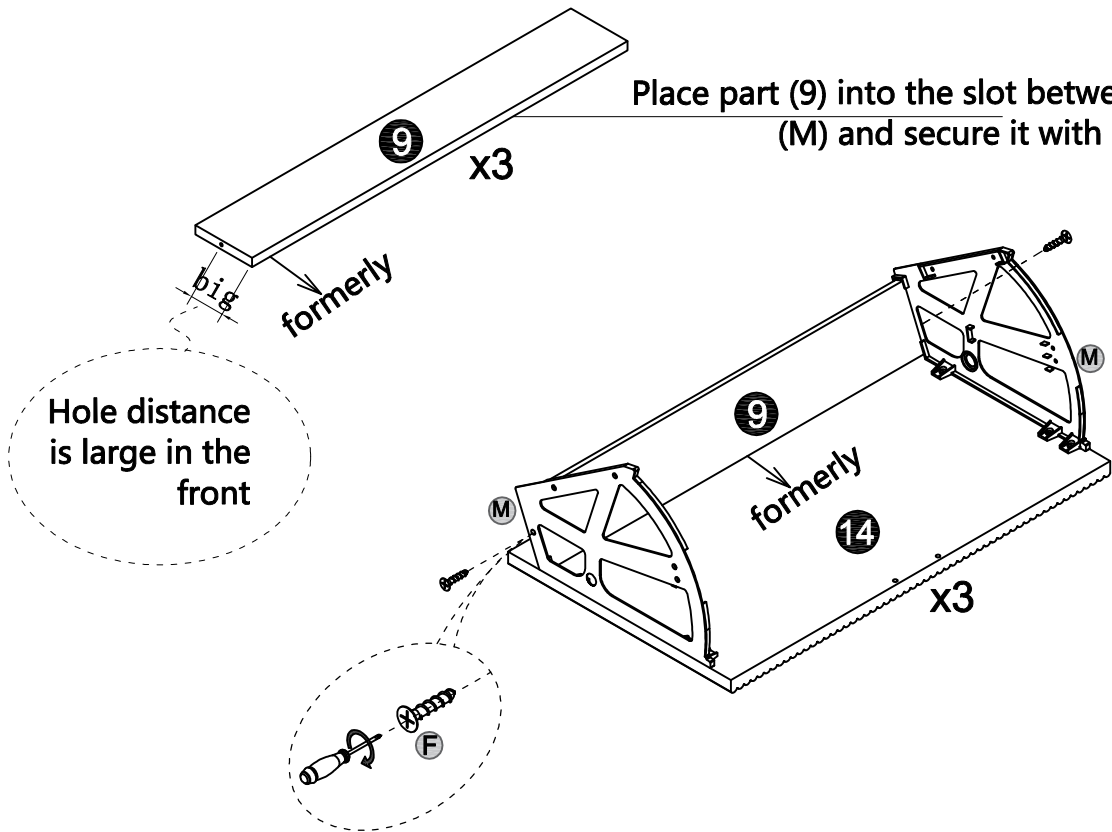
M

x1

x1
3PCS



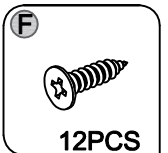
Step 11



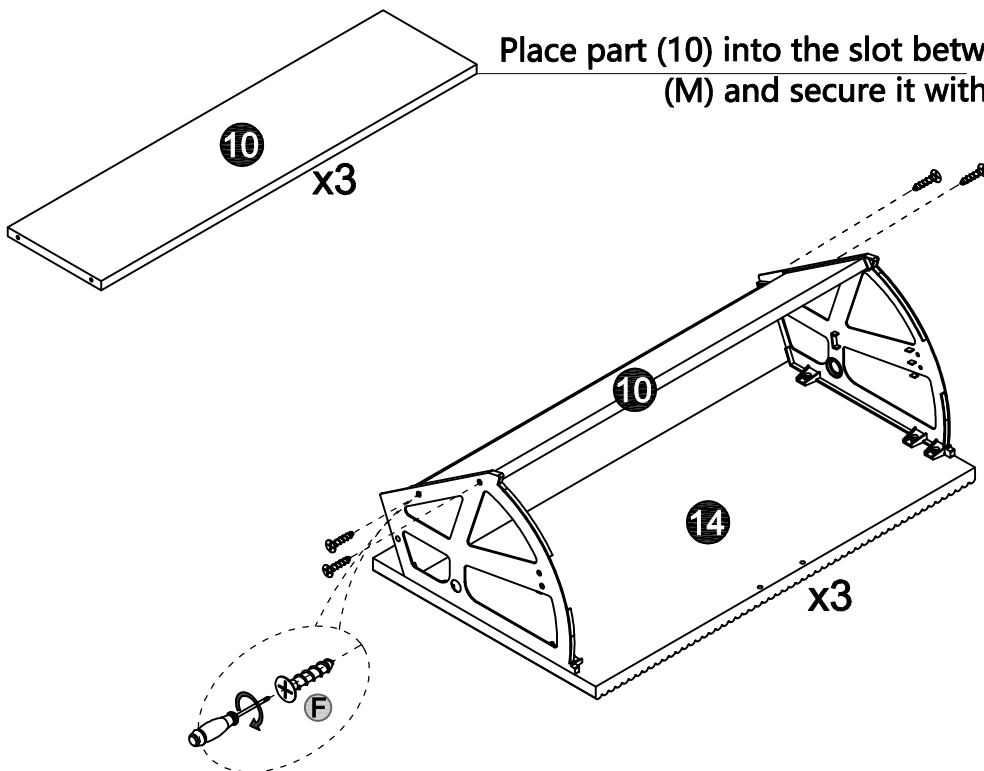
Place part (9) into the slot between (M) and secure it with (F).



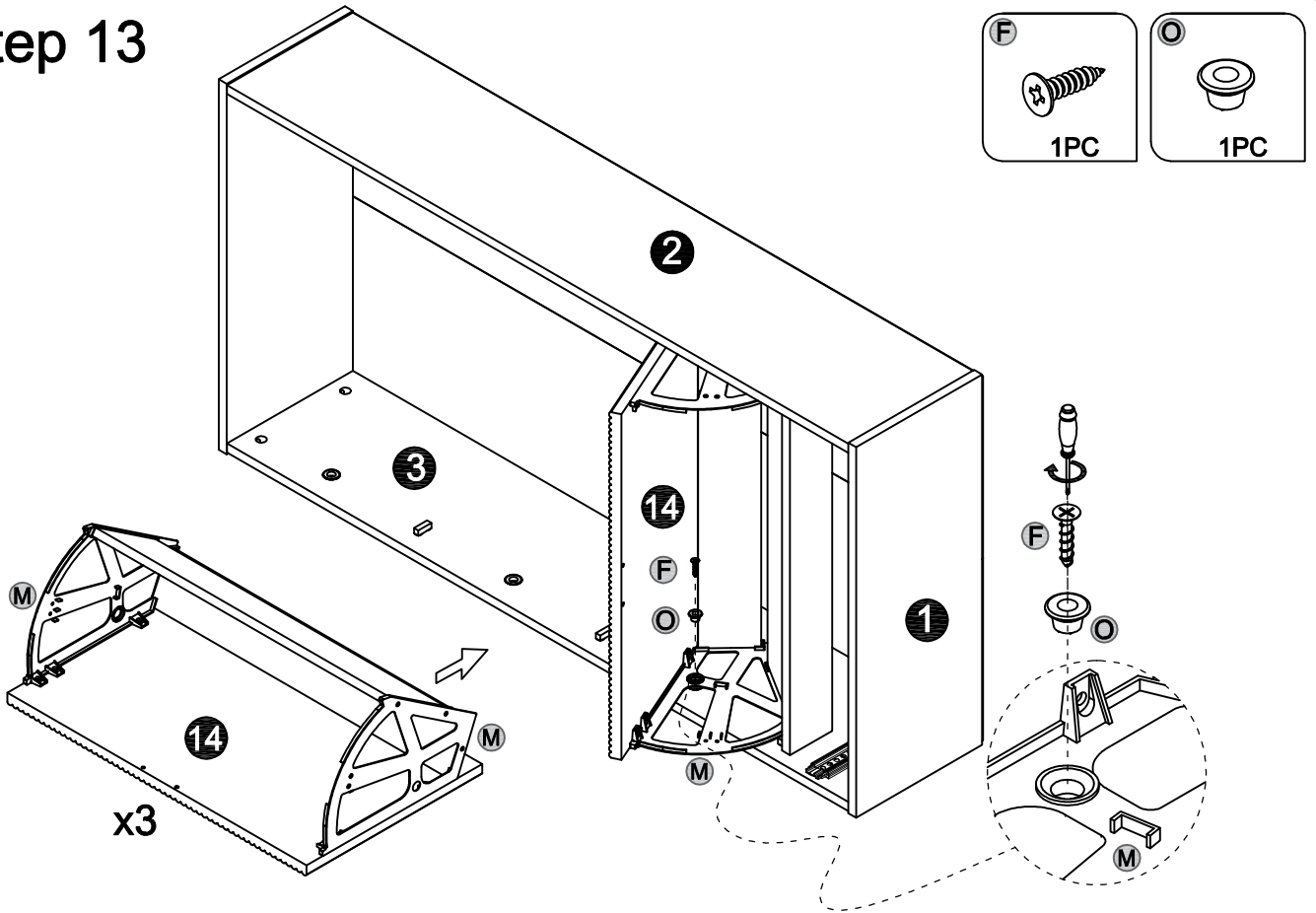
Step 12



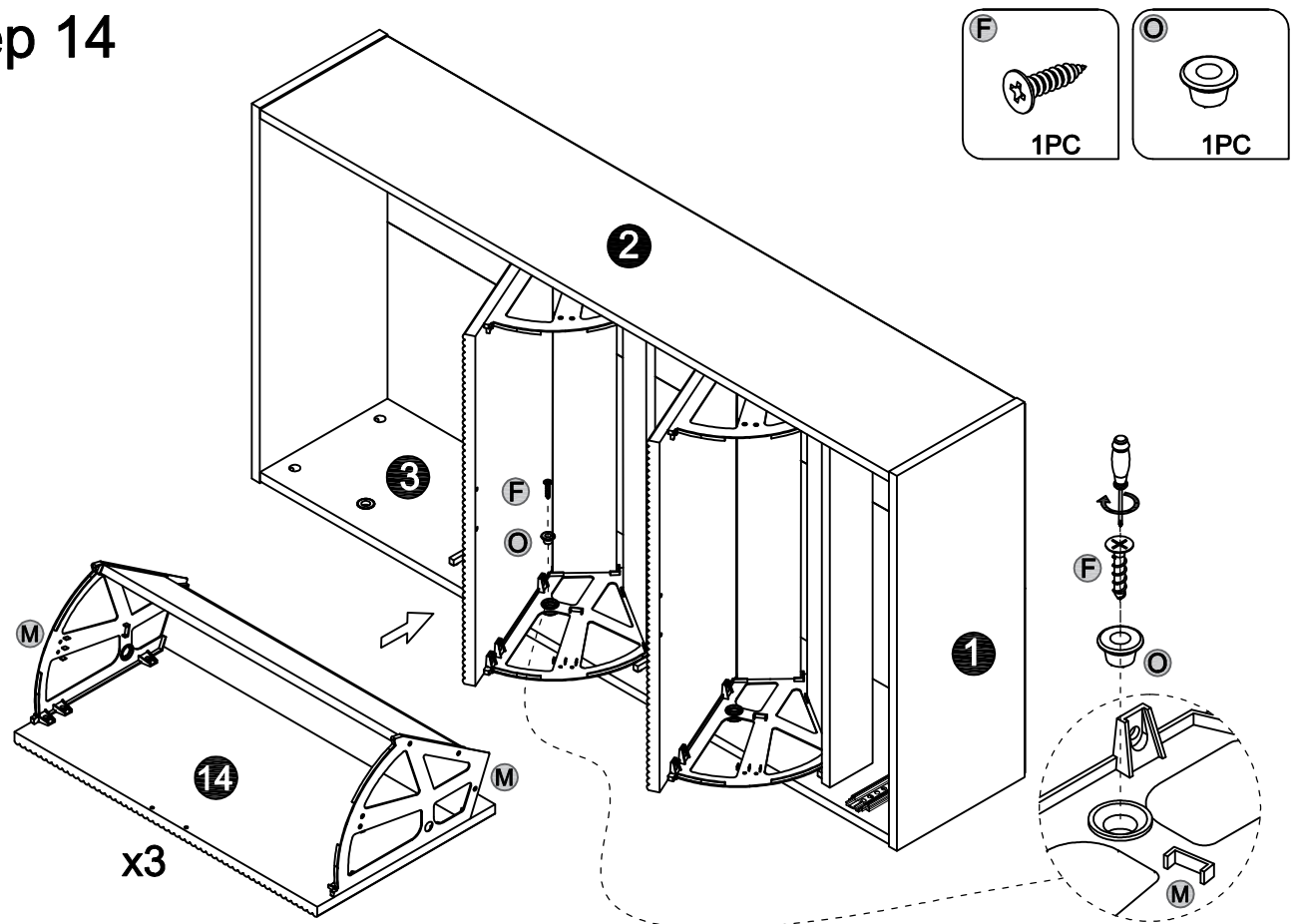
Place part (10) into the slot between (M) and secure it with (F).



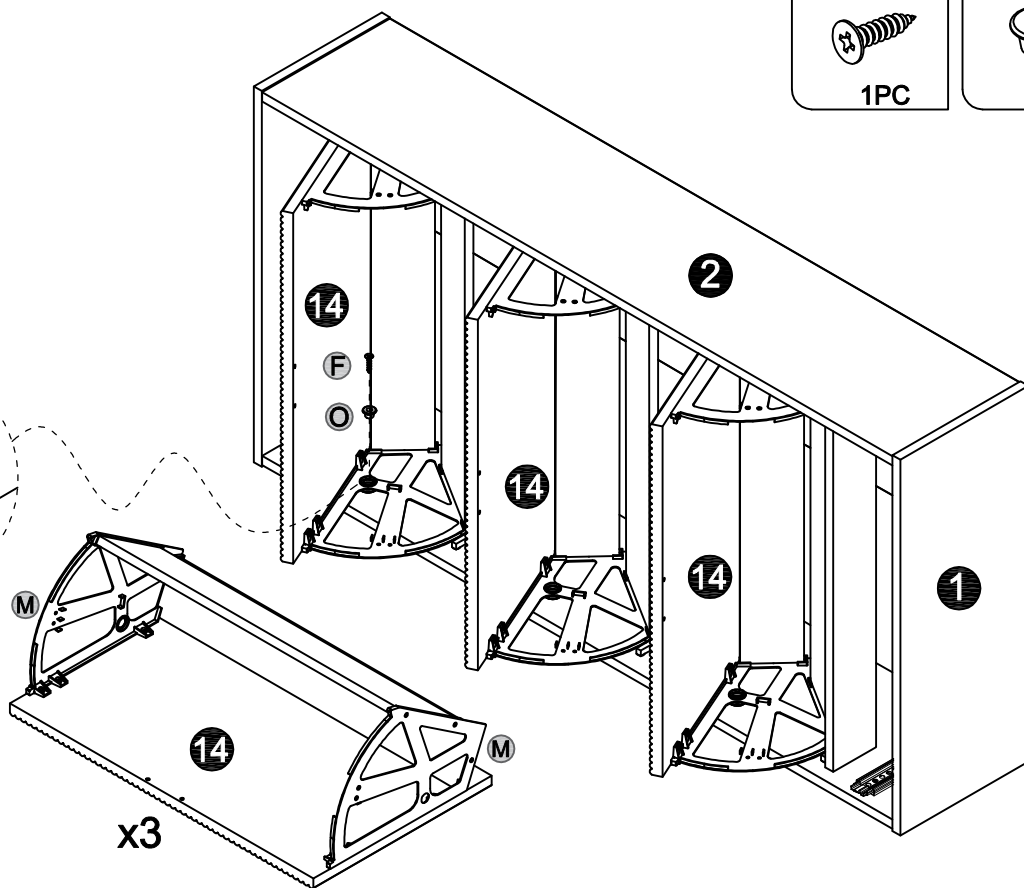
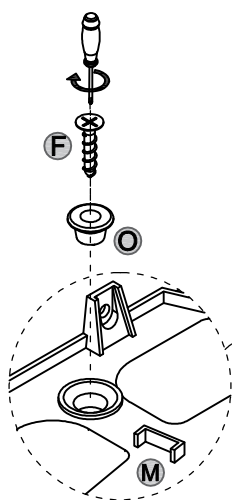
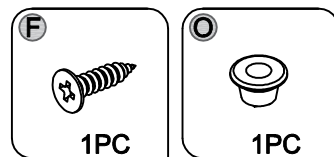
Step 13



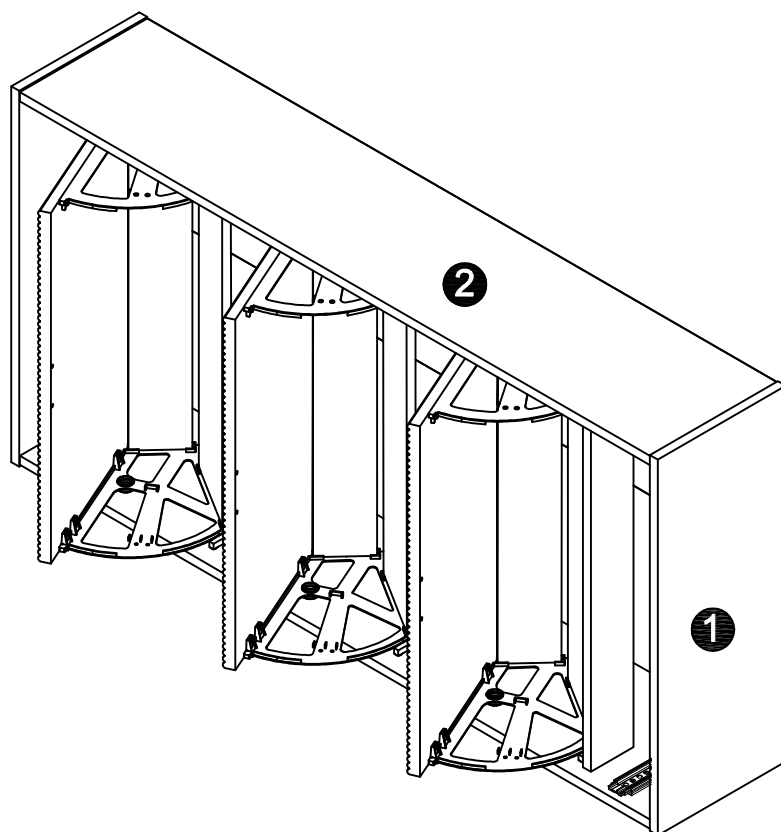
Step 14



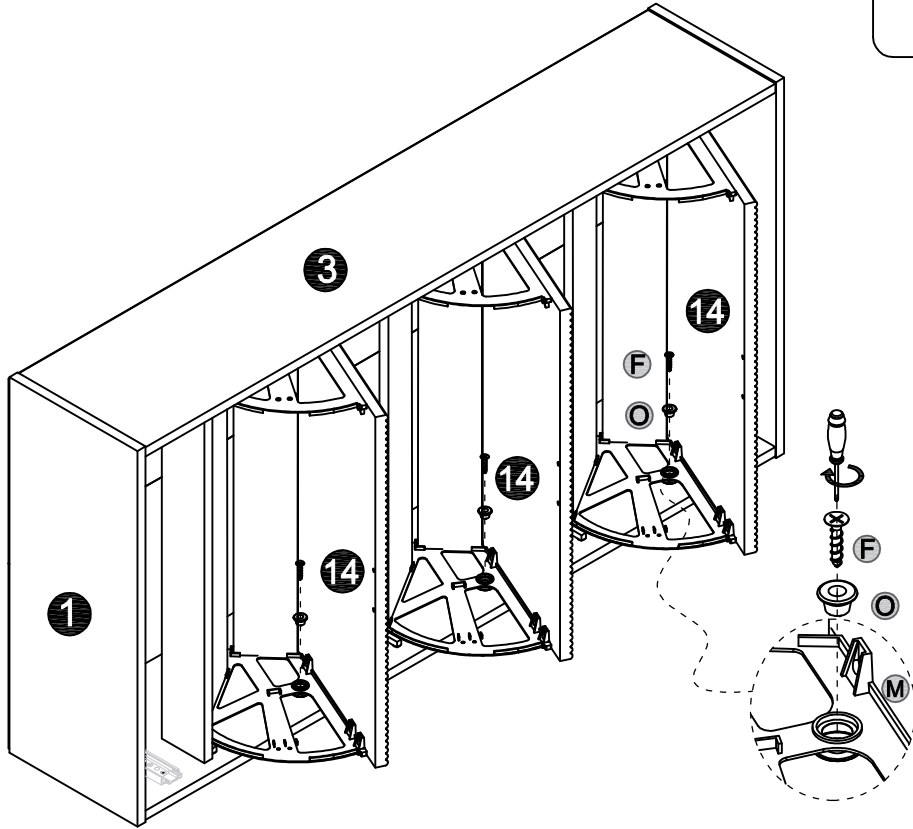
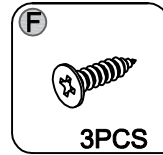
Step 15



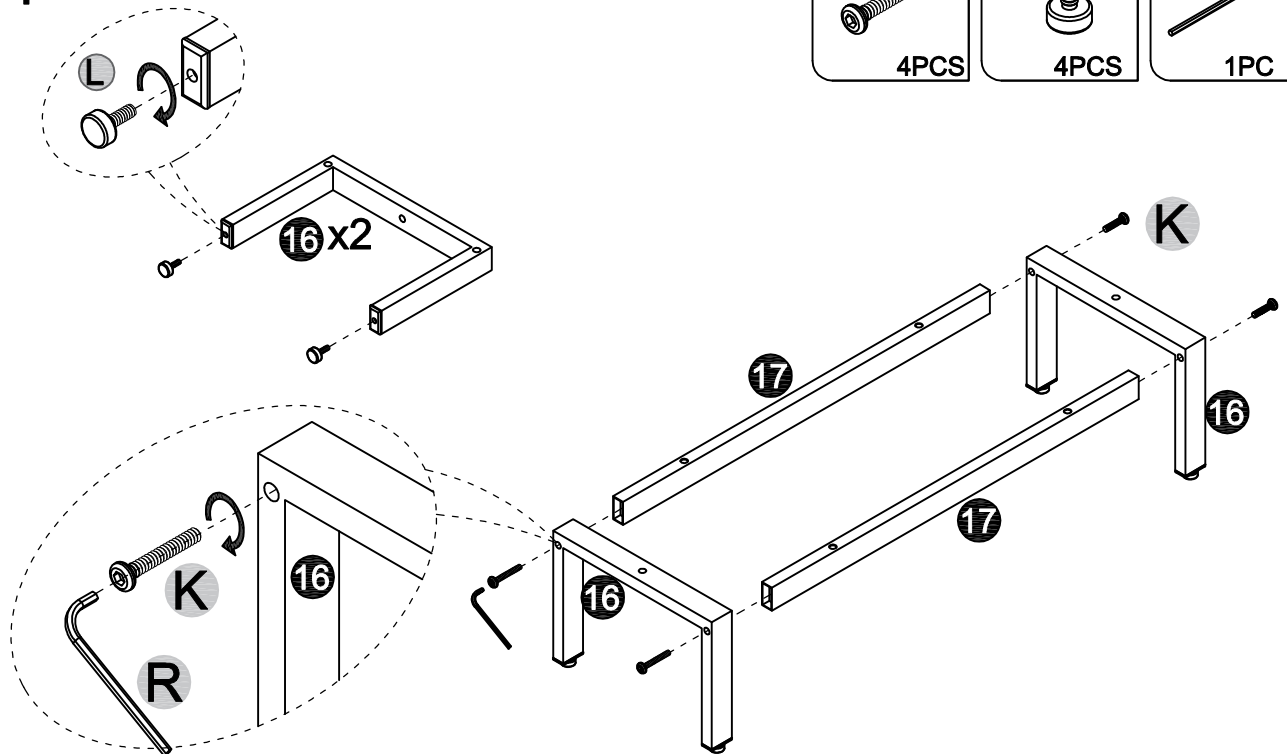
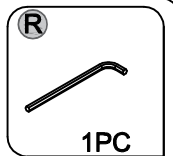
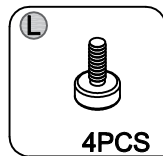
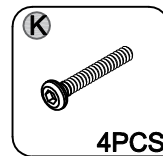
Step 16



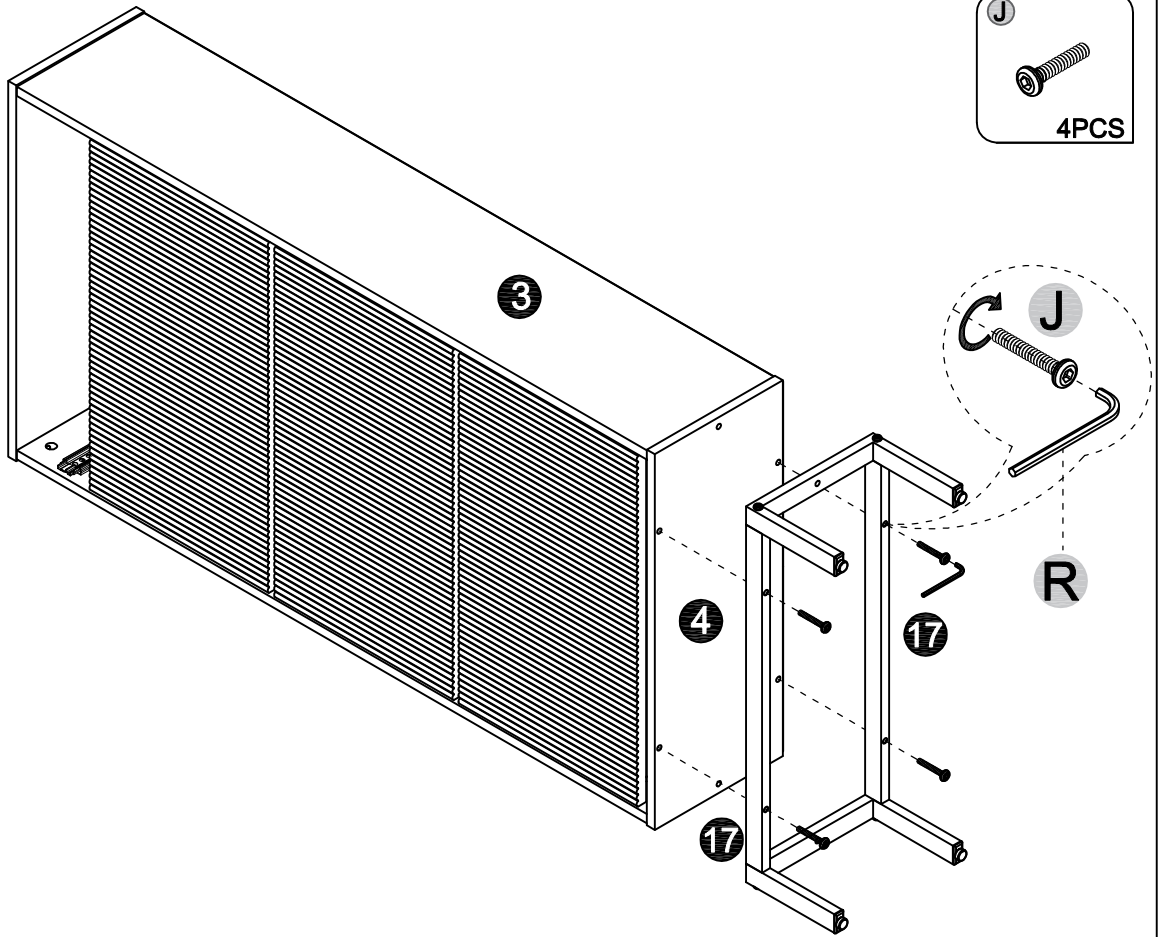
Step 17



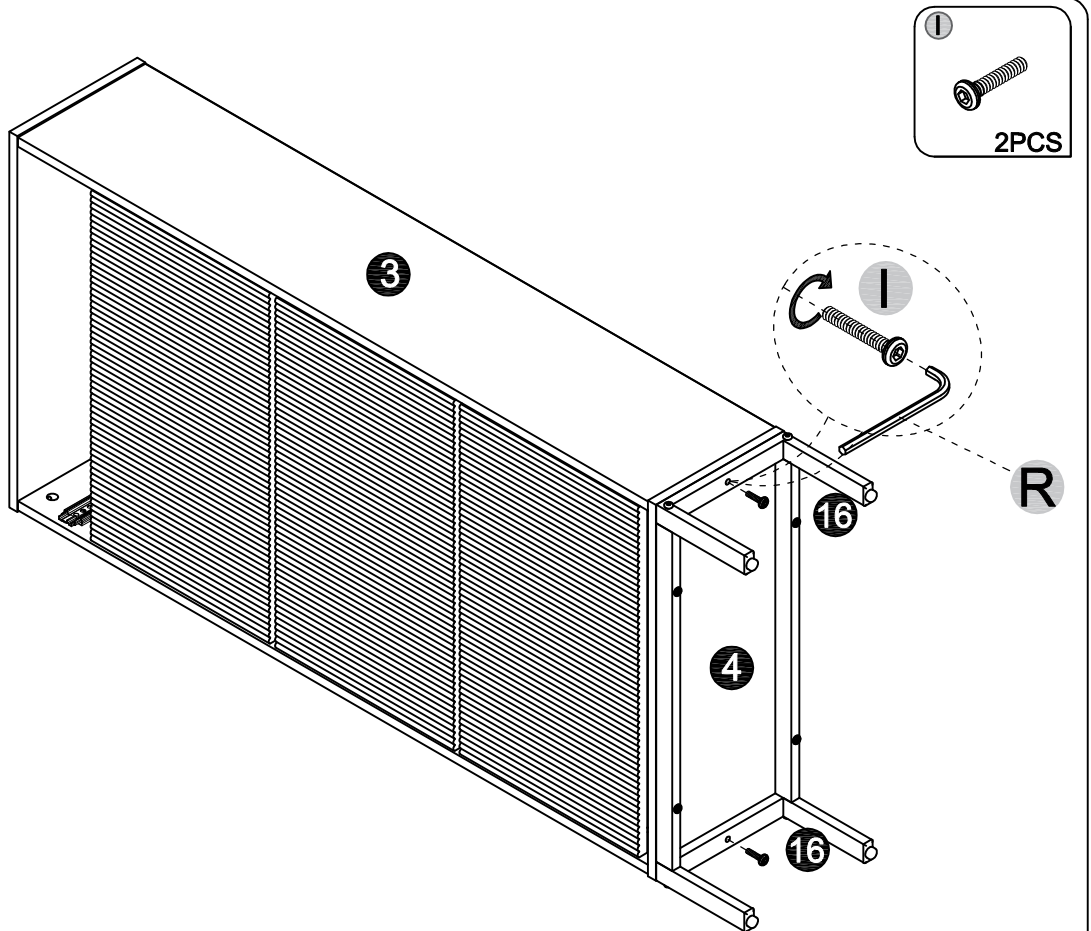
Step 18



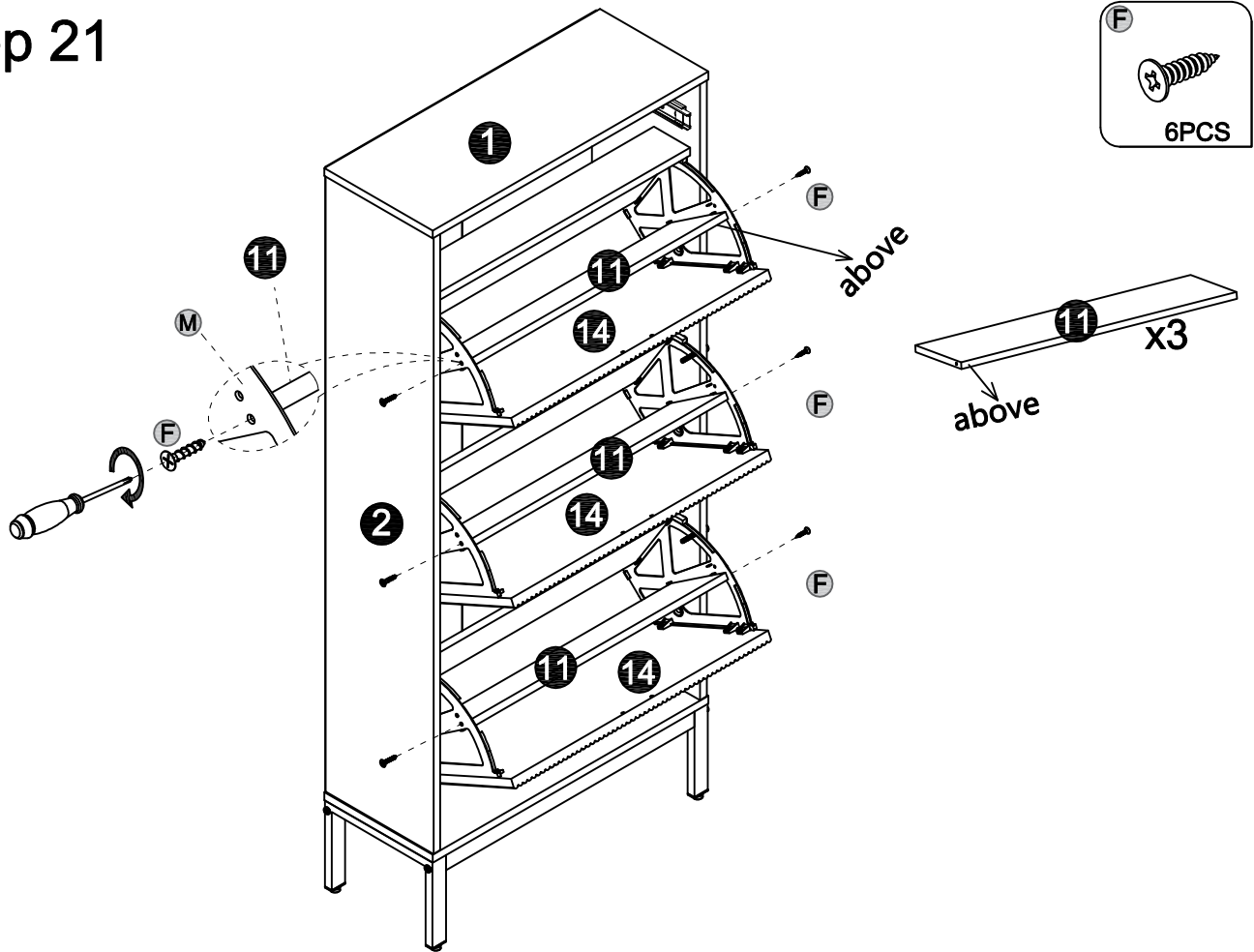
Step 19



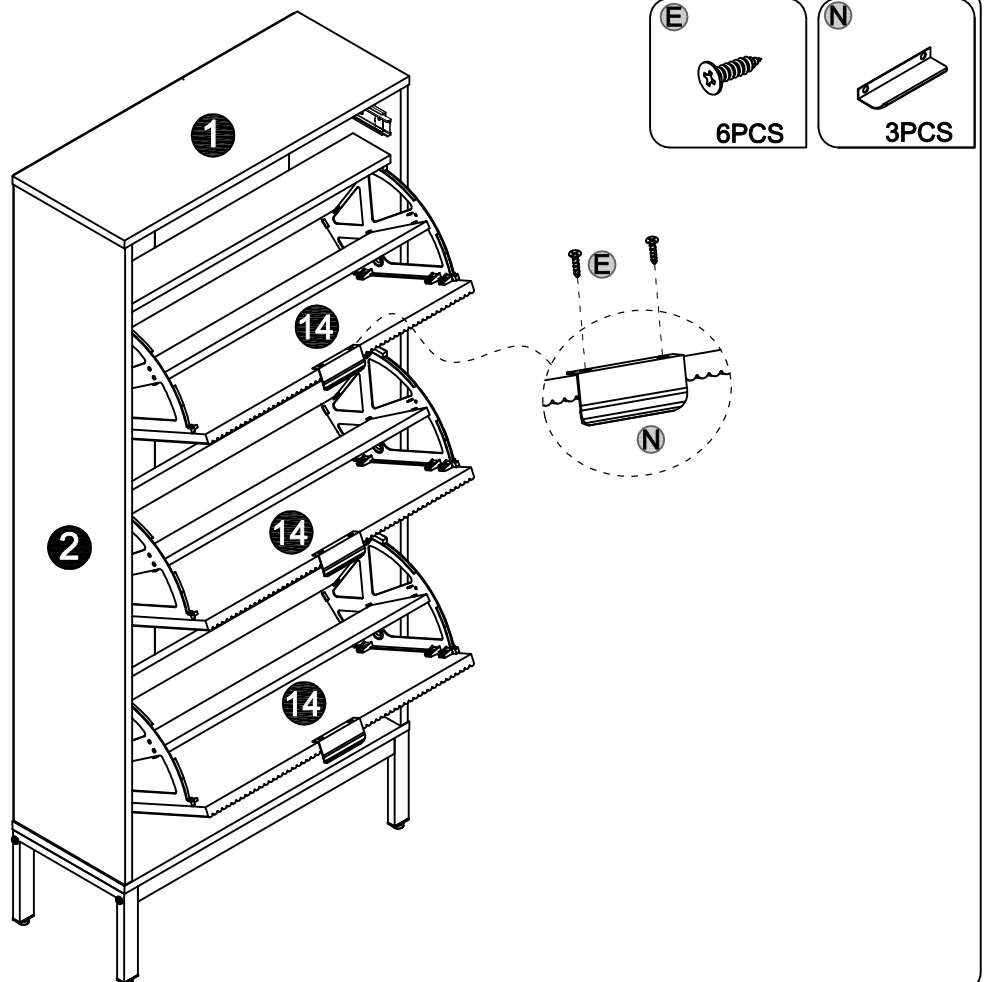
Step 20



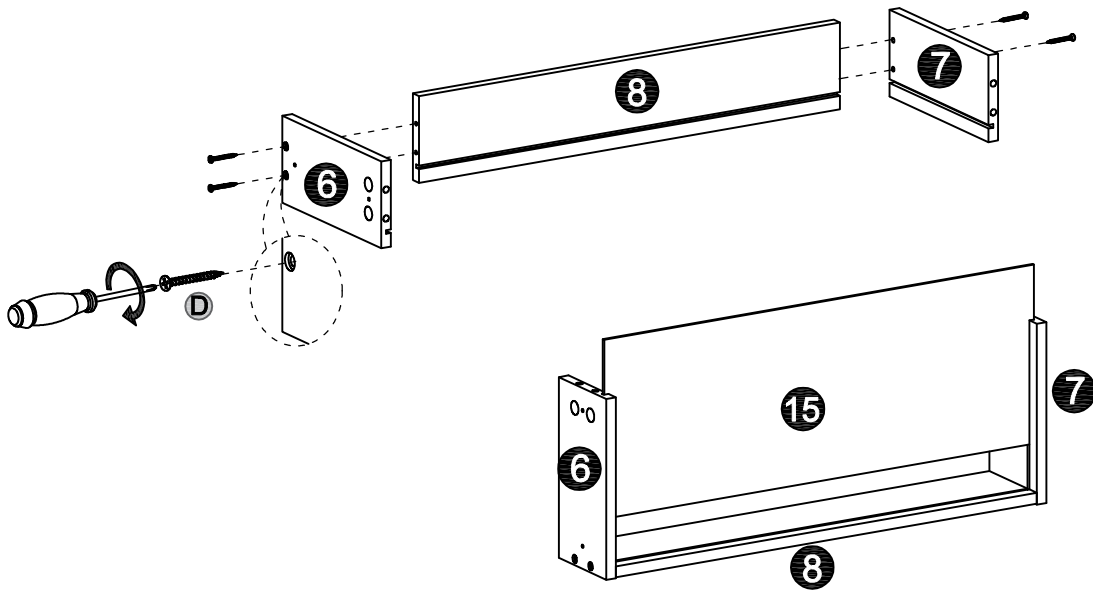
Step 21



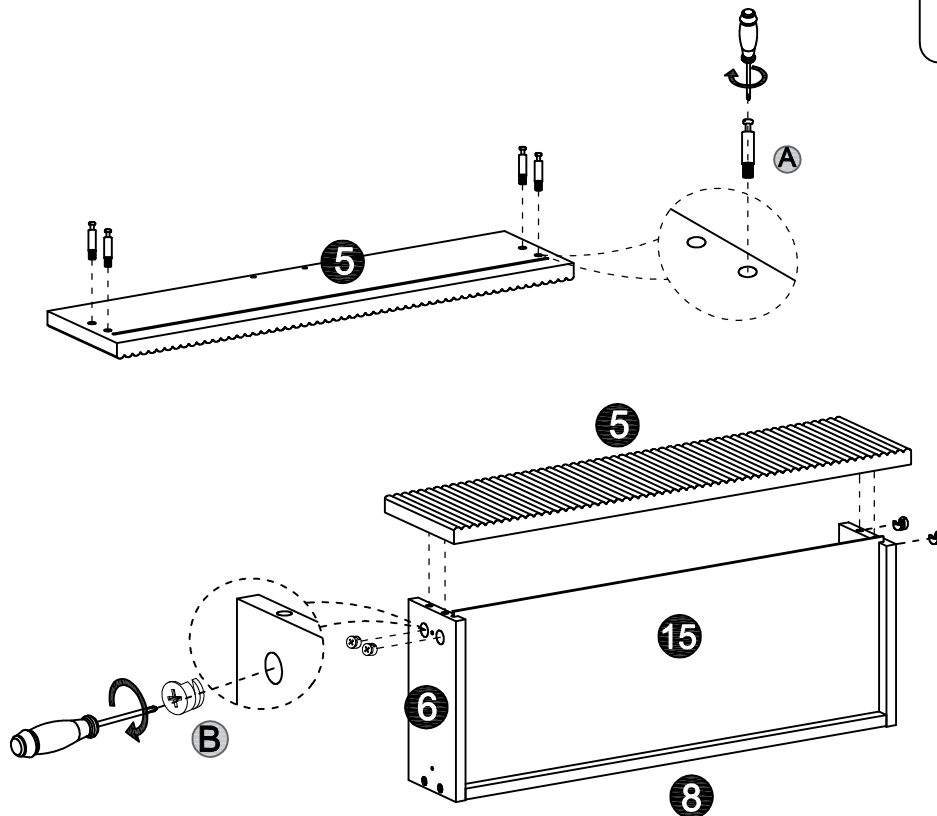
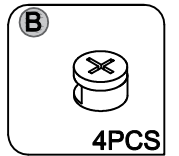
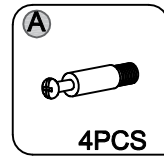
Step 22



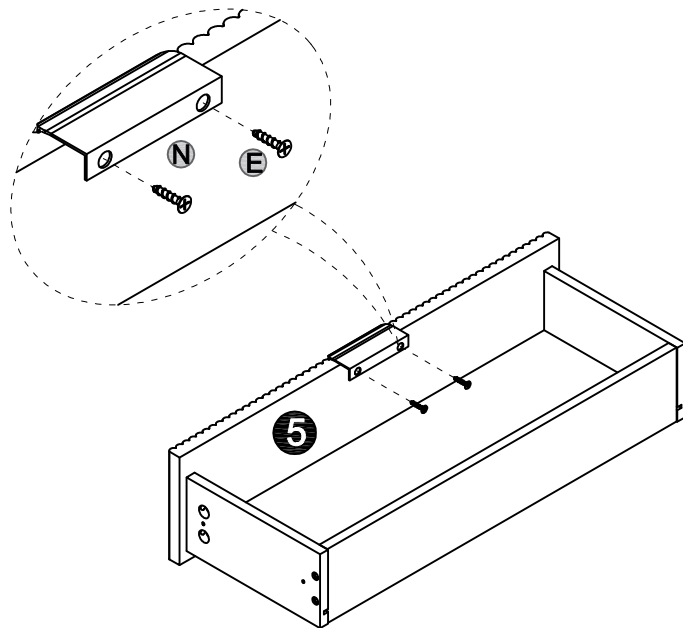
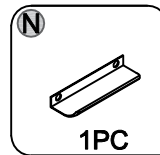
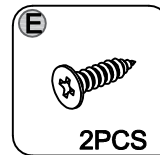
Step 23



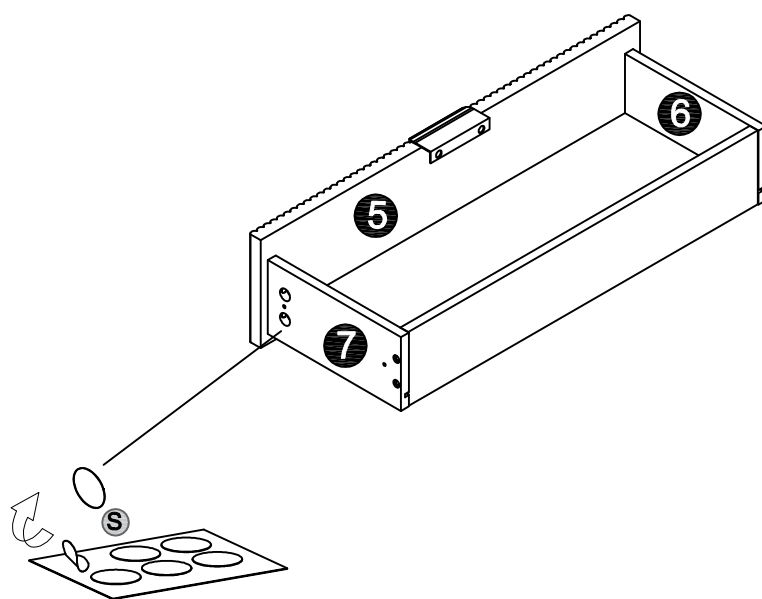
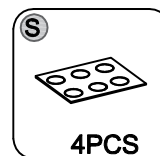
Step 24



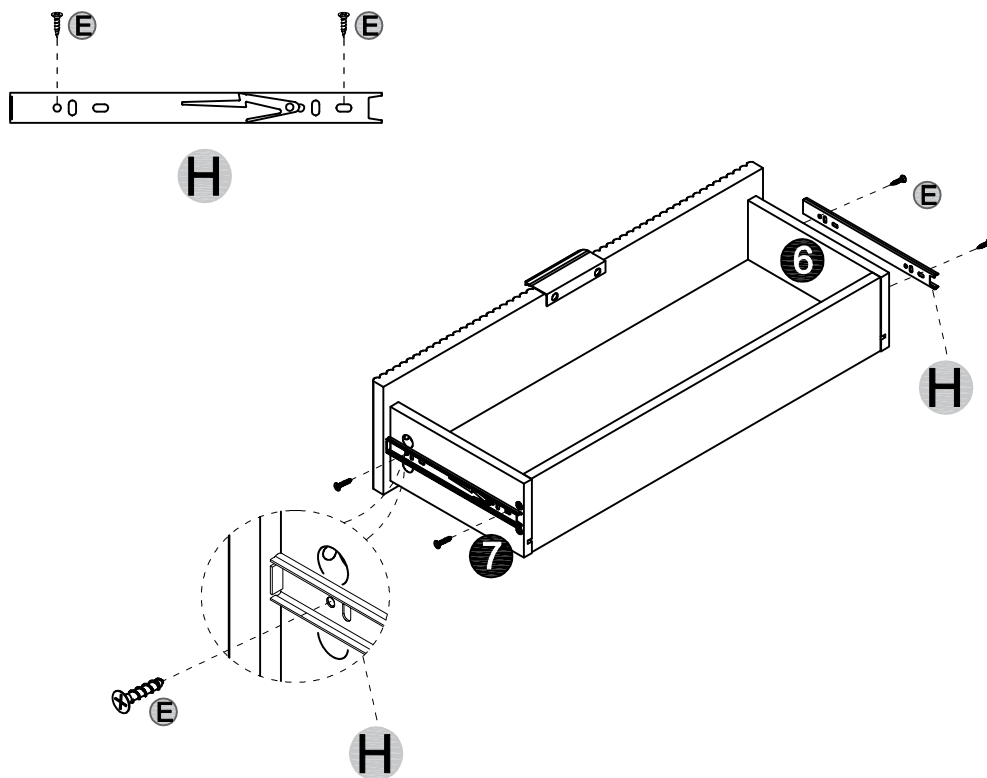
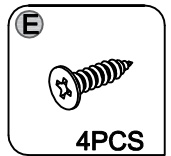
Step 25



Step 26



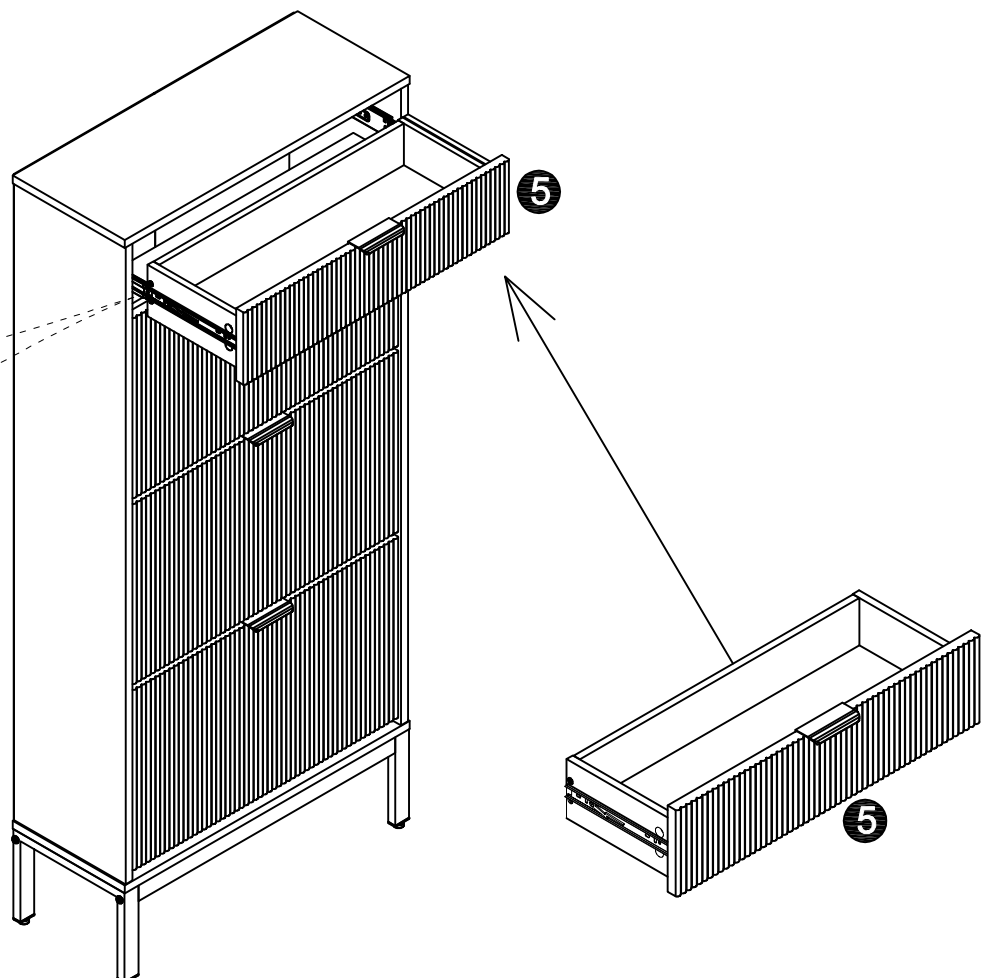
Step 27



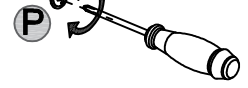
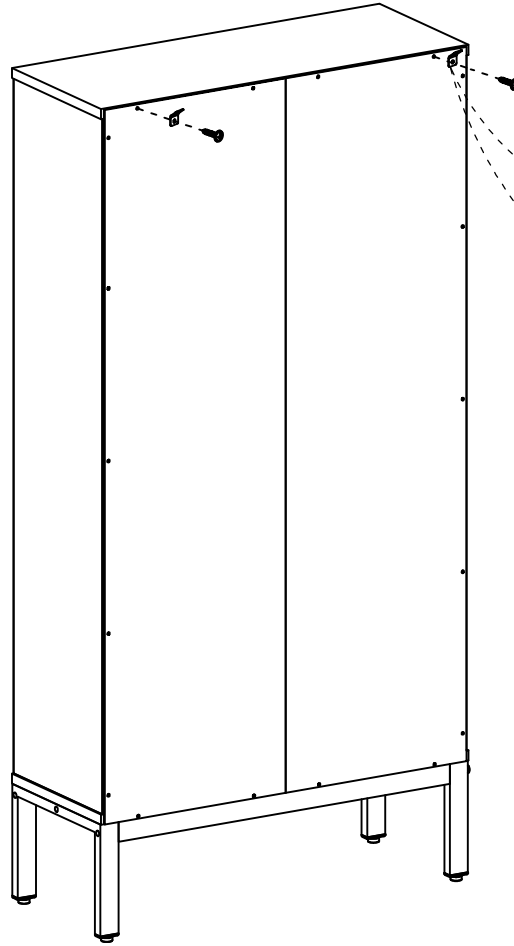
Step 28

H

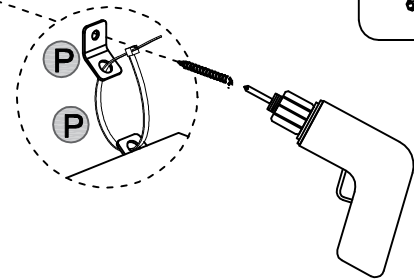
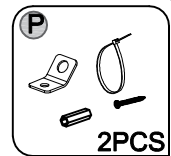
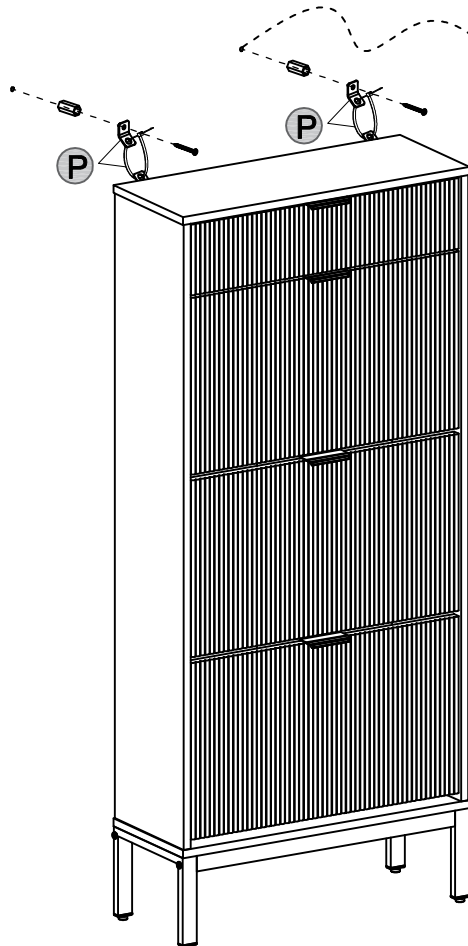
Align and insert the small left and right guides into the grooves of the large guide.



Step 29



Step 30



IMPORTANT SAFETY INFORMATION

Please carefully read the instructions and caution warnings below before assembling the product. Following this guide will ensure that you install, use and maintain the product properly.

- Please keep this installation and user manual/instructions for future reference in case you need to assemble the product.
- Do not assemble if you notice serious damage such as cracks or bends.
- During installation, please use work gloves for hand safety.
- Please assemble the unit on carpeted floor or the flat cardboard box to avoid scratching the surface or your floor while assembling on the floor.
- To assemble, please use the complimentary installation tools (Allen Wrench). Pay more attention to the direction of components at each steps.
- It is recommended that two people work together to assemble the product.
- Please do not tighten the screws up too much, just to 80% before you finish to make the installation go on successfully.

RETURN POLICY

We believe you will absolutely love your new product. But for some reason you want to return your item, please contact us within 30 days after receiving and ensure that the product which you want to return is in a good condition in the original box with all original certificates of purchase, manuals and accessories attached.

HOW TO MAINTAIN YOUR PRODUCT:

- Check the screws of the product are not loose from regular use.
- Do not use sharp instruments, rubbing alcohol, corrosive chemicals, or abrasive cleaners to clean the product.
- Do not keep the product in a damp environment for a long period of time. The damp environment may cause the iron components to rust and the plates to bulge and crack.

CAUTIONS!

How to find us?

Customer Service

Email: support@idealhouse.vip

Limited Liability & Warning

No Unauthorized Modifications/Repairs: Do not modify or attempt to repair this product unless you are an authorized technician. Unauthorized actions may create hazards and void all warranties

Misuse & Non-Compliance: We are not liable for any injury, damage, or loss resulting from:

- (a) misuse, abuse, neglect, or improper installation;
- (b) failure to follow instructions or safety precautions;
- (c) use of unauthorized parts/accessories;
- (d) unauthorized modifications/repairs;
- (e) accidents, natural disasters, or external causes.

If you doubt any step of installation or operation, stop using the product and contact authorized service or the customer support.

LIMITACIÓN DE RESPONSABILIDAD Y ADVERTENCIA

Modificaciones o Reparaciones No Autorizadas: NO modifique ni intente reparar este producto a menos que sea un técnico autorizado. Las acciones no autorizadas pueden generar riesgos y anularán todas las garantías.

Uso Indebido e Incumplimiento: No asumimos responsabilidad alguna por lesiones, daños o pérdidas que resulten de:

- (a) uso indebido, abuso, negligencia o instalación incorrecta;
- (b) incumplimiento de las instrucciones o precauciones de seguridad;
- (c) uso de piezas o accesorios no autorizados;
- (d) modificaciones o reparaciones no autorizadas;
- (e) accidentes, desastres naturales o causas externas.

Si tiene dudas sobre algún paso de la instalación o el funcionamiento, deje de usar el producto y póngase en contacto con el servicio técnico autorizado o con atención al cliente.

GARVEE
support@garvee.com