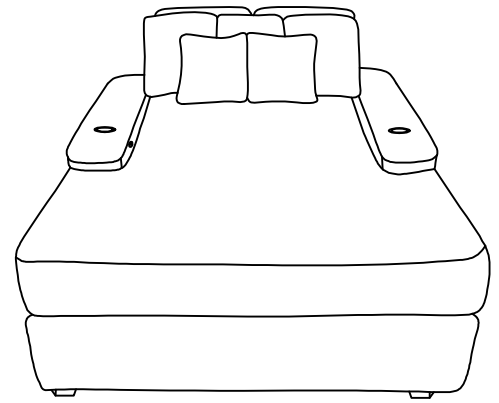
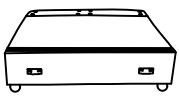


LRH4176



PARTS

#1 x 1pc



Seat Frame

#2 x 1pc



Left Arm

#3 x 1pc



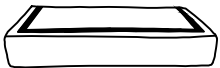
Right Arm

#4 x 2pcs



Back Rest Frame

#5 x 1pc



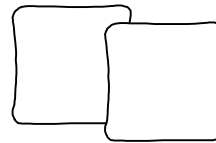
Ottoman

#6 x 1pc



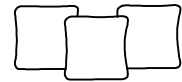
Seat Cushion

#7 x 2pcs



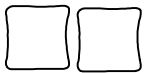
Back Cushion

#8 x 3pcs



Big Pillow

#9 x 2pcs



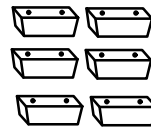
Small Pillow

#10 x 2pcs



Feet

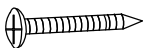
#11 x 6pcs



Leg

HARDWARE

#A x 14pcs



Screw M4x45mm

#B x 8pcs



Threaded Stud 5/16" x 4"

#C x 8pcs



Lock Washer 5/16"

#D x 8pcs



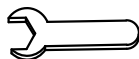
Flat Washer 5/16"x22mm

#E x 8pc



Hex Nut 5/16"

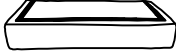
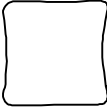
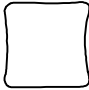

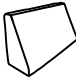

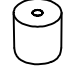
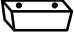

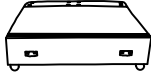
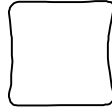




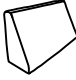




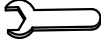


#F x 1pc



Wrench

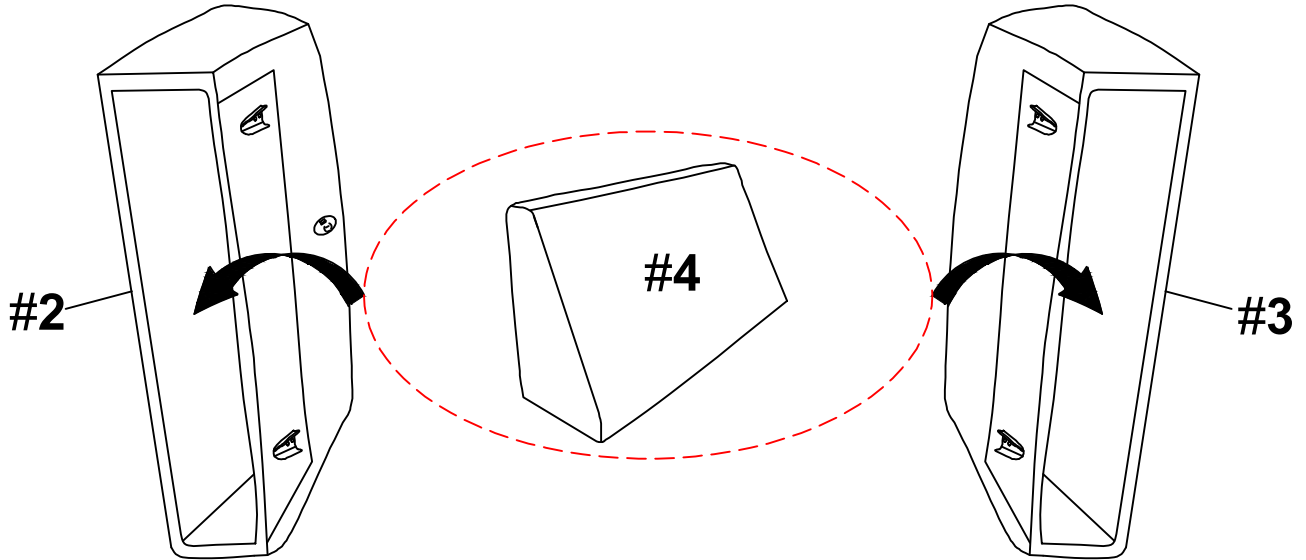
ASSEMBLY INSTRUCTIONS

LRH4176 - is packed in 2 case

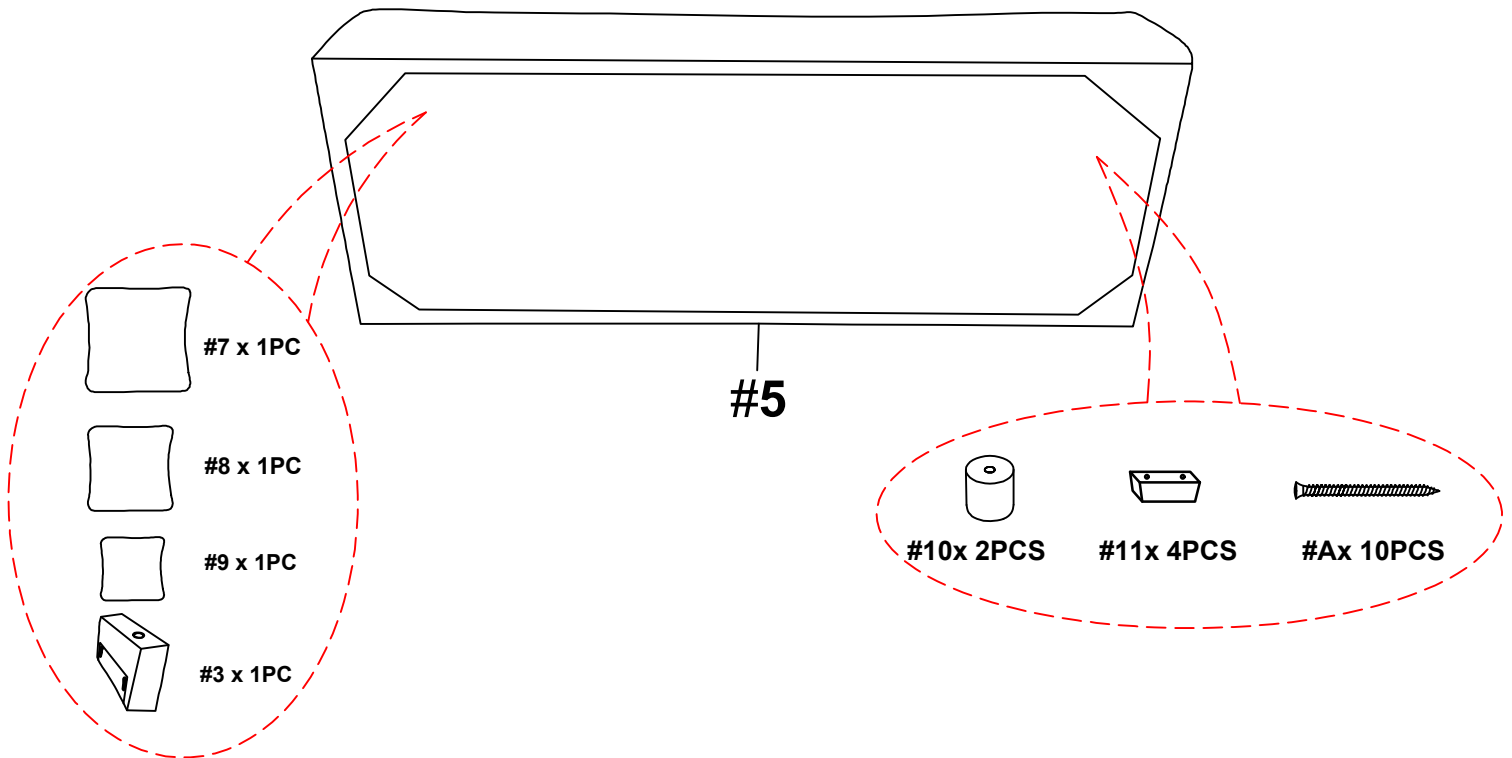
Carton#	Desc#	Part#	Hardware#
1-RO	Ottoman	#5	
	Back Cushion	#7	
	Big Pillow	#8	
	Right Arm	#3	
	Back Rest Frame	#4	
	Small Pillow	#9	
 #10 x2PCS  #11 x4PCS  #A x10PCS			
2-LC	Seat Frame	#1	
	Back Cushion	#7	
	Big Pillow	#8	
	Small Pillow	#9	
	Left Arm	#2	
	Seat Cushion	#6	
	Back Rest Frame	#4	
	 #Bx 8PCS  #Cx 8PCS  #Dx 8PCS  #Ex 8PCS  #Fx 1PC  #Ax 4PCS  #11x 2PCS		

ASSEMBLY INSTRUCTIONS

STEP 1: Pull out the #4 from #2 and #3 frame

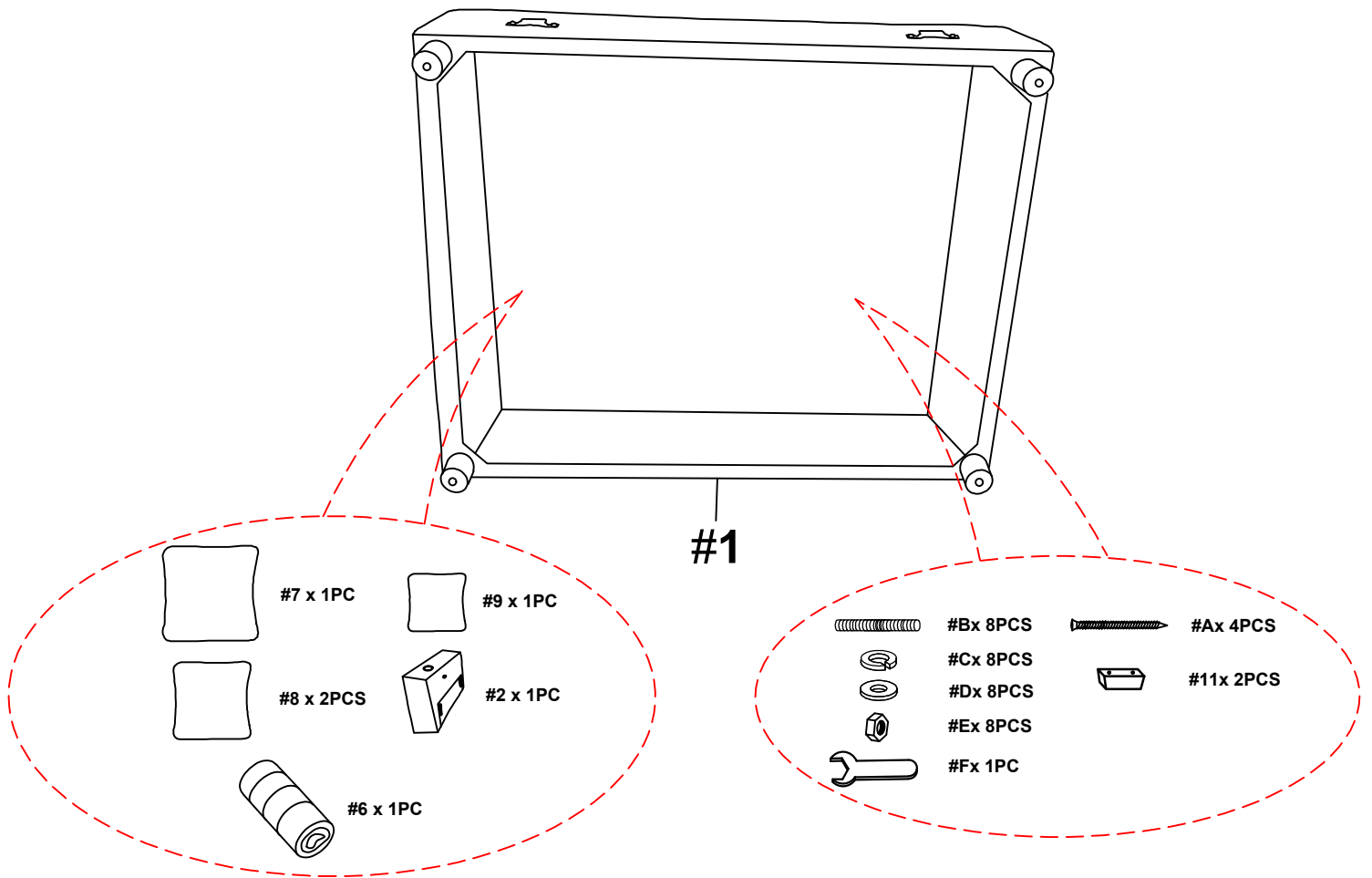


STEP 2:

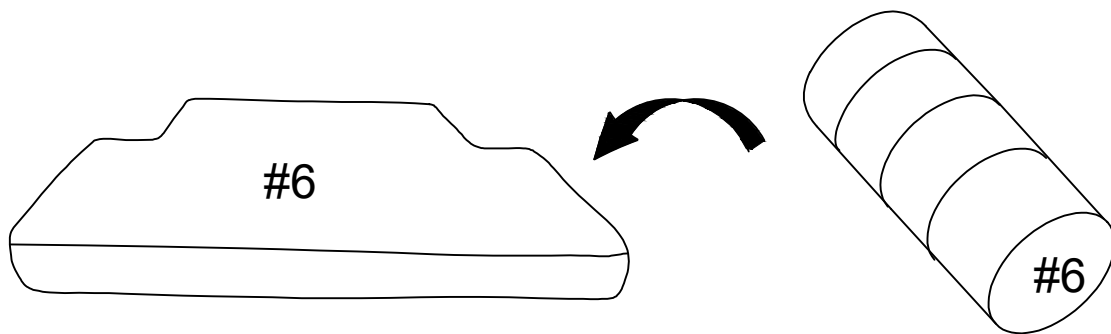


ASSEMBLY INSTRUCTIONS

STEP 3

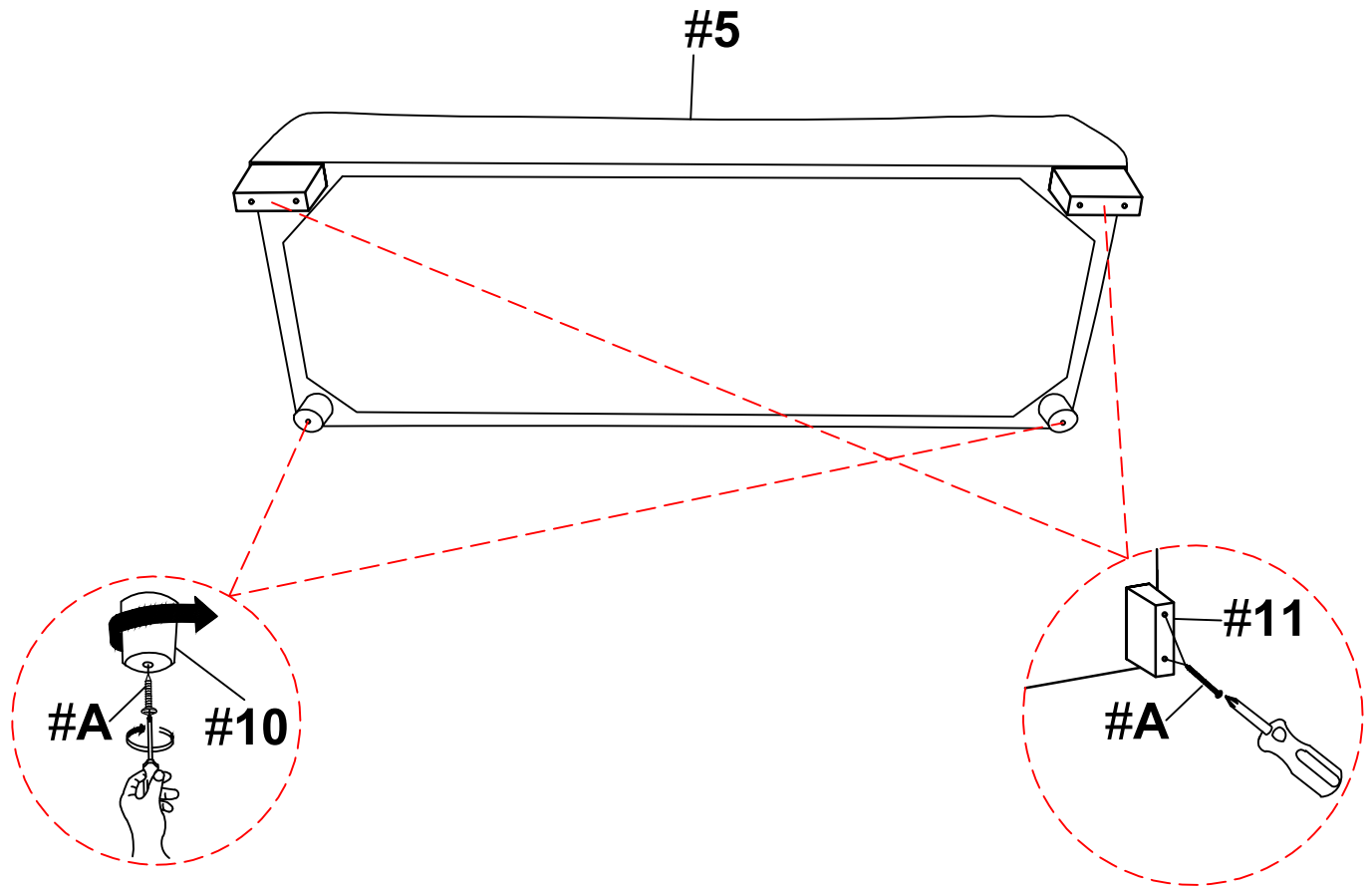


STEP 4: Open the wrapping, the seat cushion will be stretched out completely after 24 hours.

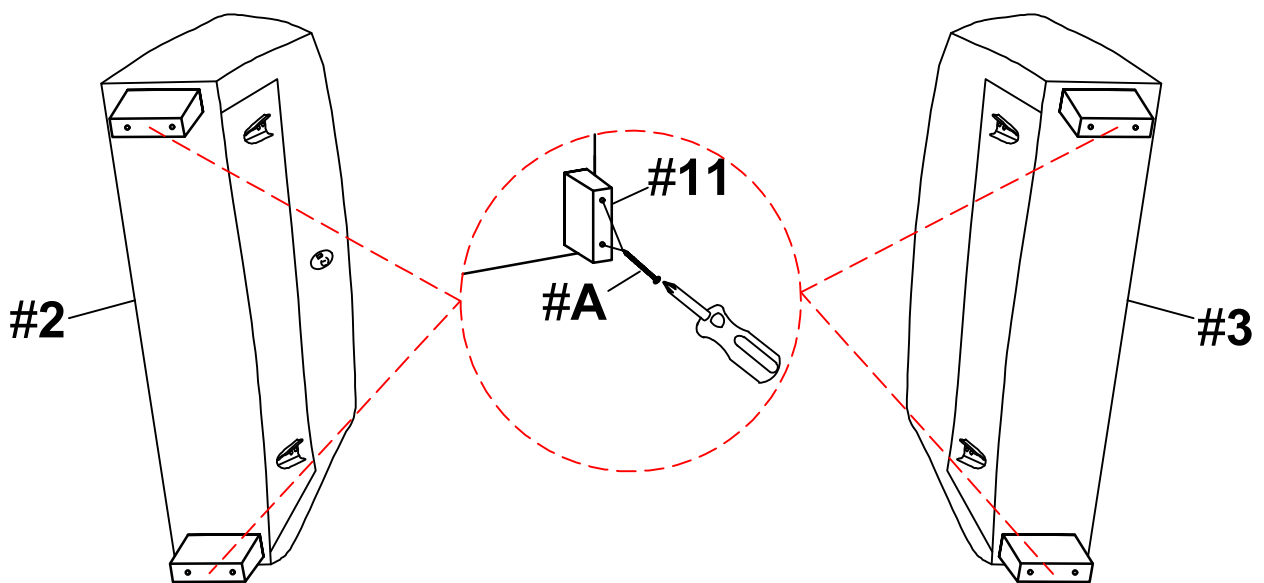


ASSEMBLY INSTRUCTIONS

STEP 5:

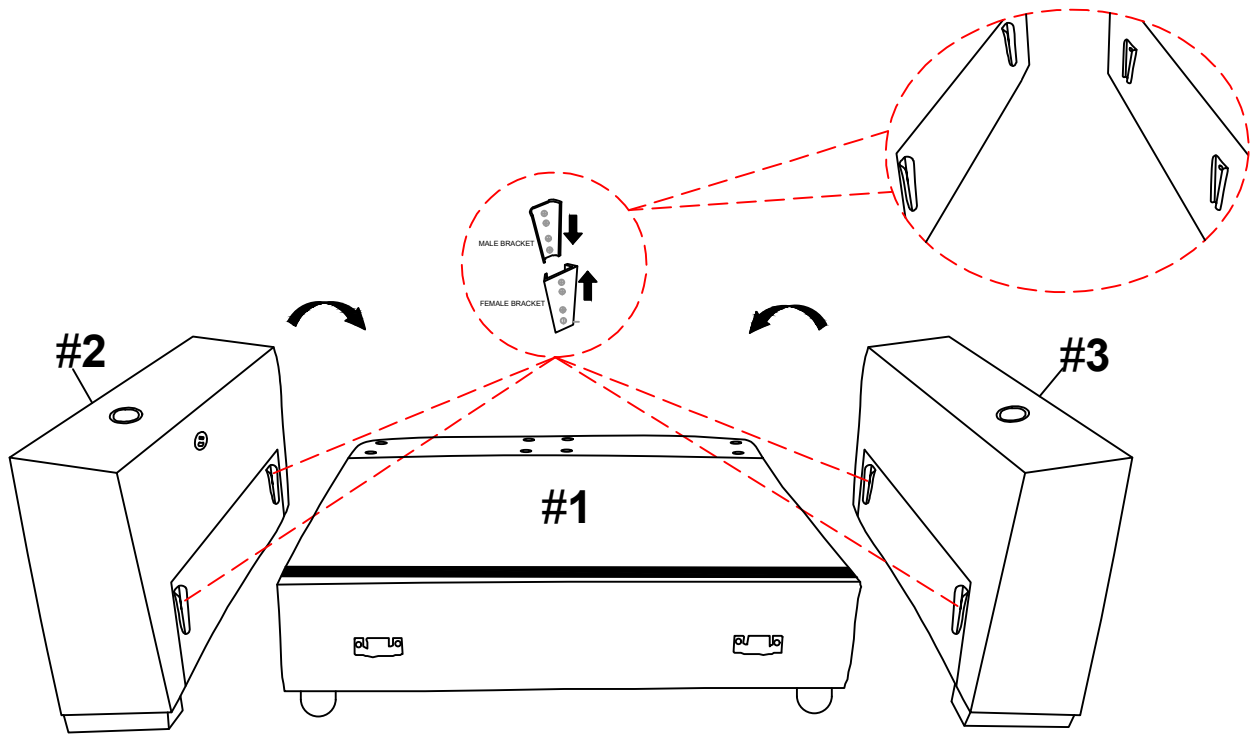


STEP 6:

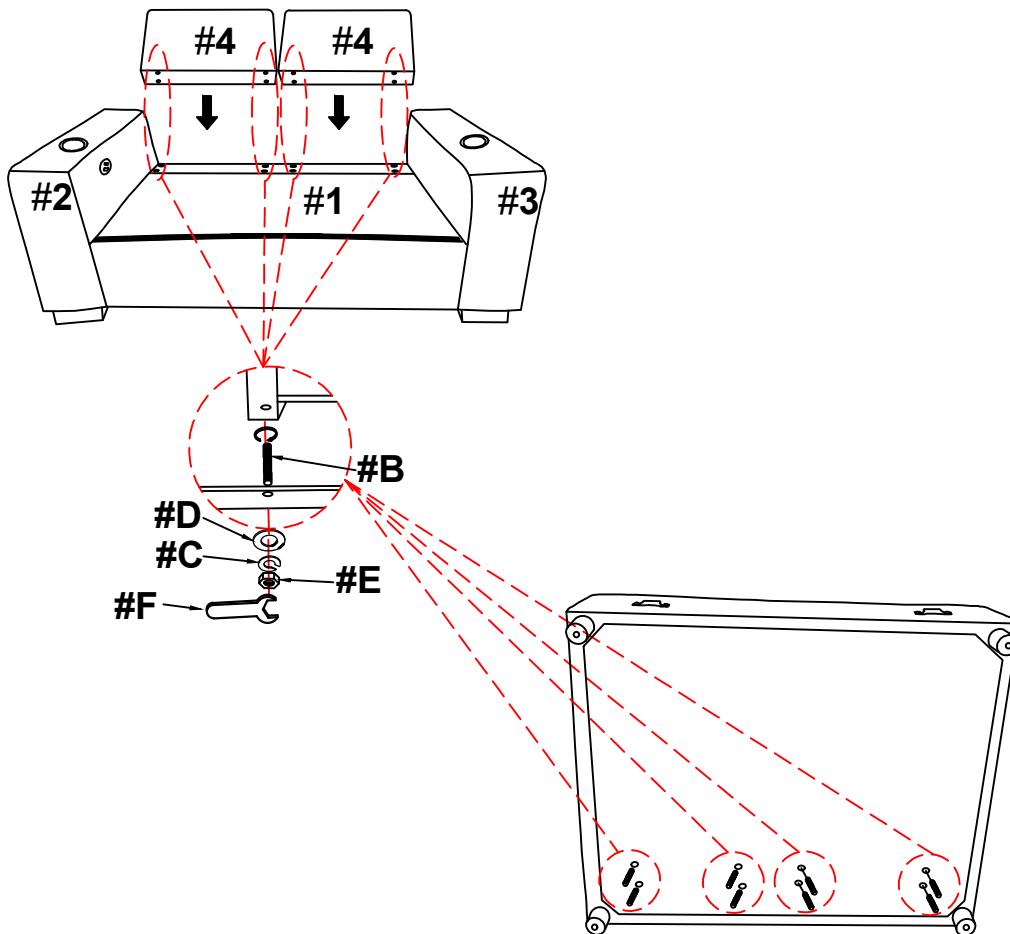


ASSEMBLY INSTRUCTIONS

STEP 7:

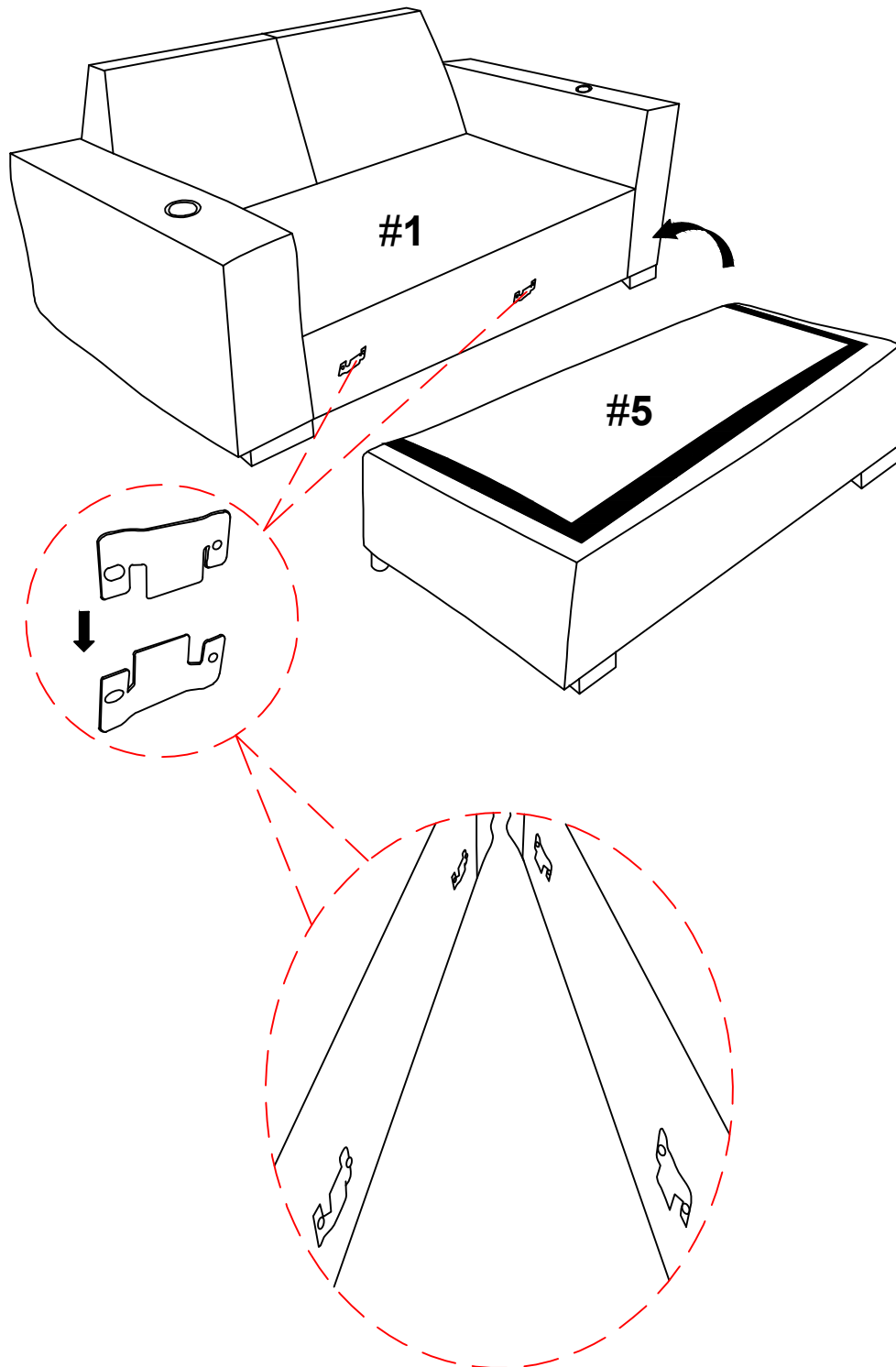


STEP 8:



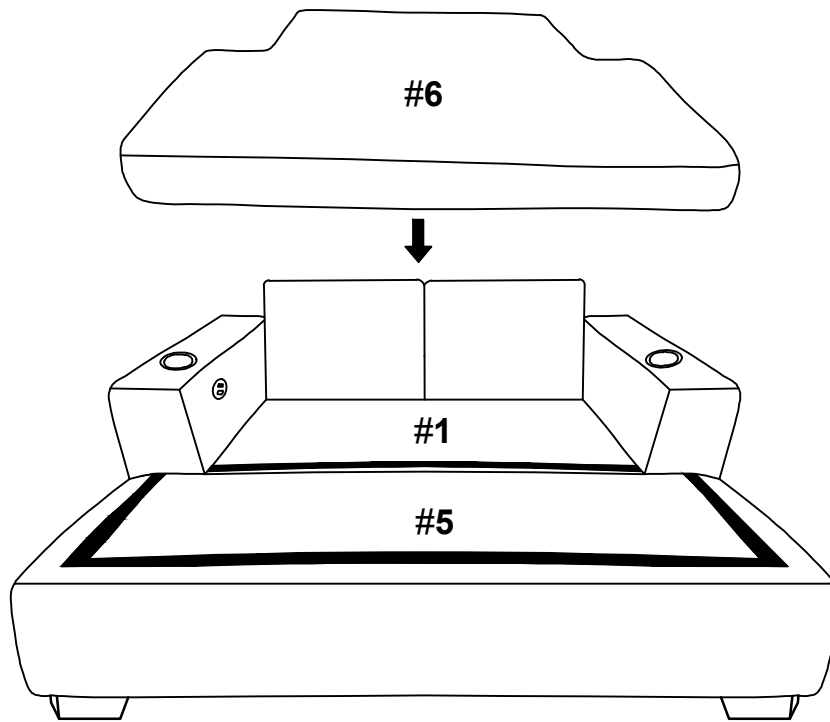
ASSEMBLY INSTRUCTIONS

STEP 9:

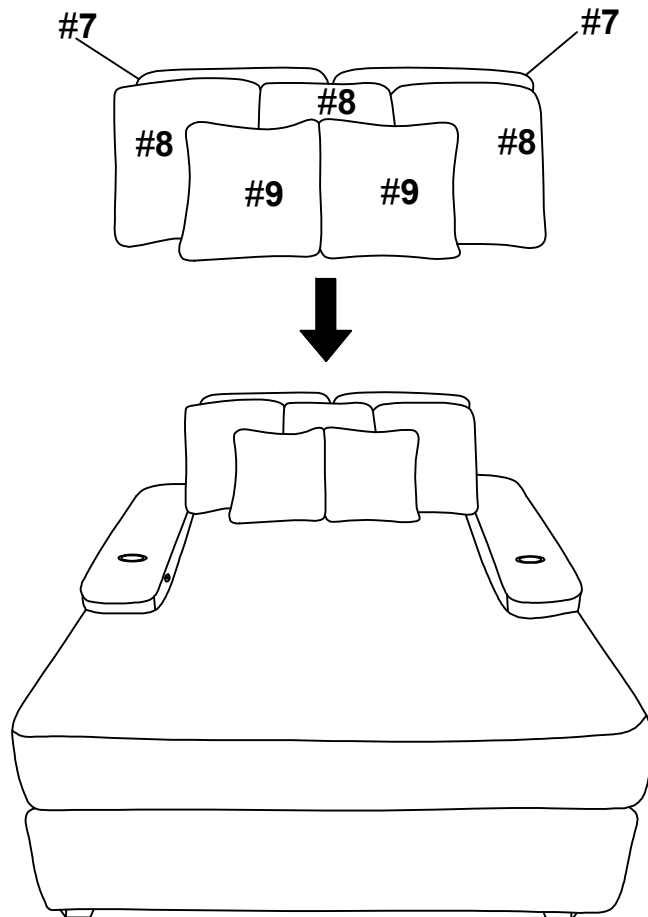


ASSEMBLY INSTRUCTIONS

STEP 10:



STEP 11:



ASSEMBLY INSTRUCTIONS

STEP 12: Use hands to make fabric in tidy

