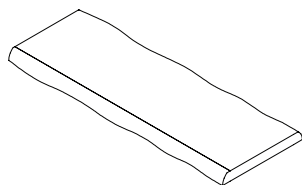


ASSEMBLY INSTRUCTIONS

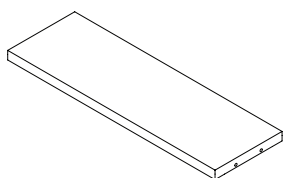
SOFA TABLE

A Top Panel



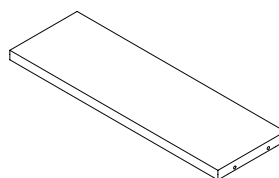
1PC

B Shelf Panel



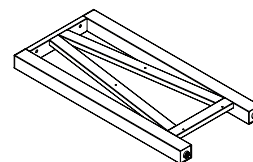
1PC

C Bottom Panel



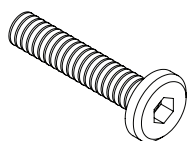
1PC

D Leg



2PCS

E Bolt
1/4" x 1-1/4" x Ø1/2"



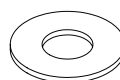
14PCS

F Spring Washer
Ø2/5" x Ø1/4"



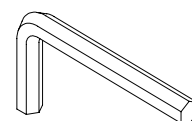
14PCS

G Flat Washer
Ø3/4" x Ø1/4"



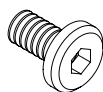
14PCS

H Allen Wrench
4mm



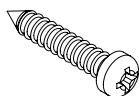
1PC

I Bolt
1/4" x 1/2" x Ø1/2"
(Anti-Tip Kit)



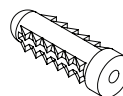
2PCS

J Wood Screw
4 x 25 x 9mm
(Anti-Tip Kit)



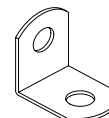
2PCS

K Plastic Anchor
(Anti-Tip Kit)



2PCS

L Metal Bracket
22 x 22 x 17mm
(Anti-Tip Kit)

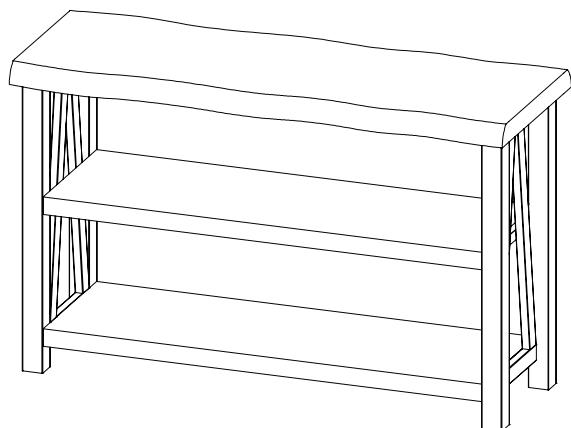


4PCS

M Plastic Mounting Strap
(Anti-Tip Kit)



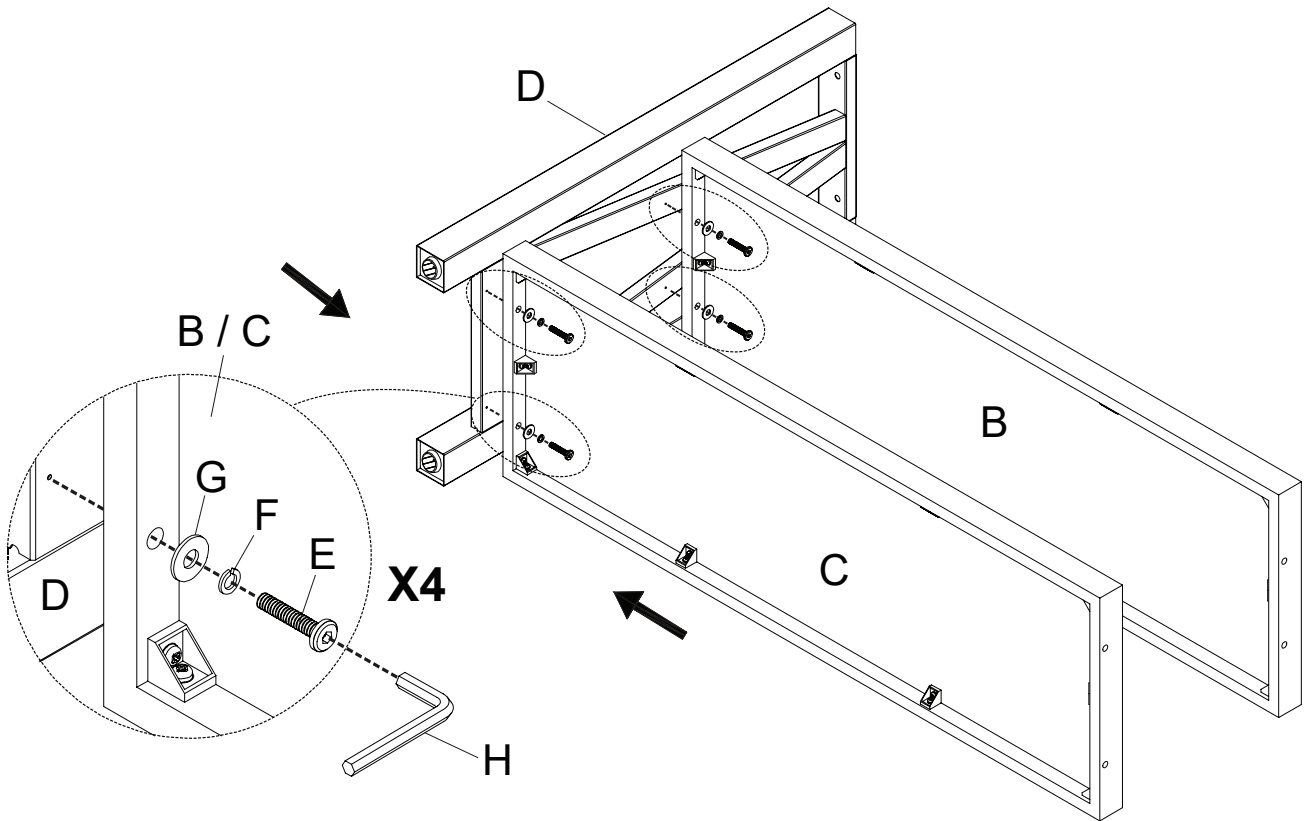
2PCS



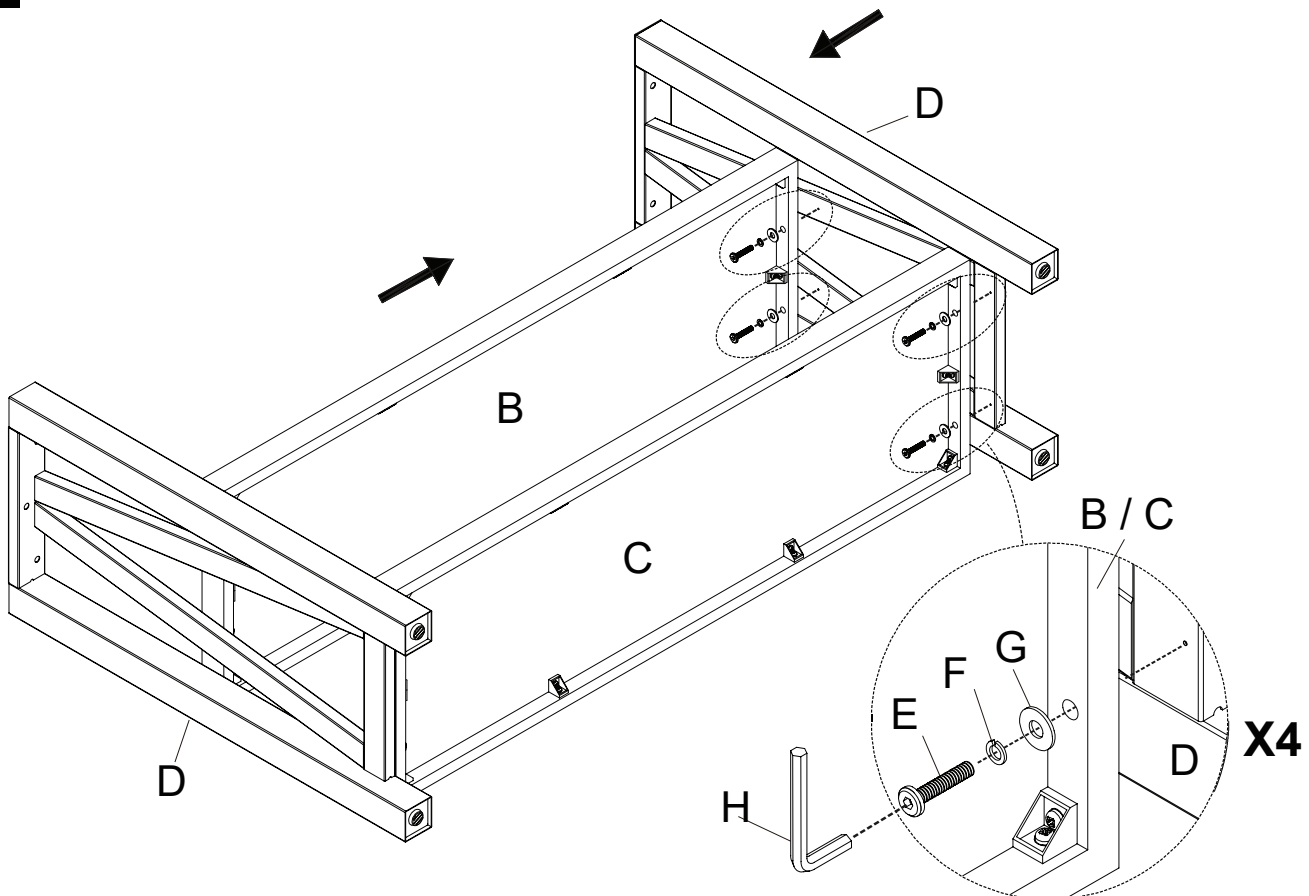
This page lists all the contents included in the box. Please take the time to identify the hardware as well as the individual components to this product. As you unpack and prepare for assembly, place the contents on a carpeted or padded area to protect them from damage.

***Do not tighten screws & bolts until the entire unit is completely assembled.

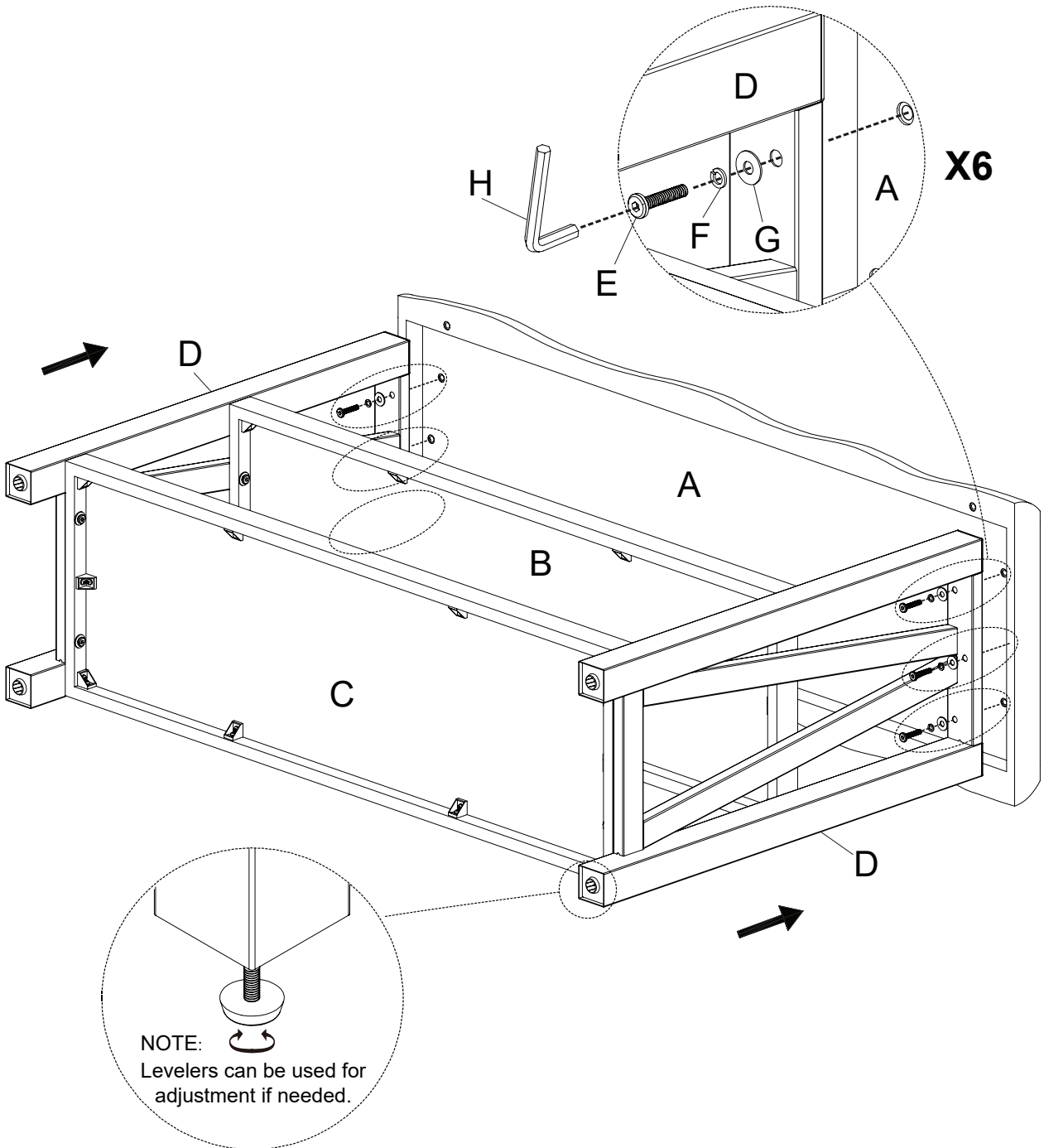
- 1** Attach the Leg (D) to the Shelf Panel (B) and the Bottom Panel (C) using Bolt (E), Spring Washer (F) and Flat Washer (G) with the Allen Wrench (H).



- 2** Attach the other Leg (D) to the Shelf Panel (B) and the Bottom Panel (C) using Bolt (E), Spring Washer (F) and Flat Washer (G) with the Allen Wrench (H).

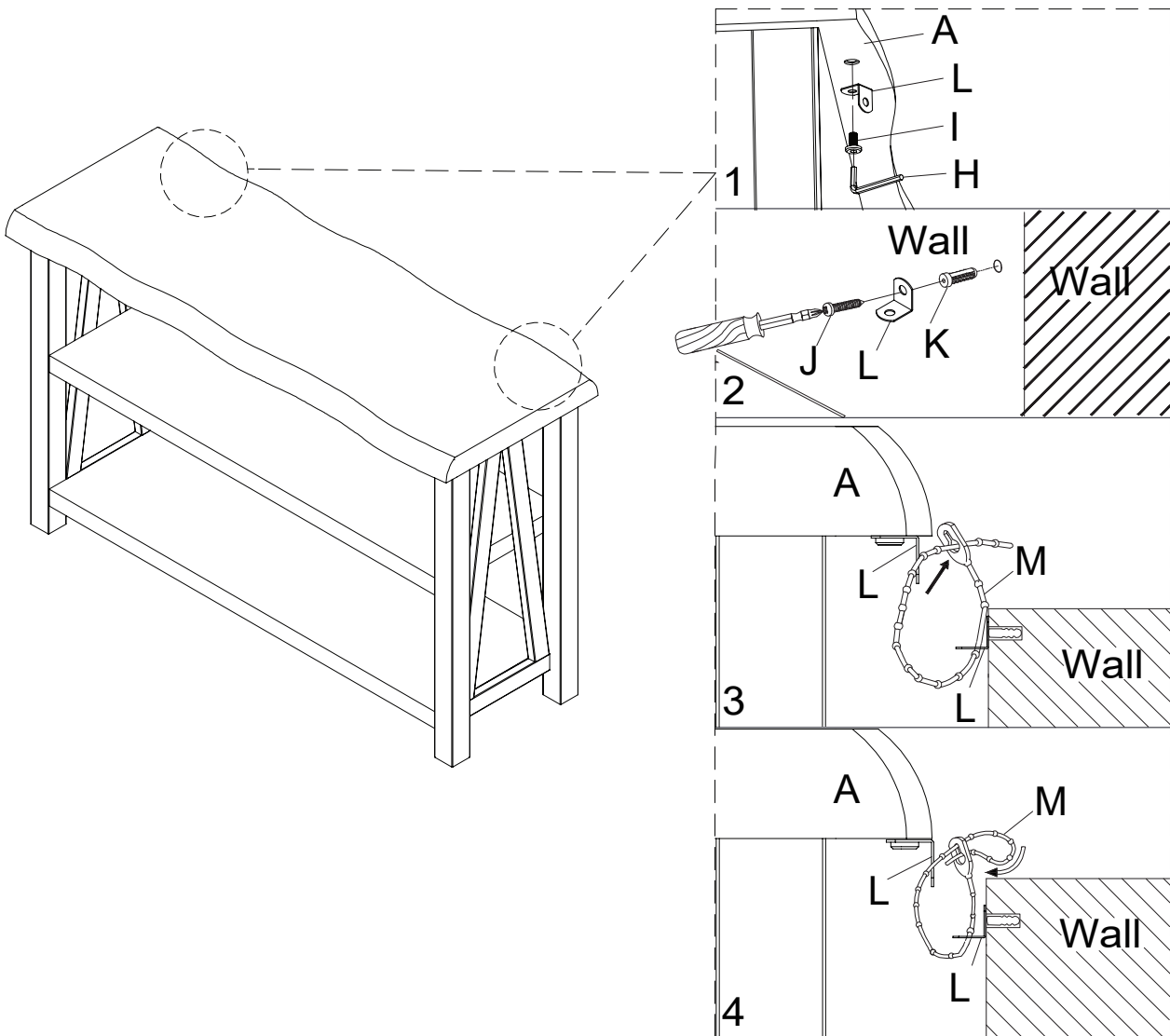


3 Attach the Top Panel (A) to the Leg (D) using Bolt (E), Spring Washer (F) and Flat Washer (G) with the Allen Wrench (H).



4 For your safety, we recommend attending the product to the wall using the provided Anti-Tip Kit as per the instructions below.

1. Attach 2pcs of Metal Bracket (L) to the holes on the bottom of the Top Panel (A) using Bolt (I) with the Allen Wrench (H).
2. Determine where you want to place the furniture and mark the location on the wall for the Metal Bracket (L). Drill 2 holes in the wall approximately 2" below the corresponding positions of the Metal Bracket (L) and insert the Plastic Anchor (K). Then, attach the other 2pcs of the Metal Bracket (L) to the wall over the Plastic Anchor (K) using Wood Screw (J) with a screwdriver (not provided).
3. Position the furniture so that the Metal Bracket (L) on the Top Panel (A) align with the Metal Bracket (L) on the wall.
4. Connect the corresponding Metal Bracket (L) with the Plastic Mounting Strap (M) and tighten them as desired before locking them in place.



Cleaning & Care

Treat surfaces with care. Surfaces are resistant to scratches but are not scratch resistant. Clean surfaces with a dry or damp soft cloth. Do not use abrasive cleaners. Hardware may loosen over time. Periodically check that all connections are tight.