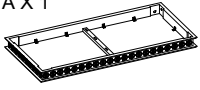


ASSEMBLY INSTRUCTIONS CARVING DINING TABLE

A X 1



B X 4



C X 8



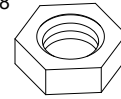
115X8MM

D X 8



25X8MM

E X 8

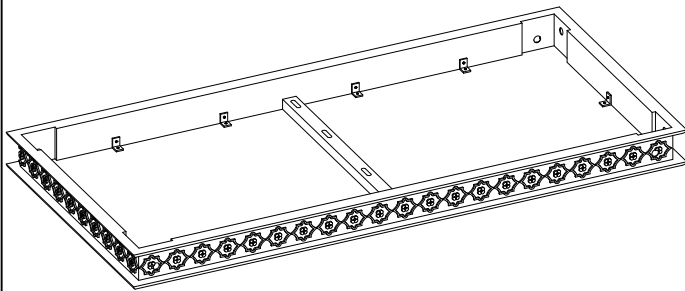


F X 1

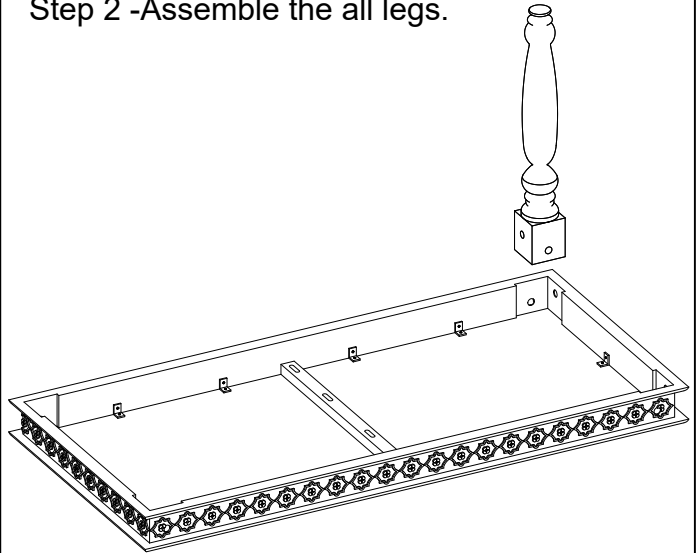


14-15

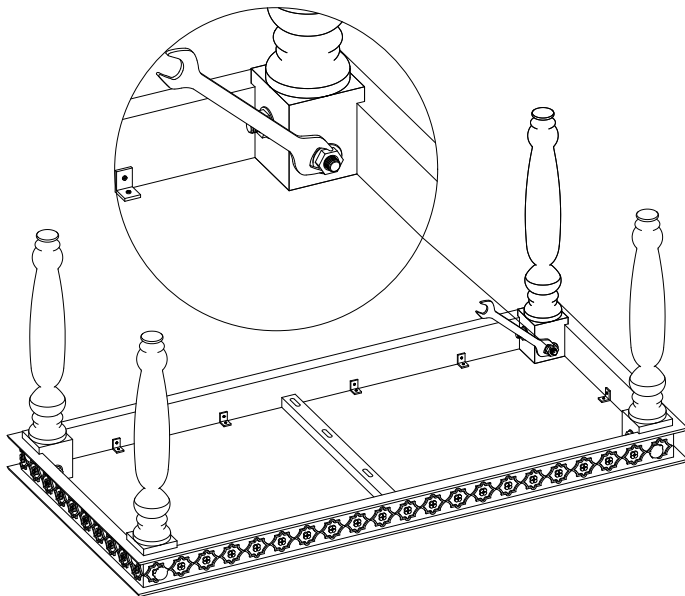
Step 1.



Step 2 - Assemble the all legs.



Step 3 - Tighten all the bolts.



Step 4 - Your product is now ready for use.
If it is shaking please tighten the bolts.



Care Instructions

Wipe with a soft, dry cloth. To protect finish, avoid the use of chemicals and household cleaners. Any liquid spilled onto the table should be cleaned up immediately with a damp cloth. Avoid keeping the product in direct sunlight.