

## RESIN OUTDOOR STORAGE SHED 6x6 FT

If you have any questions about the product, please feel free to contact us.

E-Mail: [Patiofurniture Serviceteam@outlook.com](mailto:Patiofurniture Serviceteam@outlook.com)



After-sales mailbox:  
[Patiofurniture Serviceteam@outlook.com](mailto:Patiofurniture Serviceteam@outlook.com)

# NOTICE



**Please keep these instructions for future reference.**

**Dear Customer**

● Thank you for your purchase. When you receive the product, please make sure that all the parts are intact. Then follow the entire installation instructions to install!

● **When installing, please be careful not to tighten the screws immediately! You need to make sure that all the screws are secured to 80%, then tighten them!**

**A** . The outer box is damaged

**B** . The product is damaged / bent / cracked while you open the box

**C** . The parts / accessories / assembly tools are missing


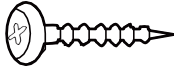

**D** . The instructions are not clear and can not be referred

**E** . The product has functional problems


























**F** . Other aspects that you are not satisfied with

Please feel free to contact us for help. Our after-sales team service (Patiofurnitureser-  
viceteam@outlook.com) will reply within 24 hours and will do our best to resolve the  
problem for you.

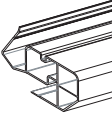
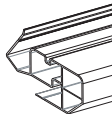


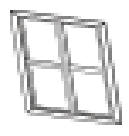

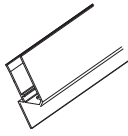
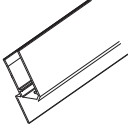
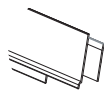
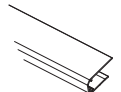
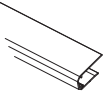


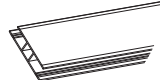



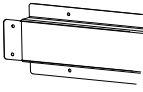







## HARDWARE LIST

Z410 	Z420 	ZW413 
70 pc	102 pc	36 pc





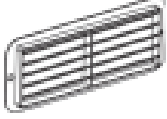
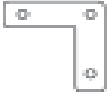

# PART LIST

VW1-2 	VD1-1 	VD1-3 	VD1-2 	VW1-3 
1 pc	1 pc	1 pc	1 pc	1 pc
VW1-1 	XW1-1 	CW2-1 	XF1-1 	XF1-2 
1 pc	1 pc	17 pc	4 pc	2 pc
VW4 	XW1-2L 	XW1-2R 	XW1-3L 	XW1-3R 
1 pc	1 pc	1 pc	1 pc	1 pc
CW3-1 	VW2-1 	XR1-2 	EA4 	ES1 
2 pc	1 pc	3 pc	1 pc	1 pc
CP1 	VP7 	CP3 	VP4 	EP4 
3 pc	1 pc	1 pc	2 pc	1 pc

# PART LIST

XP1 	VP2 	VP3 	SG102 	SG10 
2 pc	2 pc	2 pc	1 pc	1 pc
SG101 	CA1R 	VA1L 	EA3 	CA2R 
1 pc	1 pc	1 pc	1 pc	1 pc
CA2 	XPA2 	VPA1 	XPA3 	XPA1 
1 pc	2 pc	1 pc	1 pc	2 pc
VS3 	XS2 	XS3 	SG14 	M03-7 
1 pc	2 pc	1 pc	4 pc	1 pc
M04 	M03-6L 	M01 	SG2 	SG6 
1 pc	1 pc	2 pc	4 pc	4 pc

# PART LIST

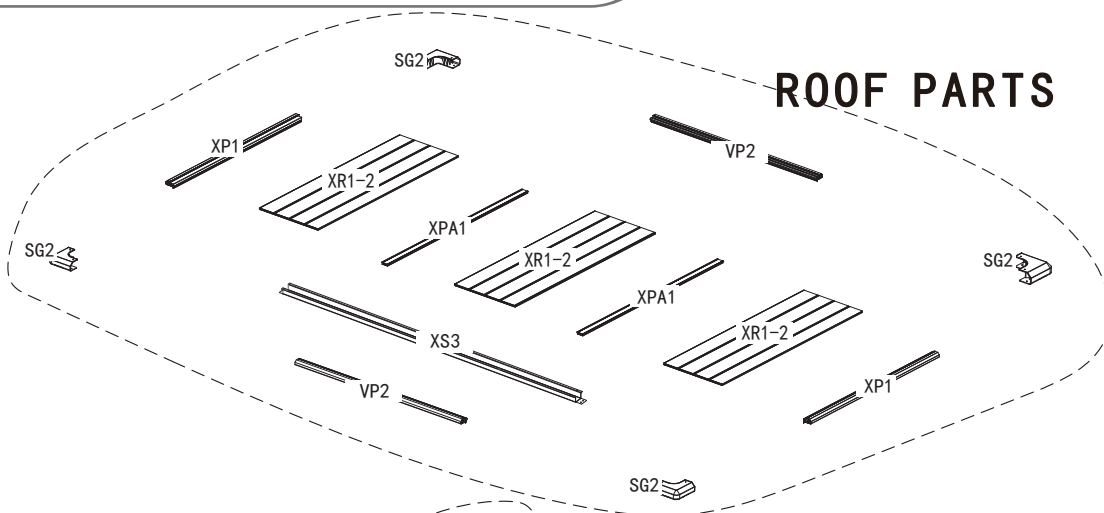
<p>SG7-2</p> 	<p>SG7-1</p> 	<p>SG8</p> 	<p>SG9</p> 	<p>BY</p> 
1 pc	1 pc	2 pc	3 pc	1 pc
<p>SG12</p> 	<p>Drill</p> 			
2 pc	1 pc			

1. Please ensure that all accessories are complete before starting the installation.
2. Due to the variety of accessories, many accessories may be glued together, please check carefully
3. If any accessories are missing or damaged, please contact the seller immediately.

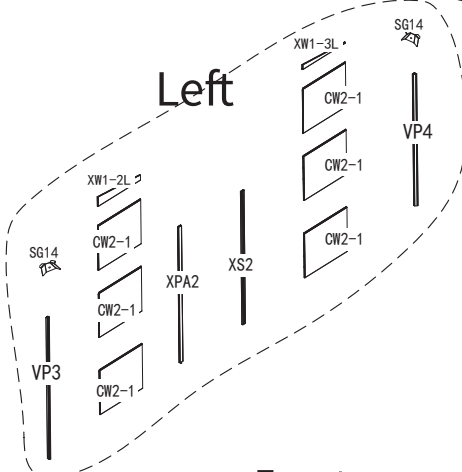
E-Mail: [Patiofurniture Serviceteam@outlook.com](mailto:Patiofurniture Serviceteam@outlook.com)

# PARTS SCHEMATIC

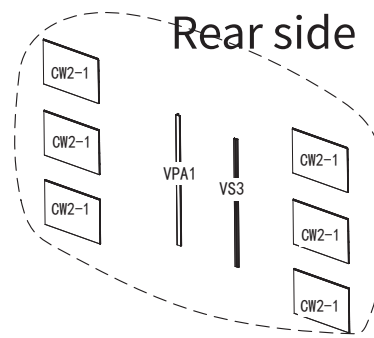
## ROOF PARTS



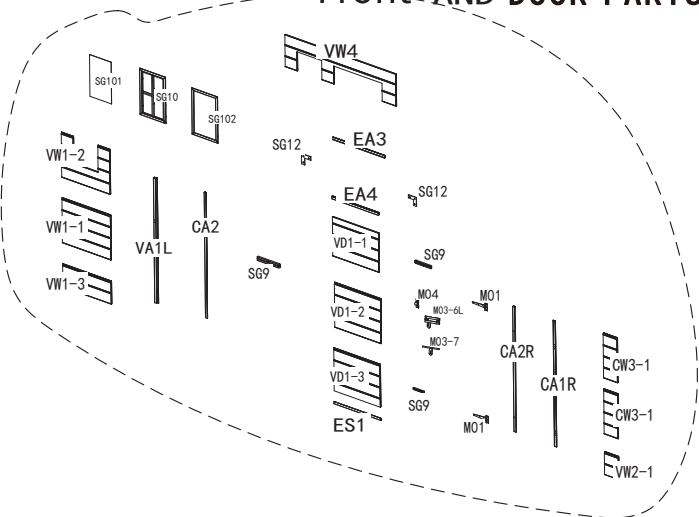
### Left



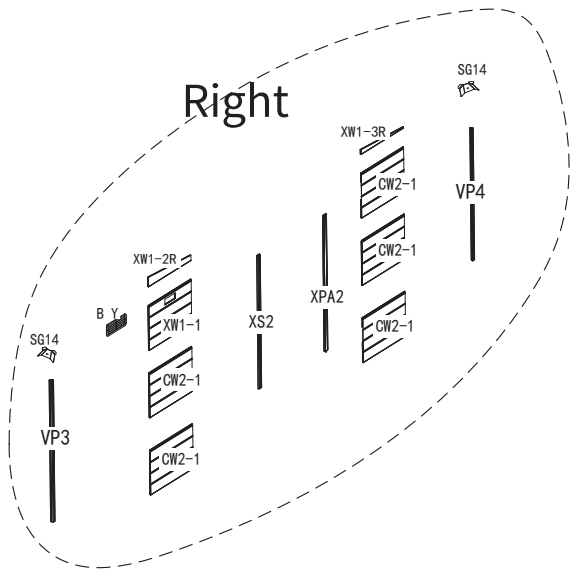
### Rear side



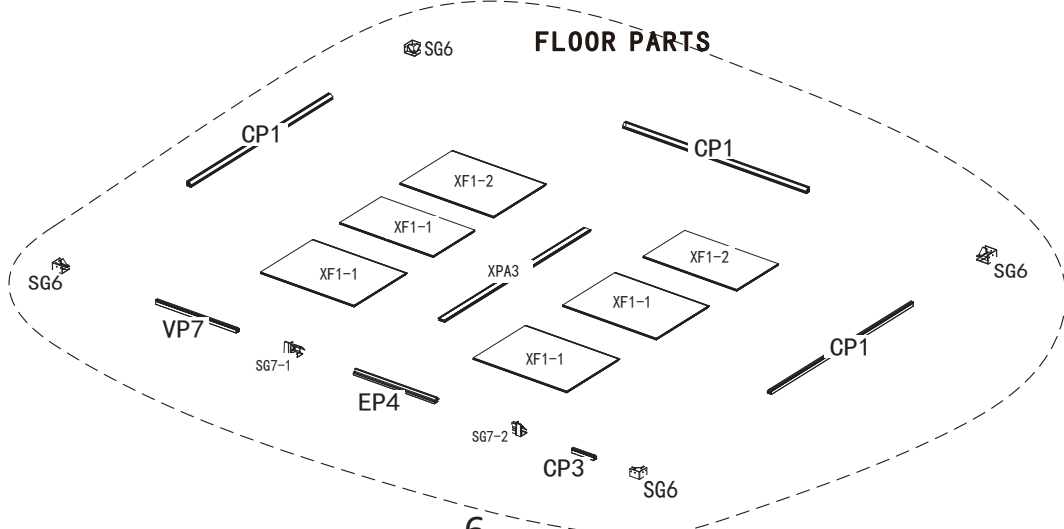
## Front AND DOOR PARTS



### Right



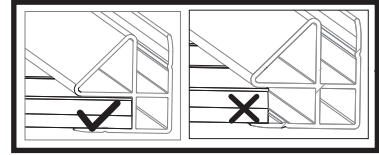
## FLOOR PARTS



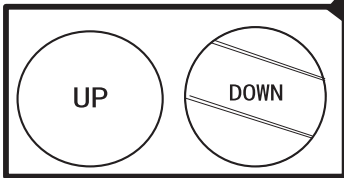
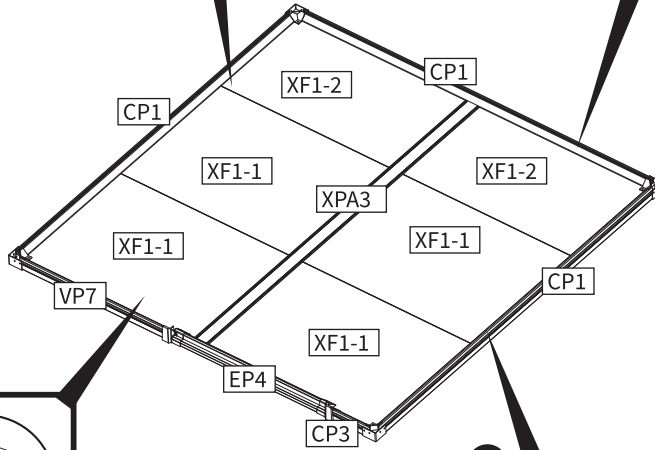
# FLOOR ASSEMBLY



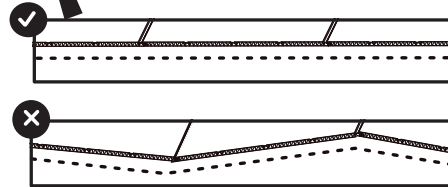
● Use spatula (part "SG8") for easier insertion of panel into profile



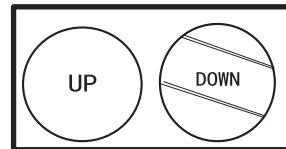
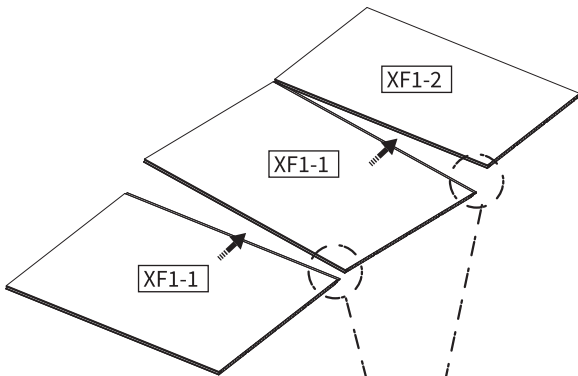
● Fully fit the panel inside the profile



The crease line of the floor must be underneath

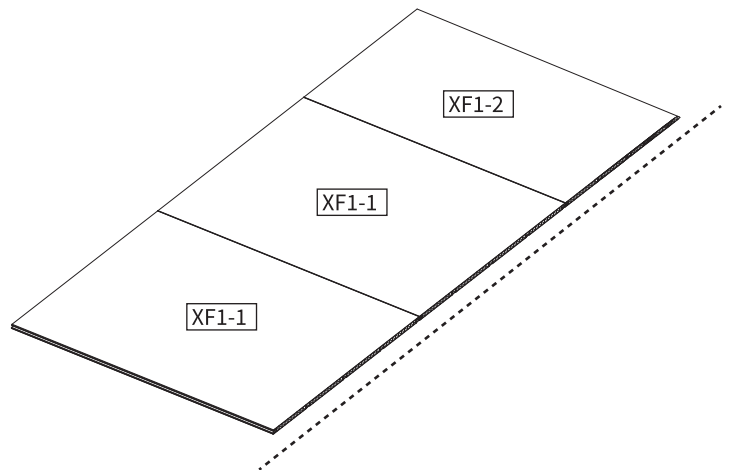
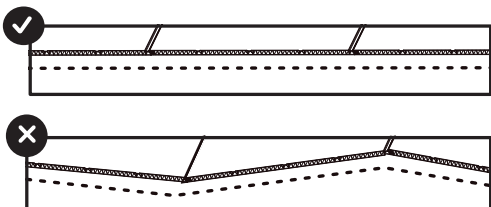
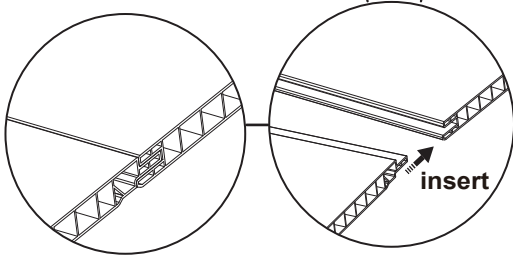


## STEP 1

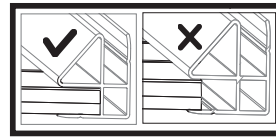
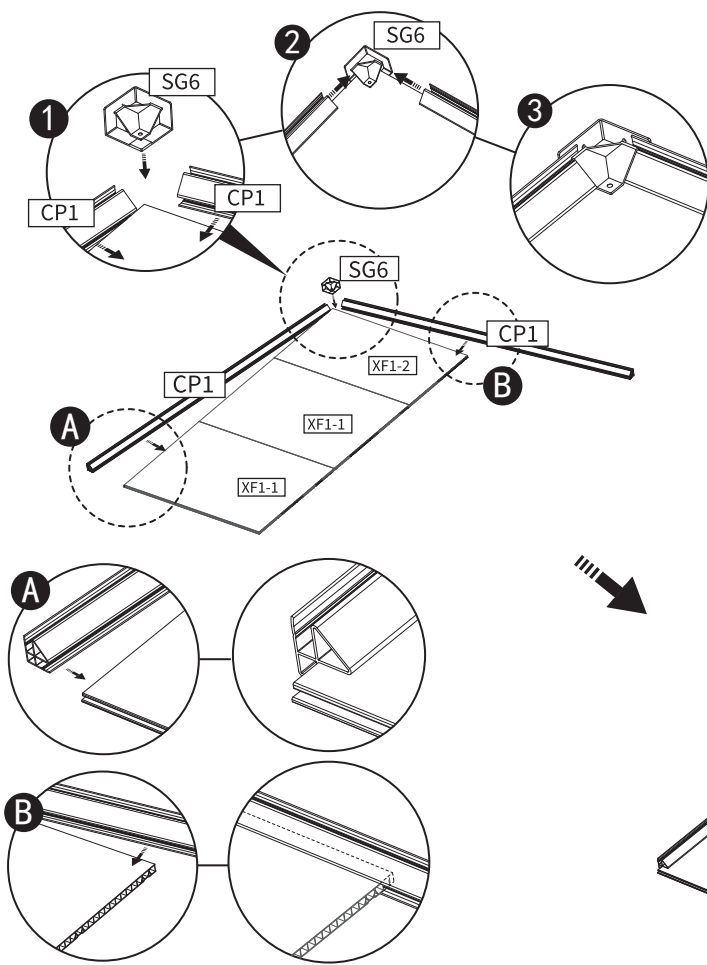


The crease line of the floor must be underneath.


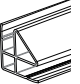
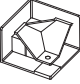
<b>XF1-1</b>		2 PC
<b>XF1-2</b>		1 PC



# STEP 2

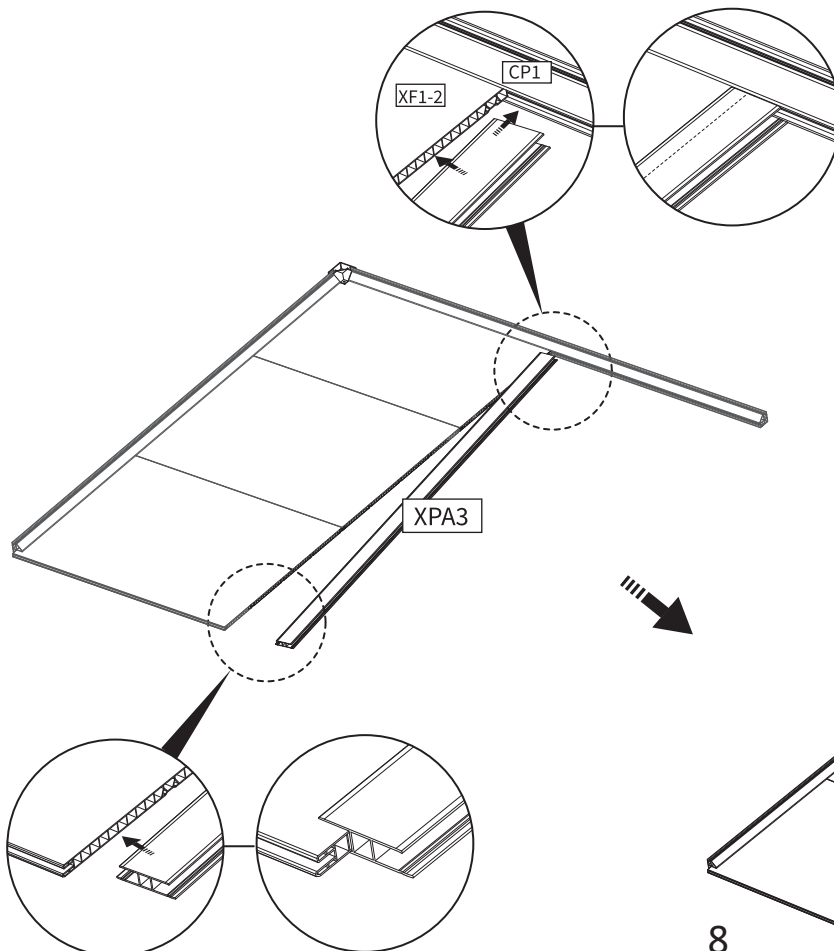




● Fully fit the panel inside the profile

<b>SG8</b> 	<b>CP1</b>  2 PC
<b>SG6</b>  1 PC	

● Use spatula  (part "SG8") for easier insertion of panel into profile

# STEP 3



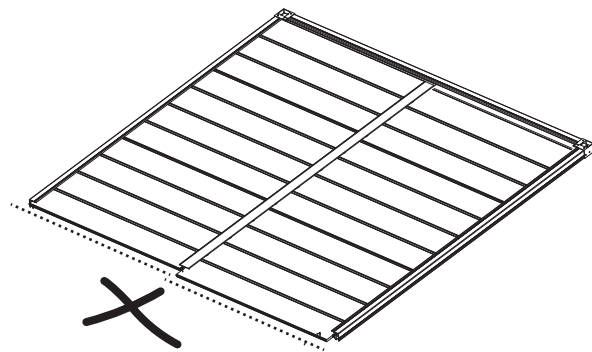
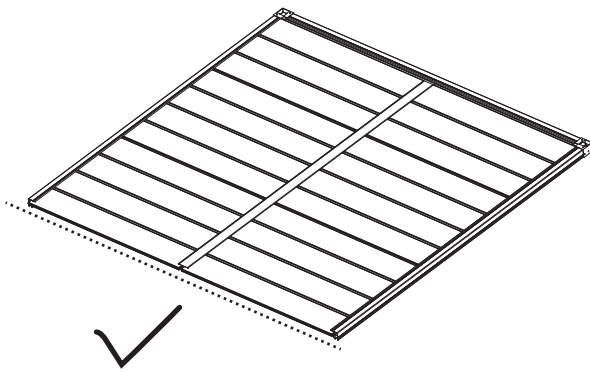
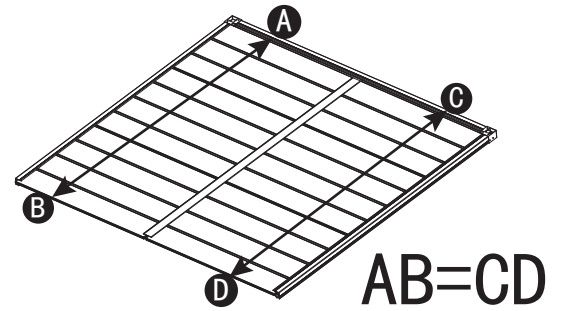
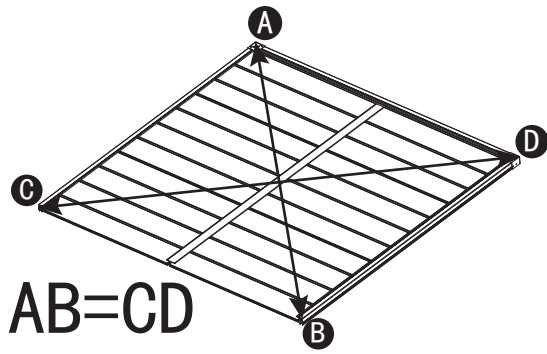
<b>XPA3</b>  1 PC
<b>SG8</b> 

● Use spatula  (part "SG8") for easier insertion of panel into profile



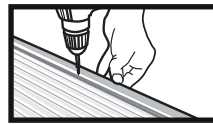


# STEP 8

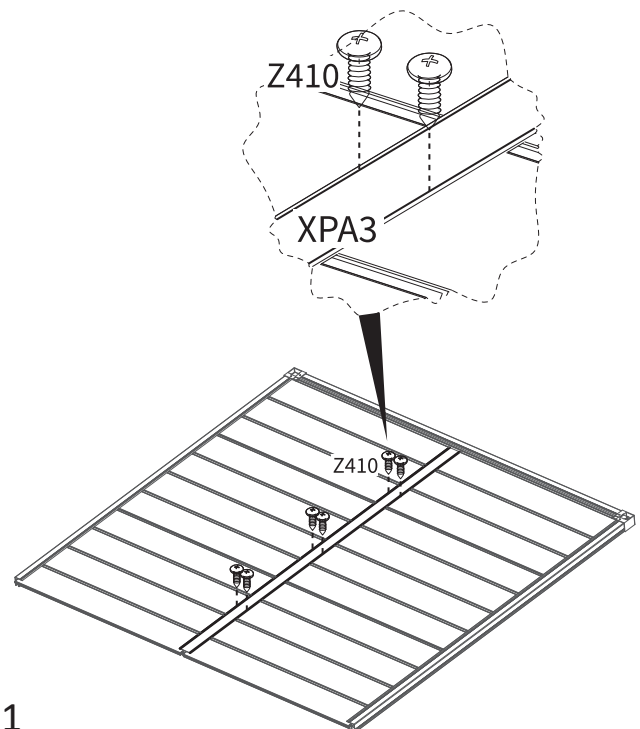
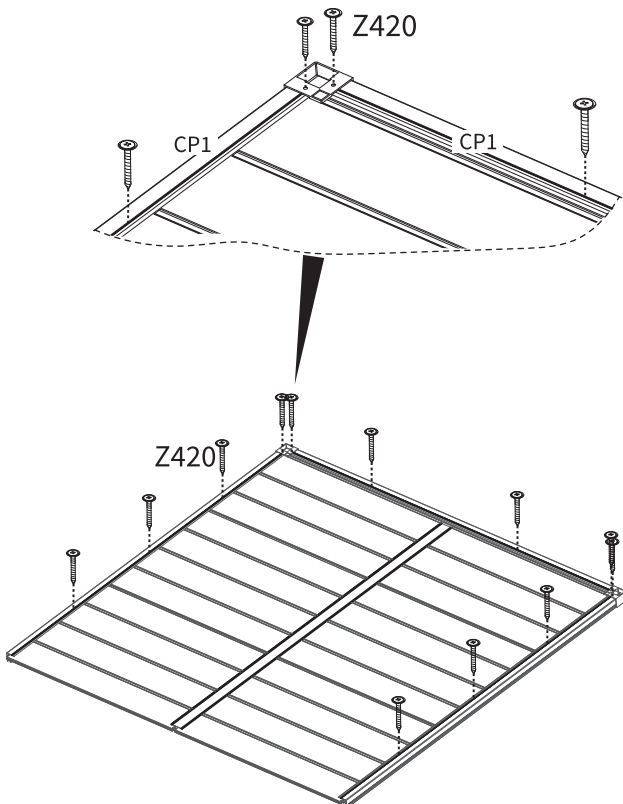
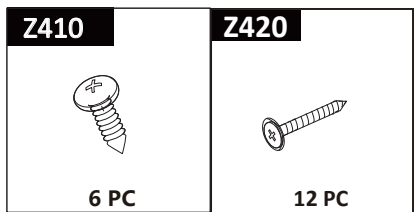


# STEP 9

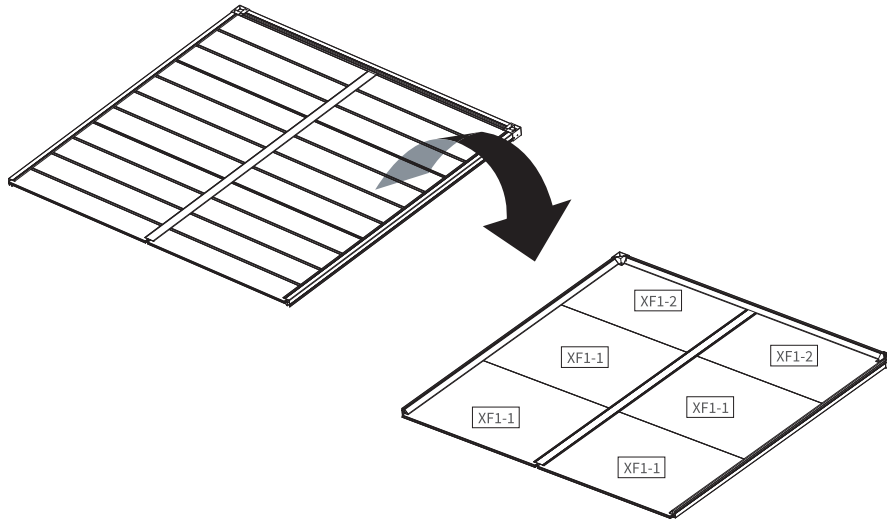
Caution:  
Please use Drill to predrill  
a hole at depth 1mm before screw.



Screw along the marked lines in profile

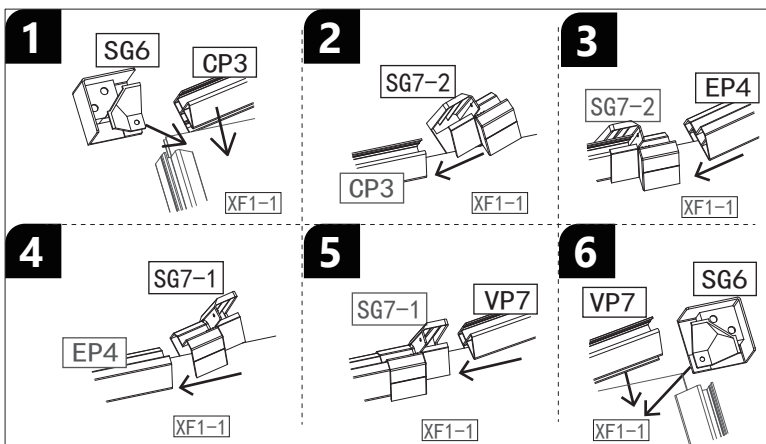


# STEP 10

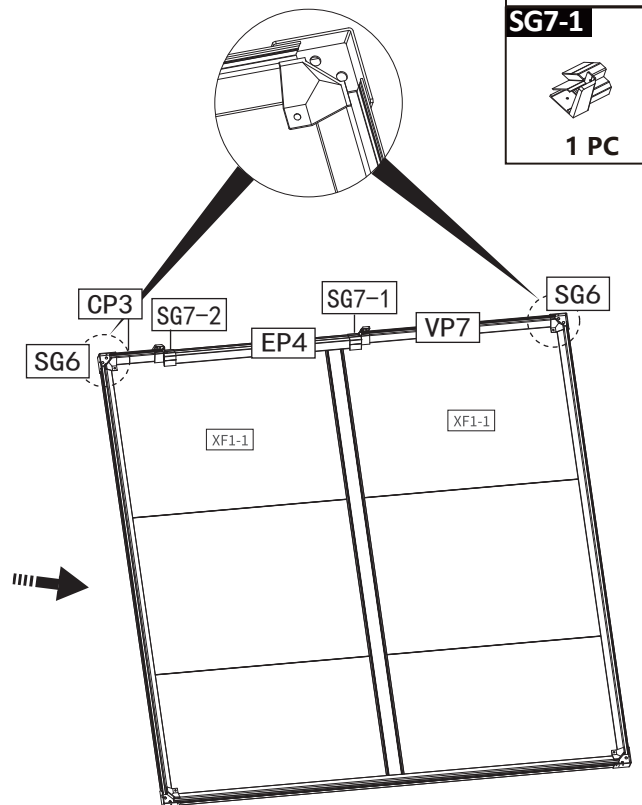
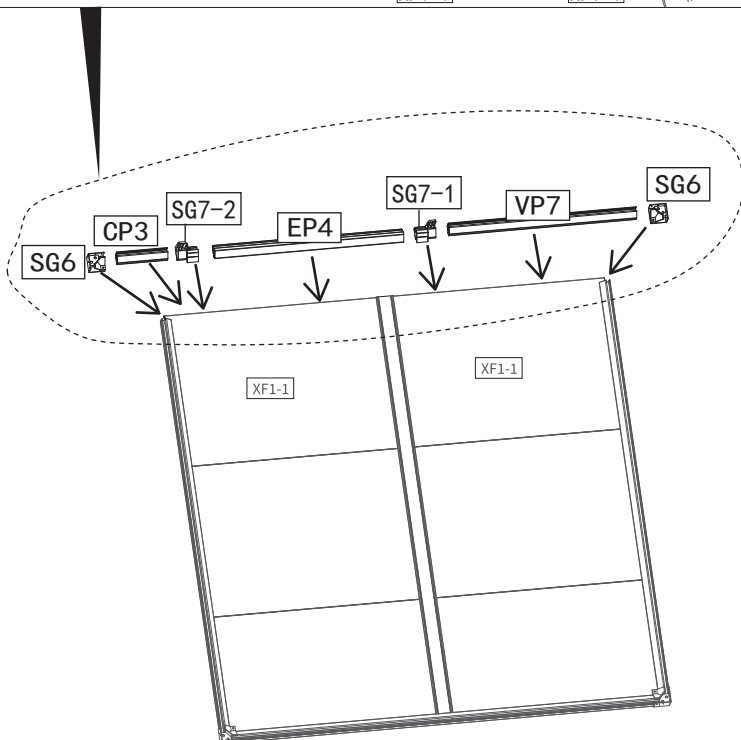


# STEP 11

● Use spatula (part "SG8") for easier insertion of panel into profile

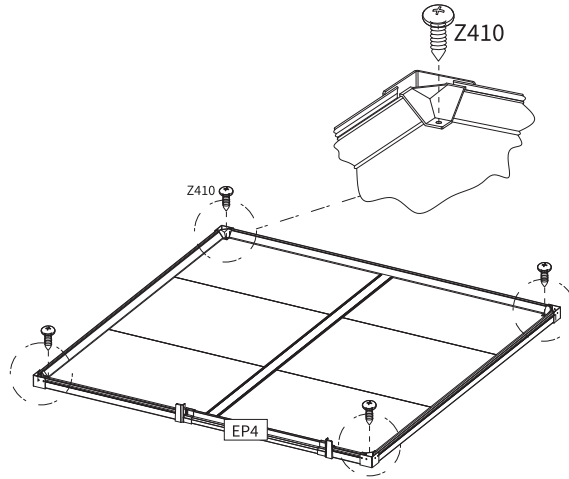


<b>SG8</b> 	<b>SG7-2</b>  1 PC	<b>EP4</b>  1 PC	<b>SG6</b>  2 PC
<p>● Fully fit the panel inside the profile</p>			<b>VP7</b>  1 PC
			<b>CP3</b>  1 PC
			<b>SG7-1</b>  1 PC



# STEP 12

1



Z410



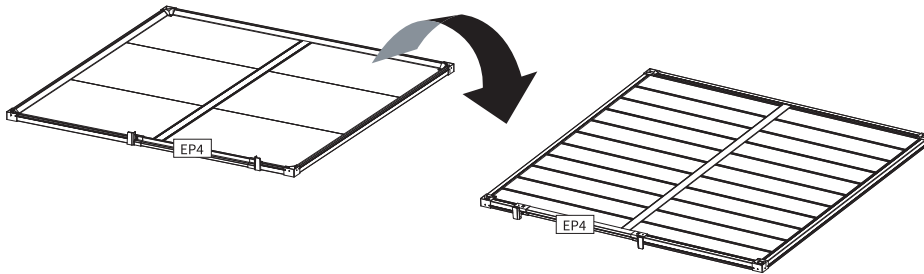
4 PC

Z420

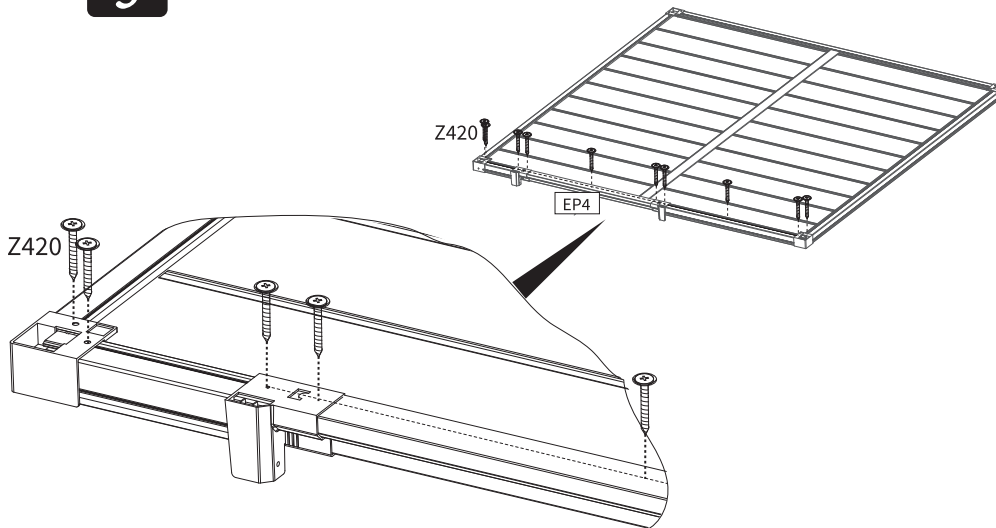


8 PC

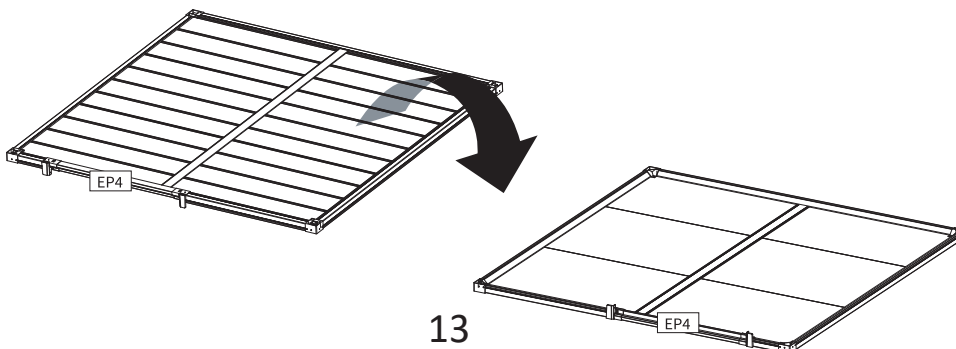
2



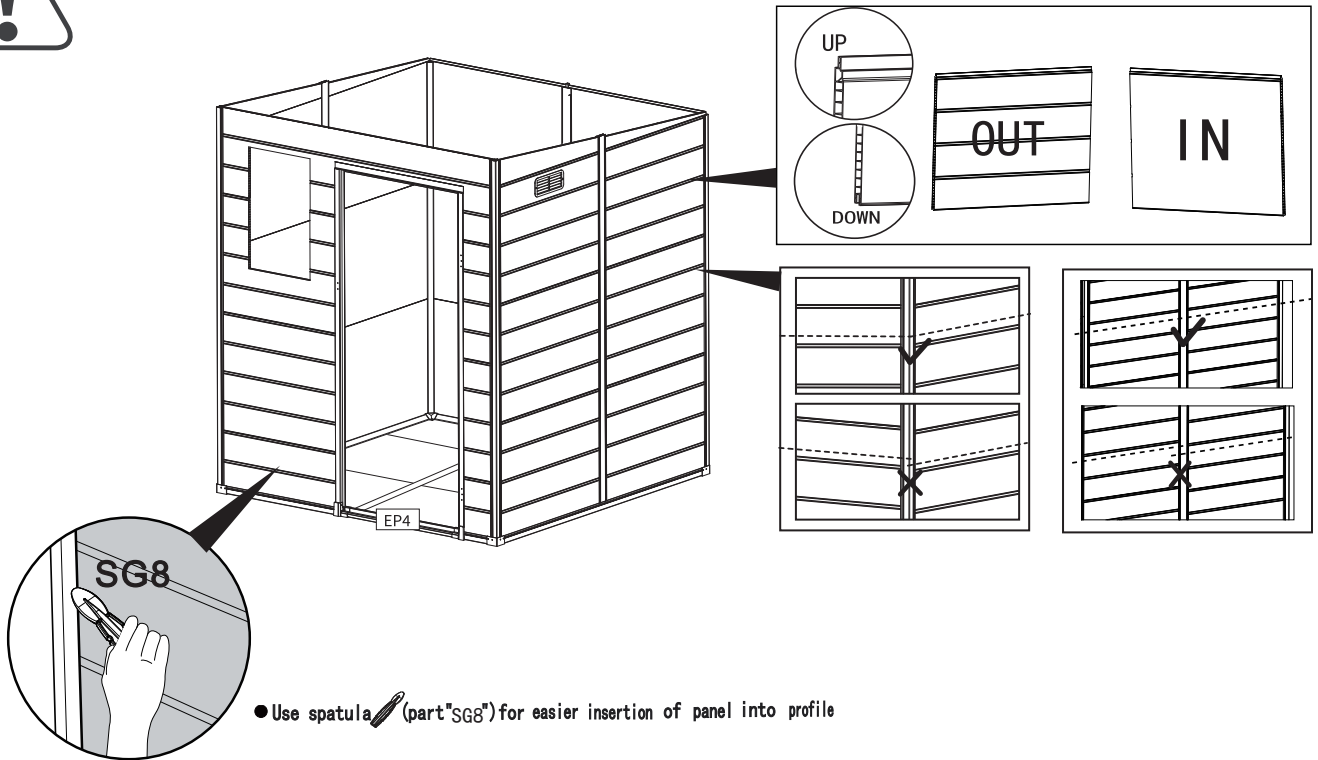
3



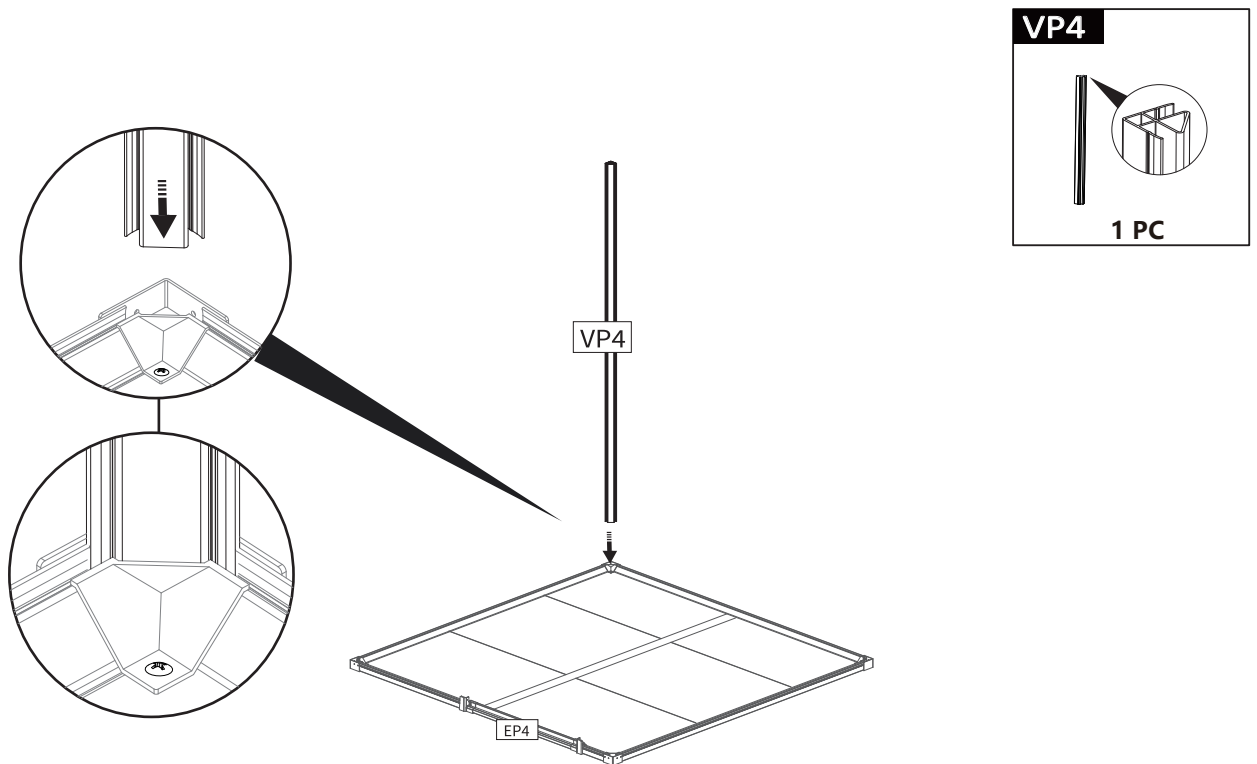
4



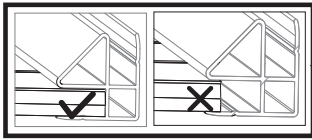
# WALL ASSEMBLY



## STEP 13

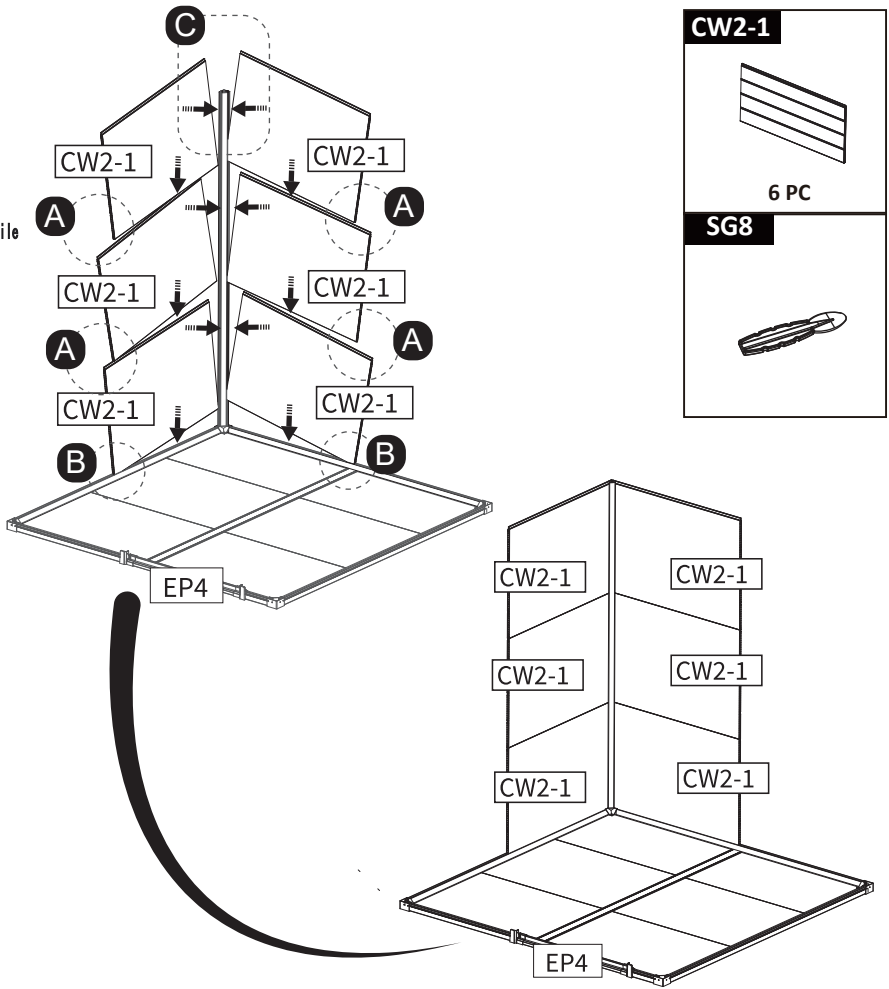
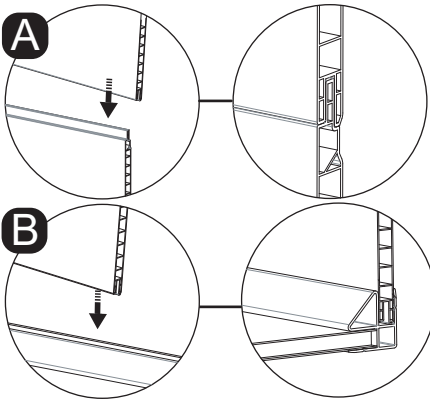
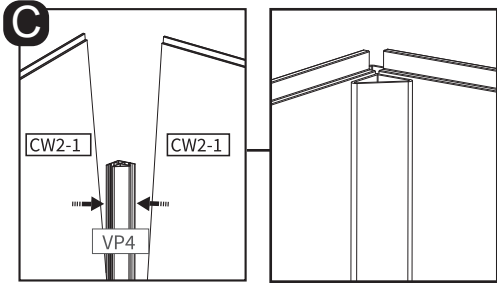


# STEP 14



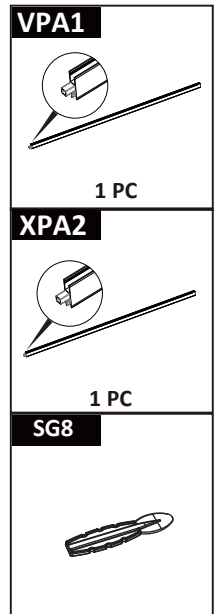
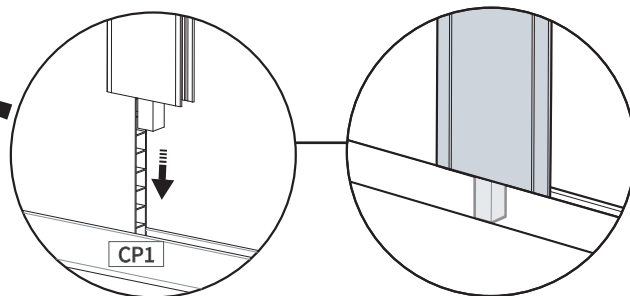
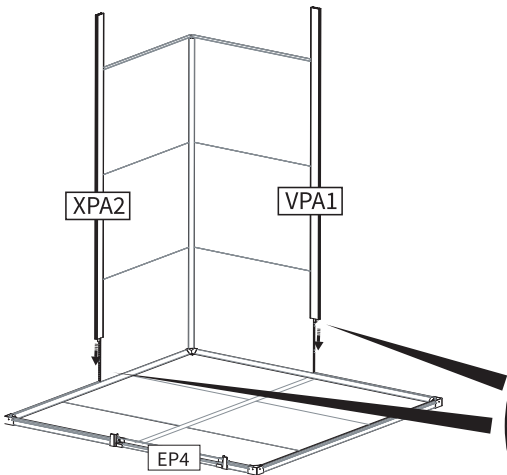
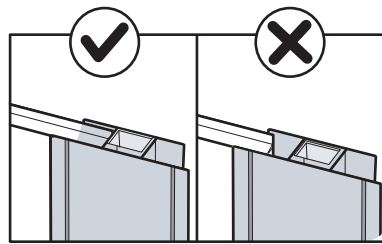
● Fully fit the panel inside the profile

● Use spatula (part "SG8") for easier insertion of panel into profile



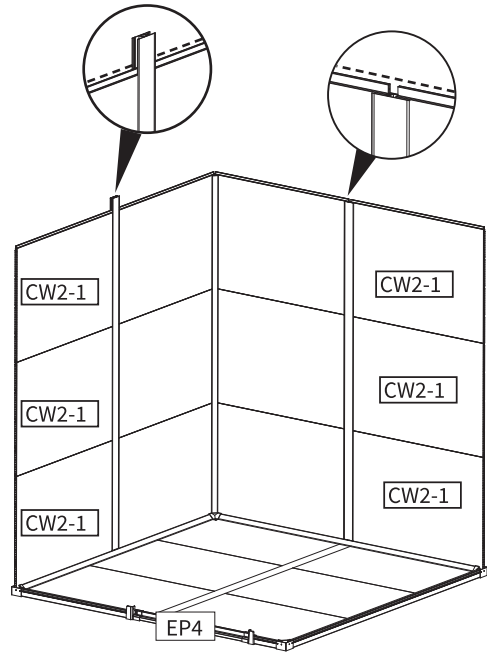
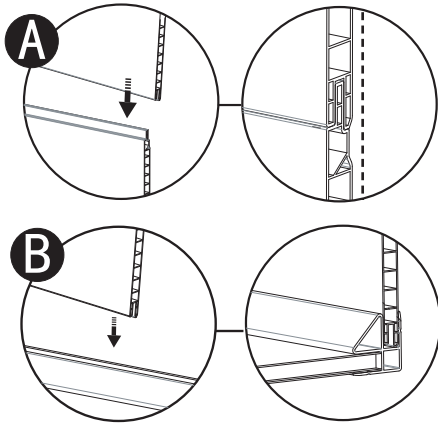
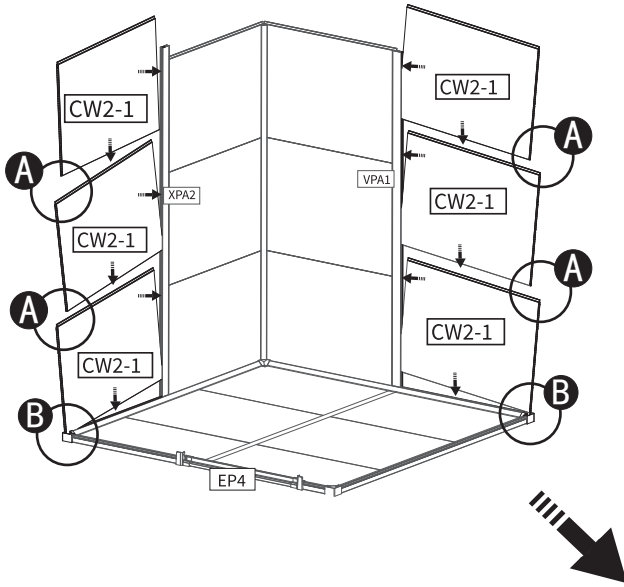
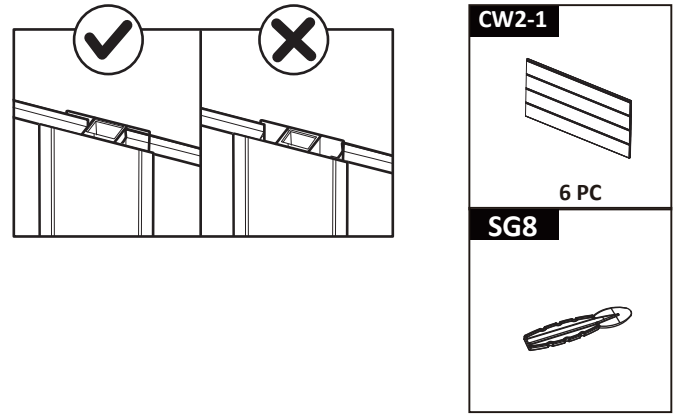
# STEP 15

● Use spatula (part "SG8") for easier insertion of panel into profile

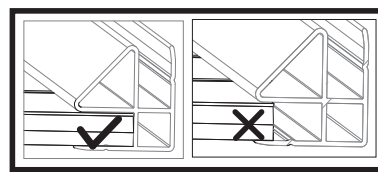


# STEP 16

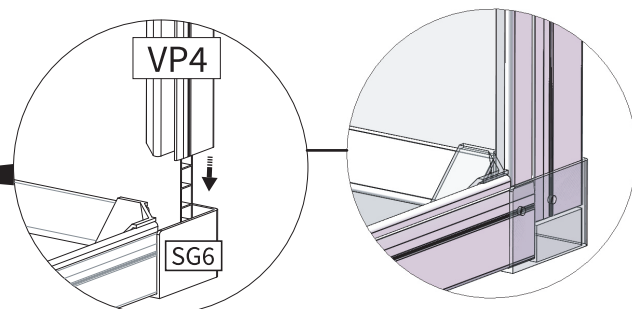
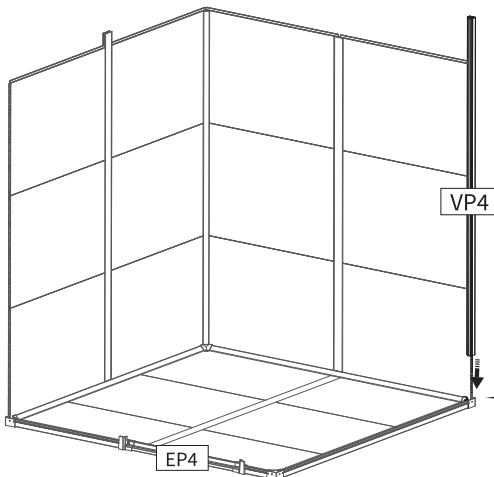
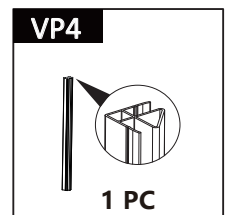
● Use spatula (part "SG8") for easier insertion of panel into profile



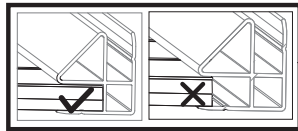
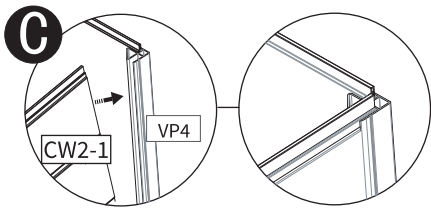
# STEP 17



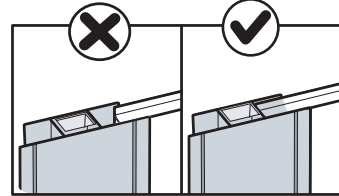
● Fully fit the panel inside the profile



# STEP 18



● Fully fit the panel inside the profile



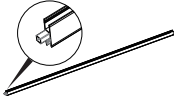
● Use spatula (part "SG8") for easier insertion of panel into profile

**CW2-1**



3 PC

**XPA2**

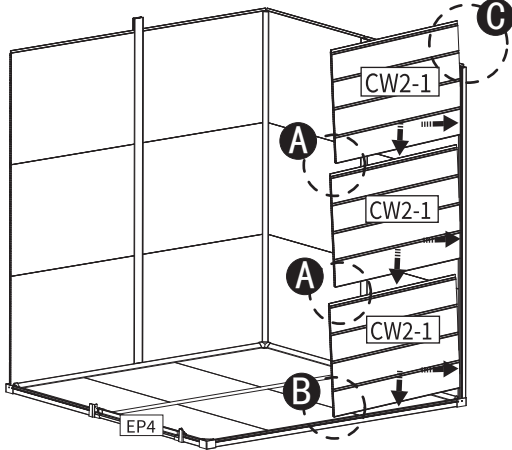


1 PC

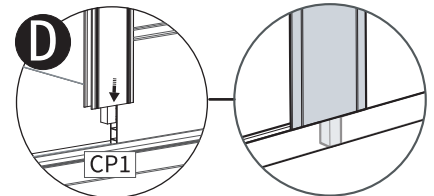
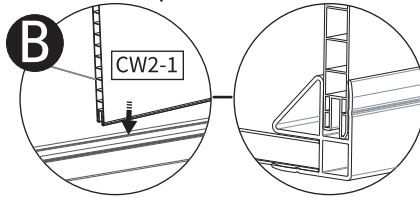
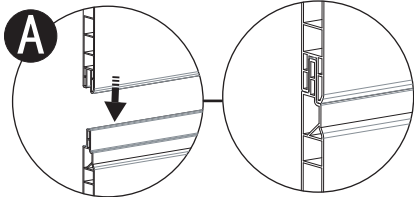
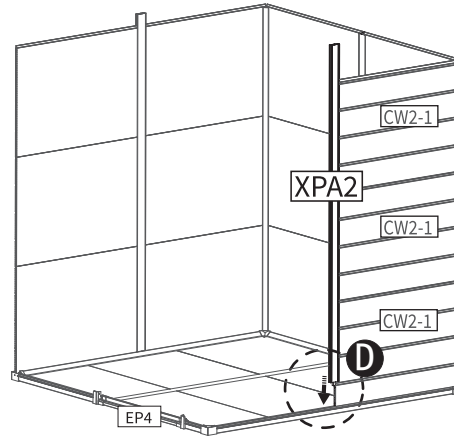
**SG8**



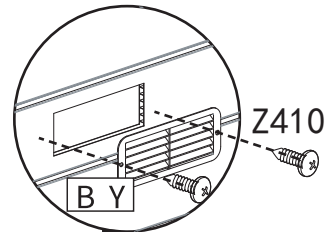
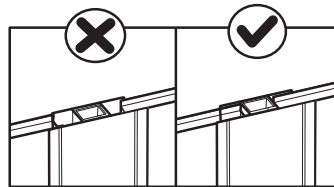
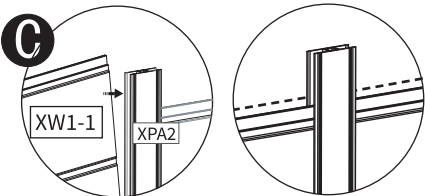
**1**



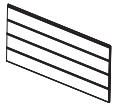
**2**



# STEP 19



**CW2-1**



2 PC

**XW1-1**



1 PC

**B Y**



1 PC

**Z410**

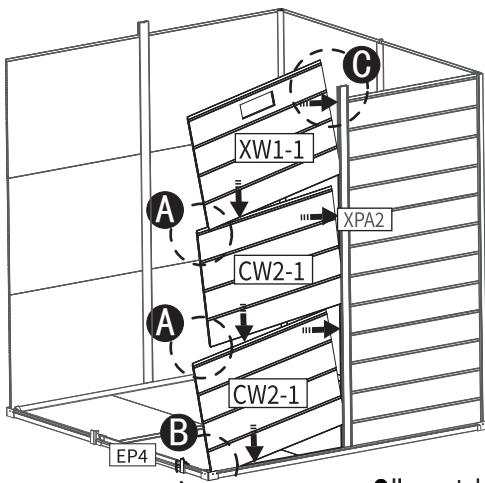


2 PC

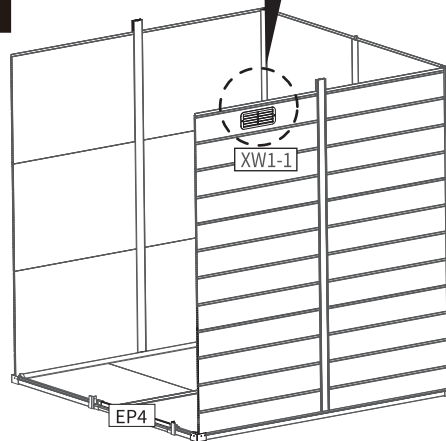
**SG8**



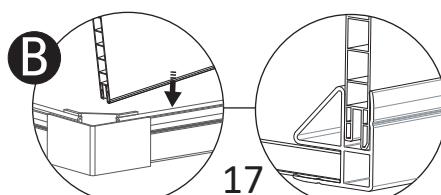
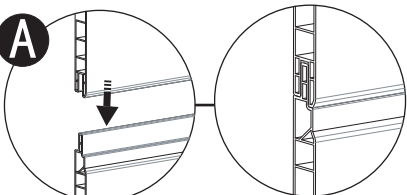
**1**



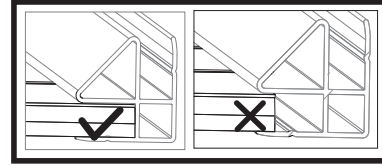
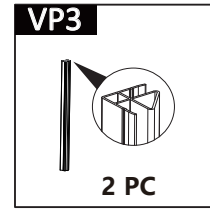
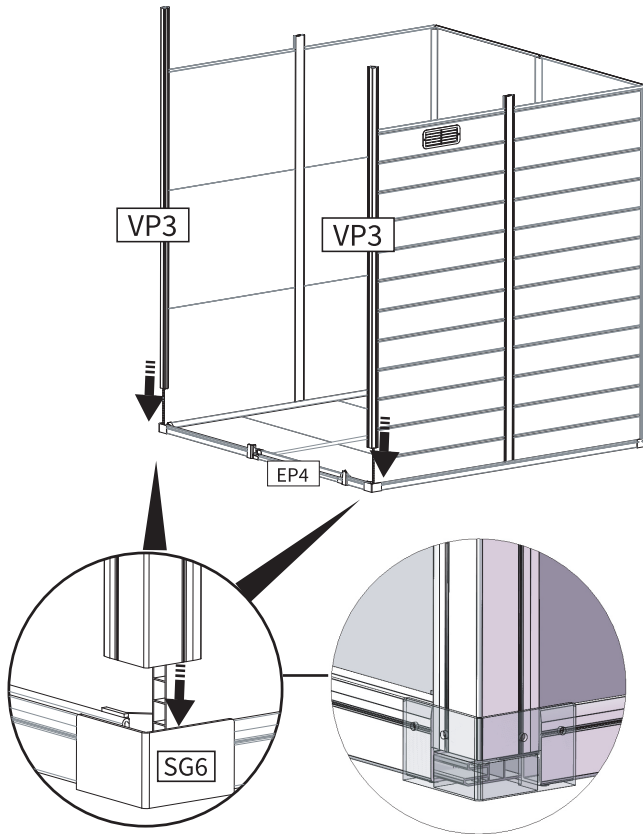
**2**



● Use spatula (part "SG8") for easier insertion of panel into profile



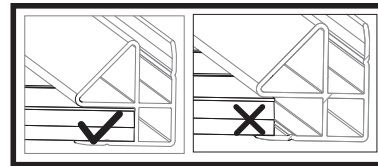
# STEP 20



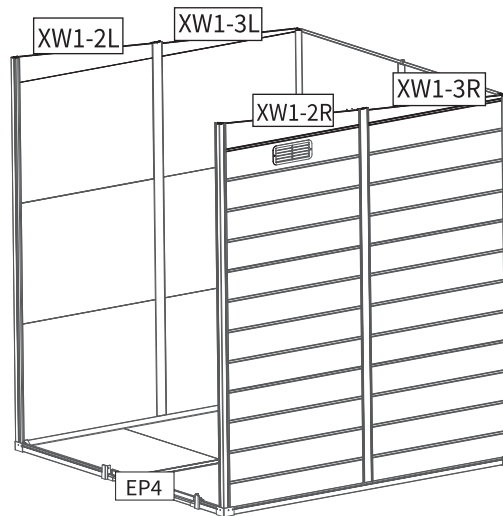
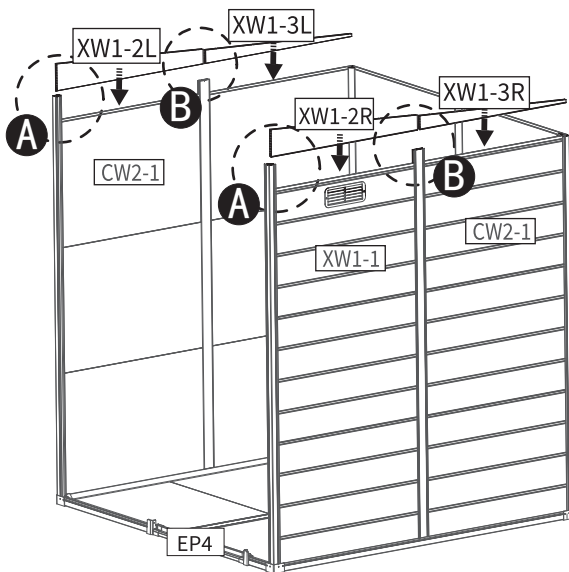
● Fully fit the panel inside the profile

# STEP 21

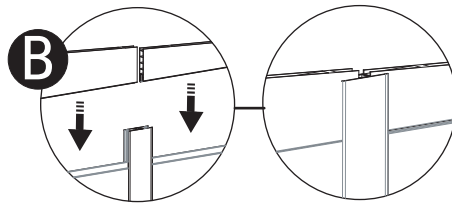
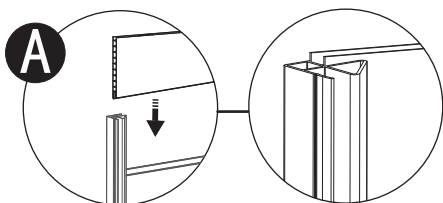
● Use spatula (part "SG8") for easier insertion of panel into profile



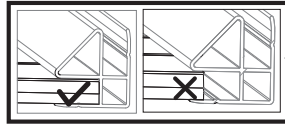
● Fully fit the panel inside the profile



<b>XW1-2L</b>		1 PC
<b>XW1-3L</b>		1 PC
<b>XW1-2R</b>		1 PC
<b>XW1-3R</b>		1 PC
<b>SG8</b>		



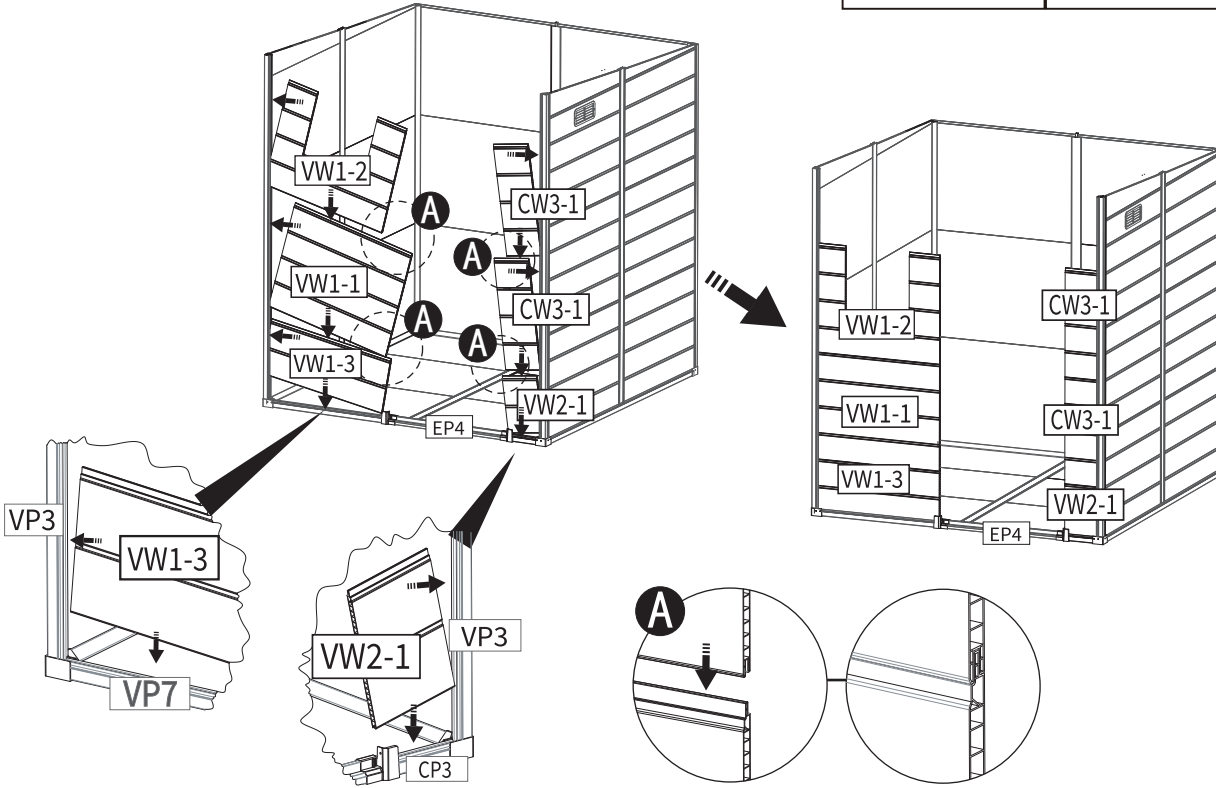
# STEP 22



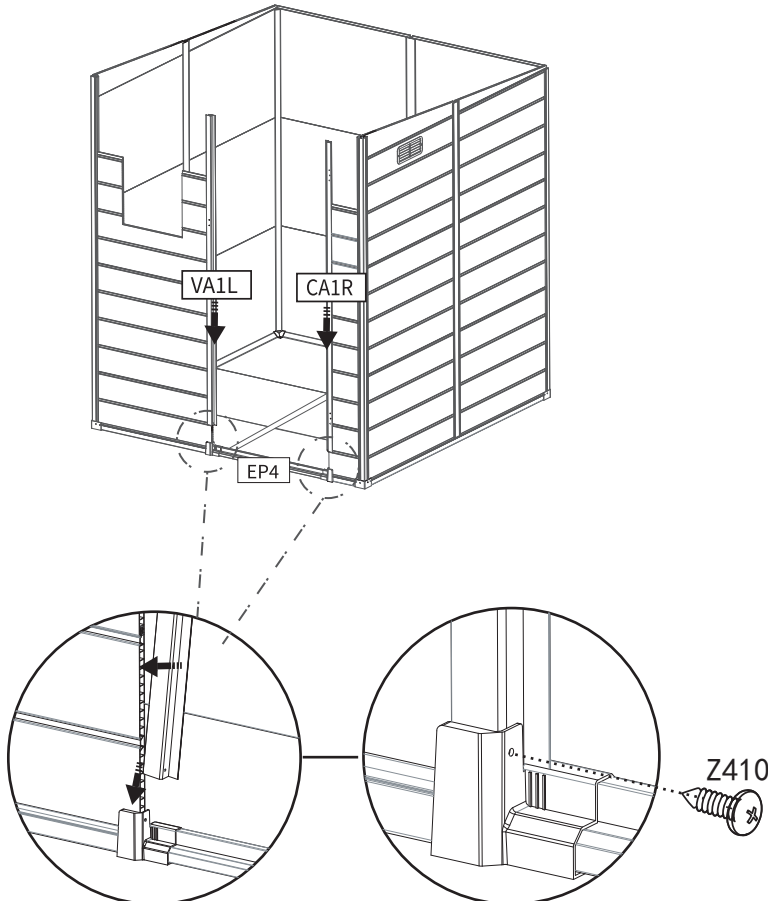
● Fully fit the panel inside the profile

● Use spatula (part "SG8") for easier insertion of panel into profile

<b>VW2-1</b>  1 PC	<b>CW3-1</b>  2 PC	<b>VW1-1</b>  1 PC
		<b>VW1-2</b>  1 PC
		<b>VW1-3</b>  1 PC
		<b>SG8</b> 

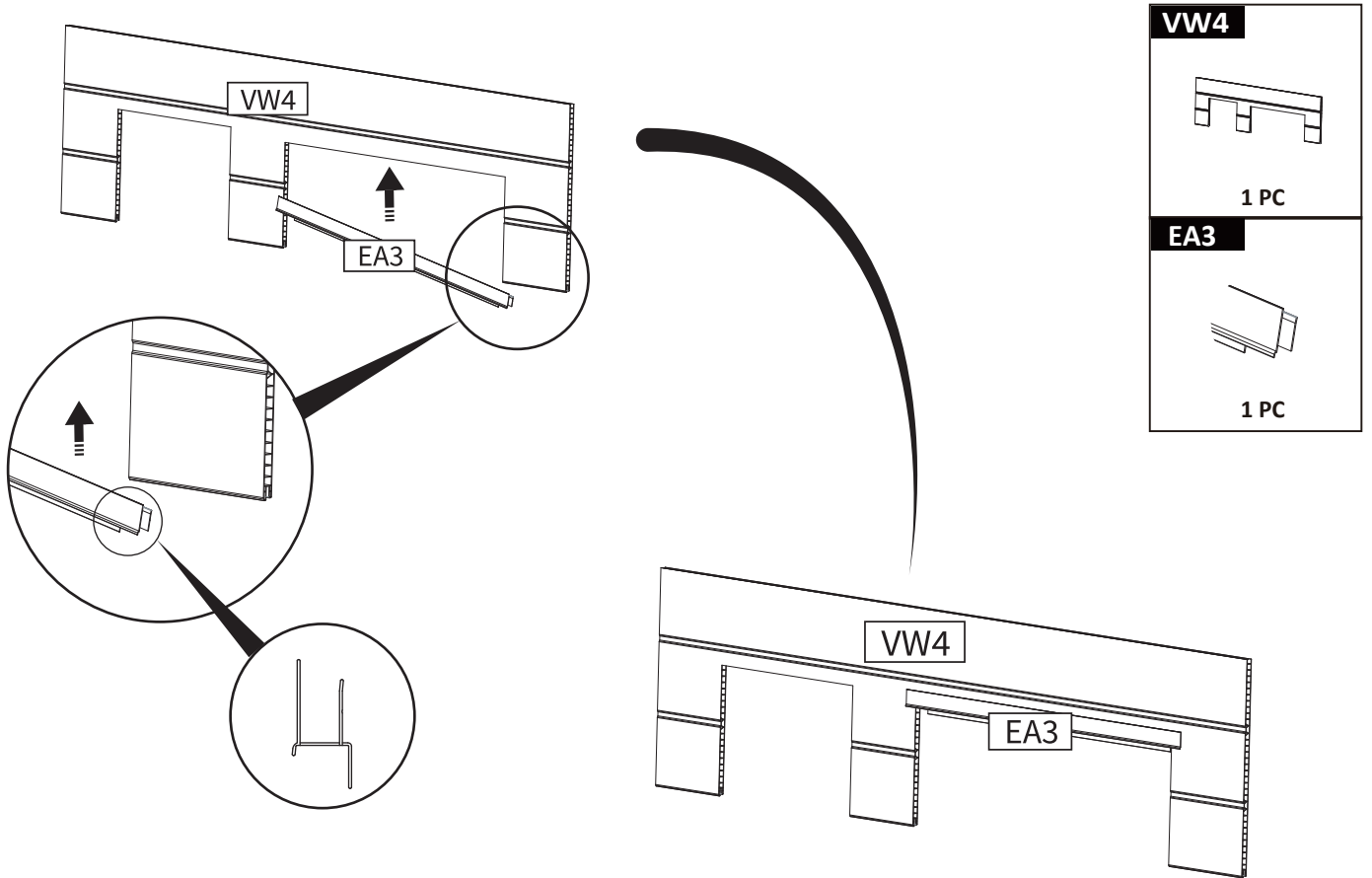


# STEP 23

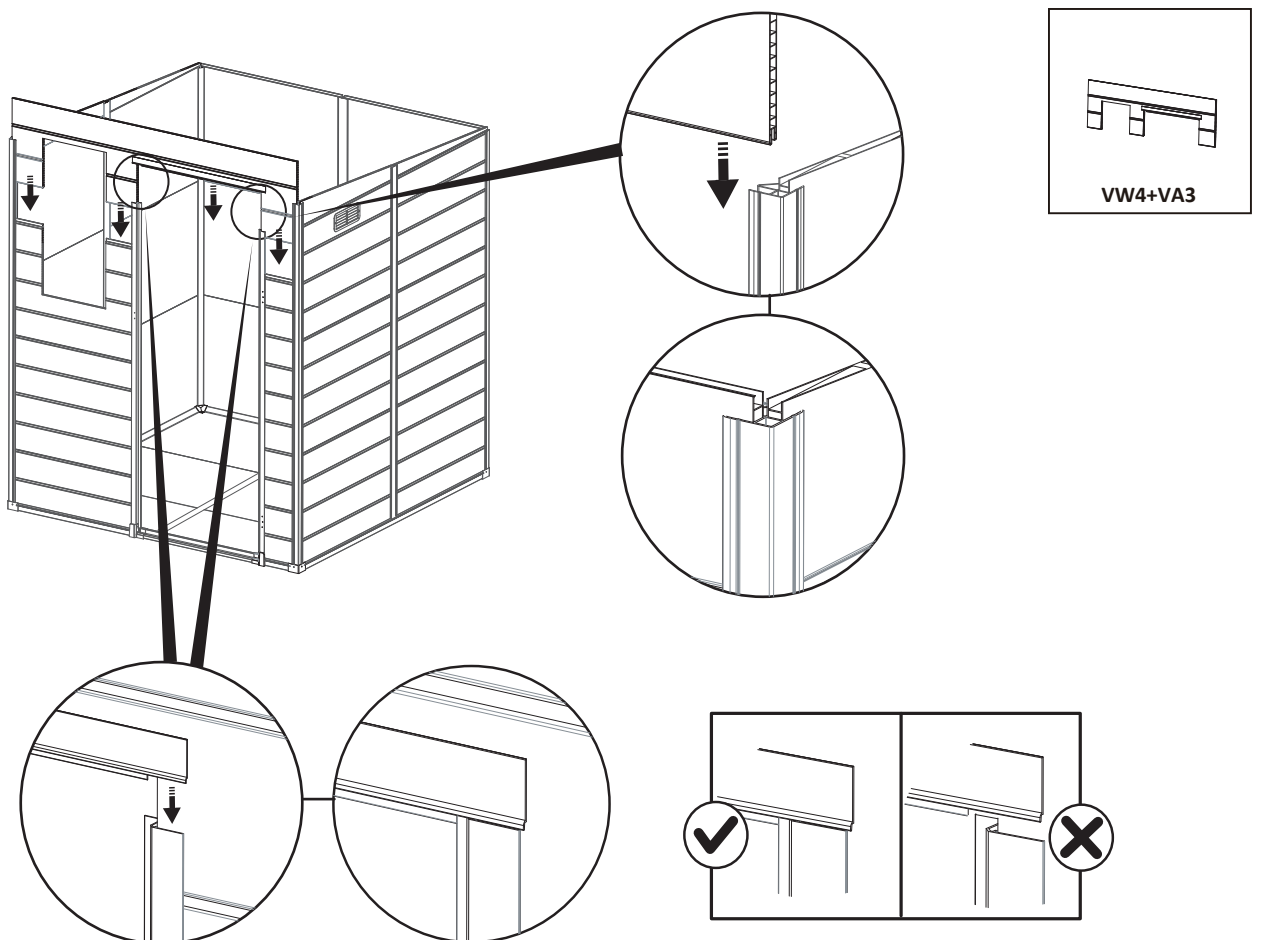


<b>CA1R</b>  1 PC
<b>VA1L</b>  1 PC
<b>Z410</b>  2 PC

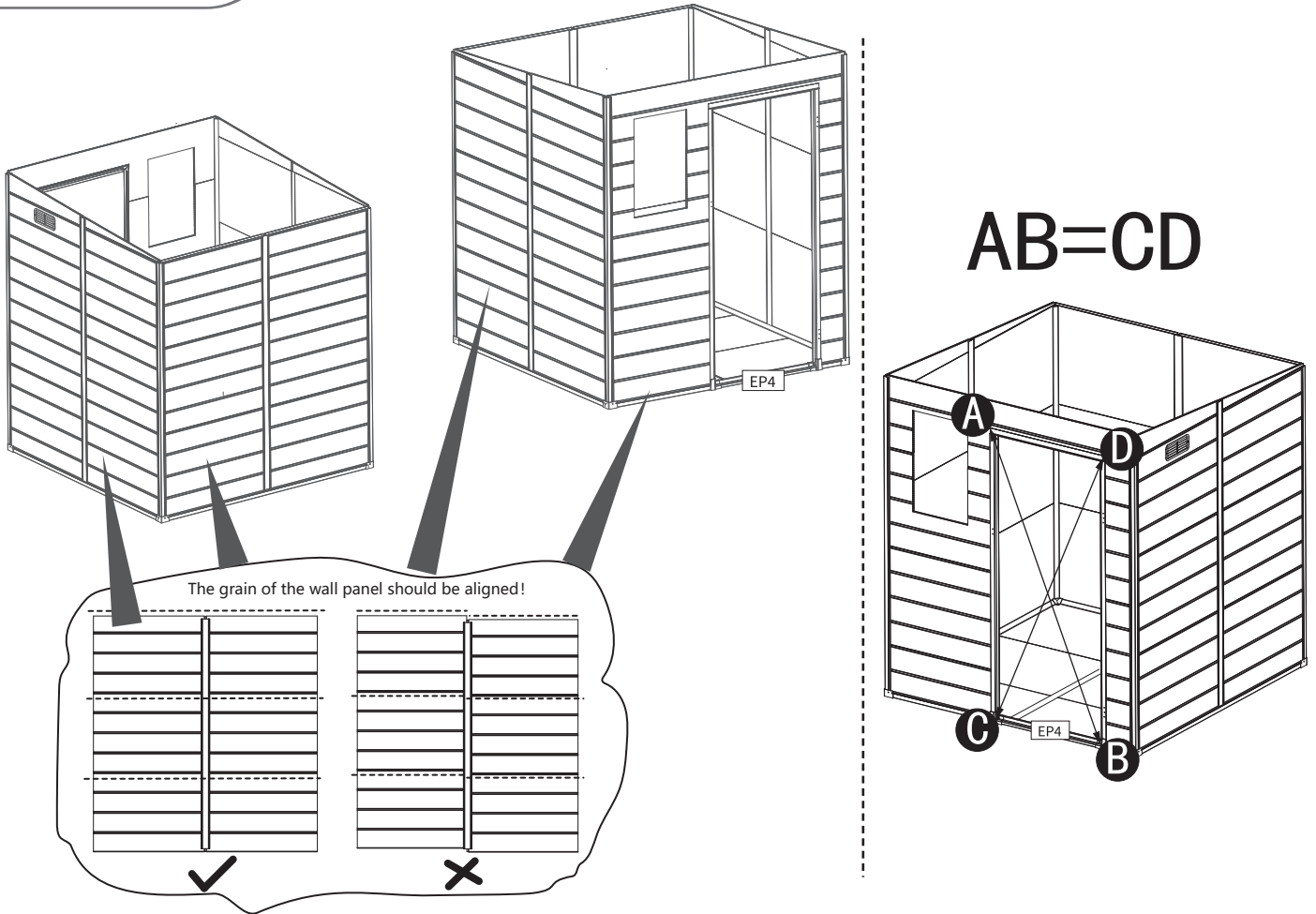
# STEP 24



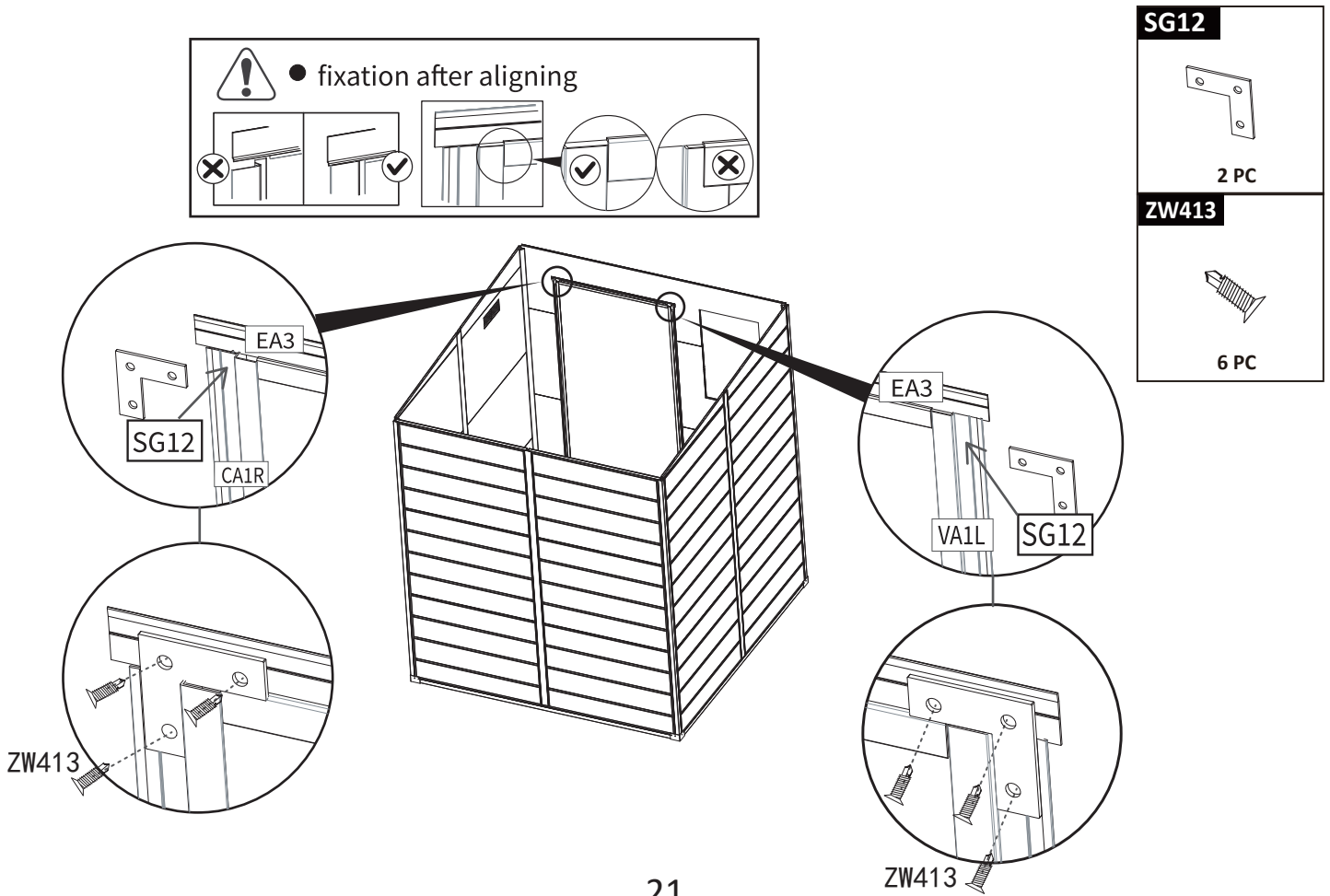
# STEP 25



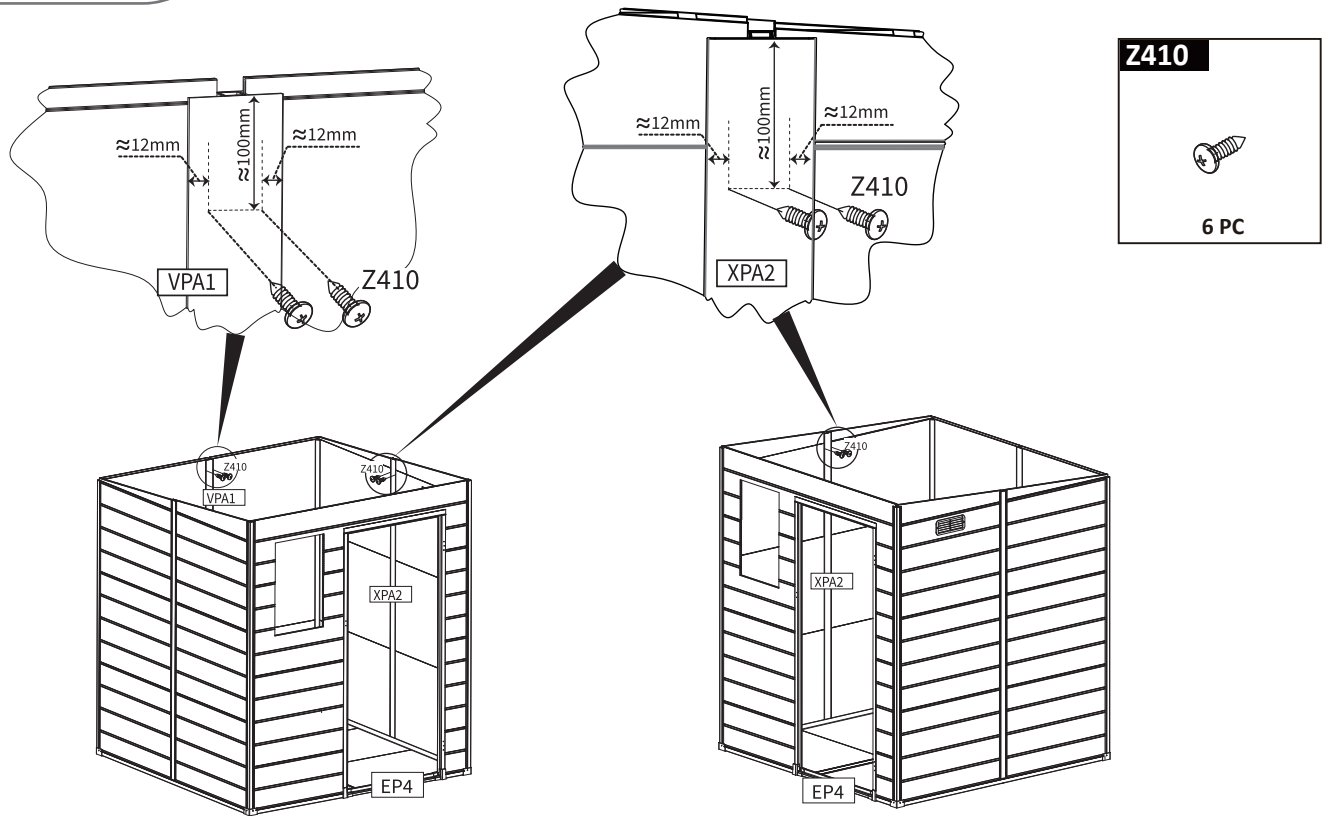
# STEP 26



# STEP 27



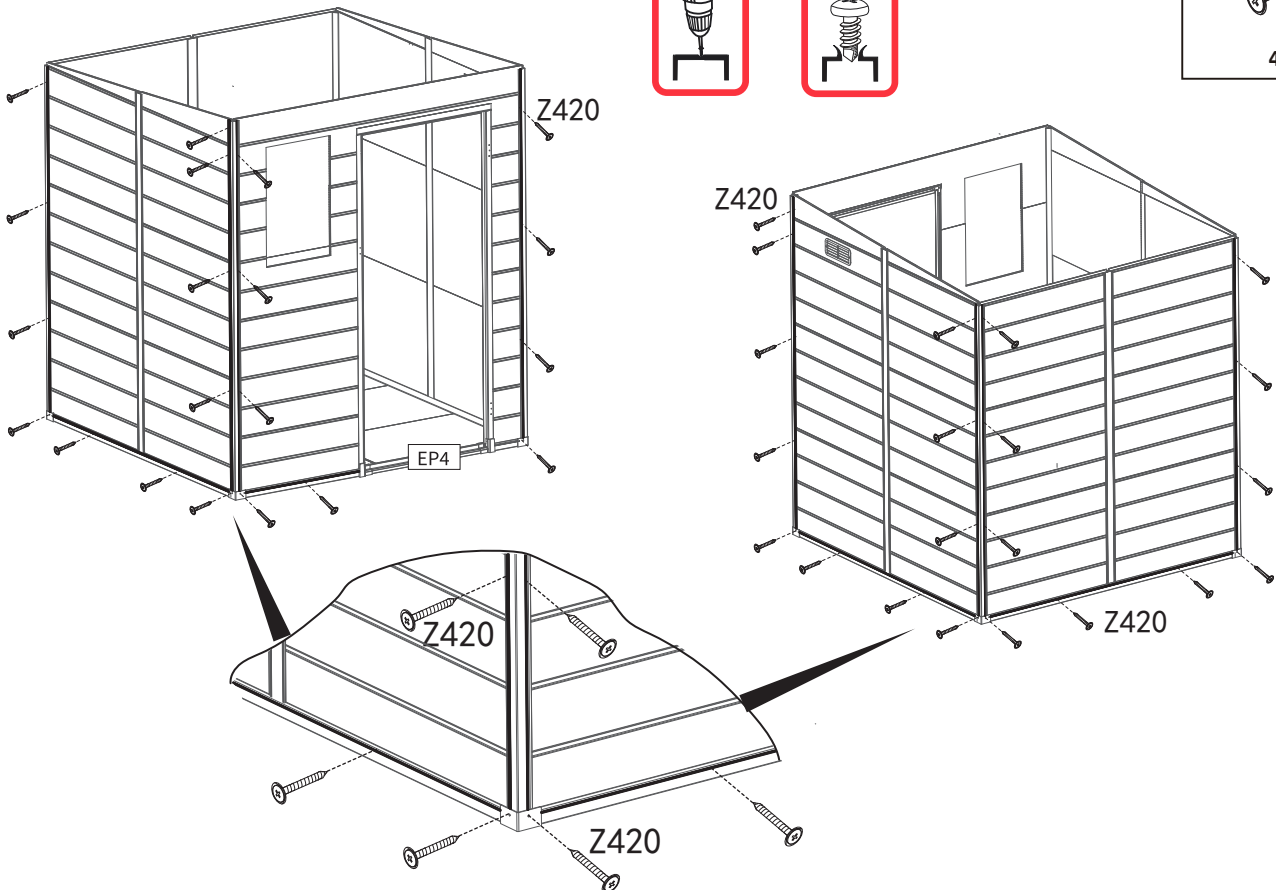
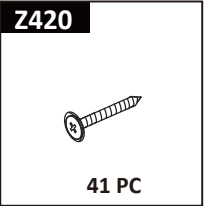
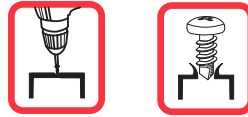
# STEP 28



# STEP 29

Caution:

Please use Drill to predrill a hole at depth 1mm before screw.

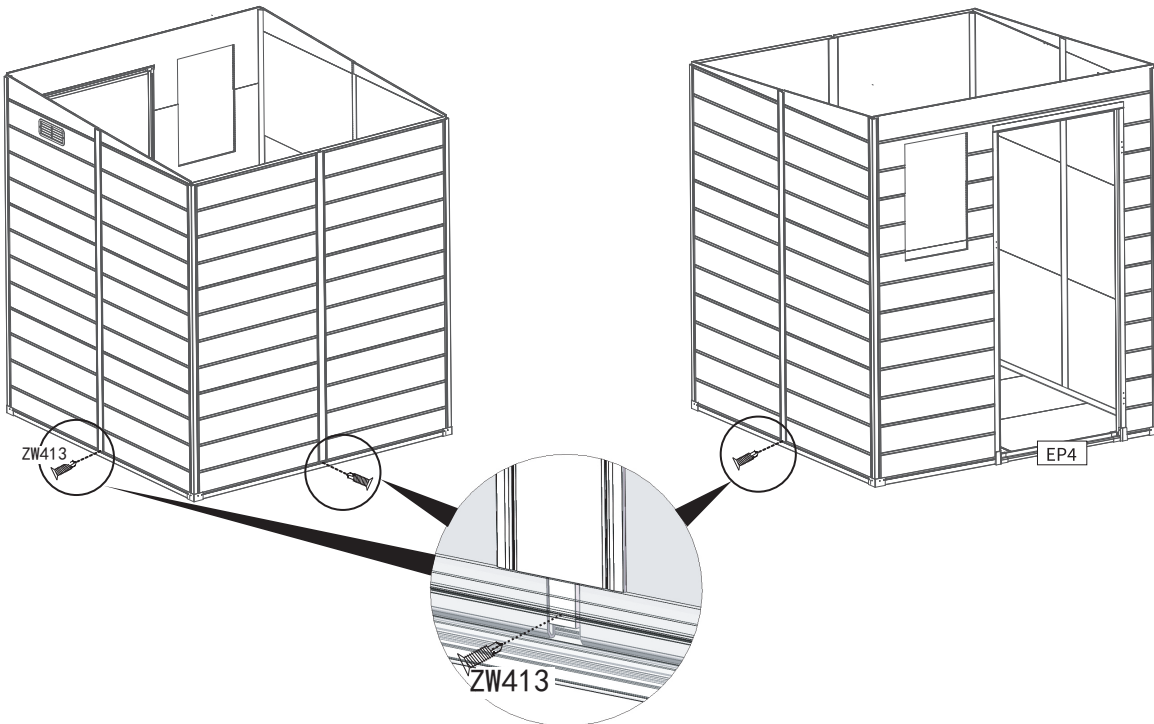


# STEP 30

ZW413

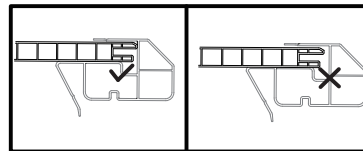


3 PC



Attention to the location of the screws: they need to be locked on the iron pipe that corresponds to the inside of the plastic profile.

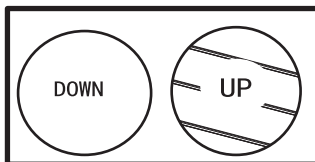
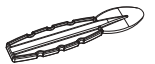
# ROOF PARTS



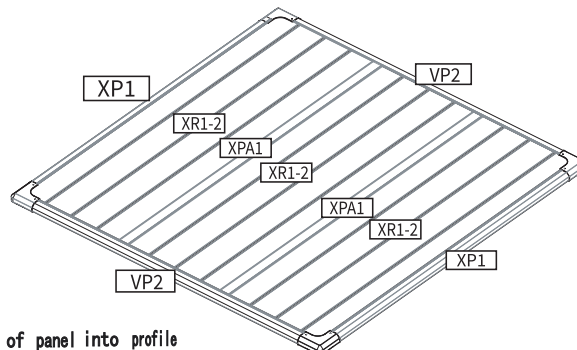
Fully fit the panel inside the profile



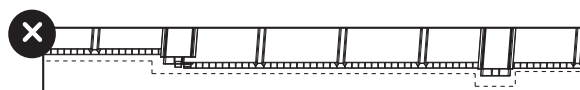
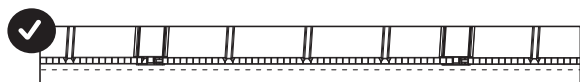
SG8



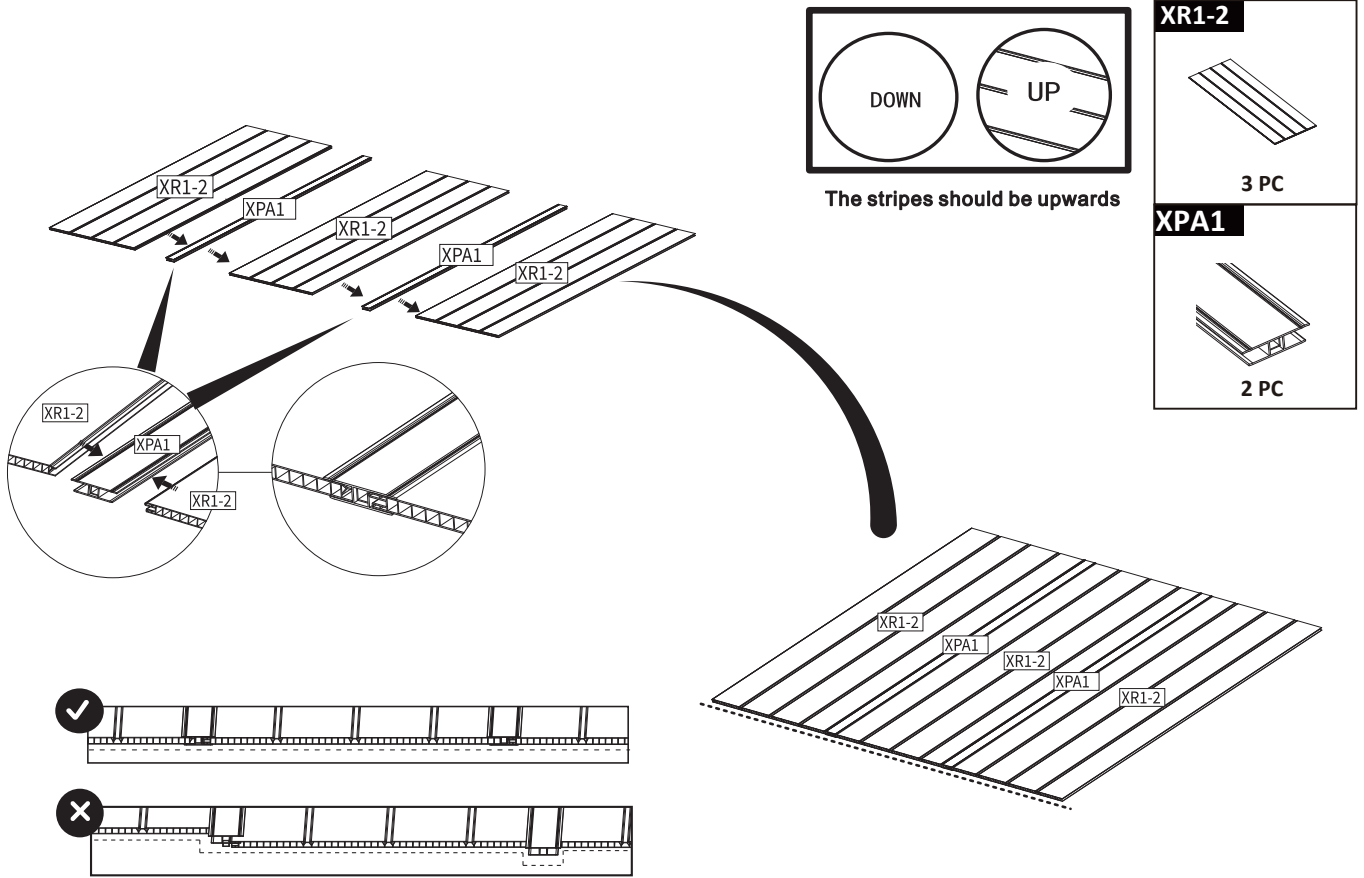
The stripes should be upwards



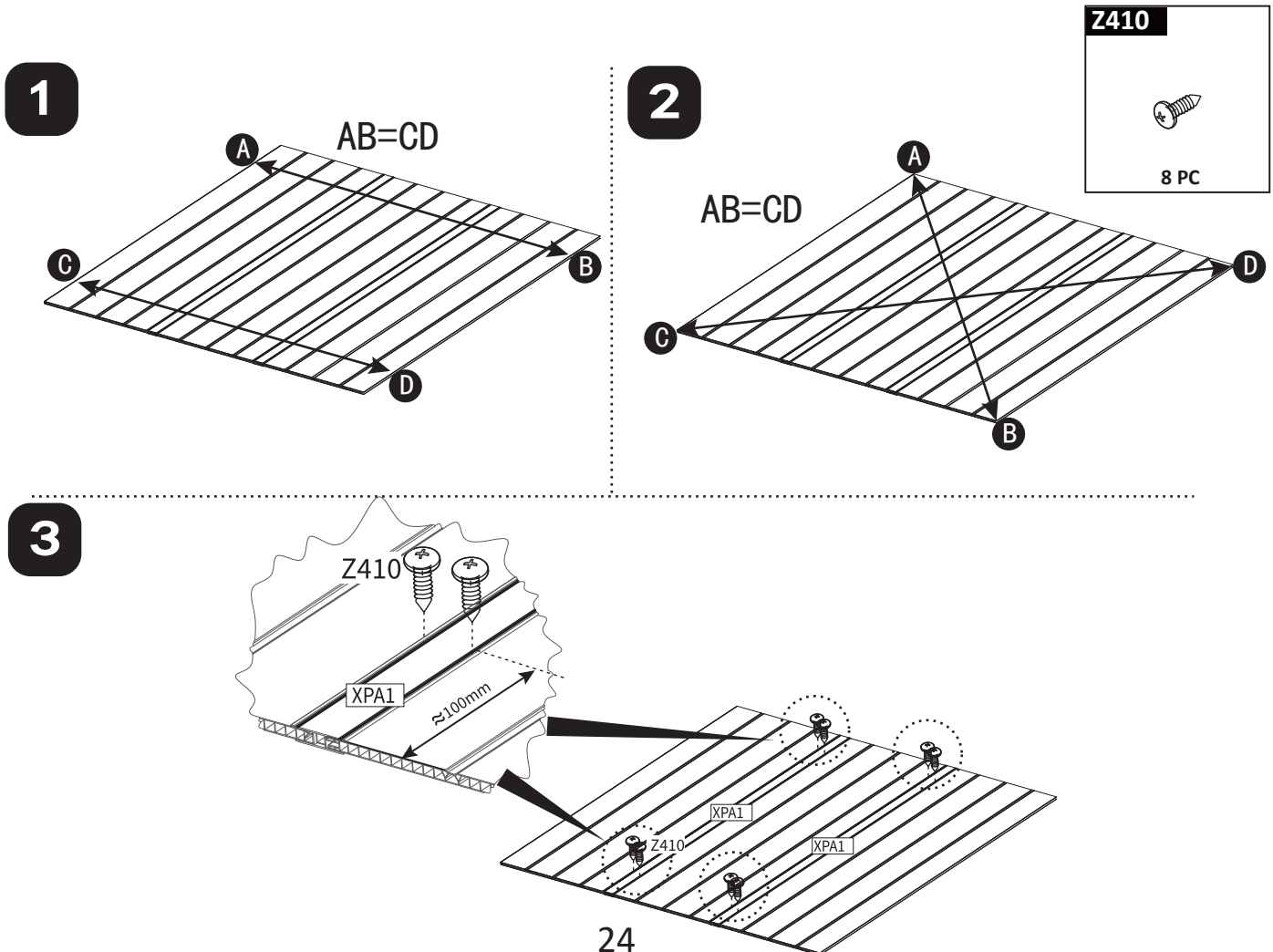
● Use spatula (part "SG8") for easier insertion of panel into profile



# STEP 31

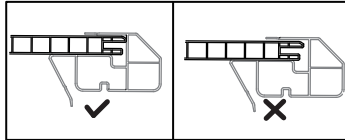
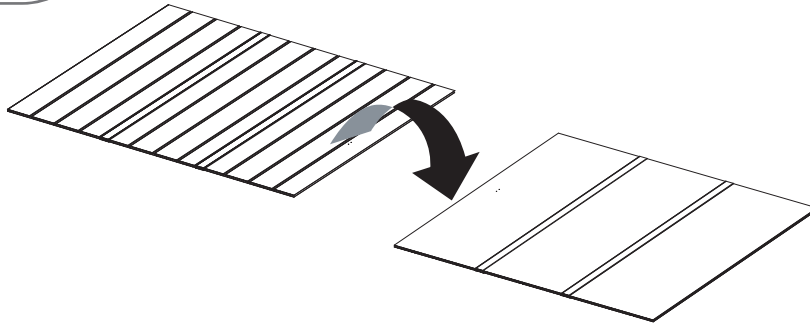


# STEP 32



# STEP 33

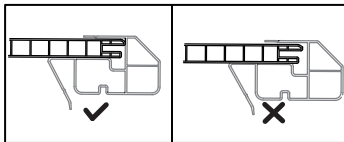
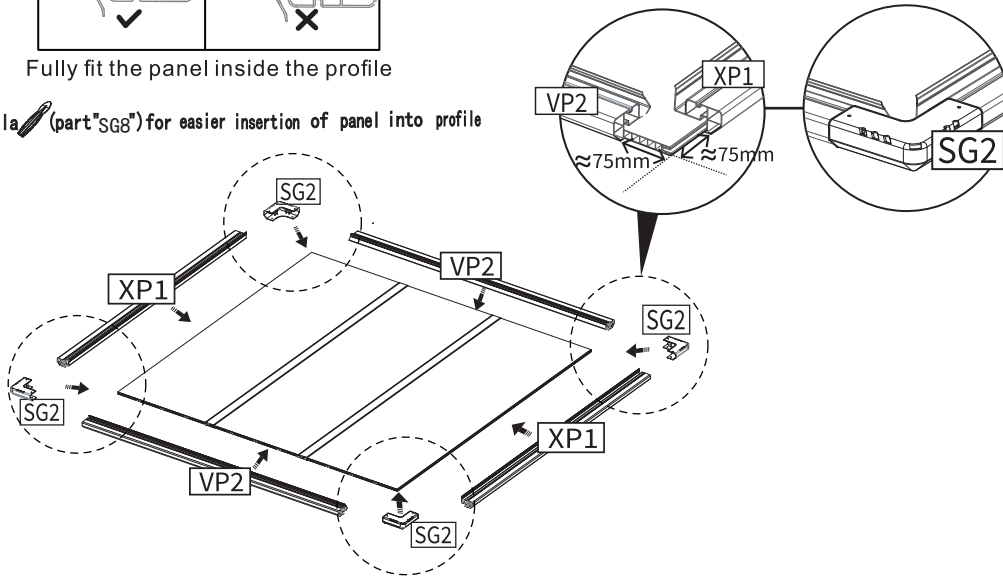
1



Fully fit the panel inside the profile

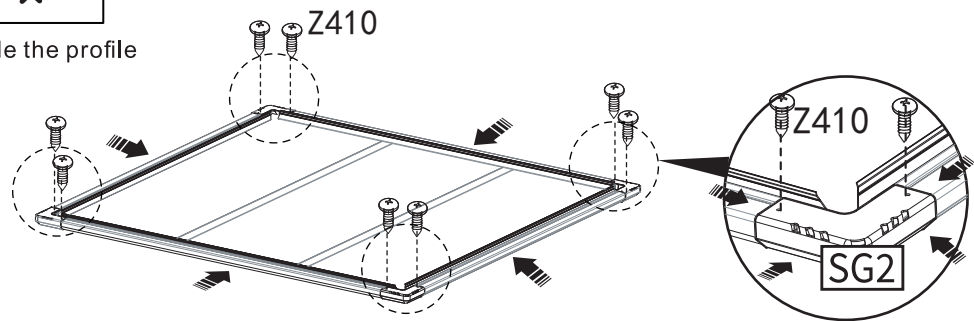
• Use spatula (part "SG8") for easier insertion of panel into profile

2

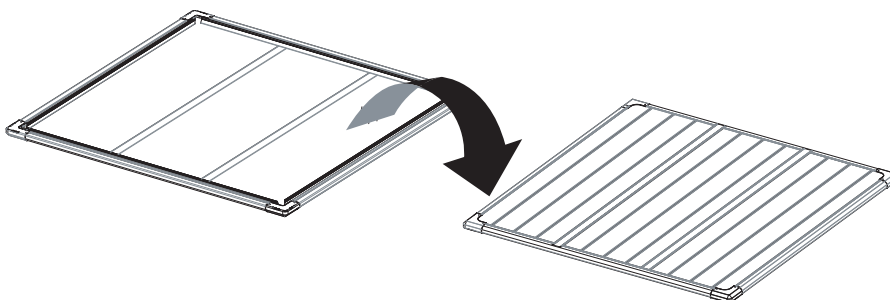


Fully fit the panel inside the profile

3



4

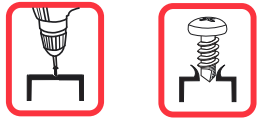


<b>Z410</b>		8 PC
<b>XP1</b>		2 PC
<b>VP2</b>		2 PC
<b>SG2</b>		4 PC
<b>SG8</b>		

# STEP 34

Caution:

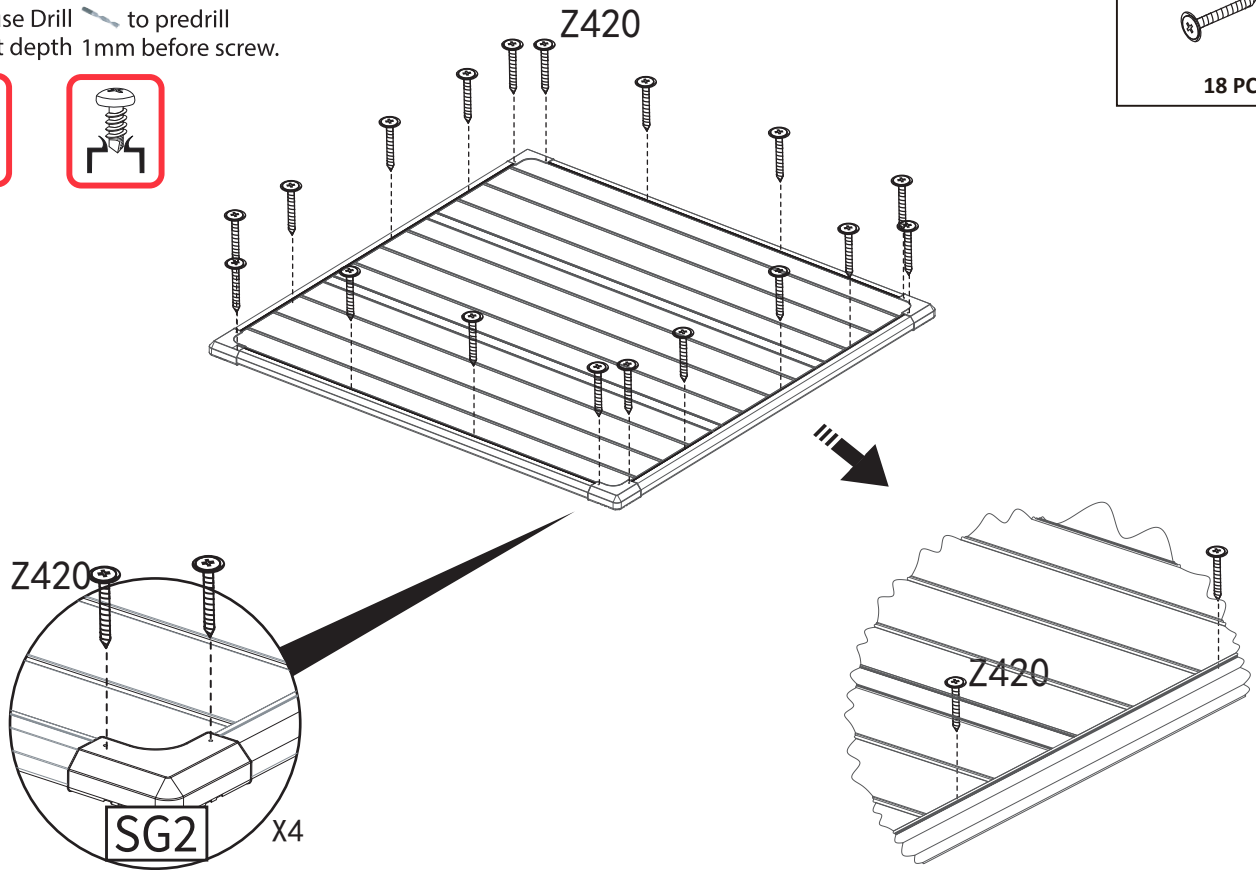
Please use Drill  to predrill a hole at depth 1mm before screw.



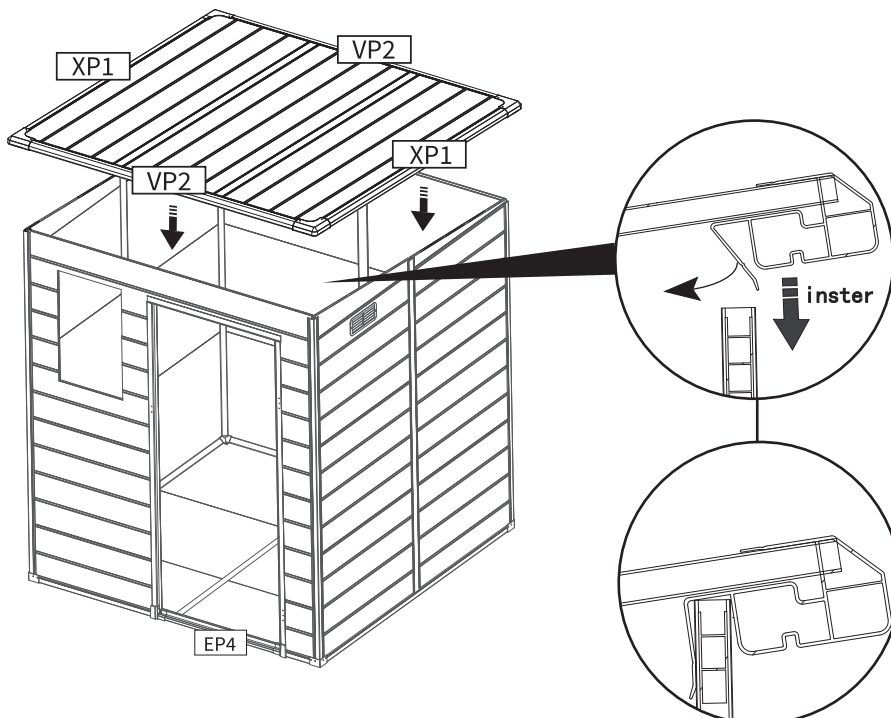
Z420



18 PC



# STEP 35

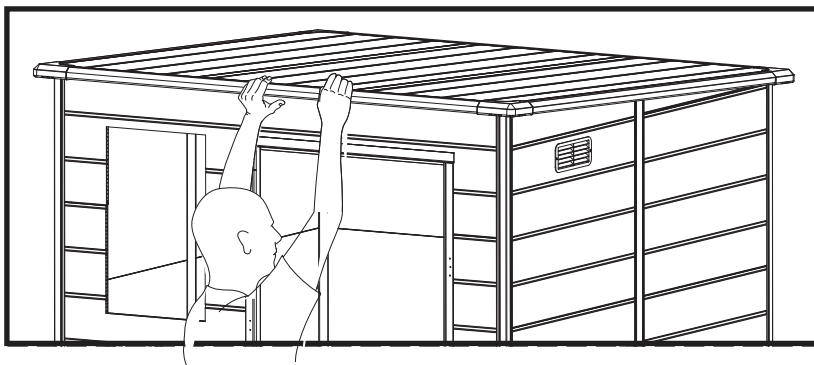
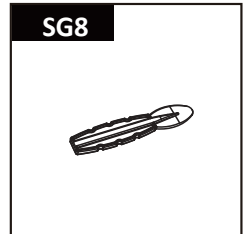
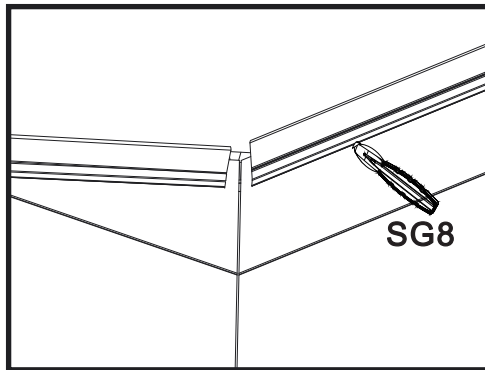
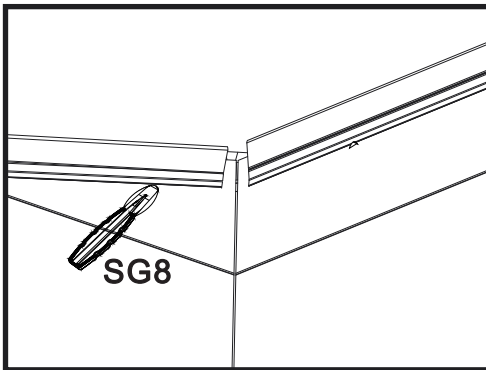
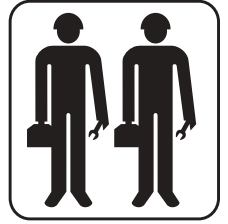


Fully fit the panel inside the profile

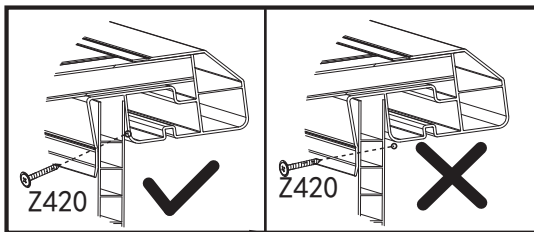
# STEP 36

## Fully fit the panels inside the profiles of roof

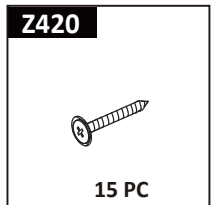
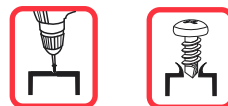
● Use spatula (part "SG8") for easier insertion of panel into profile



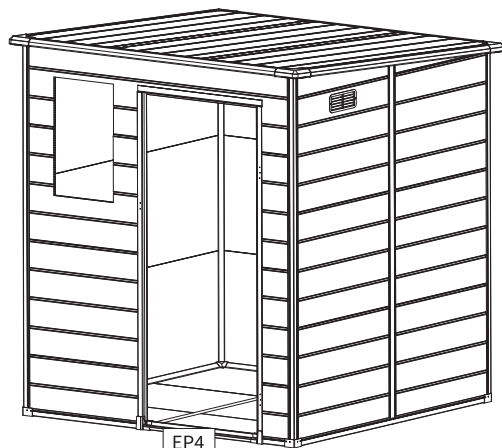
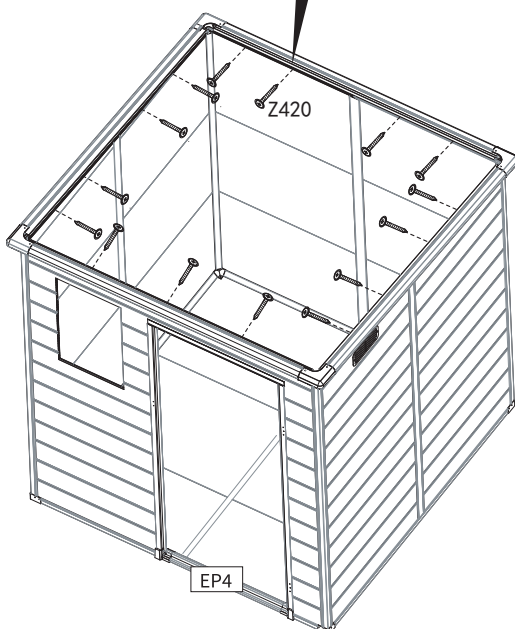
# STEP 37



Caution:  
Please use Drill to predrill a hole at depth 1mm before screw.

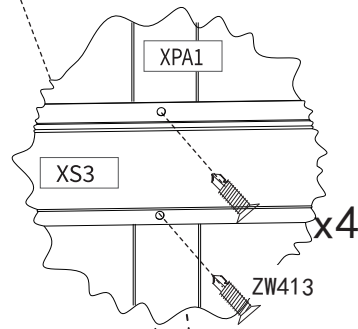
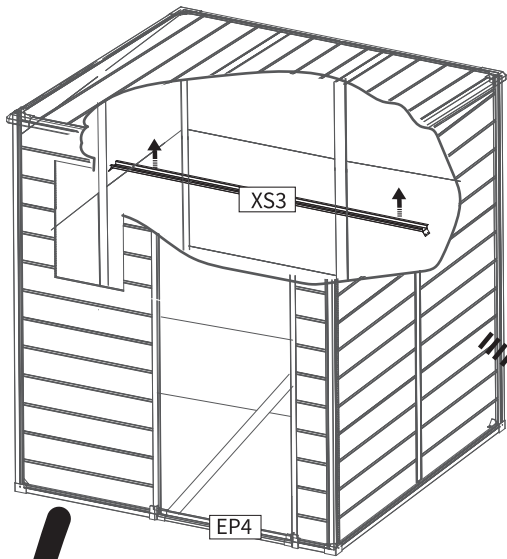


15 PC

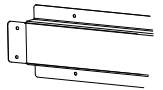


# STEP 38

Attention to the location of the screws: they need to be locked on the iron pipe that corresponds to the inside of the plastic profile.



**XS3**



1 PC

**ZW413**

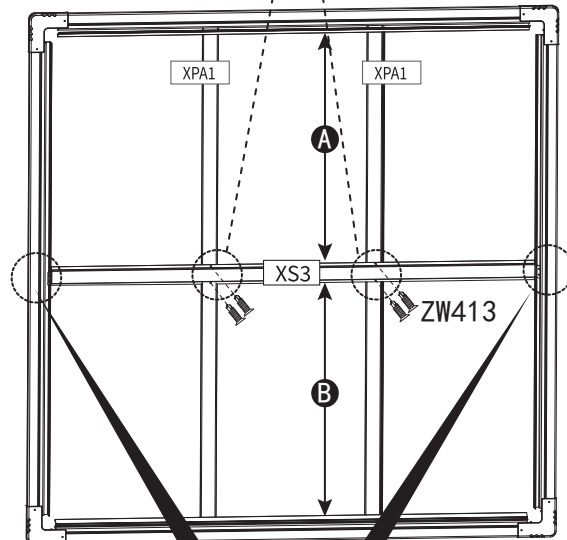


4 PC

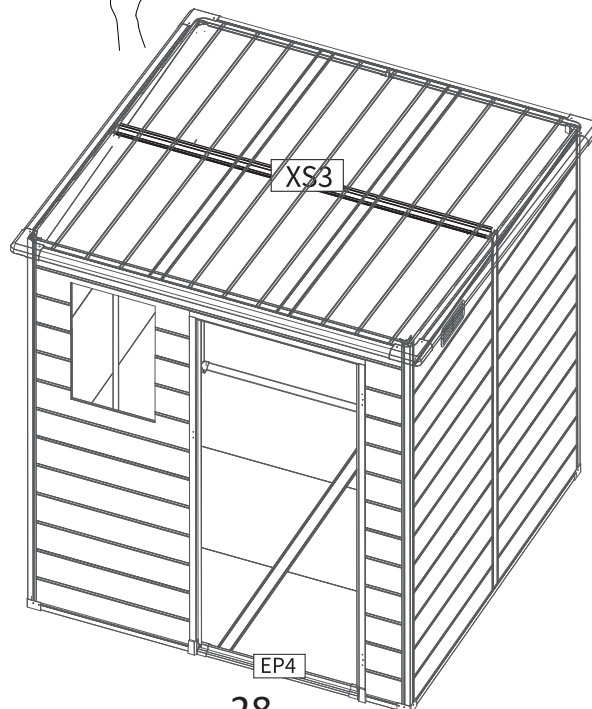
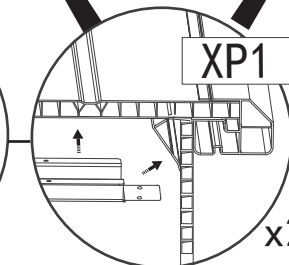
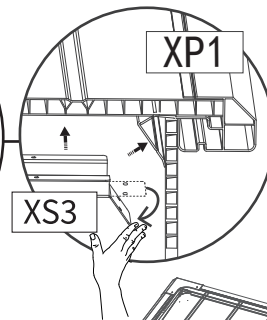
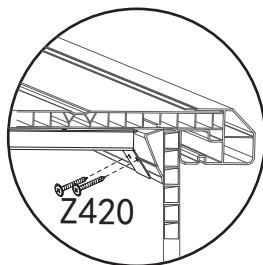
**Z420**



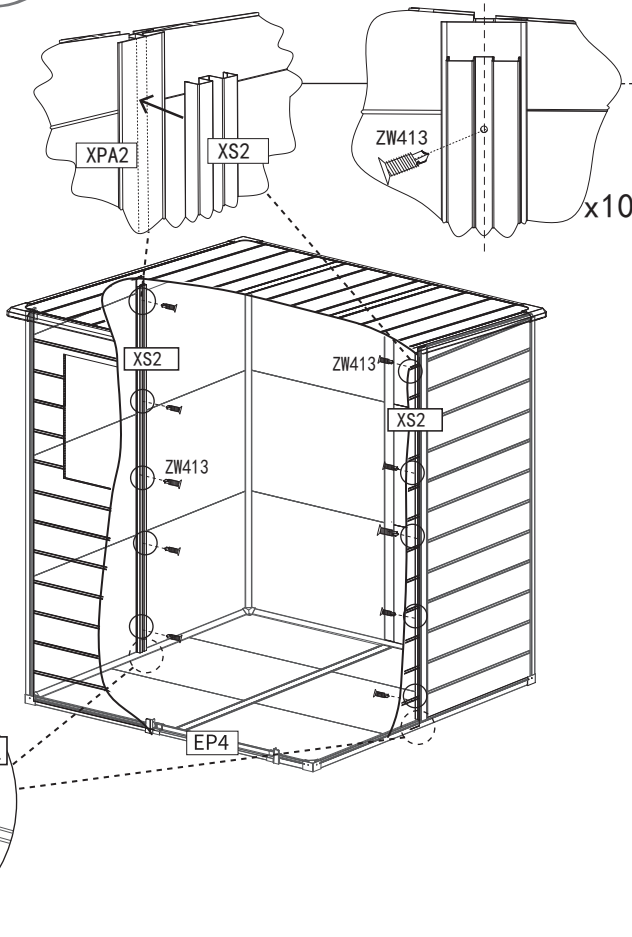
4 PC





A=B



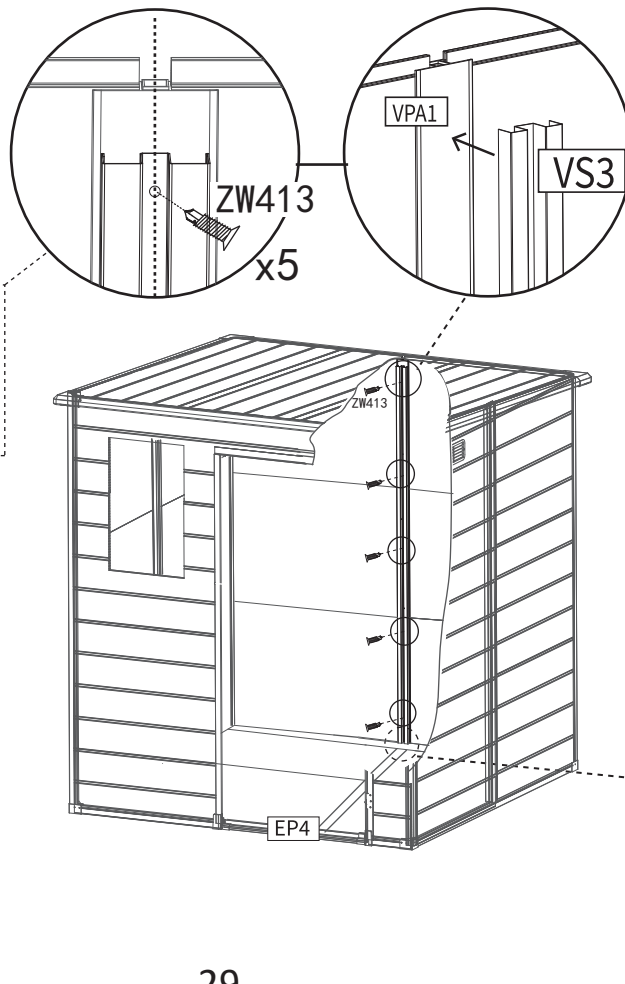
# STEP 39





Attention to the location of the screws: they need to be locked on the iron pipe that corresponds to the inside of the plastic profile.

<b>XS2</b>

2 PC
<b>ZW413</b>

10 PC

# STEP 40

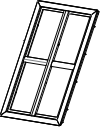
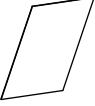
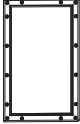



Attention to the location of the screws: they need to be locked on the iron pipe that corresponds to the inside of the plastic profile.

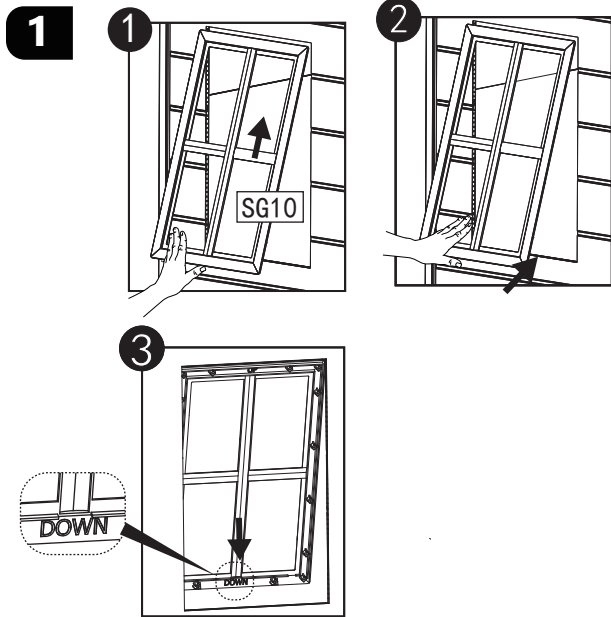
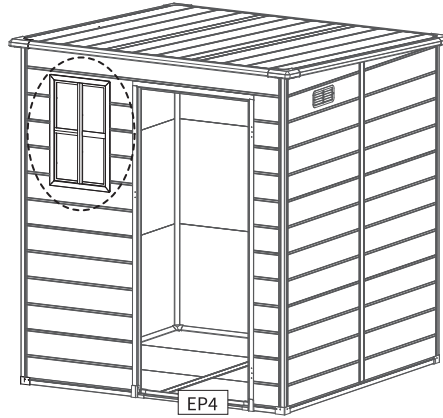
<b>VS3</b>

1 PC
<b>ZW413</b>

5 PC

# STEP 41 Window section

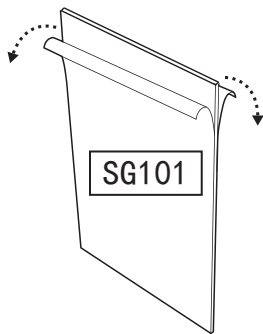


<b>SG10</b>		1 PC
<b>SG101</b>		1 PC
<b>SG102</b>		1 PC
<b>Z410</b>		16 PC

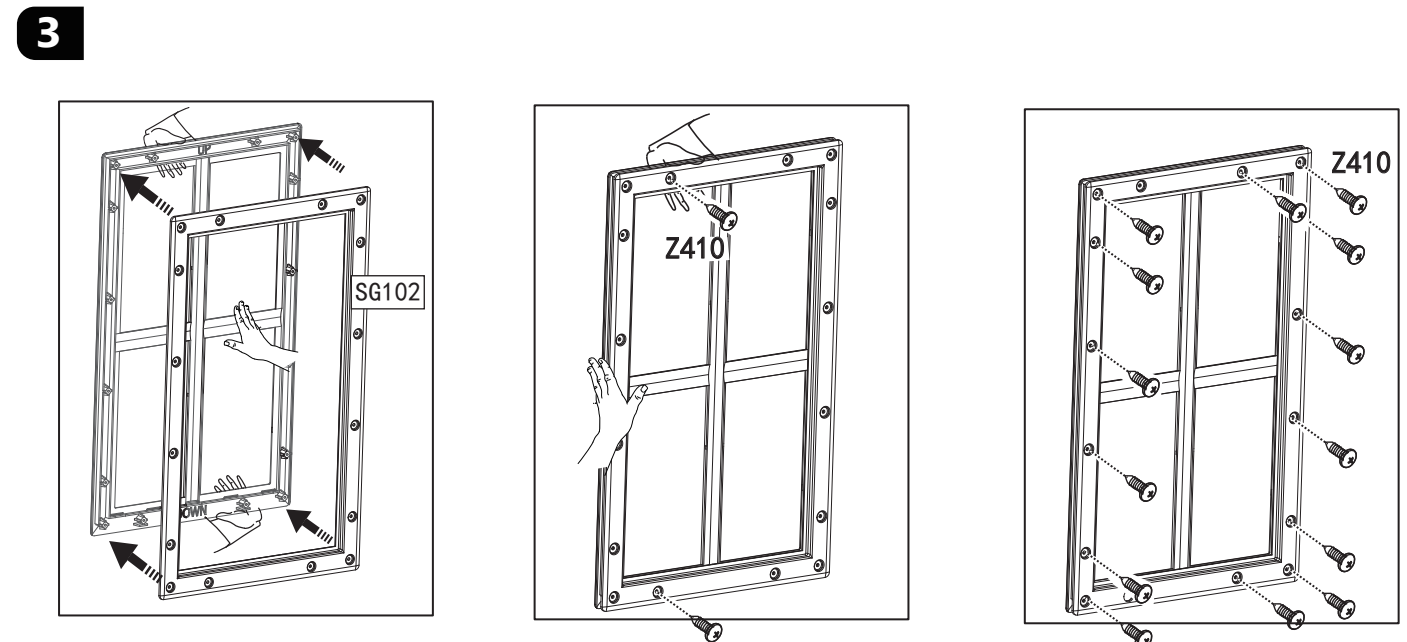
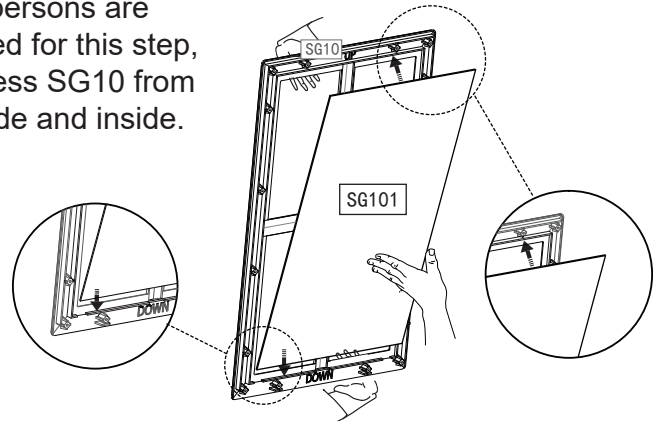
How the Windows look when they are installed



- 2**
- Remove the film before fixing SG101



- Two persons are needed for this step, to press SG10 from outside and inside.



# DOOR SECTION



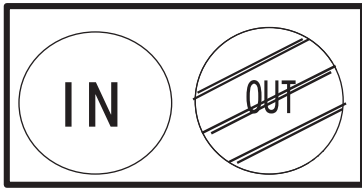
Door mount this is above

UP

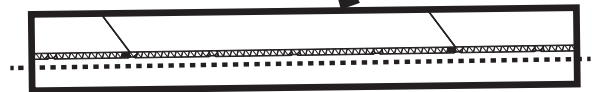
VD1-1

VD1-2

VD1-3

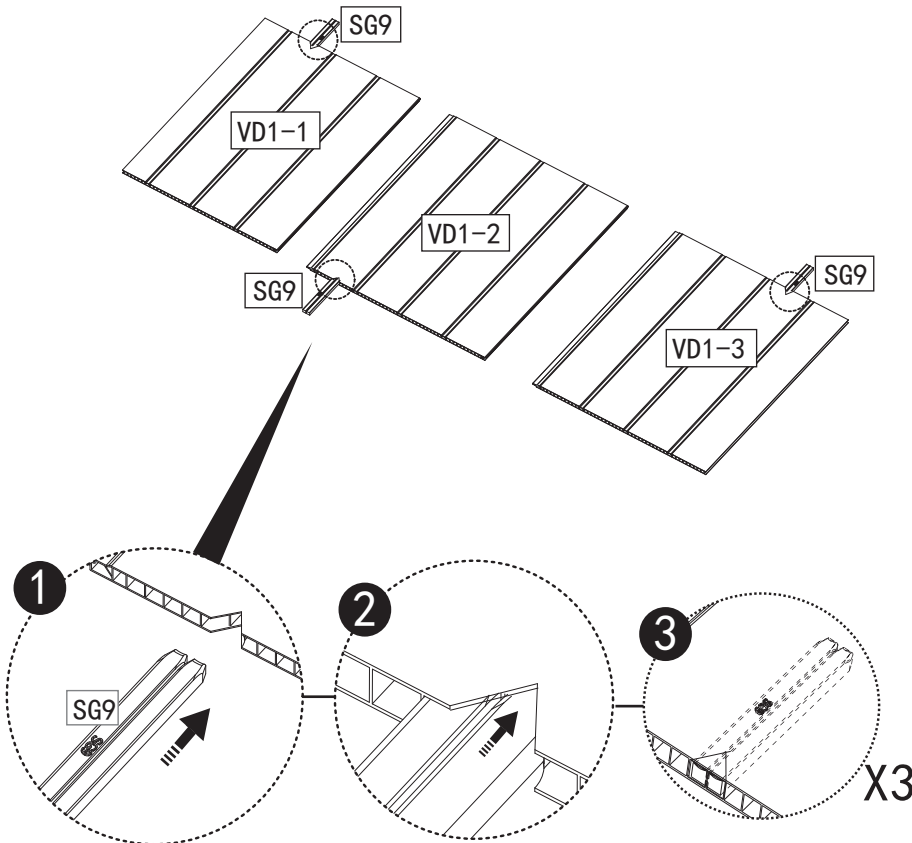


The stripes should be outside



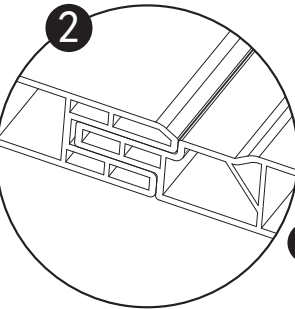
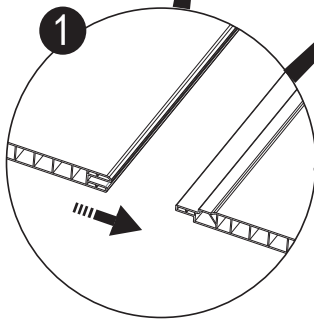
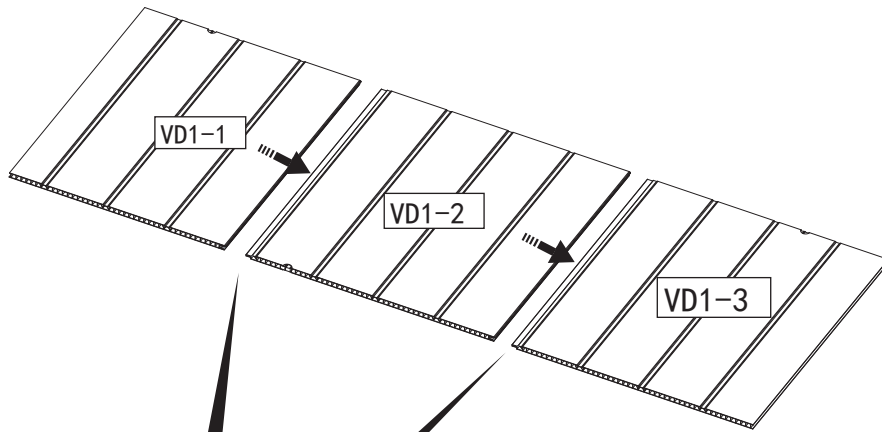
The boards must be straight

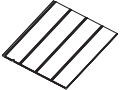
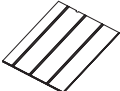

## STEP 42

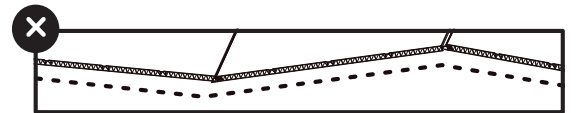
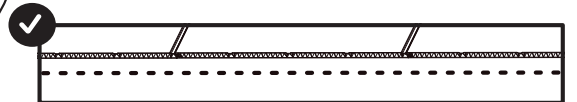


<b>VD1-2</b>		1 PC
<b>VD1-1</b>		1 PC
<b>VD1-3</b>		1 PC
<b>SG9</b>		3 PC

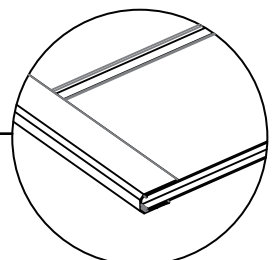
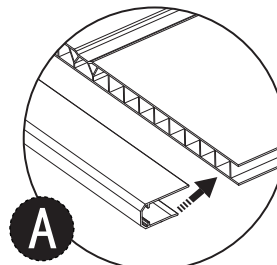
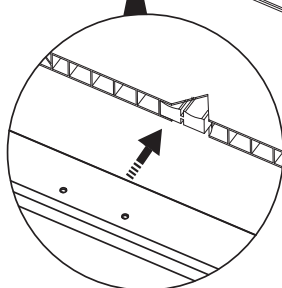
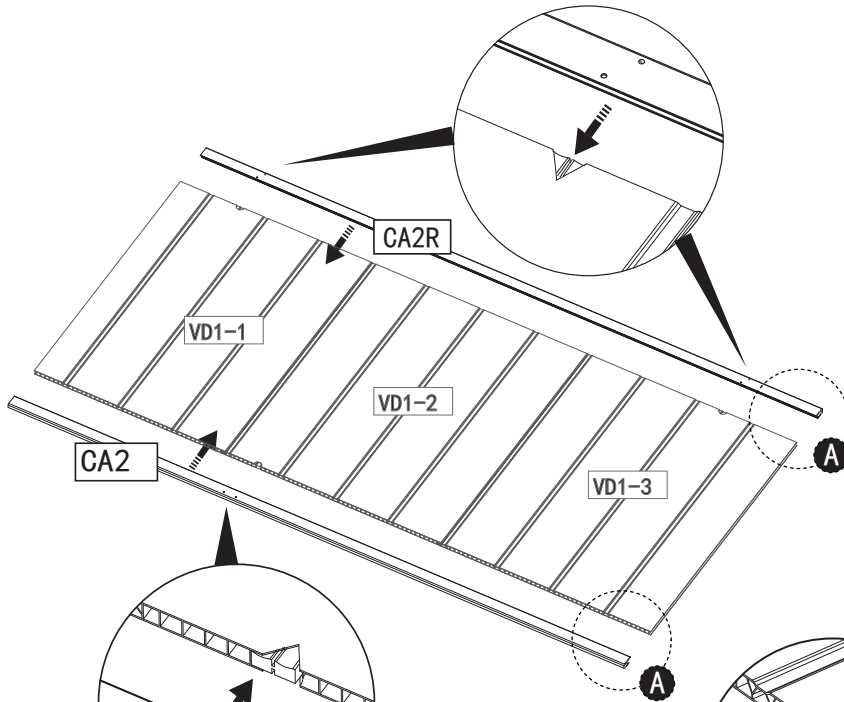
# STEP 43

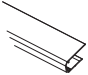
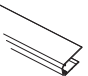


	VD1-2 + SG9
	VD1-1 + SG9
	VD1-3 + SG9

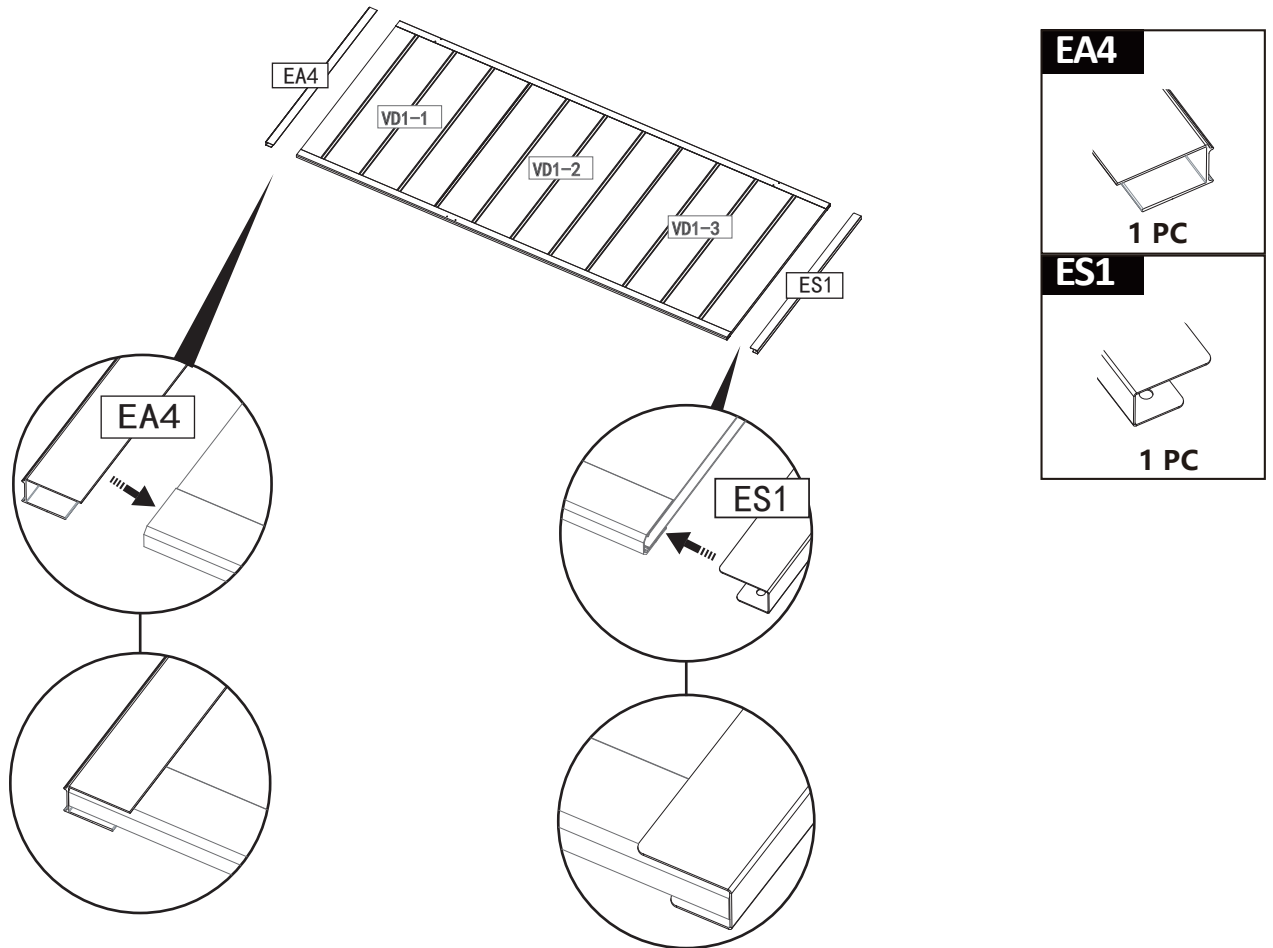


# STEP 44



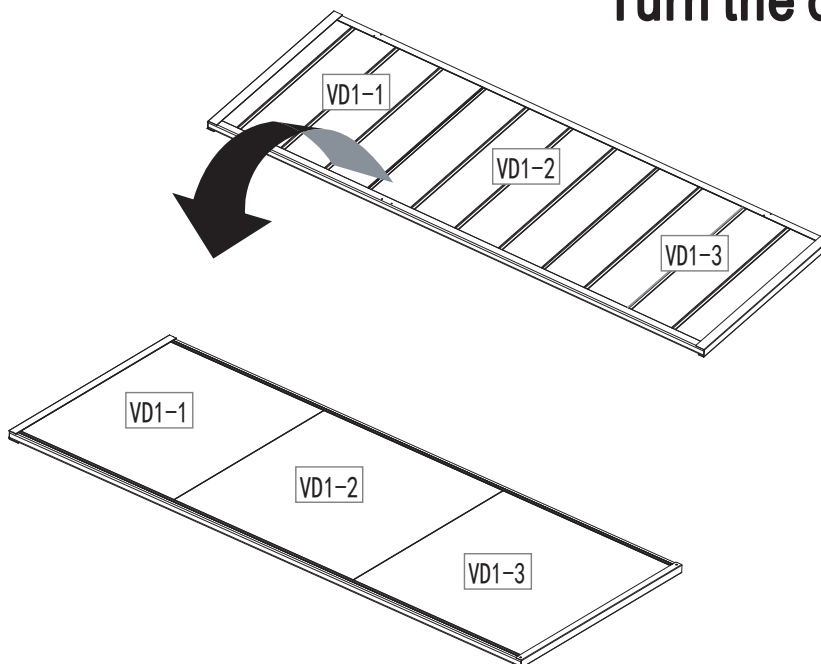
<b>CA2</b>	
1 PC	
<b>CA2R</b>	
1 PC	

# STEP 45

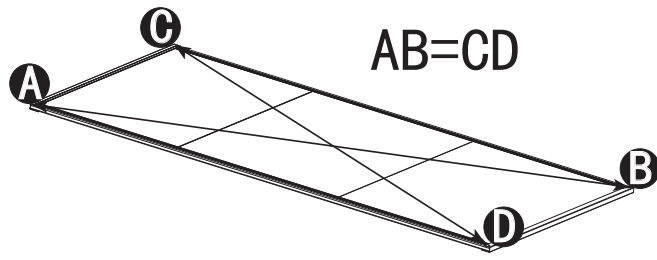


# STEP 46

Turn the doors over



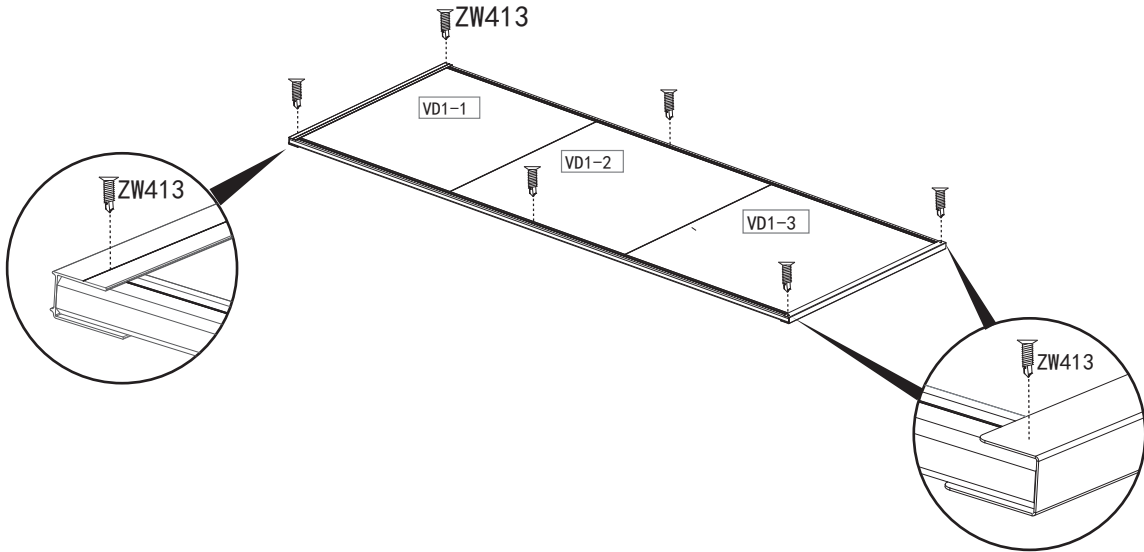
# STEP 47



ZW413

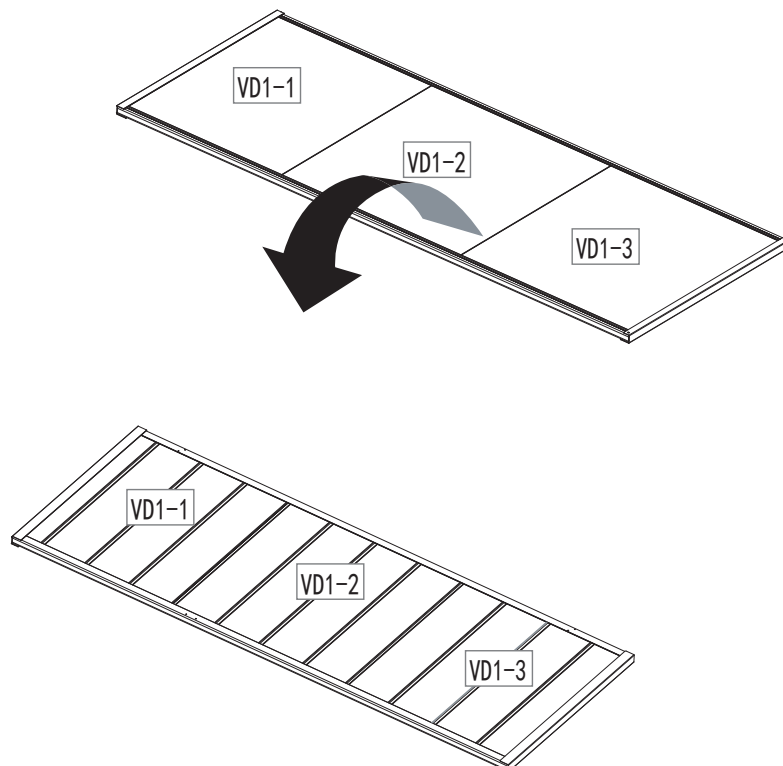


6 PC



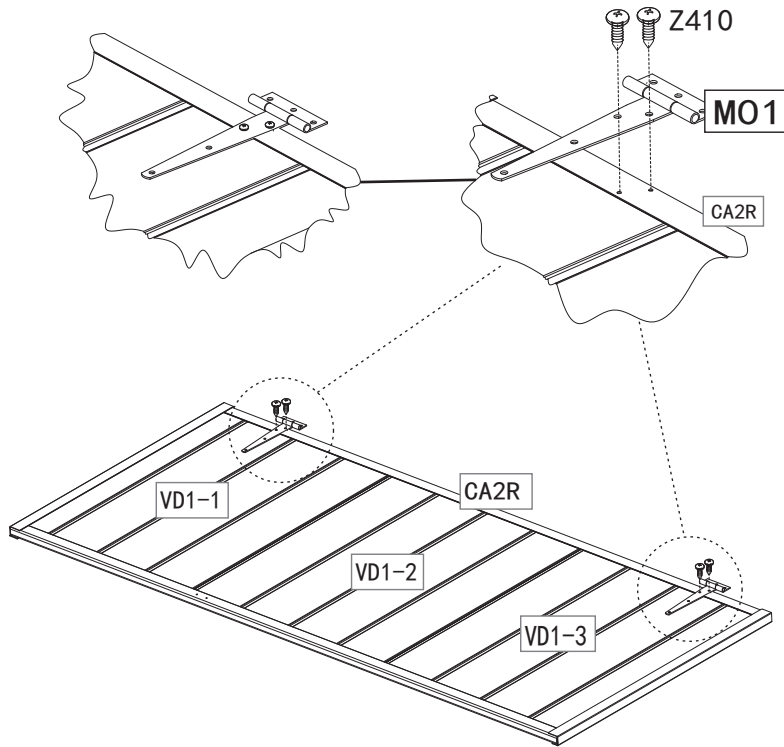
# STEP 48

Turn the doors over



# STEP 49

Don't fasten the screws in this step, to adjust the positions of doors

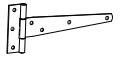


Z410



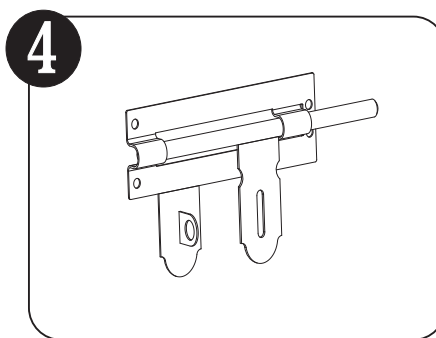
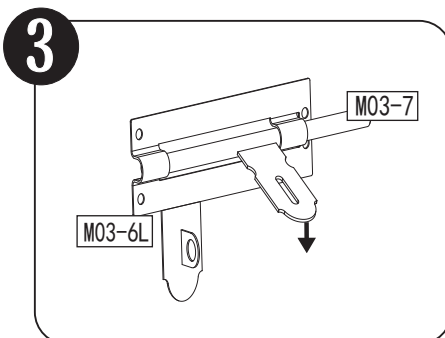
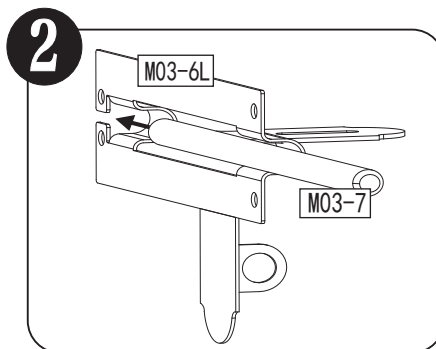
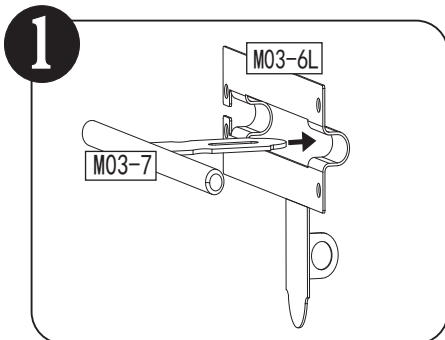
4 PC

MO1

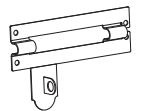


2 PC

# STEP 50

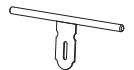


M03-6L



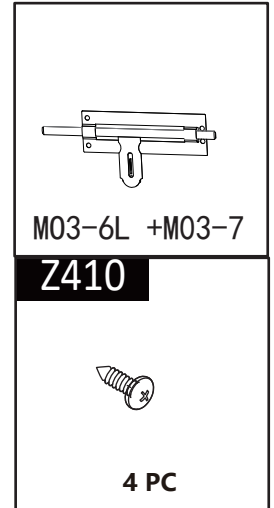
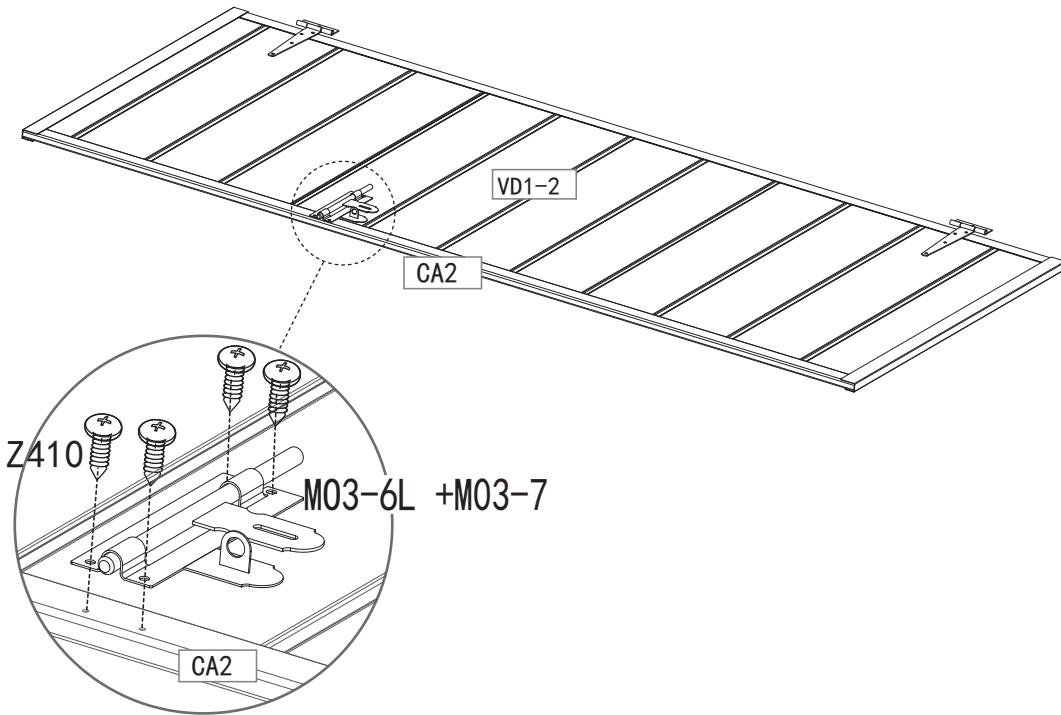
1 PC

M03-7

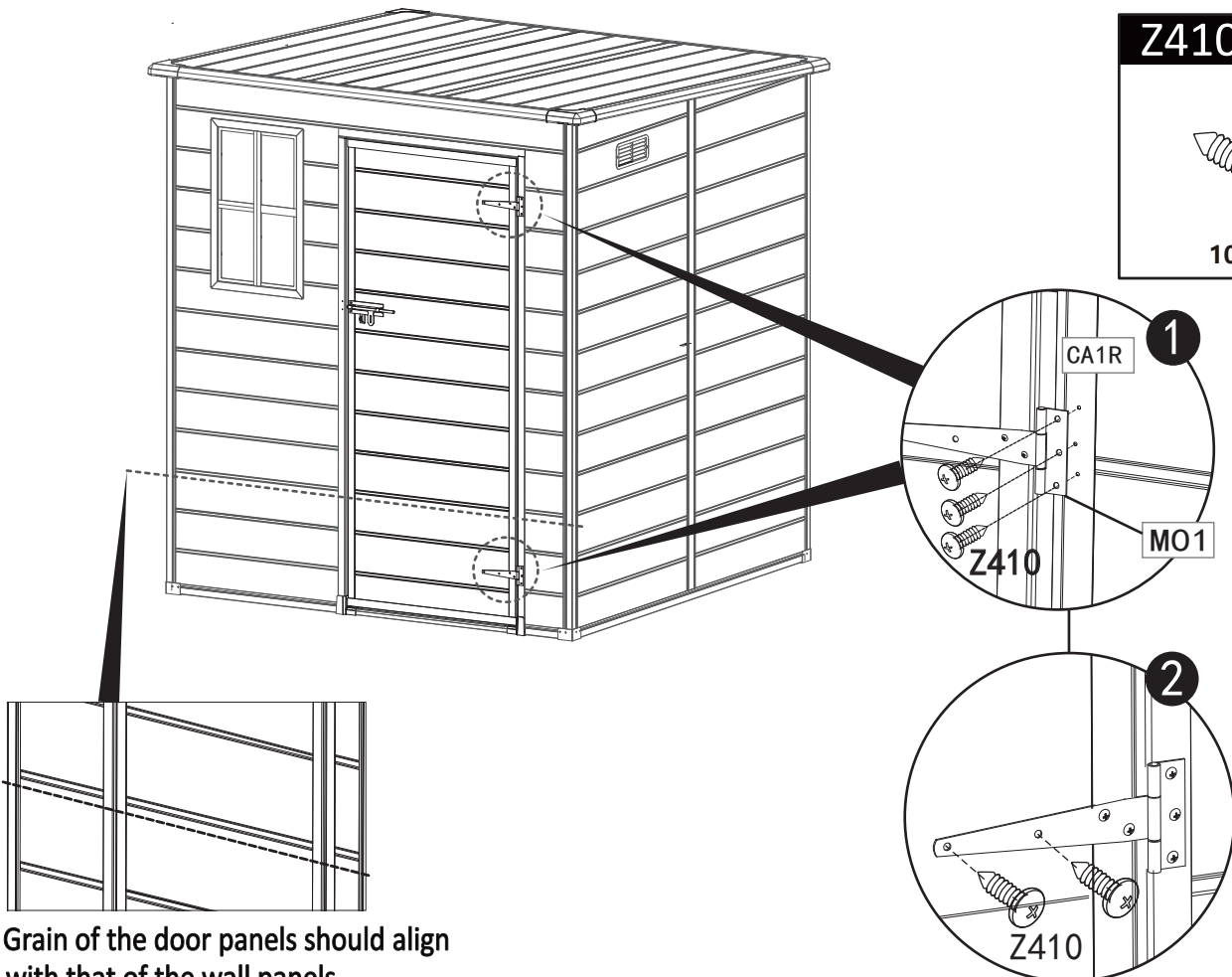


1 PC

# STEP 51



# STEP 52

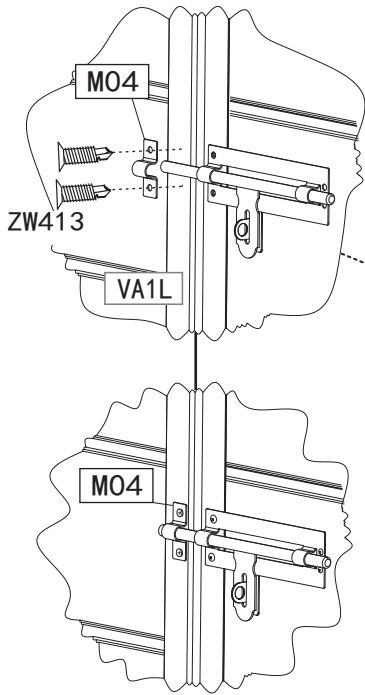


Grain of the door panels should align with that of the wall panels.

Nail the door after place adjustment and fasten all the screws.

# STEP 53

- Make sure the door is properly installed before locking the M04.



**M04**



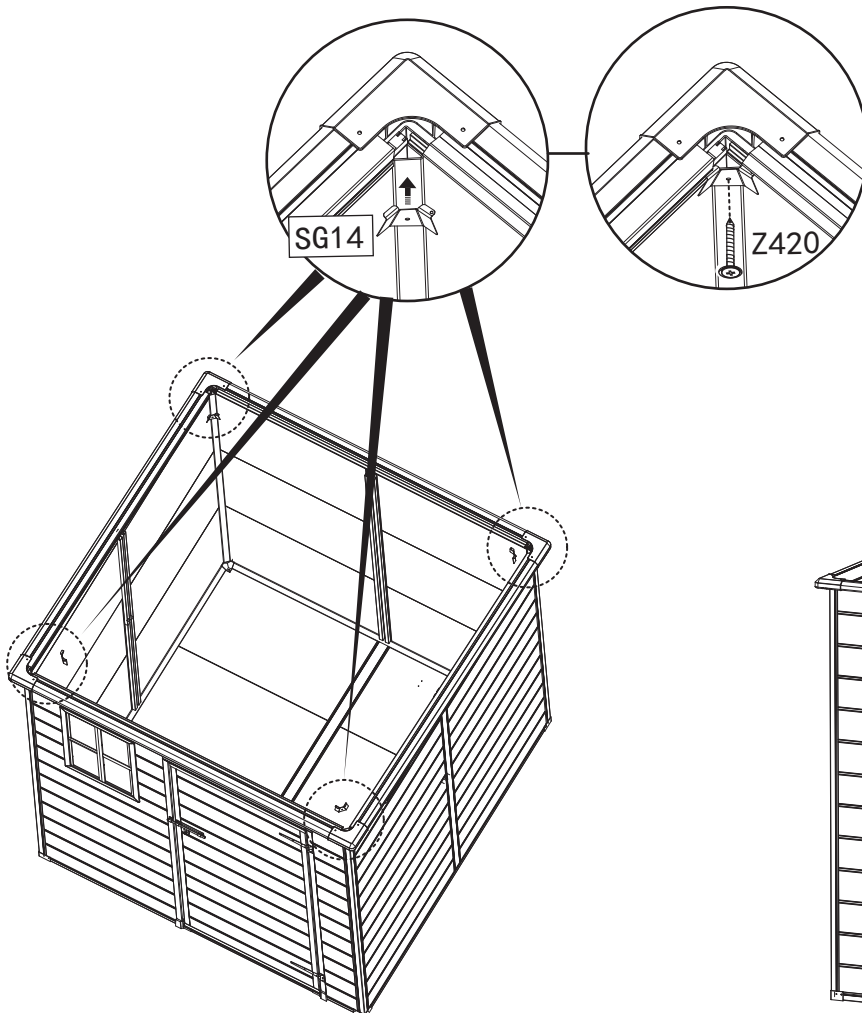
1 PC

**ZW413**



2 PC

# STEP 54



**SG14**



4 PC

**Z420**



4 PC



## AFTER-SALE SERVICE CARD

If you have any suggestions for our products or find that the products have quality problems, please contact us first, our after-sales team will reply you within 24 hours, and we will do our best to give you solutions until you are satisfied.

### Guaranteed Customer Service

Your shopping experience is very important to us!  
Feel unsatisfied? **Contact us!**  
Have any questions? **Contact us!**

Wanna share how wonderful our smart products makes your home?  
Share your pictures with us.  
Any suggestions? **Contact us!**  
We gotcha back!

✉ [Patiofurniture Serviceteam@outlook.com](mailto:Patiofurniture Serviceteam@outlook.com)

