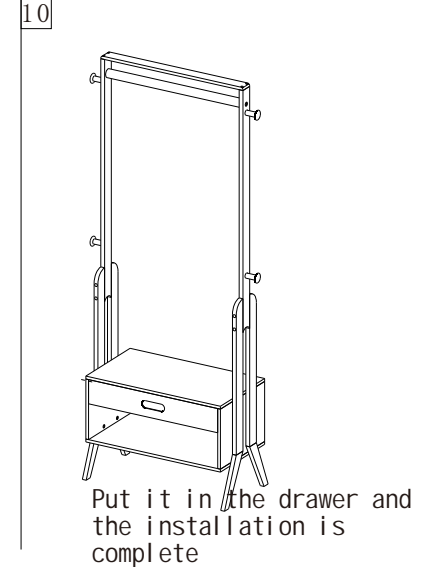
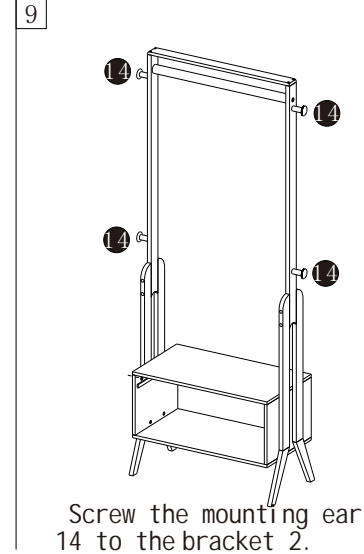
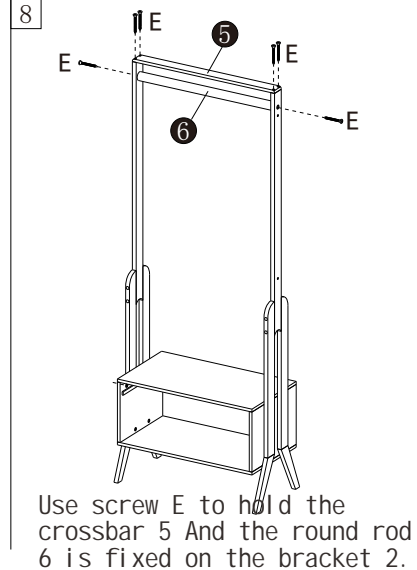
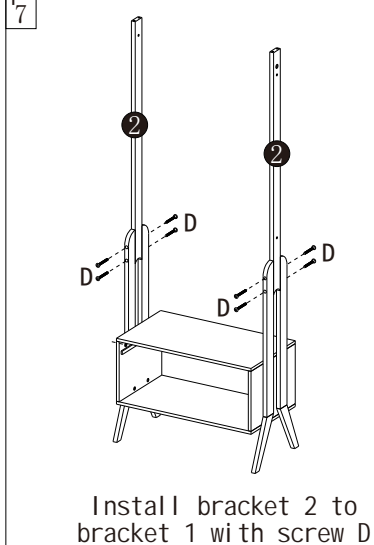
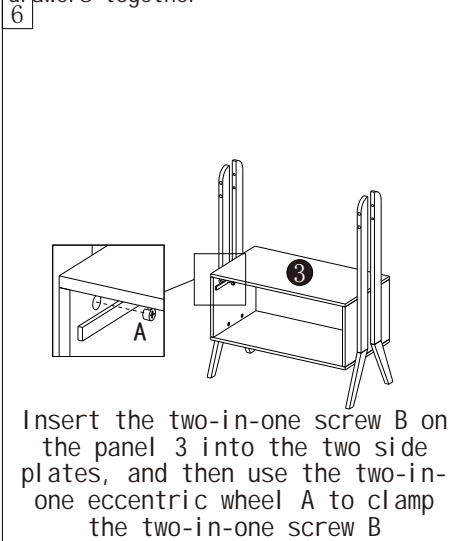
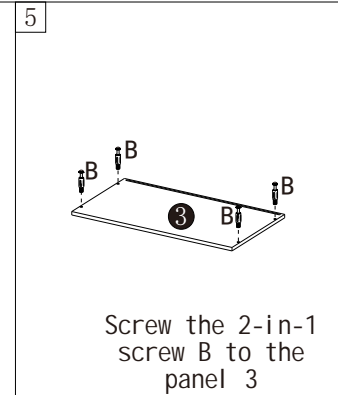
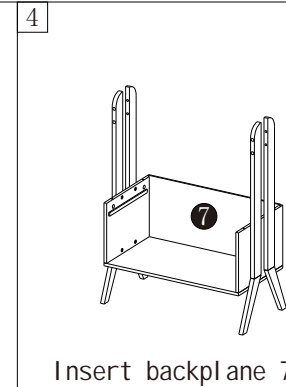
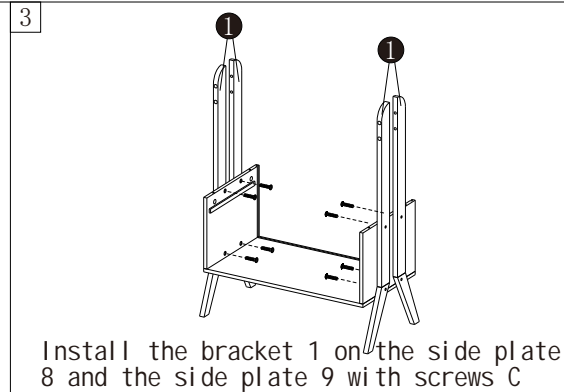
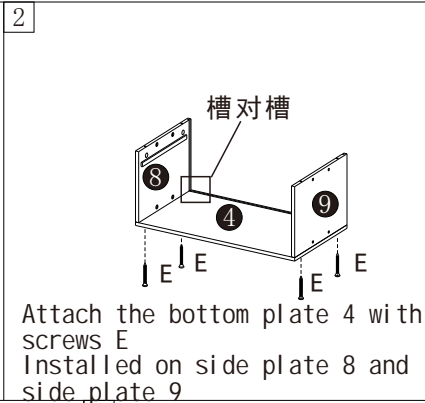
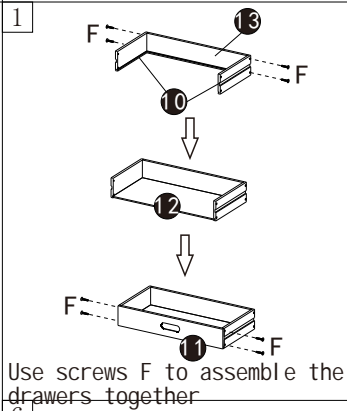
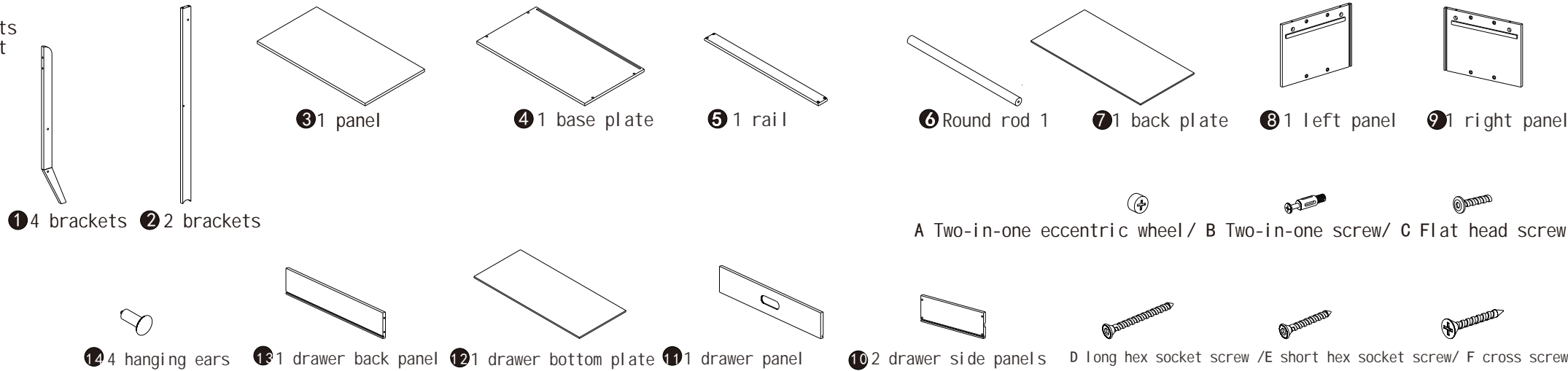


Open the package, sort the accessories according to the accessory list, and then start the installation

Parts list



安装示意图