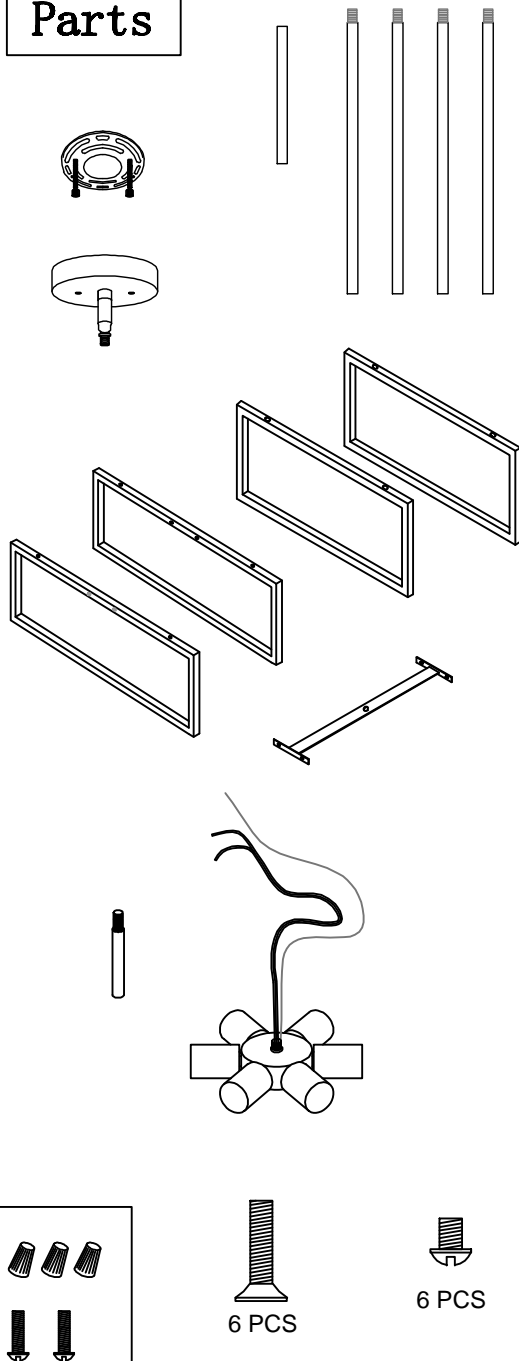
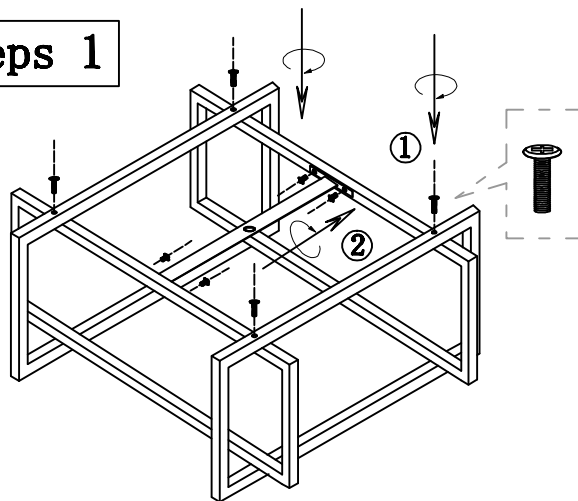


Parts

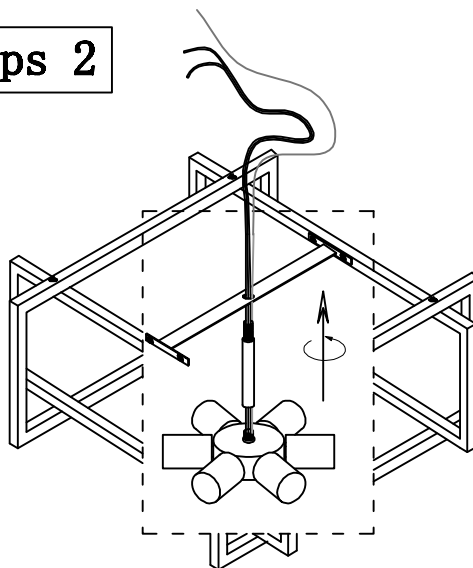


Steps 1



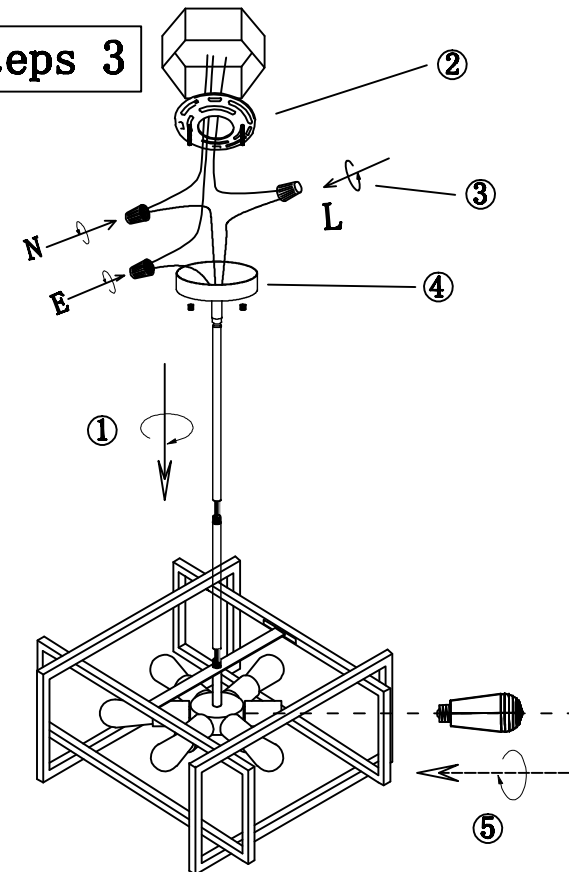
1. Insert the small metal frame into the big metal frame, fasten the frame with screws.
2. Install the metal plate between two small metal frame with screws.

Steps 2



1. Let the wire of the fixture go through the tube, rotate to install the tube to the fixture, let the wire go through the metal frame.

Steps 3



1. Let the wire go through the tubes, rotate to fasten the tubes to the fixture. (can connect more tubes to get suitable height you need.)
2. Install the bracket to the ceiling junction box with screws.
3. Connect the wire to the home line with cap connectors.
4. Install the fixture to the bracket with cap nut.
5. Install the bulb. (bulb is not included in the package)