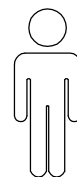
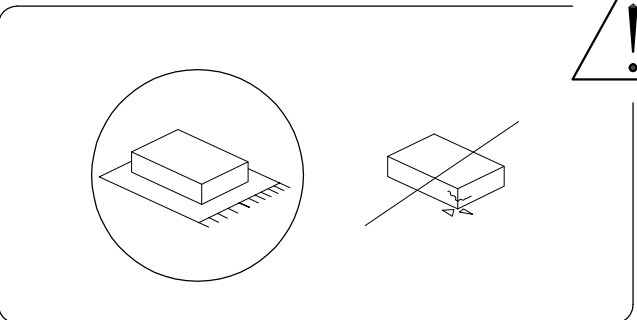
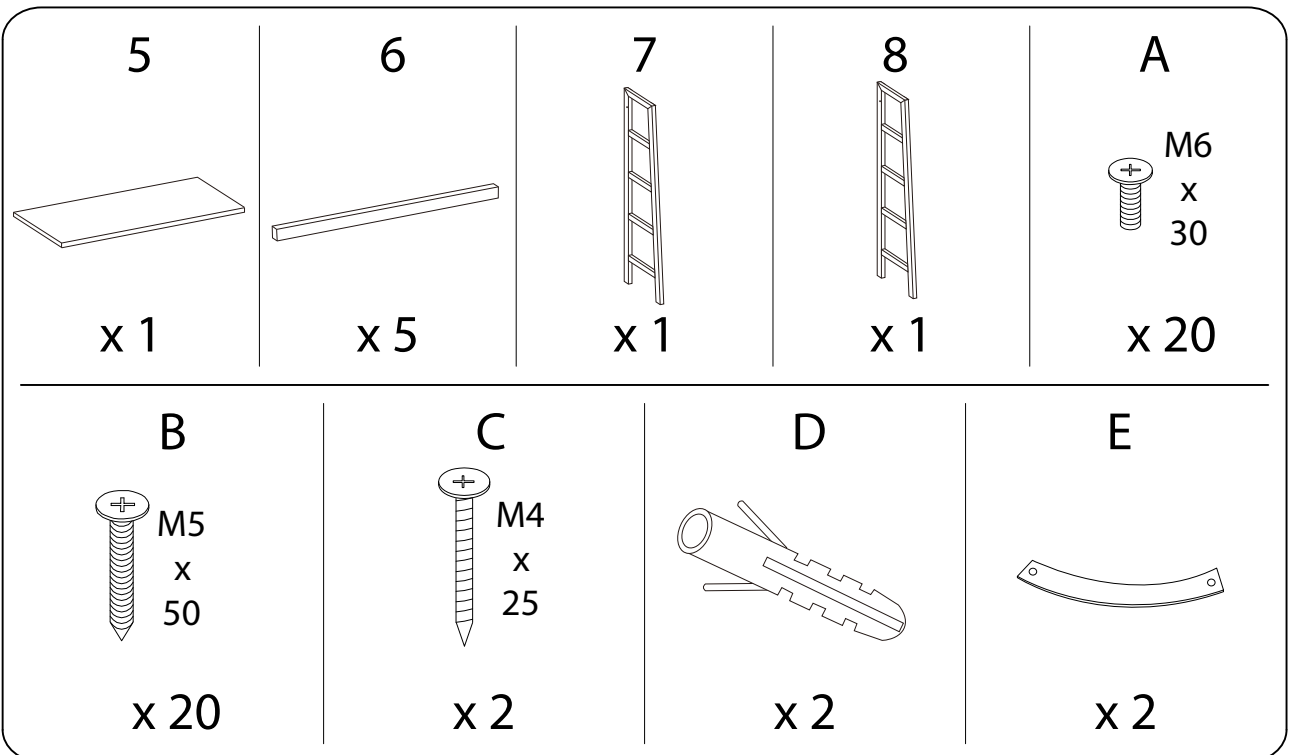
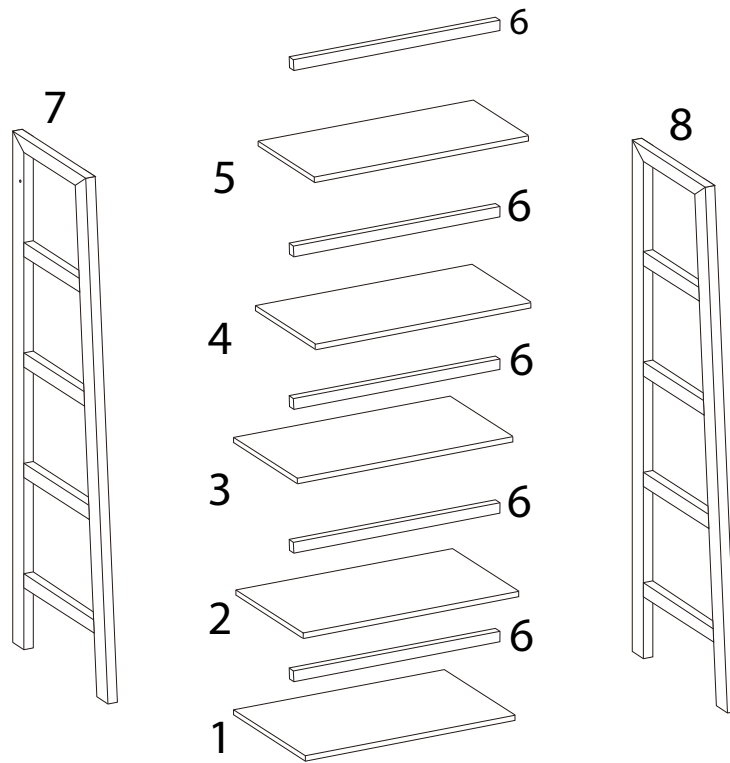
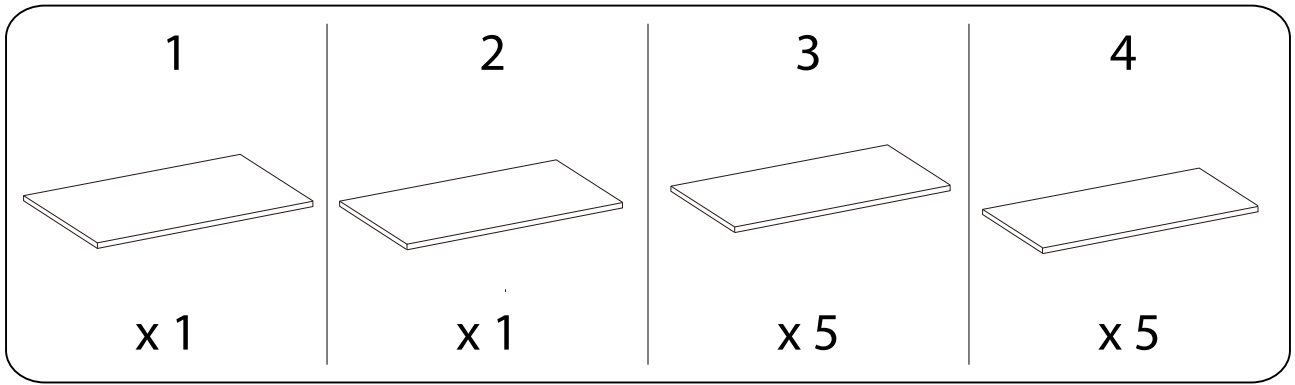


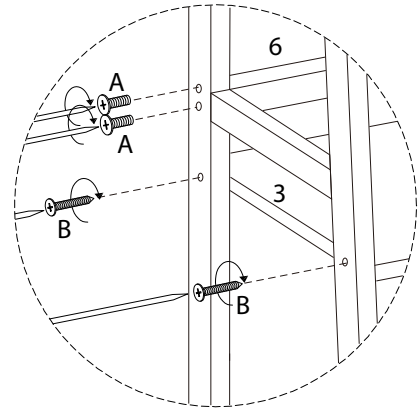
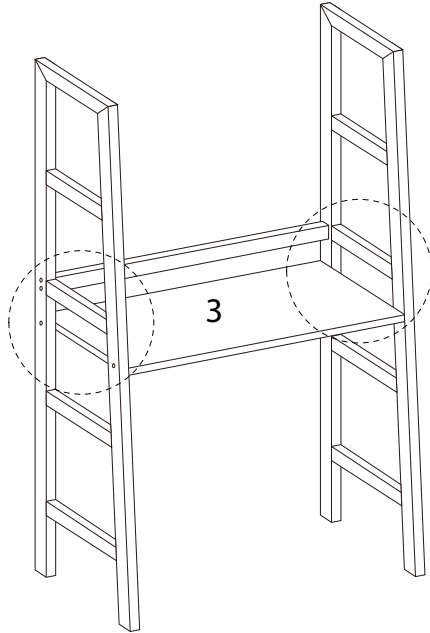
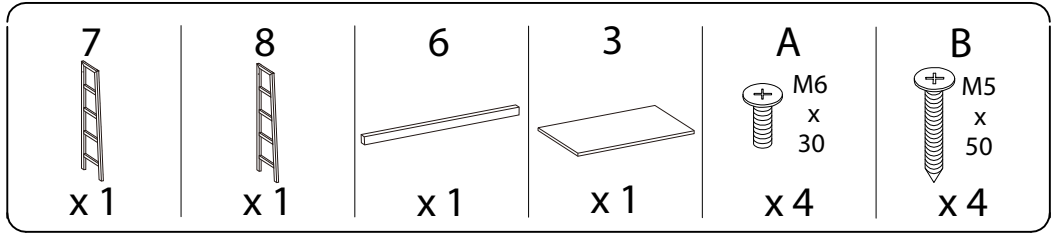
30'



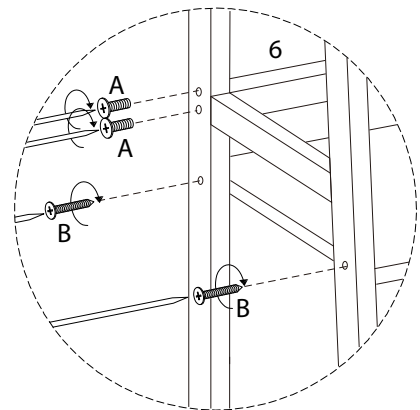
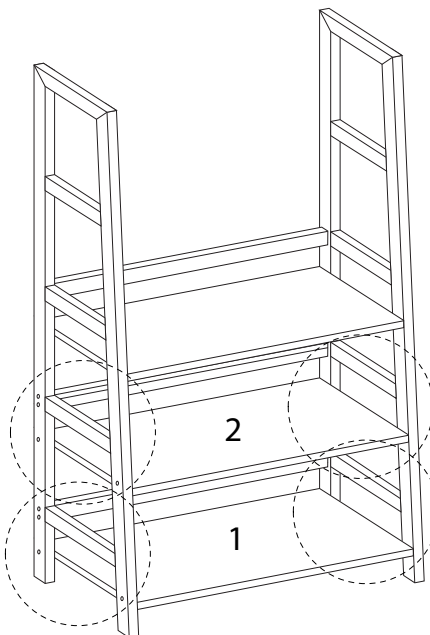
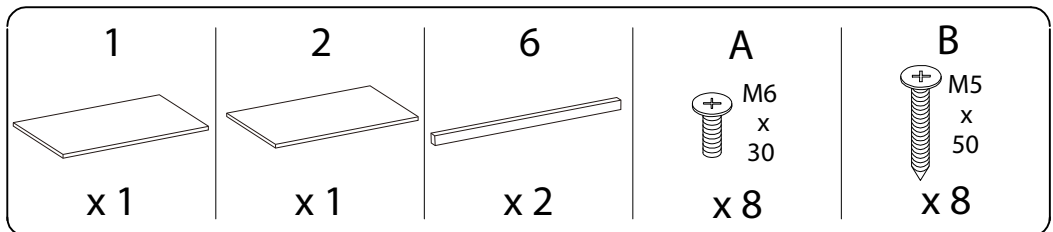
1







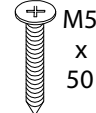
1

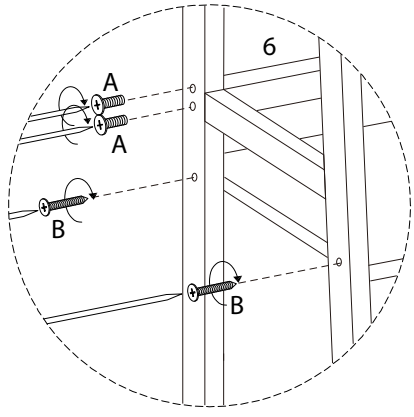
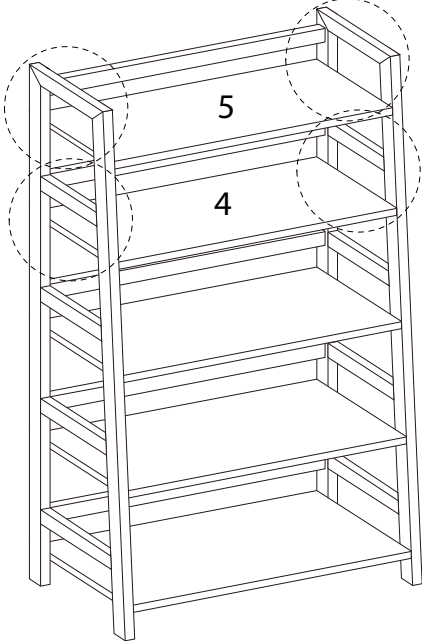


2




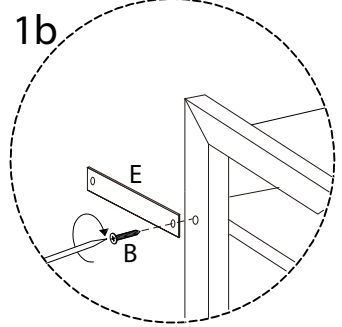
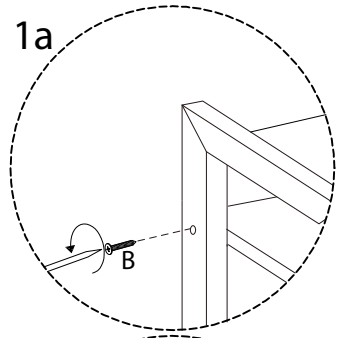
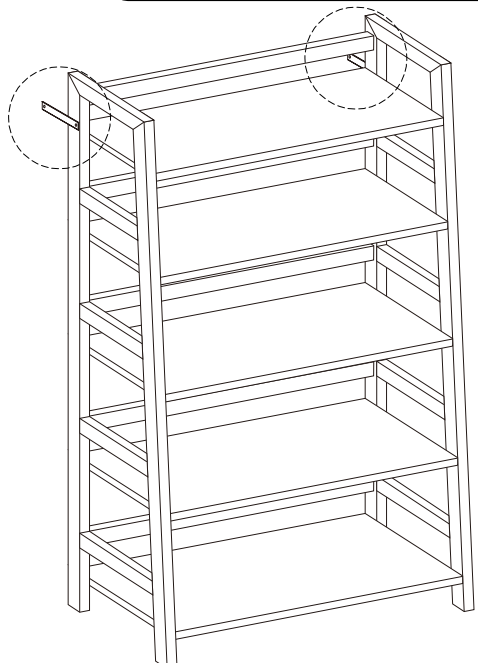
3

4	5	6	A	B
				
x 1	x 1	x 1	x 8	x 8



4

E

x 2



5

