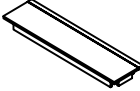
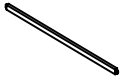
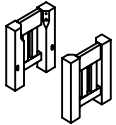





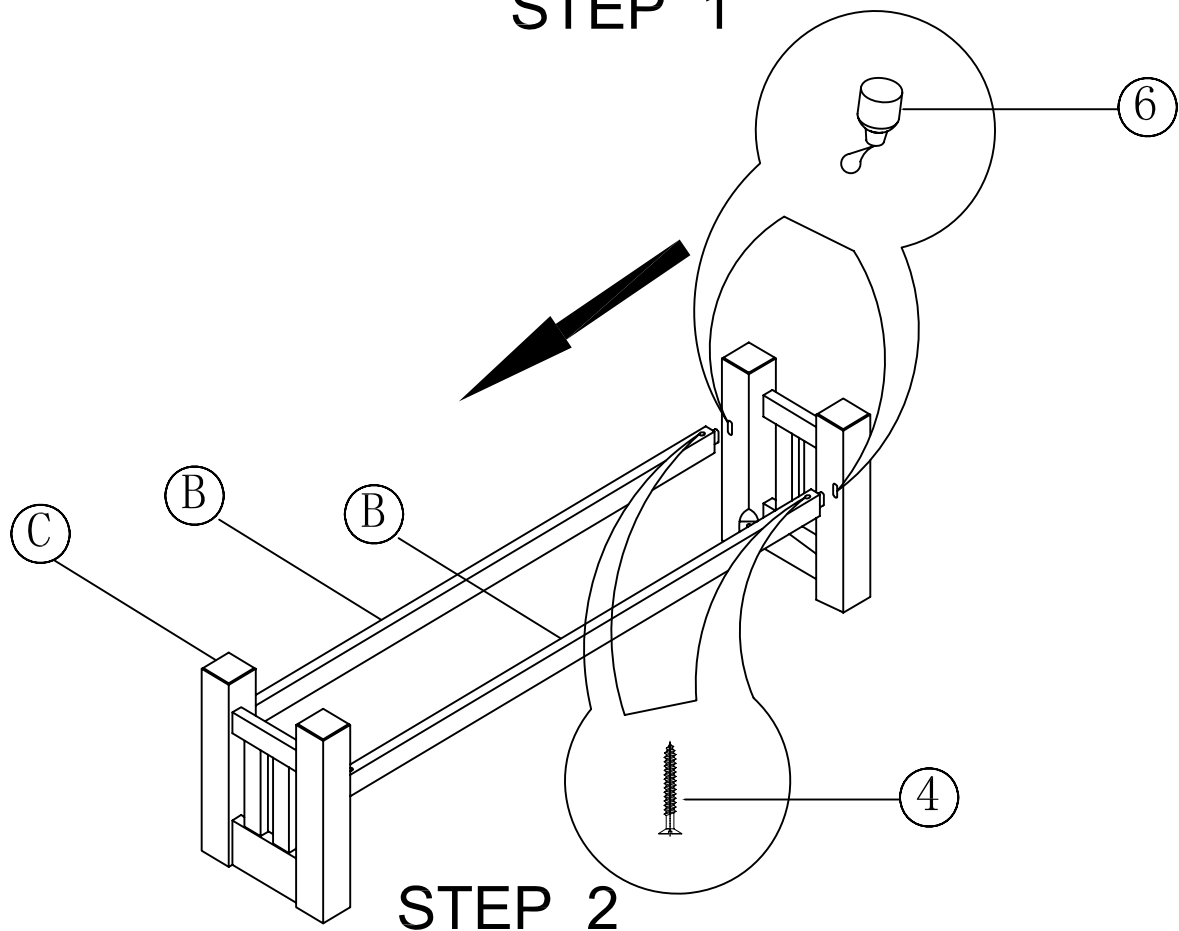


Assembly Instructions

NO.	Parts List		Q`TY
A		Wooden Seat	1
B		Stretcher	2
C		Trestle	2

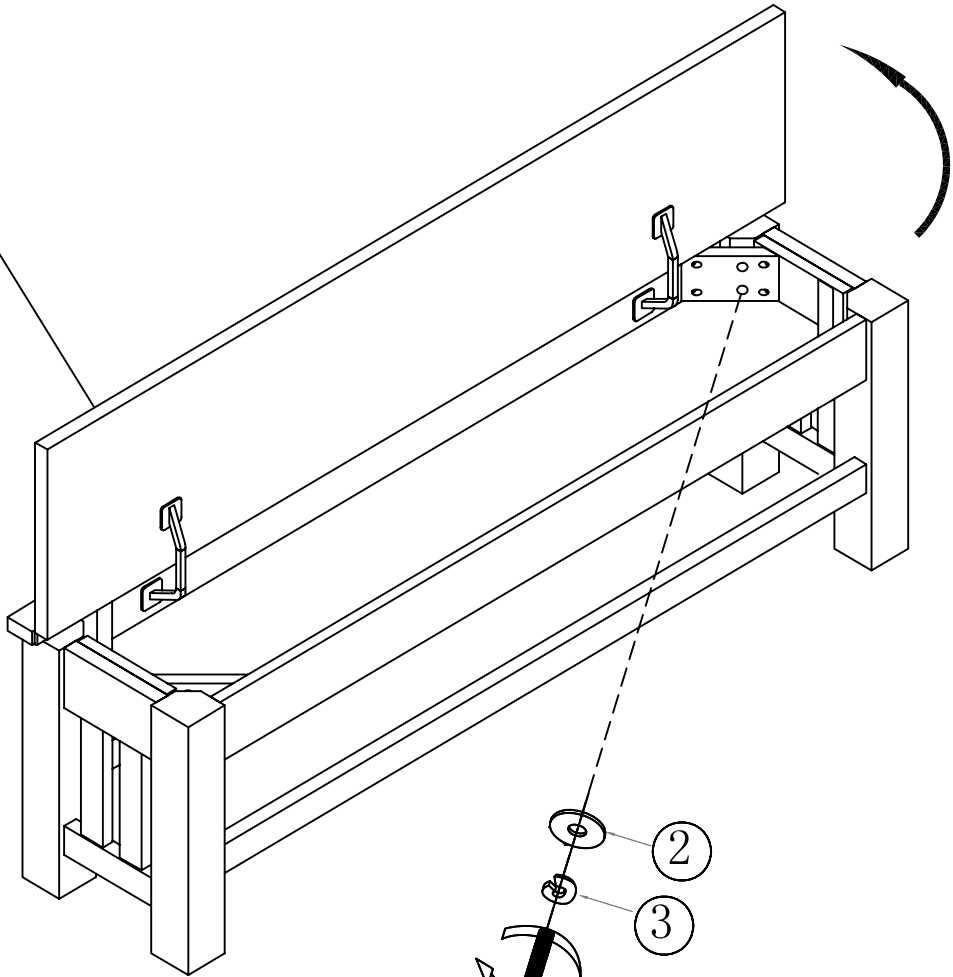
NO.	Hardware List		Q`TY
1		Ø5/16*3-1/4" Allen Bolt	8
2		Flat Washer (8*19*2mm)	8
3		Spring Washer (8mm)	8
4		Wood Screw 1/8"*1-1/2"	4
5		Open Wrench(13mm)	1
6		Wood Glue	1

STEP 1



STEP 2

A



STEP 3

