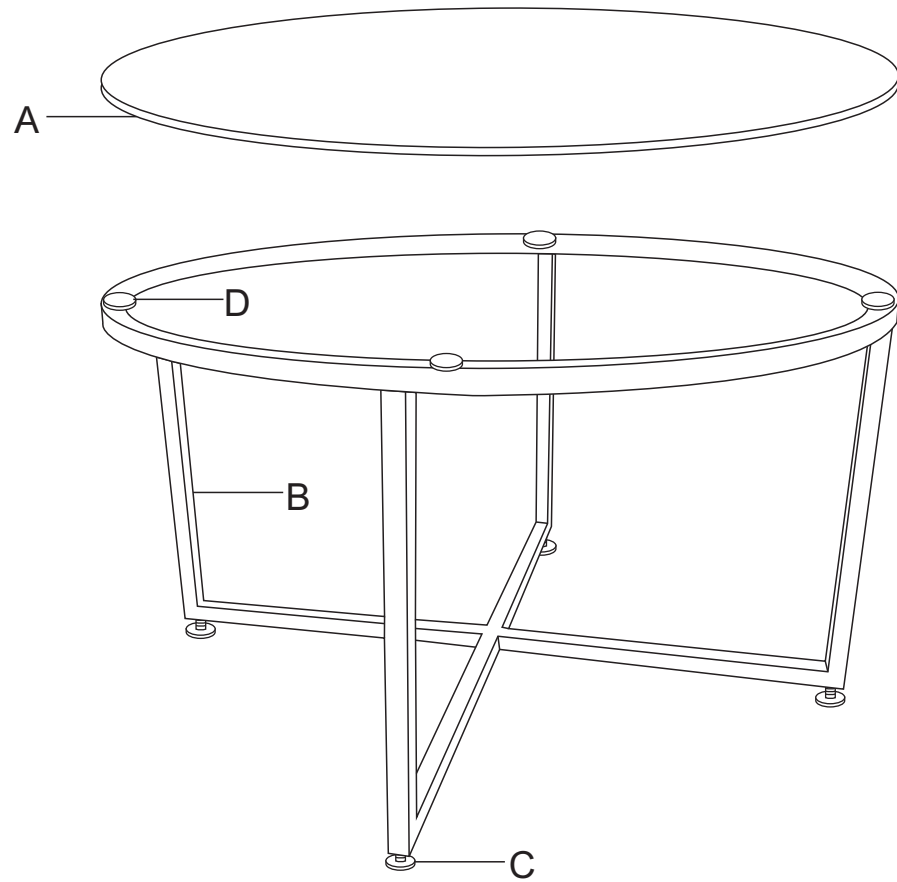
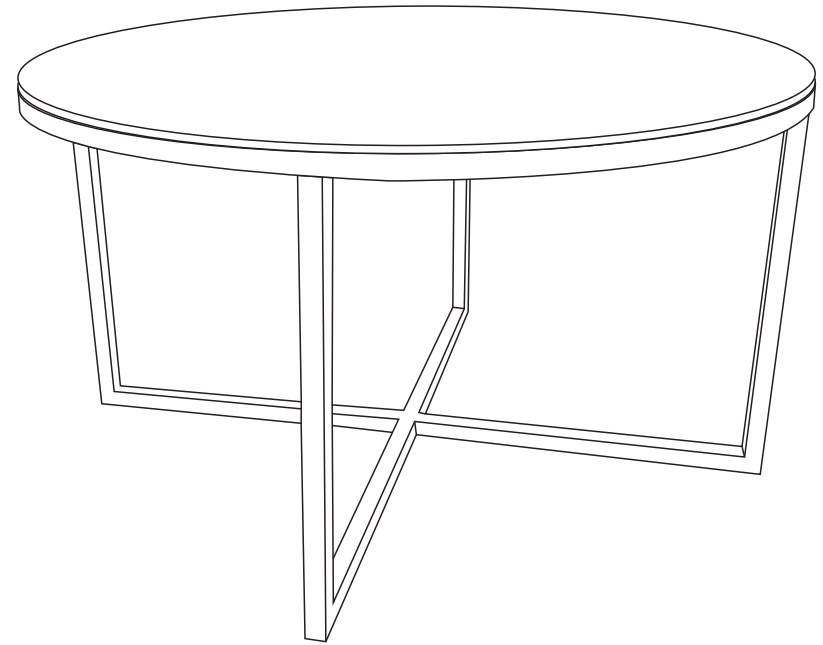


# ASSEMBLY INSTRUCCION

STEP 1



STEP 2



A



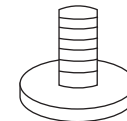
1

B



1

C



4

D



4