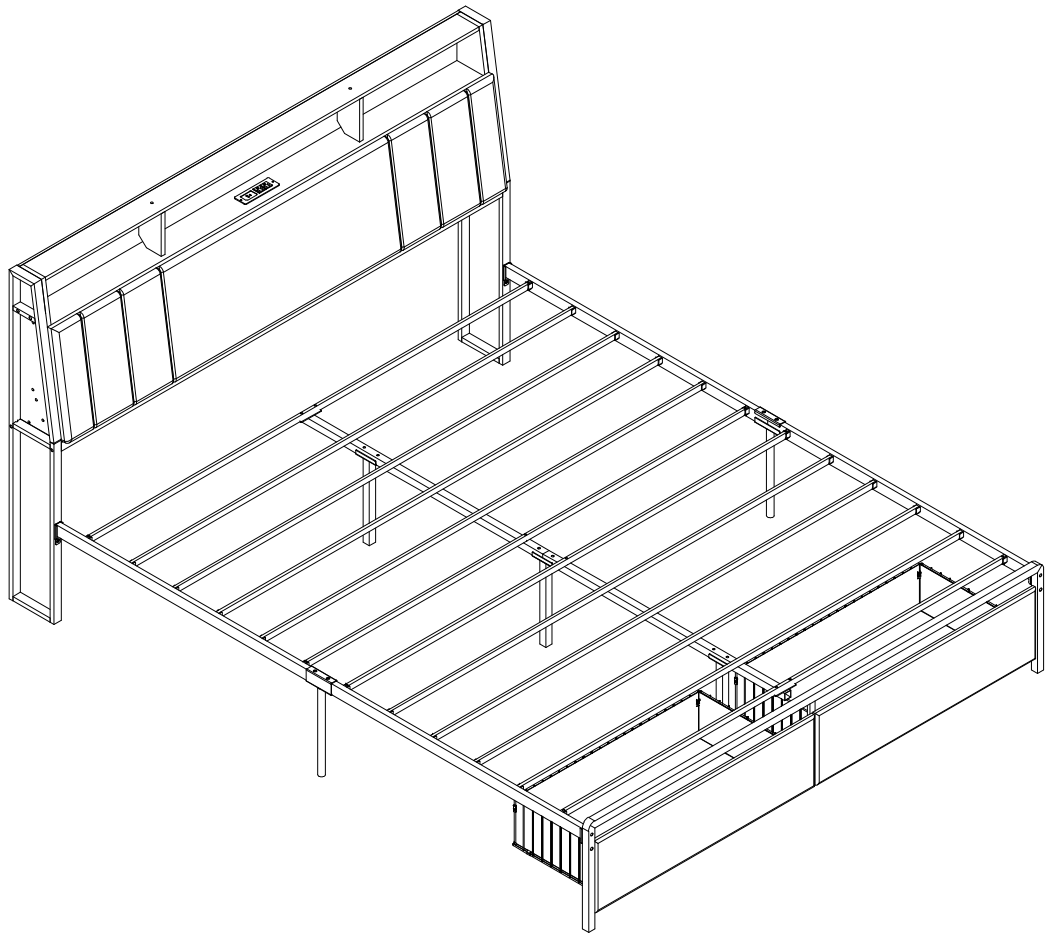
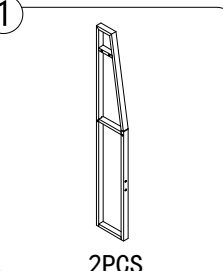
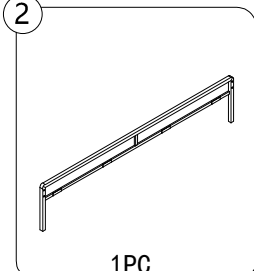
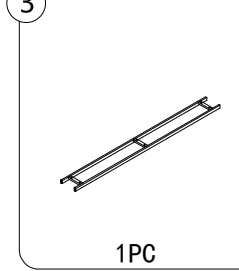
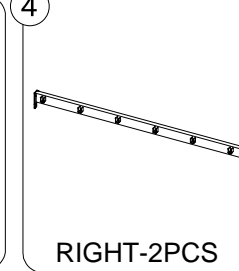
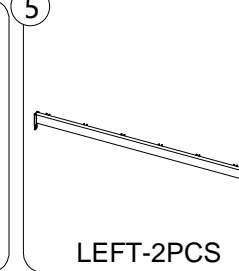
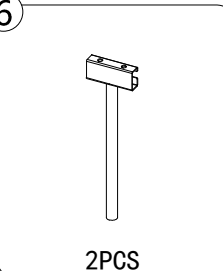
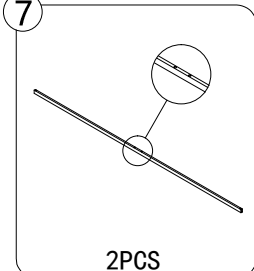
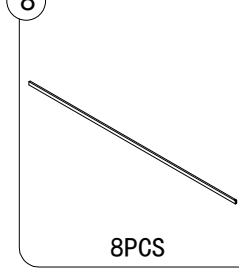
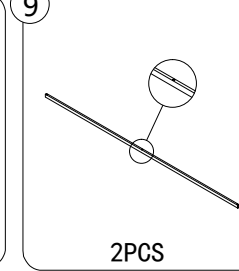
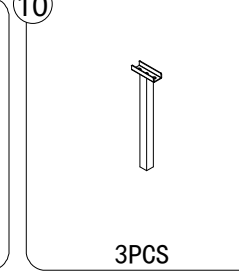
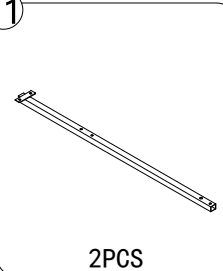
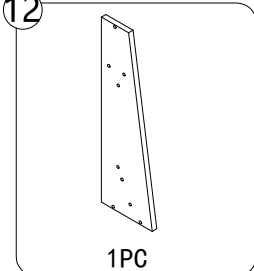
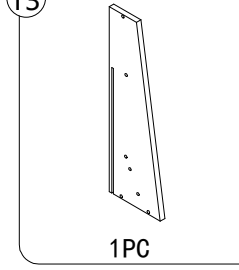
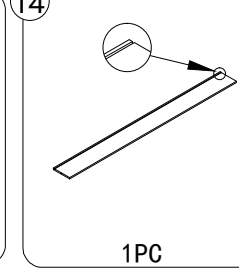
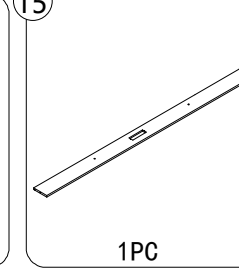
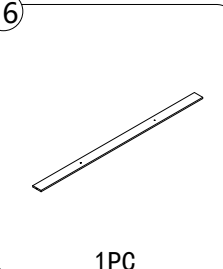
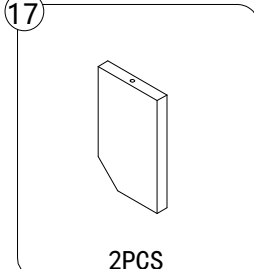
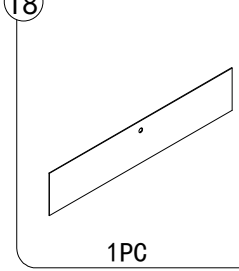
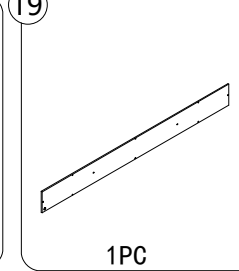
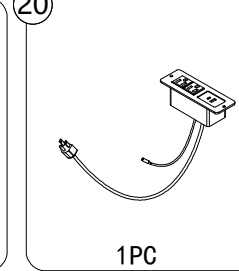
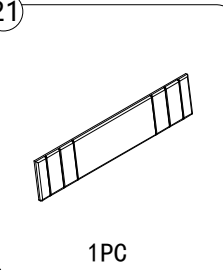
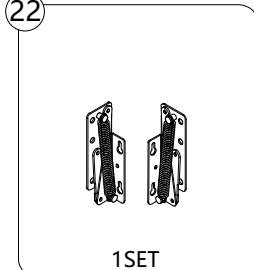
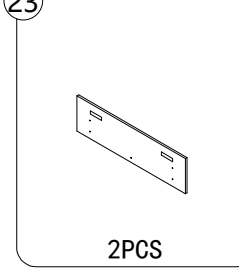
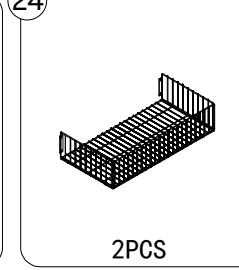
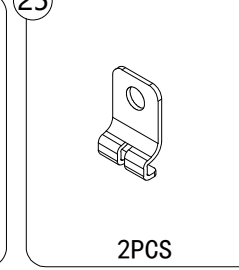
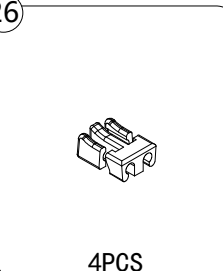
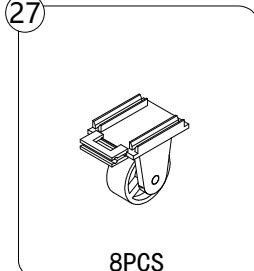
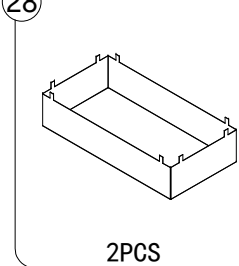
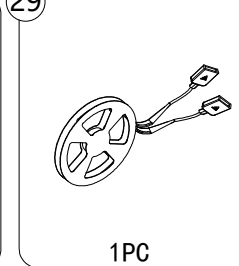
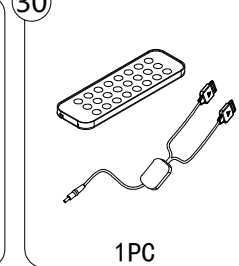


# USER'S MANUAL

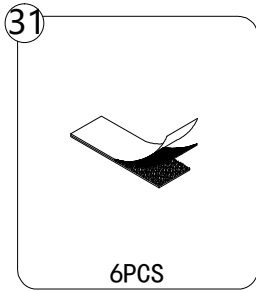




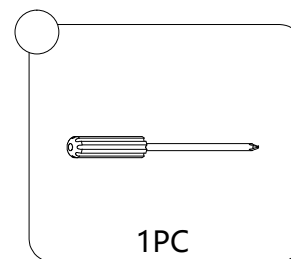
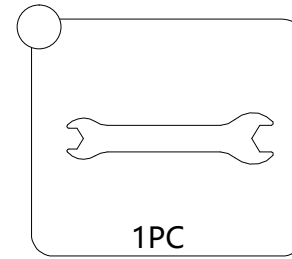
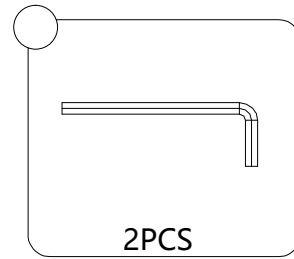
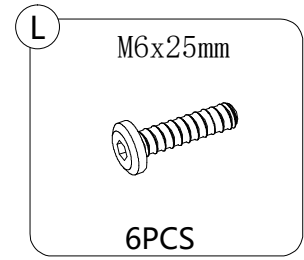
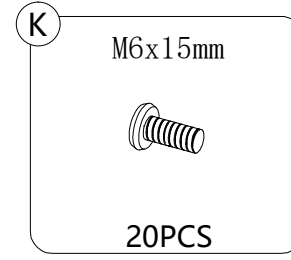
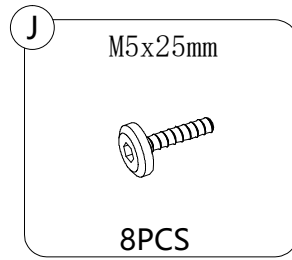
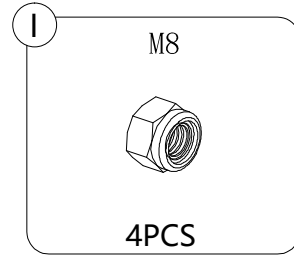
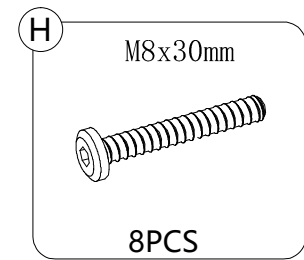
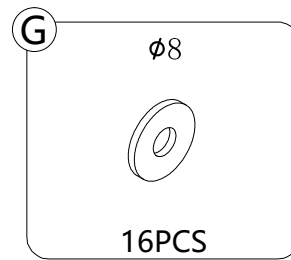
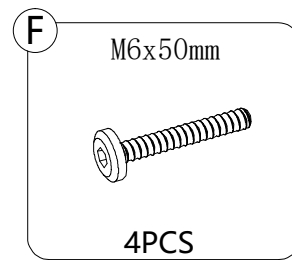
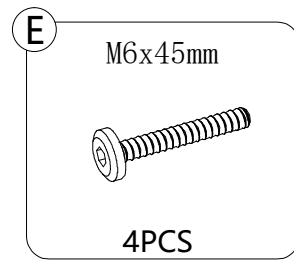
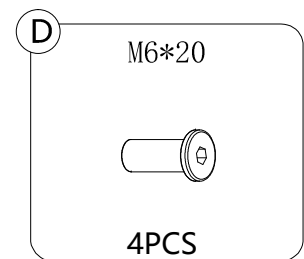
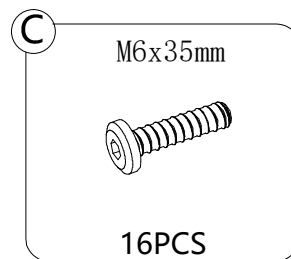
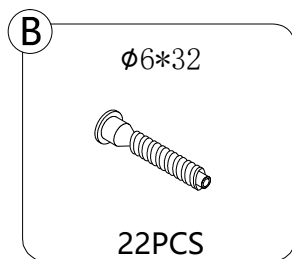
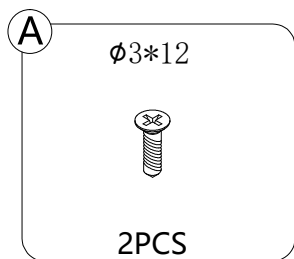
# Parts List

 <p>2PCS</p>	 <p>1PC</p>	 <p>1PC</p>	 <p>RIGHT-2PCS</p>	 <p>LEFT-2PCS</p>
 <p>2PCS</p>	 <p>2PCS</p>	 <p>8PCS</p>	 <p>2PCS</p>	 <p>3PCS</p>
 <p>2PCS</p>	 <p>1PC</p>	 <p>1PC</p>	 <p>1PC</p>	 <p>1PC</p>
 <p>1PC</p>	 <p>2PCS</p>	 <p>1PC</p>	 <p>1PC</p>	 <p>1PC</p>
 <p>1PC</p>	 <p>1SET</p>	 <p>2PCS</p>	 <p>2PCS</p>	 <p>2PCS</p>
 <p>4PCS</p>	 <p>8PCS</p>	 <p>2PCS</p>	 <p>1PC</p>	 <p>1PC</p>


# Parts List

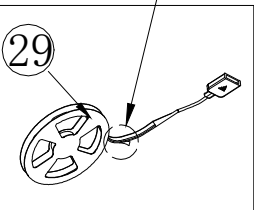
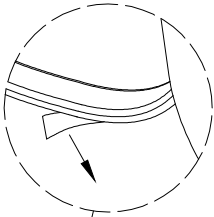
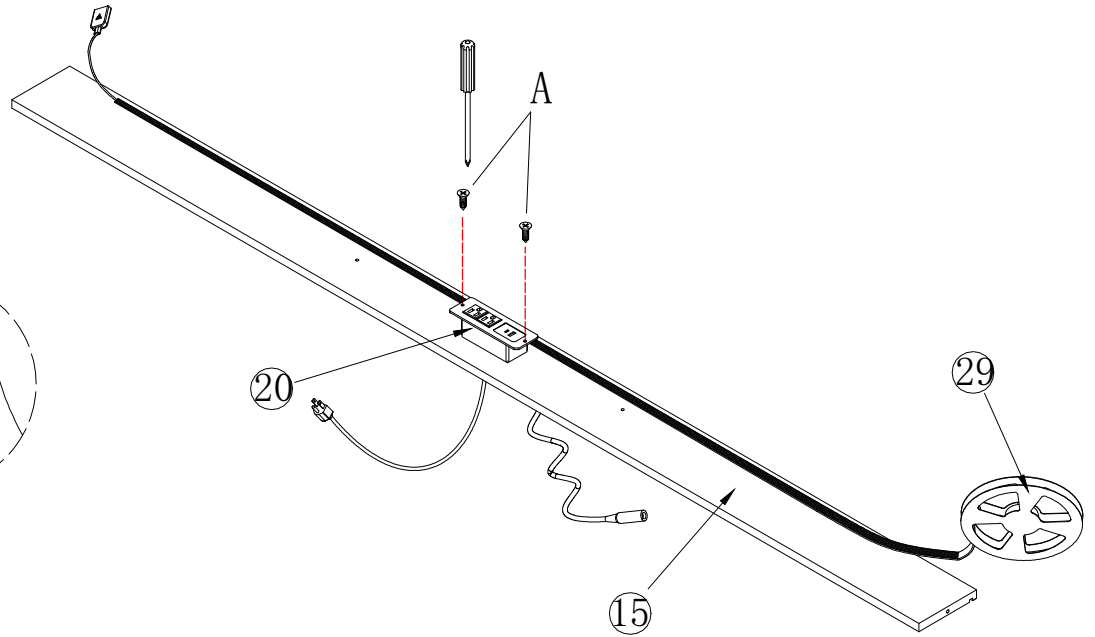
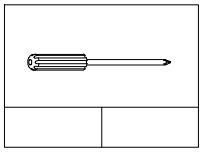


# Hardware List




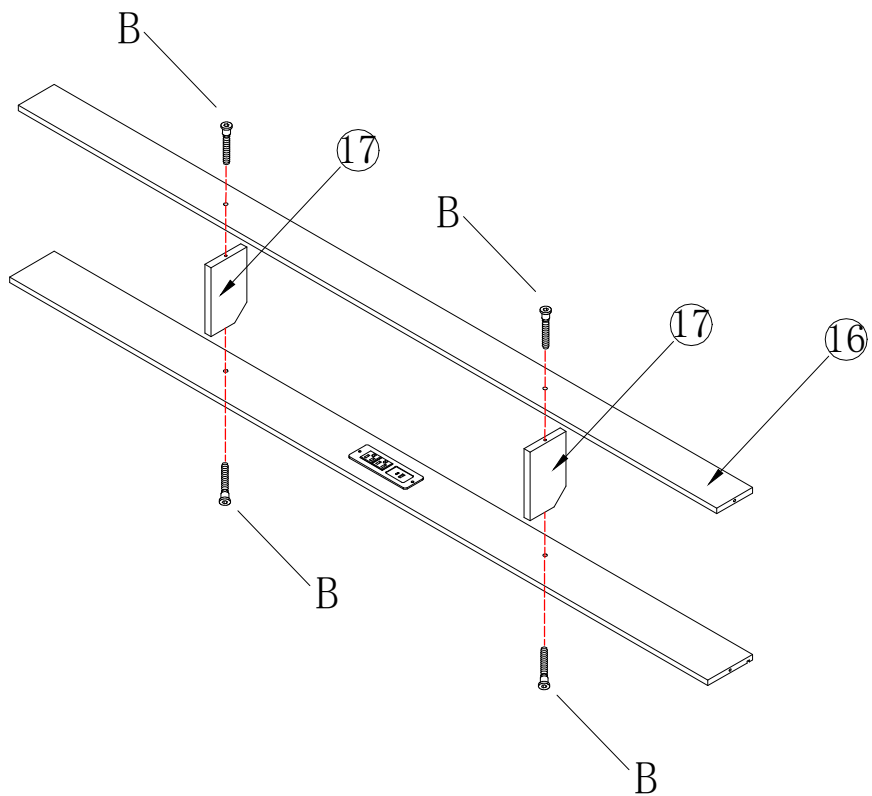
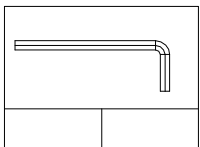
1

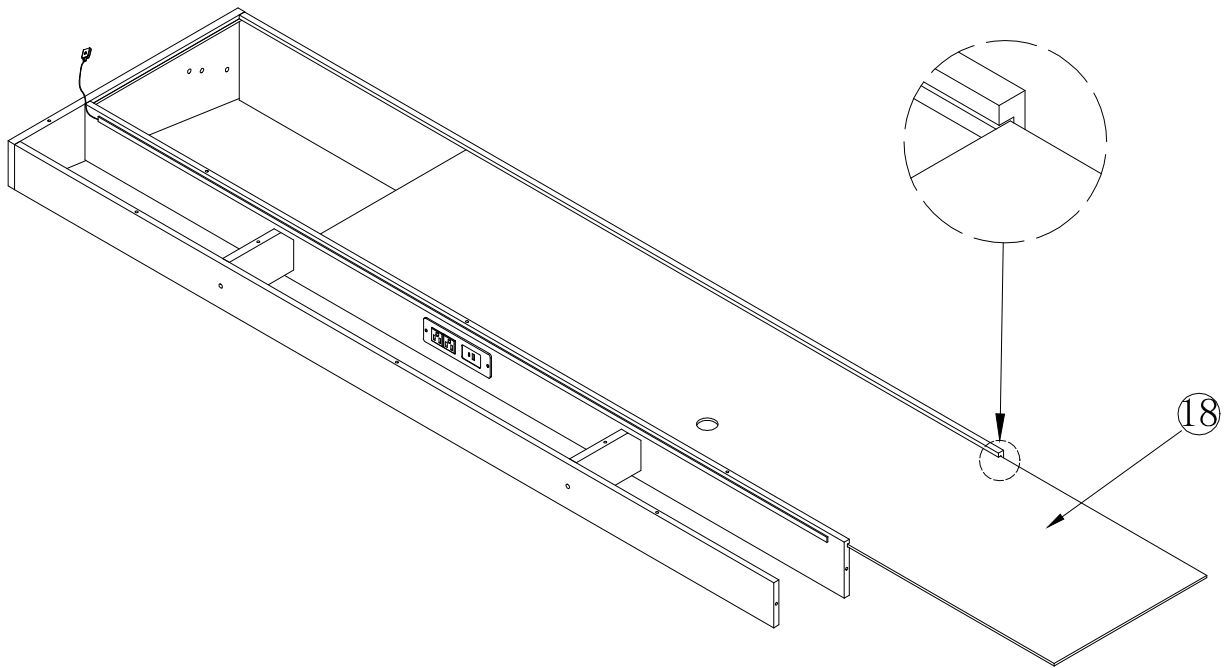
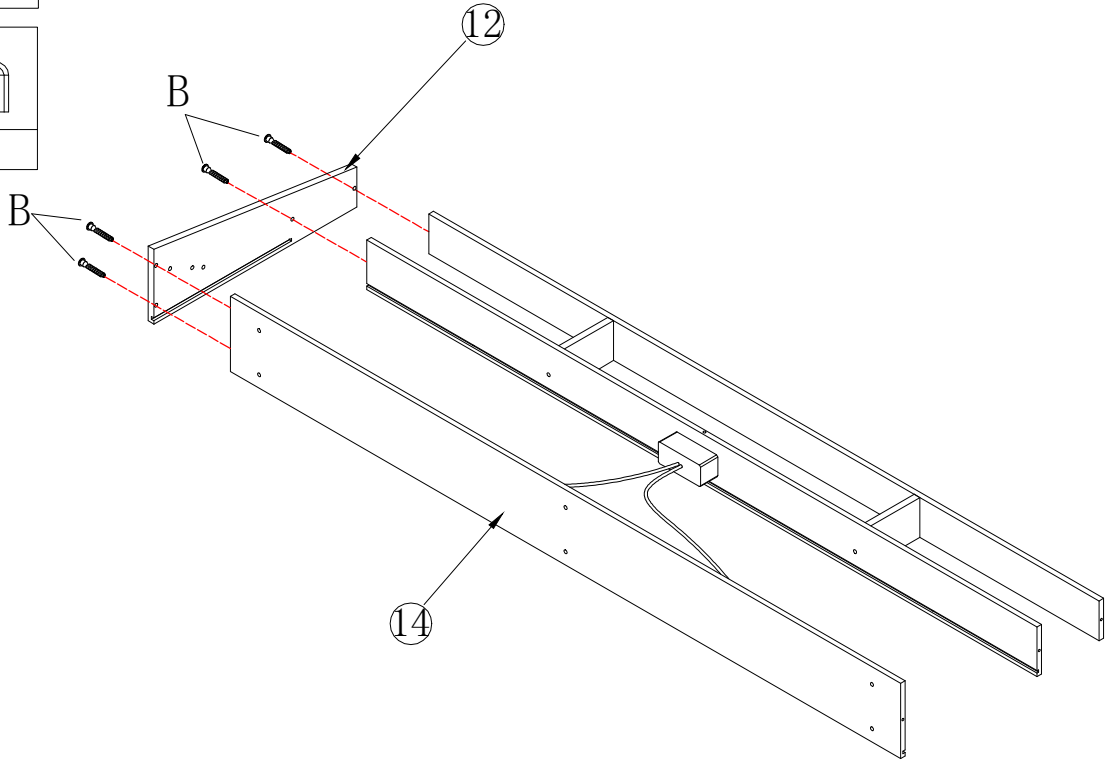
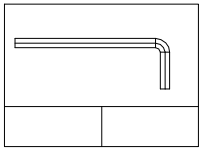
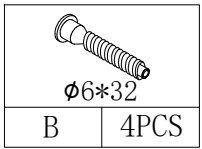
	
$\phi 3*12$	
A	2PCS

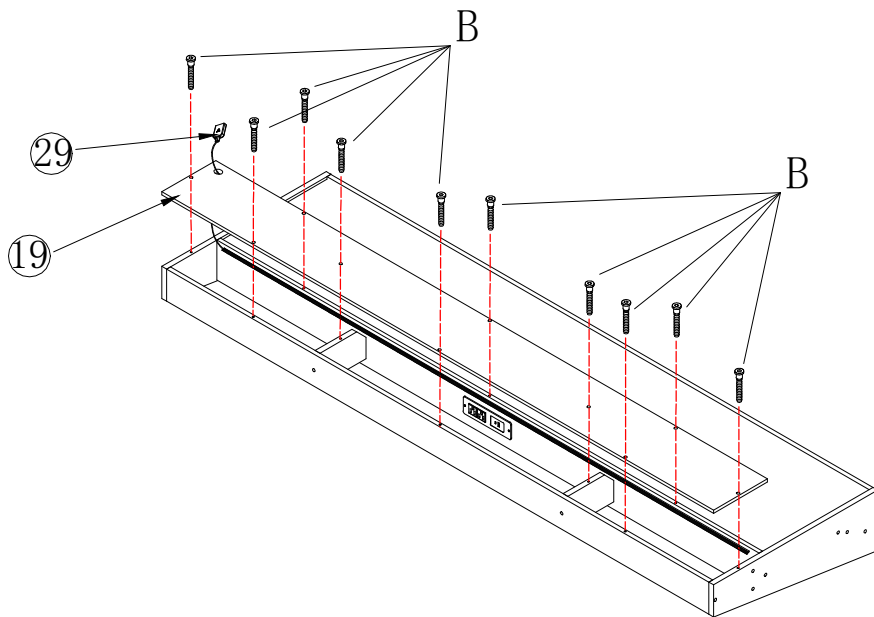
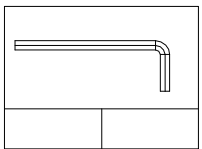
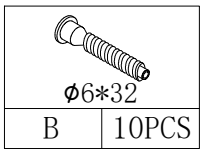
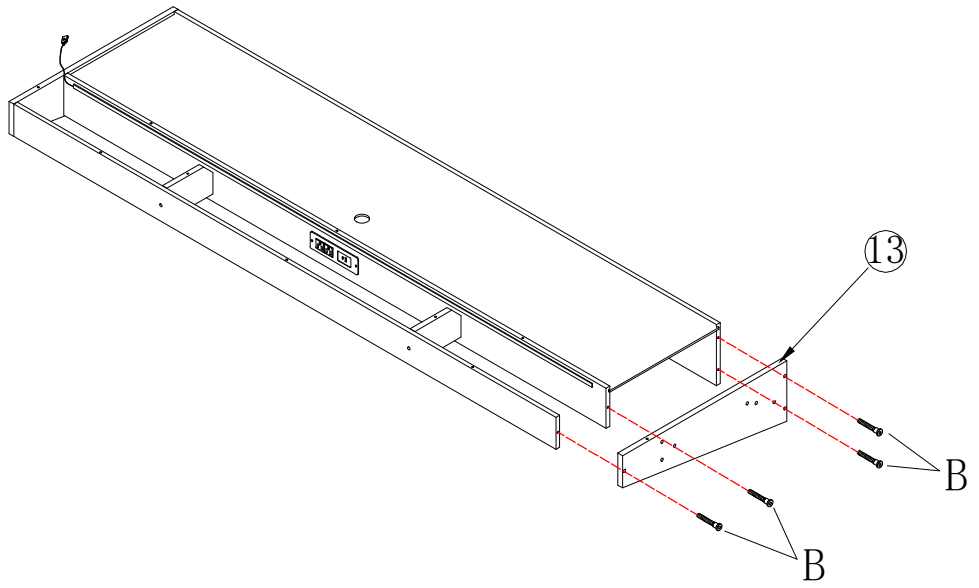
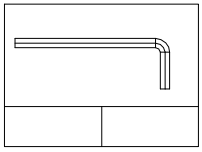
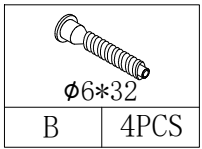






2

	
$\phi 6*32$	
B	4PCS

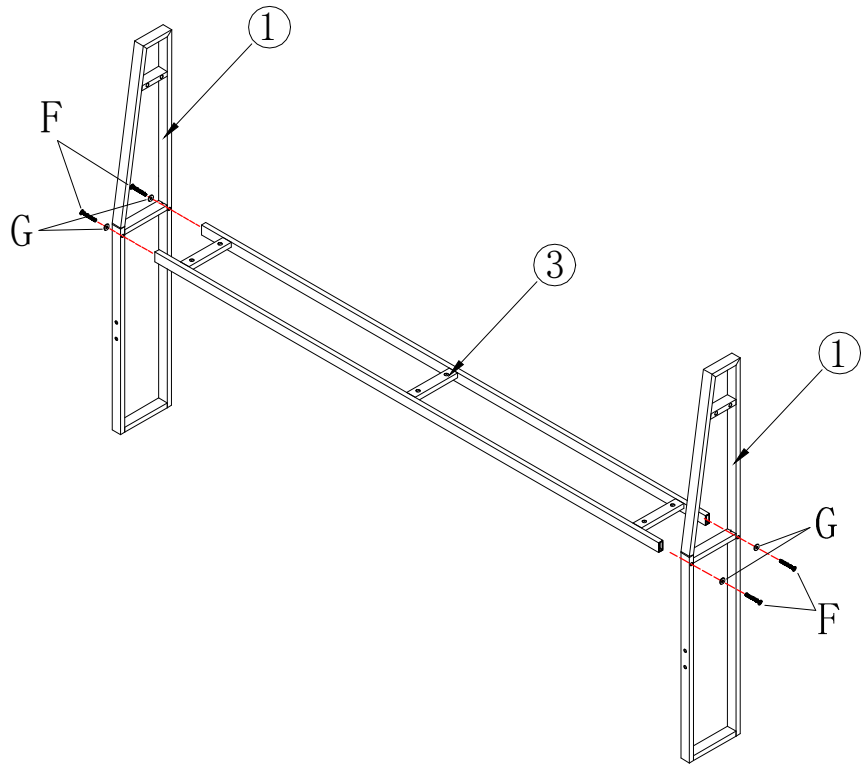



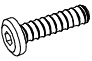

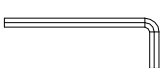





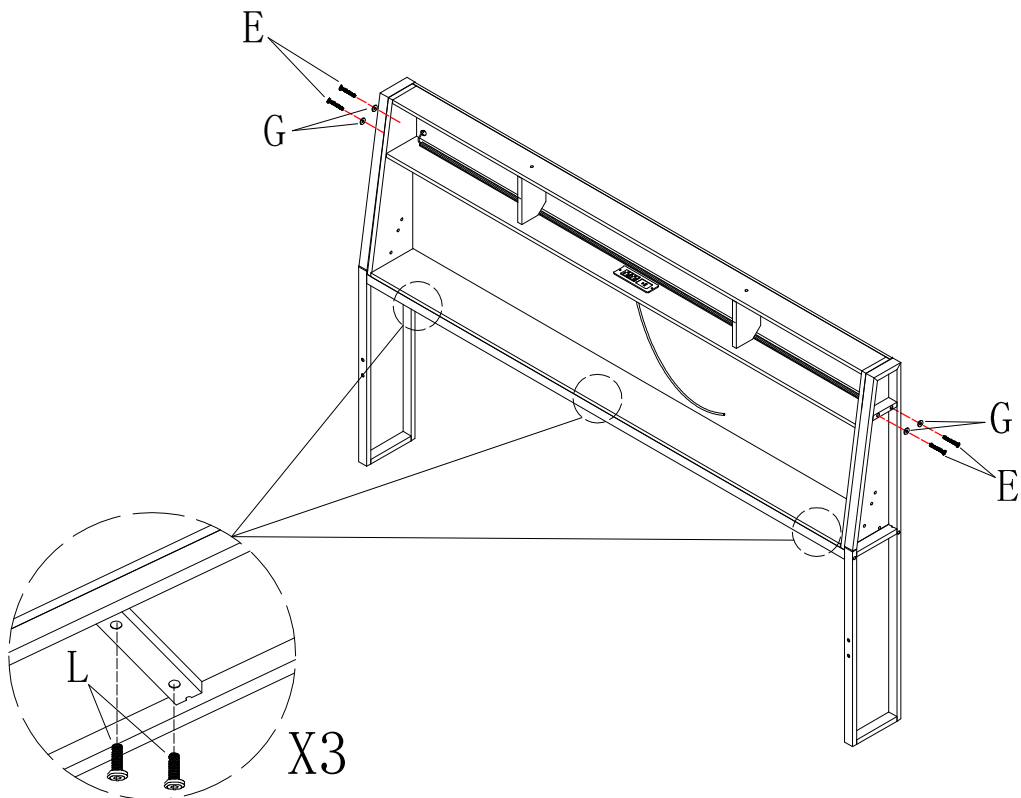
	
M6x50mm	
F	4PCS
	
ø8	
G	4PCS
	
	

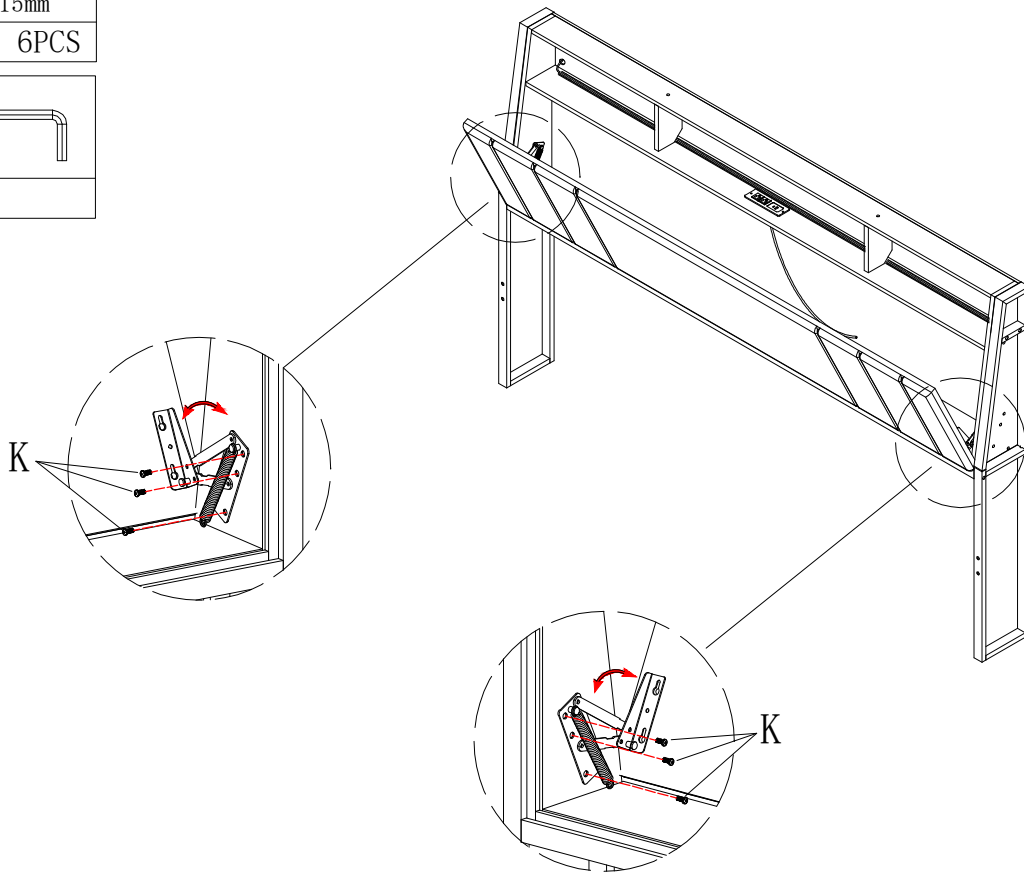
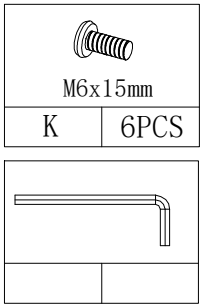
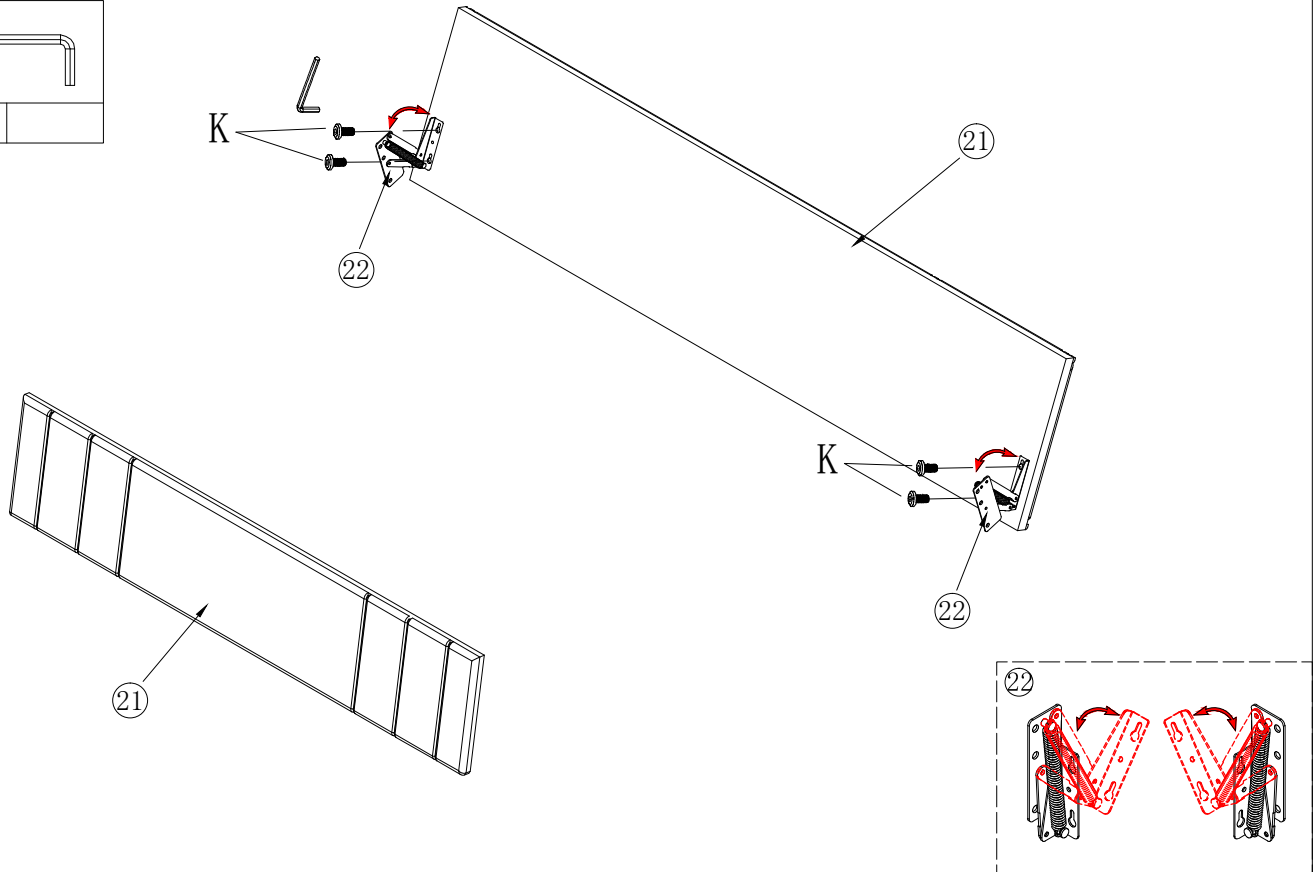
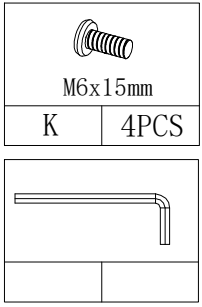
Please don't tighten the screws completely .


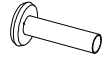

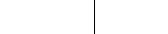


	
M6x45mm	
E	4PCS
	
M6x25mm	
L	6PCS
	
ø8	
G	4PCS
	
	

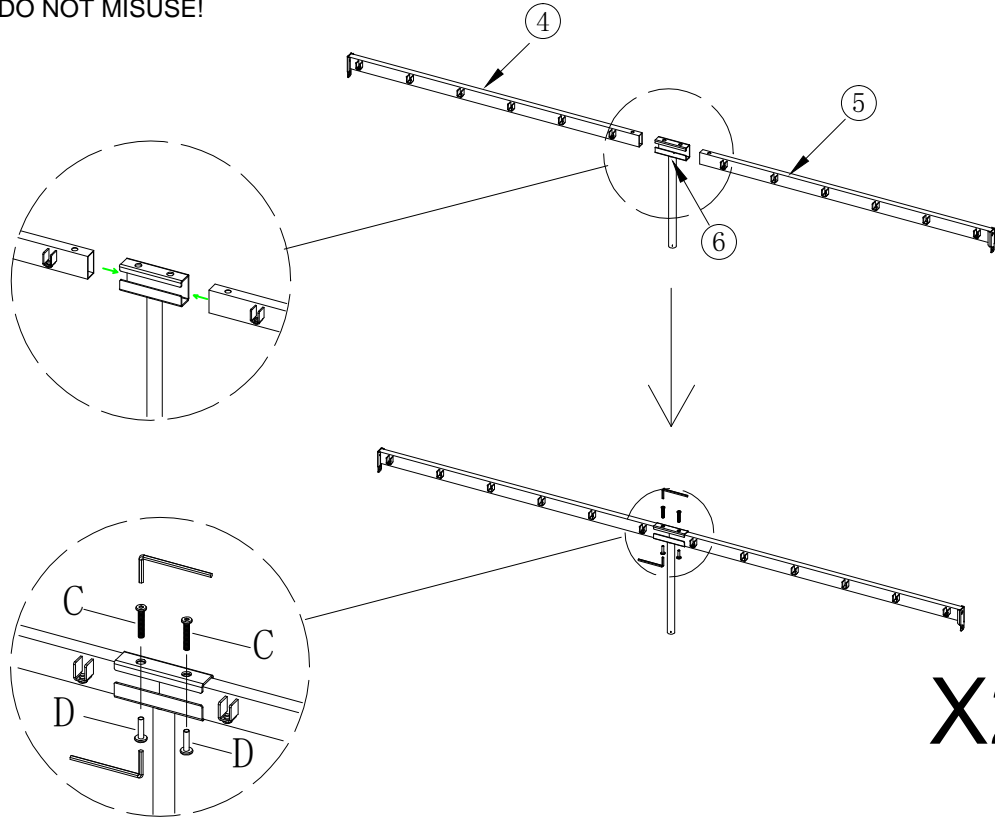
Please tighten all screws at the end of each screw alignment.

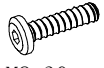




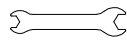
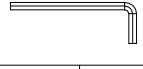


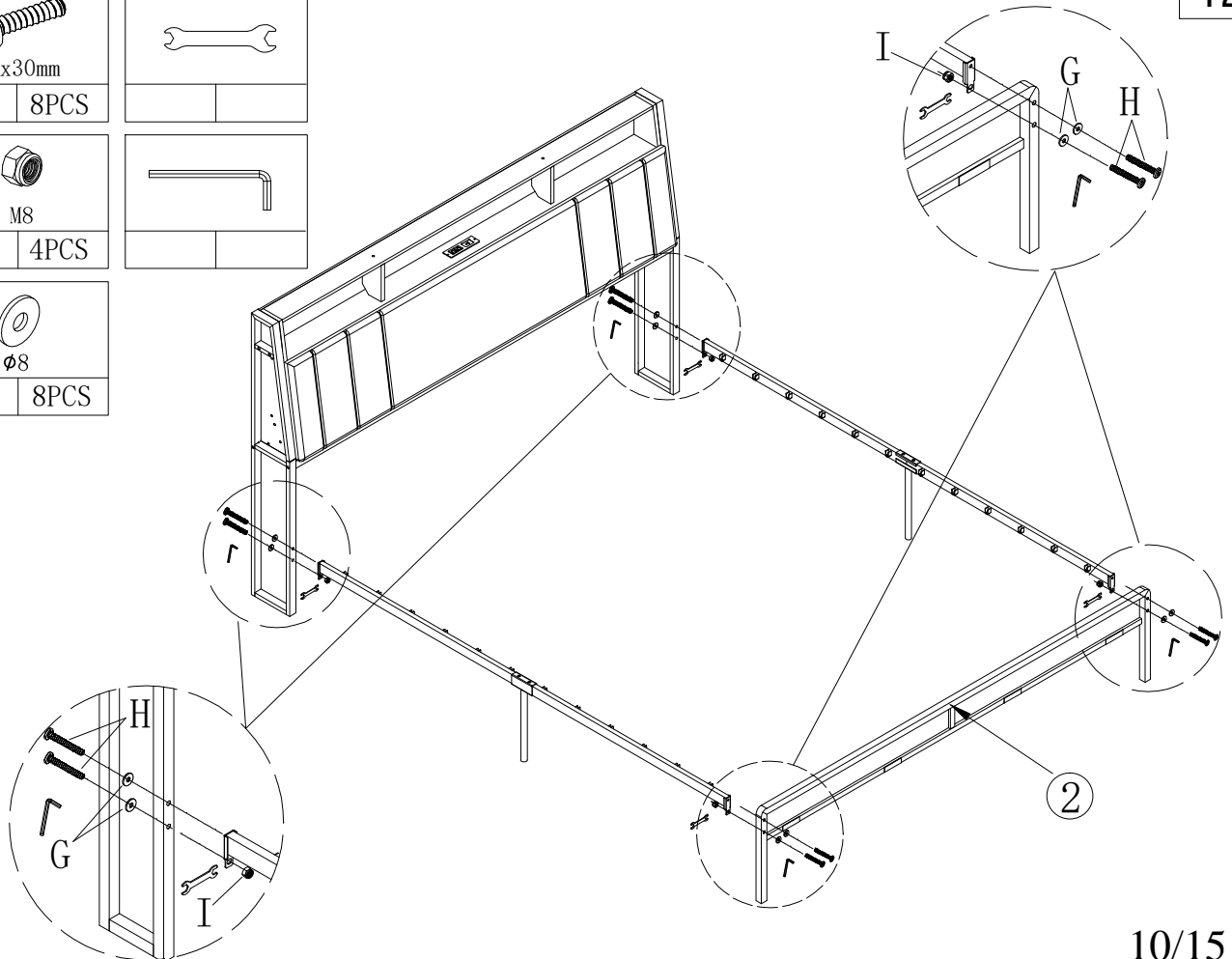
	
M6x35mm	
C	4PCS
	
M6x20mm	
D	4PCS
	
	

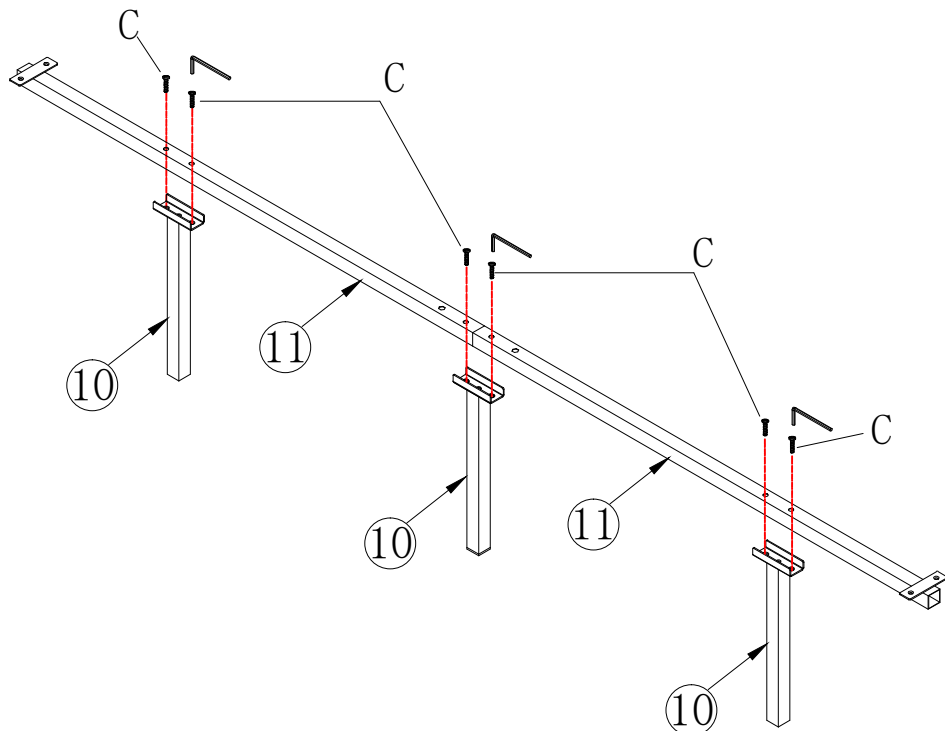
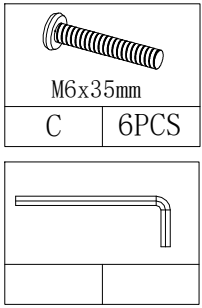
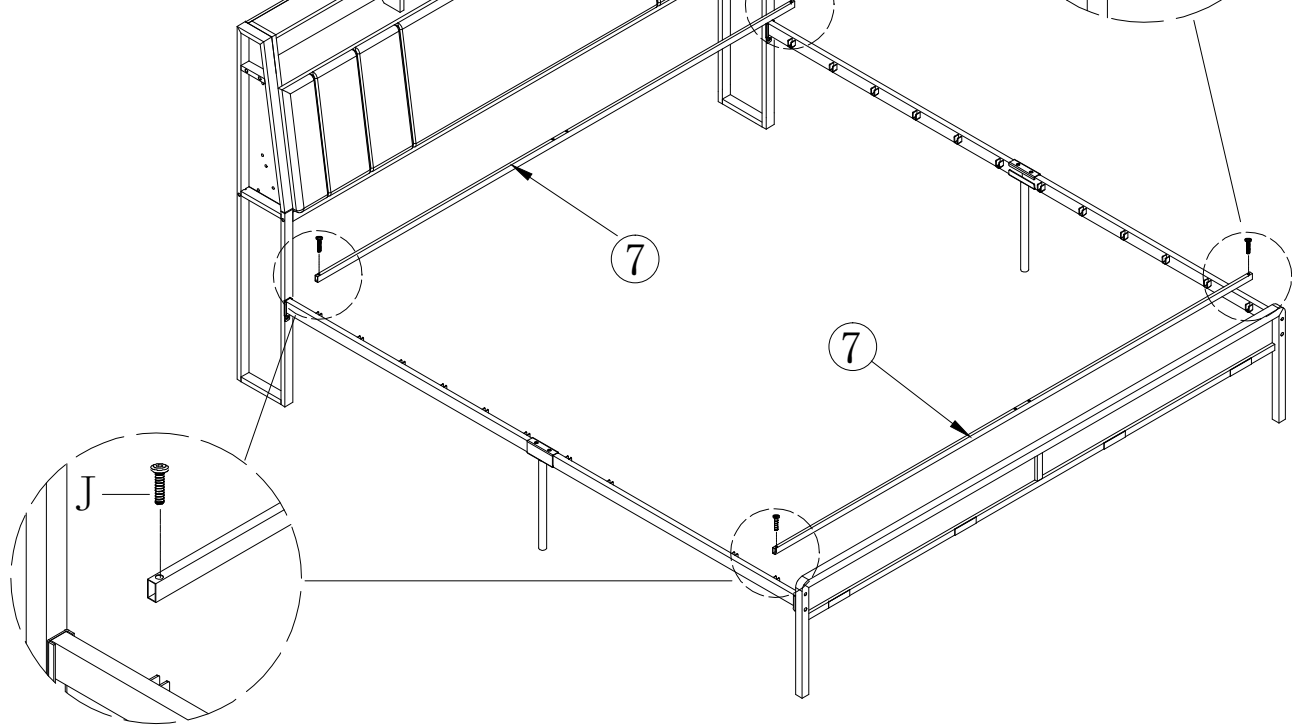
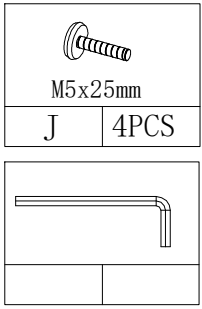
**Notes:** The left and Right Side are different.  
DO NOT MISUSE!

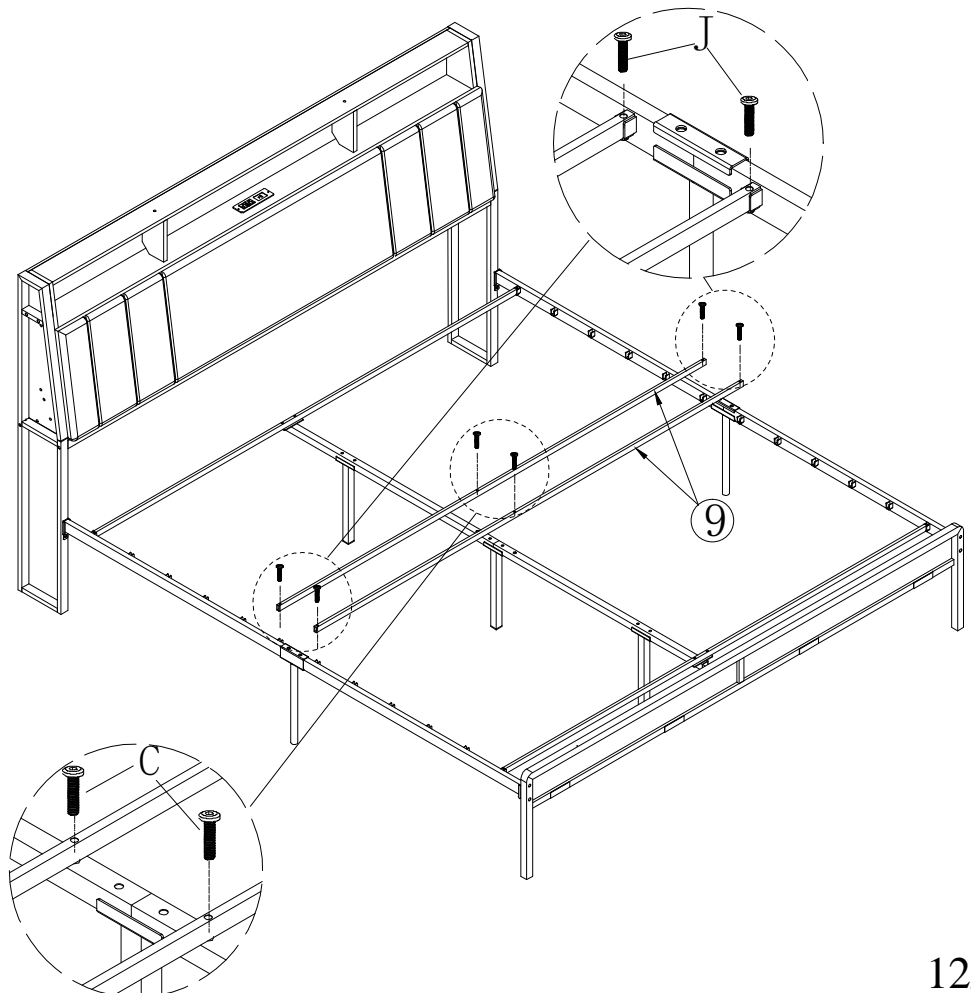
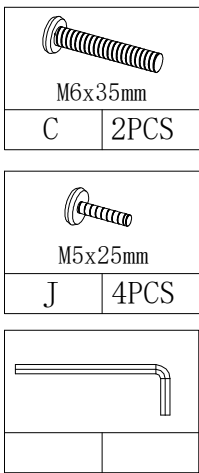
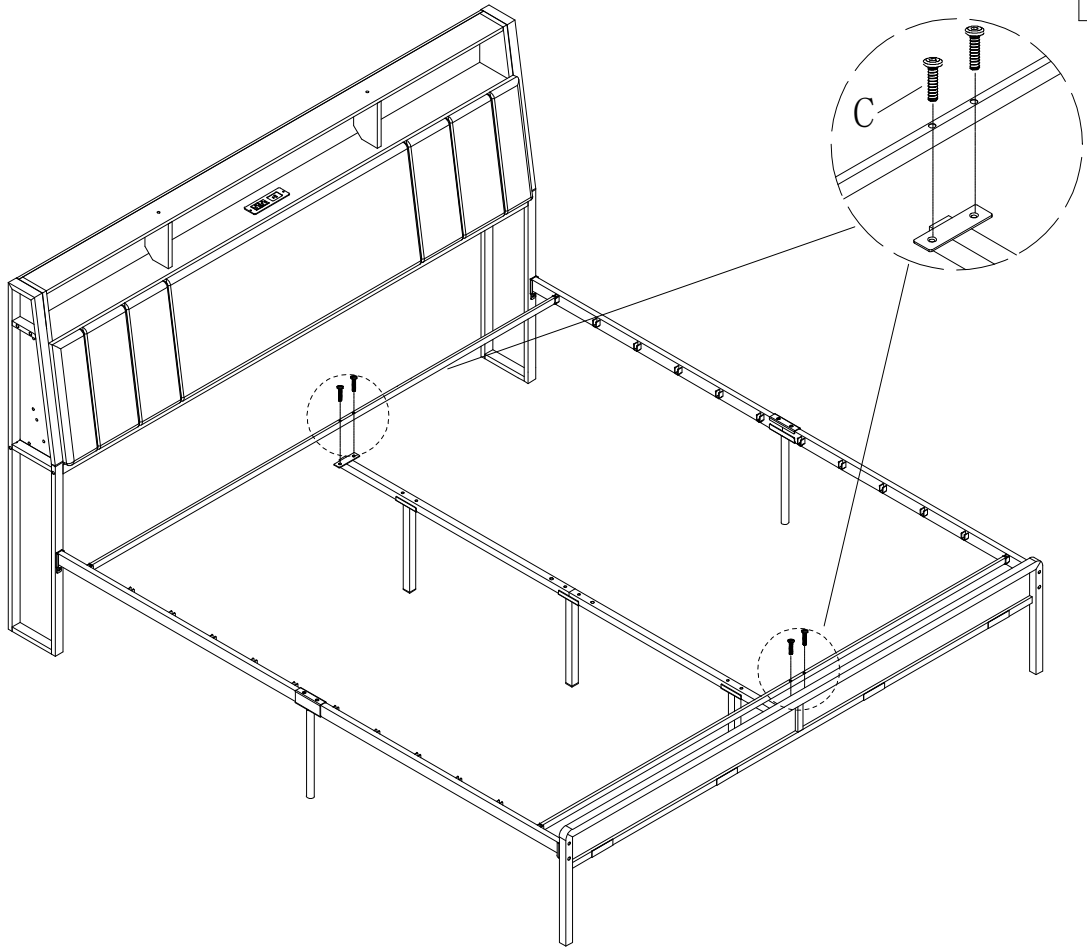
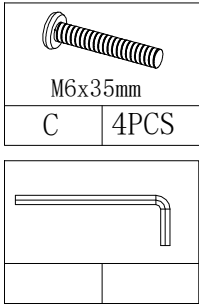


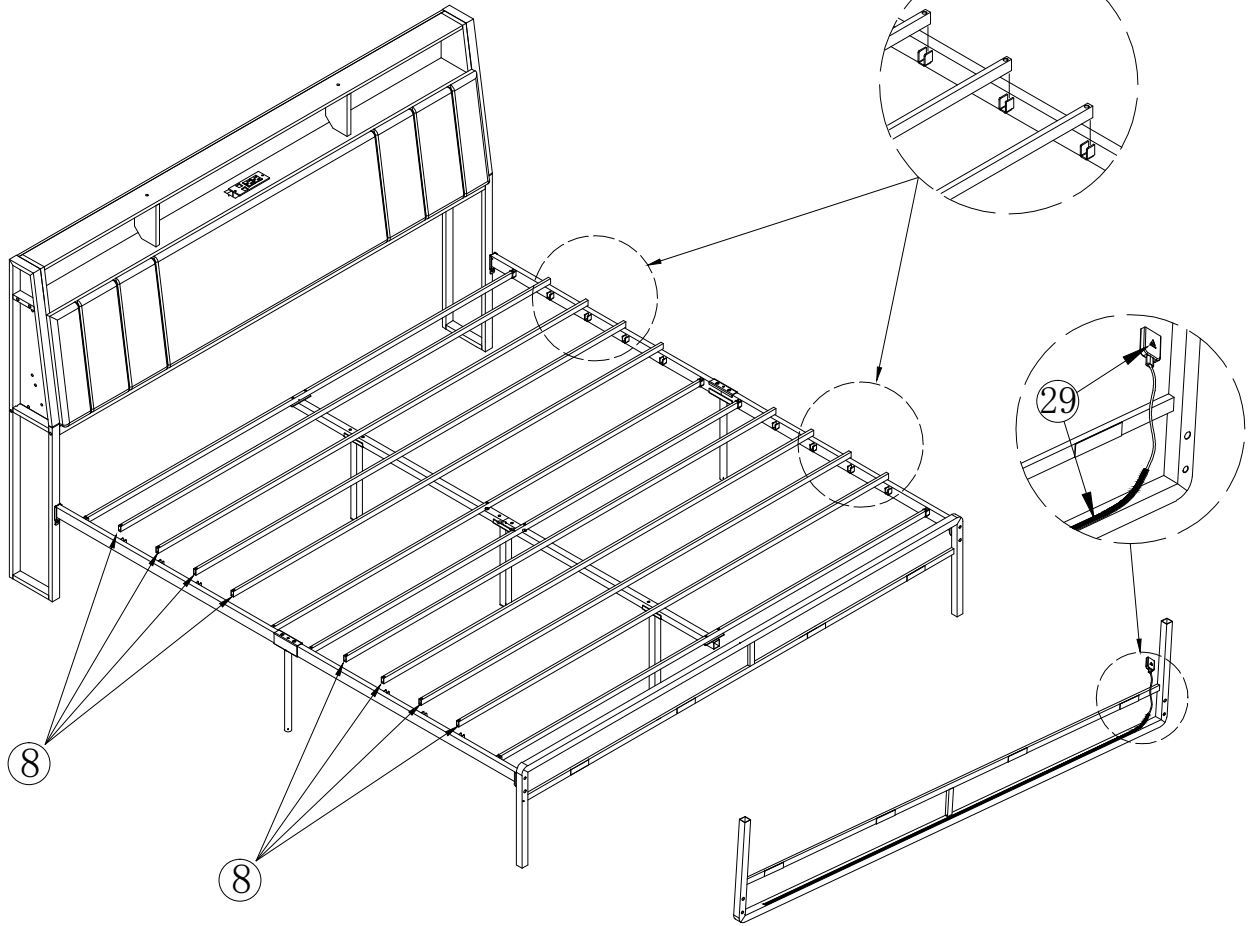
	
M8x30mm	
H	8PCS
	
M8	
I	4PCS
	
Ø8	
G	8PCS


	
	

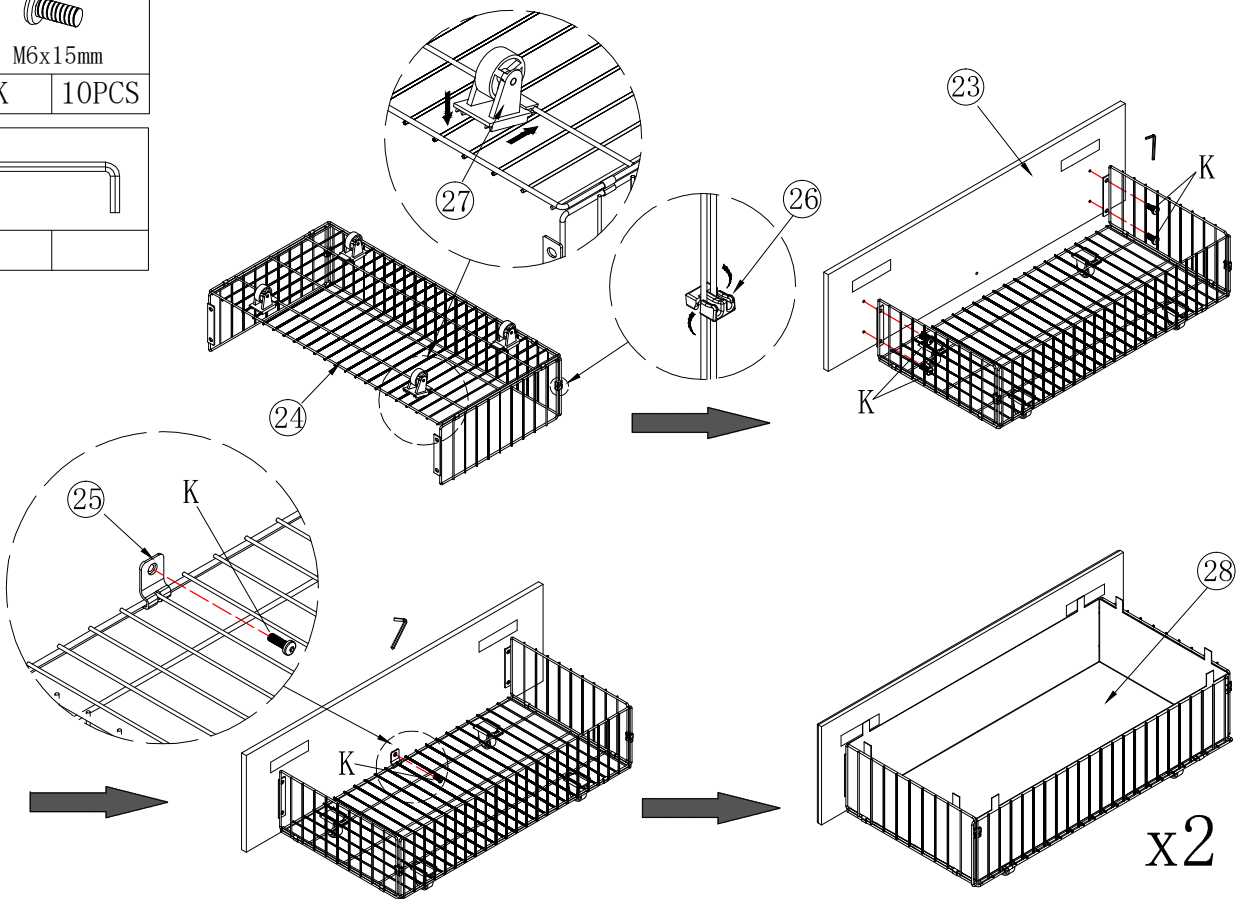
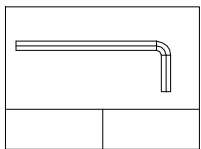


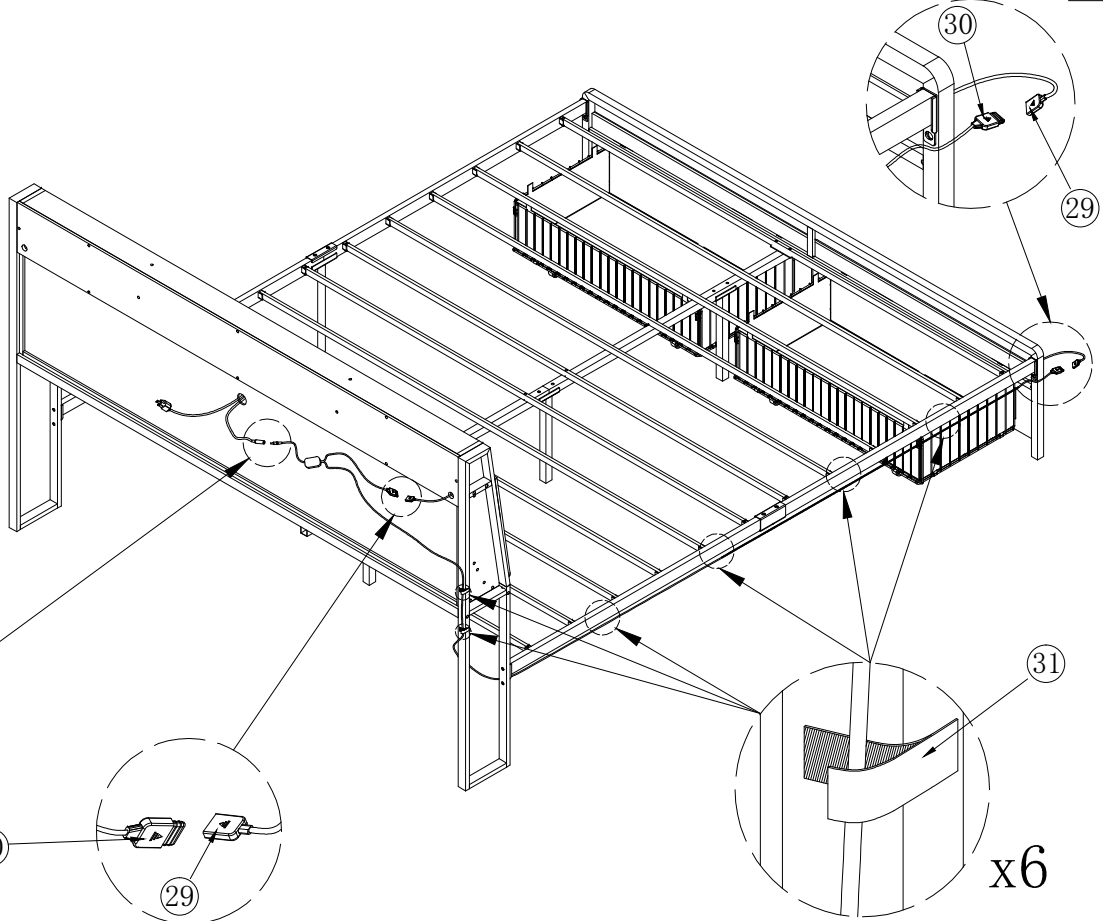
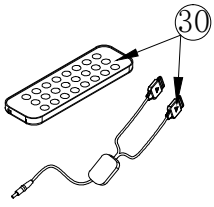
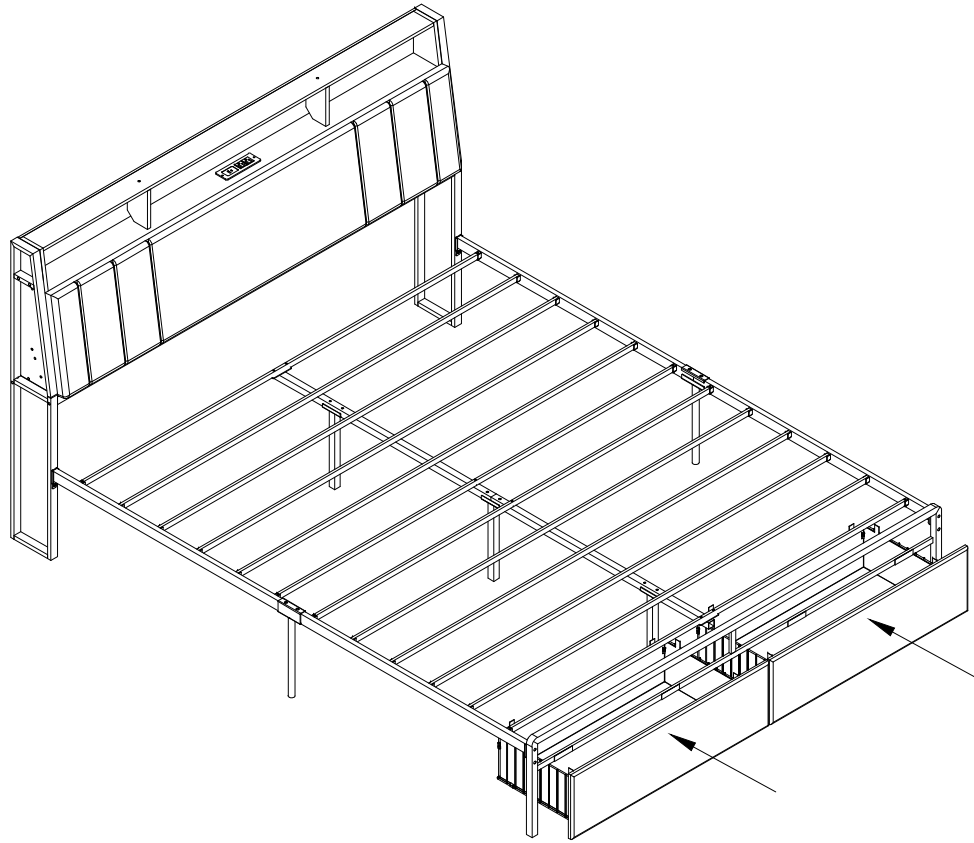






	M6x15mm
K	10PCS





x6

