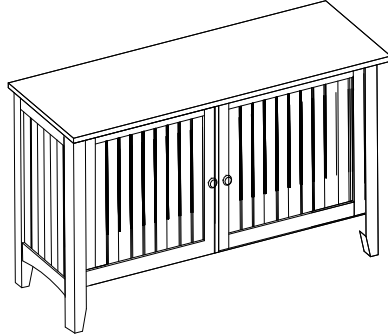


Storage Bench



Thank you for purchasing our Storage Bench. We have found it helpful to have a second person present in at least one step of the assembly.

Storage Bench Assembly Instructions

Lay out all parts on a "non-abrasive" surface to avoid scratching furniture.

NO.	DRAWING	DESCRIPTION	QTY	NO.	DRAWING	DESCRIPTION	QTY
A		TOP PANEL	1	E		BOTTOM PANEL	1
B		LEFT SIDE ASSEMBLY	1	F		RIGHT DOOR	1
C		RIGHT SIDE ASSEMBLY	1	G		LEFT DOOR	1
D		MID PANEL	1	H		BACK PANEL	1

NO.	RAWING	ESCRPTION	QTY	NO.	RAWING	ESCRPTION	QTY
I		HEXAGONAL BOLT M6*30	8	M		SCREW	2
J		EXAGONAL BOLT M6*6	2	N		KNOB	2
K		WOOD DOWEL	4			KNOB SCREW #4*25	2
L		ALLEN WRENCH	1	P		EX WRENCH	1

PARTS

Step 1

Read through these instructions thoroughly before beginning assembly. We have found this to be of great value when first assembling this product.

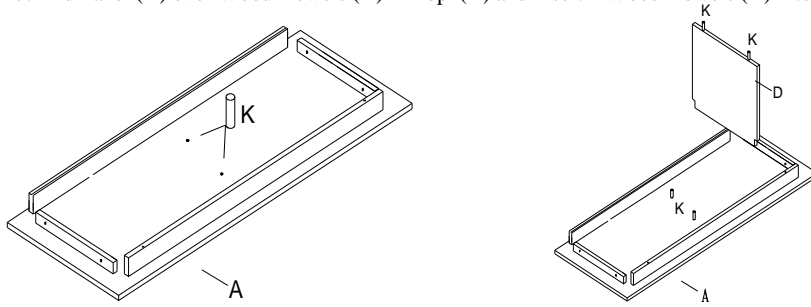
Step 2

Remove all parts and hardware from packing material. Wooden pieces should be placed on a non-abrasive surface (like the carton or carpet) to prevent damage to the finish.

Step 3 and 4

Lay Top Panel (A) upside down and insert 2 Wood Dowels (K) into holes in center of Top Panel (A).

Put Mid Panel (D) over Wood Dowels (K) in Top (A) and insert 2 Wood Dowels (K) into bottom of Mid Panel (D).



Step 5, 6 and 7

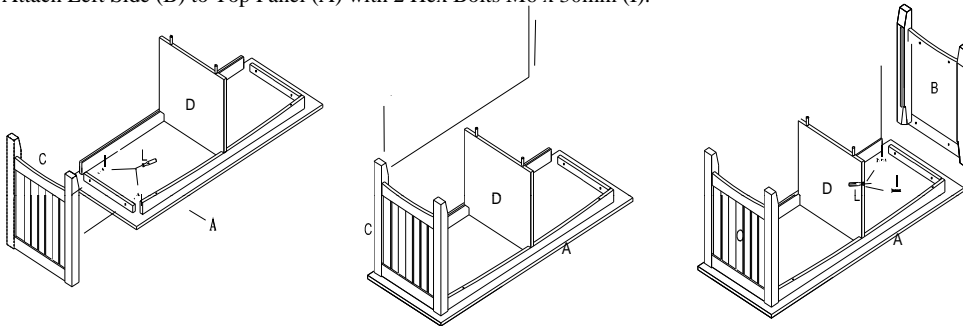
Note: It will help to have a second person at this time to assist in assembly.

Attach Right Side (C) to Top Panel (A) with 2 Hex Bolts M6 x 30mm (I).

**Note: bench is upside-down
right panel is on left-hand side.**

Slide Back Panel (H) into groove in Top Panel (A) and Right Side (C).

Attach Left Side (B) to Top Panel (A) with 2 Hex Bolts M6 x 30mm (I).



Step 8, 9 and 10

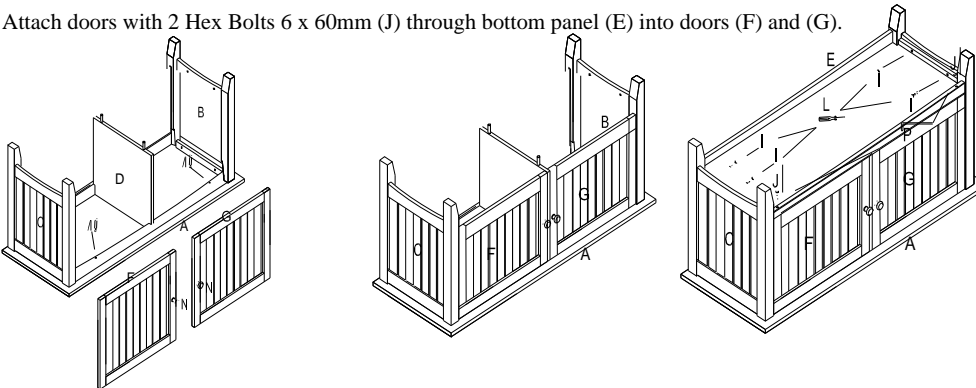
Attach knobs (N) to doors (F) and (G) with knob screw (O).

Insert Screw (M) into threaded inserts in front rail of Top Panel (A).

Set doors (F) and (G) in place on top of Screws (M).

Attach Bottom Panel (E) with 4 Hex Bolts 6 x 30mm (I).

Attach doors with 2 Hex Bolts 6 x 60mm (J) through bottom panel (E) into doors (F) and (G).



CARE

Clean with mild soap and wipe dry.

REPLACEMENT PARTS

Please do not contact the company you purchased from as we can help you faster.