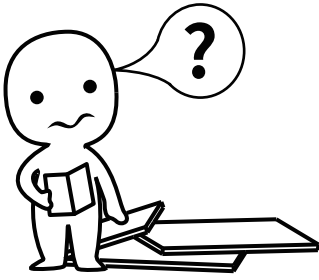


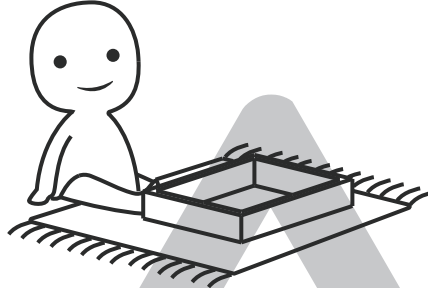
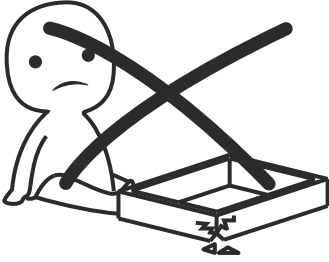
# **INSTALLATION**

*Product Manual*



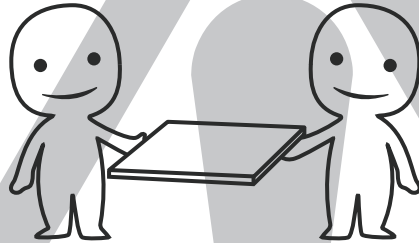
### **IMPORTANT INFORMATION!**

Please read the entire manual before starting to assemble and/or using this product. Follow the manual thoroughly and keep it for further reference.



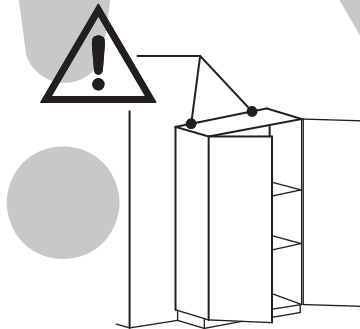
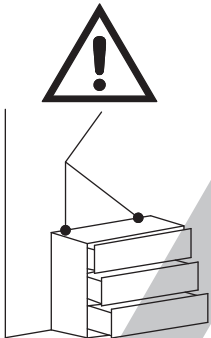
### **AVOID SCRATCHES!**

In order to avoid scratching this furniture should be assembled on a soft layer-could be a rug.



### **IMPROVE EFFICIENCY !**

Try to find a partner to install with you, which can speed up the installation efficiency and shorten the time.



### **ANTI-TOPPLE WARNING !**

Overturnd furniture can cause serious or fatal crush injuries. To prevent tipping over, be sure to use the wall attachment, if not included with this product. Please purchase the wall attachment that fit your wall. If unsure, seek professional advice. Please read and follow each step of the instructions carefully.

### **IMPORTANT !**

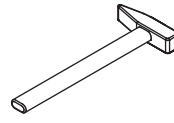
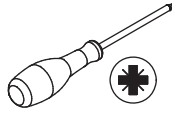
It is important that any product which is assembled using any kind of screw is re-tightened 2 weeks after assembly, and once every 3 months - in order to assure stability through-out the lifespan of the product.

For regular maintenance and cleaning of the product, for the frame, please use a rag dipped in neutral detergent to fully wipe it, and then dry it with a clean rag. For glass materials, wipe with a rag dampened with water glass cleaner, and then dry with a dry rag.

Do not use an electric screwdriver, and do not use too much force when installing, because the board is easy to break.

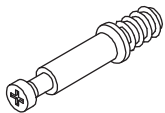


Please prepare the following tools



When installing, please carefully confirm whether each screw corresponds to the manual, accessories with similar shapes can be distinguished by size

A x 93+3



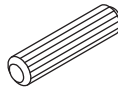
Ø6.5 x 35 mm

B x 93+3



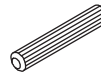
Ø15 x 9 mm

C x 52+3



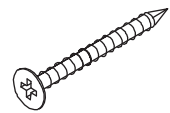
Ø8 x 30 mm

D x 26+2



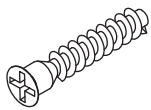
Ø6 x 30 mm

E x 12+1



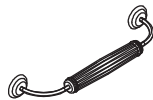
Ø4 x 32 mm

F x 10+1



Ø6 x 50 mm

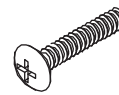
G x 2



H x 2



J x 4+1



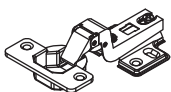
Ø4 x 18 mm

K x 4+1



Ø4 x 6 mm

L x 4



Ø35 mm

M x 4+1



N x 12+1



Ø4 x 14 mm

P x 48+5



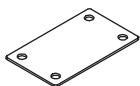
Ø3.5 x 14 mm

Q x 8+1



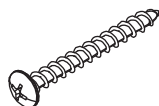
Ø6 x 30 mm

R x 2



60 x 38 x 1 mm

S x 2



Ø4 x 40 mm

S x 2



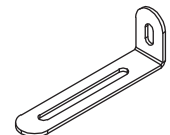
Ø4 x 12 mm

S x 2



Ø8 x 29 mm

S x 2



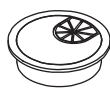
73 x 15 x 24 mm

T x 1set



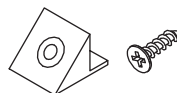
Ø5 x 346 mm

U x 1

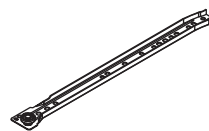


Ø50 mm

V x 30+1

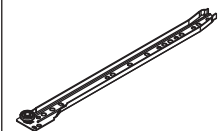


CL x 2

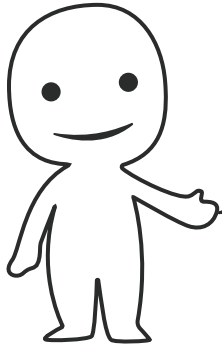


14"

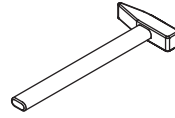
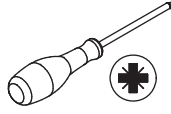
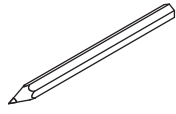
CR x 2



14"

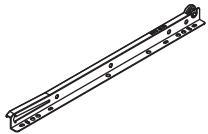


Please prepare the following tools



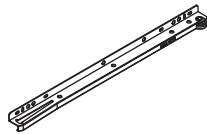
When installing, please carefully confirm whether each screw corresponds to the manual, accessories with similar shapes can be distinguished by size

DL x 2

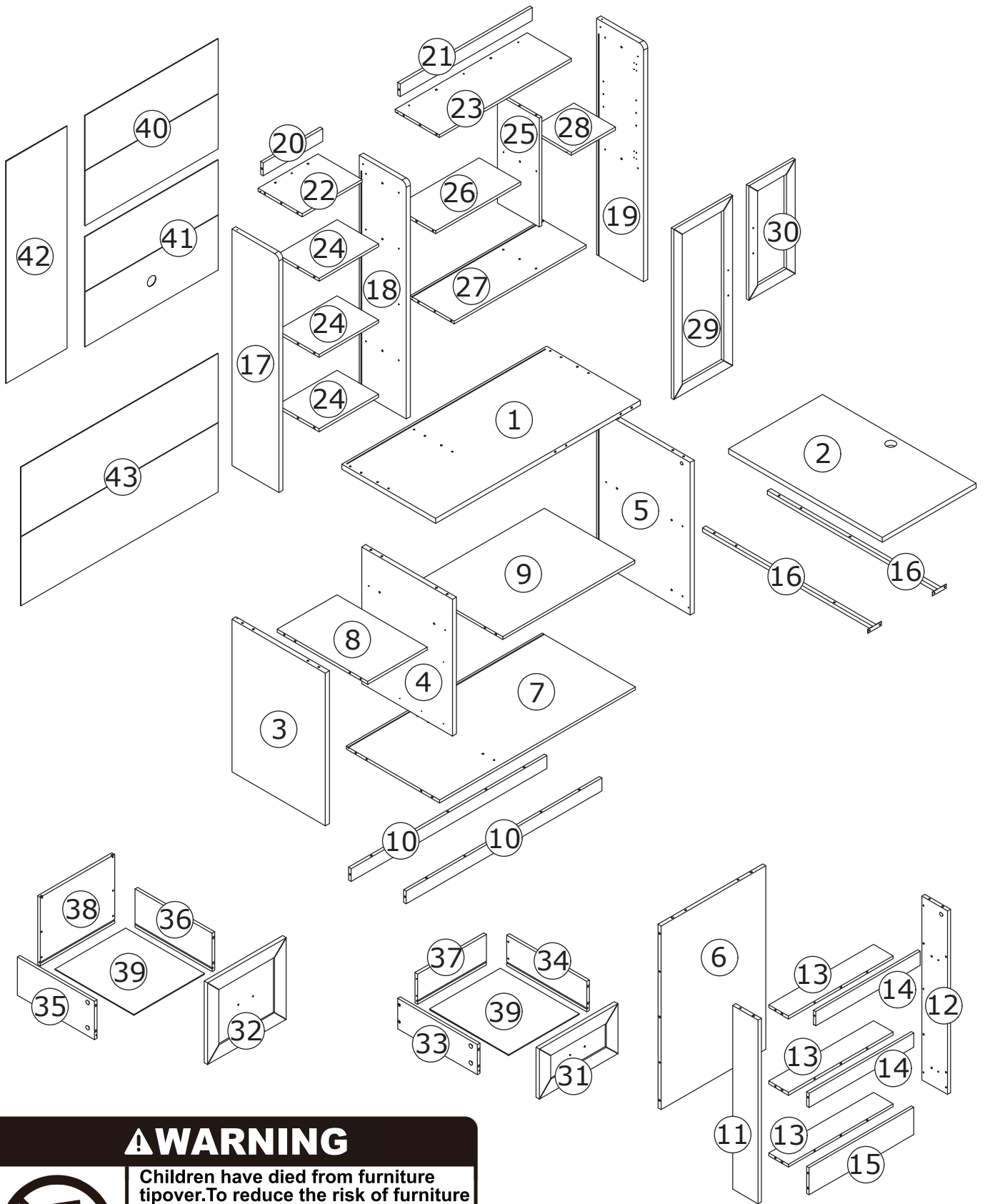


14"

DR x 2



14"



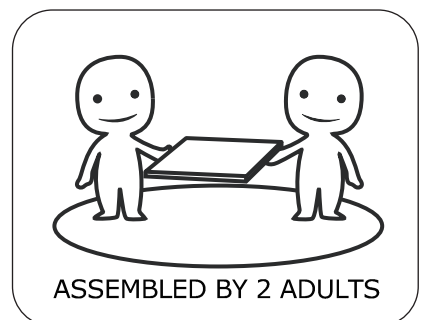
## ⚠ WARNING



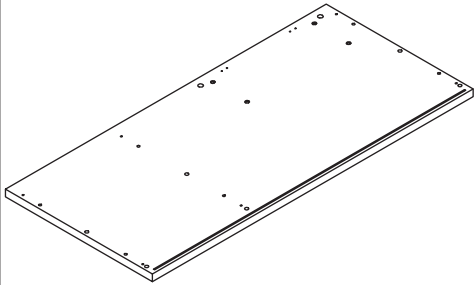
**Children have died from furniture tipover. To reduce the risk of furniture tipover:**

- ALWAYS install Anti-tip device provided.
- NEVER put a TV on this product.
- NEVER allow children to stand, climb or hang on drawers, doors, or shelves.
- NEVER open more than one drawer at a time.
- Place heaviest items in the lowest drawers.

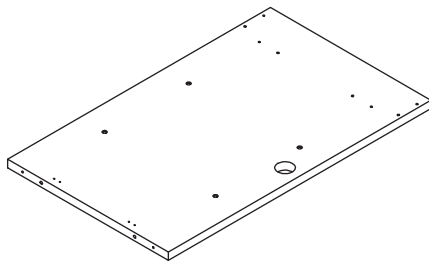
*This is a permanent label.  
Do not remove!*



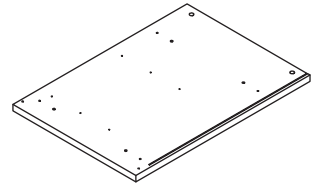
① x1



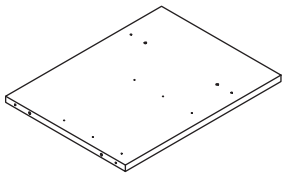
② x1



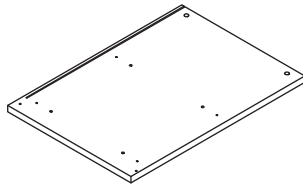
③ x1



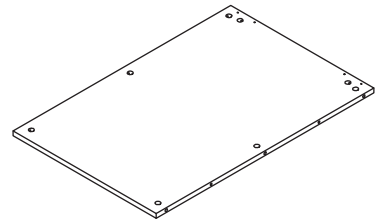
④ x1



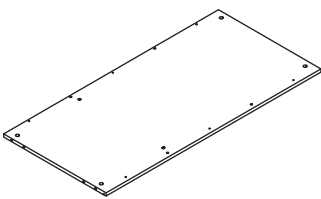
⑤ x1



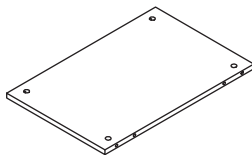
⑥ x1



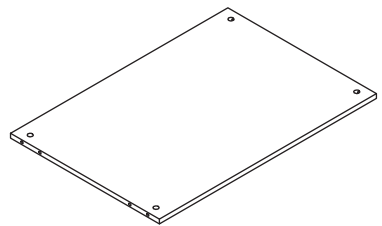
⑦ x1



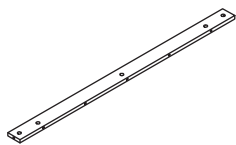
⑧ x1



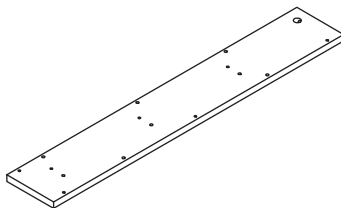
⑨ x1



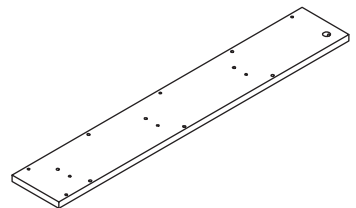
⑩ x2



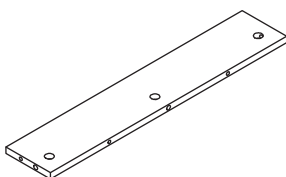
⑪ x1



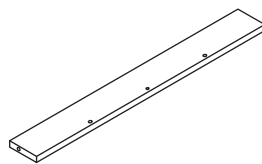
⑫ x1



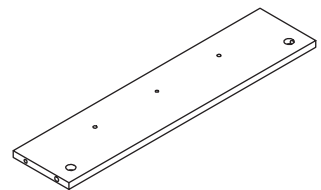
⑬ x3



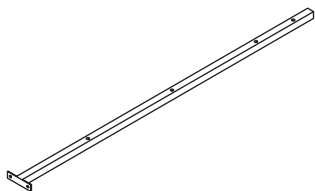
⑭ x2



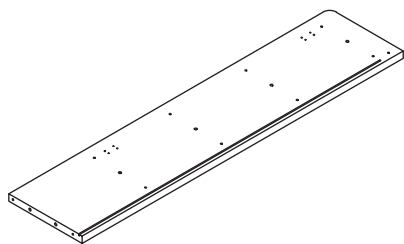
⑮ x1



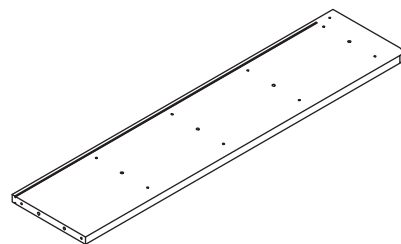
16x2



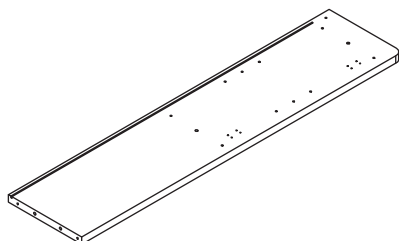
17x1



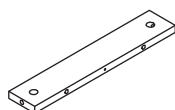
18x1



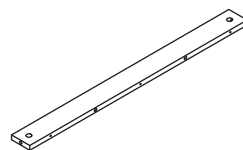
19x1



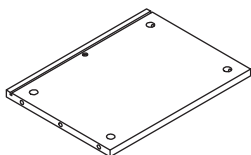
20x1



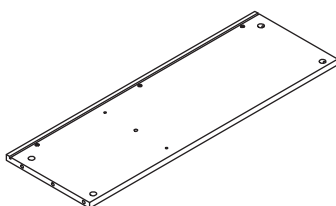
21x1



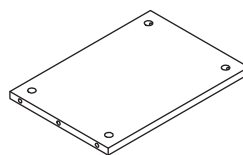
22x1



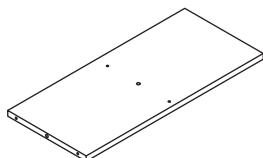
23x1



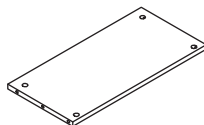
24x3



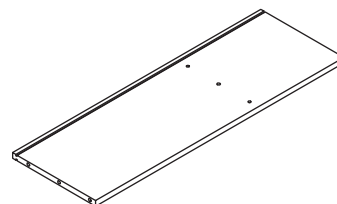
25x1



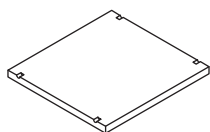
26x1



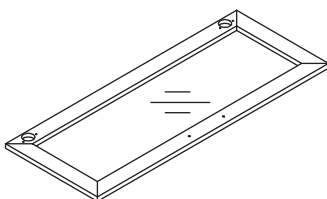
27x1



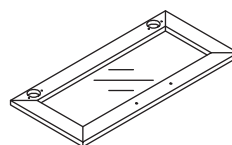
28x1



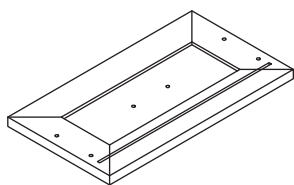
29x1



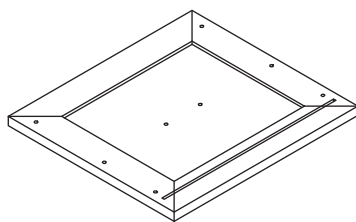
30x1



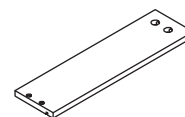
31x1



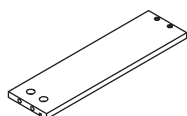
32x1



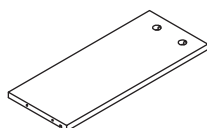
33x1



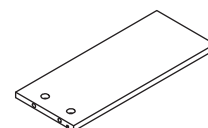
34x1



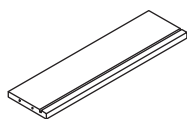
35x1



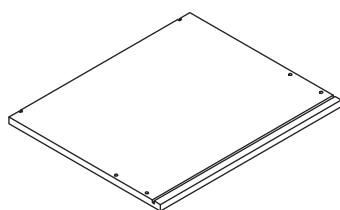
36x1



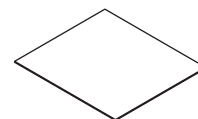
37x1



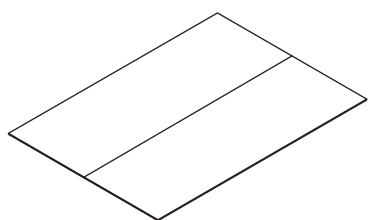
38x1



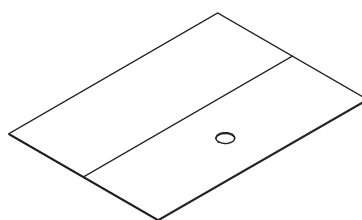
39x2



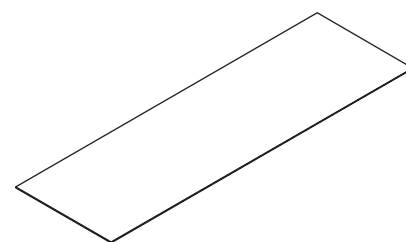
40x1



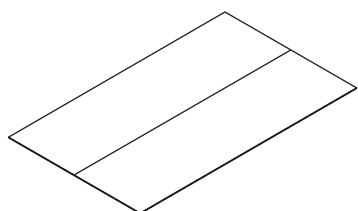
41x1



42x1



43x1

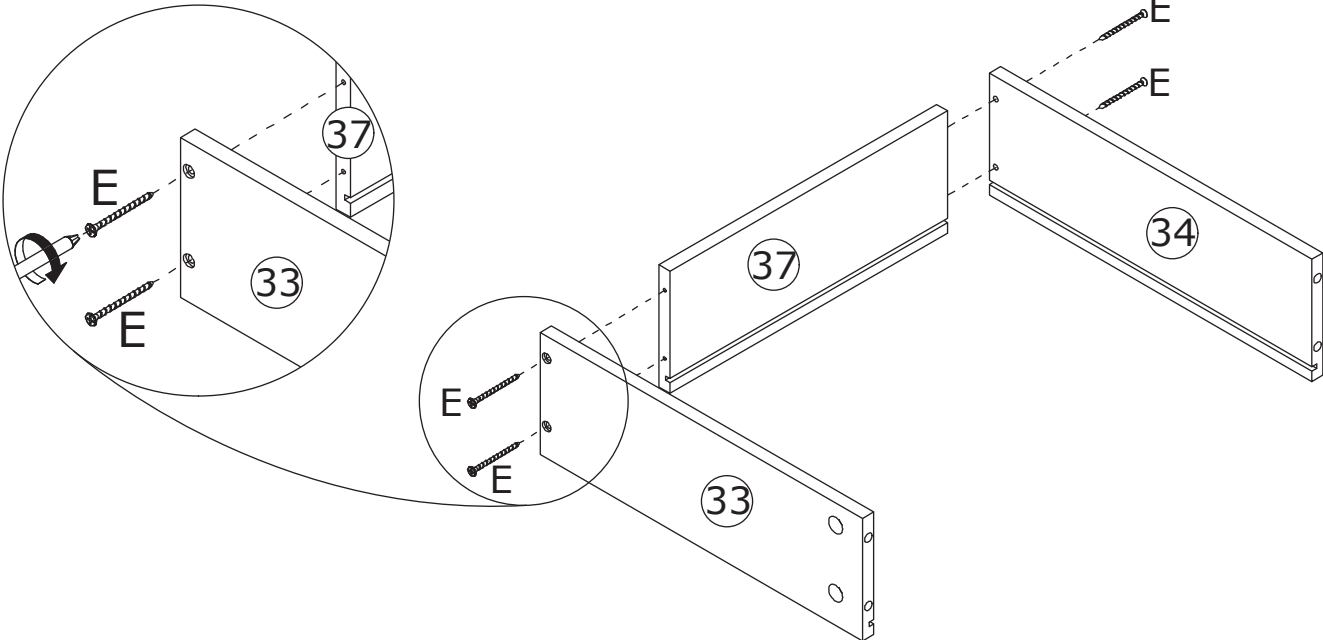


1

E x 4  
Ø4 x 32 mm



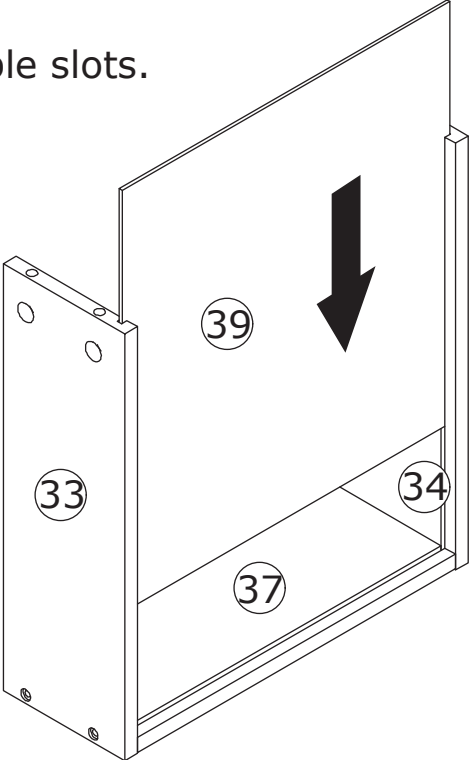
Secure parts 33, 34, and 37 with screws (E).



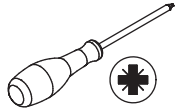
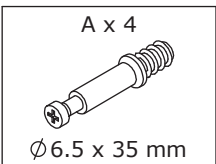
2



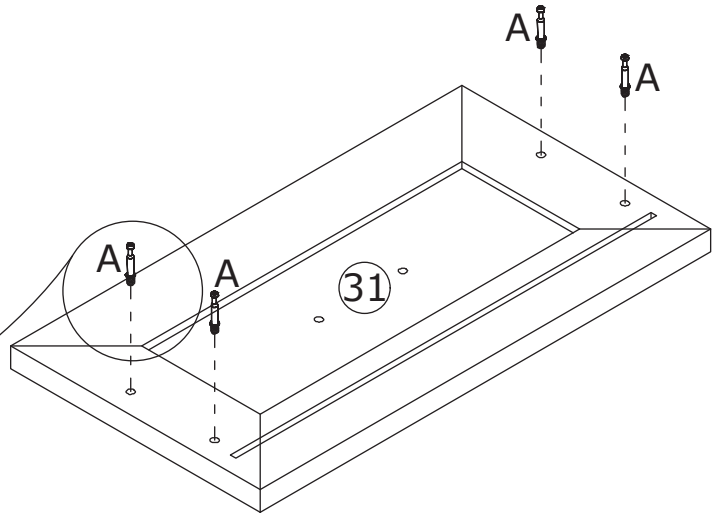
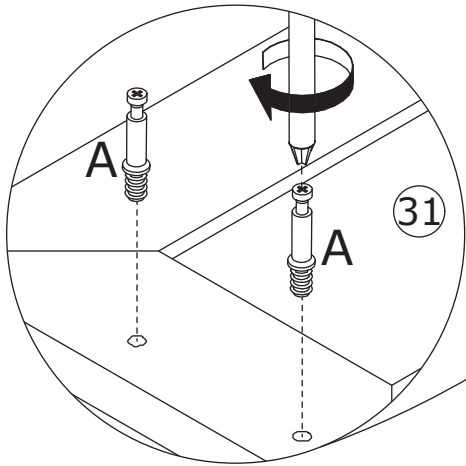
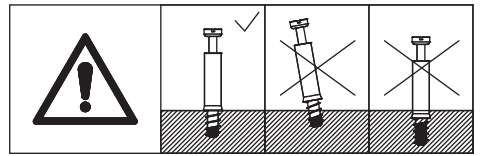
Insert part 39 into the available slots.



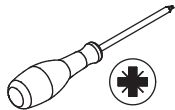
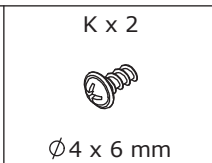
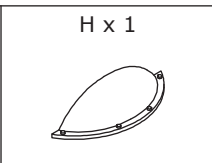
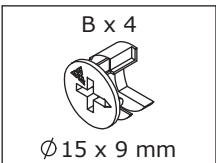
3



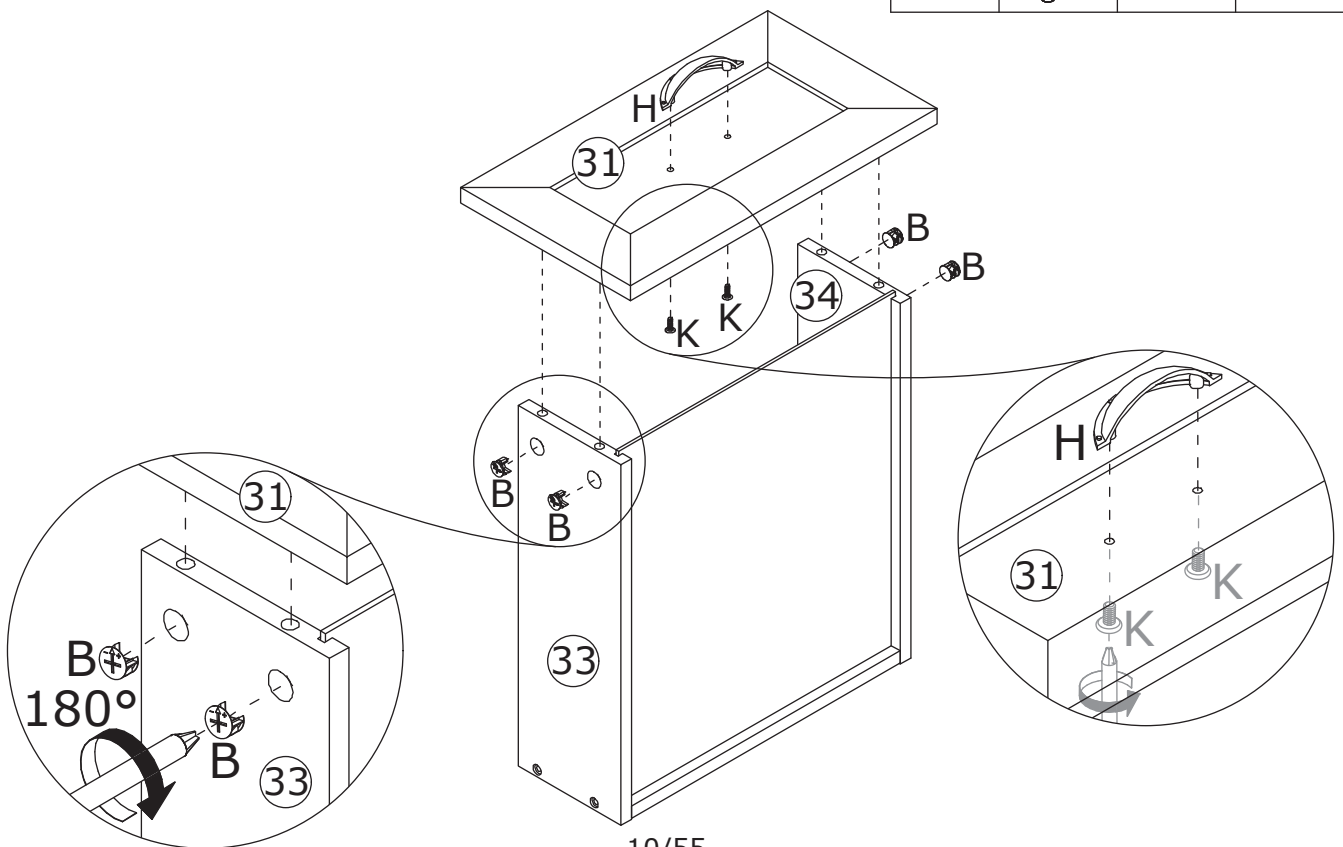
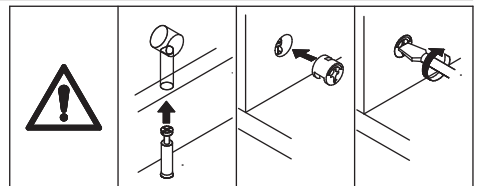
Screw eccentric rods (A) onto part 31.



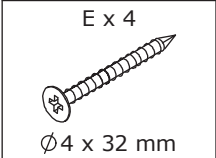
4



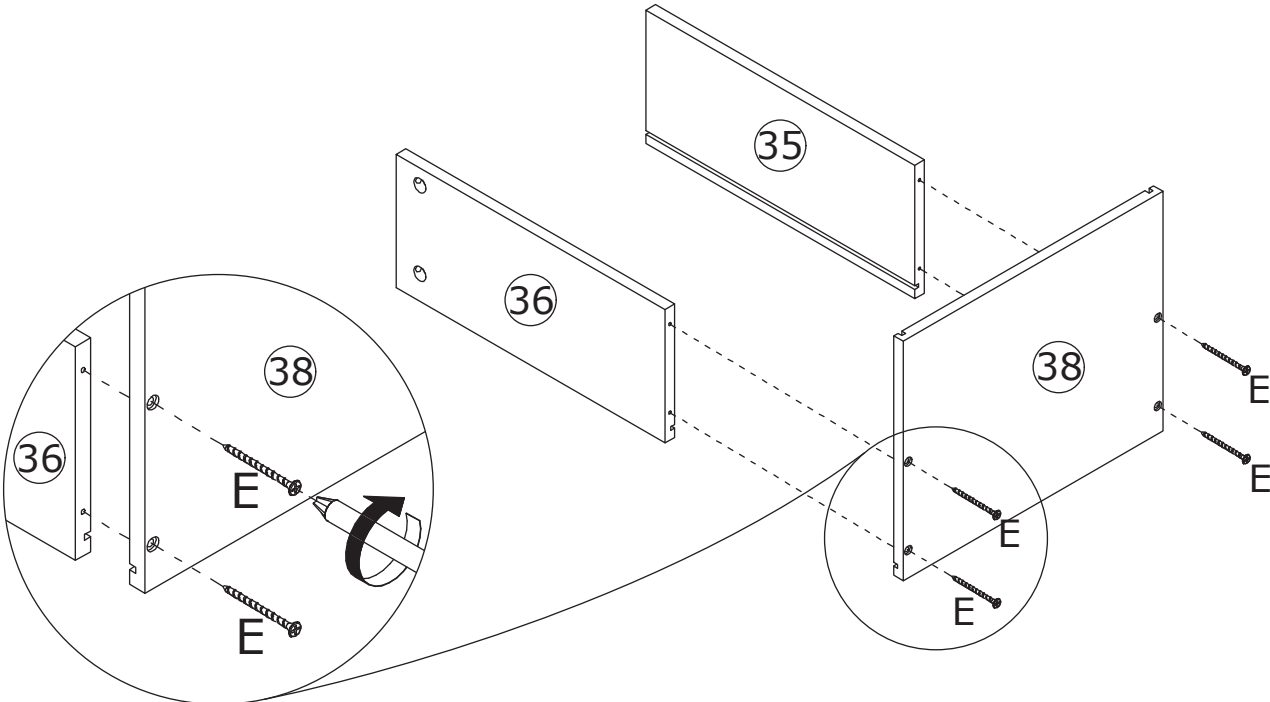
Connect part 31 to parts 33 and 34, tighten by turning cam locks (B) clockwise. Secure handle (H) with screws (K).



5



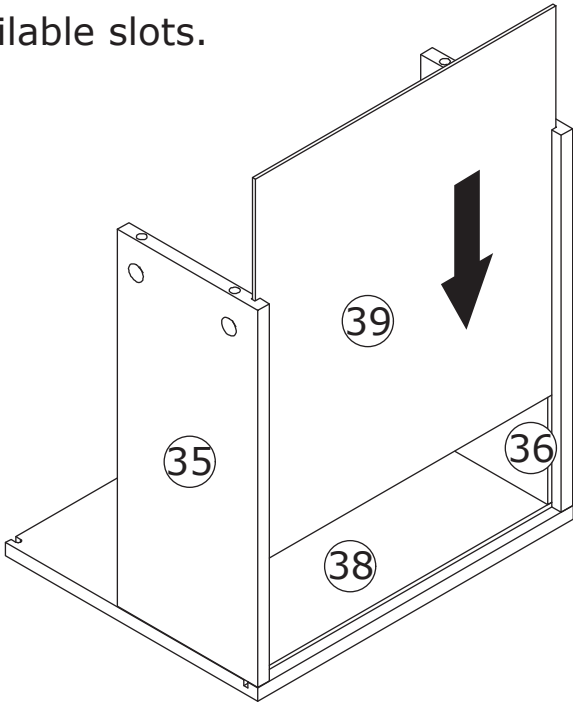
Secure parts 35, 36, and 38 with screws (E).



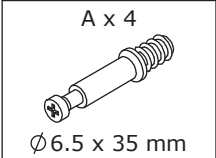
6



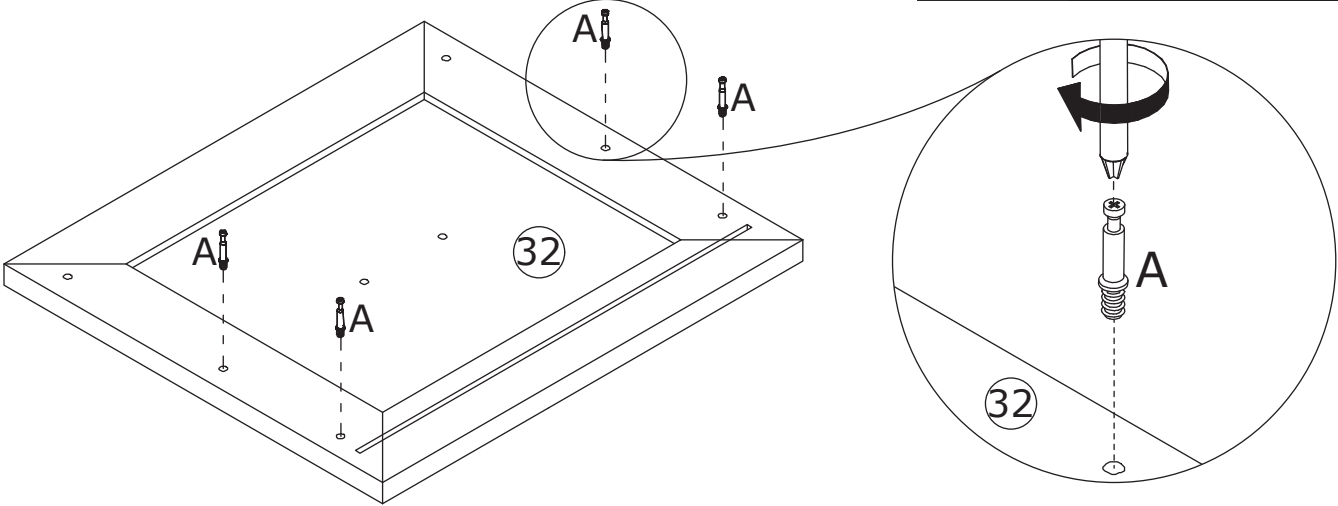
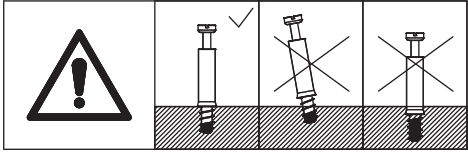
Insert part 39 into the available slots.



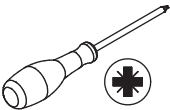
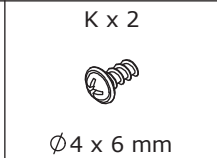
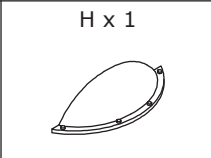
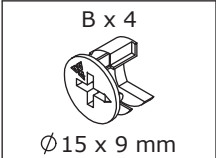
7



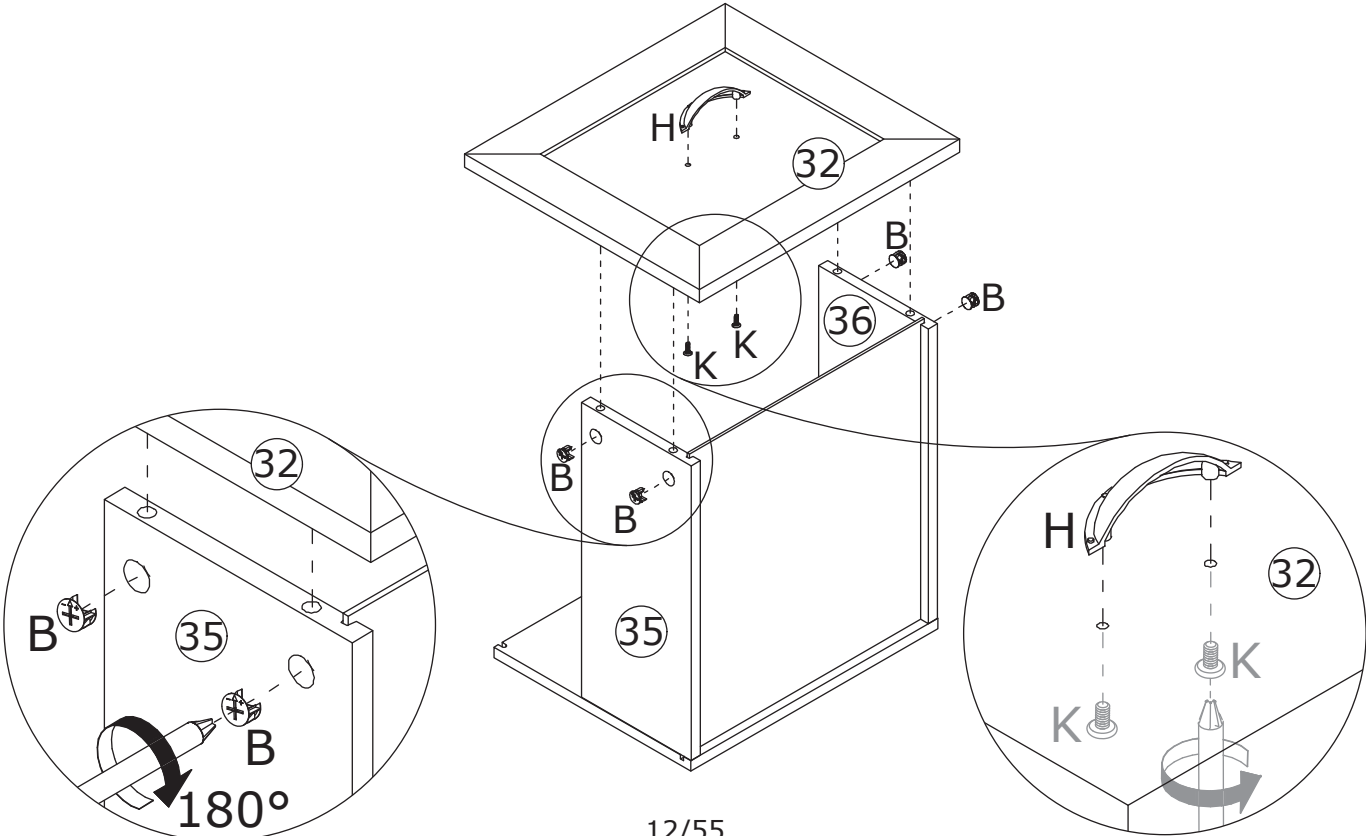
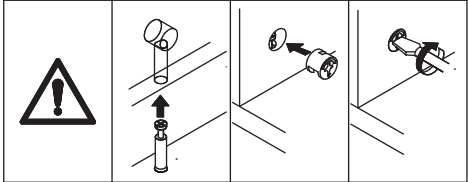
Screw eccentric rods (A) onto part 32.



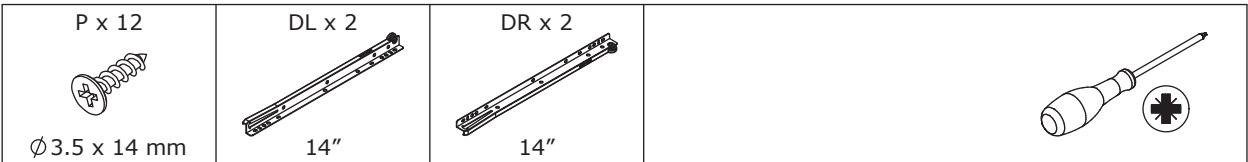
8



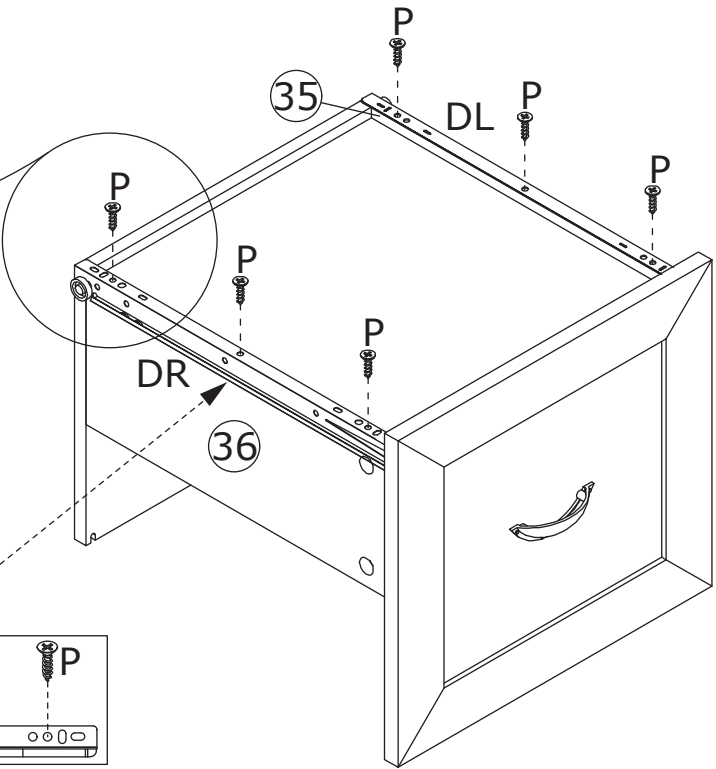
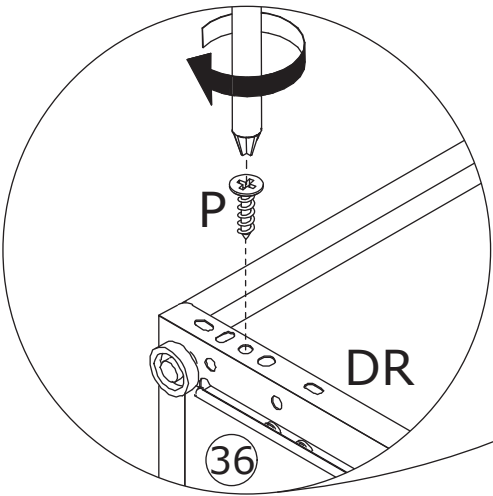
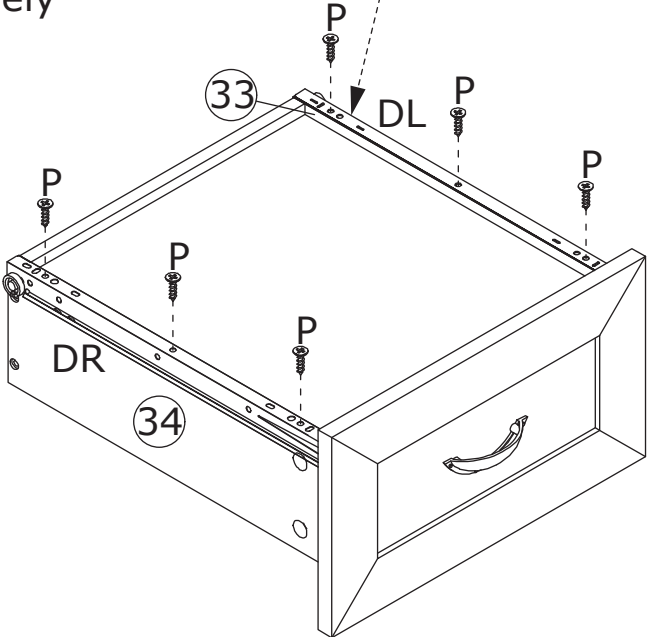
Connect part 32 to parts 35 and 36, tighten by turning cam locks (B) clockwise. Secure handle (H) with screws (K).



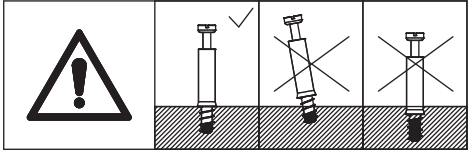
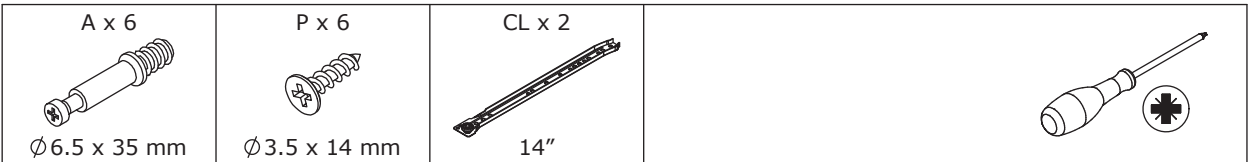
9



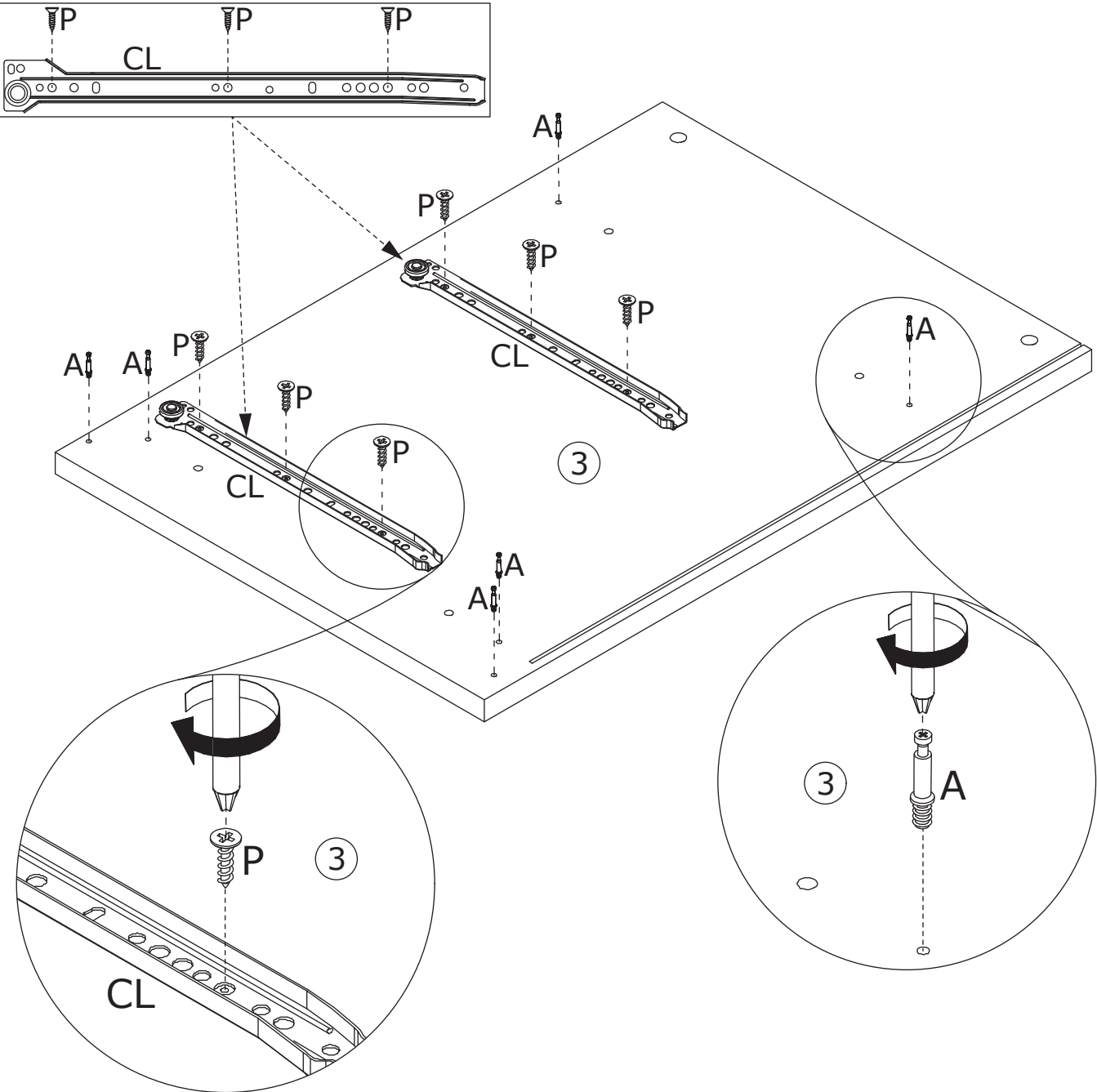
Secure slide rail (DL) and (DR) to parts 33, 35 and 34, 36 respectively with screws (P).



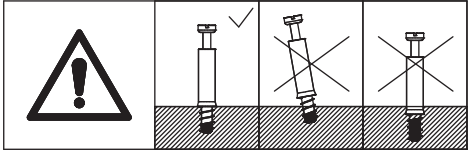
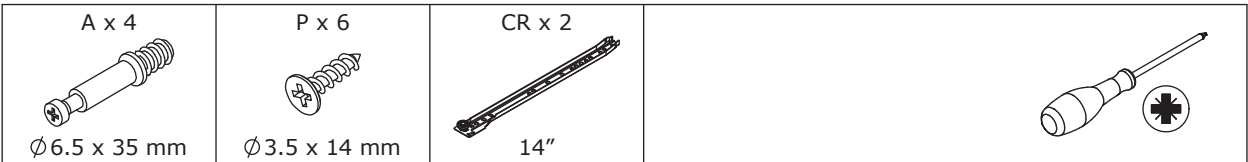
10



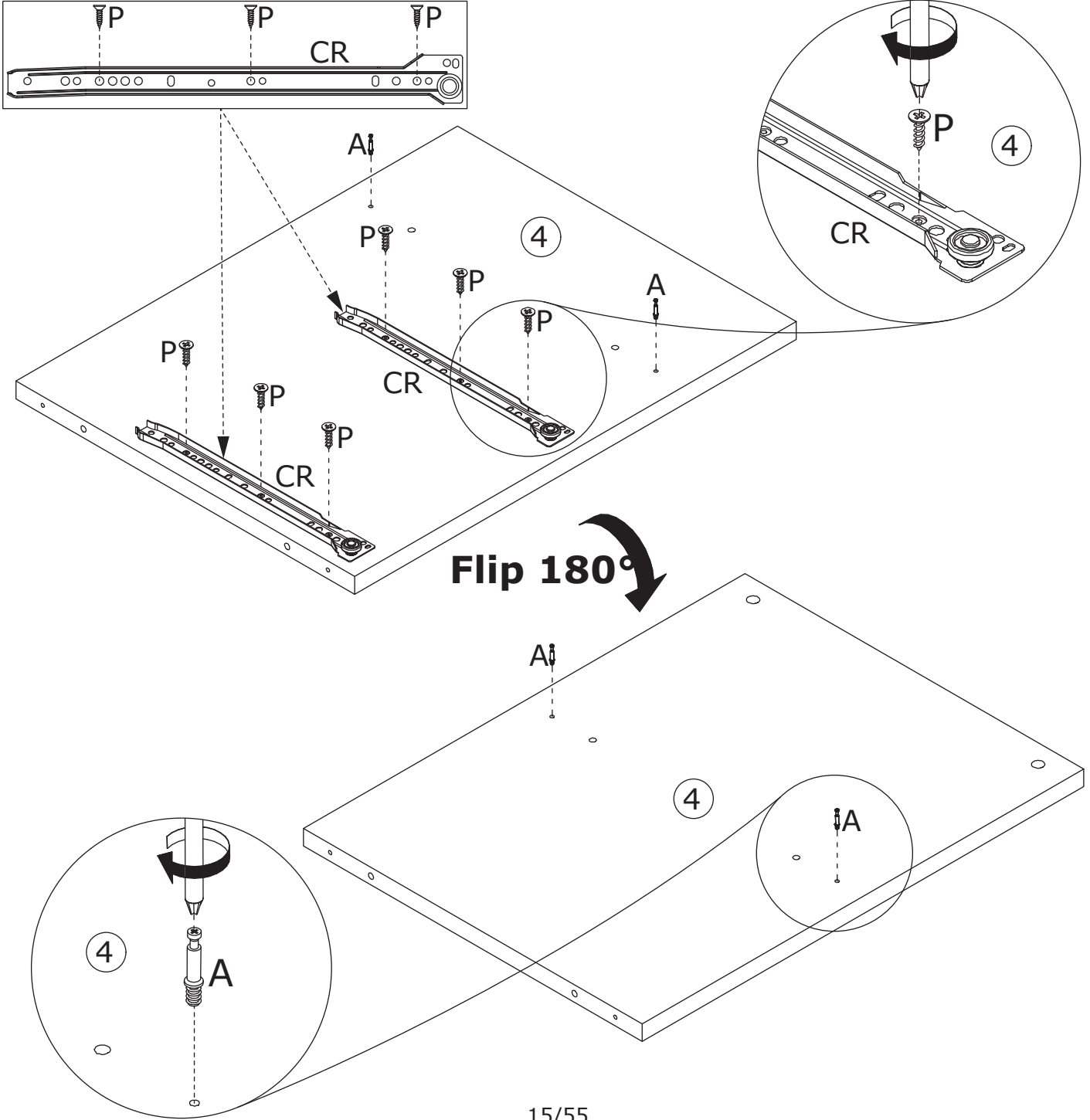
Screw eccentric rods (A) onto part 3.  
Secure slide rail (CL) to part 3 with screws (P).



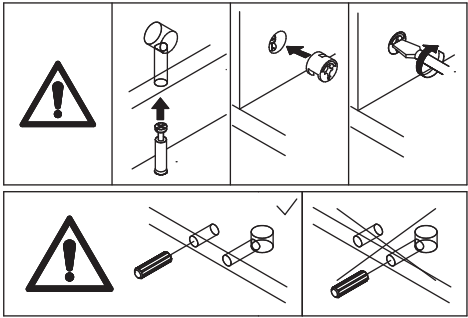
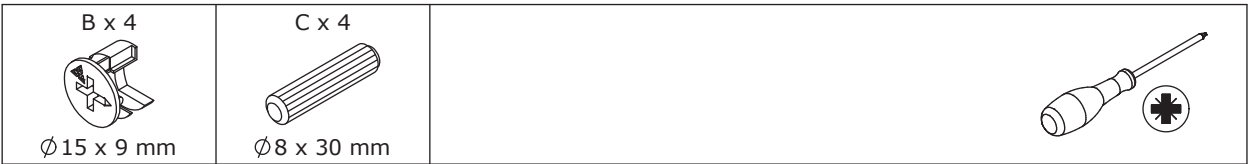
11



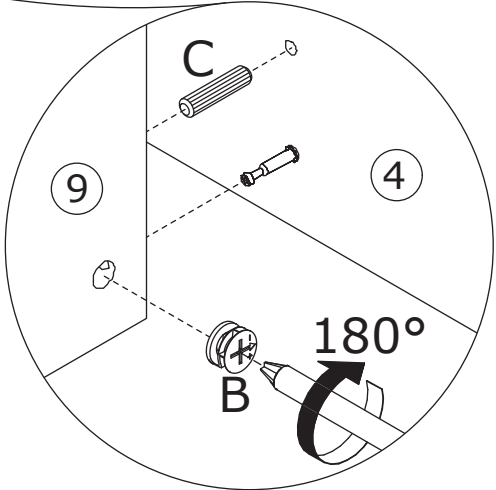
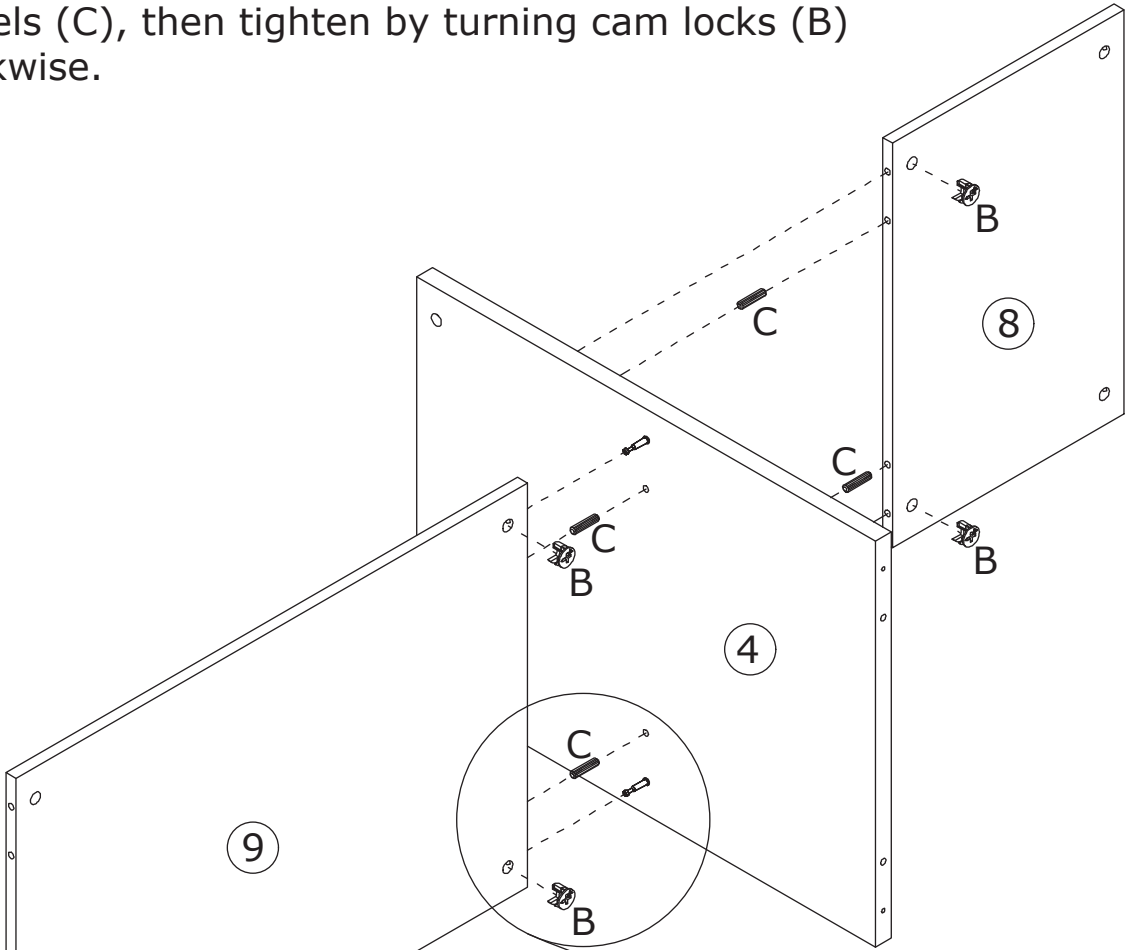
Secure slide rail (CR) to part 4 with screws (P).  
**Flip to back**, then screw eccentric rods (A) onto part 4.



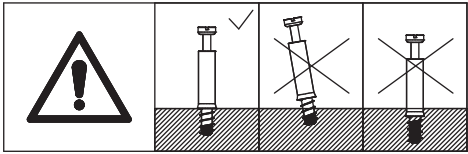
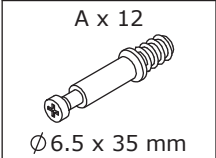
12



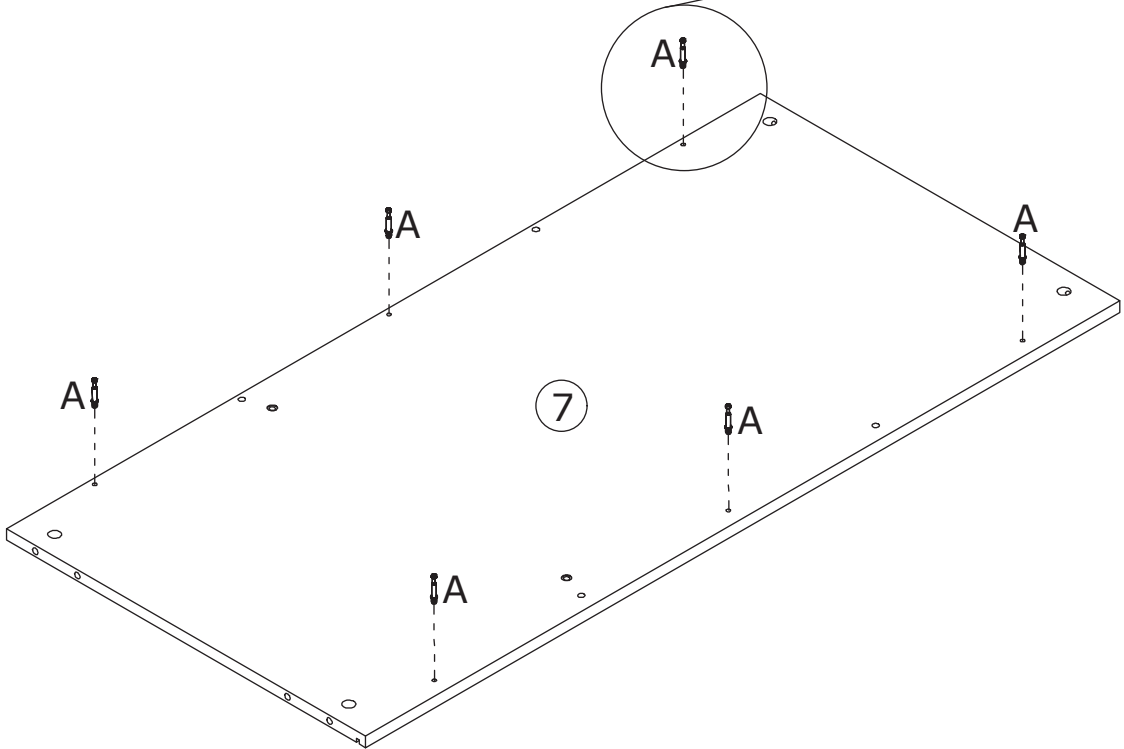
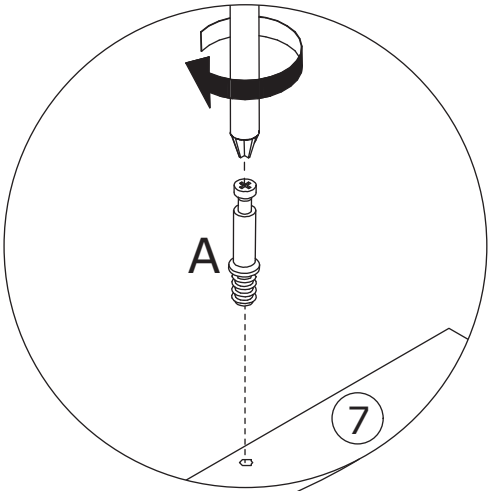
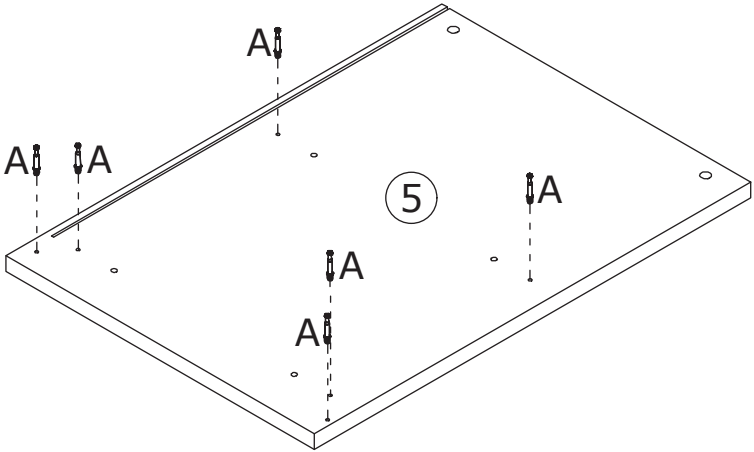
Connect parts 8 and 9 to part 4 using wooden dowels (C), then tighten by turning cam locks (B) clockwise.



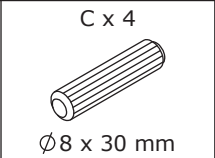
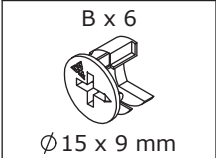
13



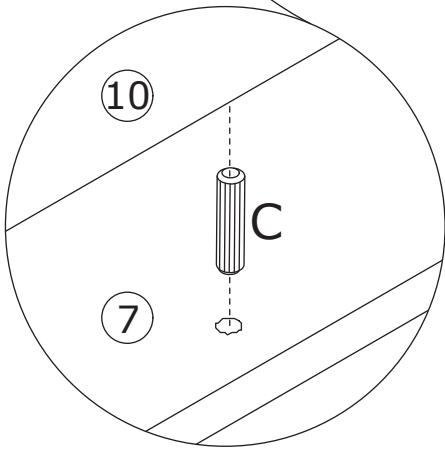
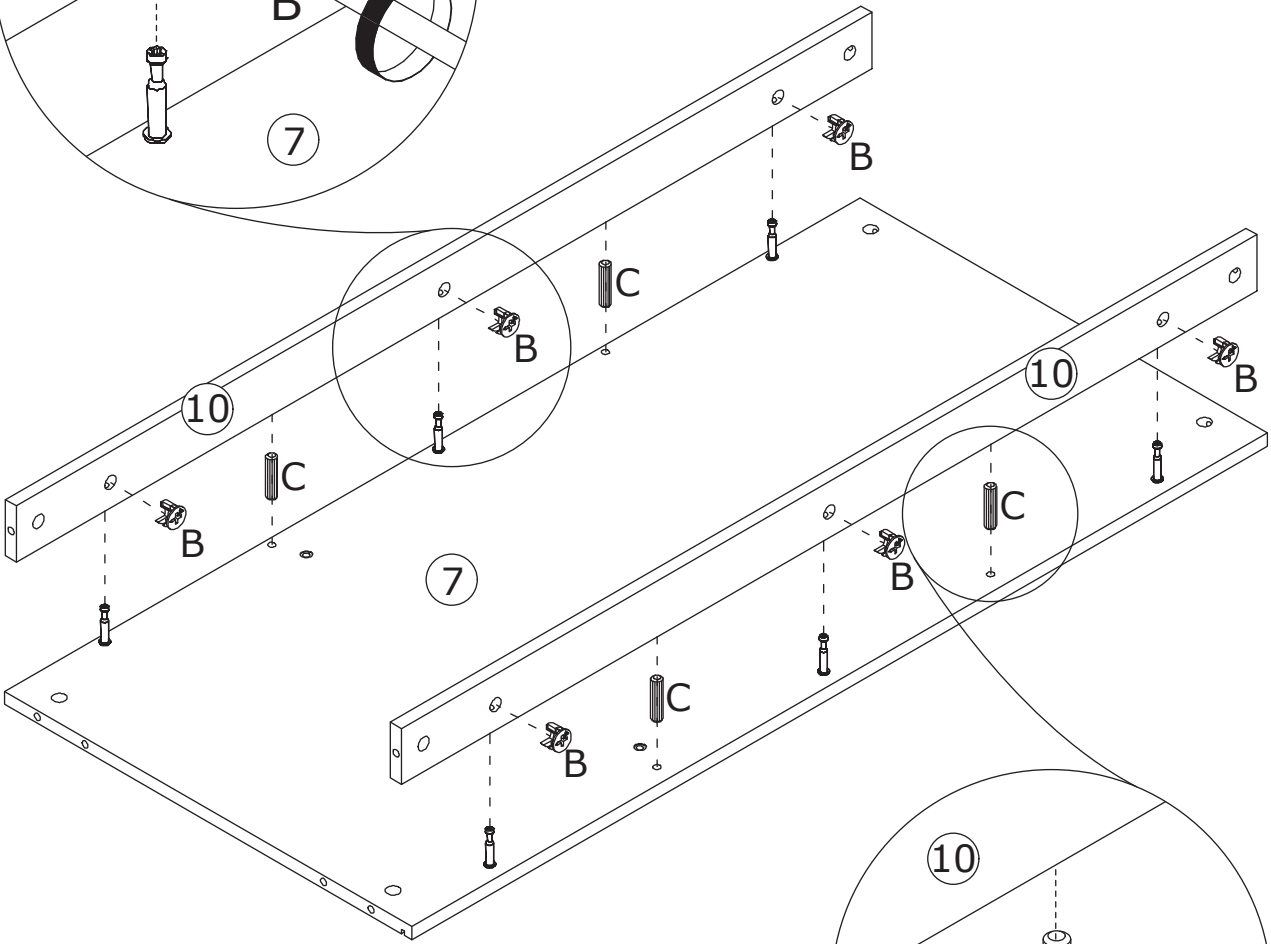
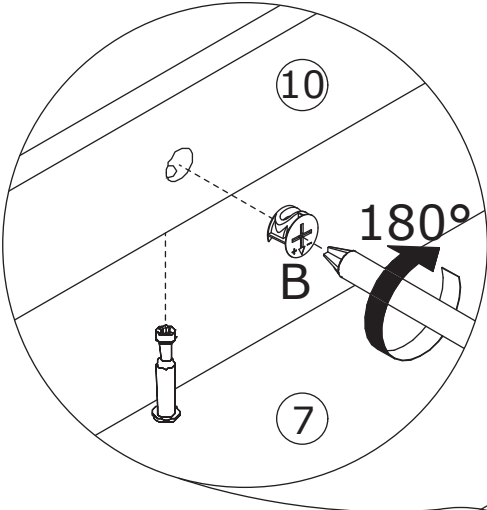
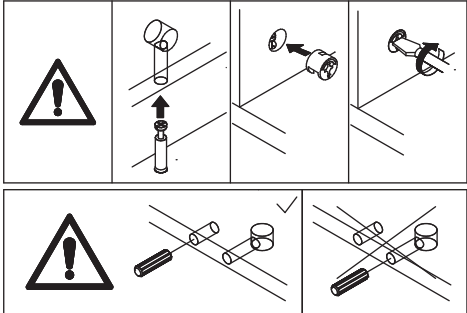
Screw eccentric rods (A) onto parts 5 and 7.



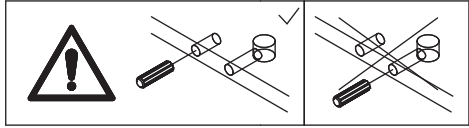
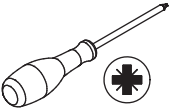
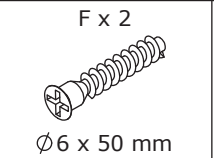
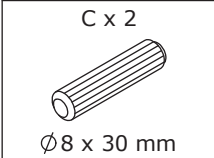
14



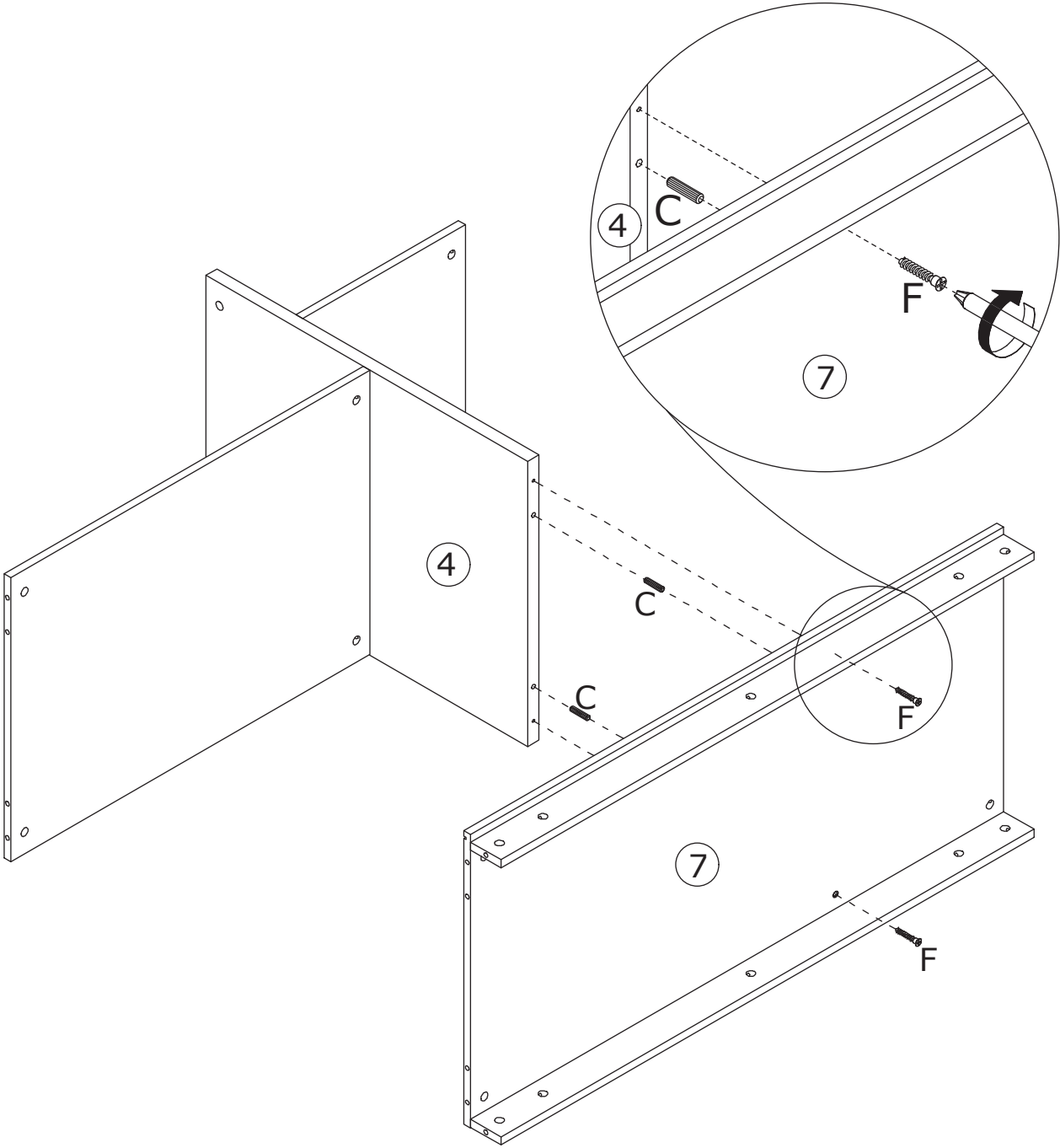
Connect part 10 to part 7 using wooden dowels (C), then tighten by turning cam locks (B) clockwise.



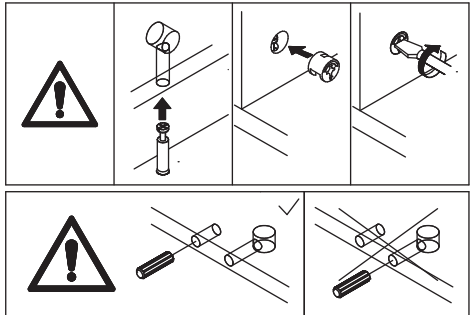
15



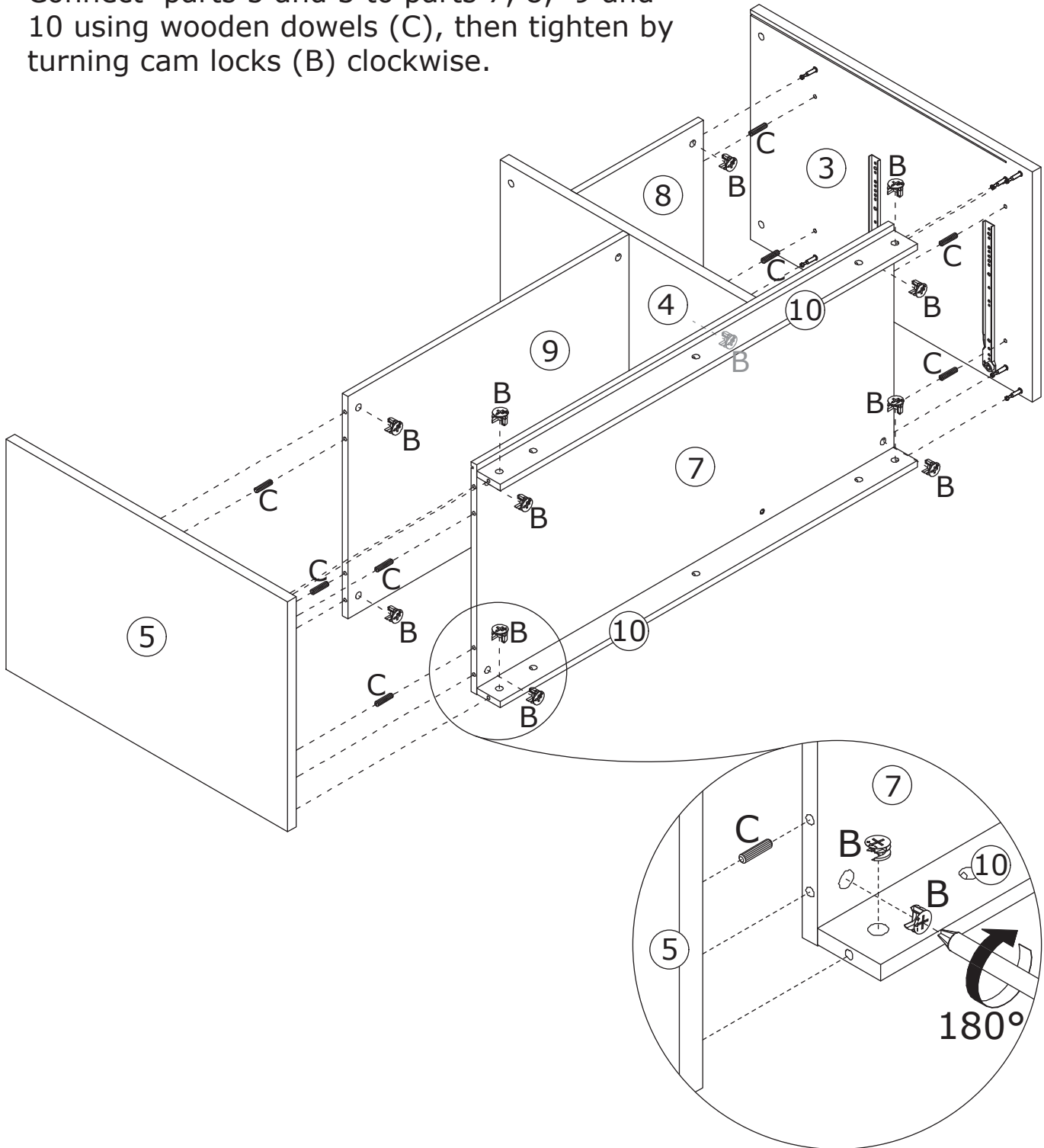
Connect part 7 to part 4 using wooden dowels (C), and secure with screws (F).



# 16

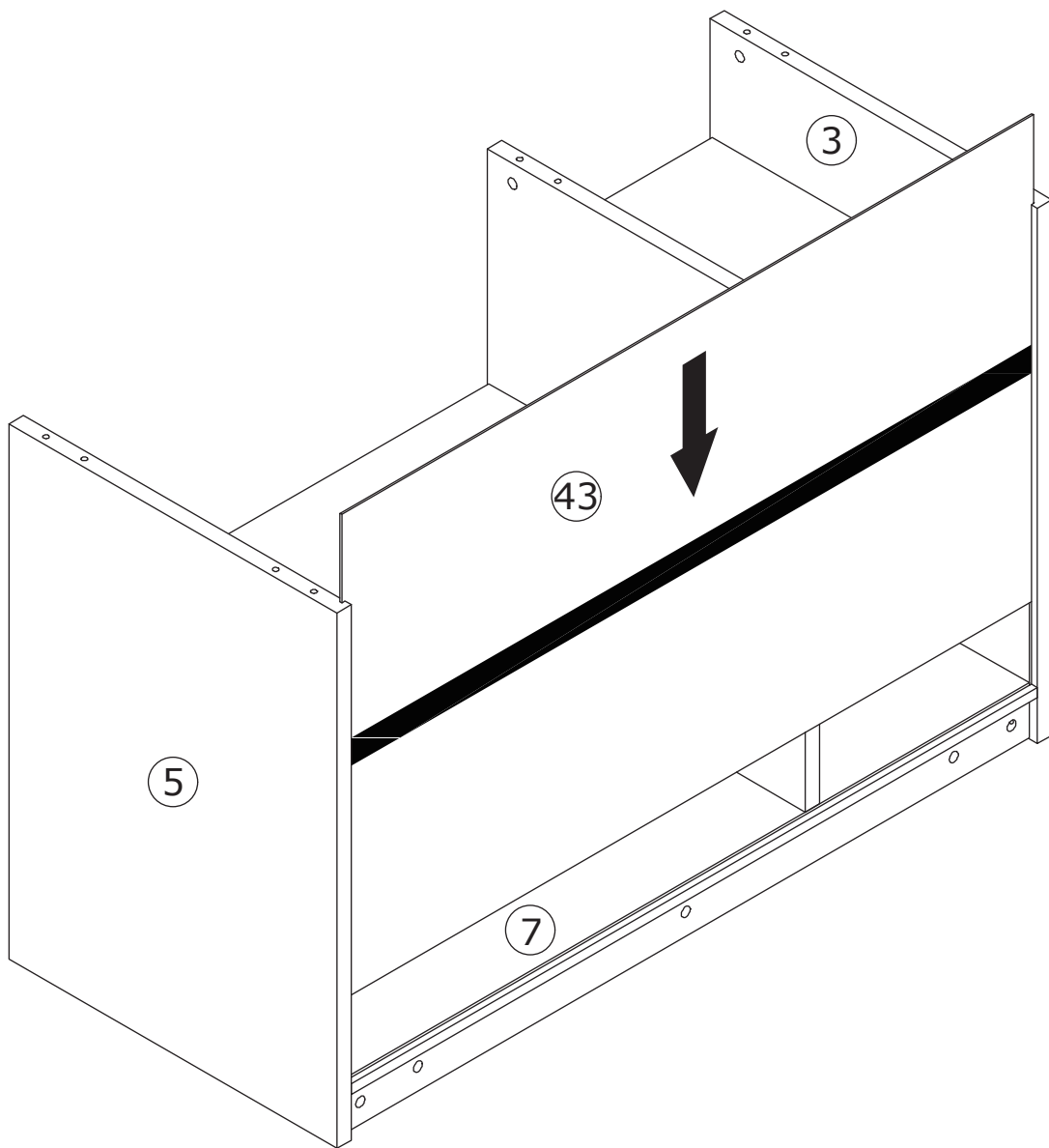


Connect parts 5 and 3 to parts 7, 8, 9 and 10 using wooden dowels (C), then tighten by turning cam locks (B) clockwise.



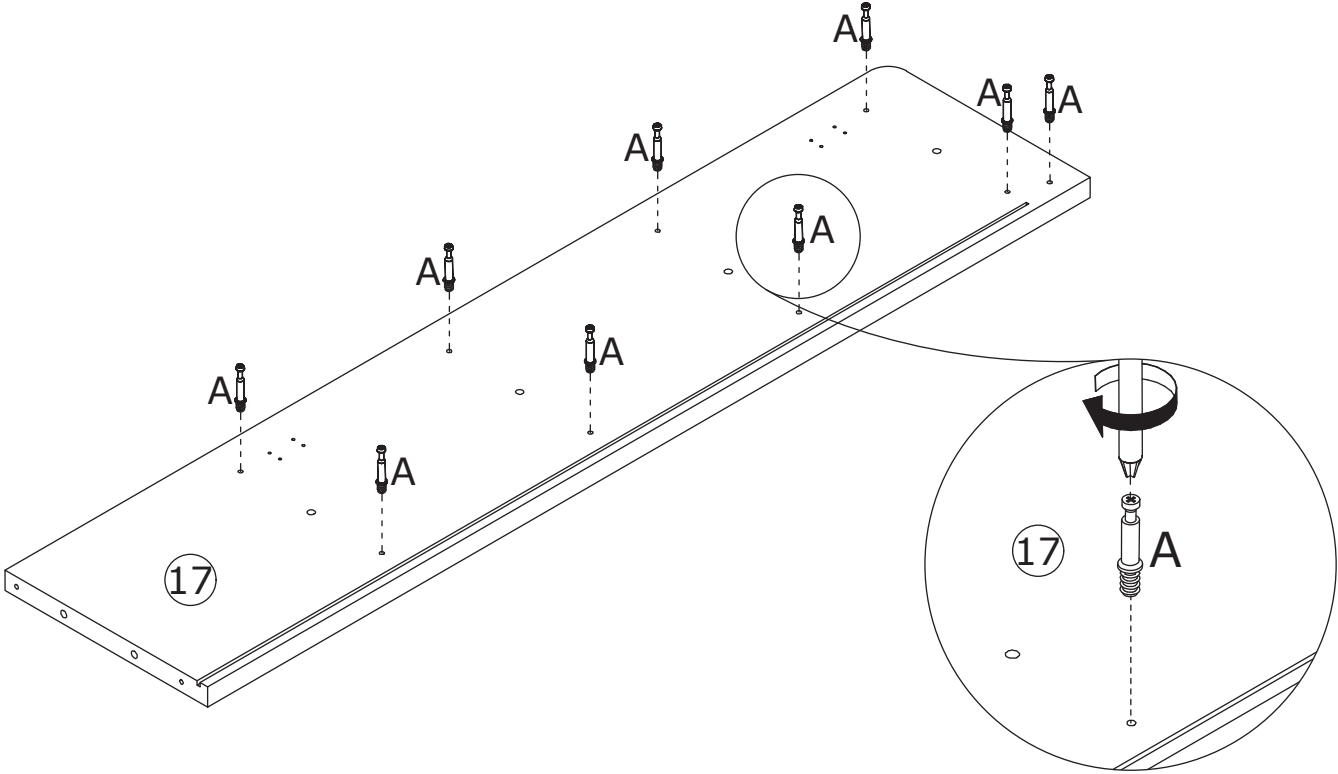
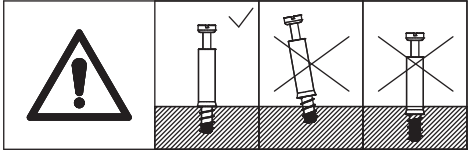
17

Insert part 43 into the available slots.

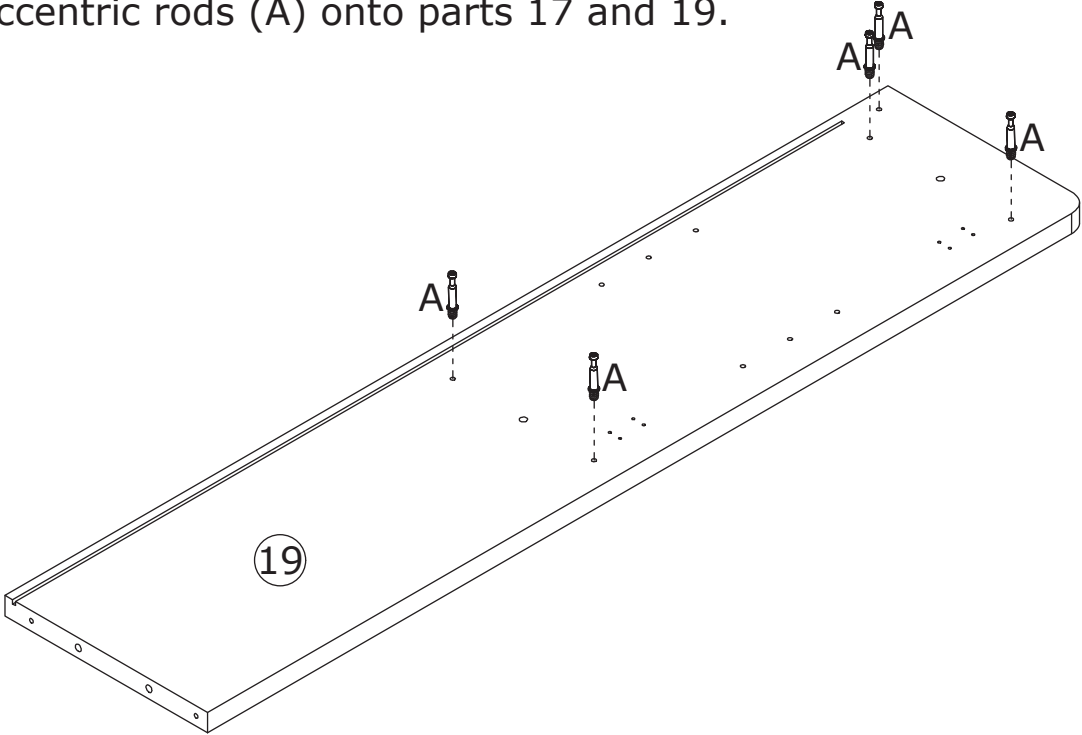


18

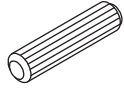

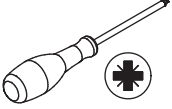

A x 14  
Ø 6.5 x 35 mm

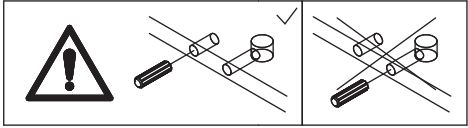


Screw eccentric rods (A) onto parts 17 and 19.

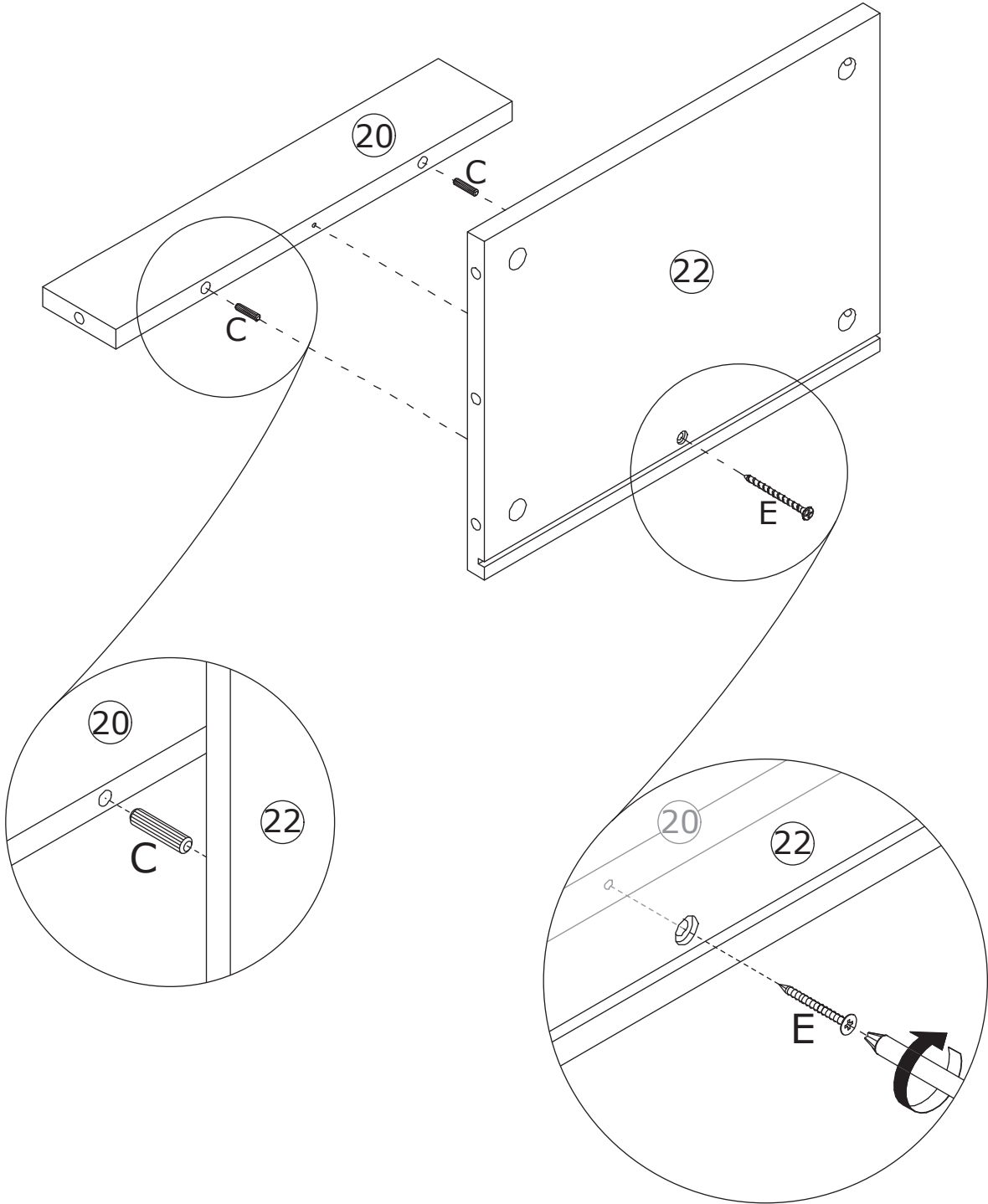


19

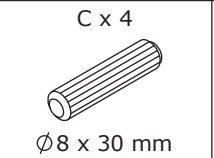
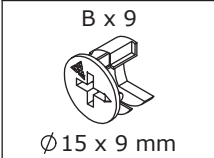
<p>C x 2</p>  <p>Ø8 x 30 mm</p>	<p>E x 1</p>  <p>Ø4 x 32 mm</p>	 
--	--	---



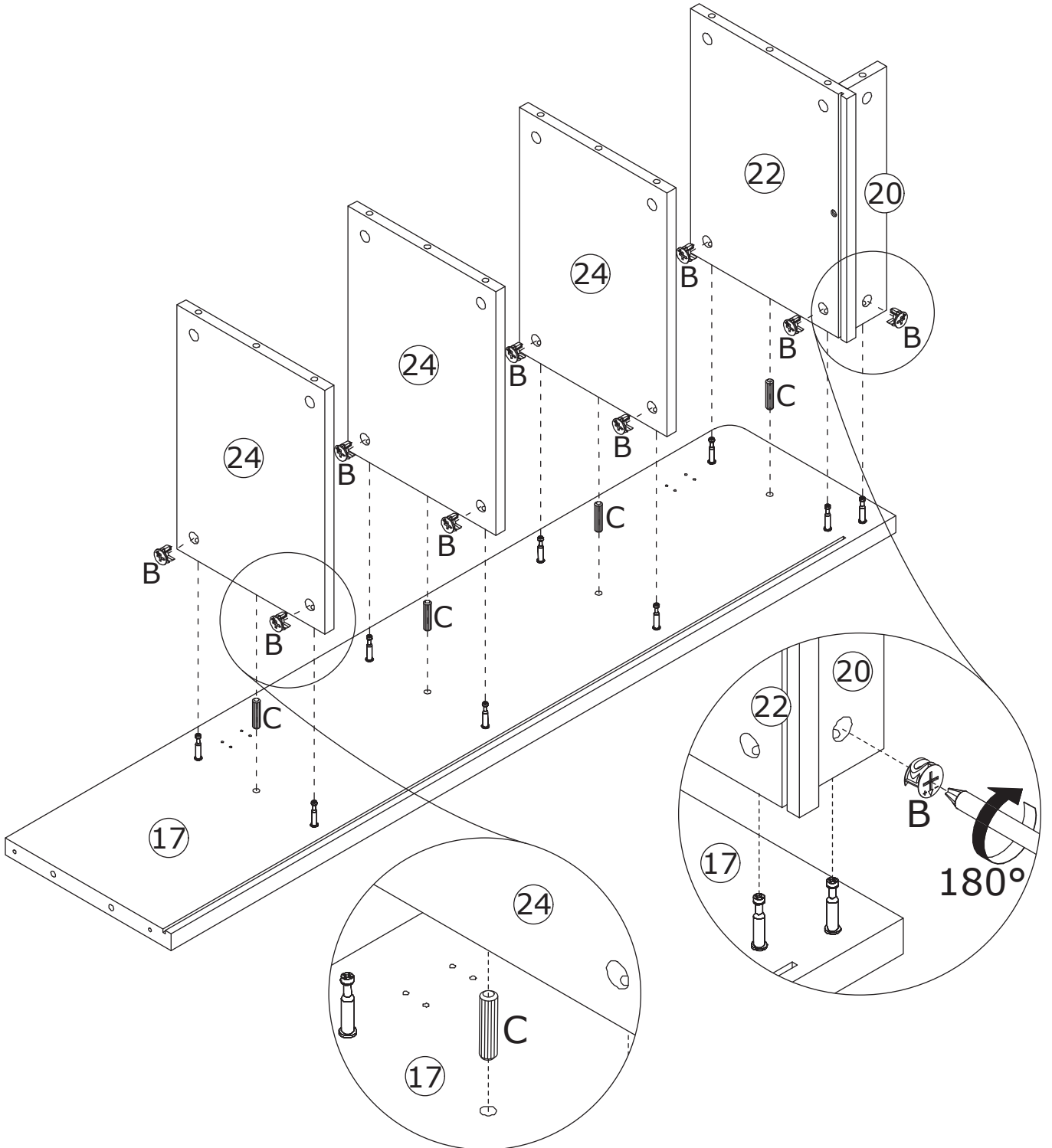
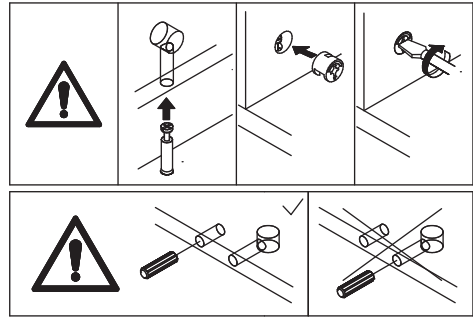
Connect part 22 to part 20 using wooden dowels (C), and secure with screw (E).



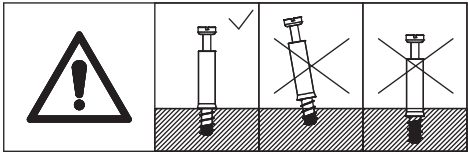
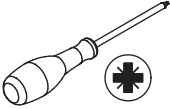
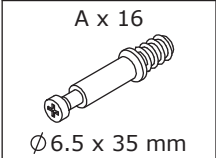
20



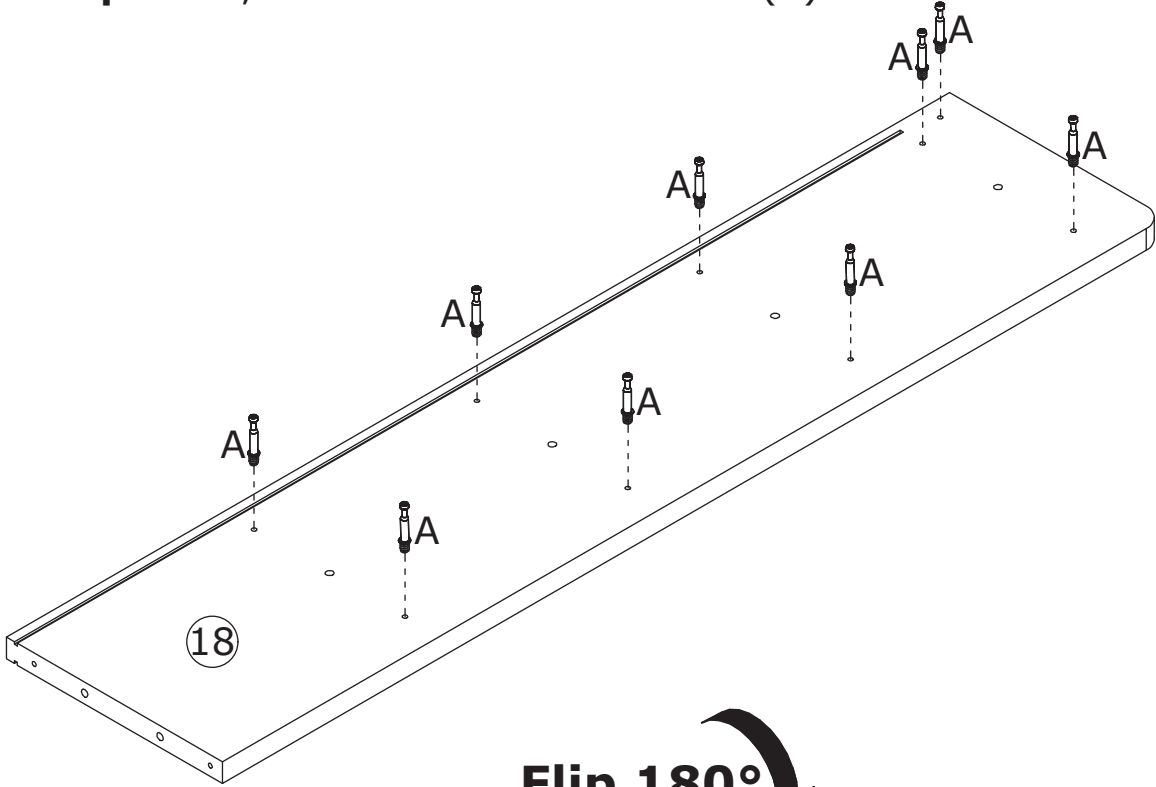
Connect parts 24, 22, and 20 to part 17 using wooden dowels (C), then tighten by turning cam locks (B) clockwise.



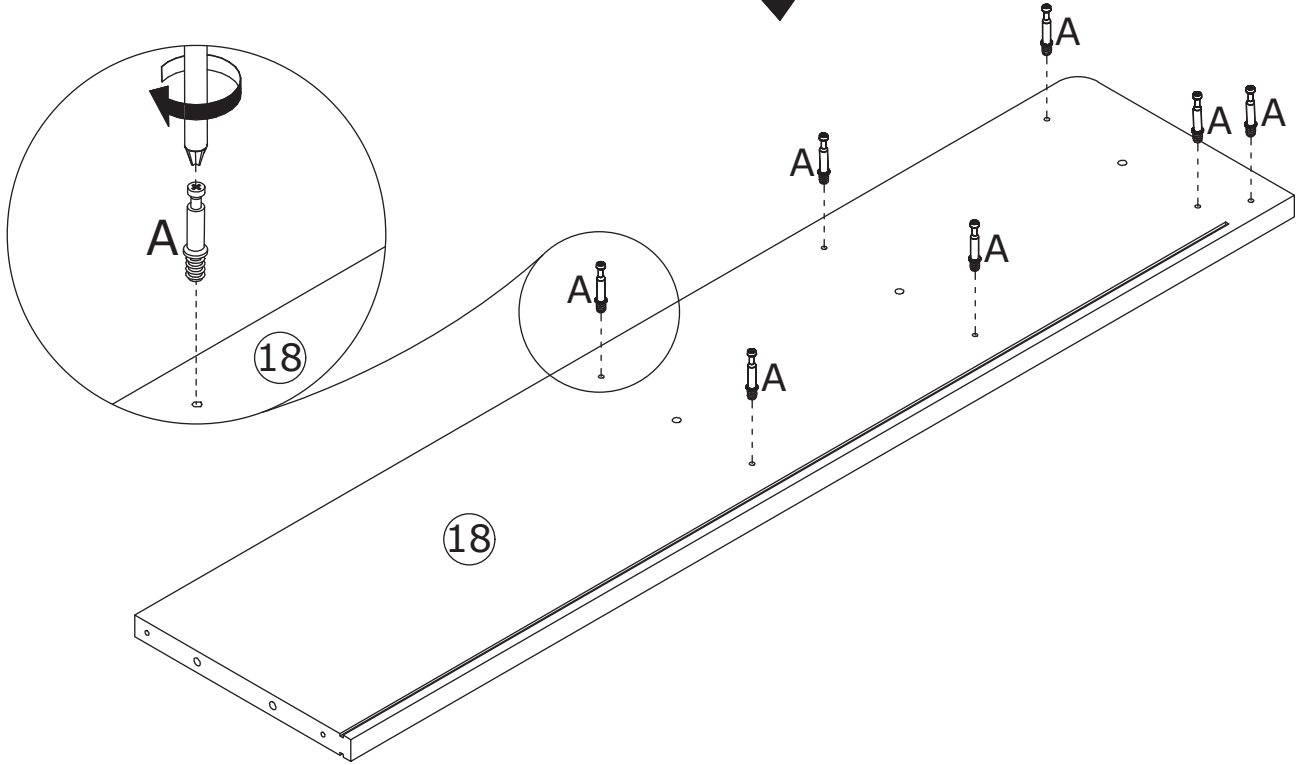
21



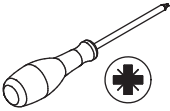
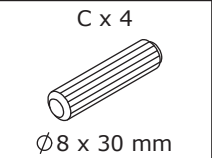
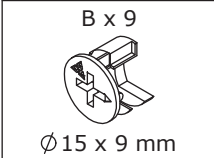
Screw eccentric rods (A) onto part 18,  
**flip 180°**, then screw eccentric rods (A).



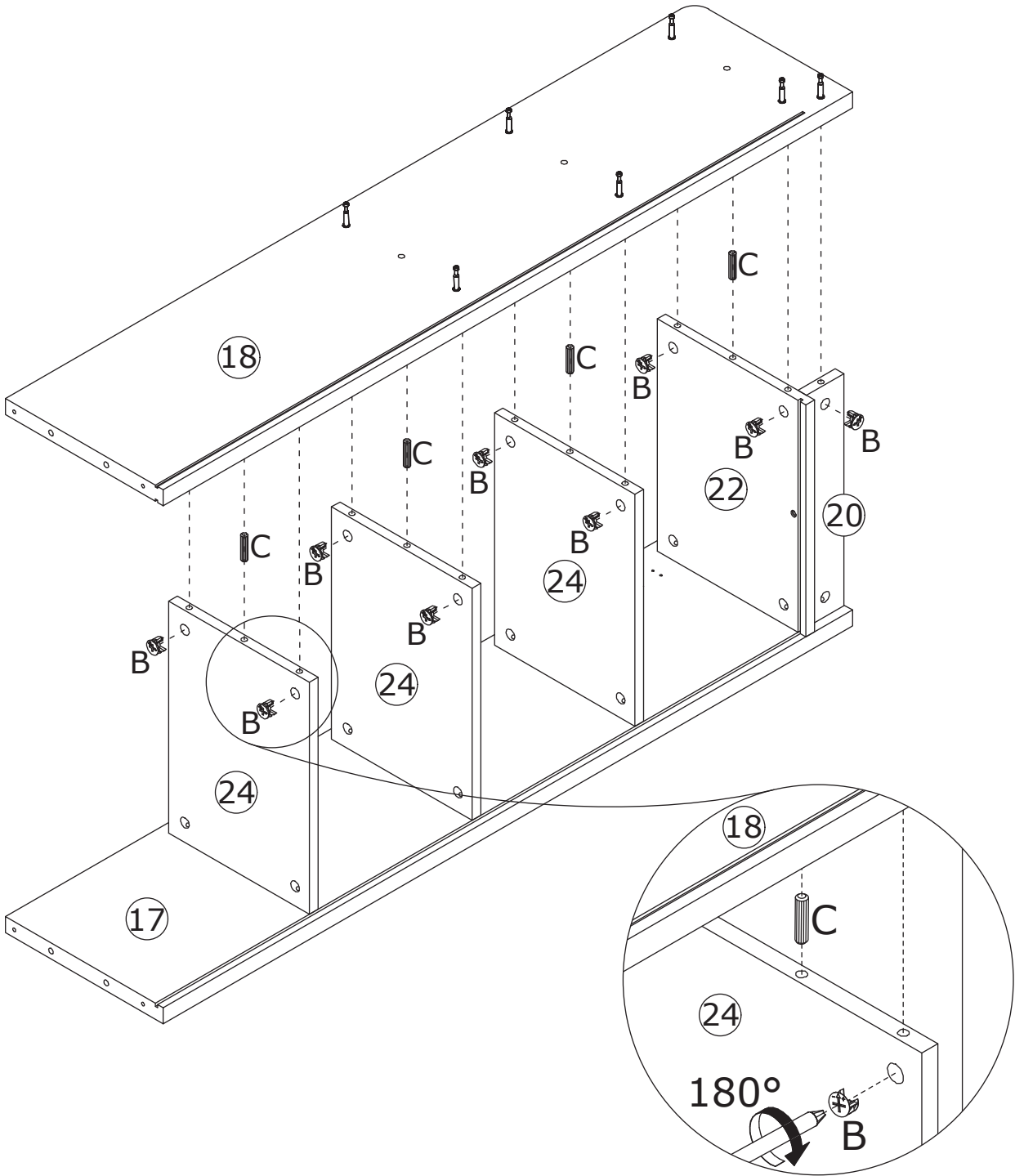
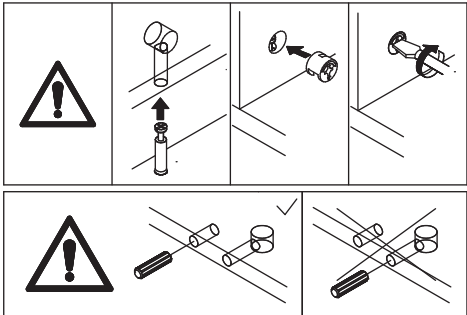
**Flip 180°**



22

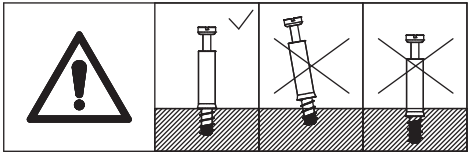
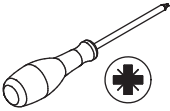


Connect part 18 to parts 24, 22, and 20 using wooden dowels (C), then tighten by turning cam locks (B) clockwise.

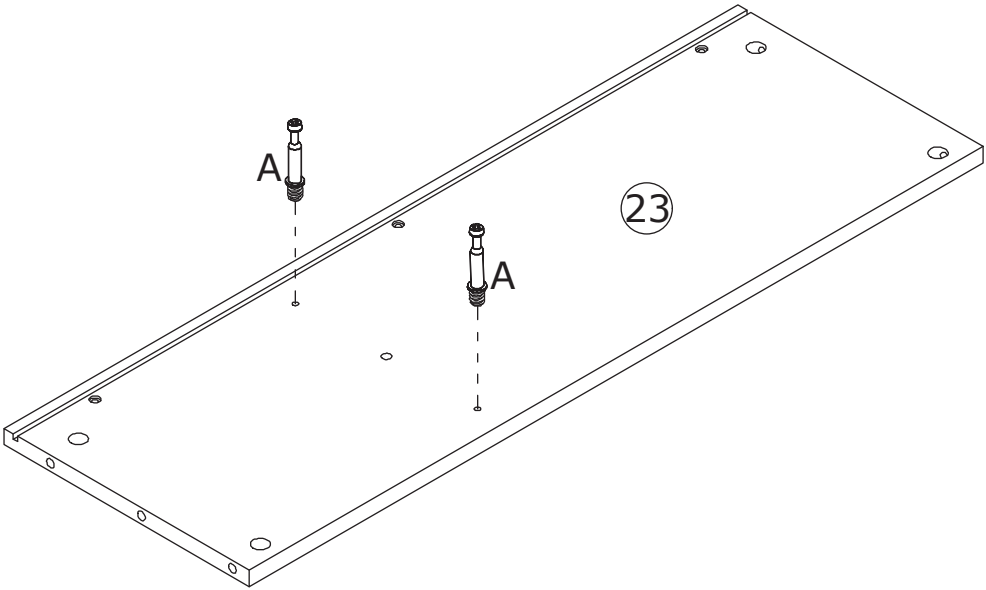
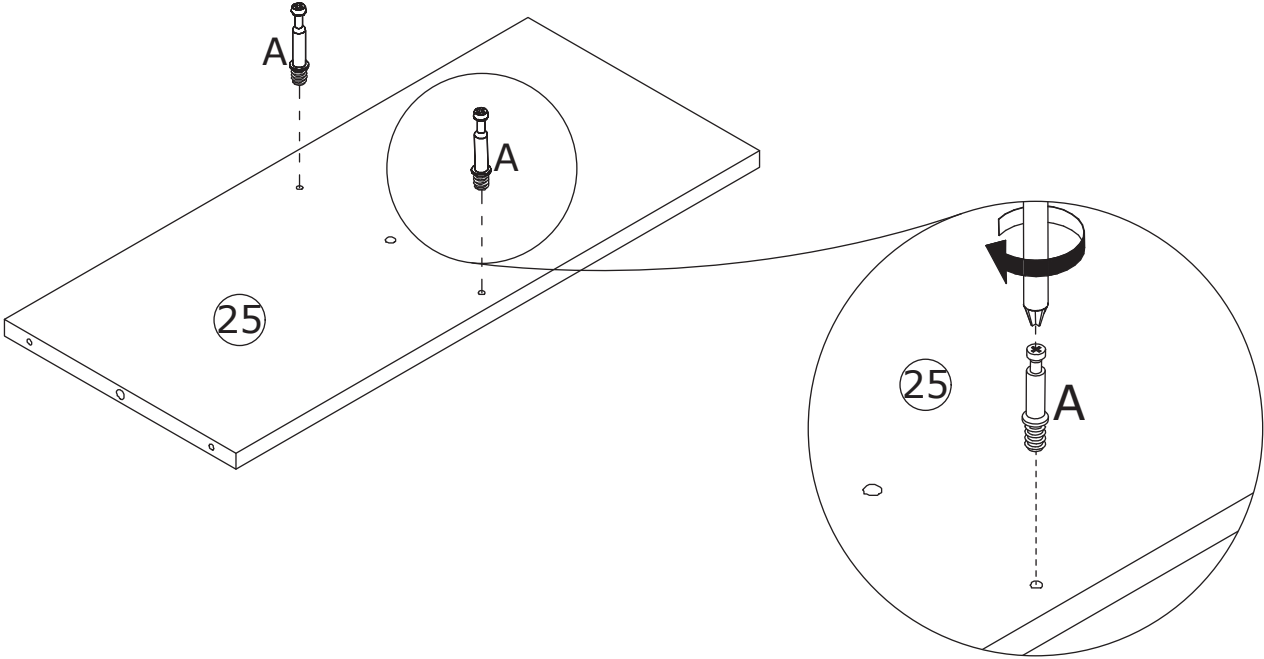


23

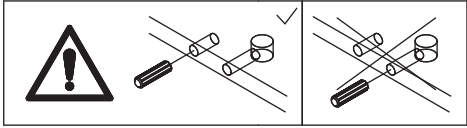
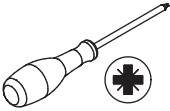
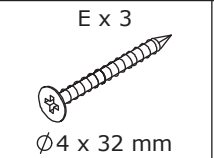
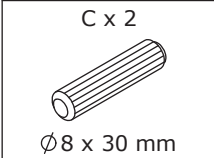
A x 4  
Ø 6.5 x 35 mm



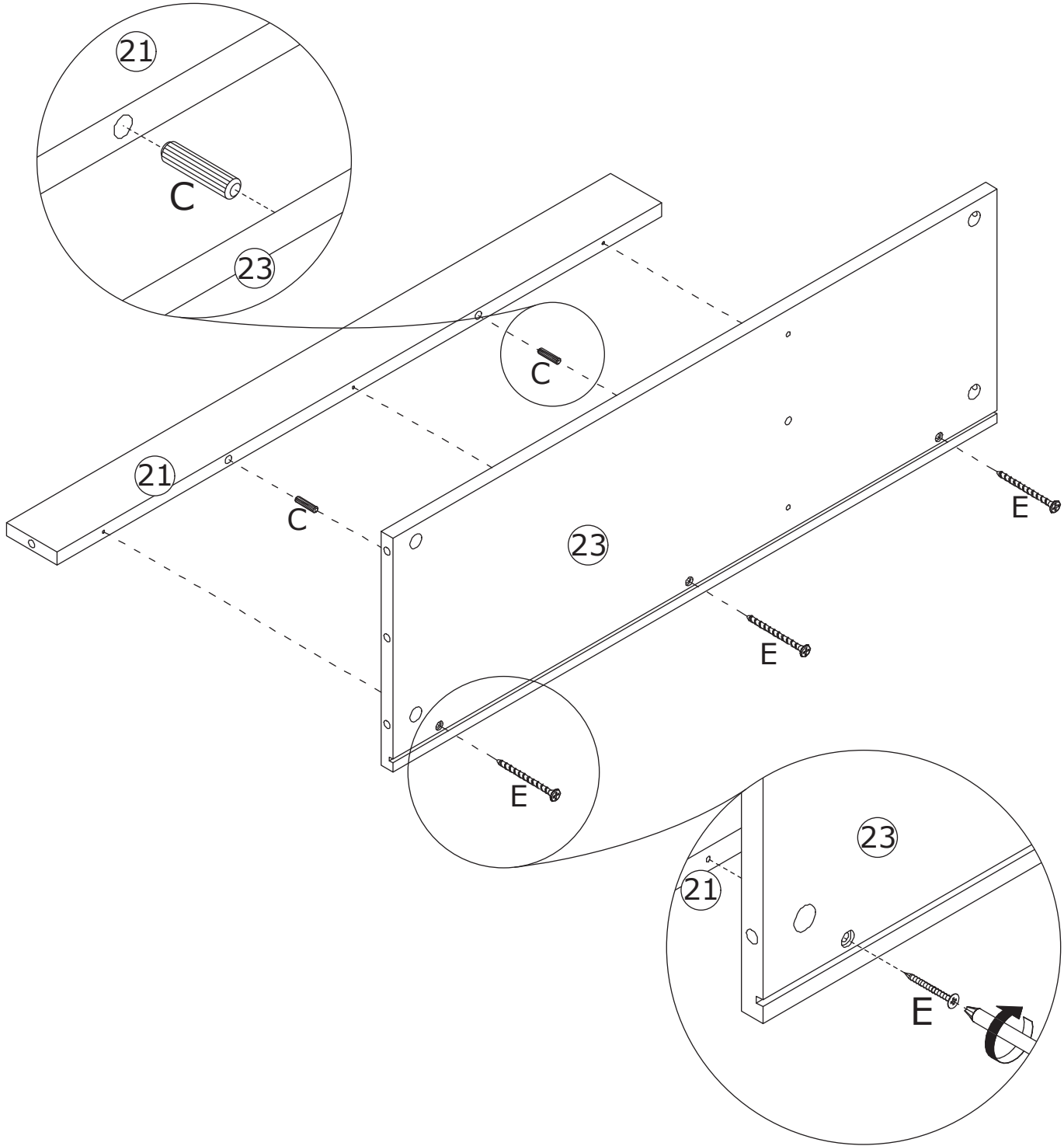
Screw eccentric rods (A) onto parts 23 and 25.



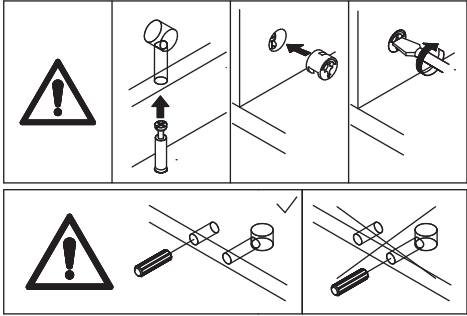
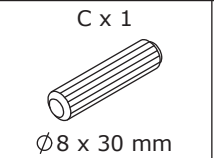
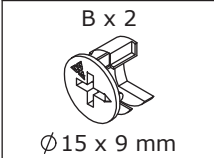
24



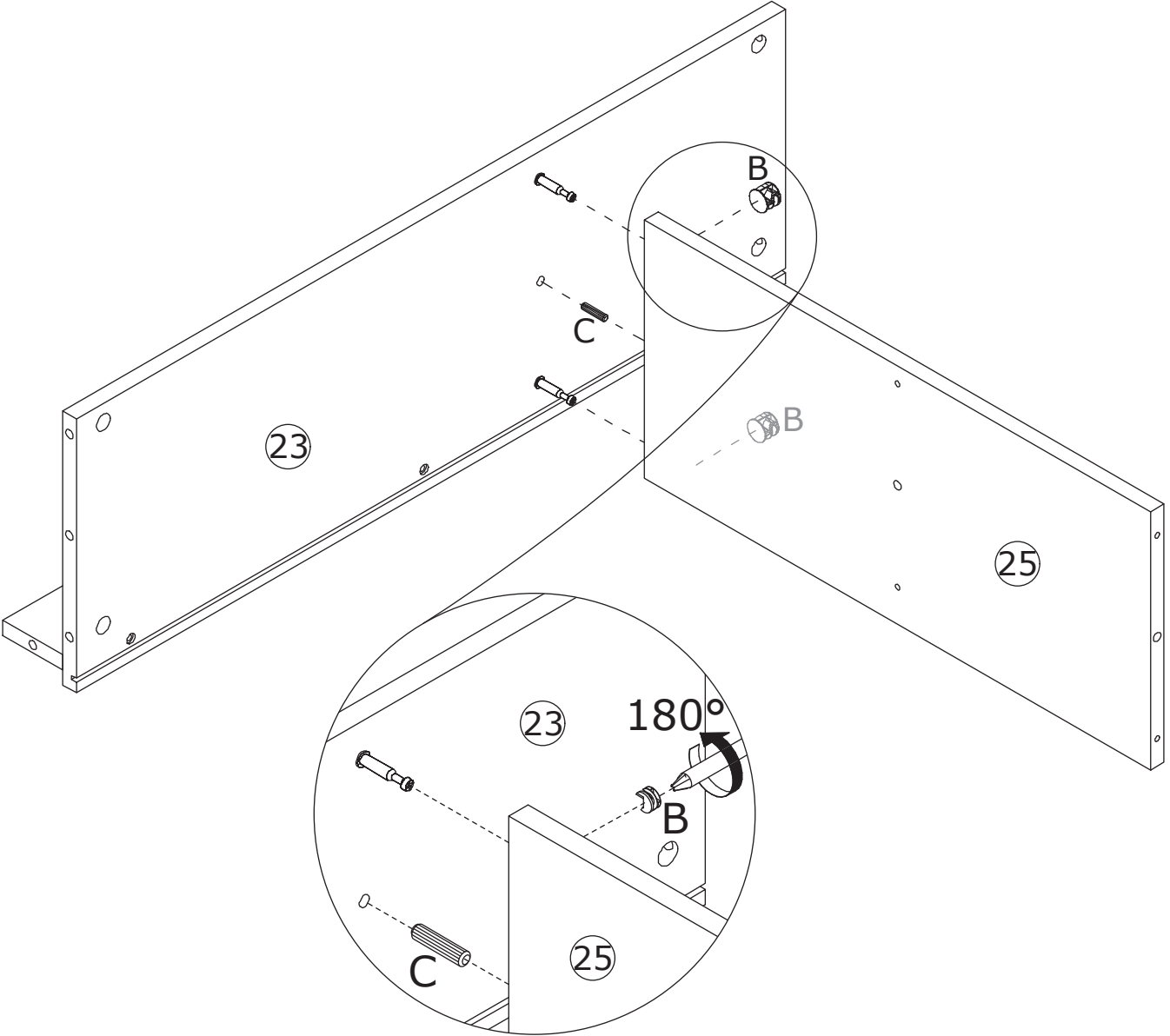
Connect part 23 to part 21 using wooden dowels (C), and secure with screws (E).



25



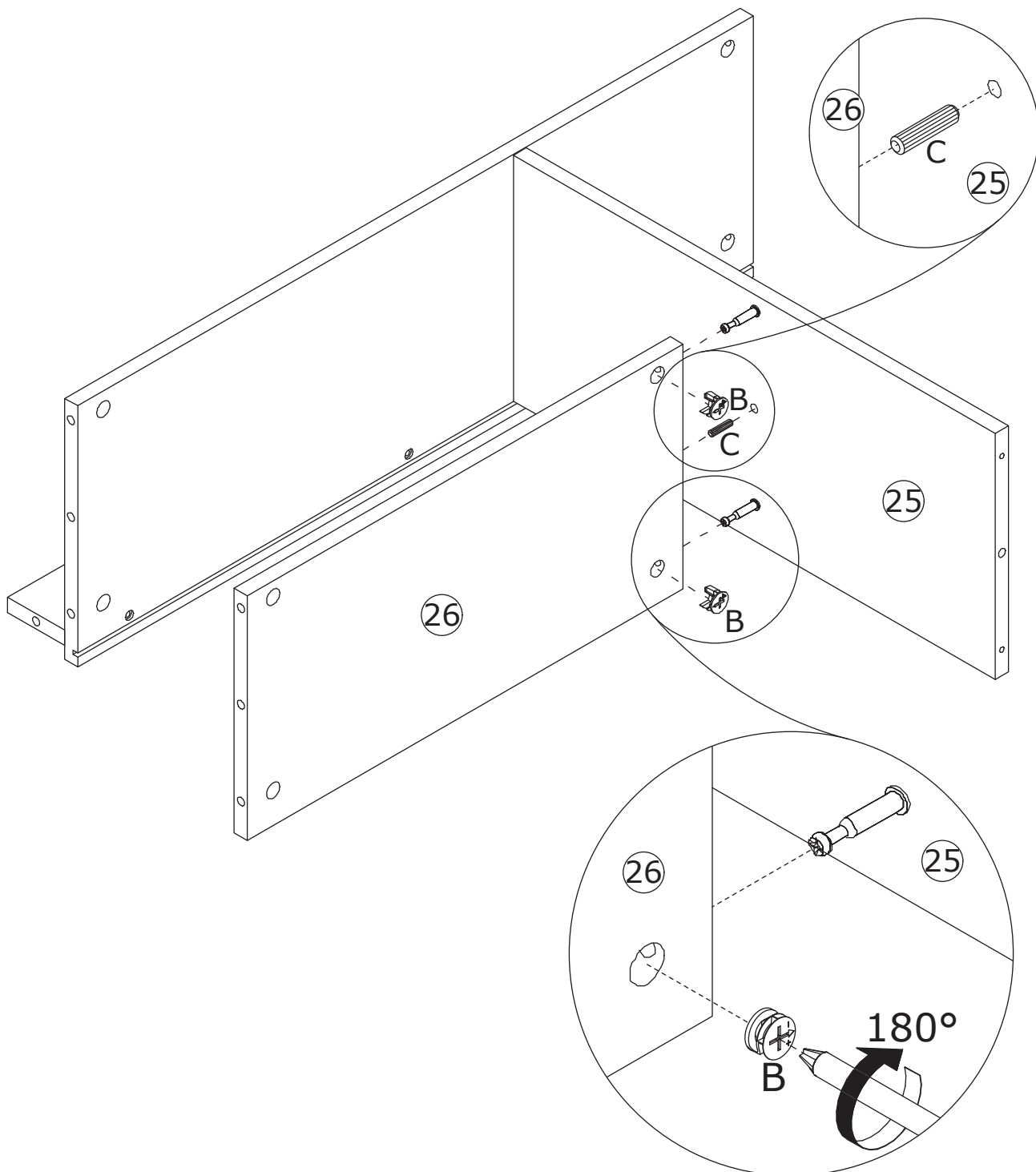
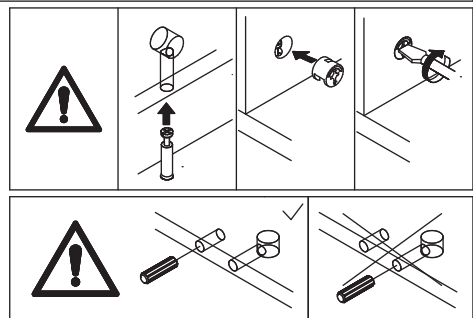
Connect part 25 to part 23 using wooden dowel (C), then tighten by turning cam locks (B) clockwise.



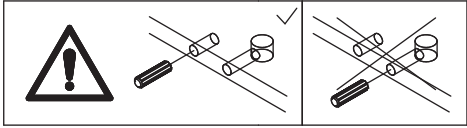
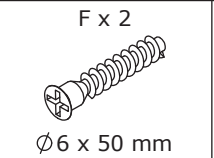
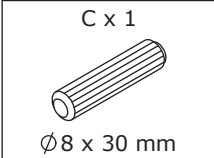
26



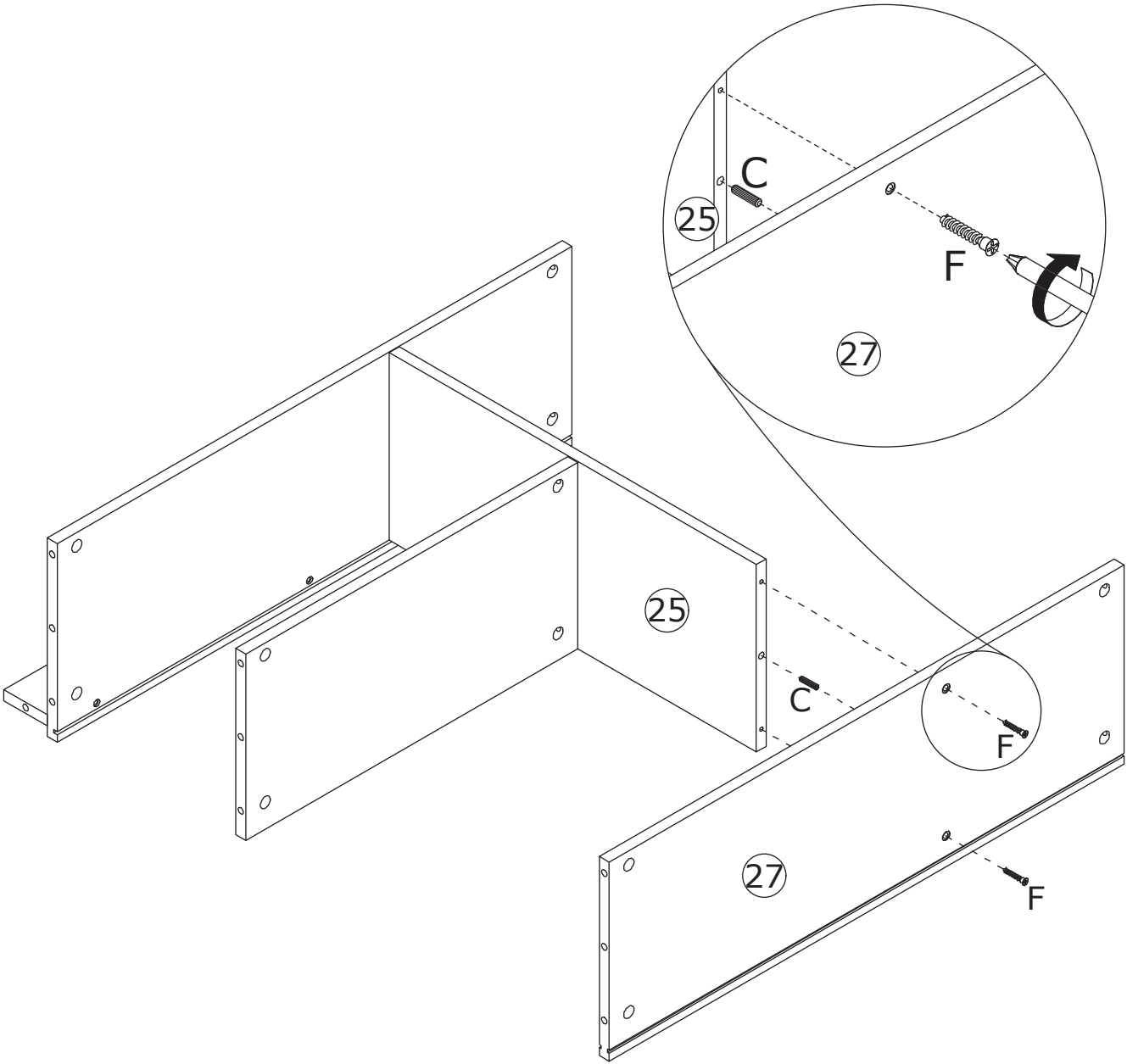
Connect part 26 to part 25 using wooden dowel (C), then tighten by turning cam locks (B) clockwise.



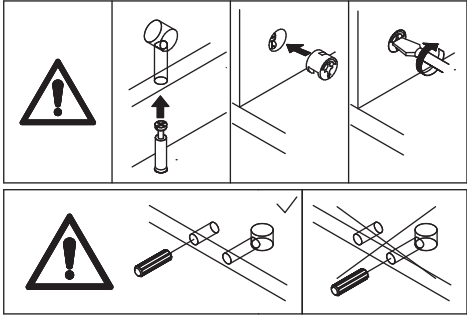
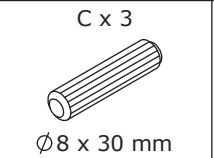
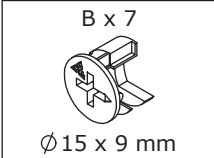
27



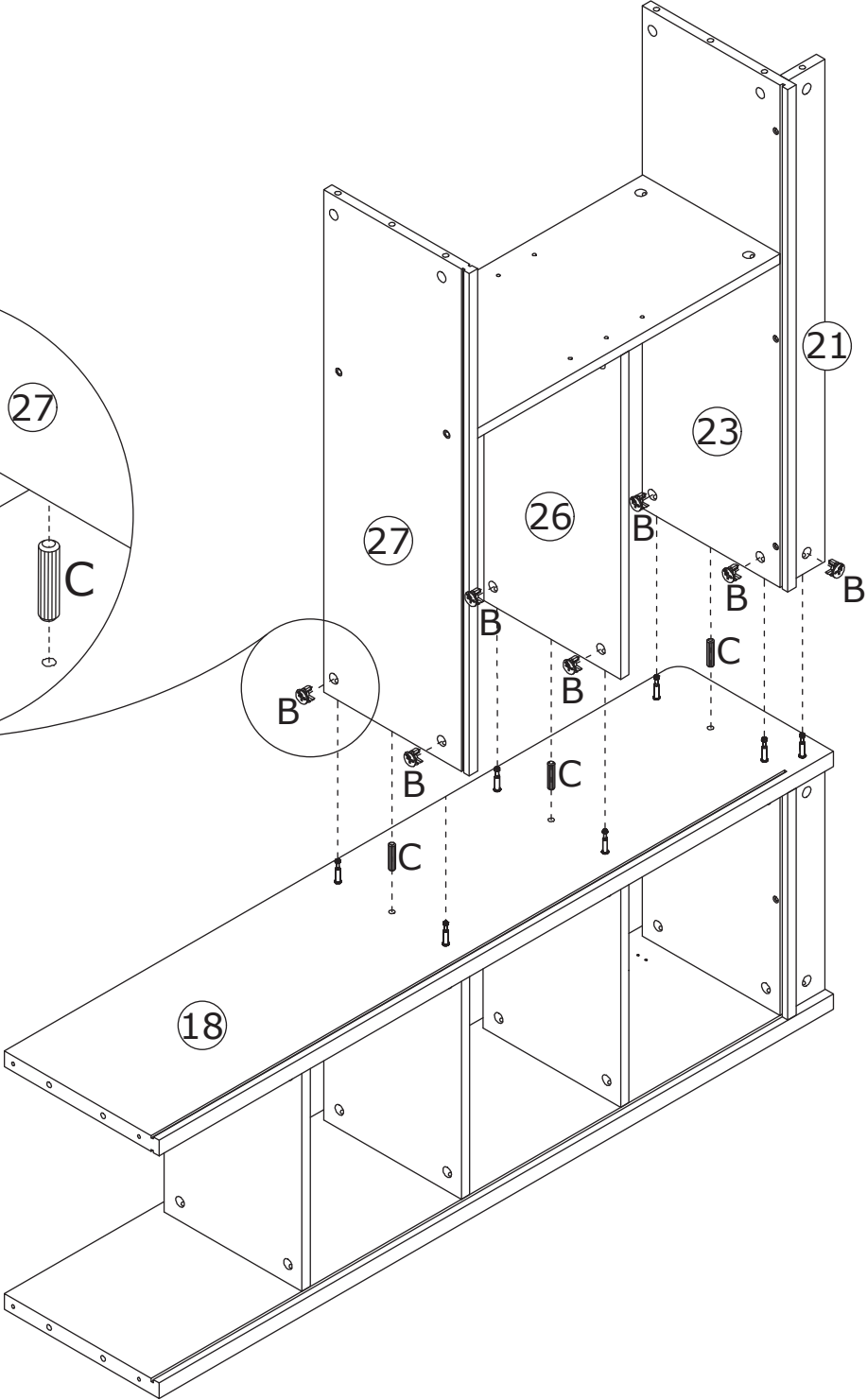
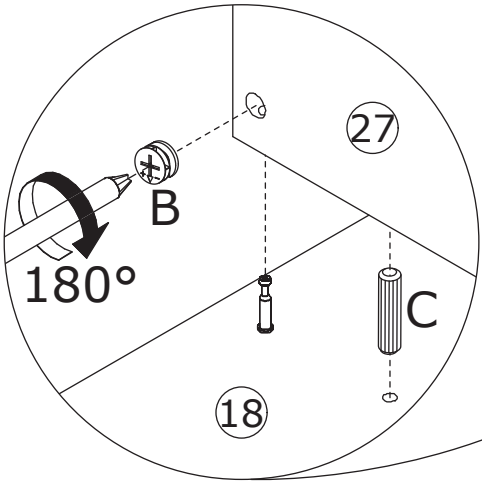
Connect part 27 to part 25 using wooden dowel (C) , and secure with screws (F).



28

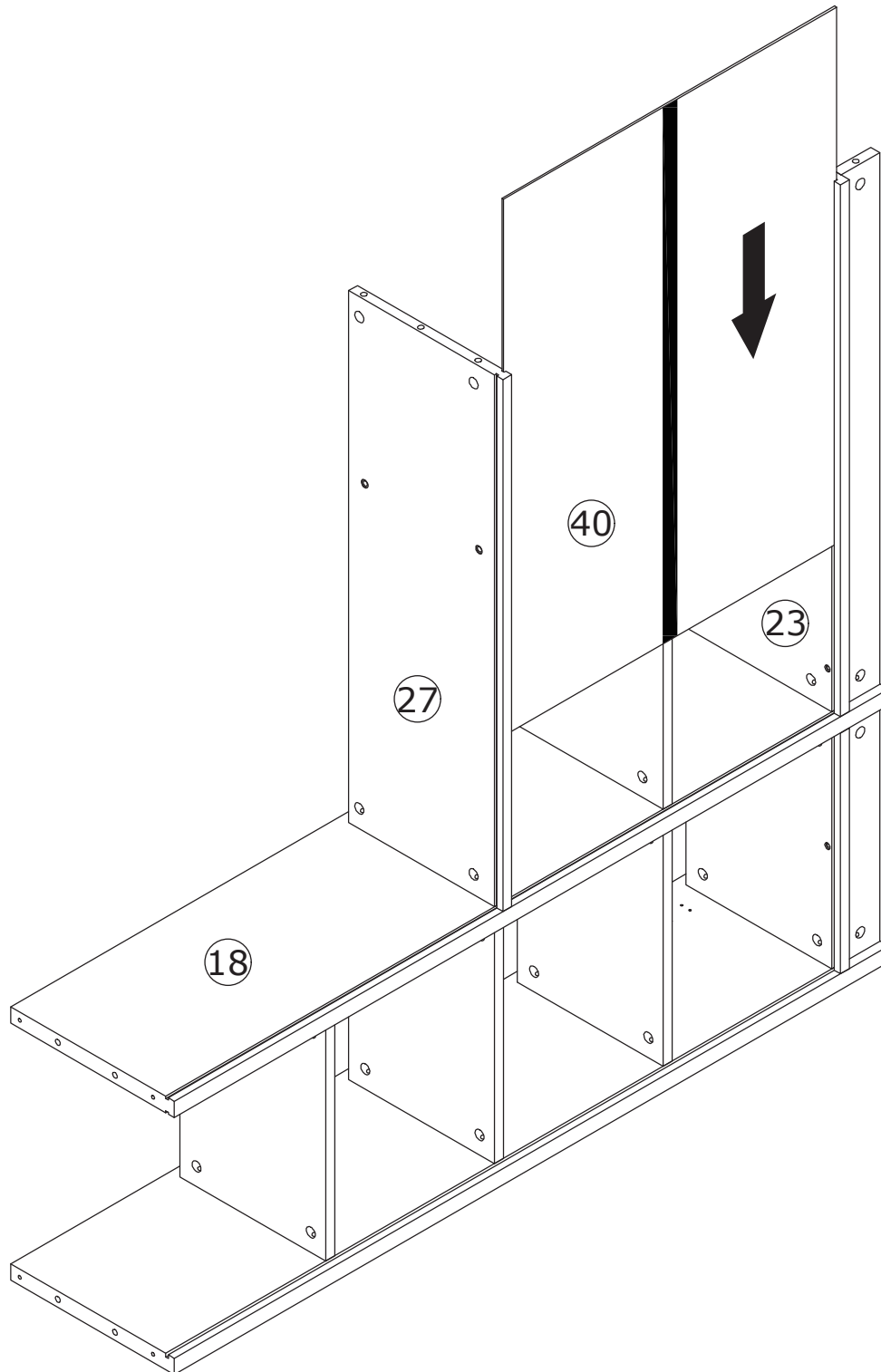


Connect parts 21, 23, 26, and 27 to part 18 using wooden dowels (C), then tighten by turning cam locks (B) clockwise.

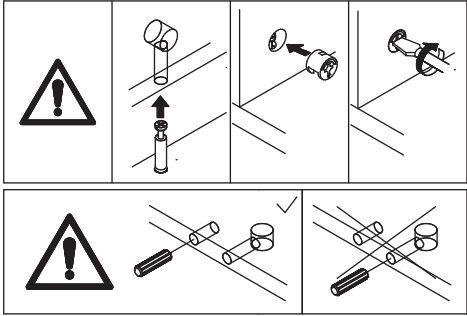
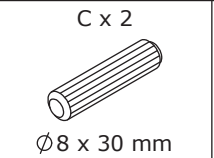
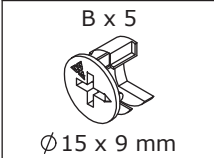


29

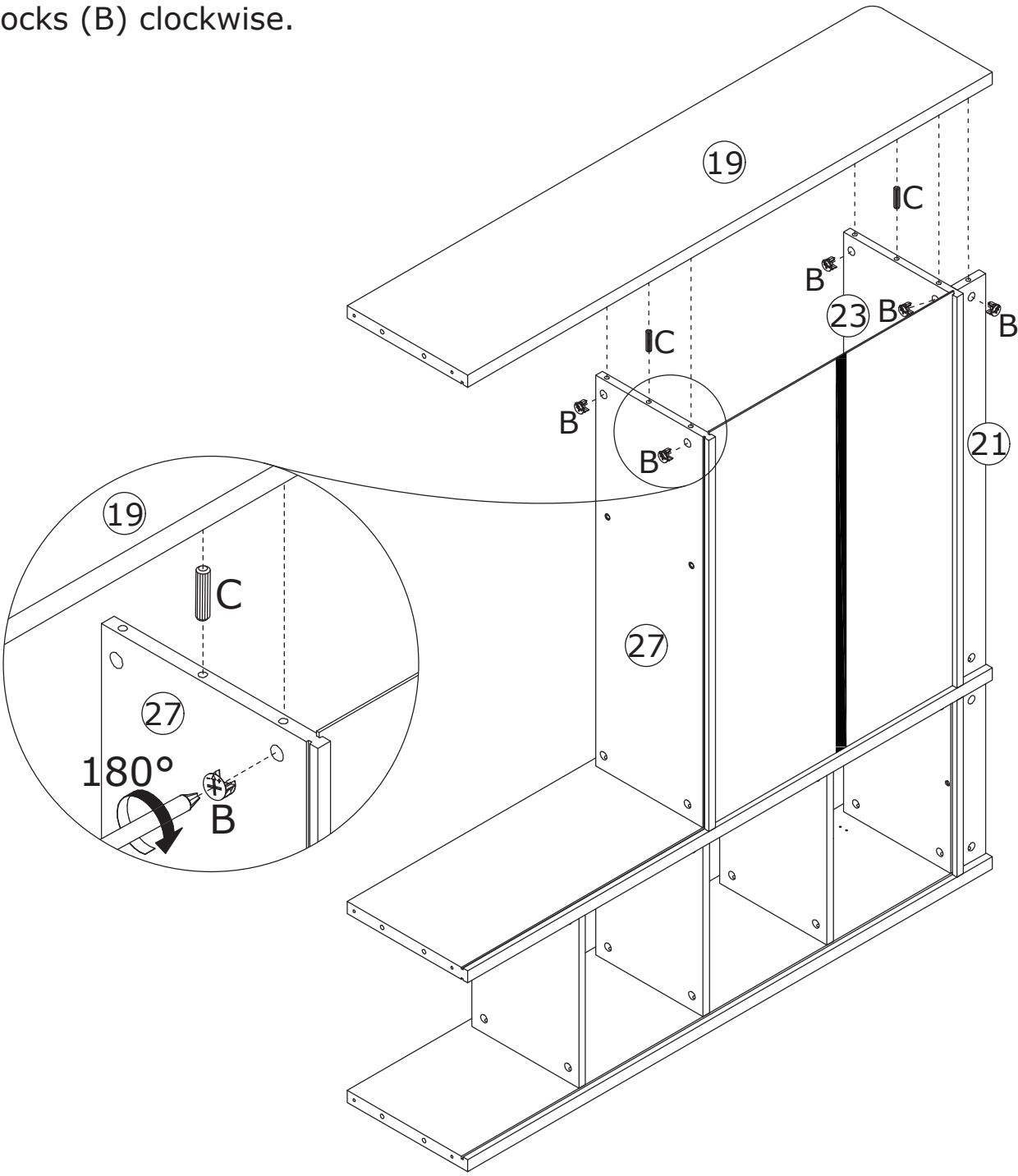
Insert part 40 into the available slots.



30

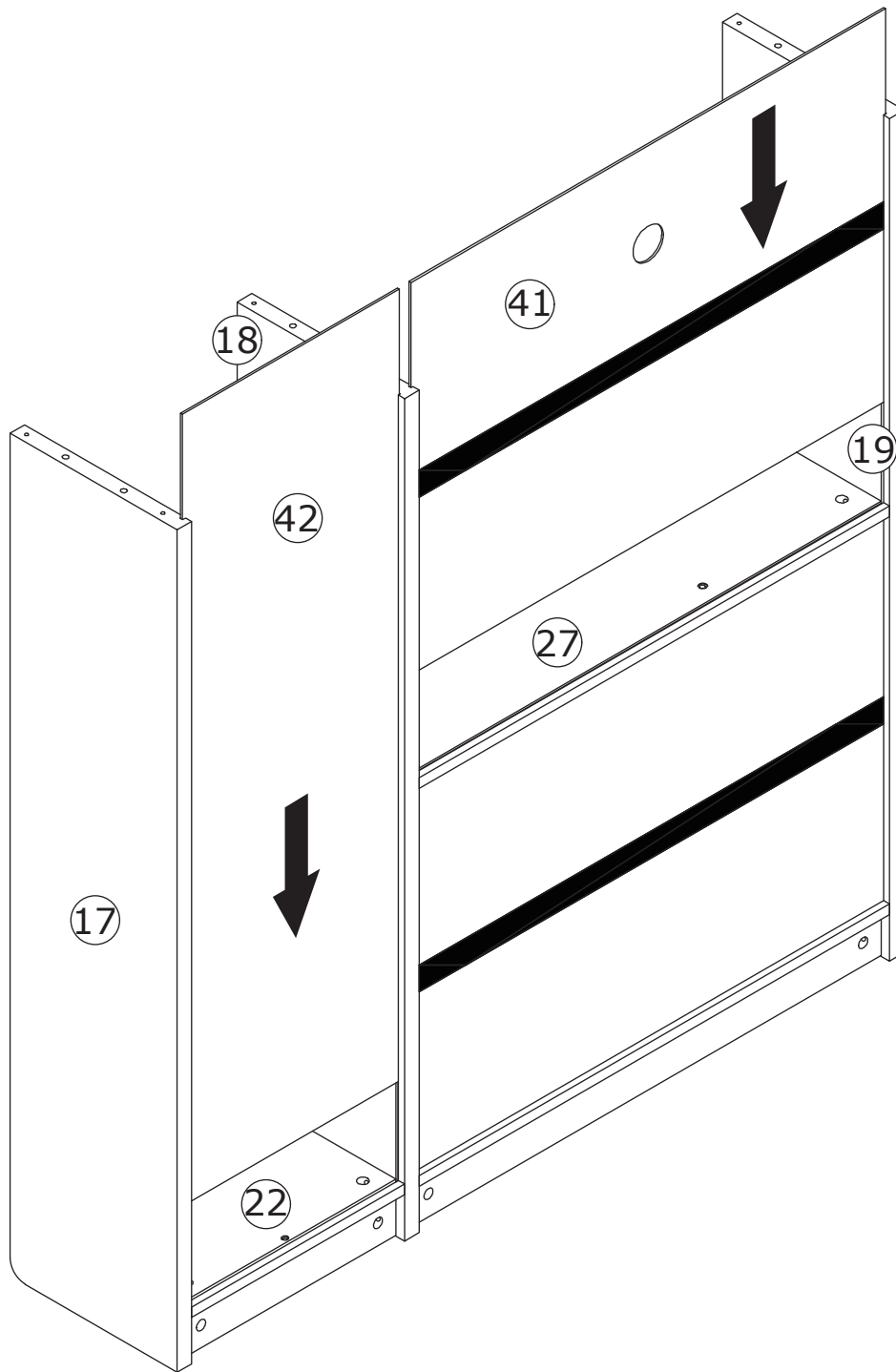


Connect part 19 to parts 21, 23, and 27 using wooden dowels (C), then tighten by turning cam locks (B) clockwise.

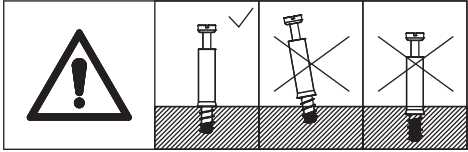
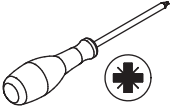
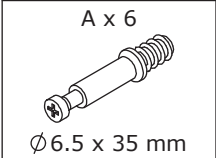


31

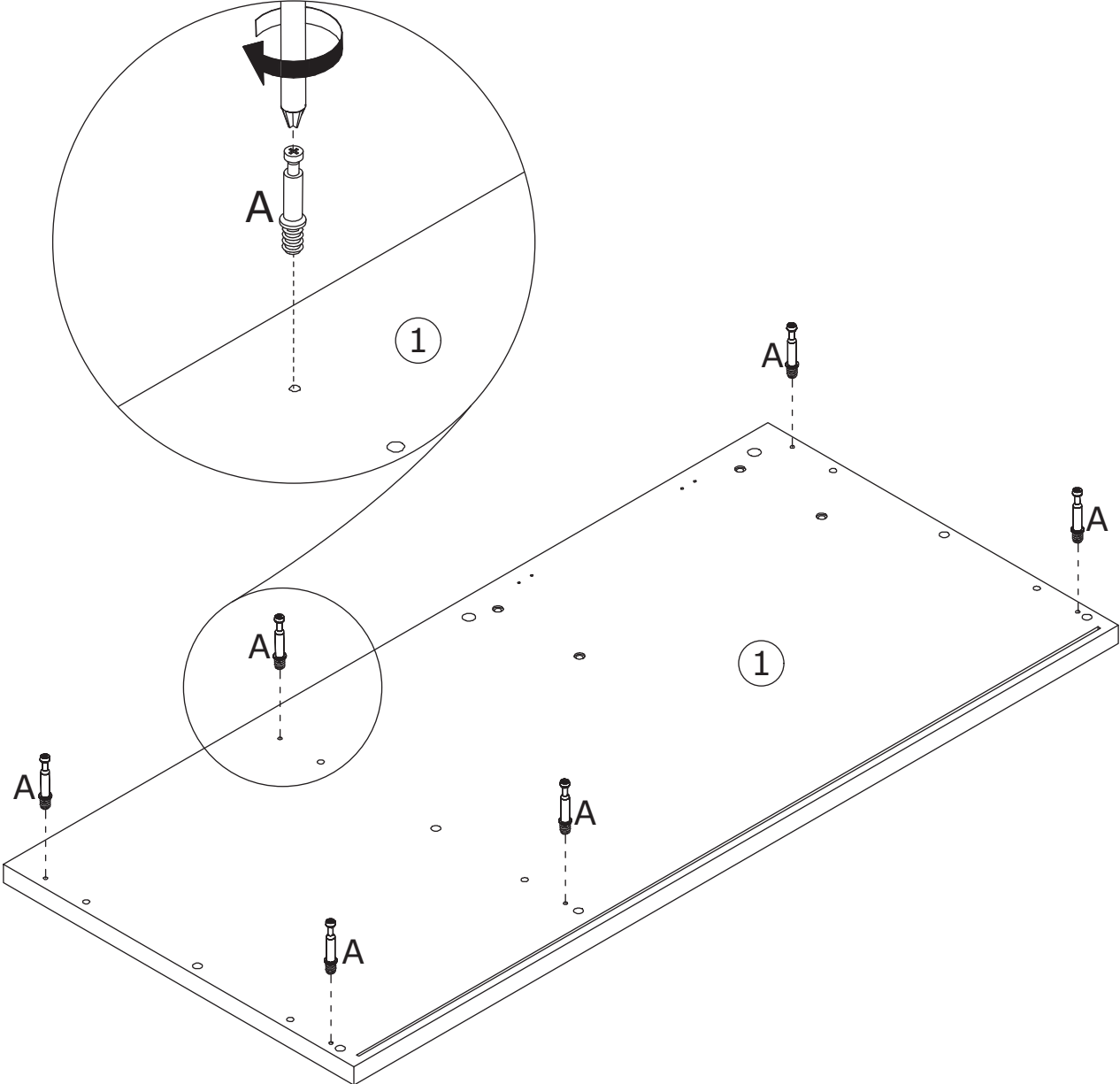
Insert parts 41 and 42 into the available slots.



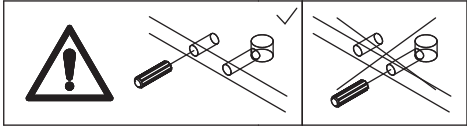
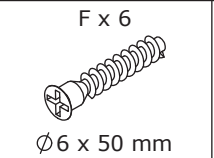
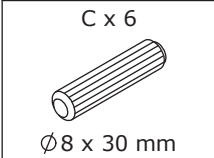
32



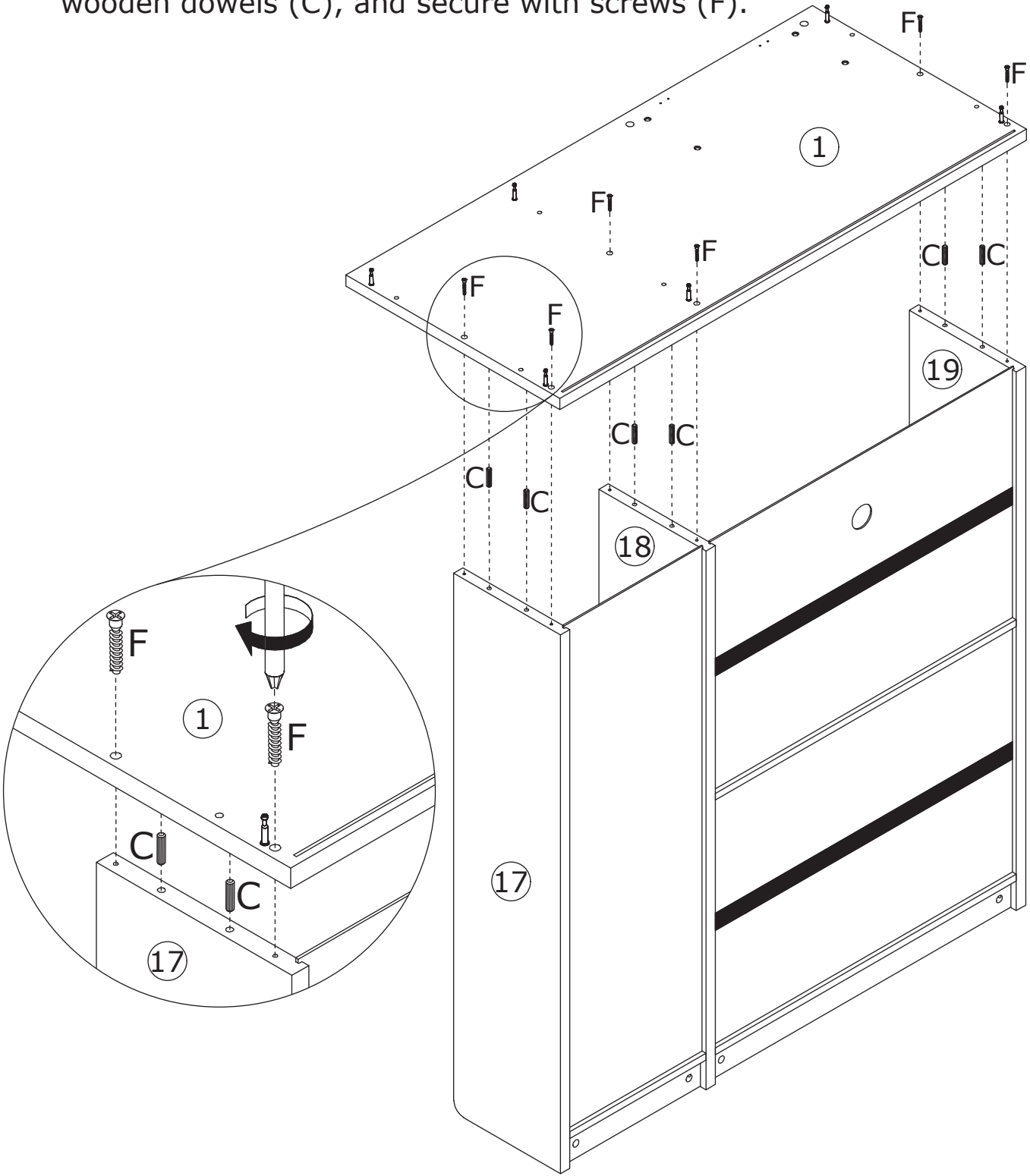
Screw eccentric rods (A) onto part 1.



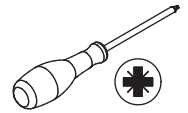
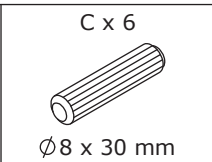
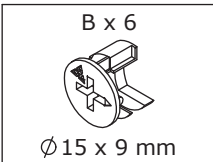
33



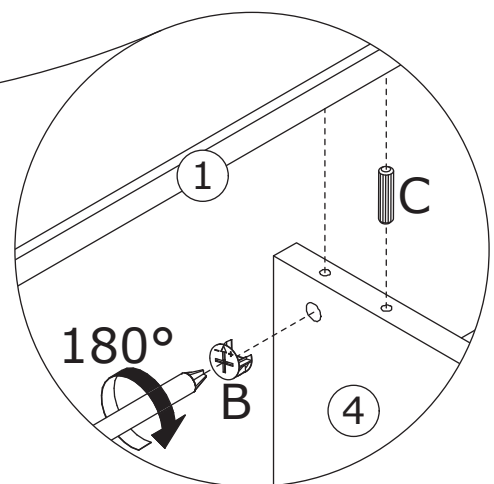
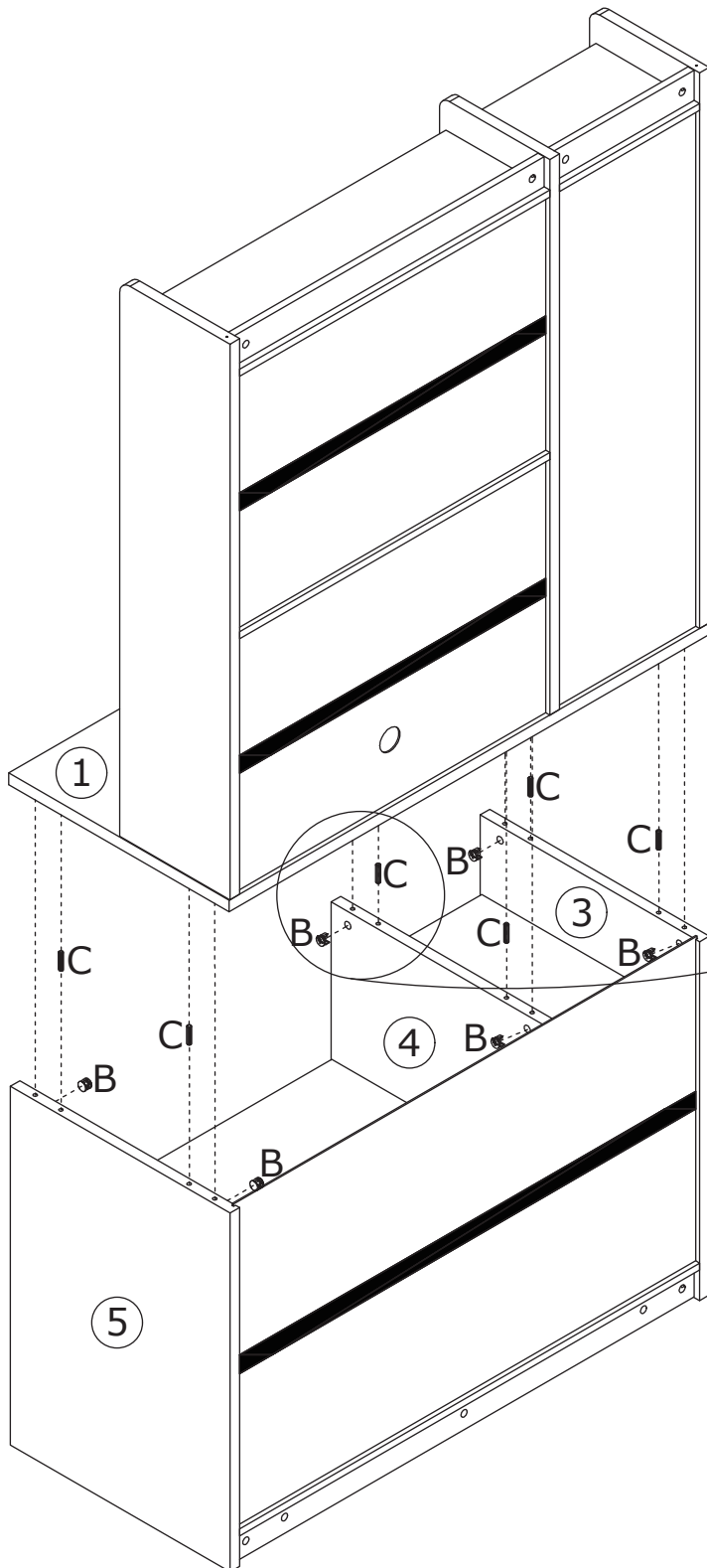
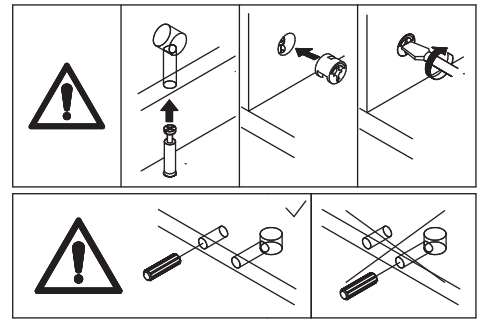
Connect part 1 to parts 17, 18, and 19 using wooden dowels (C), and secure with screws (F).



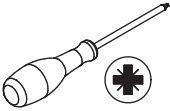
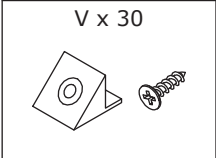
# 34



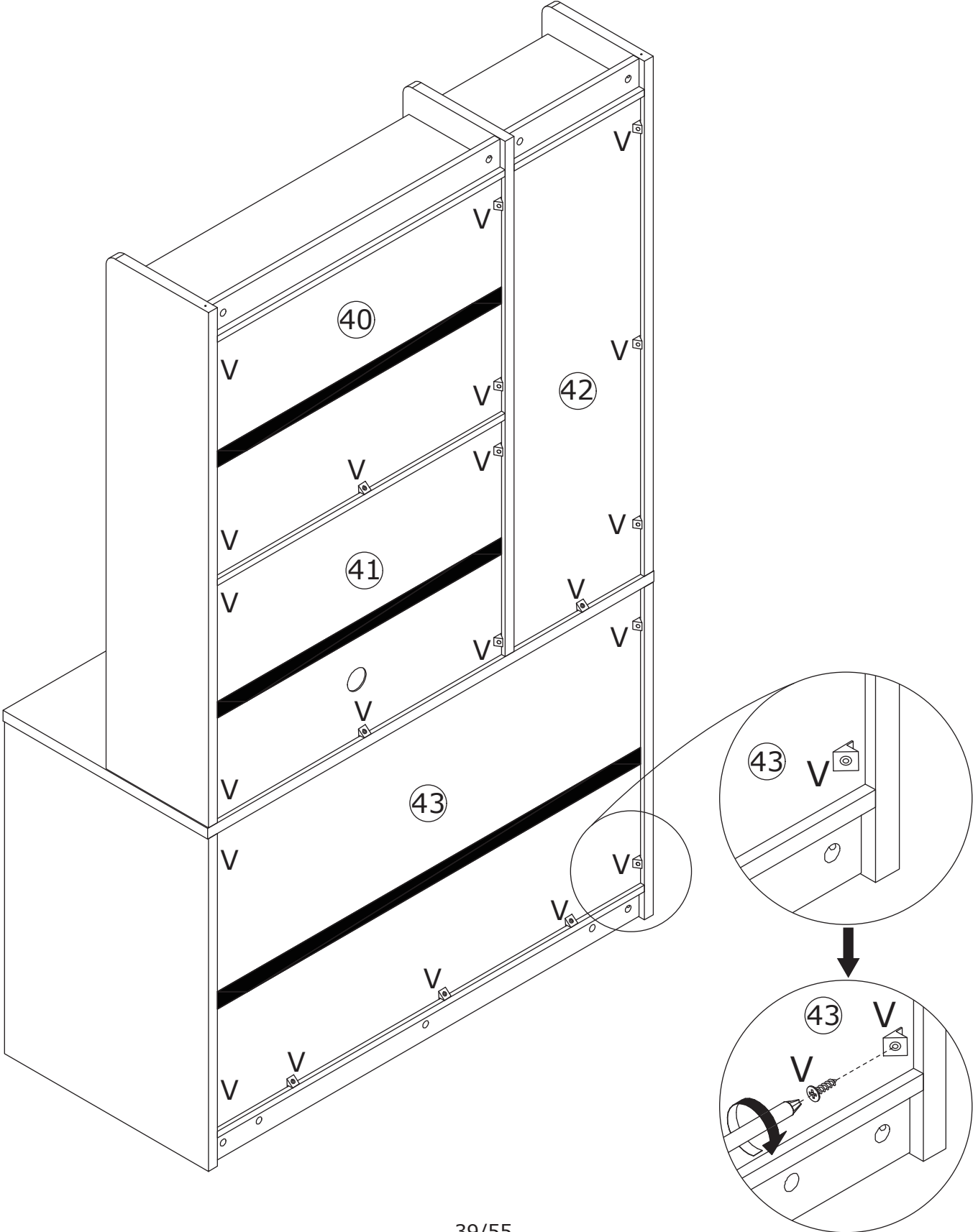
Connect the two components using wooden dowels (C), then tighten by turning cam locks (B) clockwise.







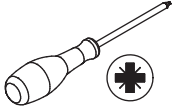
35



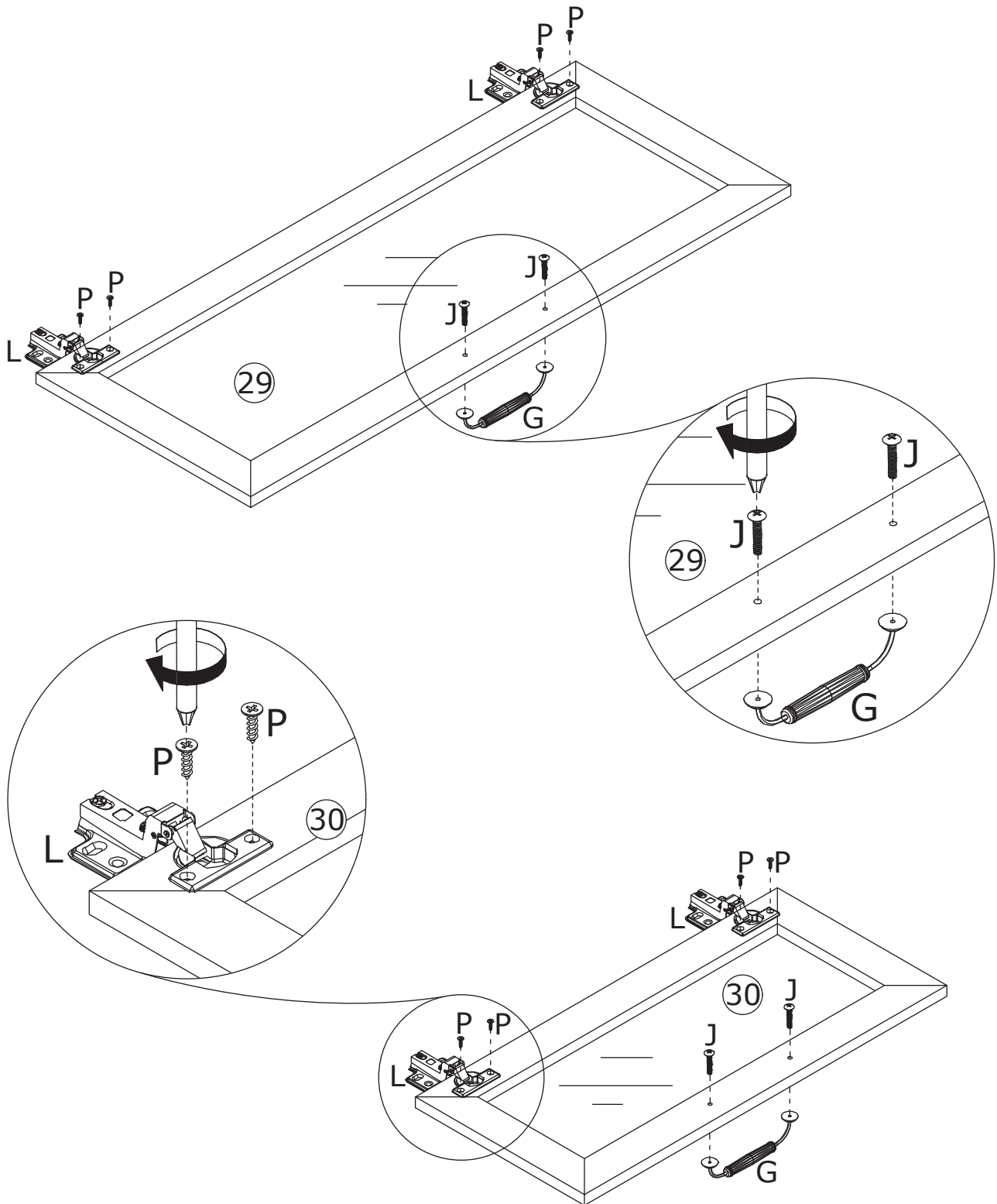
Insert clips (V) into the gaps and secure them with screws (V).



36

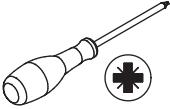
<p>G x 2</p> 	<p>J x 4</p> <p>Ø4 x 18 mm</p> 	<p>L x 4</p> <p>Ø35 mm</p> 	<p>P x 8</p> <p>Ø3.5 x 14 mm</p> 	
--	--	--	---	---

Secure hinges (L) onto parts 29 and 30 with screws (P).  
Secure handles (G) with screws (J).

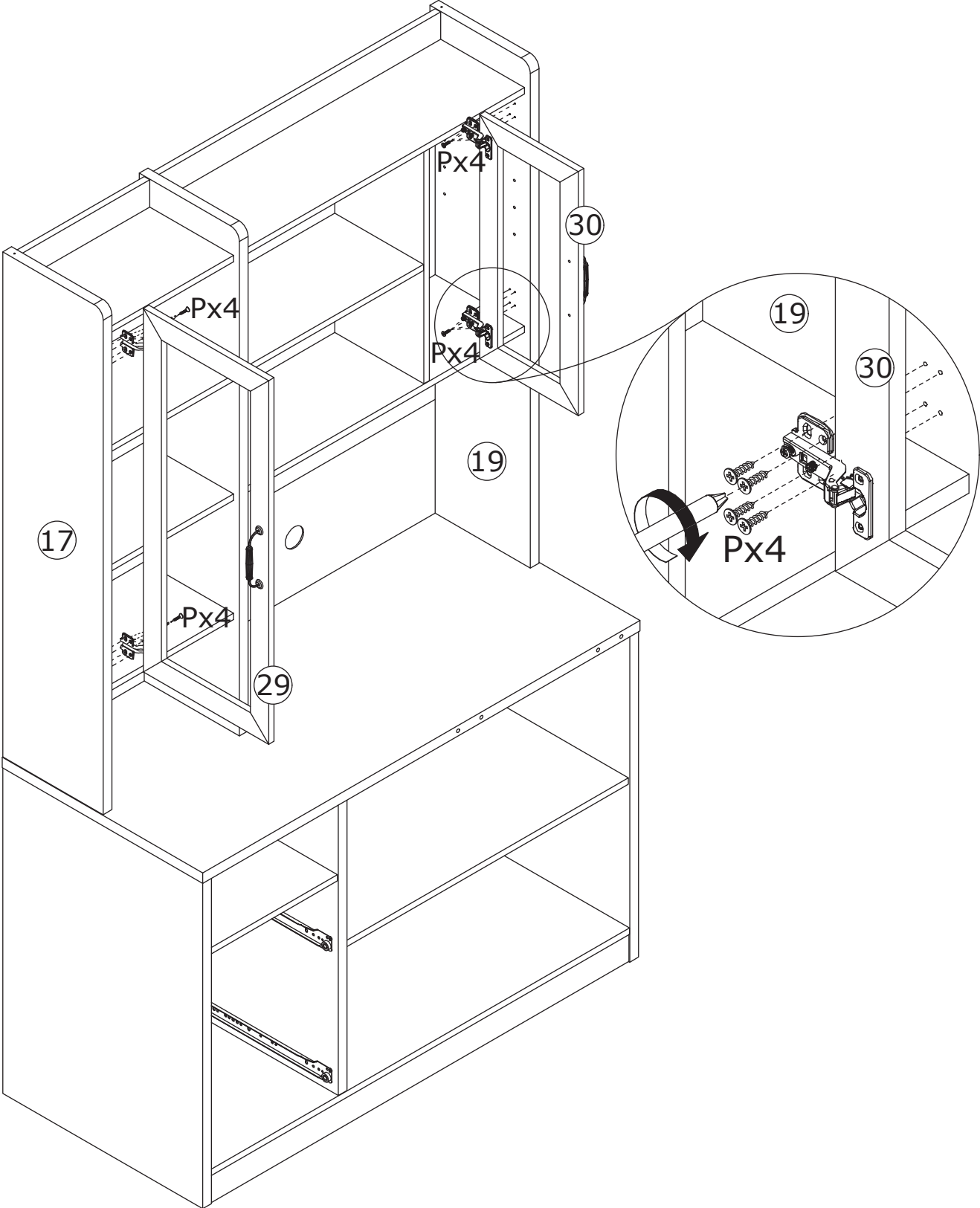


37

P x 16  
Ø 3.5 x 14 mm

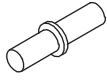


Connect part 29 to part 17, and part 30 to part 19, then secure them with screws (P).

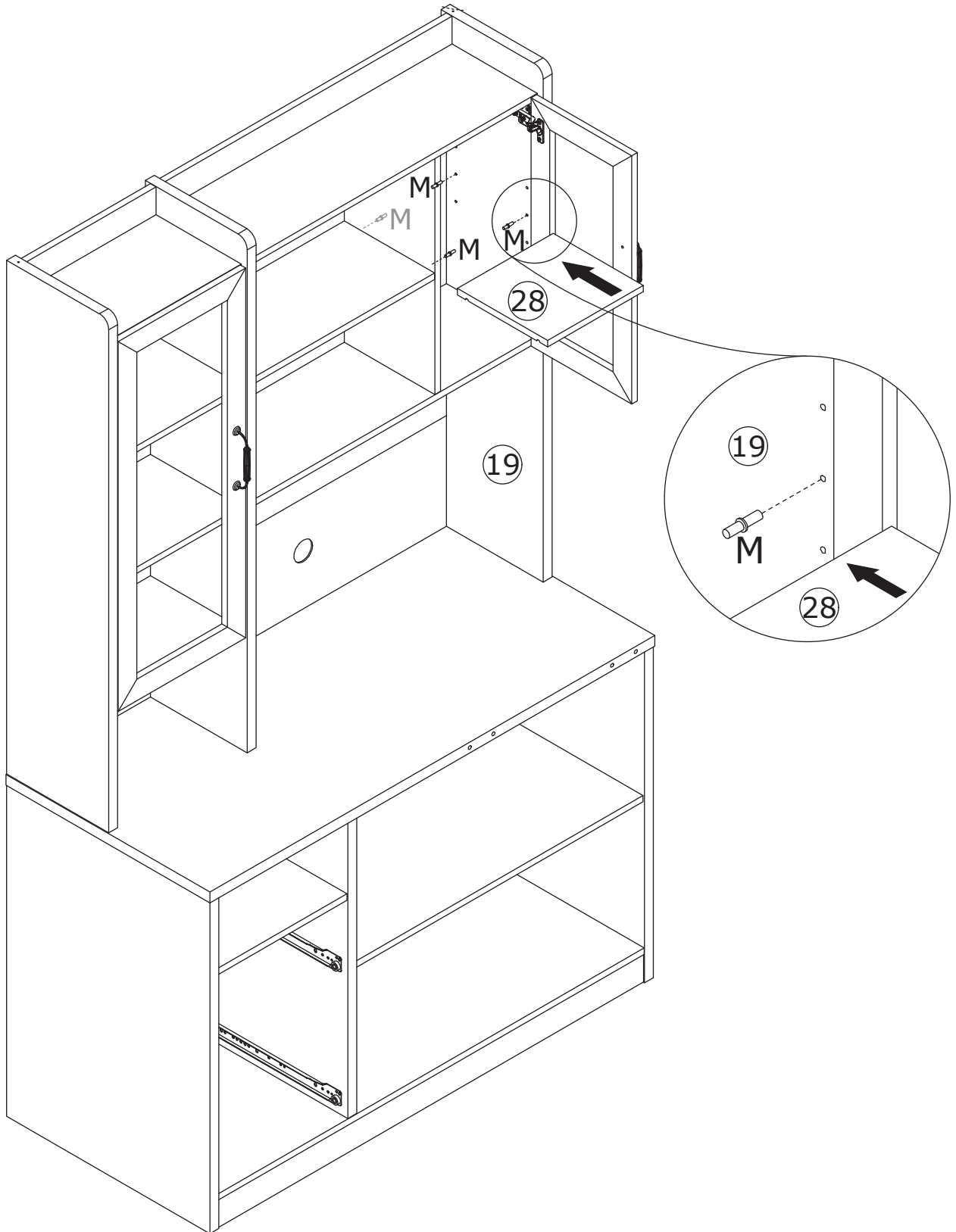


38

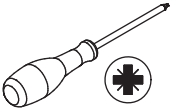
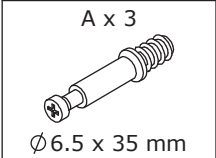
M x 4



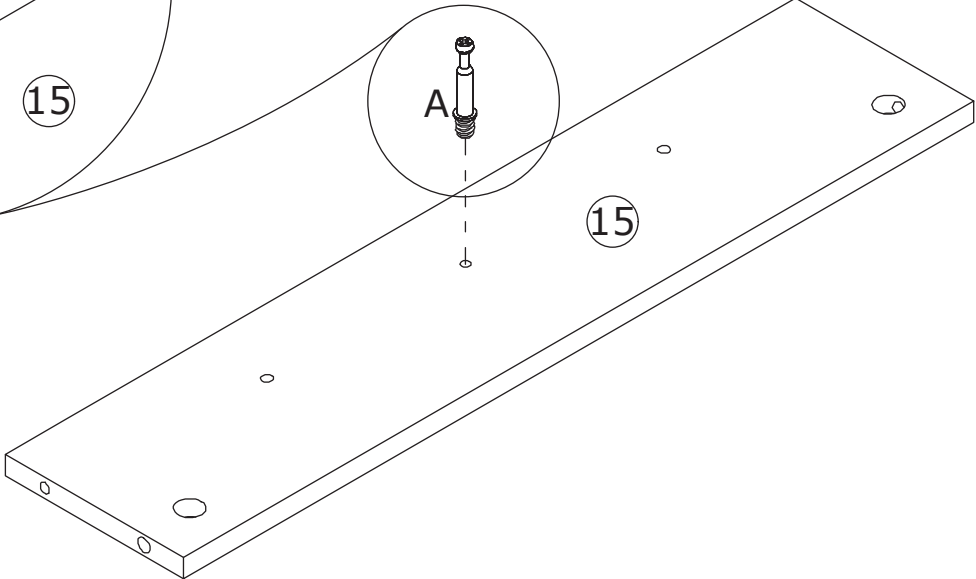
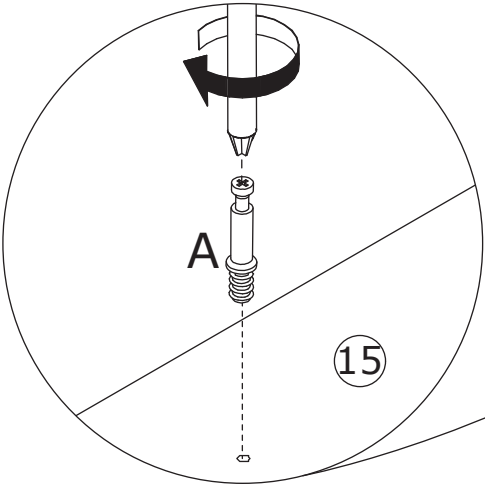
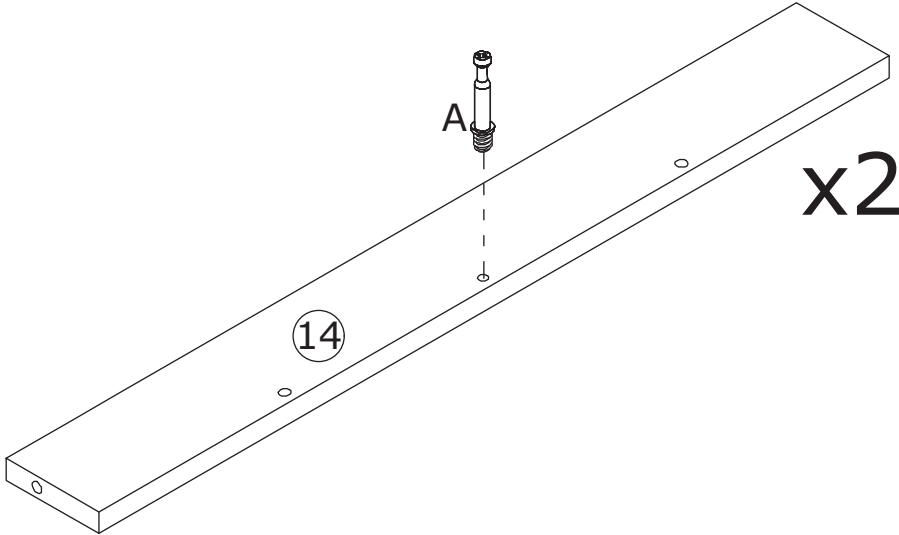
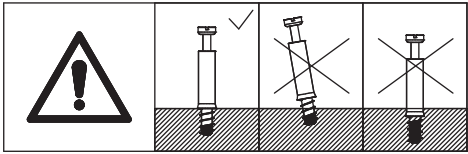
Place shelf pins (M) onto parts 25 and 19, then place part 28.



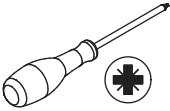
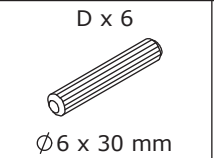
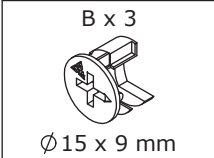
39



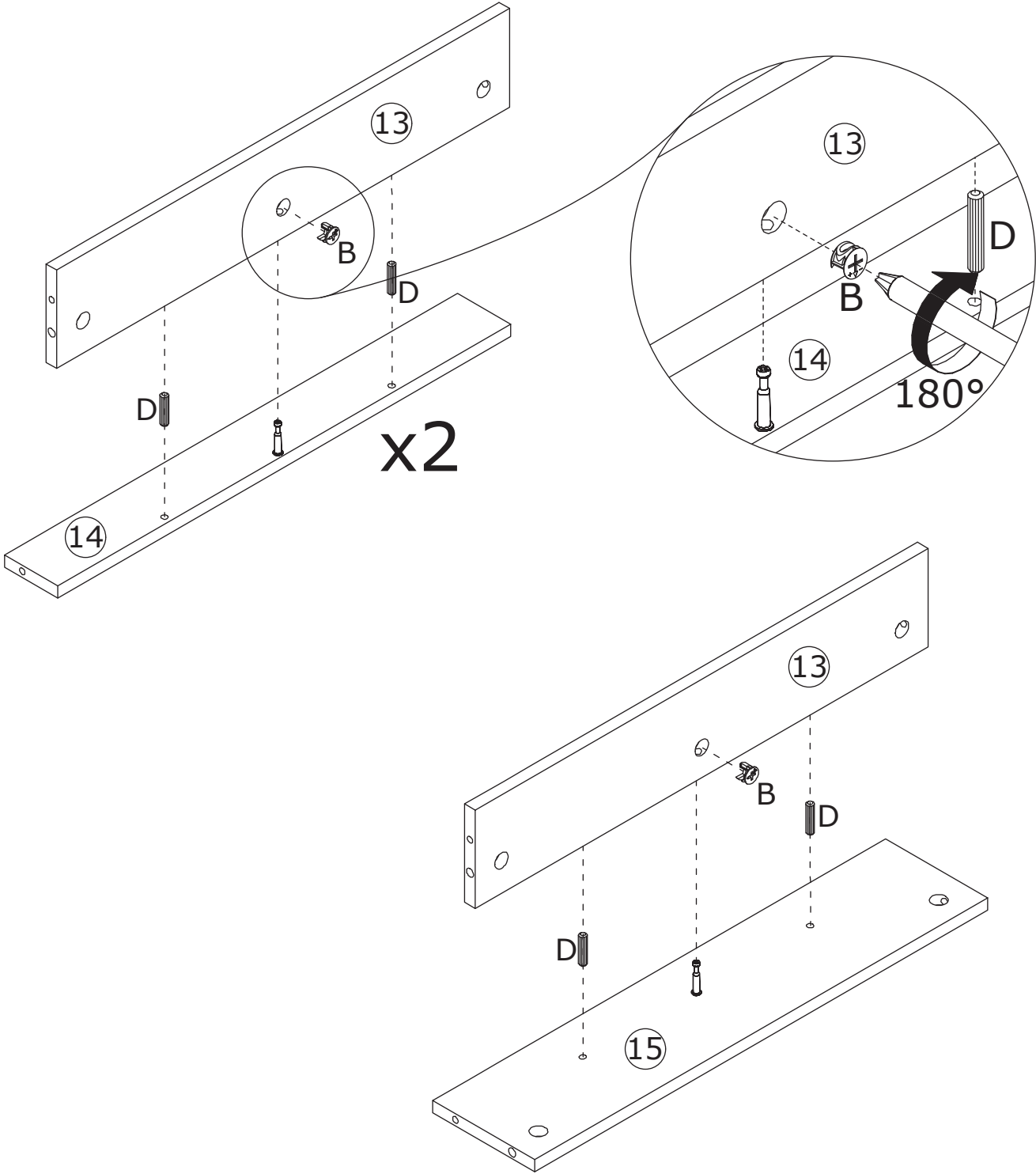
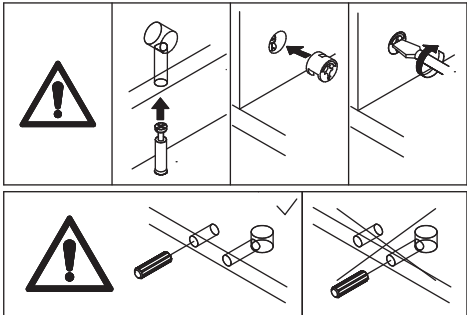
Screw eccentric rods (A) onto parts 14 and 15.



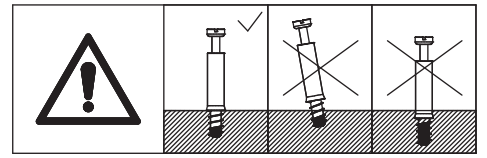
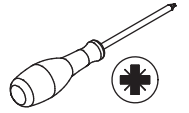
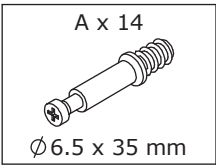
40



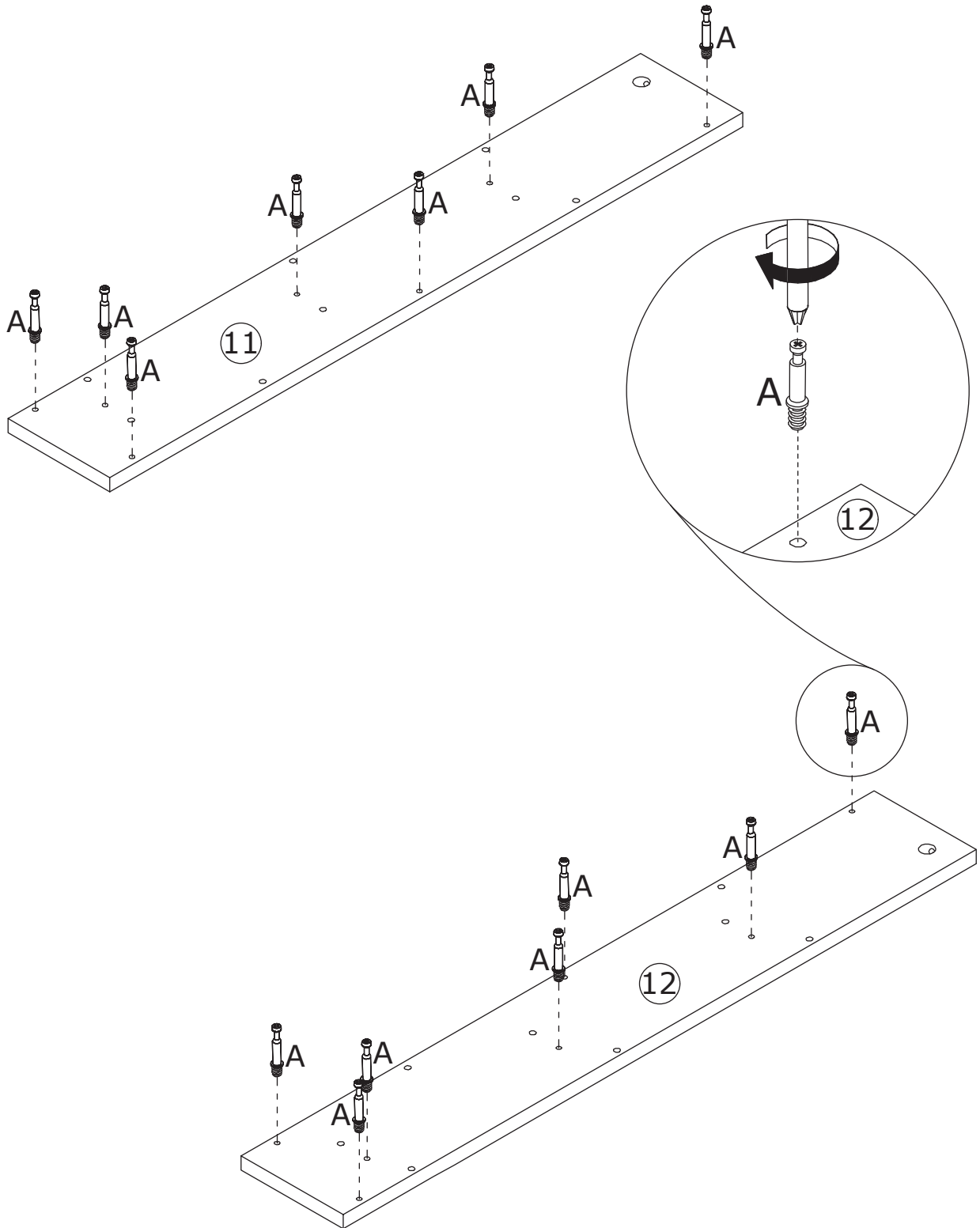
Connect part 13 to parts 14 and 15 respectively using wooden dowels (C), then tighten by turning cam locks (B) clockwise.



41



Screw eccentric rods (A) onto parts 11 and 12.



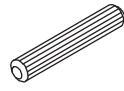
# 42

B x 4

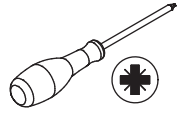


Ø15 x 9 mm

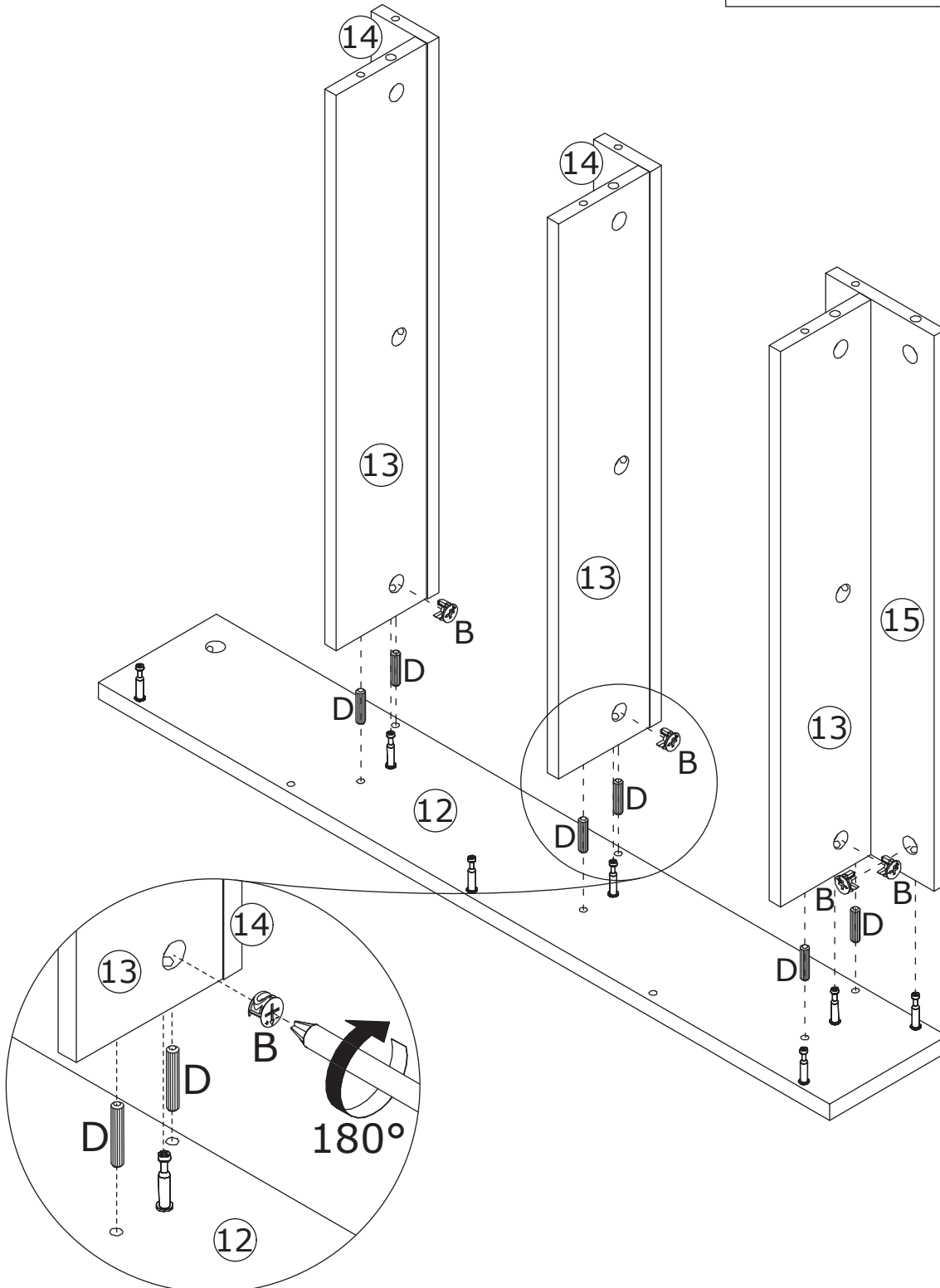
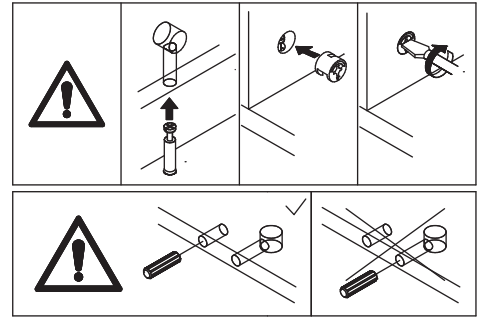
D x 6



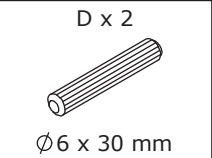
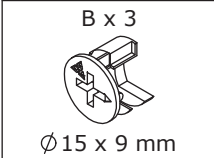
Ø6 x 30 mm



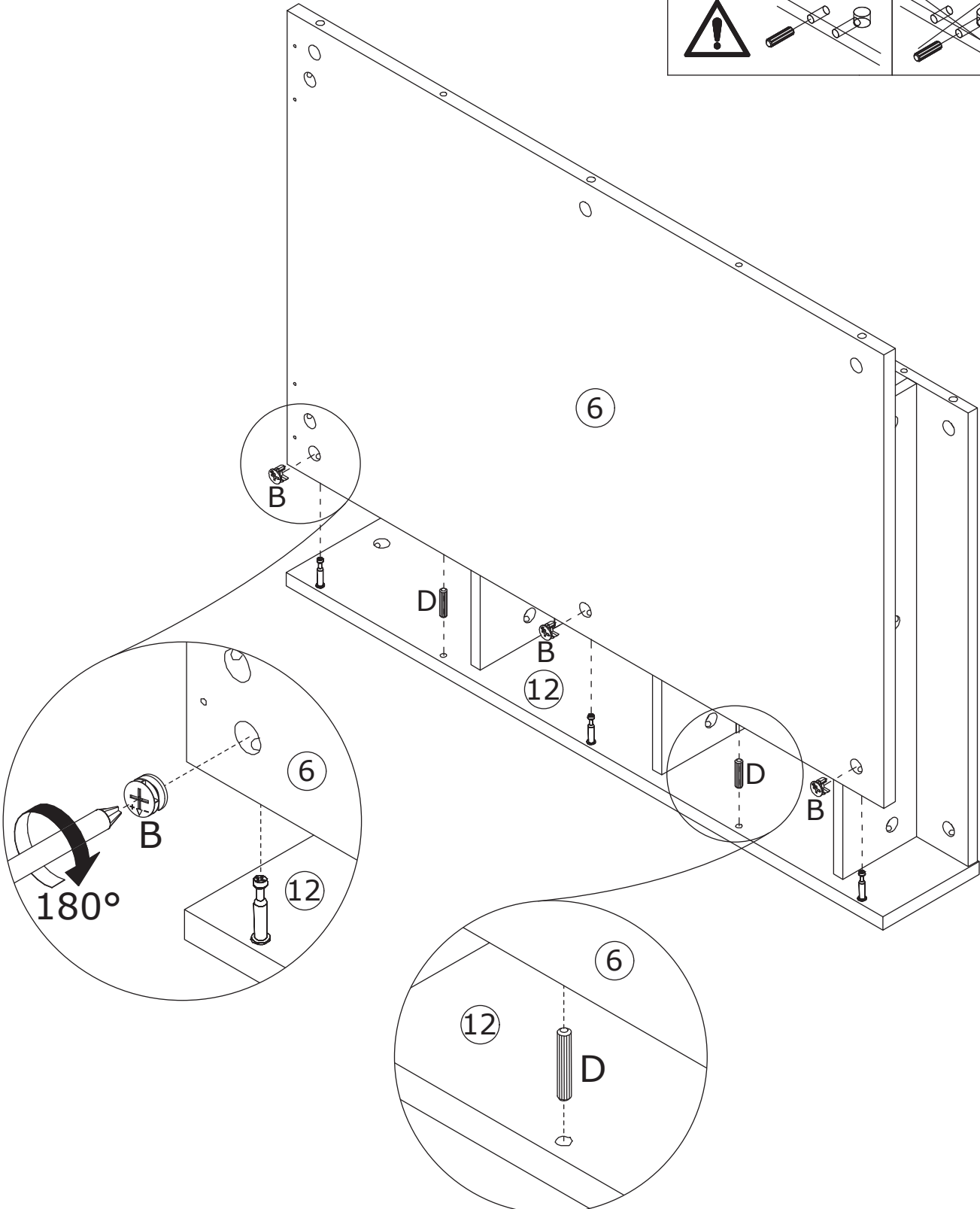
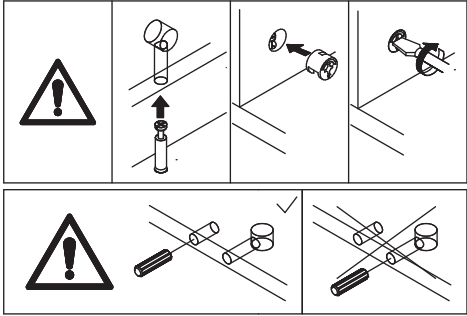
Connect part 13, 14, and 15 to part 12 using wooden dowels (C), then tighten by turning cam locks (B) clockwise.



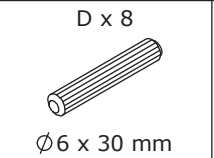
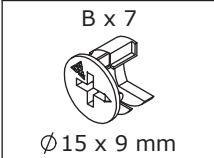
# 43



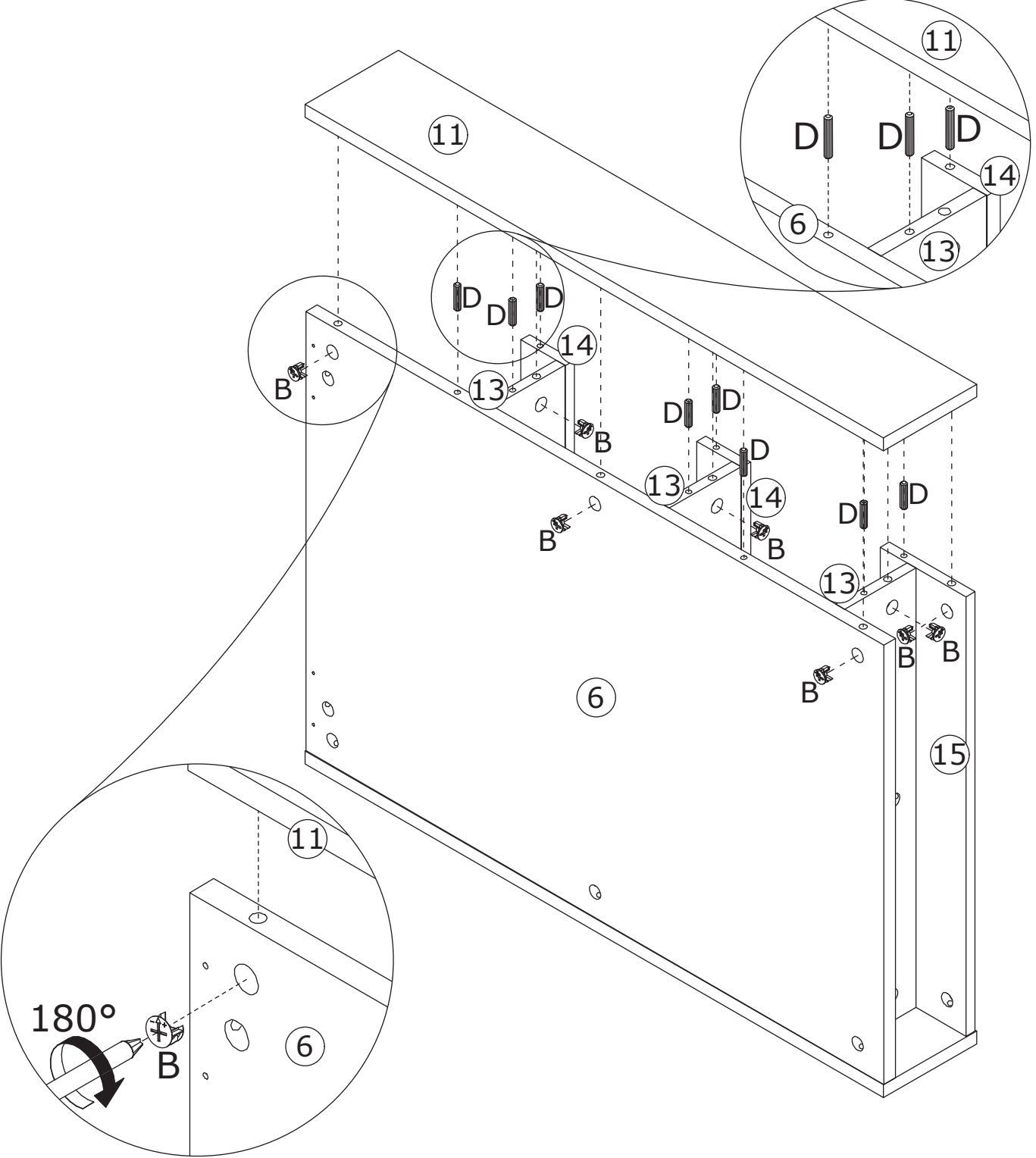
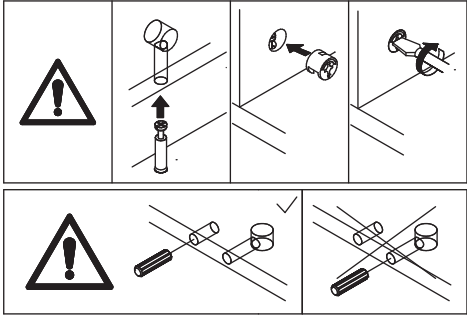
Connect part 6 to part 12 using wooden dowels (C), then tighten by turning cam locks (B) clockwise.



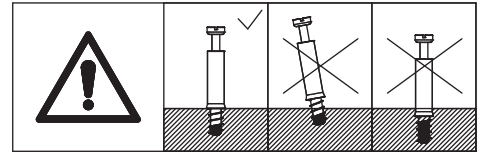
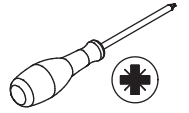
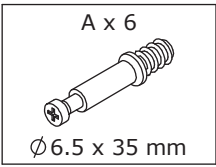
44



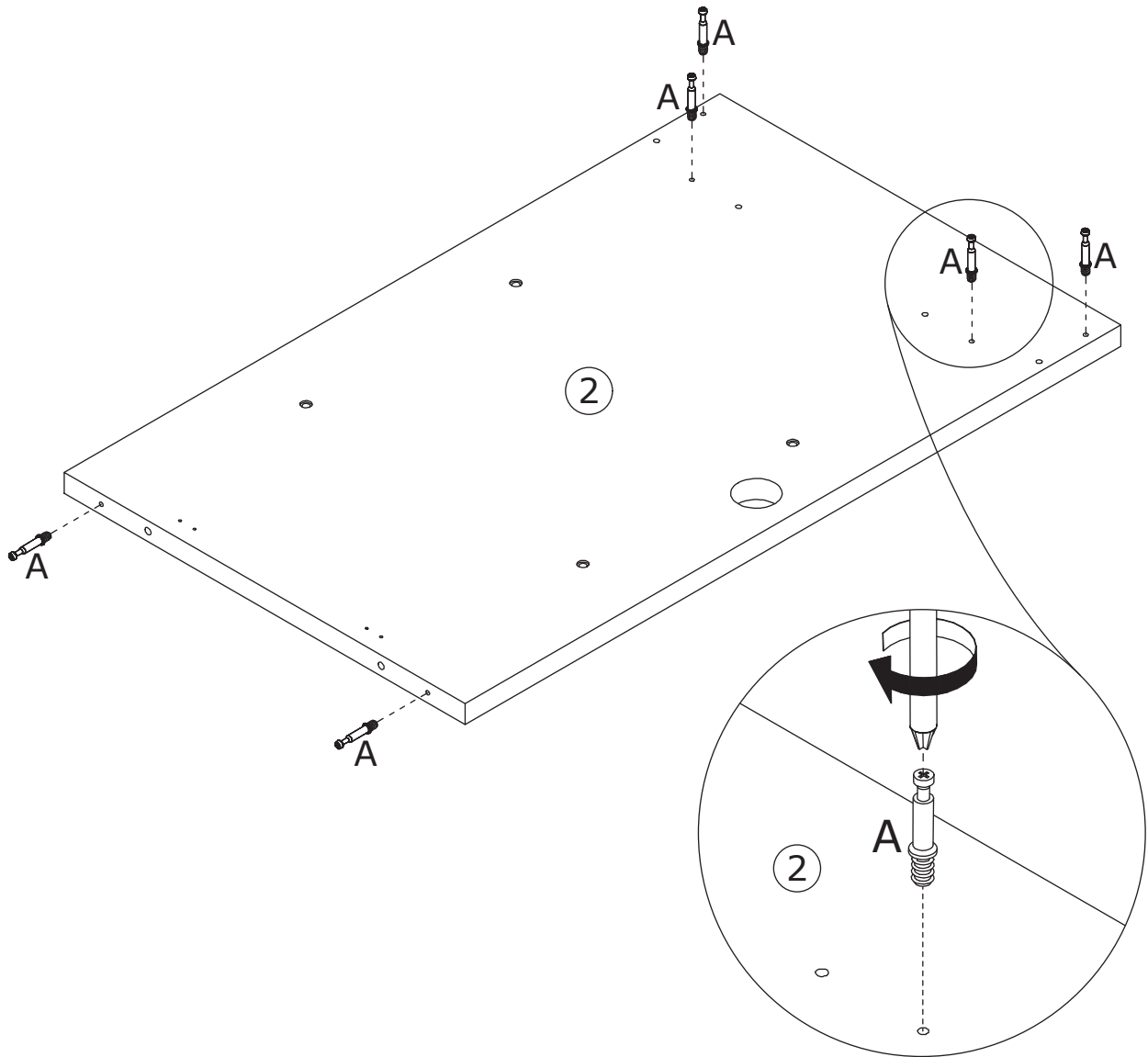
Connect part 11 to parts 13, 14, 15, and 6 using wooden dowels (C), then tighten by turning cam locks (B) clockwise.



45



Screw eccentric rods (A) onto part 2.



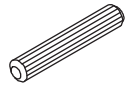
46

B x 4

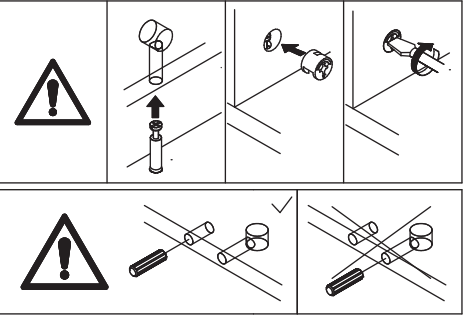
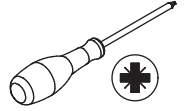


Ø15 x 9 mm

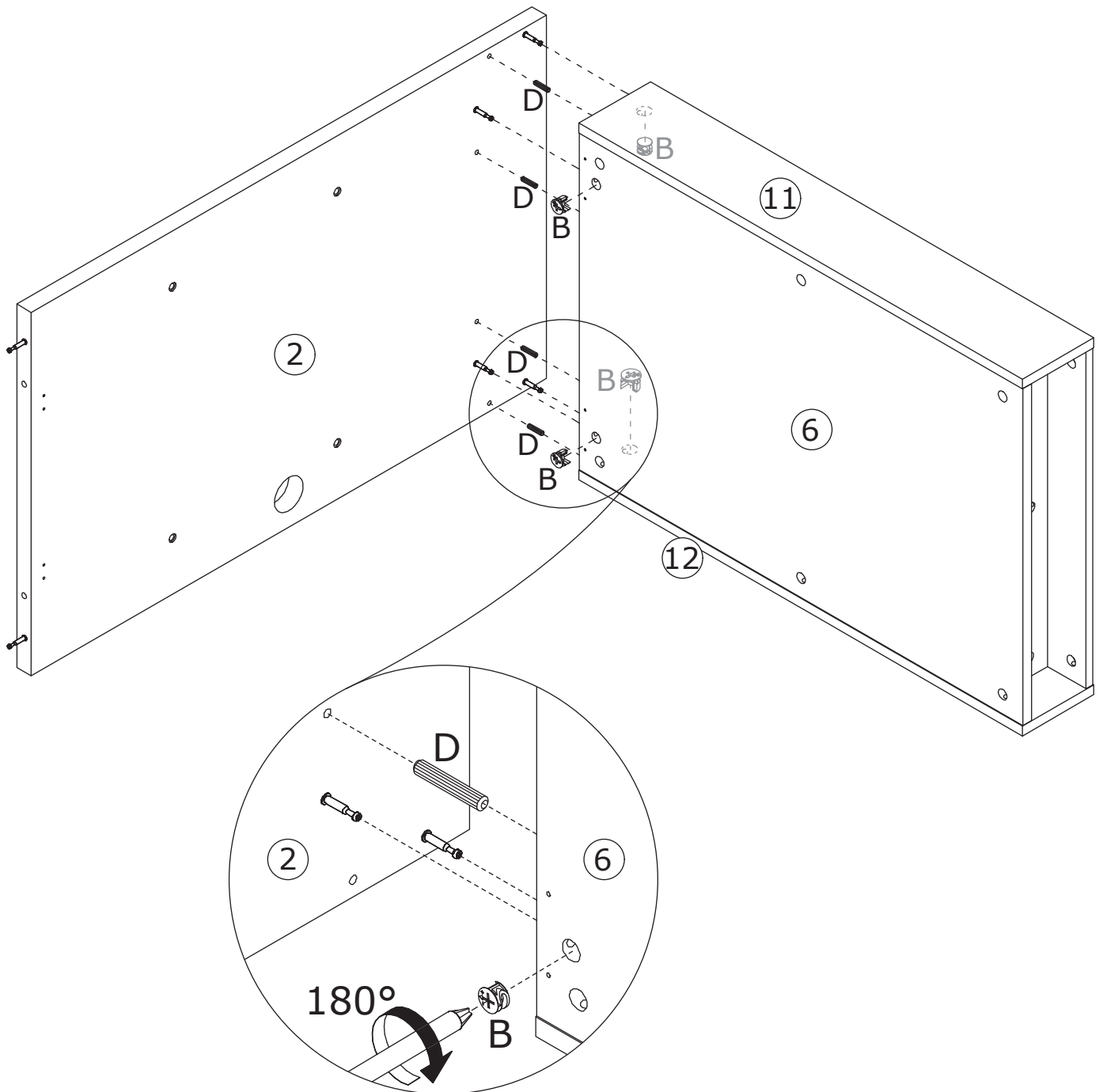
D x 4



Ø6 x 30 mm



Connect part 2 to parts 6, 11, and 12 using wooden dowels (C), then tighten by turning cam locks (B) clockwise.



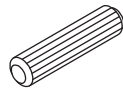
47

B x 2

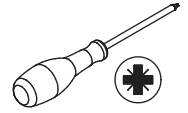


Ø15 x 9 mm

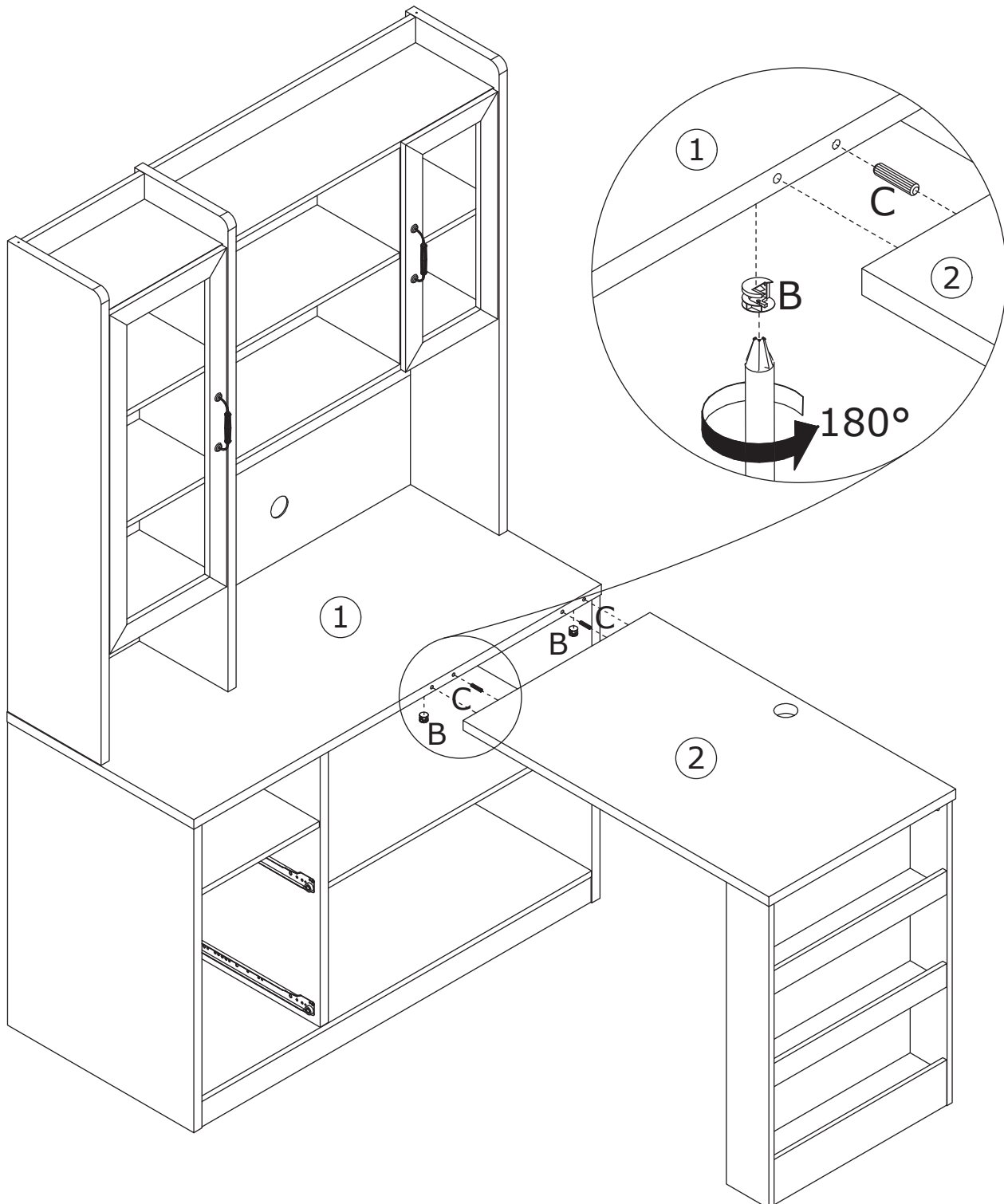
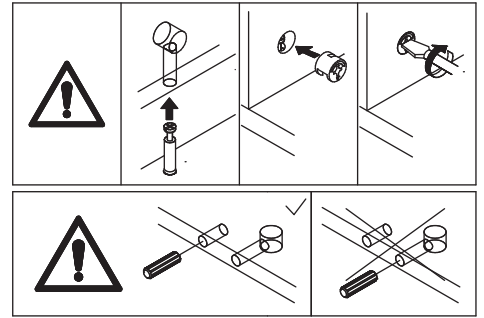
C x 2



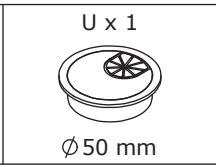
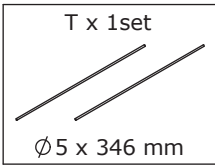
Ø8 x 30 mm



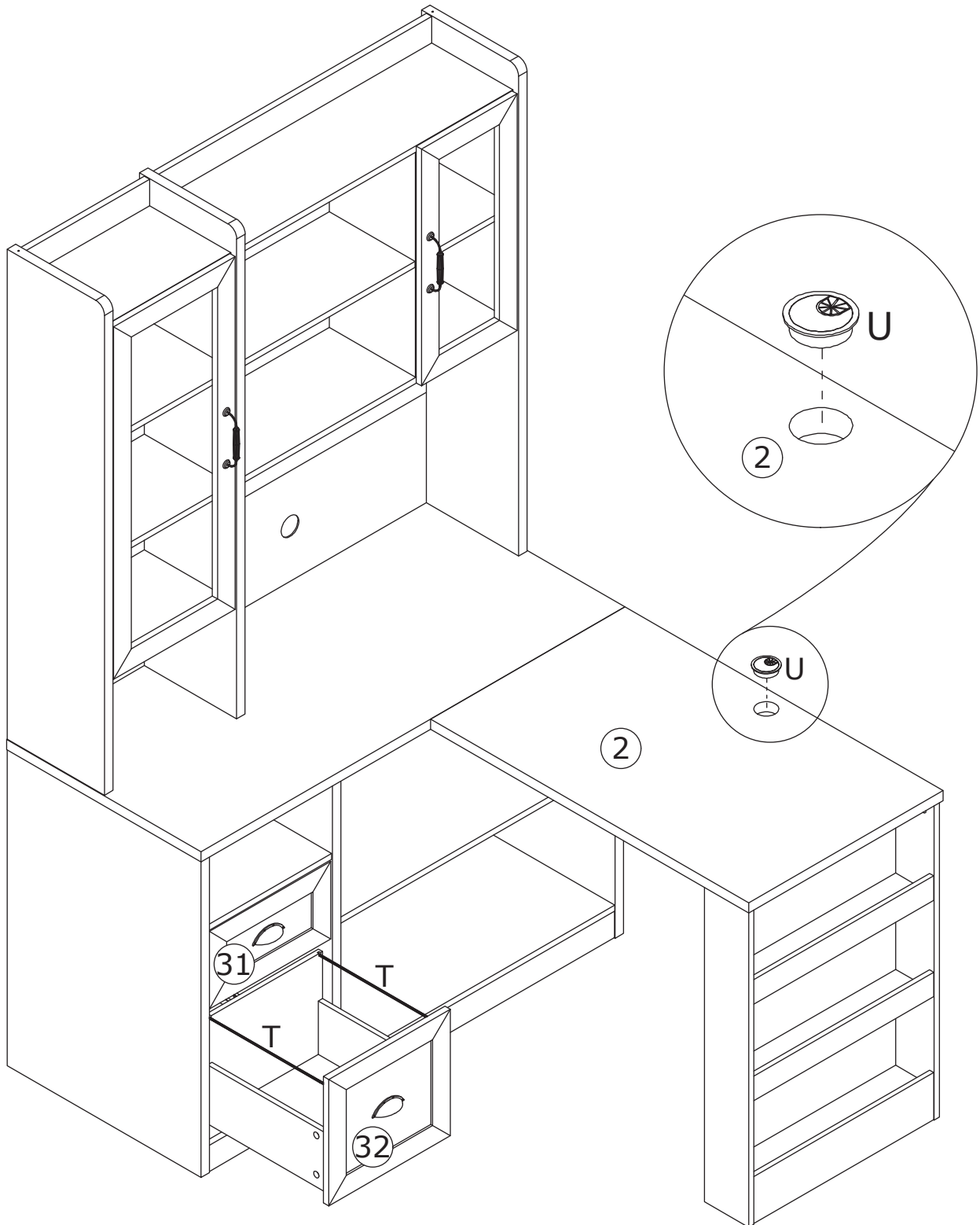
Connect part 2 to part 1 using wooden dowels (C), then tighten by turning cam locks (B) clockwise.





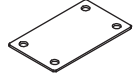
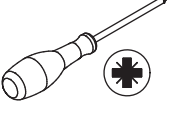
48



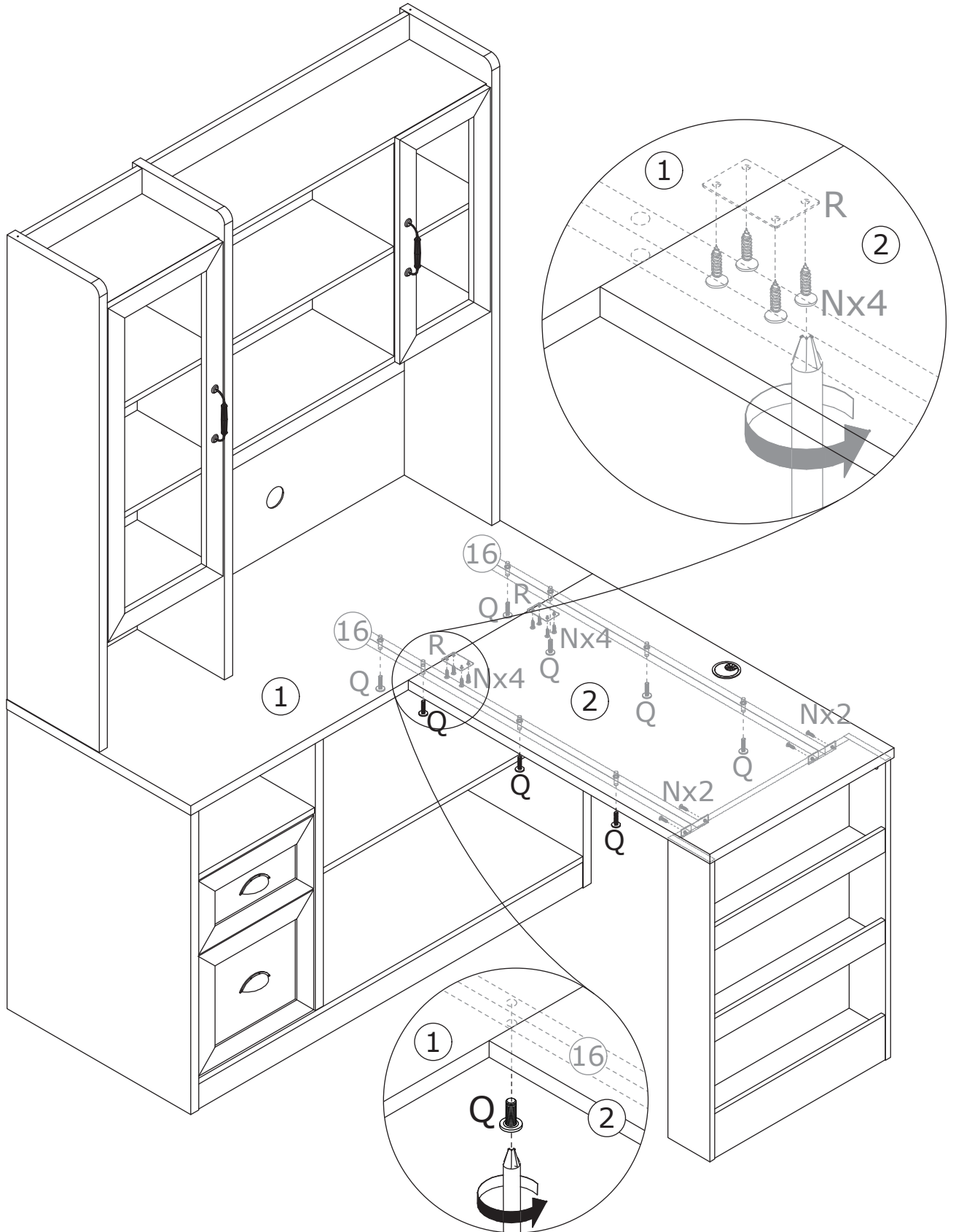
Place rods (T) onto part 32, and place cover (U) onto part 2.



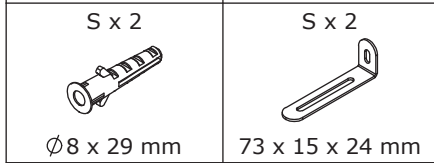
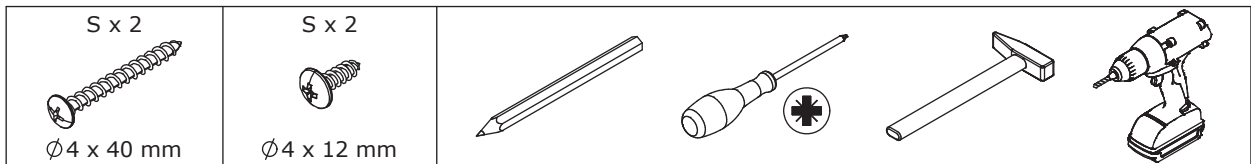
# 49

<p>N x 12</p>  <p>Ø4 x 14 mm</p>	<p>Q x 8</p>  <p>Ø6 x 30 mm</p>	<p>R x 2</p>  <p>60 x 38 x 1 mm</p>	
---	--	--	---

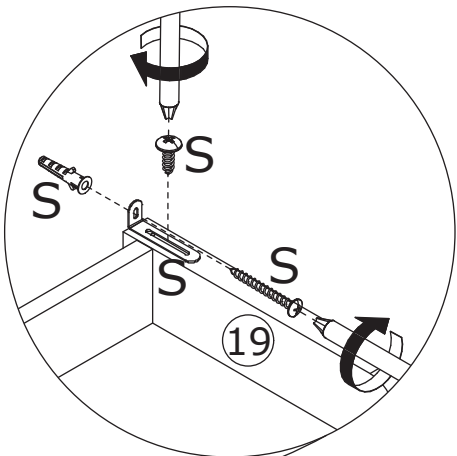
Secure metal plates (R) to parts 1 and 2 with screws (N).  
Secure metal tubes 16 to parts 1 and 2 with screws (Q).  
Secure metal tubes 16 to part 6 with screws (N).

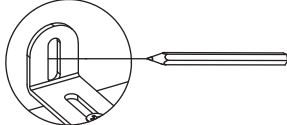
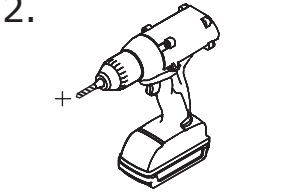
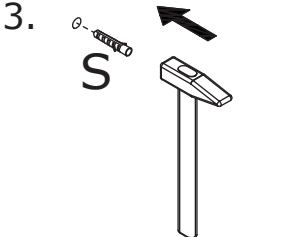
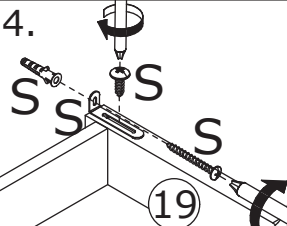


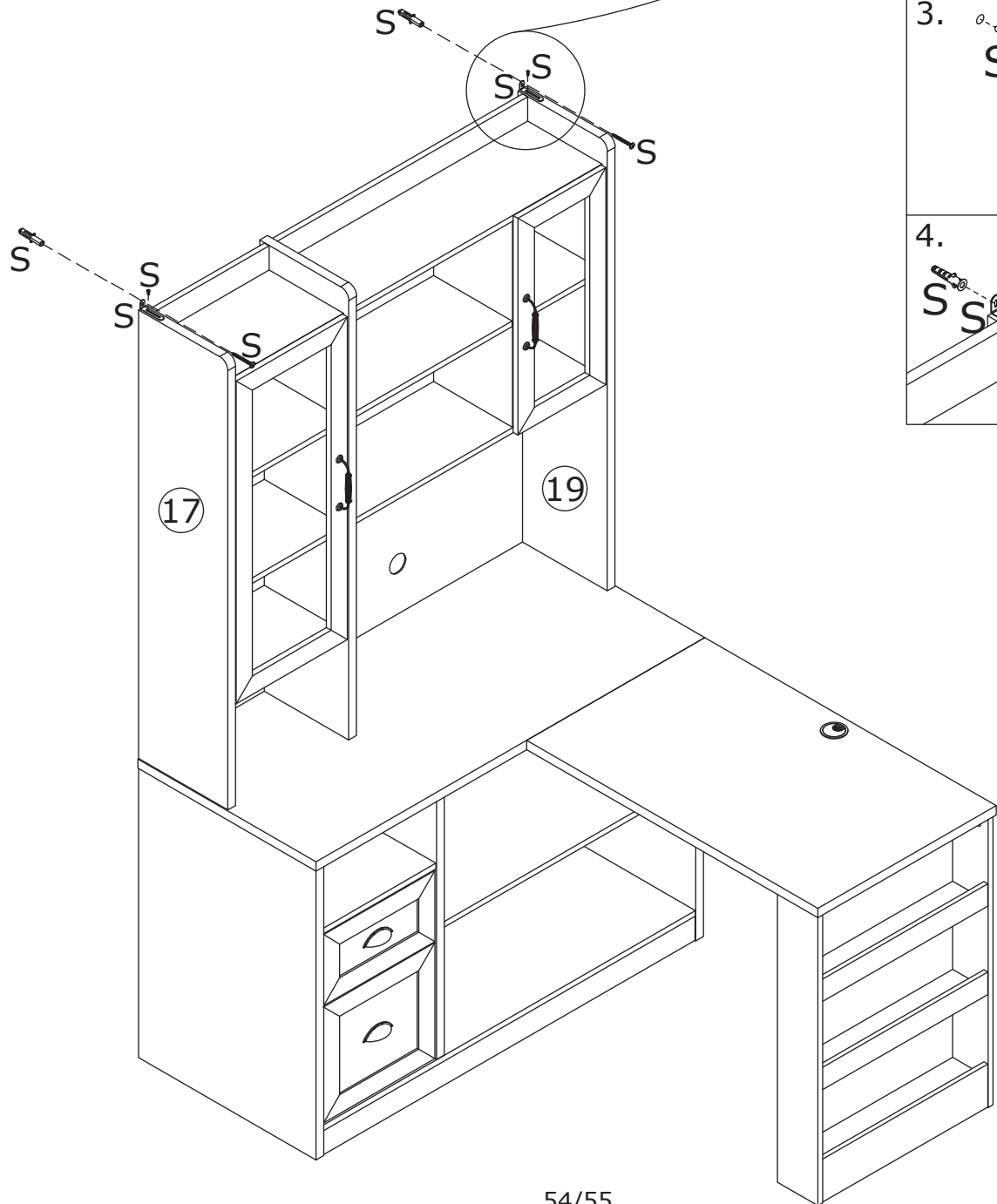
50

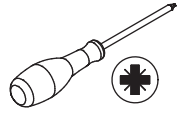


Install anti-tip device as shown.

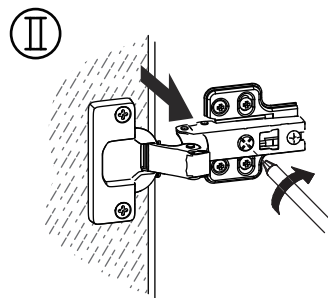
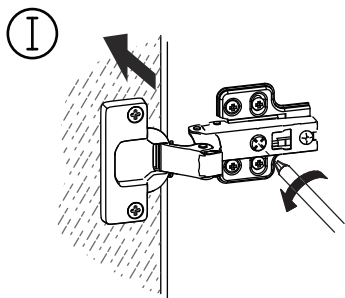
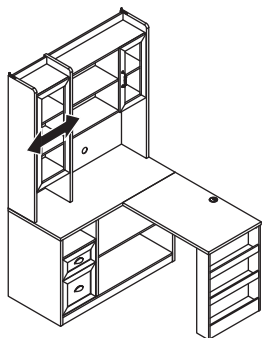
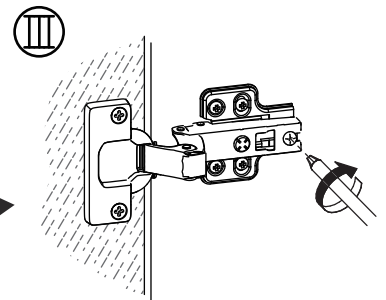
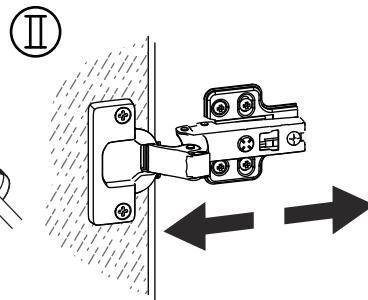
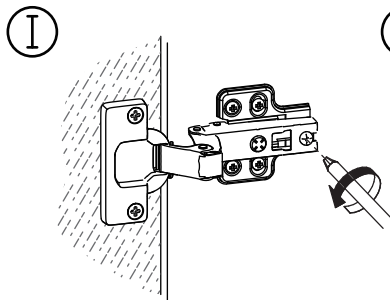
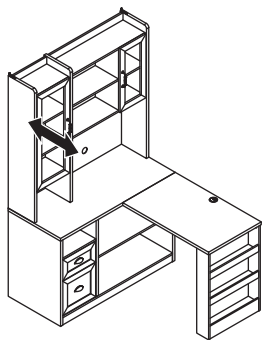
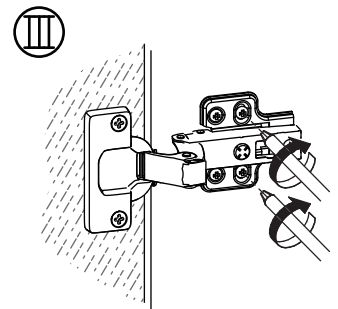
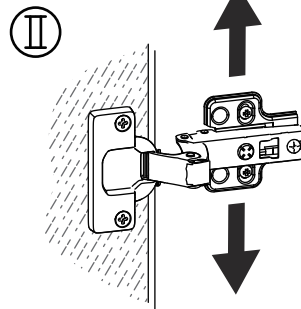
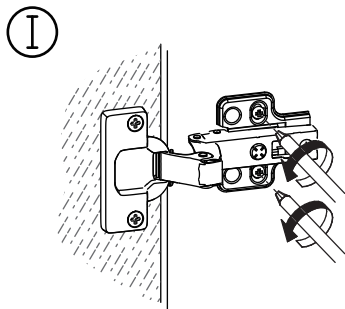
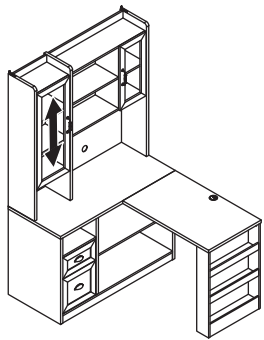
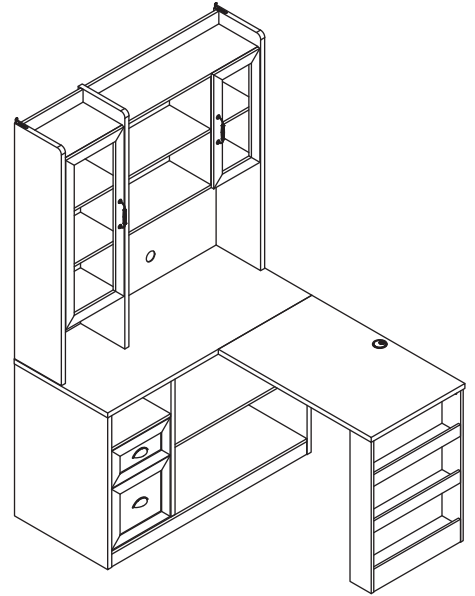


- 
- 
- 
- 





If doors are still not aligned if the hinges are properly installed.



# WARRANTY

## WARRANTY CLAIMS

- There is a 30-day warranty for broken furniture or any other problems that do not work properly. The warranty will start from the date of purchase which must be verified by proof of purchase.
- Before making a claim, we may be able to answer your query, simply call us. Please leave your purchase order number, along with some details of the problem, if you want a replacement part. We will arrange within 48 hours. If there is out of stock, we will reply with a shipping date.
- The product must be used in accordance with the instructions provided. For health reasons.
- For other reasons, if the furniture needs to be returned, it must be cleaned and dried and operated within 30 days of receipt.

## Type of Warranty Claim

- Failure to follow the furniture instructions will invalidate the warranty. Attention please.
- Does not include damage during installation, but includes damage during transportation.

## Scope of responsibility

- Shall not bear any responsibility for misuse or user damage and / or loss of parts during the installation of furniture.
- After using, the damage and scratches of the furniture are not covered by the warranty.

## The Warranty Relates to All Bought in The Us and Covers The Following Areas

- Sheet parts: 1 month from the date of purchase.
- Electrical parts: 1 month from the date of purchase.

# RETURNS

## **CHANGED YOUR MIND AND NEED TO RETURN YOU ITEM?**

### **PLEASE FOLLOW THE BELOW INSTRUCTIONS:**

- If you have purchased and have simply changed your mind, follow the retailer's instructions for returns.

### **DEFECTIVE ITEMS**

- If your item is defective in any way, i.e. it doesn't work but you can't identify why, in the first instance, please call us.

### **DAMAGED ITEMS**

- If you receive an order with obvious shipping damage from the retailer, then we suggest the delivery is refused. If the delivery has been accepted and then shipping damage is found, please follow the specific instructions advised by the retailer.  
In all circumstances please save all packaging material and paperwork for the order. Please be aware that if you dispose of packaging material or attempt to return the merchandise without contacting the fulfiller, you jeopardise your chances of making a claim, and you may not receive a credit for the return.