

### Material

- Anodized aluminum hardware prevents rusting or corrosion.
- Tempered glass ensures maximum safety and durability.

### Technology

- Frameless design emphasizes glass and creates a sleek, minimalist look.
- Innovative roller design simplifies installation and provides out-of-plumb adjustability.
- Frameless, 5/16" (8 mm) thick Crystal Clear tempered glass door.
- Door tracking system features a hidden, cushioned, center guide for smooth, quiet sliding action.
- Smooth, easy-to-clean wall jambs.
- Vertical blade handles accentuate the contemporary style.
- CleanCoat® nanotechnology helps prevent bacteria, mildew and water stains on your glass, making it easy to clean and looking new.

### Installation

- Out-of-plumb adjustability allows for simpler installation.
- Can be installed to open to the left or right.
- Not for use in hospitality.
- For residential use only.

### Included Components

Additional Components:  
Hardware kit



### Codes/Standards

CPSC 16CFR 1201

### KOHLER® One-Year Limited Warranty

See website for detailed warranty information.

### Available Colors/Finishes

*Color tiles intended for reference only.*

Color	Code	Description
-------	------	-------------

	SHP	
--	-----	--

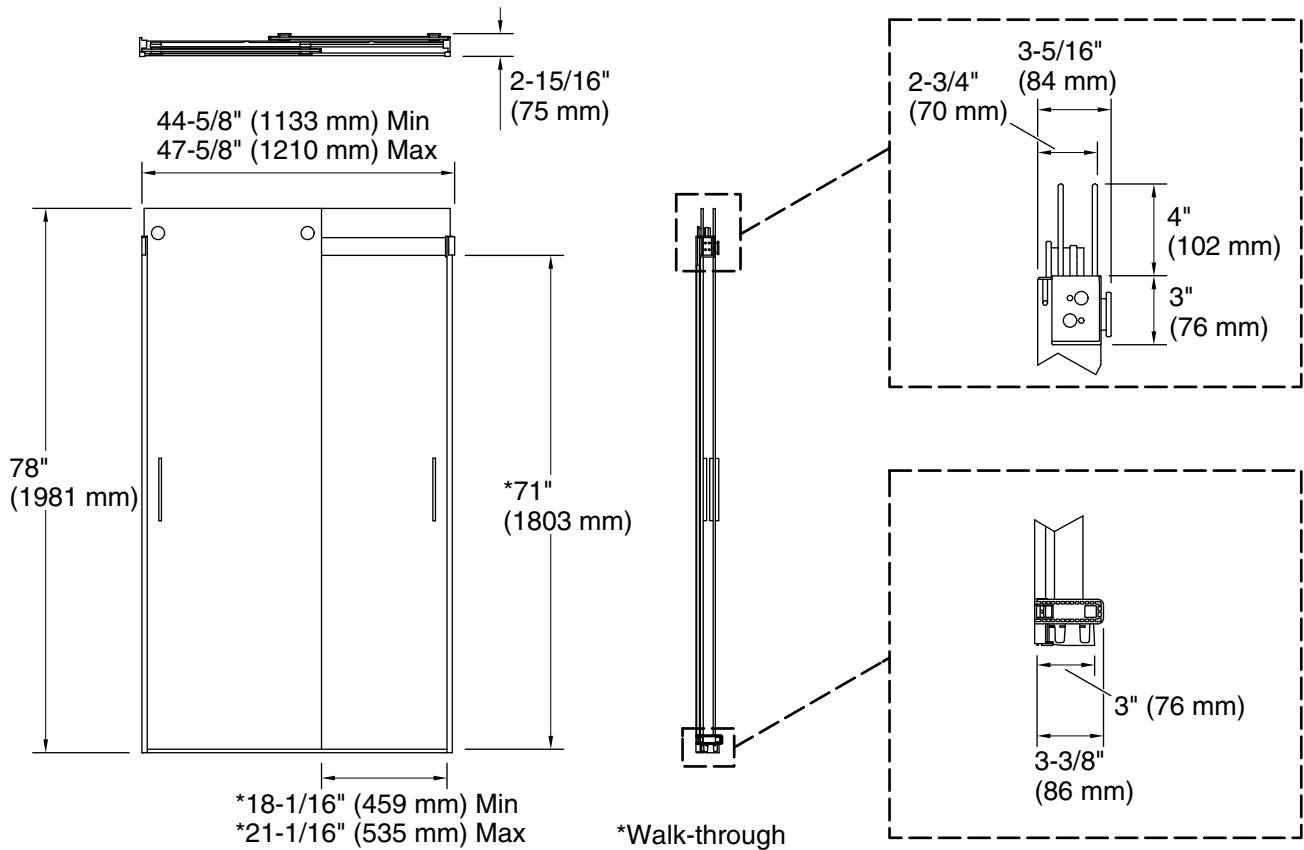
	NX	
--	----	--

	ABZ	
--	-----	--

### Available Glass Options

Code	Description
------	-------------

L	Crystal Clear
---	---------------



### Technical Information

All product dimensions are nominal.

Installation type:	For shower base installation
Opening style:	Sliding/Bypass
Opening Width - Min:	44-5/8" (1133 mm)
Opening Width - Max:	47-5/8" (1210 mm)
Walk-through - Min:	18-1/16" (459 mm)
Walk-through - Max:	21-1/16" (535 mm)
Glass thickness:	5/16" (8 mm)
Glass coating:	CleanCoat®

### Notes

Install this product according to the installation instructions.

If replacing a shower door, the narrow wall jamb design of this door may not cover the existing shower door holes.

The vertical opening should be a minimum of 80-1/2" (2045 mm) to allow for installation clearance.