

Assembly Instructions Console Table/Desk



A (4 pcs)
Ø8x700mm1

B (4 pcs)
Ø8x30mm

C (1 pcs)
M8

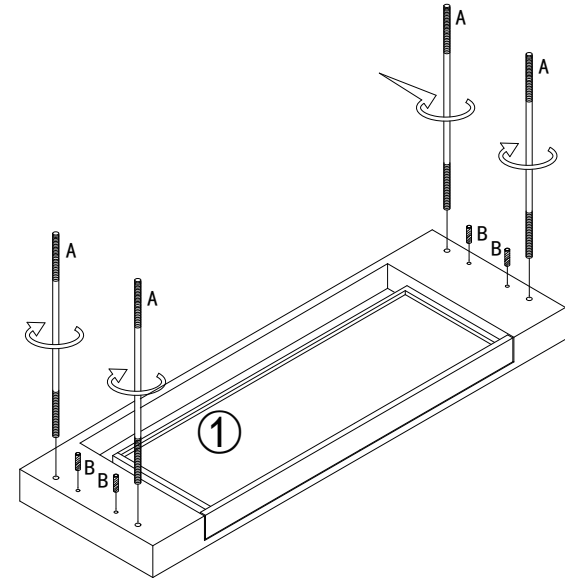
D (4 pcs)
M8

E (4 pcs)
Ø8x20mm1

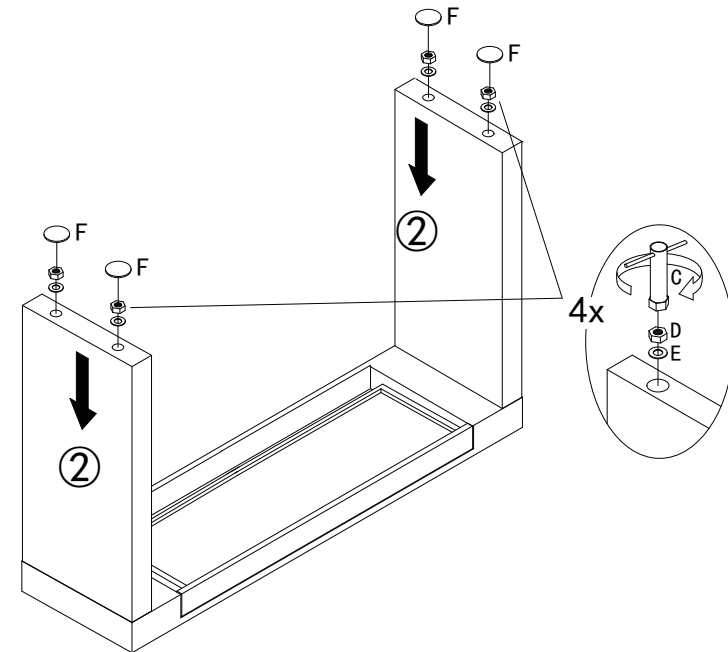
F (4 pcs)
Ø35x5mm1

PLEASE NOTE: Check that you have received all components and hardware before assembling.

1▷



2▷



During assembly, hand tighten screws only. When the screws are in place, tighten completely.