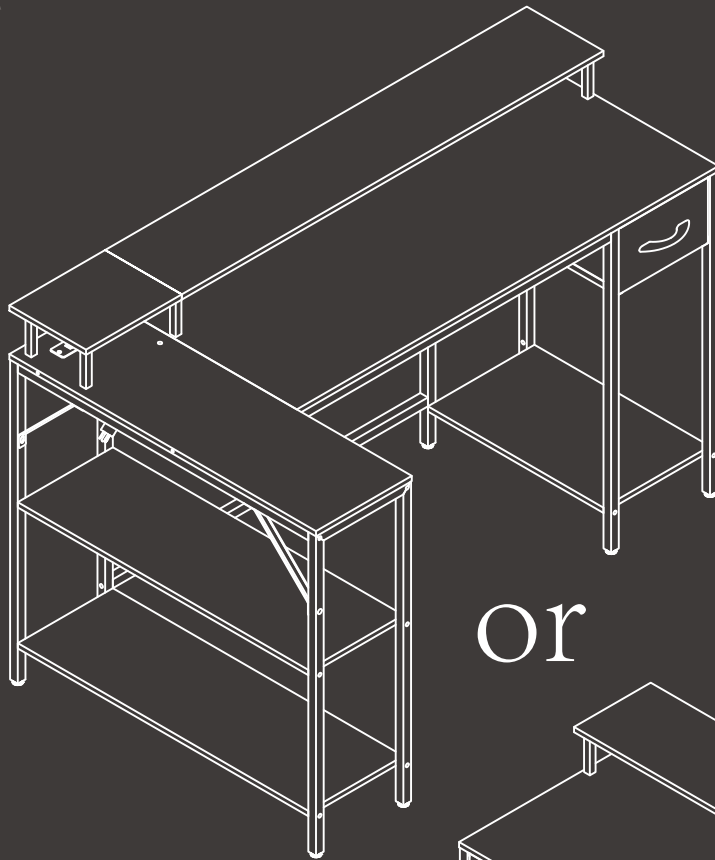


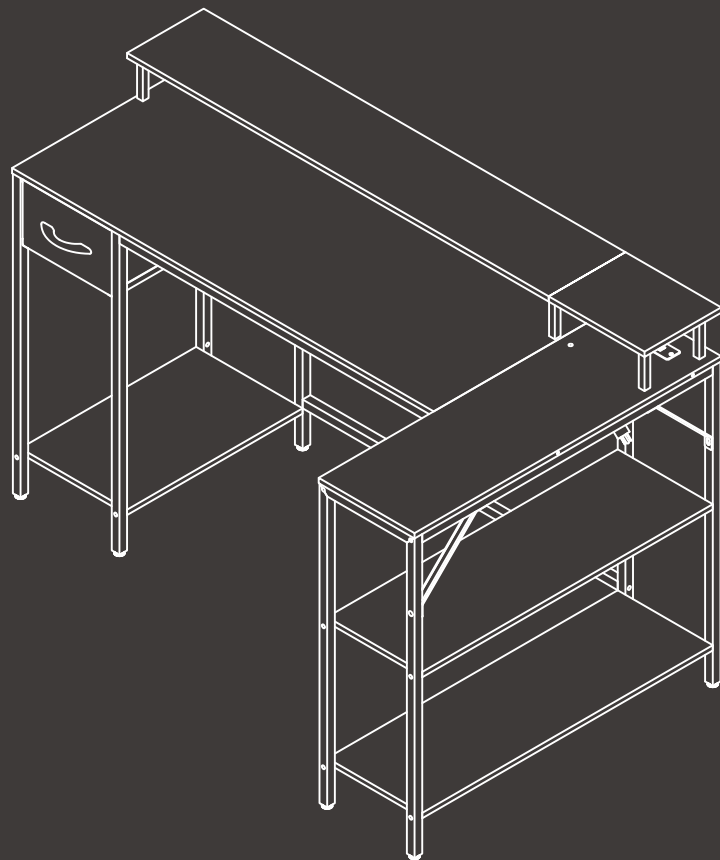
L Shaped Desk

Instruction Manual

FH-LXZ2CDD-53



or

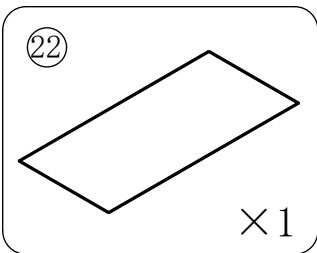
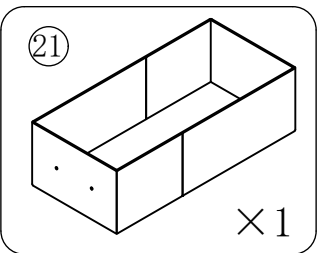
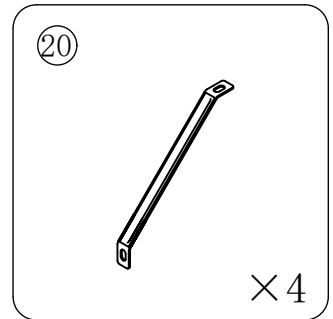
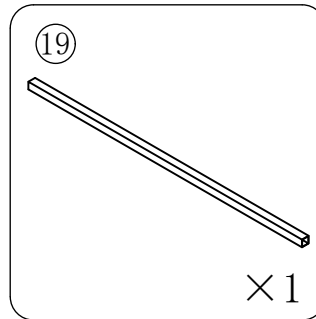
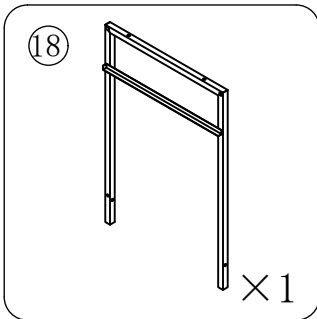
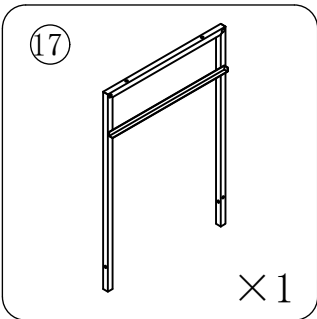
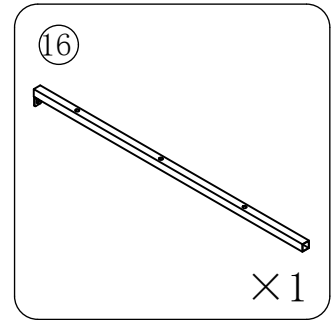
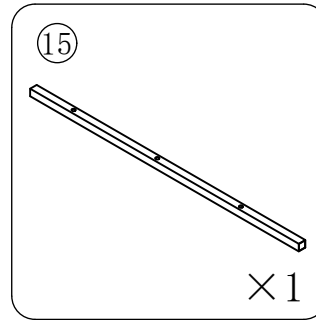
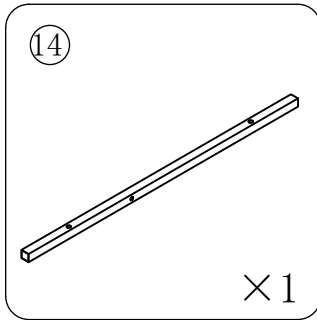
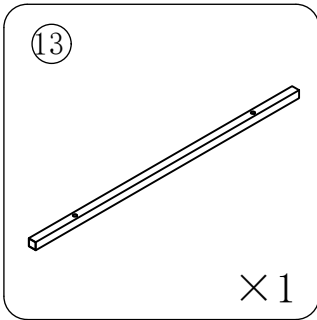
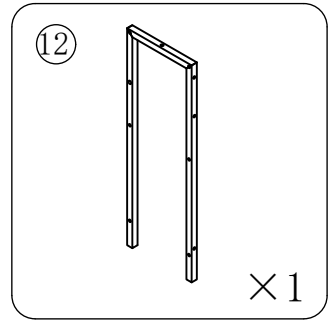
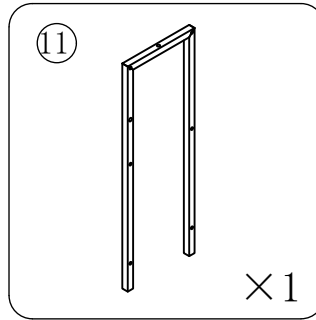
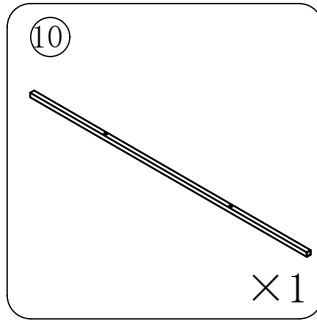
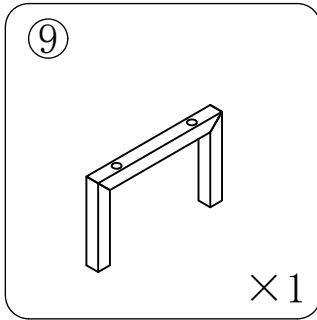
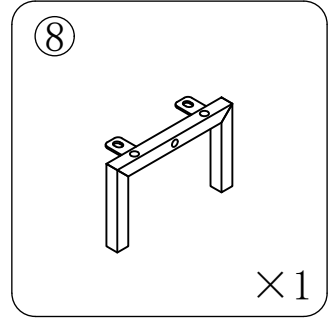
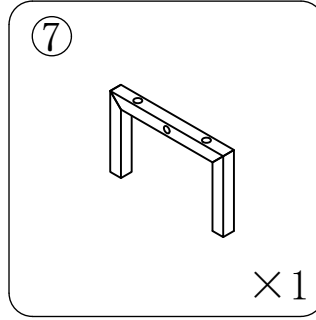
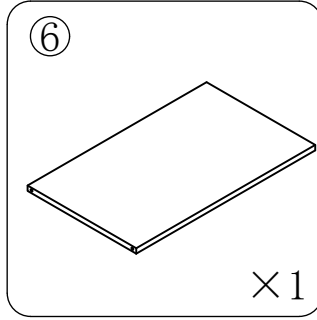
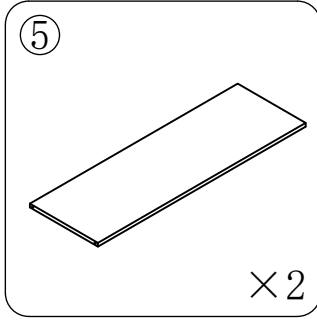
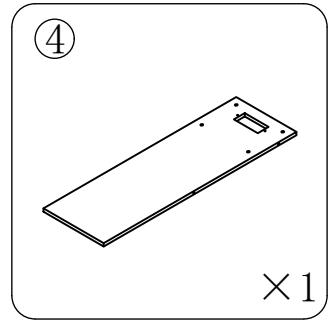
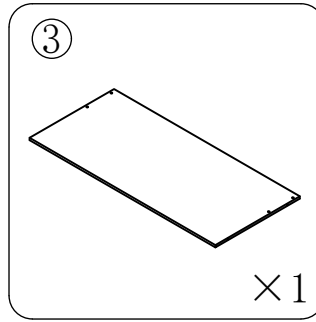
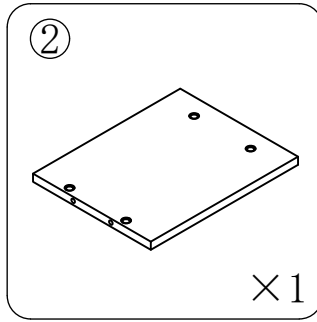
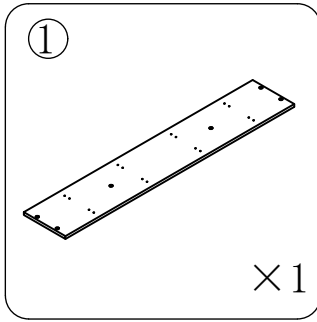


✉ HJ-Customer-Service@outlook.com

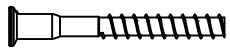
☎ (909)637-7665 | (909)637-7593

EST 9:00AM--17:00PM

PARTS LIST



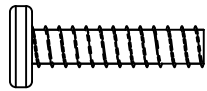
A



M6 × 50mm

× 12

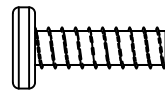
B



M6 × 28mm

× 25

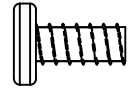
C



M6 × 23mm

× 16

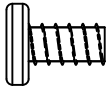
D



M6 × 15mm

× 8

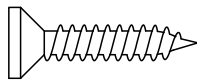
E



M6 × 10mm

× 3

F



M3.5 × 10mm

× 10

G



M4 × 10mm

× 2

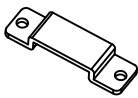
H



M6 × 40mm

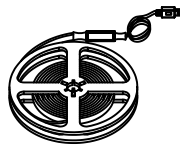
× 4

I



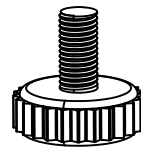
× 4

J



× 1

K



M6

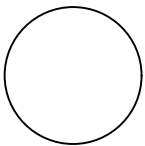
× 8

L



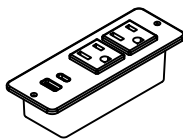
× 1

M



× 6

N



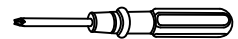
× 1

O

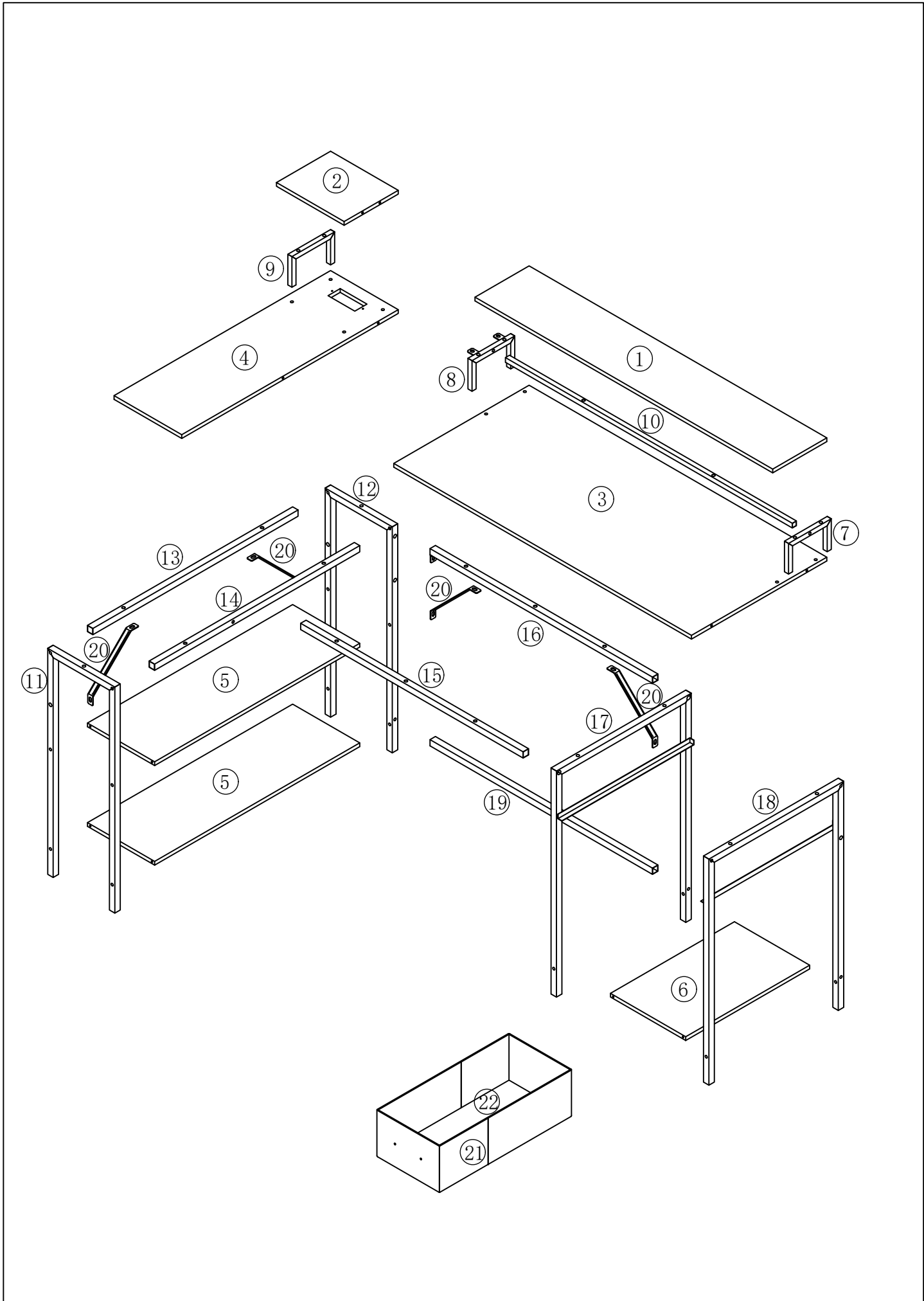


× 1

P




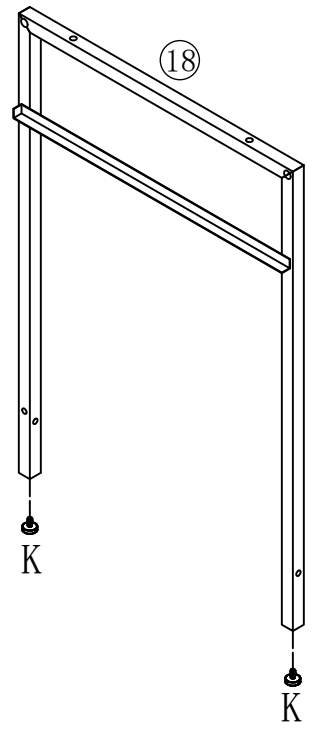
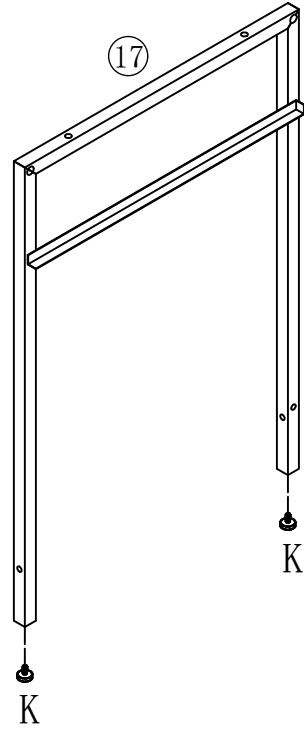
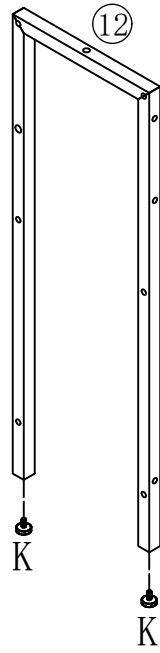
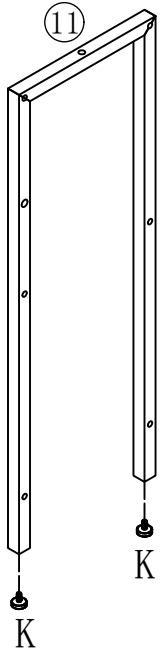
× 1



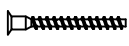

ASSEMBLY INSTRUCTION

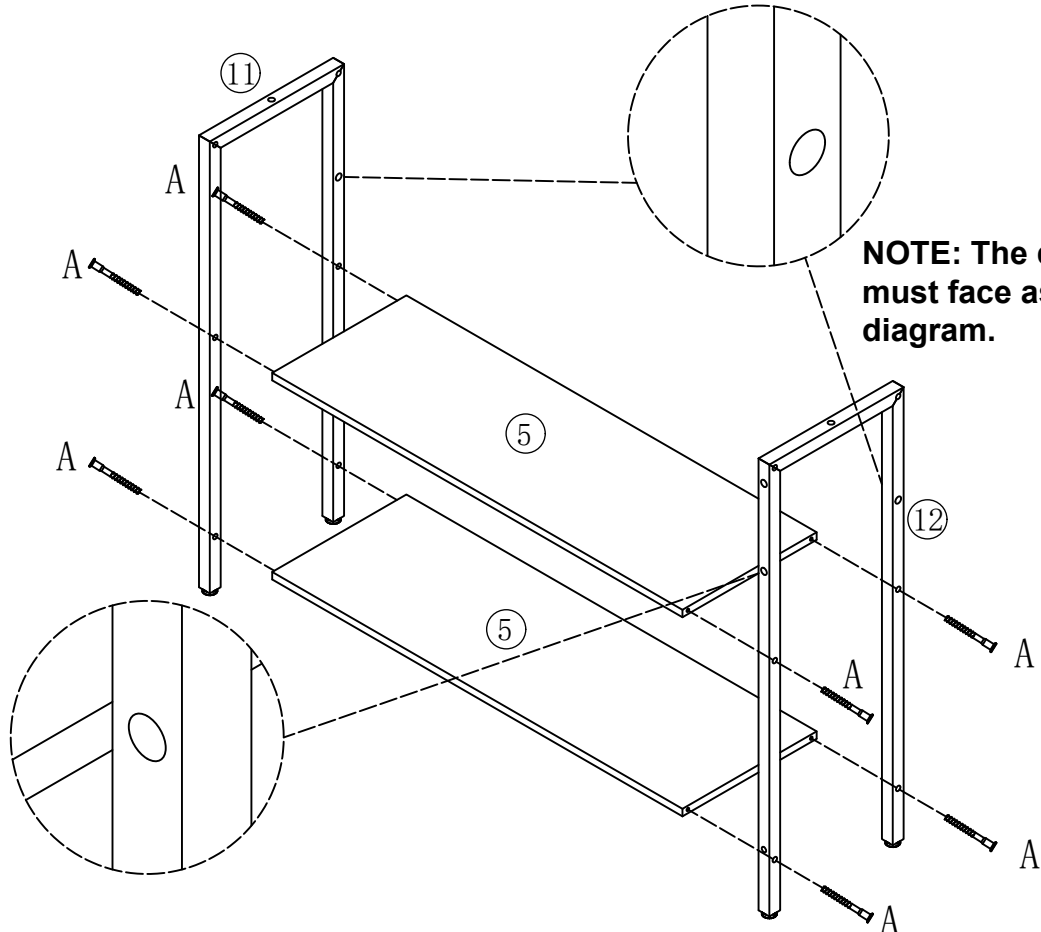
1

K  × 8



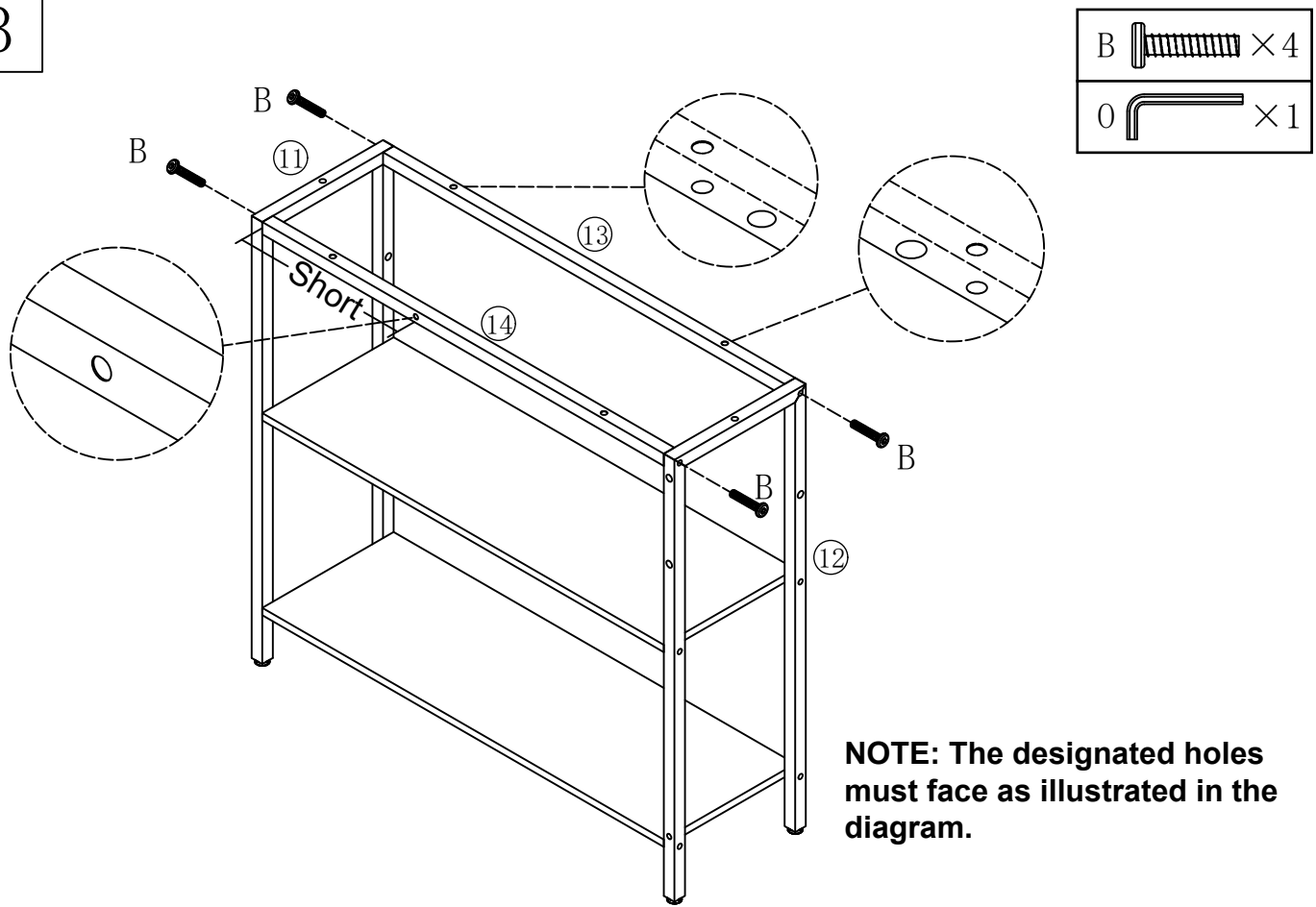
2

A  × 8
O  × 1



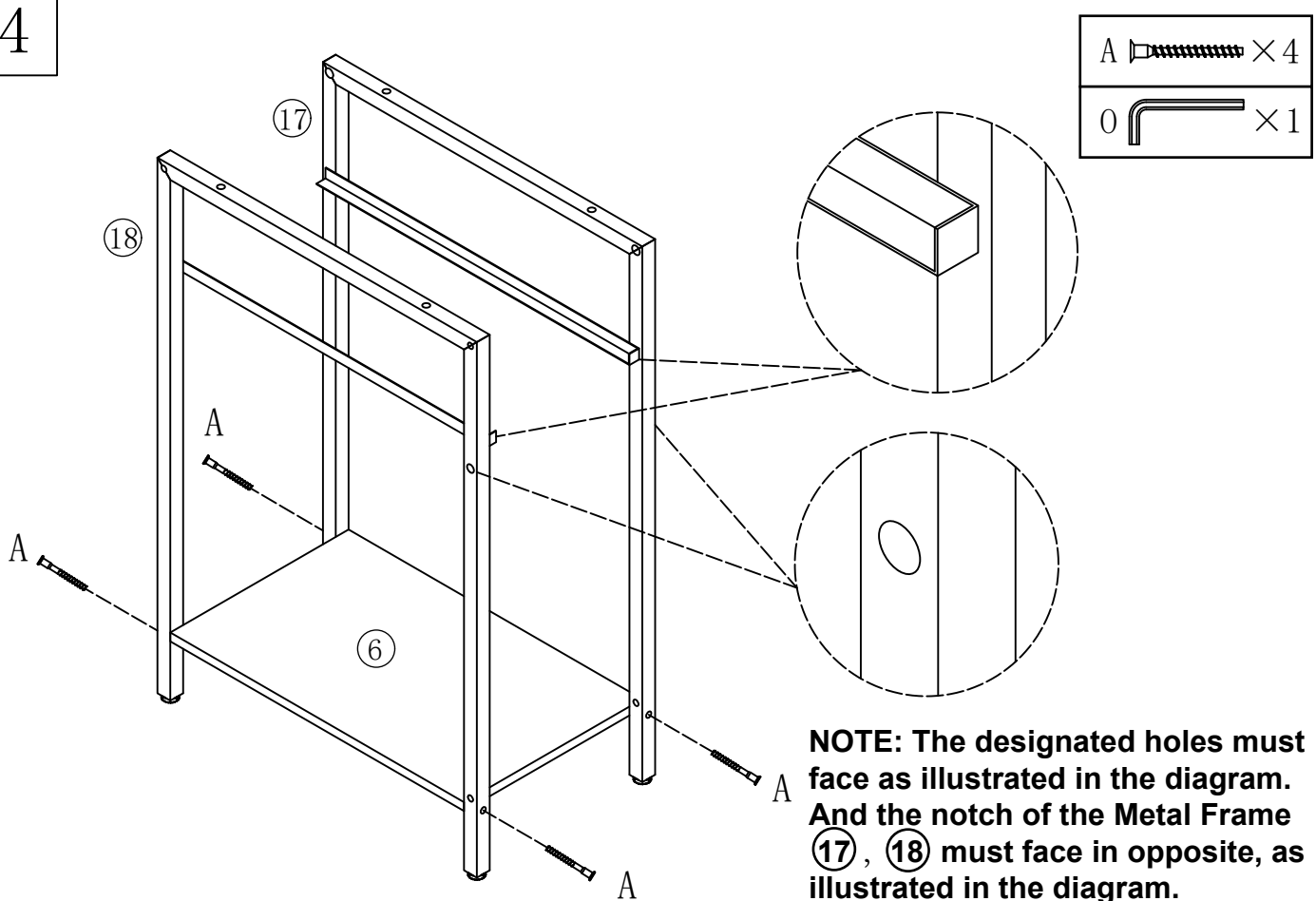
NOTE: The designated holes must face as illustrated in the diagram.

3



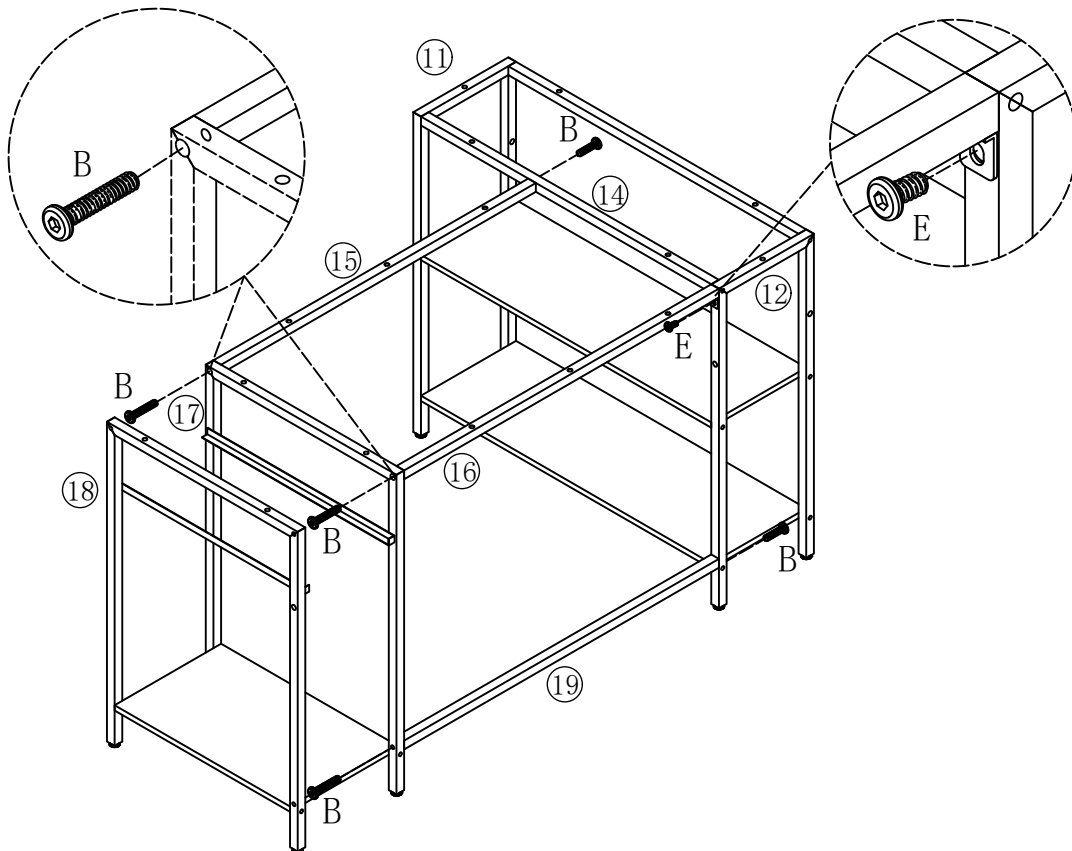
NOTE: The designated holes must face as illustrated in the diagram.

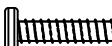


4



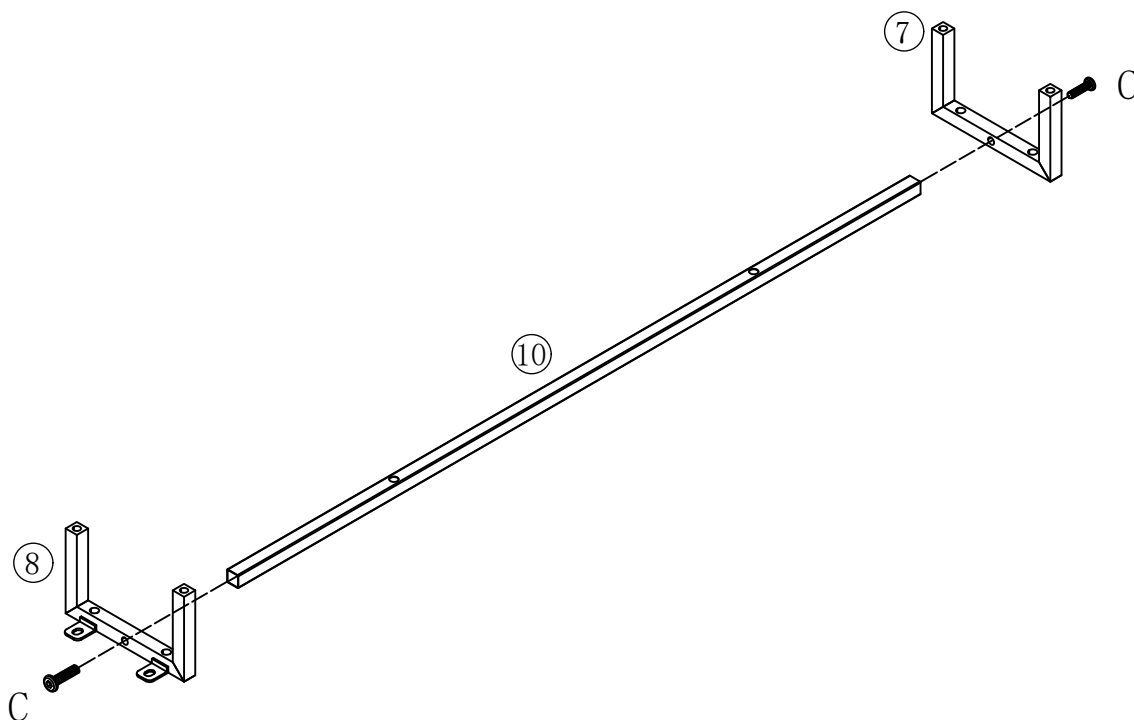
NOTE: The designated holes must face as illustrated in the diagram. And the notch of the Metal Frame 17, 18 must face in opposite, as illustrated in the diagram.



5



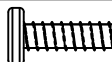

B		× 5
E		× 1
O		× 1

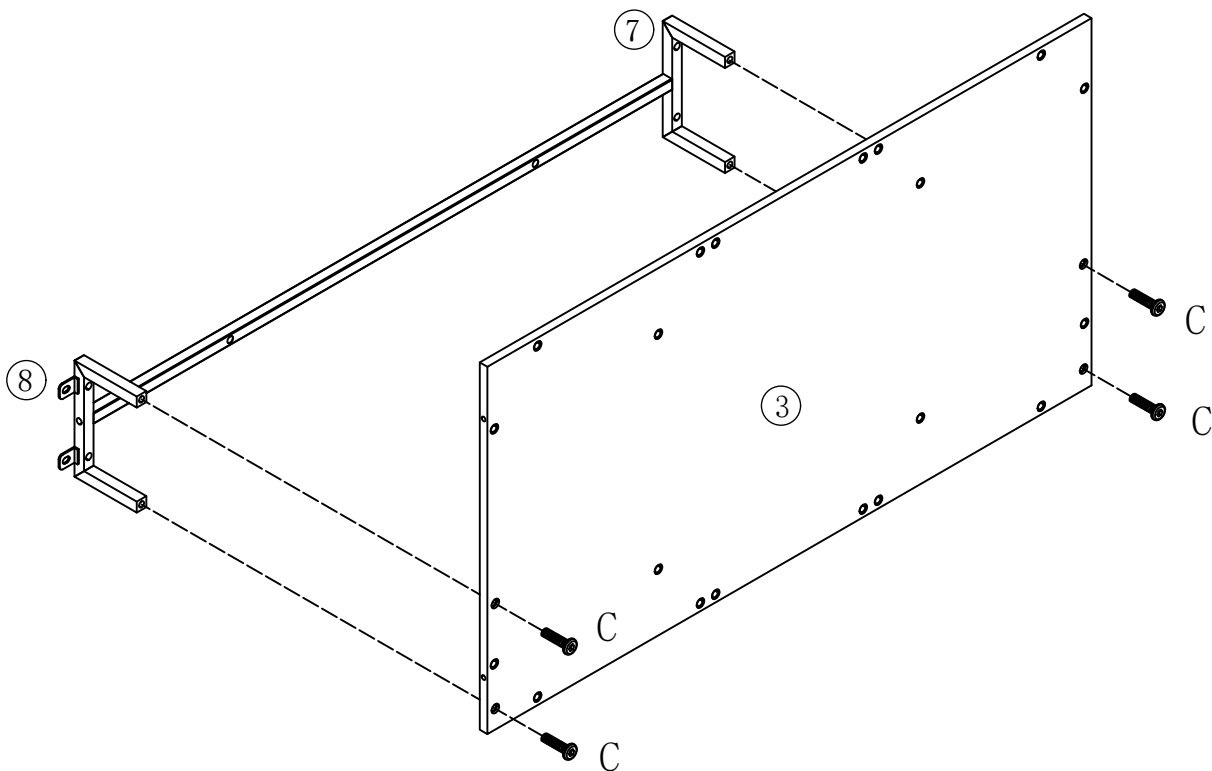
6



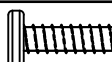

C		× 2
O		× 1

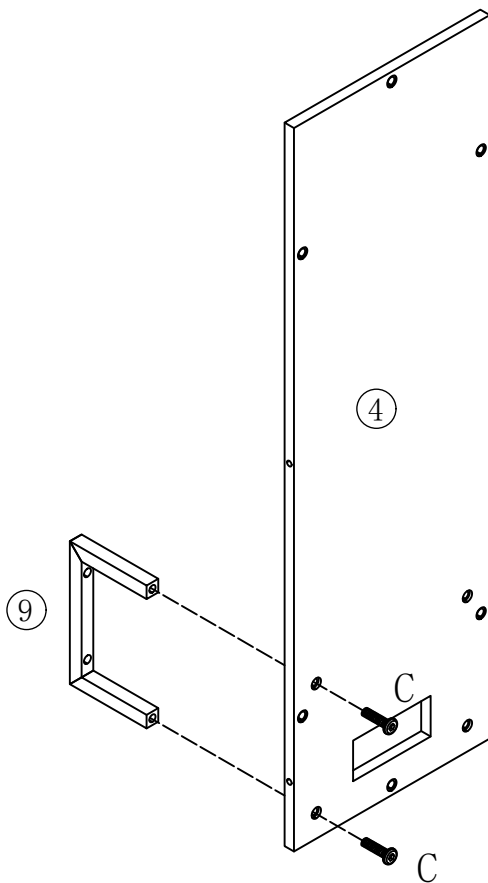
7

C		×4
O		×1

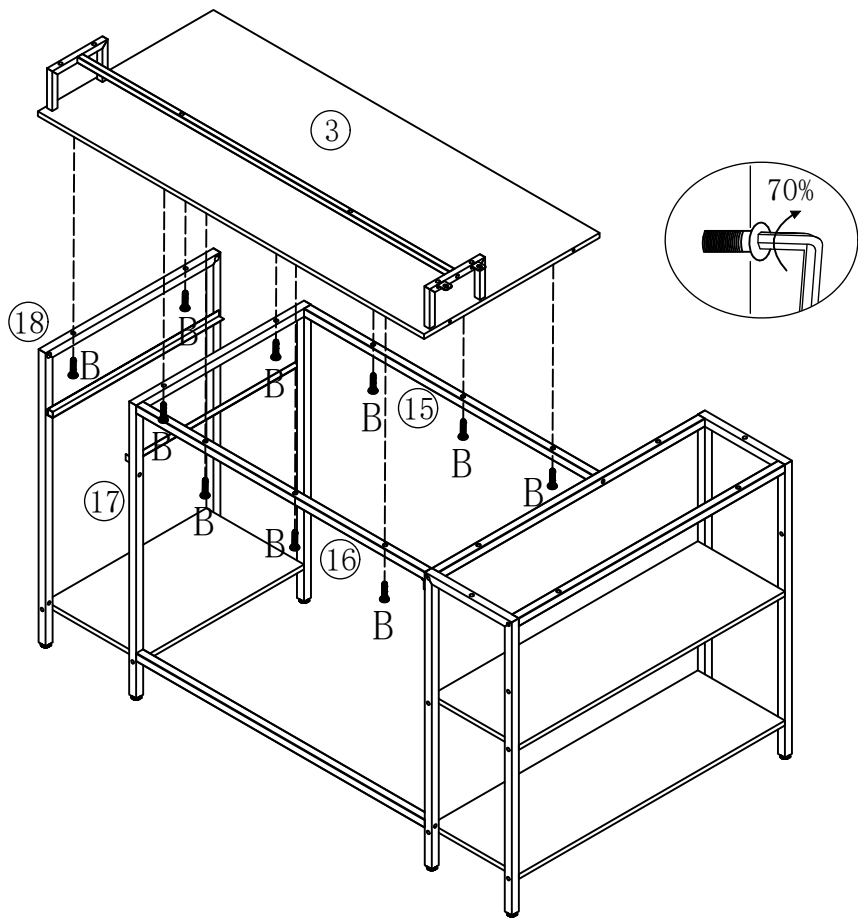


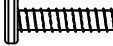

8

C		×2
O		×1

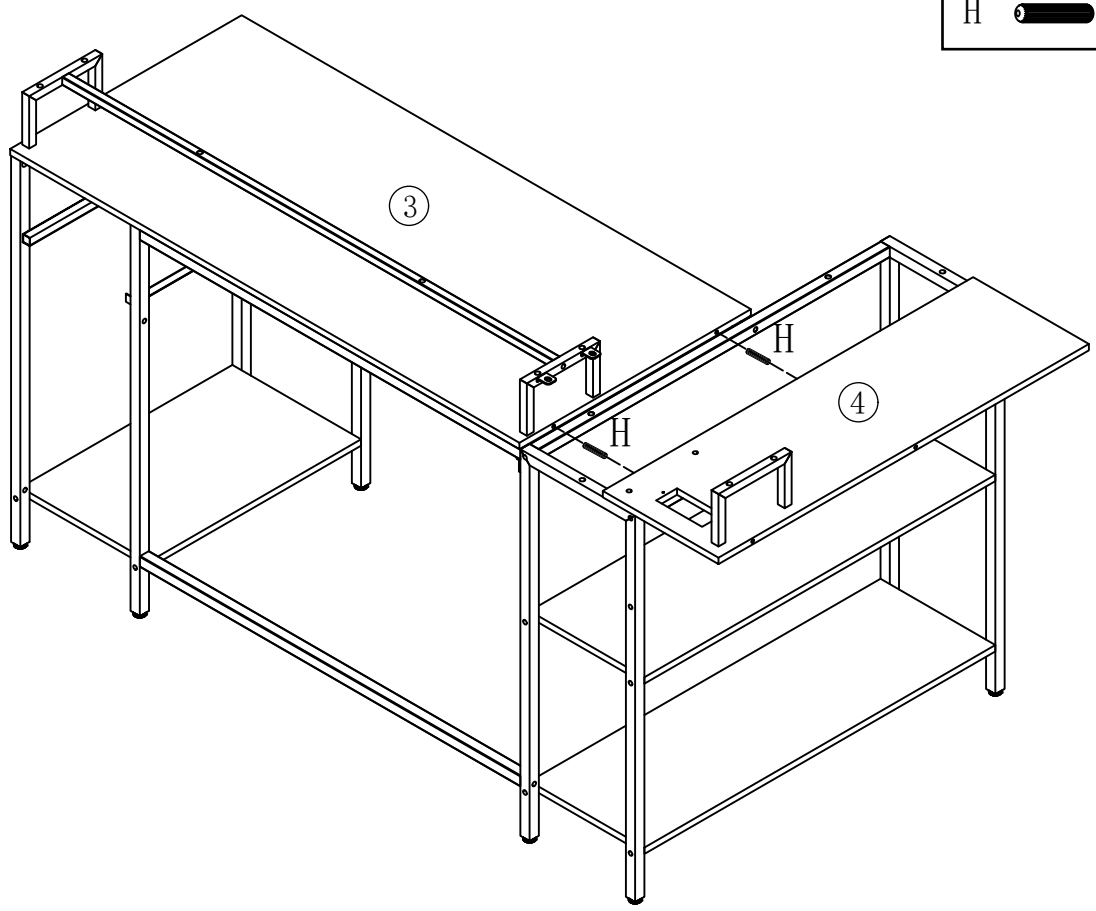



9



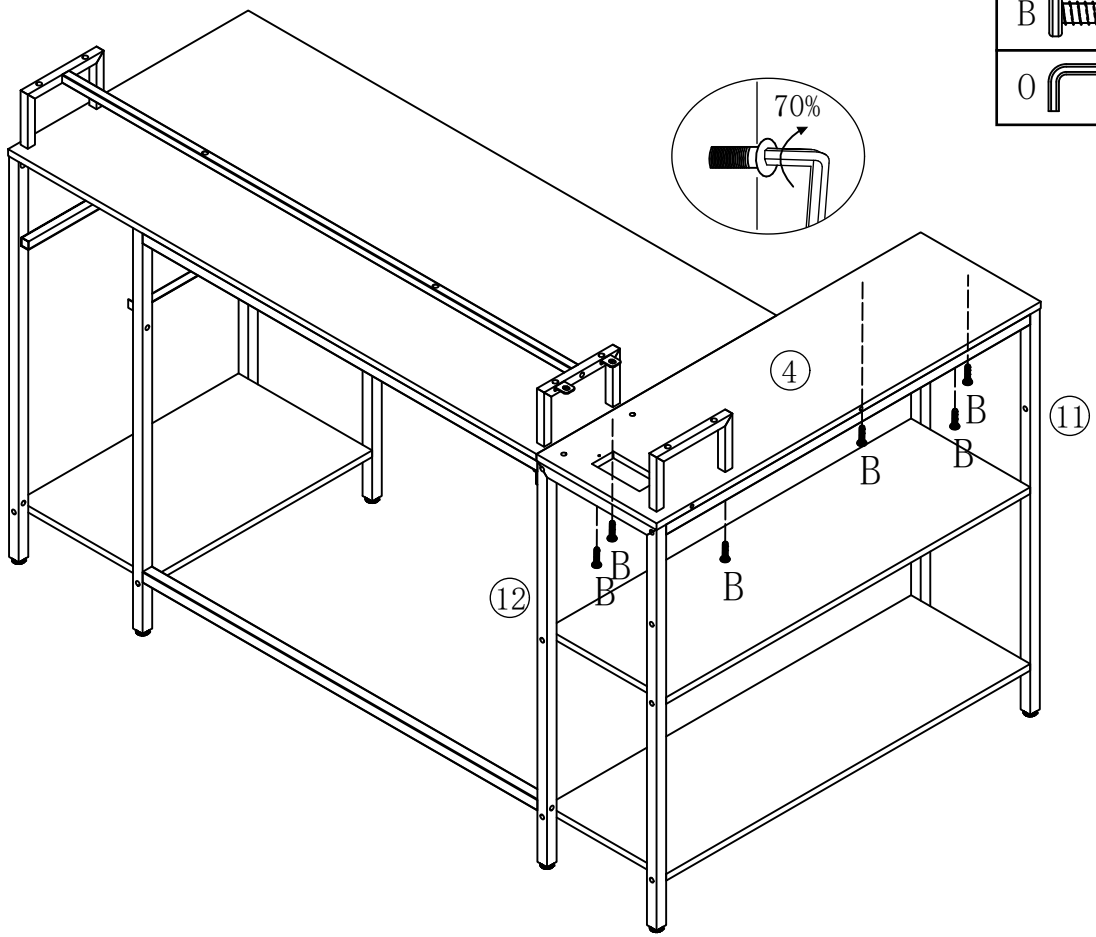
- B  × 10
- O  × 1

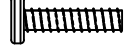

10



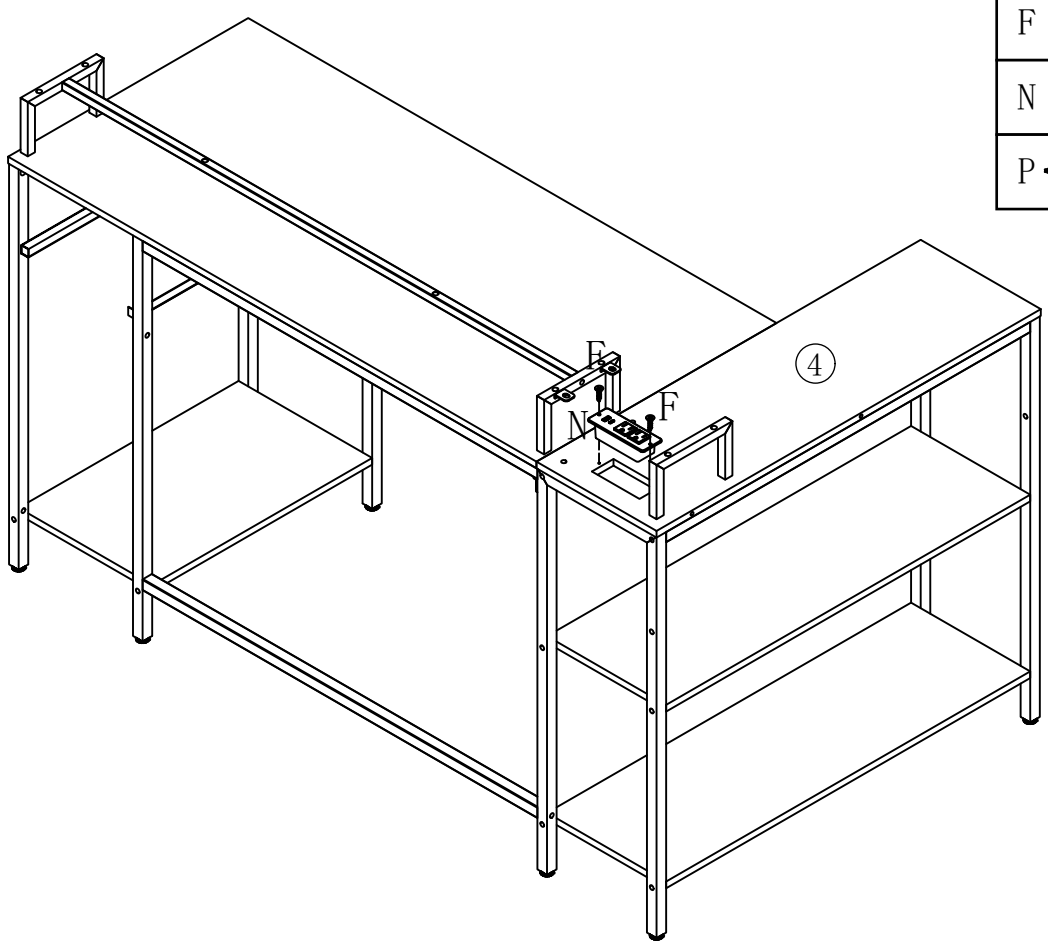
- H  × 2

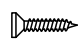

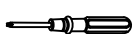
11




- B  × 6
- O  × 1

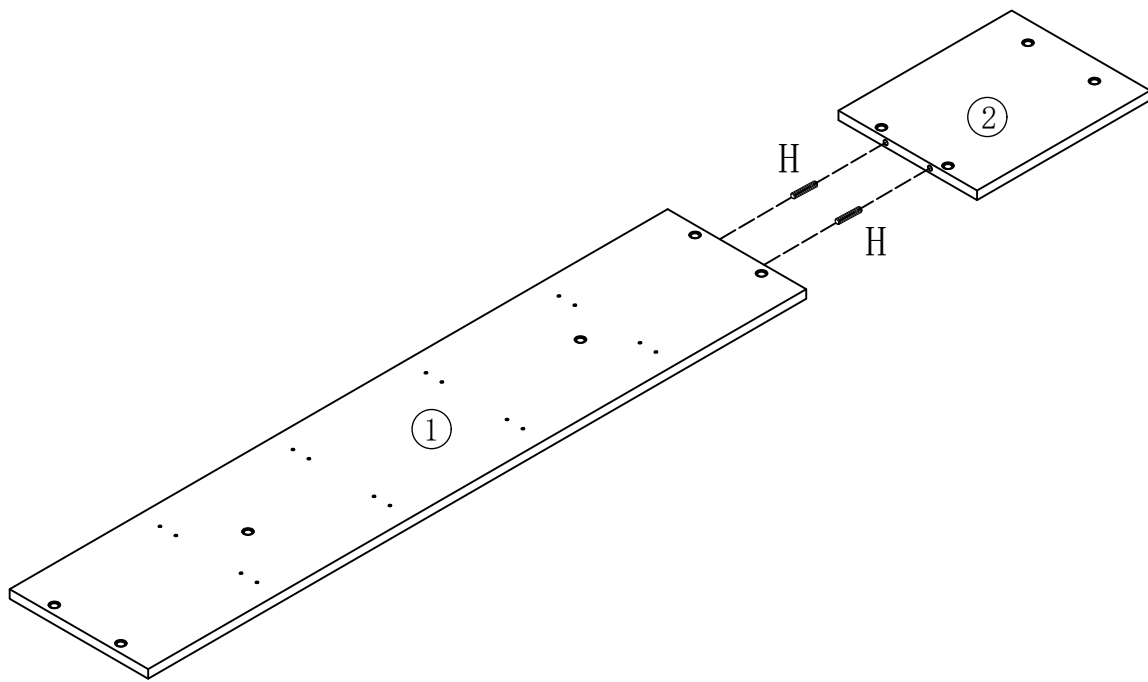
12






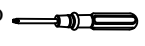
- F  × 2
- N  × 1
- P  × 1

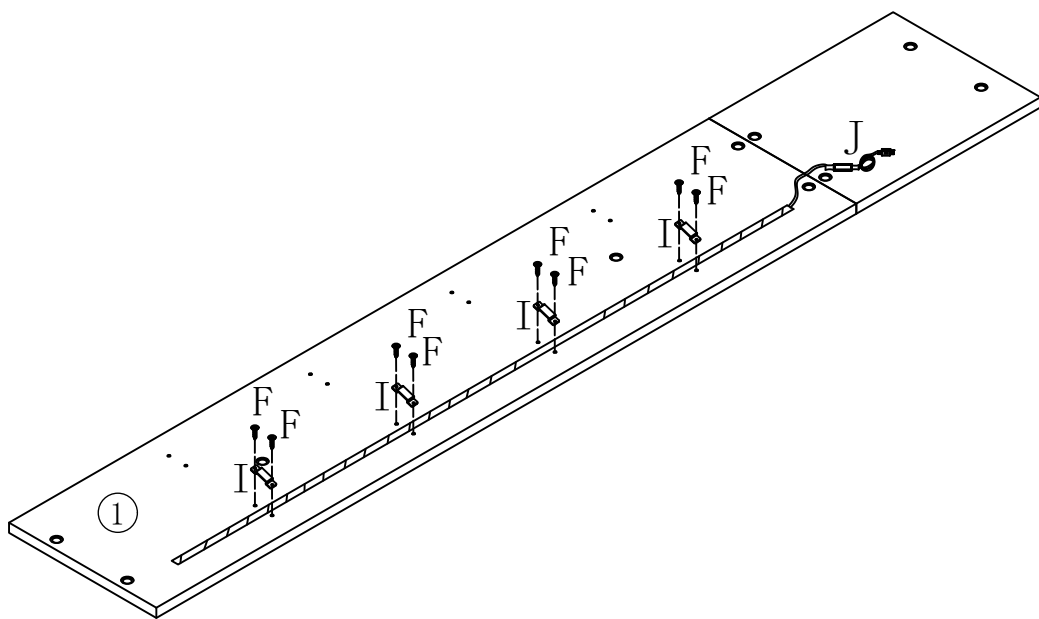
13

H  ×2

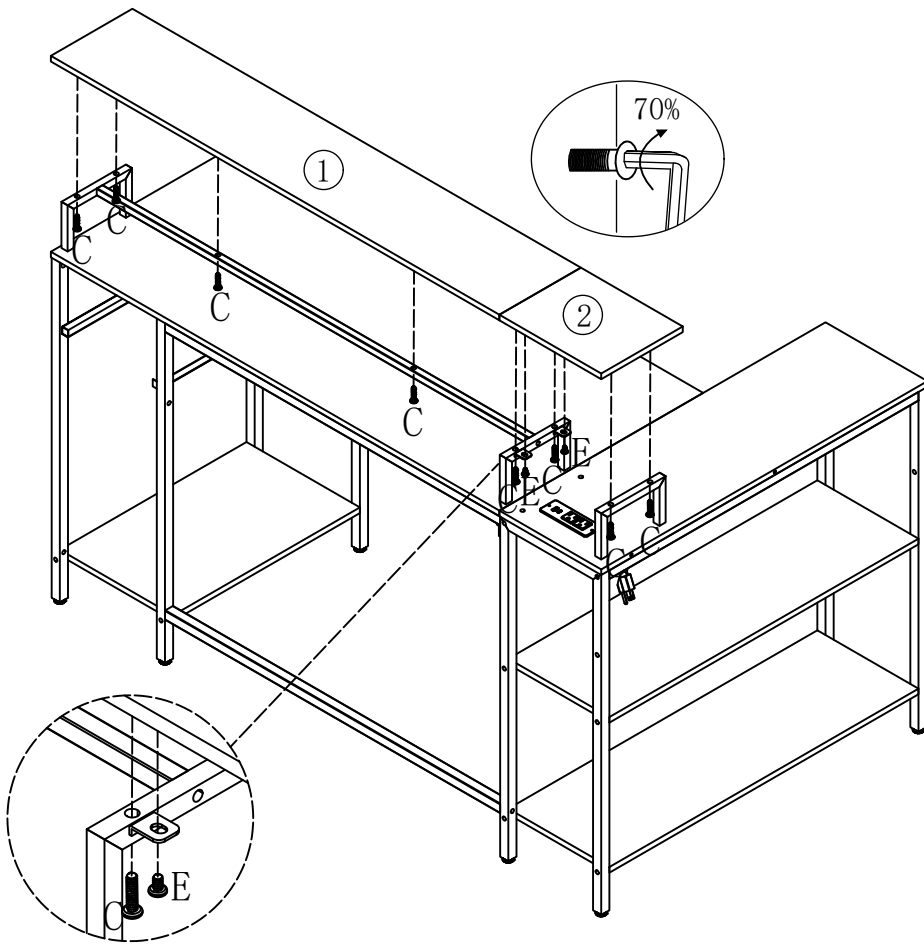


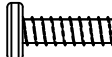
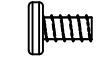

14

I		×4
F		×8
J		×1
P		×1

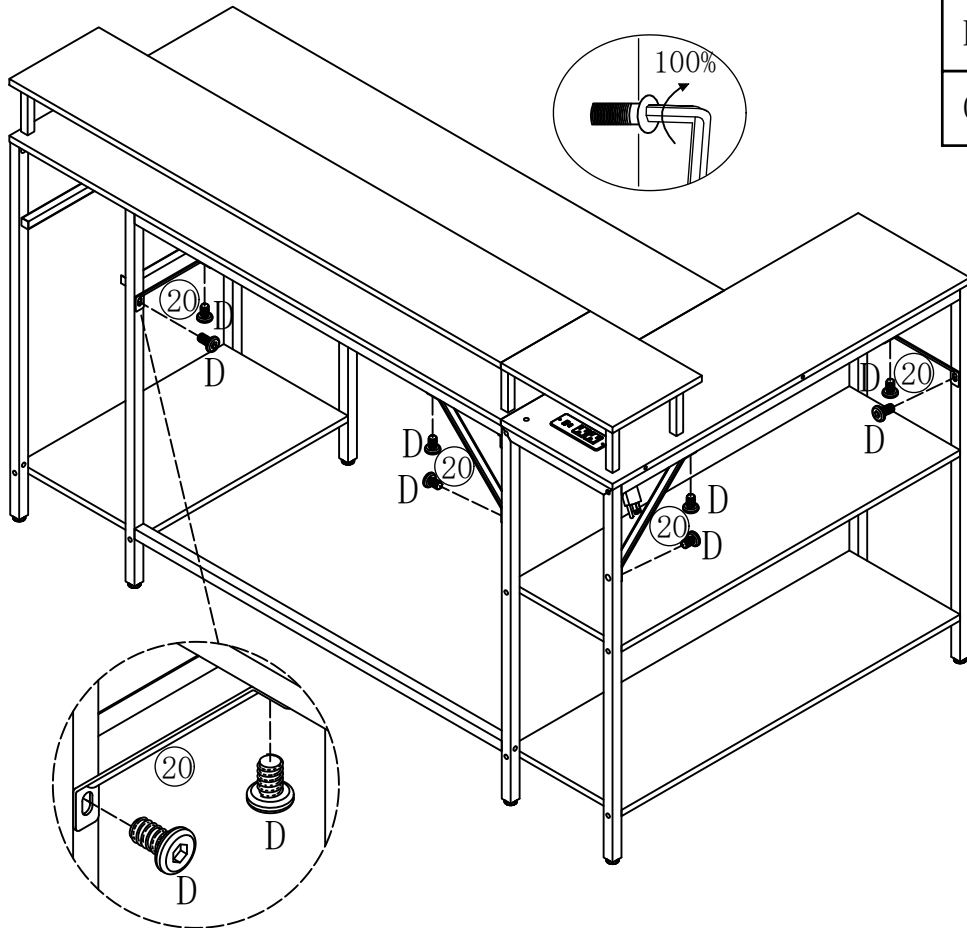




15



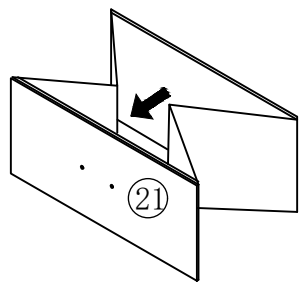
C		×8
E		×2
O		×1

16

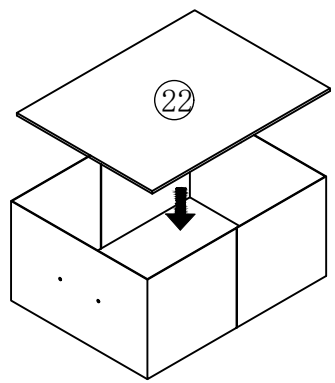


D		×8
O		×1

17



1

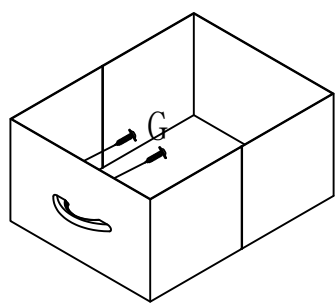
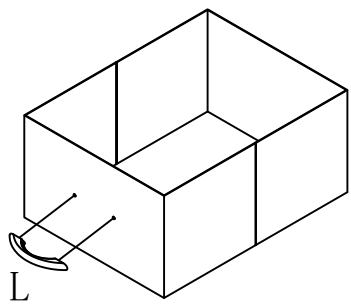


2

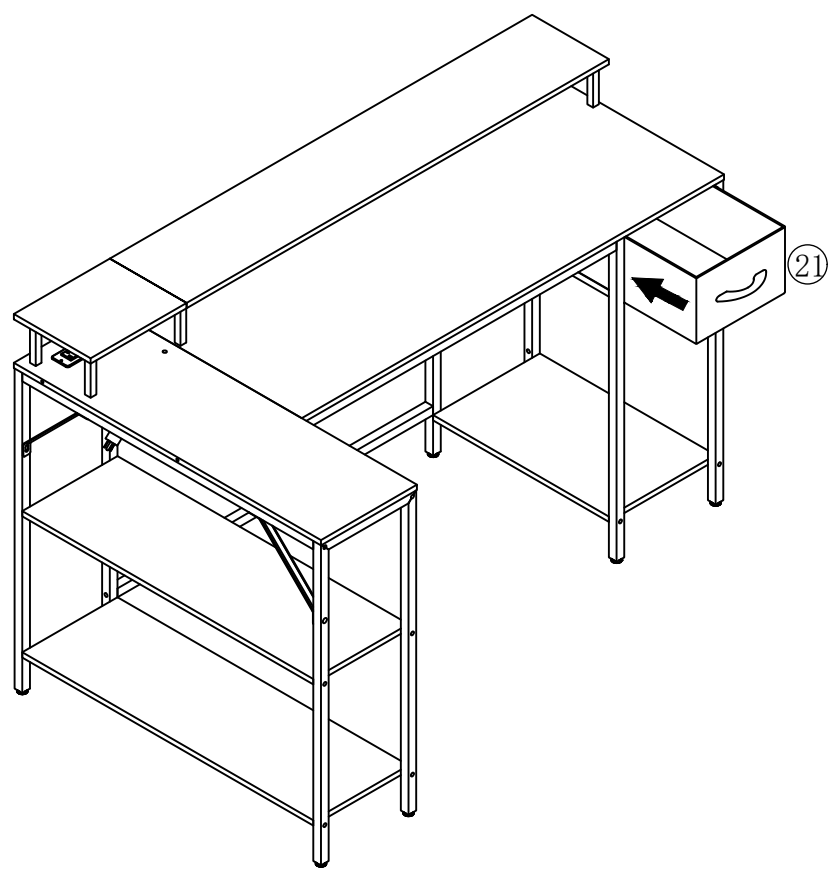
L		×1
G		×2
P		×1

3

4

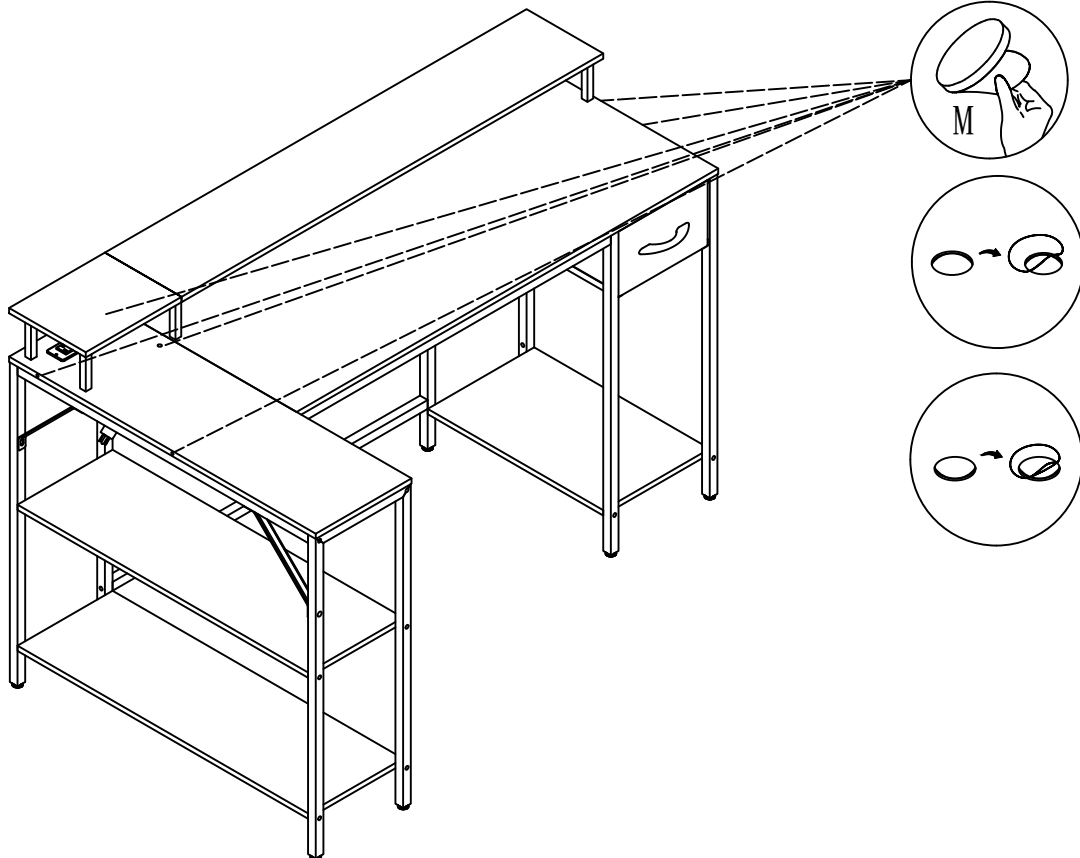


18

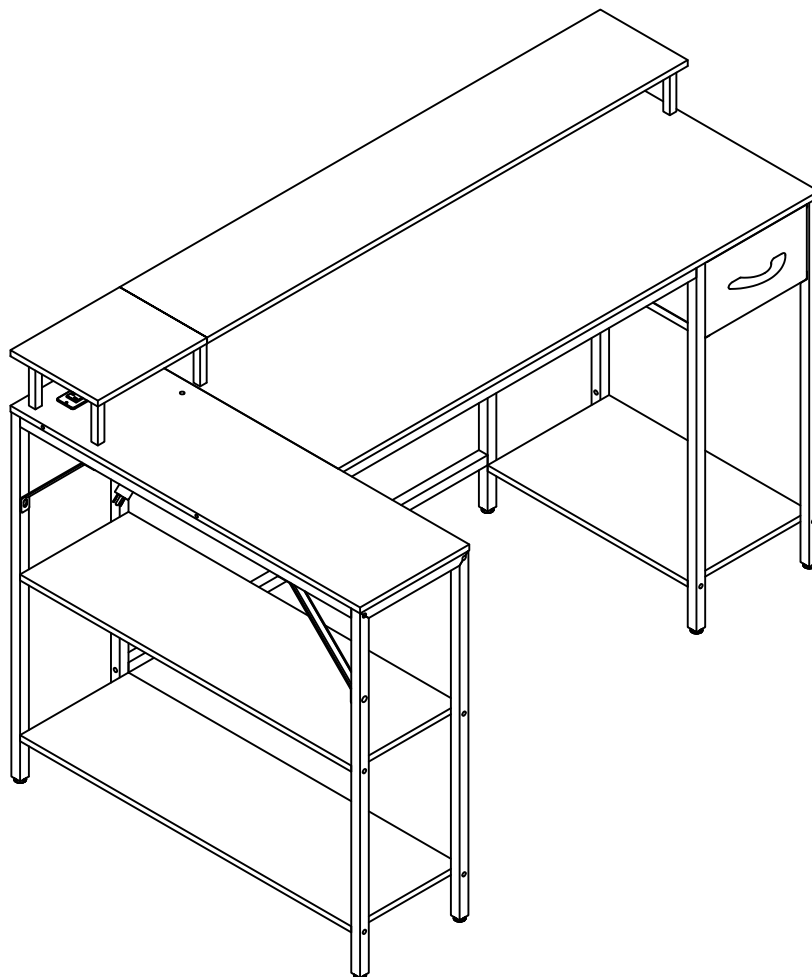


19


M ○ ×6

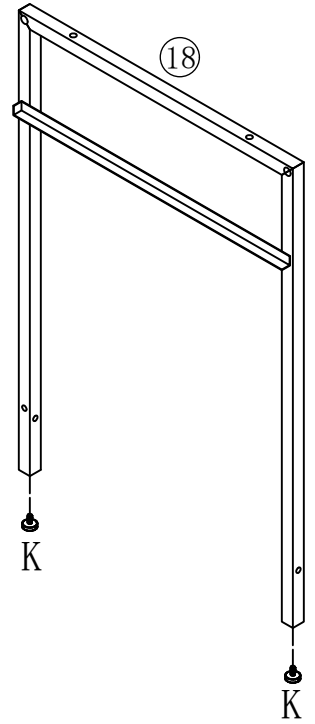
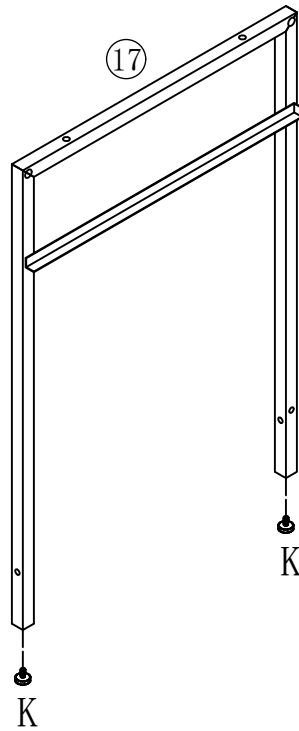
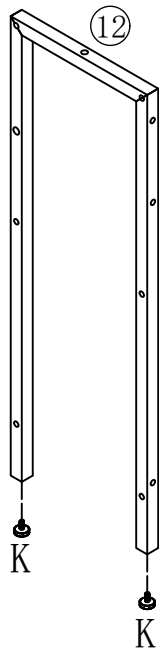
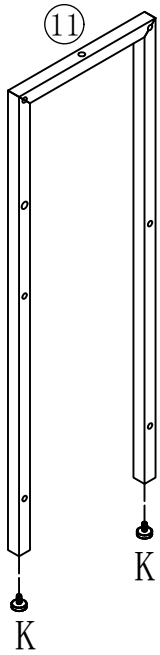


20

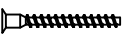



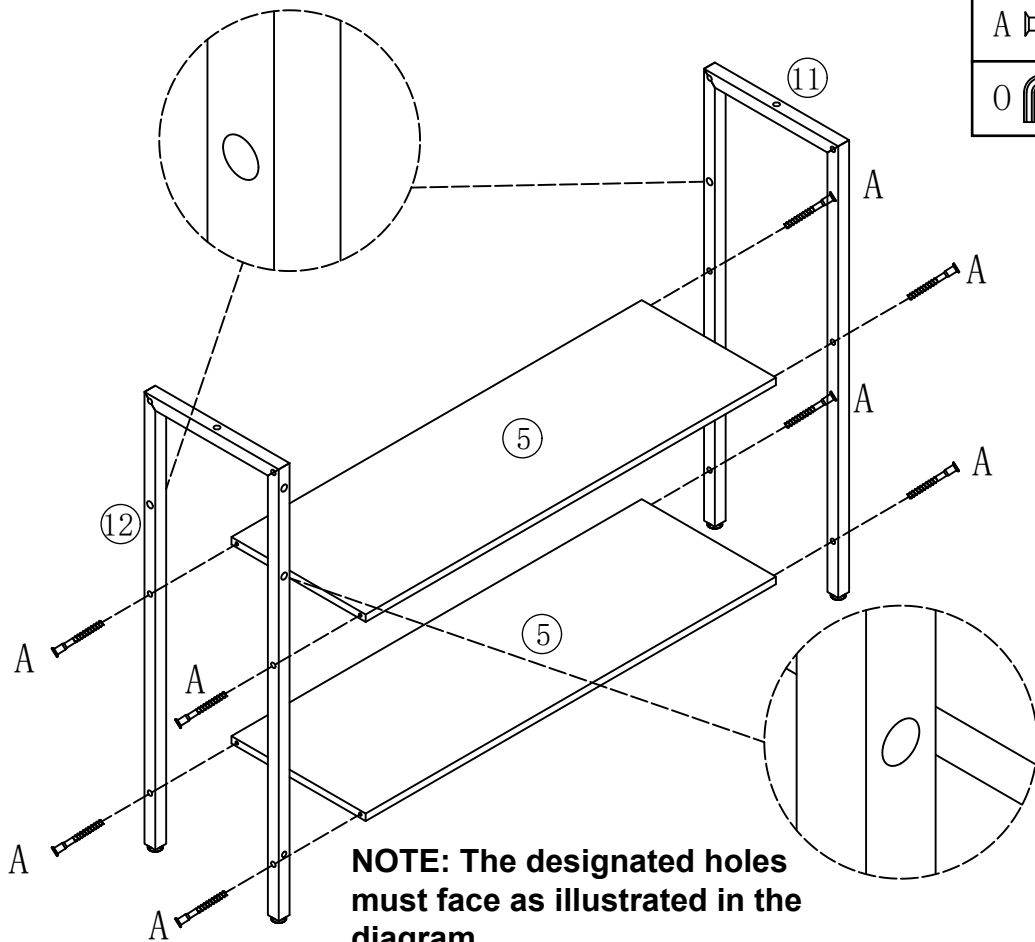
21 or

K  × 8



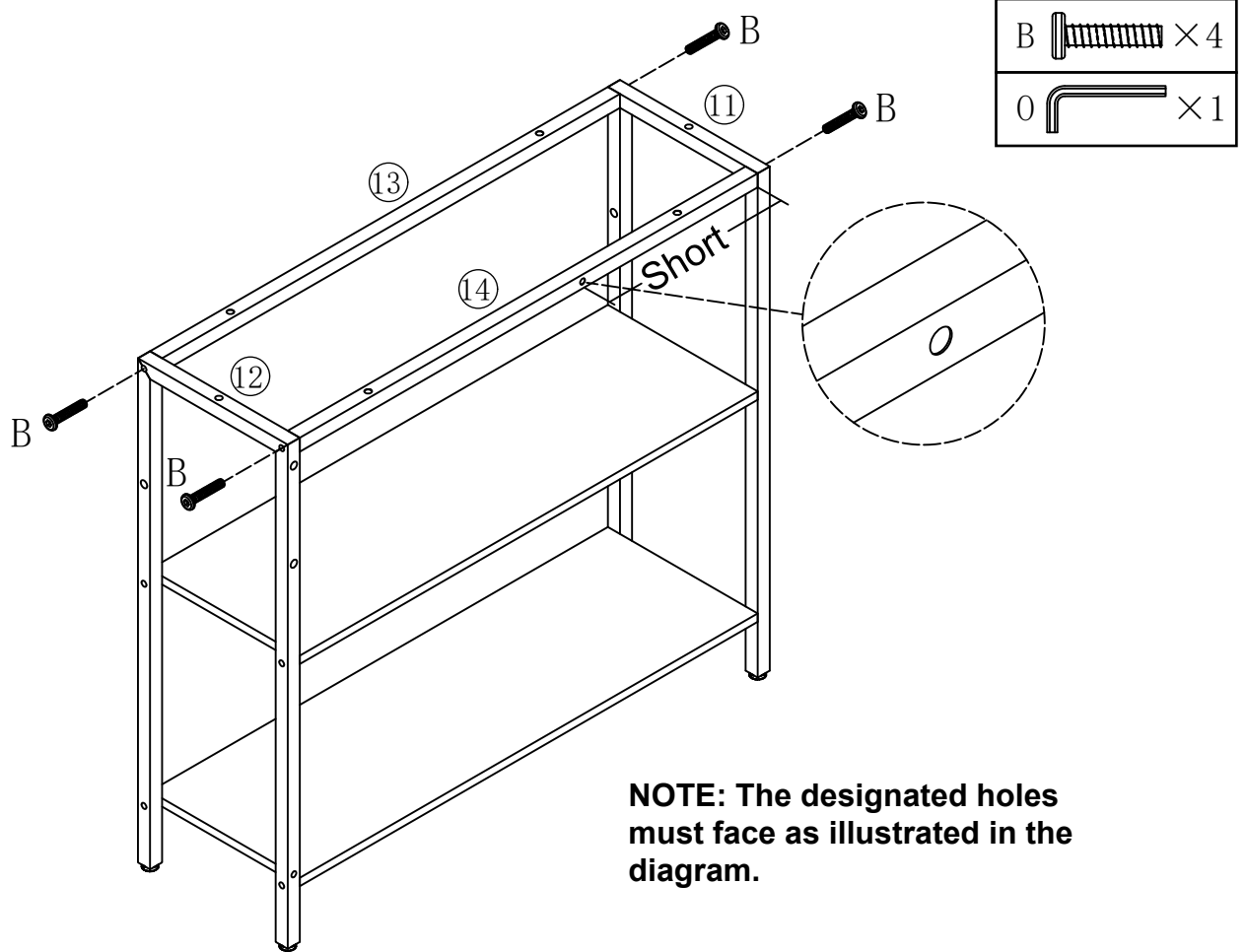
22

A  × 8
O  × 1



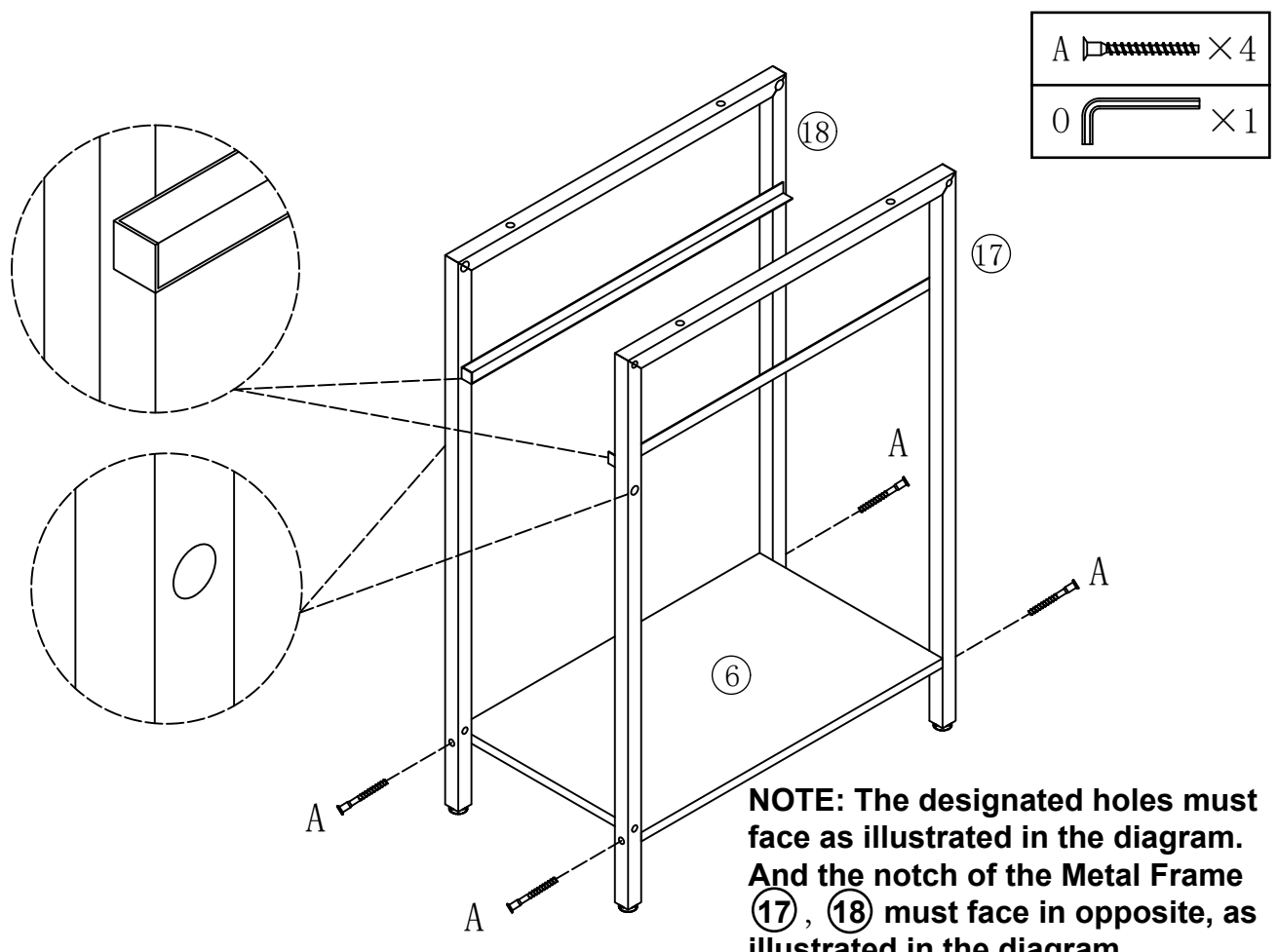
NOTE: The designated holes must face as illustrated in the diagram.

23



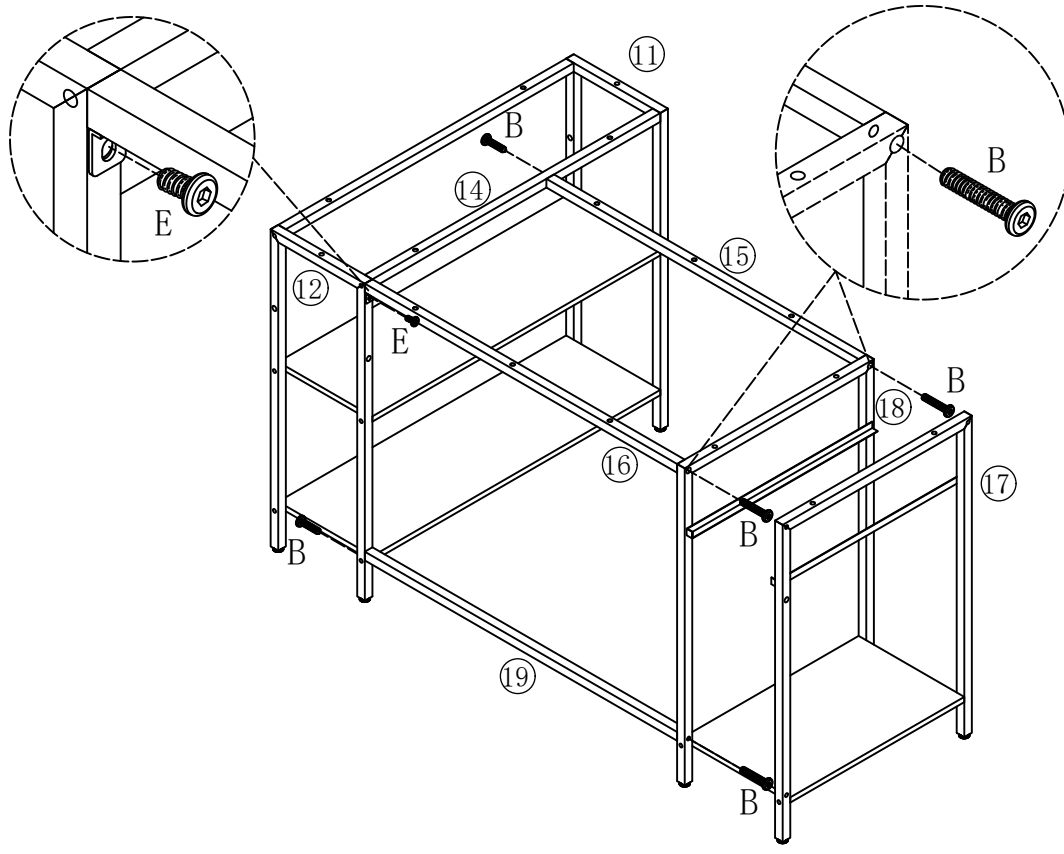
NOTE: The designated holes must face as illustrated in the diagram.




24



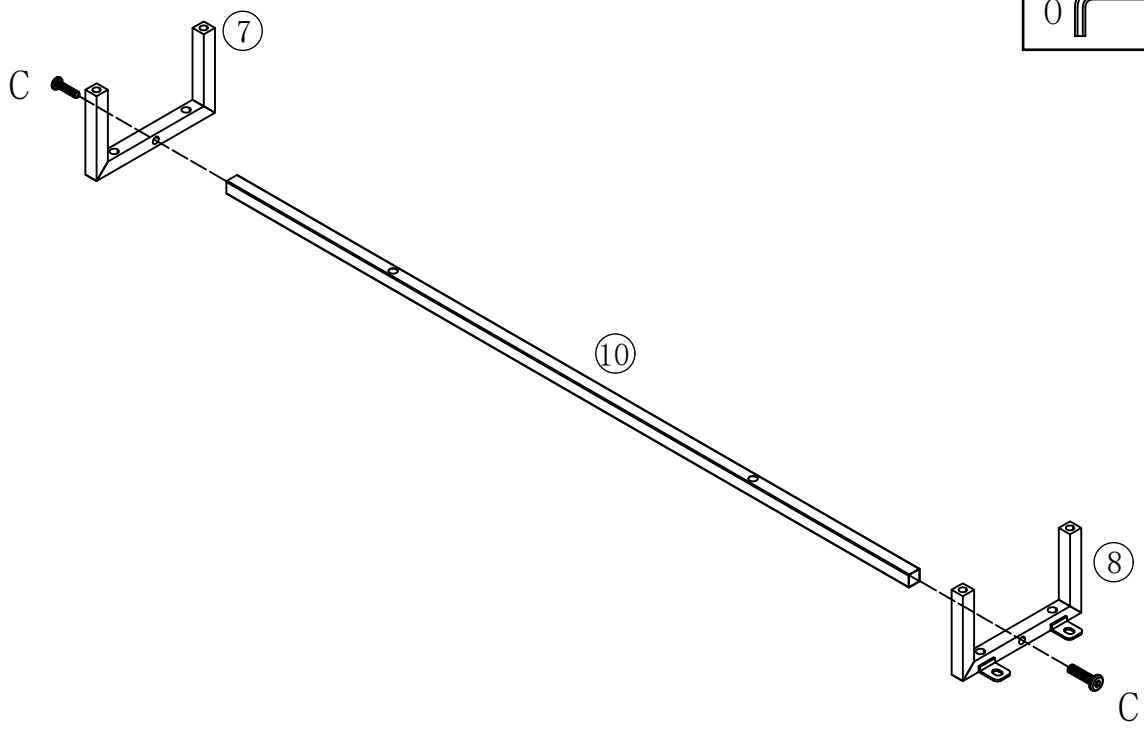
NOTE: The designated holes must face as illustrated in the diagram. And the notch of the Metal Frame 17, 18 must face in opposite, as illustrated in the diagram.

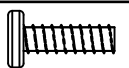

25



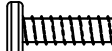

B		× 5
E		× 1
0		× 1

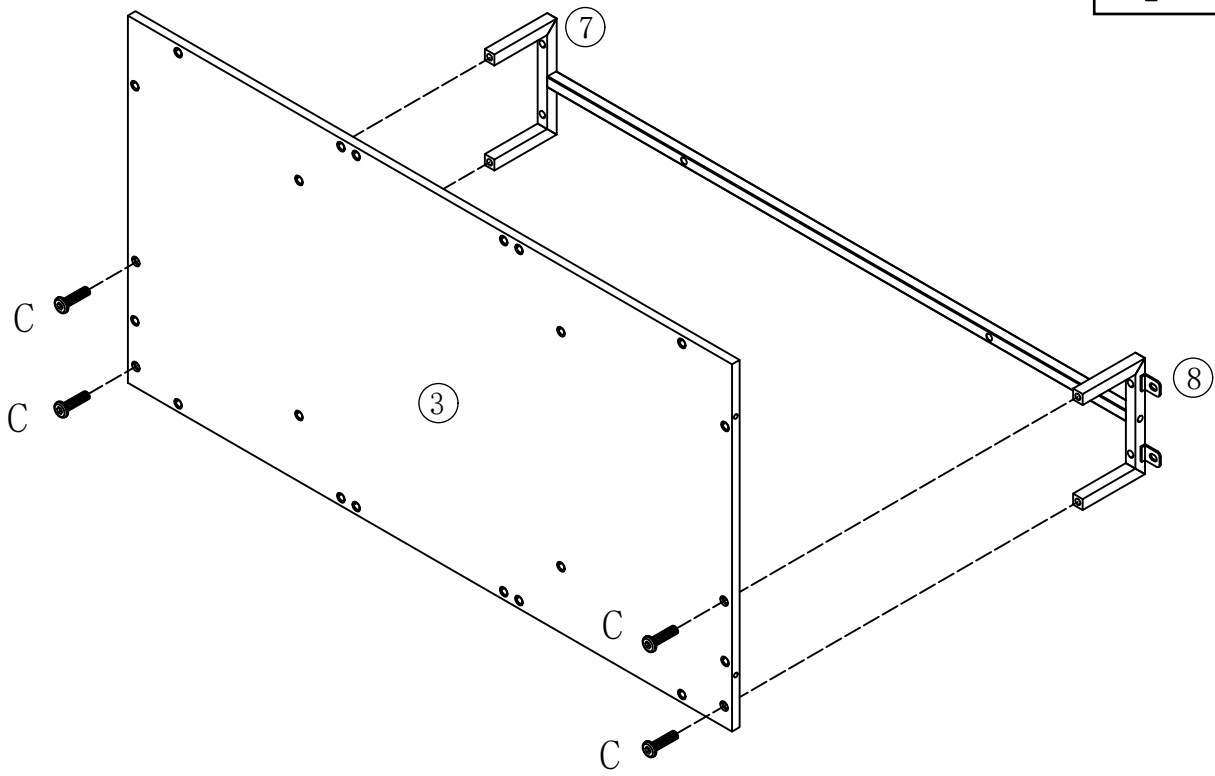
26



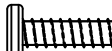

C		× 2
0		× 1

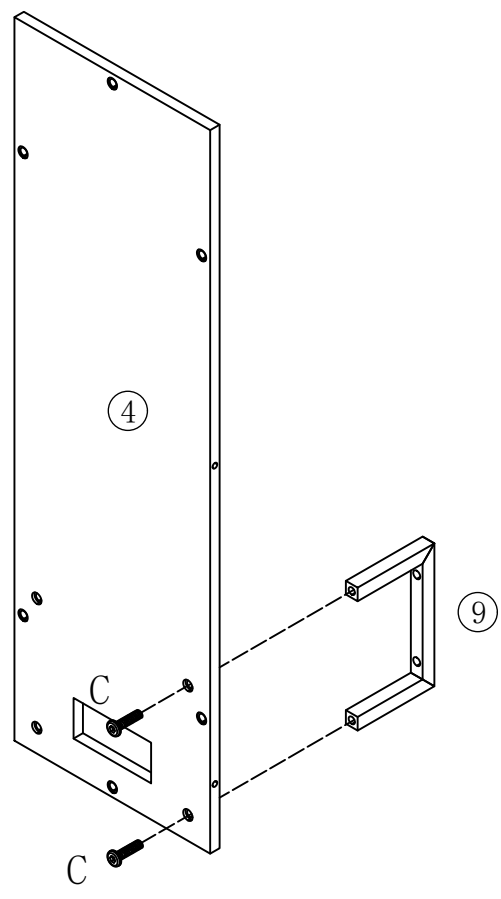
27

C		×4
O		×1

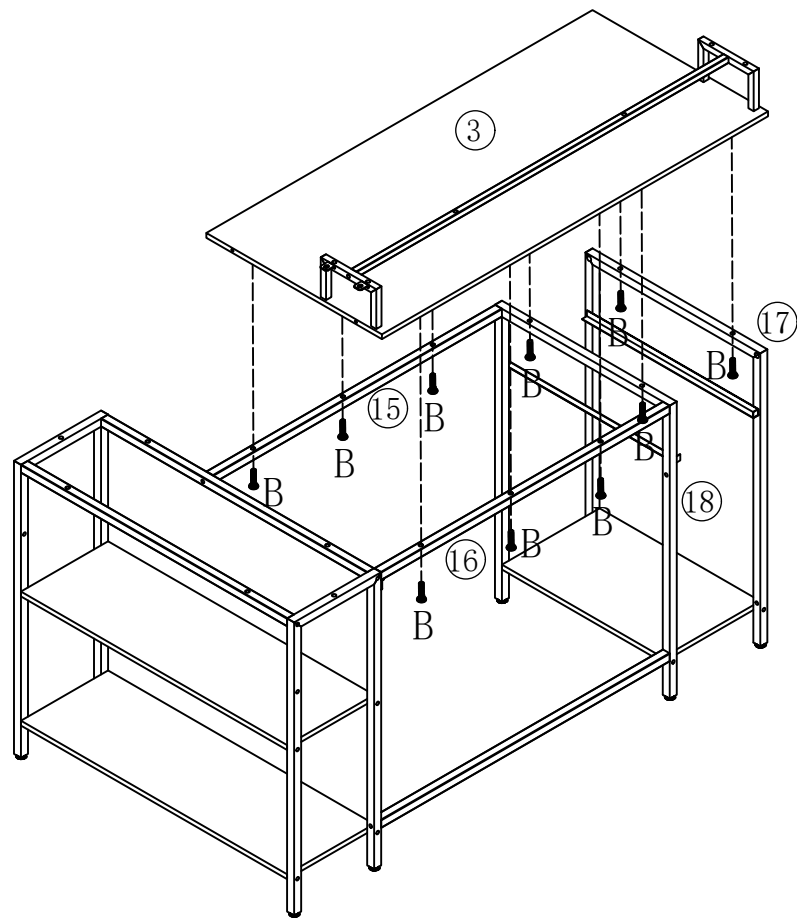




28

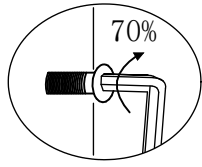
C		×2
O		×1



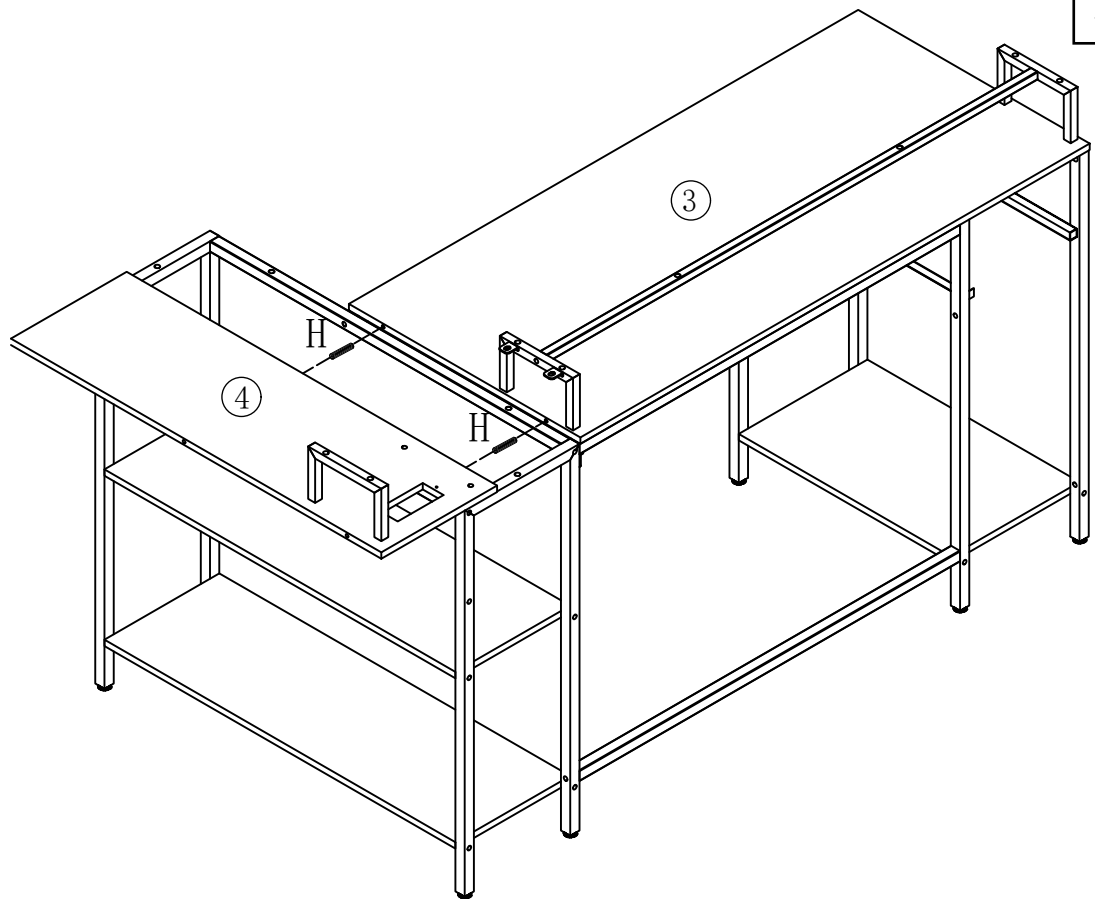
29




- B  × 10
- 0  × 1

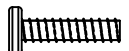



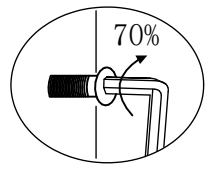
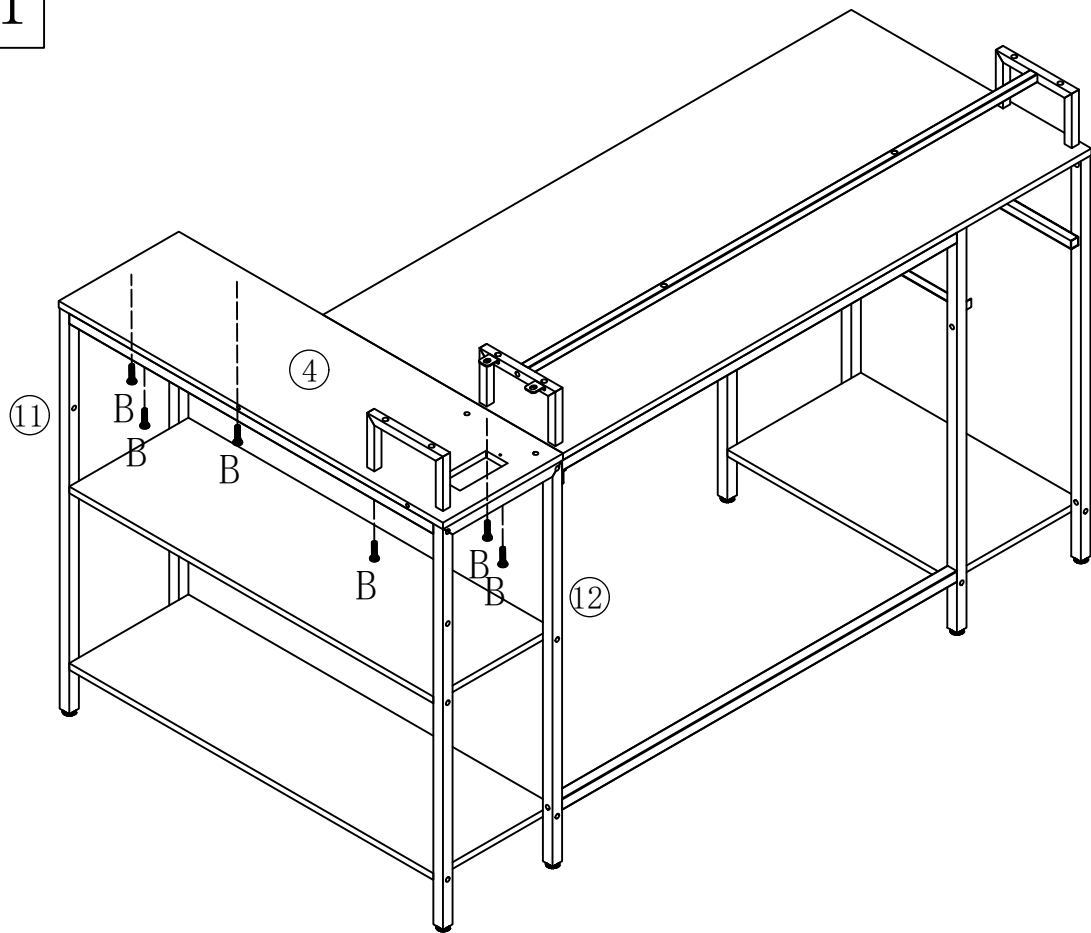
30





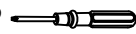
- H  × 2

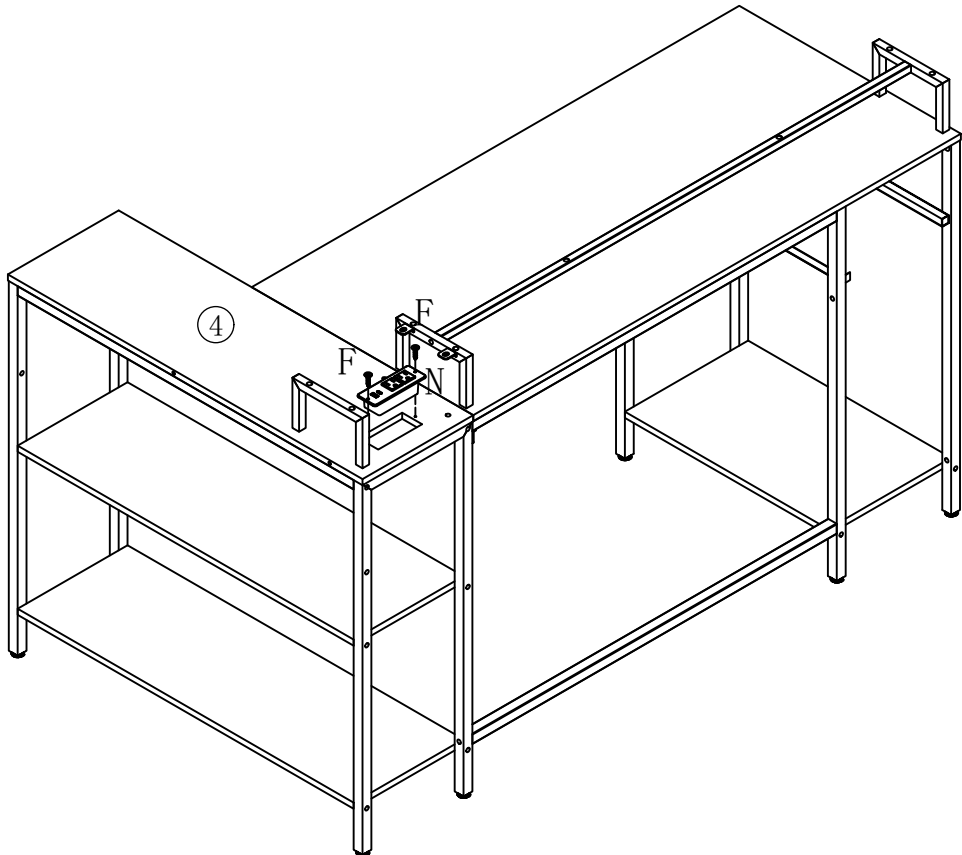
31

- B  × 6
- O  × 1



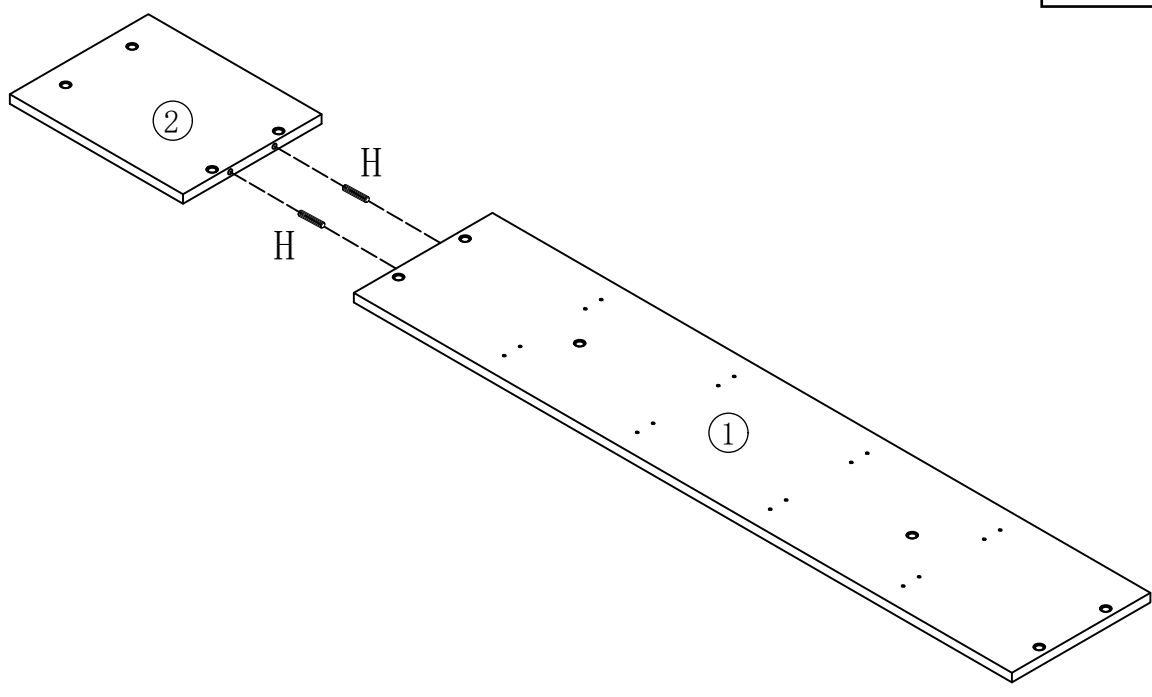
32

- F  × 2
- N  × 1
- P  × 1







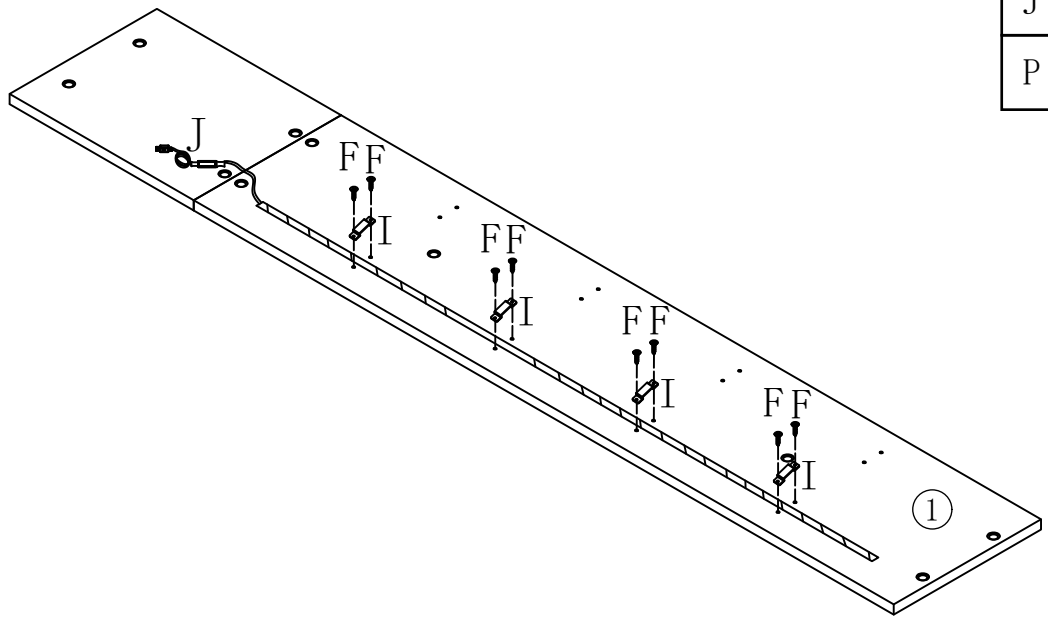
33

H  × 2

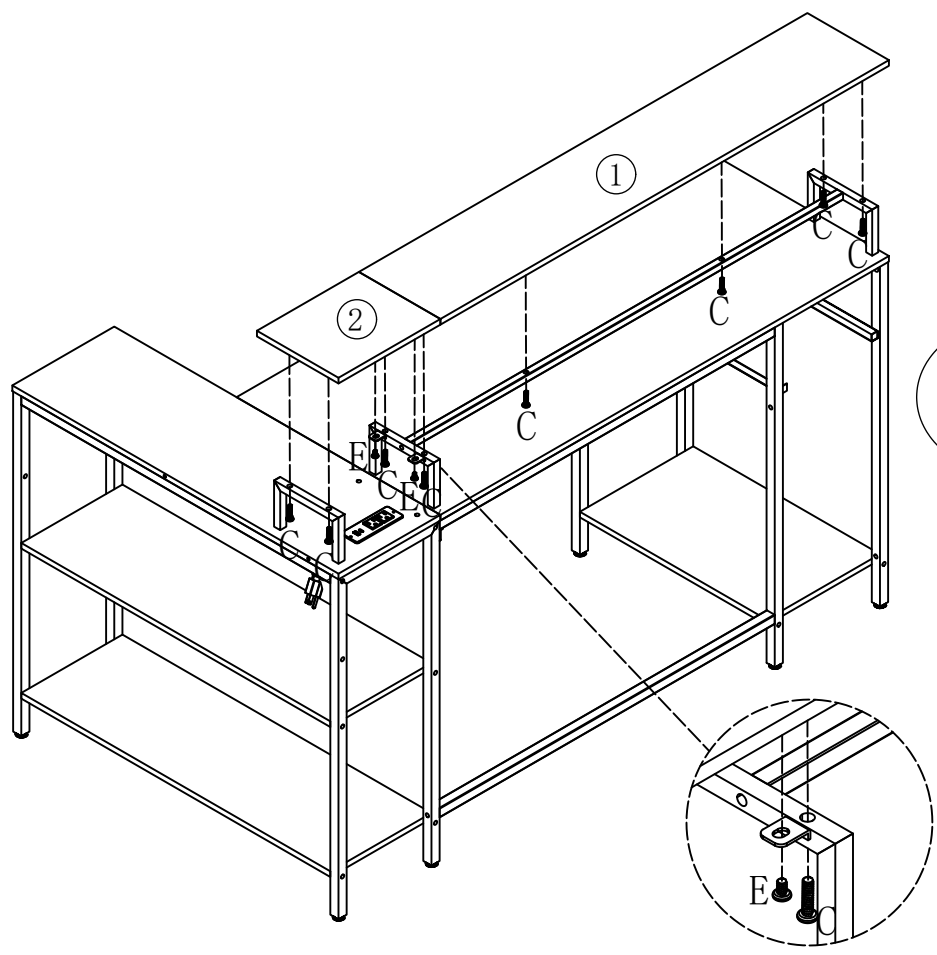



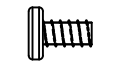

34

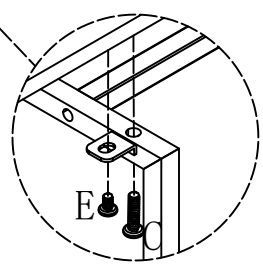
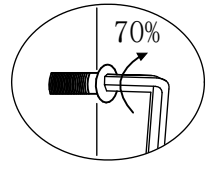
I		× 4
F		× 8
J		× 1
P		× 1



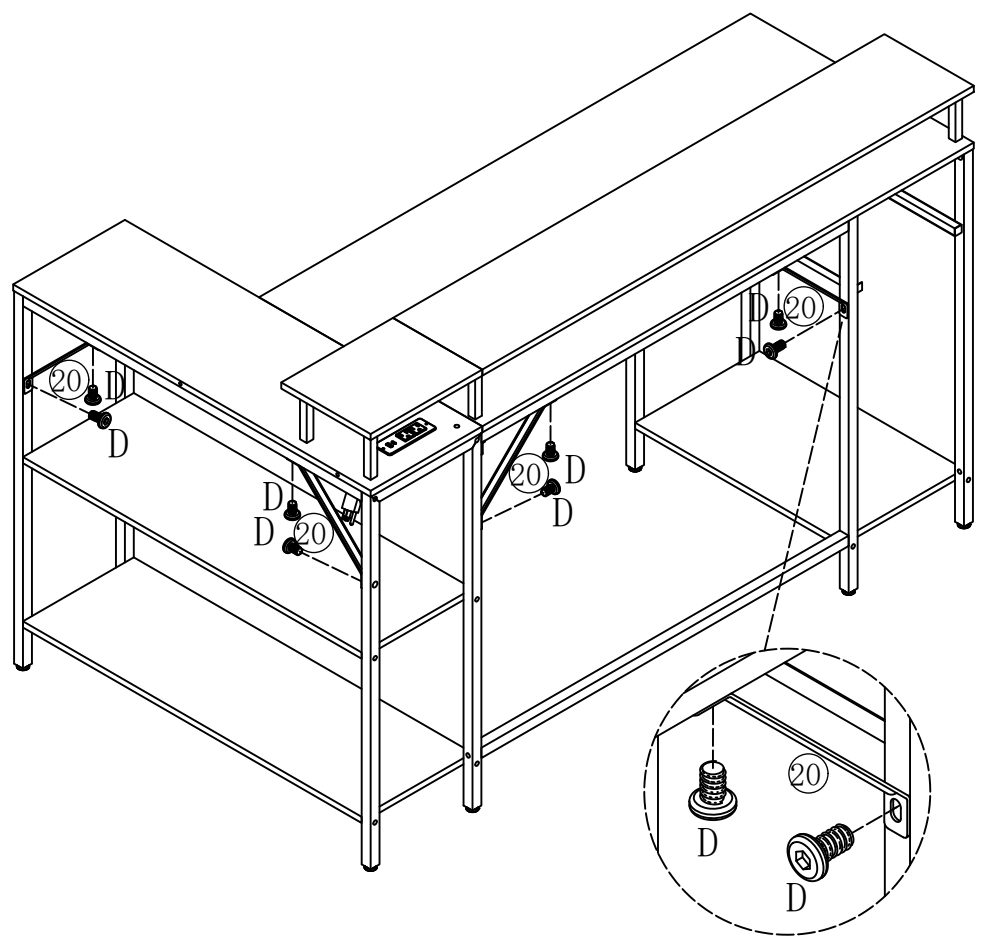
35

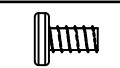



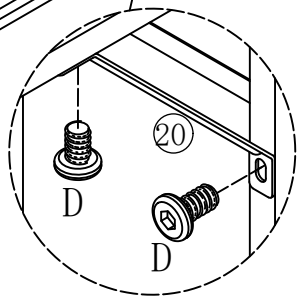
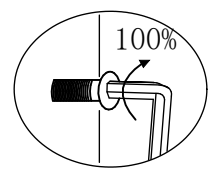
- C  × 8
- E  × 2
- 0  × 1



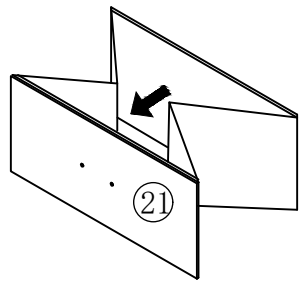
36



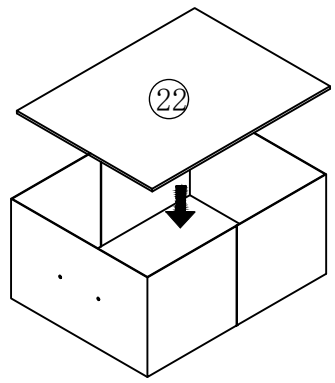
- D  × 8
- 0  × 1



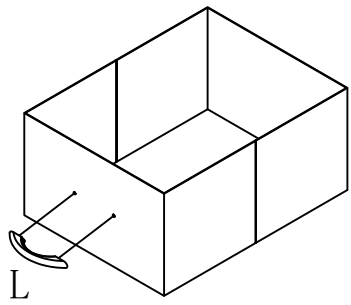
37



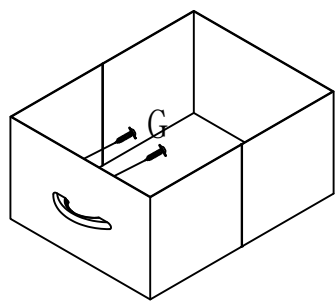
1





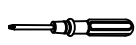
2



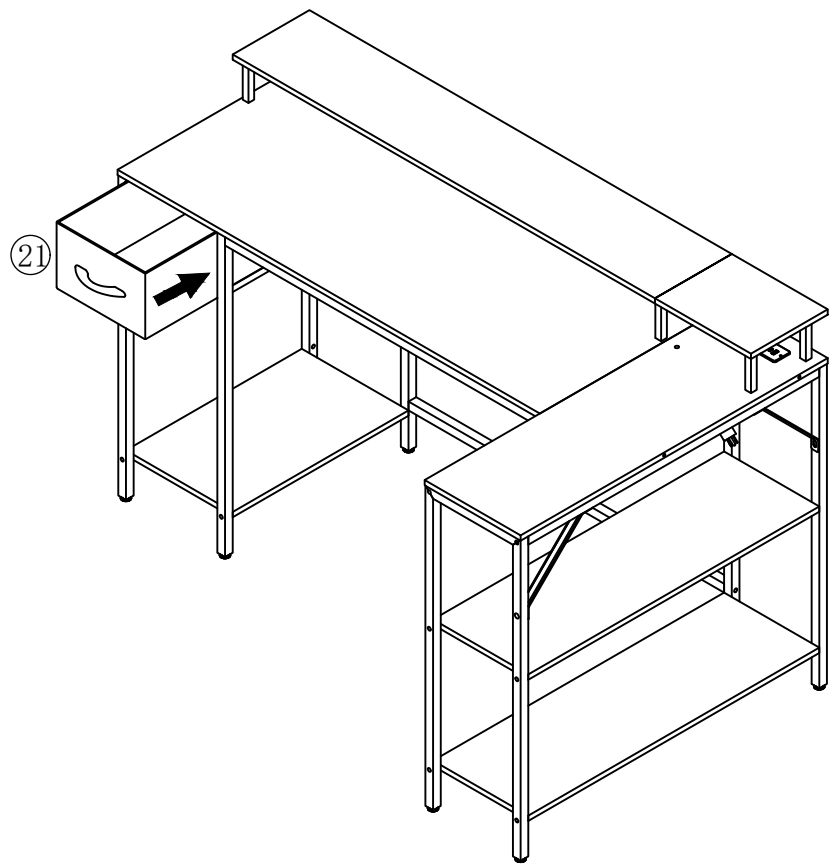
3



4

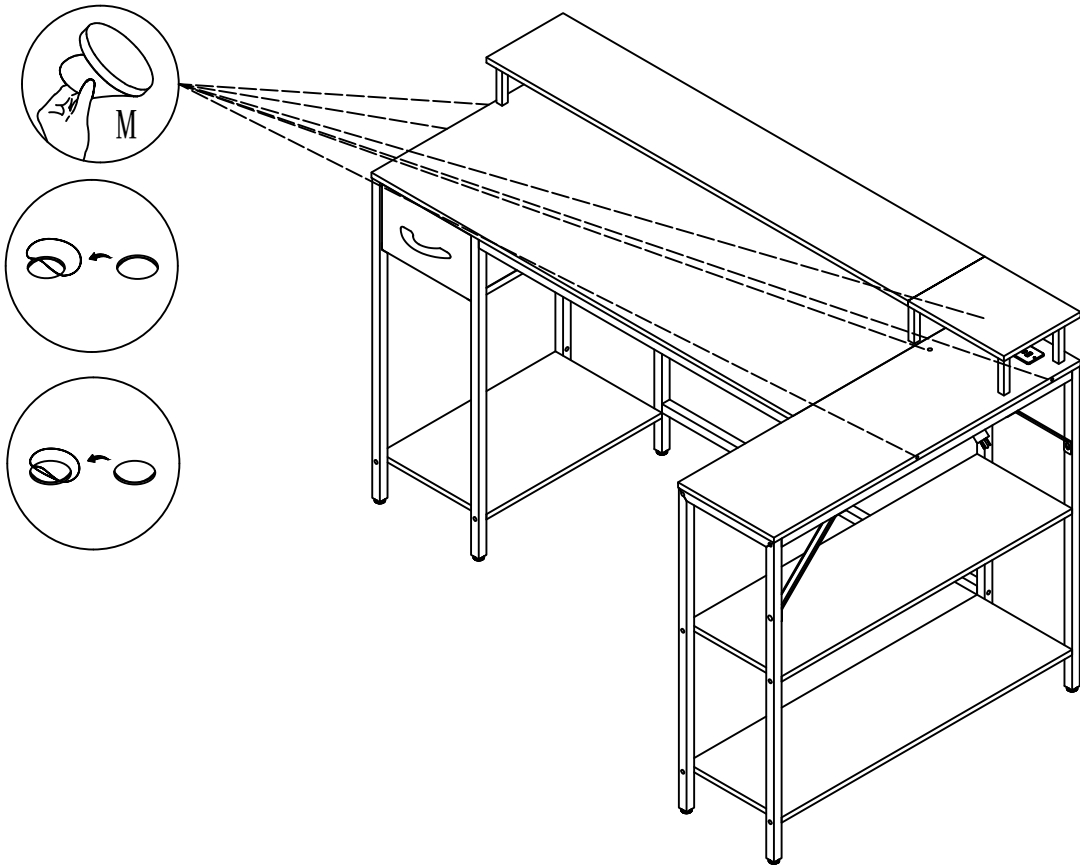
L		×1
G		×2
P		×1

38

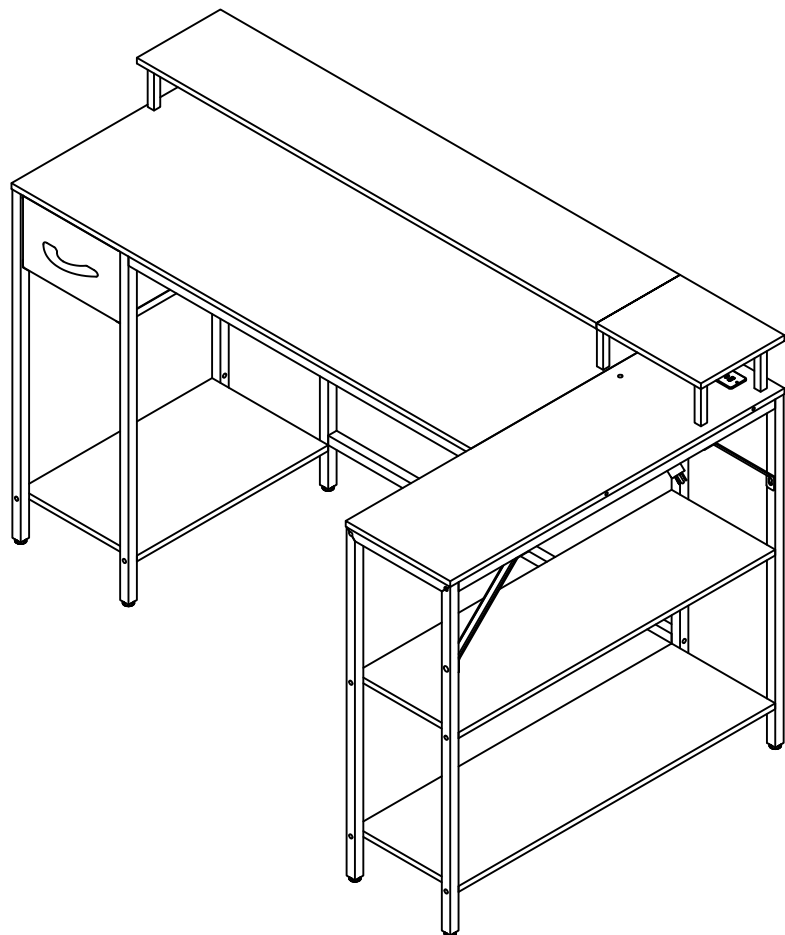


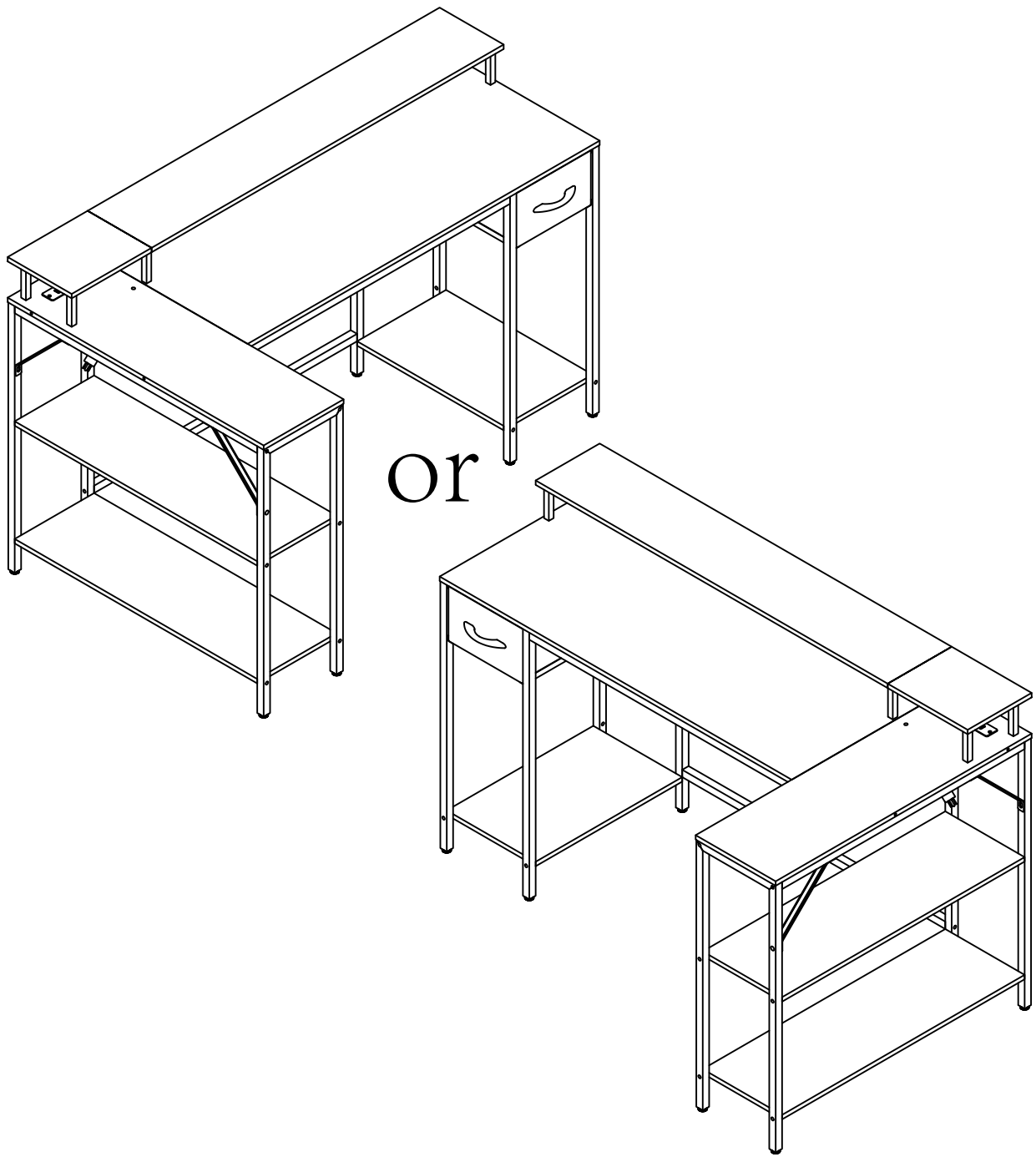
39

M ○ ×6



40





Technical Support

(909)637-7665 | (909)637-7593

Other Info

HJ-Customer-Service@outlook.com

Thank you for choosing this product. We strive to provide you with the best quality products and service in the industry. Should you have any issues, please don't hesitate to contact us.