

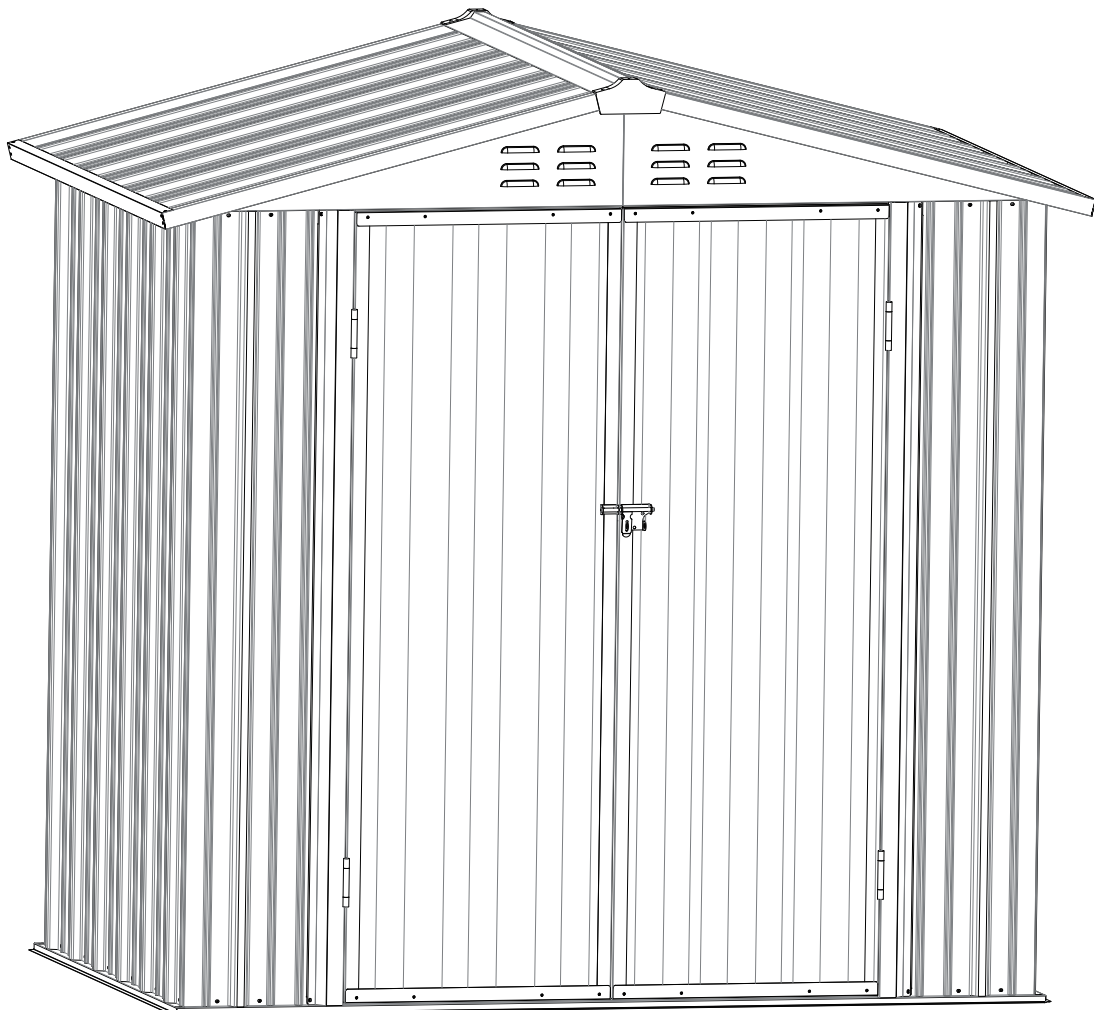
RWG2146P-NHF

4'x6' Outdoor Storage Shed Instruction

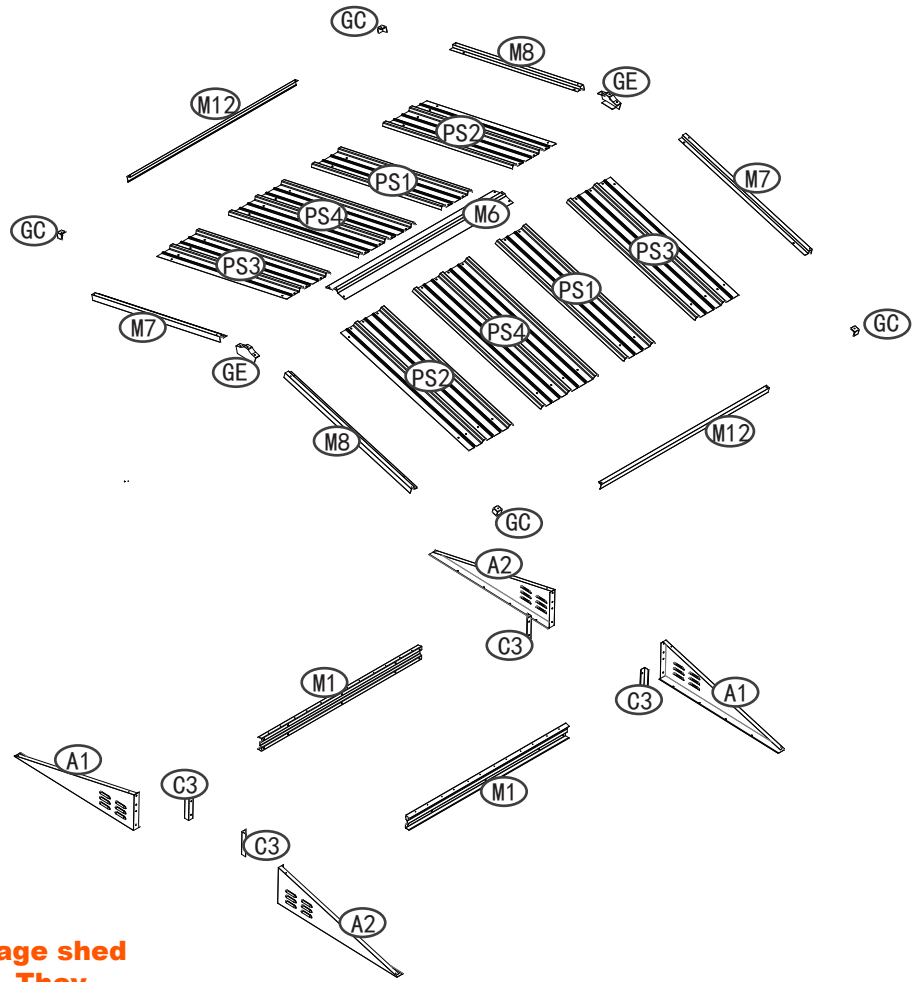
Missing Parts, Questions on Assembly?

E-Mail: Patiofurniture Serviceteam@outlook.com

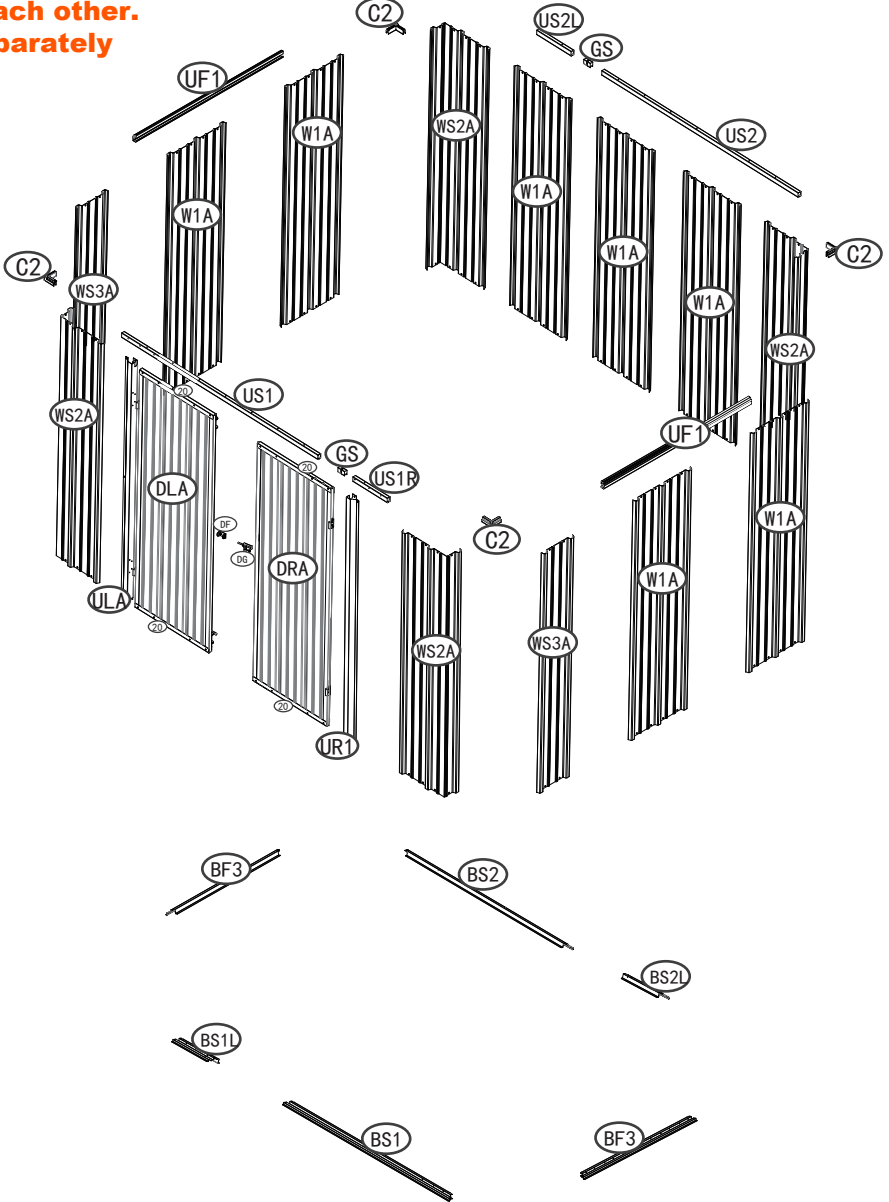
Do not return to the dealer, they are not equipped to handle your requests.



Requires two people and takes 2-3 hours for Installation.



Please Note: 4'x6' storage shed has 7 piece W1A Panels. They may be stuck with each other. Make sure they are separately before assembly



SAFETY & PRECAUTIONS

Before You Begin...

1. Check your local building codes regarding footings, location, etc.
2. Select a site that allows enough working space around the shed.
3. Determine building foundation and anchor system.
4. Read and understand the Owner's manual enclosed in the package.
5. Follow all directions and dimensions thoroughly.
6. Follow the steps given in the manual carefully for correct assembly.
7. Make sure all parts are present before you start assembling.
8. BE SAFE: Follow safety instructions and avoid injury. (See inside page).
9. GROUND MUST BE EVEN: Make sure the foundation frame lies flat on the ground.
If the earth bed is uneven, remove the sod and other debris and level it with a flat shovel.
10. Separate contents of the carton by the part number and review the list. Be sure you have all the necessary parts for your shed. Refer Owner's manual for the part list.

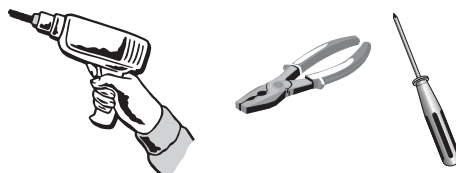


For your own safety, please read and follow these instructions during the shed assembly.

1. Always wear work gloves, long sleeves and eye protection during assembly of the shed. Some pieces of the shed contain sharp edges and can cause injury.



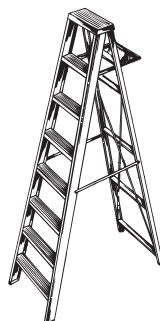
2. Be cautious with the tools used for the assembly of the shed. Familiarize yourself with the operation of all the power tools.



3. Children and pets should be kept away from the assembly site to avoid any distractions and accidents.

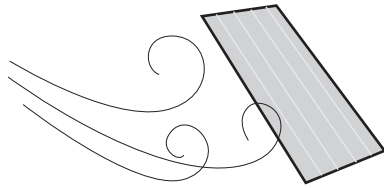


4. When using a step ladder, make sure it is on even ground and fully open with the safety latch in place. Never concentrate your full weight on the roof or any part of the shed.



SAFETY & PRECAUTIONS

5. Do not attempt to assemble the shed on a windy day. Shed panels can be whipped across by the wind making the worksite difficult and dangerous.



For your own safety, please read and follow these instructions during the shed assembly.

1. Always wear work gloves, long sleeves and eye protection during assembly of the shed. Some pieces of the shed contain sharp edges and can cause injury.
2. Be cautious with the tools used for the assembly of the shed. Familiarize yourself with the operation of all the power tools.
3. Children and pets should be kept away from the assembly site to avoid any distractions and accidents.
4. When using a step ladder, make sure it is on even ground and fully open with the safety latch in place. Never concentrate your full weight on the roof or any part of the shed.
5. Do not attempt to assemble the shed on a windy day. Shed panels can be whipped across by the wind making the worksite difficult and dangerous.

IMPORTANT

1. **Wear eye protection when using any form of the power tool. Do not use voltage power tools in a wet or damp environment to avoid electric shock.**
2. **Do not use any part of the shed as a means of personal support while attaching components during assembly.**
3. **The shed is recommended to be constructed on a solid base foundation. A concrete pad or a large size concrete patio stone squares is recommended for a suitable floor base. Make sure it is firm and level and will allow drainage away from the site.**
4. **Recommended: for a concrete pad base, prepare a level bed for a firm footing layer of crushed stone. The concrete pad should then be poured to a thickness of 4 inches (100mm) to 5 inches (125mm). Allow drying thoroughly for at least 48 hours.**
5. **The shed is recommend to be firmly anchored to the concrete pad or large concrete patio stone squares, to help protect against damage in high winds.**
6. **The shed could be used without foundation, please make sure the shed is stable.**

Care & Maintenance

Although this unit does not require any maintenance, care should be taken to prolong the life of your shed.

ROOF: Keep the roof clean of leaves and snow with a long-handled, soft-bristled broom. Heavy amounts of snow on the roof can damage the shed making it unsafe. Do not step on the roof.

WALLS: Do not rest any object against the wall panels of the shed.

DOORS: Keep doors closed to prevent wind damage.

FASTENERS: Regularly check your shed for loose screws, bolts, nuts, etc. And retighten them as necessary.

MOISTURE: With changing temperatures, condensation will accumulate inside the shed. Good ventilation will help in regulating and avoid moisture.

TIP: A noncorrosive caulking is helpful to seal the shed.

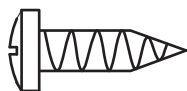


**DO NOT store swimming pool chemicals in your building.
Combustibles and corrosive must be stored in airtight containers**

HARDWARE

F1

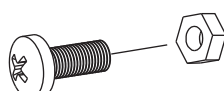
SCREW



216 PC

F2

SCREW



14 PC

F3

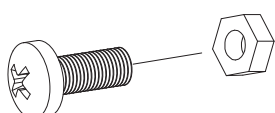
SCREW



32 PC

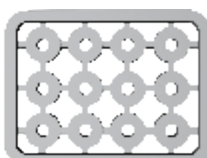
F4

SCREW



5 PC

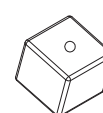
V2



208 PC

GC

smart cover



4 PC

PARTS

A1



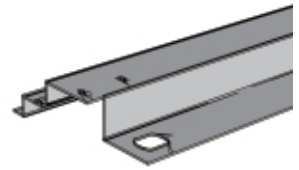
2 PC

A2



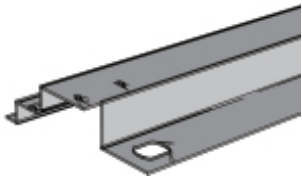
2 PC

BS1



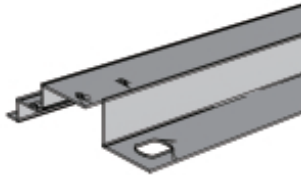
1 PC

BS1L



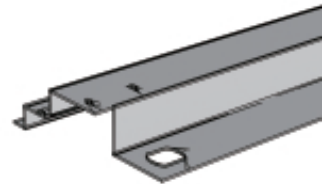
1 PC

BS2



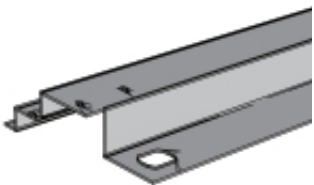
1 PC

BS2L



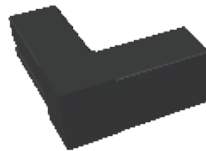
1 PC

BF3



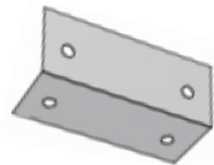
2 PC

C2



4 PC

C3



4 PC

DRA



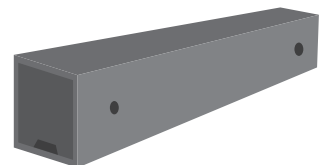
1 PC

DLA



1 PC

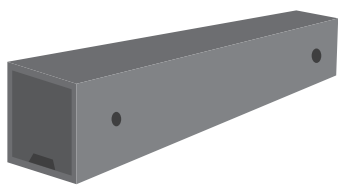
US1



1 PC

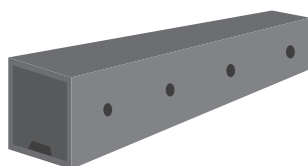
PARTS

US1R



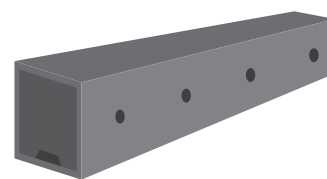
1 PC

US2



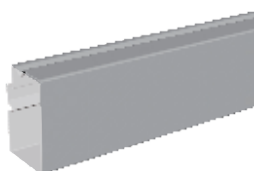
1 PC

US2L



1 PC

UF1



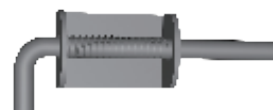
2 PC

ULA



1 PC

DC



2 PC

V1



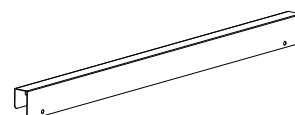
50 PC

UR1



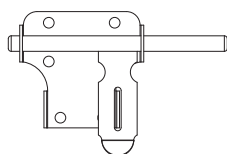
1 PC

20



4 PC

DG



1 PC

W1A



7 PC

WS2A



4 PC

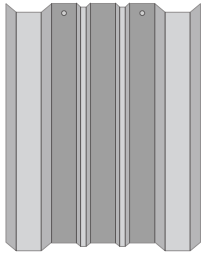
PARTS

WS3A



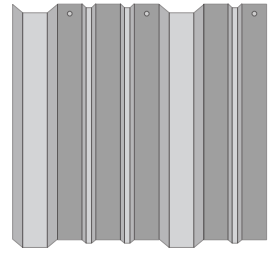
2 PC

PS1



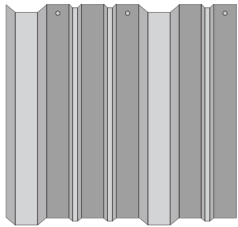
2 PC

PS2



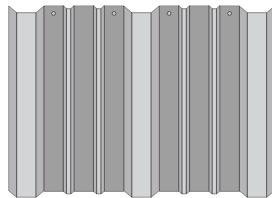
2 PC

PS3



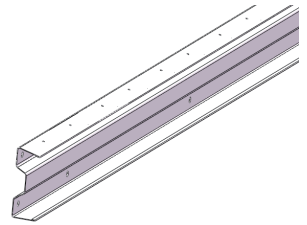
2 PC

PS4



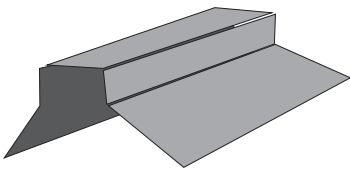
2 PC

M1



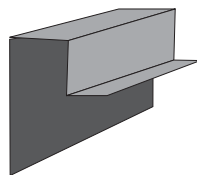
2 PC

M6



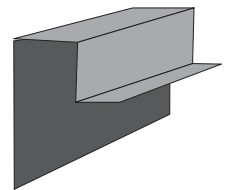
1 PC

M7



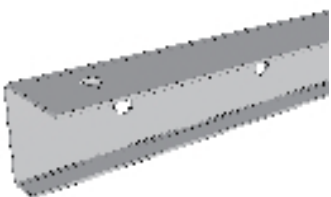
2 PC

M8



2 PC

M12



2 PC

GC



4 PC

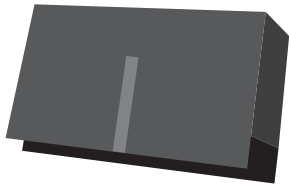
GE



2 PC

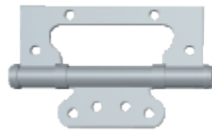
PARTS

GS



2 PC

DH



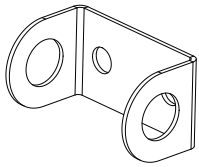
4 PC

DX2



4 PC

DF



1 PC

GROUND MUST BE EVEN

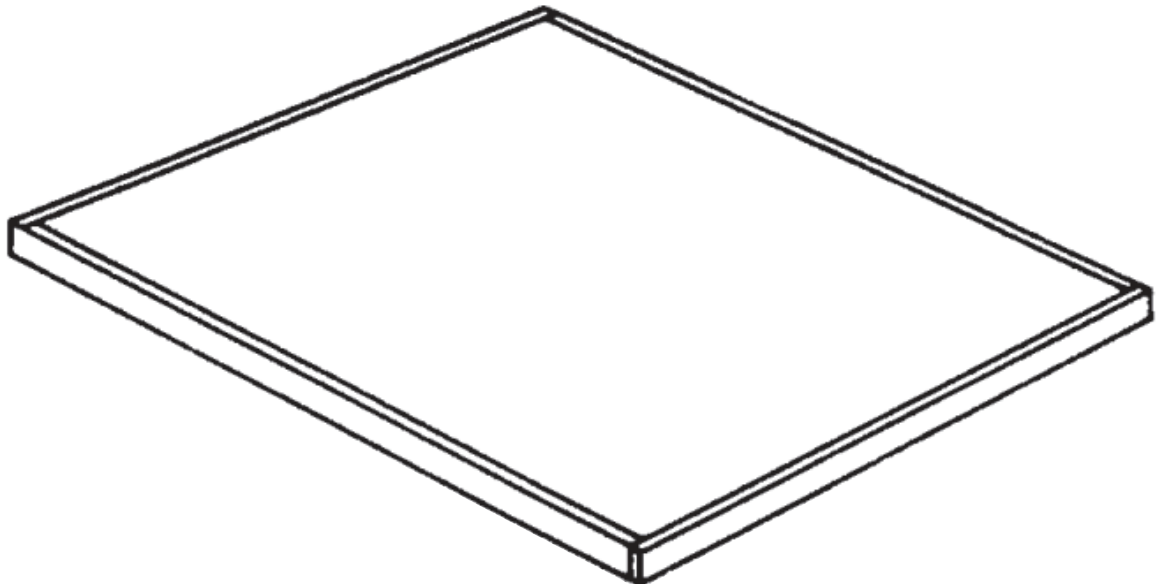


The ground must be even, otherwise the holes will not line up properly!!!

The shed must be constructed on a solid base foundation. A concrete pad or a large size concrete patio stone squares is recommended for a suitable floor base. Make sure it is firm and level and will allow drainage away from the site. The base foundation should be at least 4 inches (100mm) larger than the shed dimensions. The manufacturer is not responsible for the choice and construction of the foundation

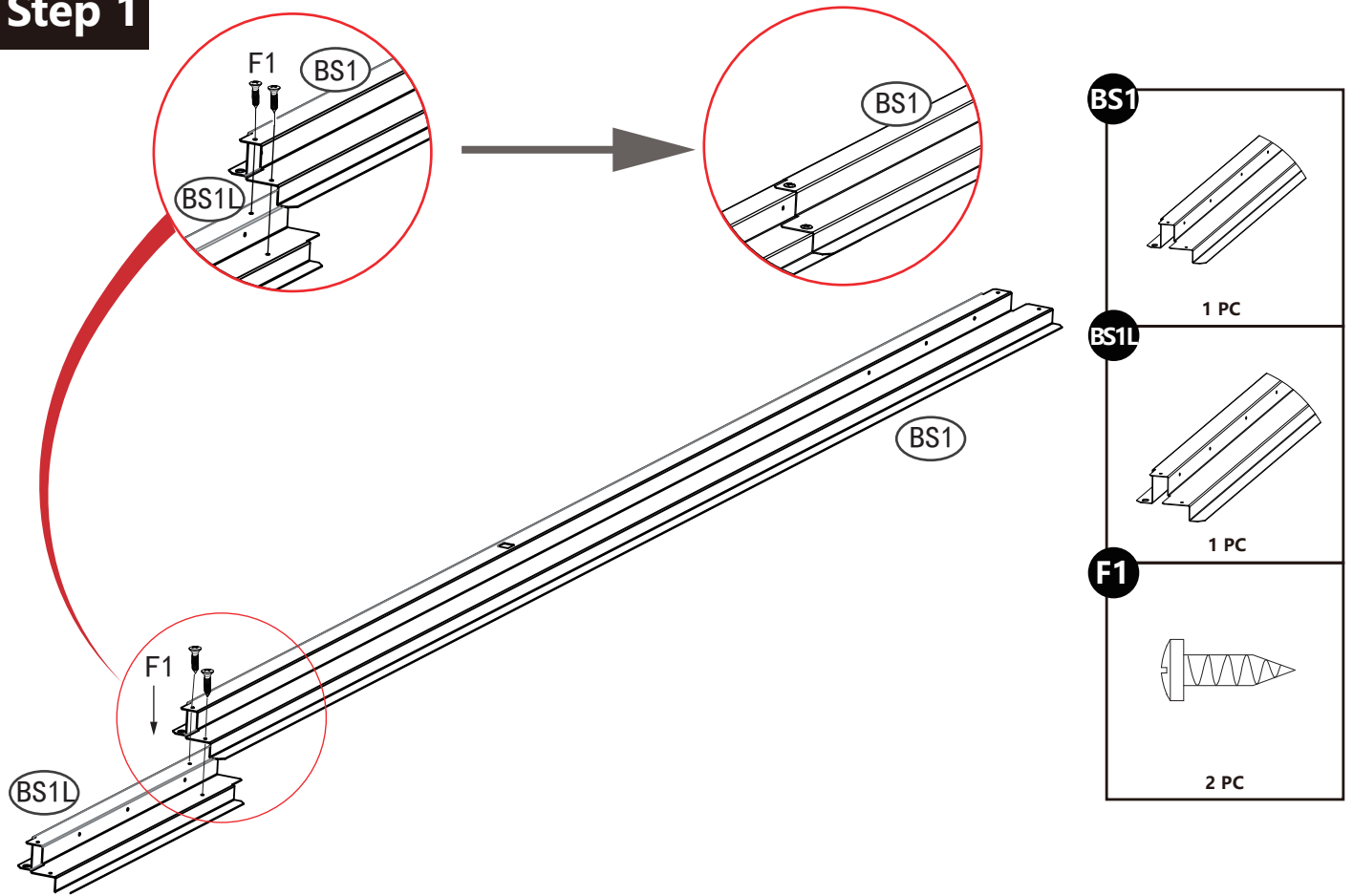
Note: For a concrete pad base, prepare a level bed for a firm footing layer of crushed stone. The concrete pad

should then be poured to a thickness of 4 inches (100mm) to 5 inches (125mm). Allow drying thoroughly for at least 48 hours

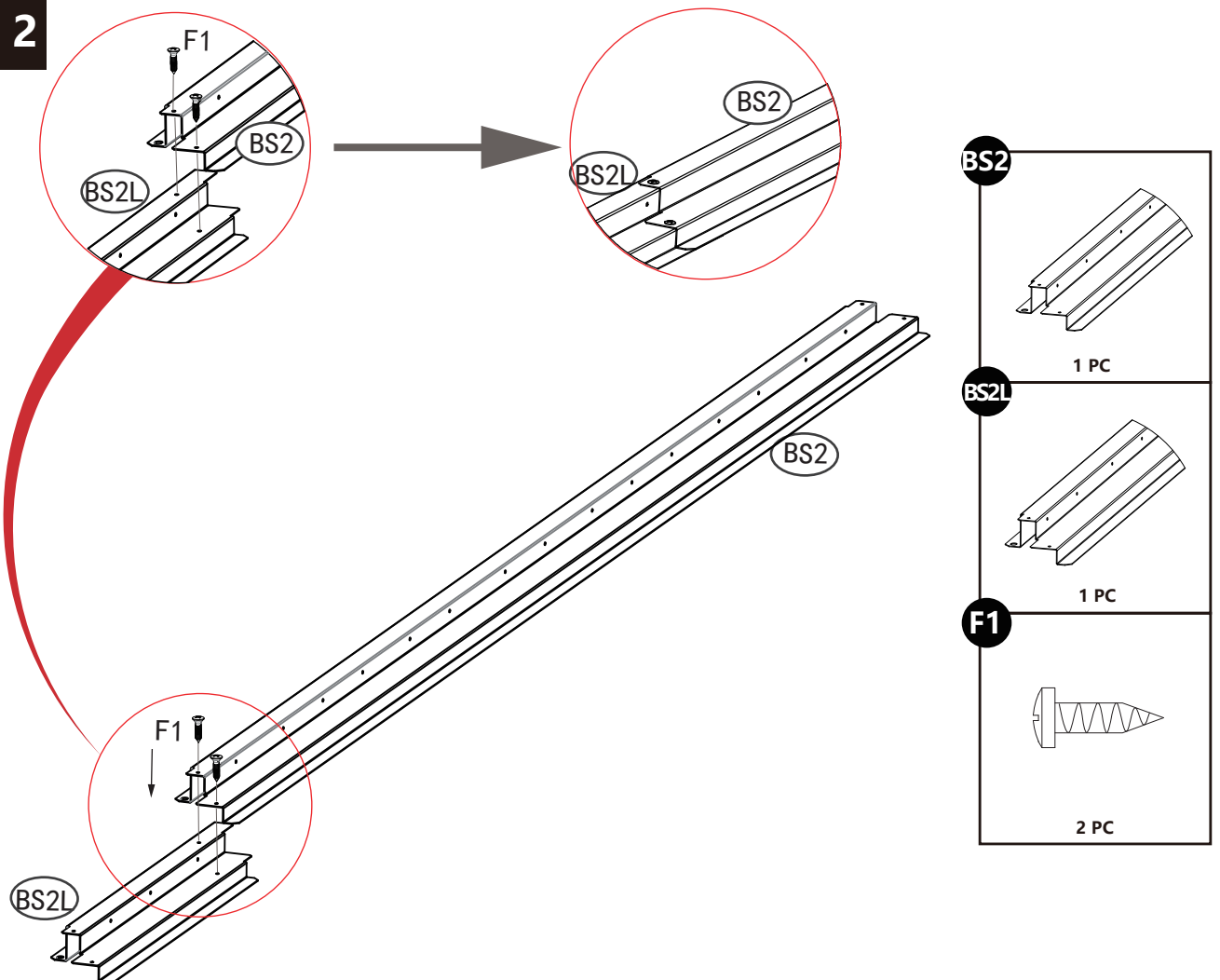


PRODUCT ASSEMBLY

Step 1

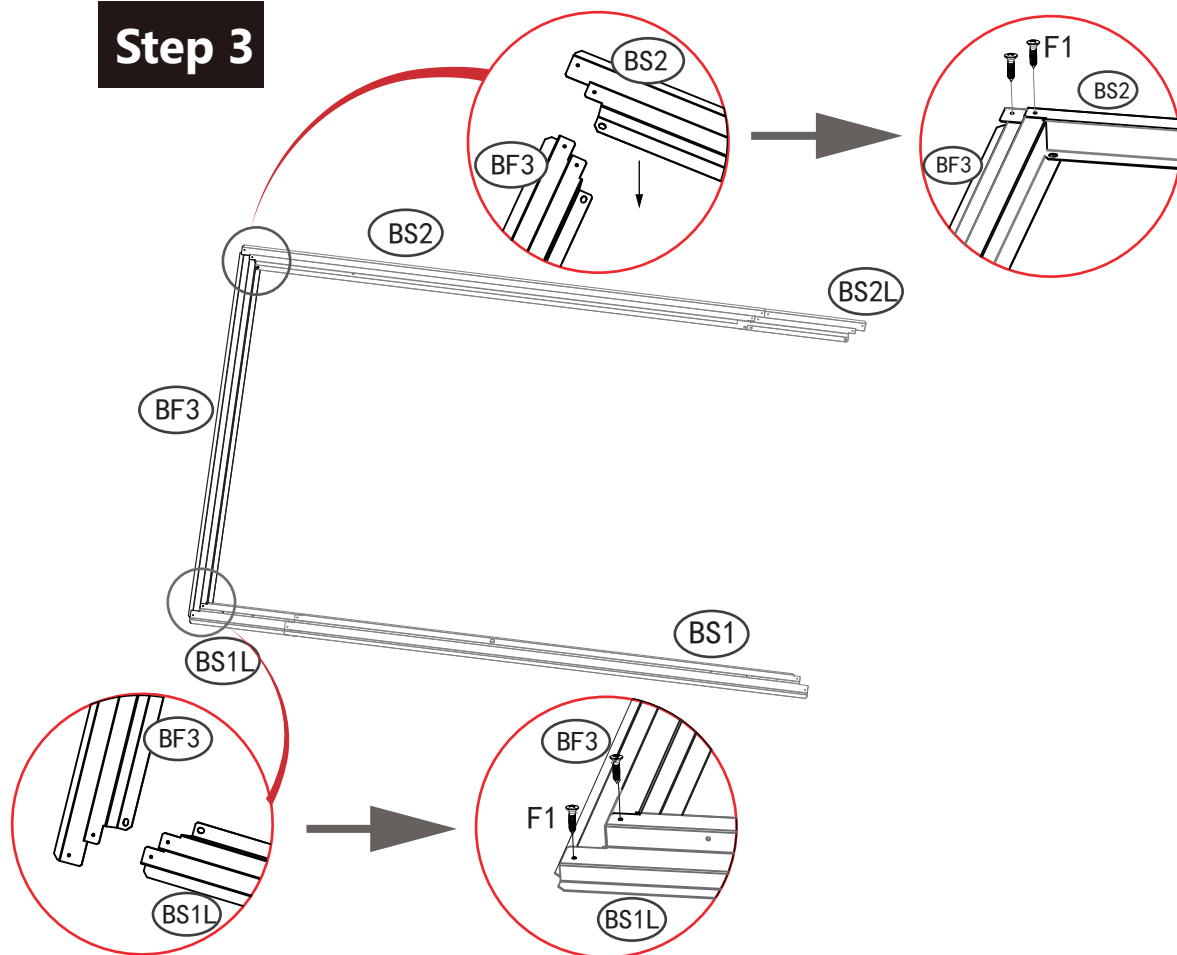


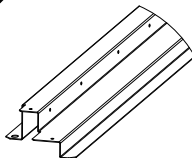
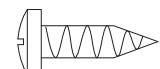
Step 2



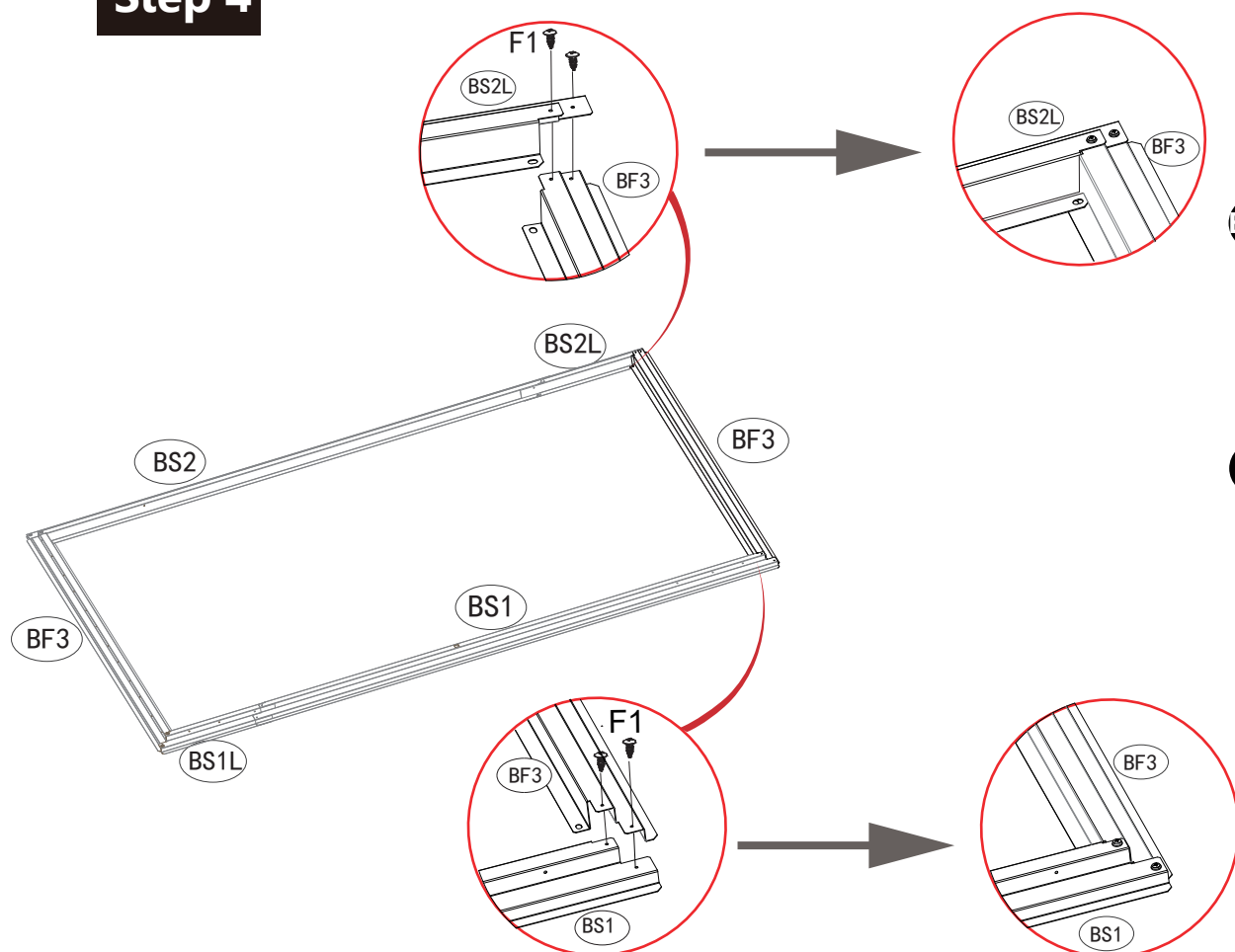
PRODUCT ASSEMBLY

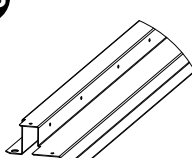

Step 3



BF3	 1 PC
F1	 4 PC

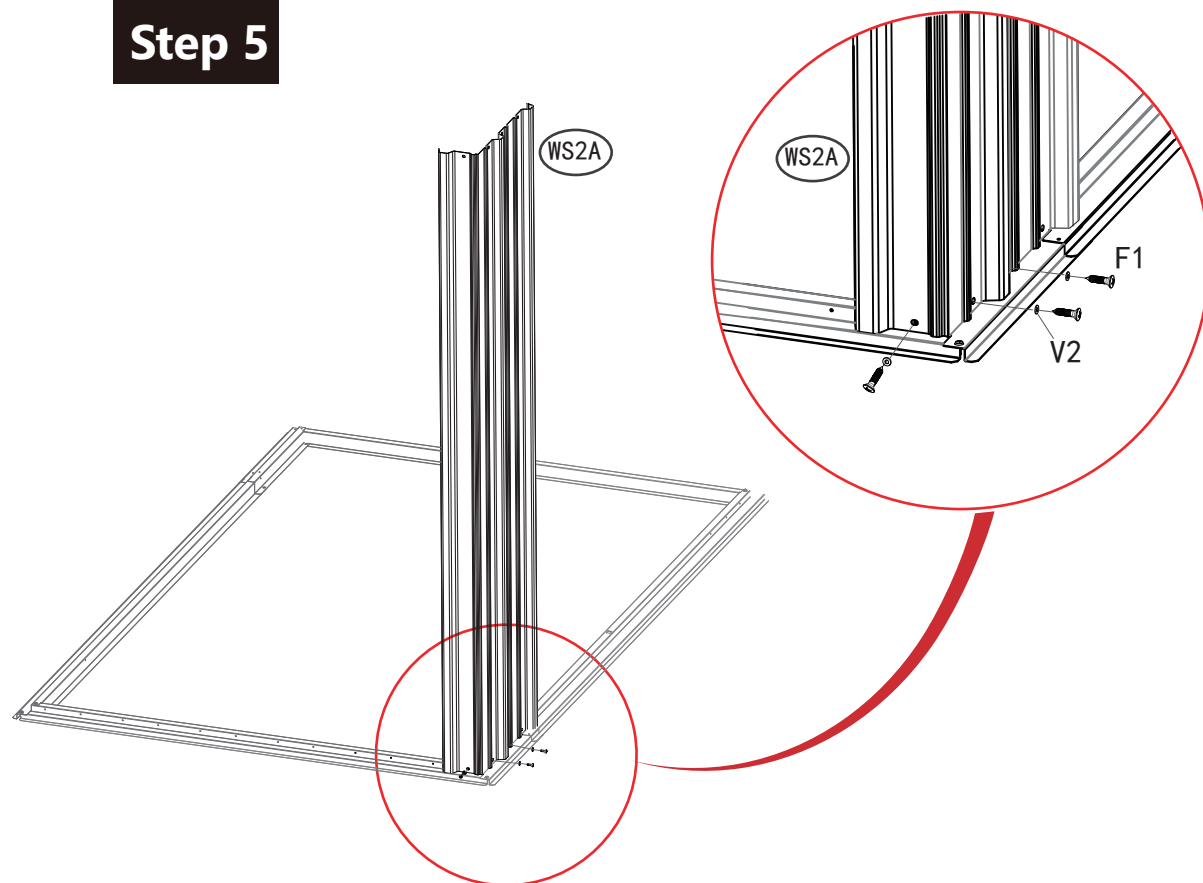
Step 4


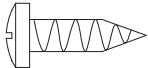
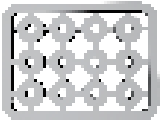
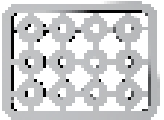


BF3	 1 PC
F1	 4 PC

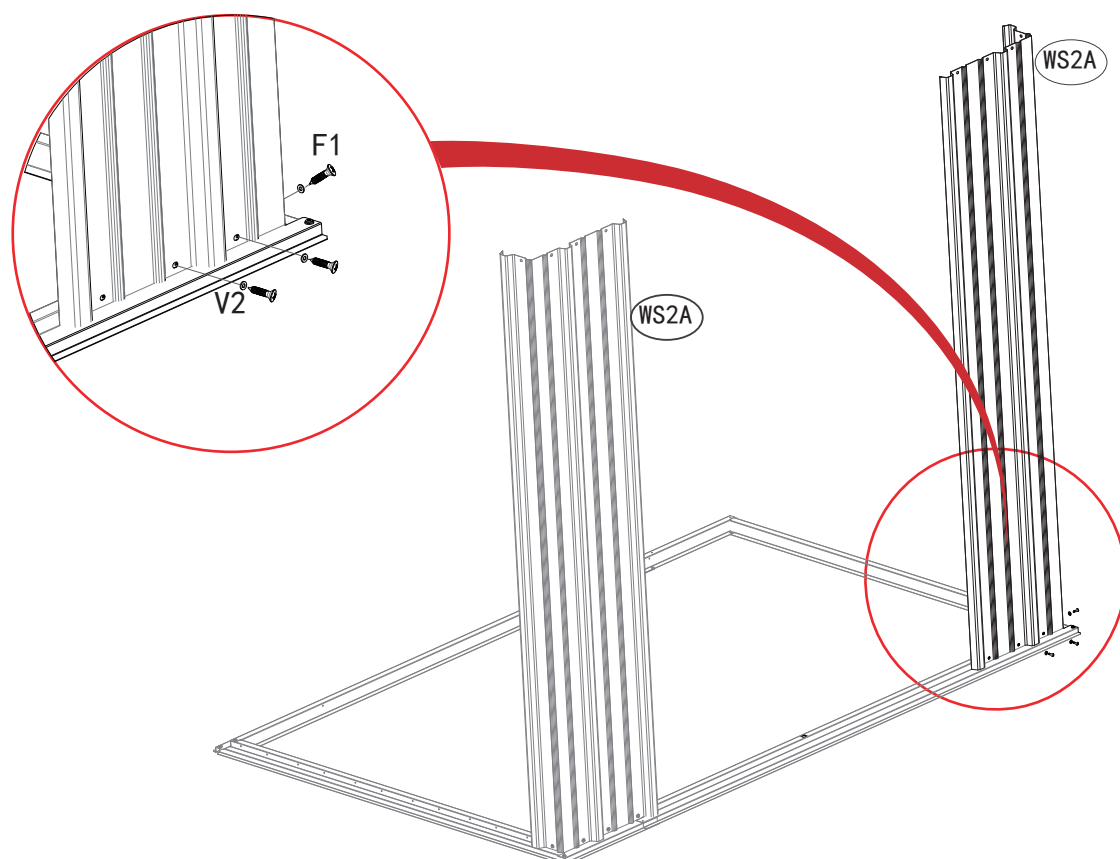
PRODUCT ASSEMBLY

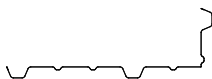
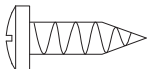
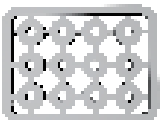
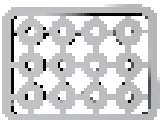
Step 5



WS2A	
F1	
V2	
	
	3 PC

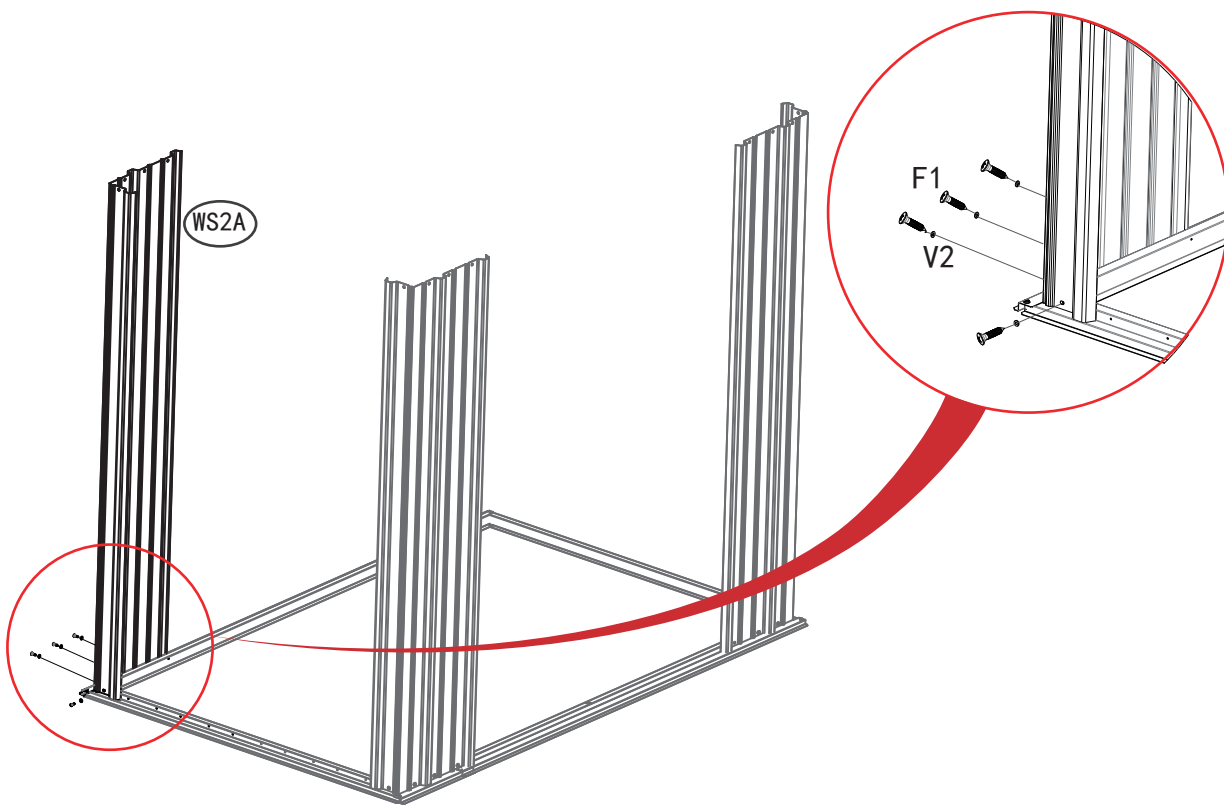
Step 6

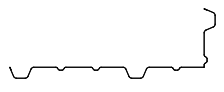
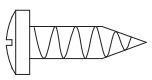
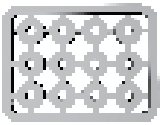


WS2A	
F1	
V2	
	
	3 PC

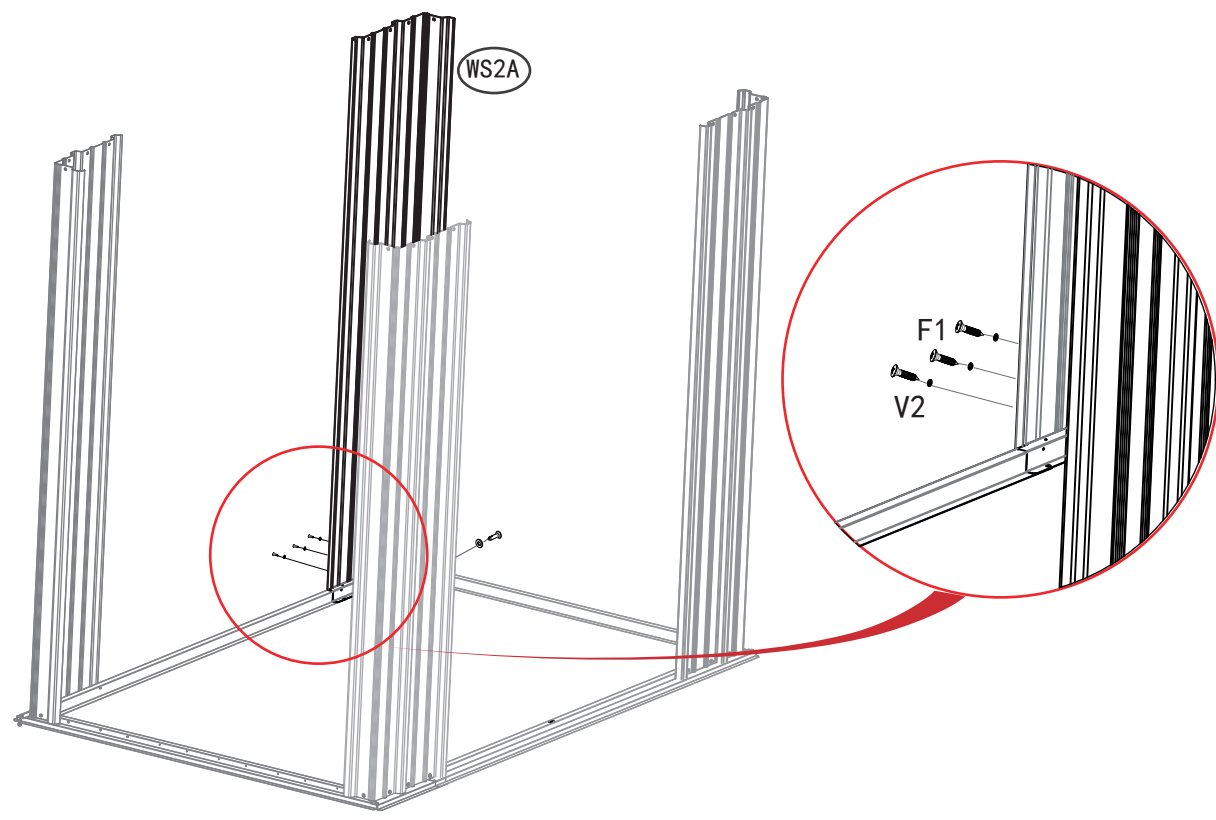
PRODUCT ASSEMBLY


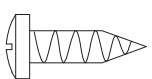
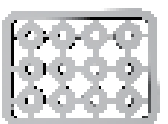
Step 7



WS2A		1 PC
F1		4 PC
V2		4 PC

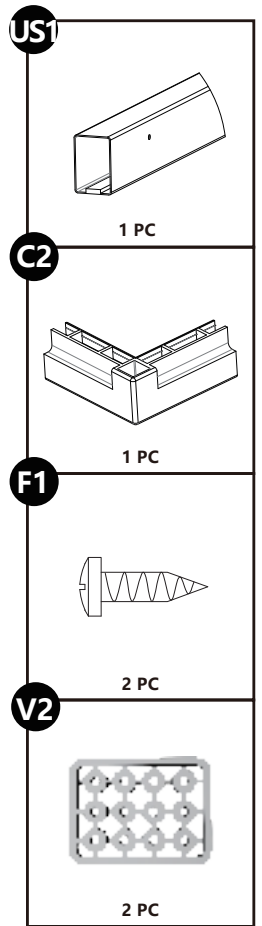
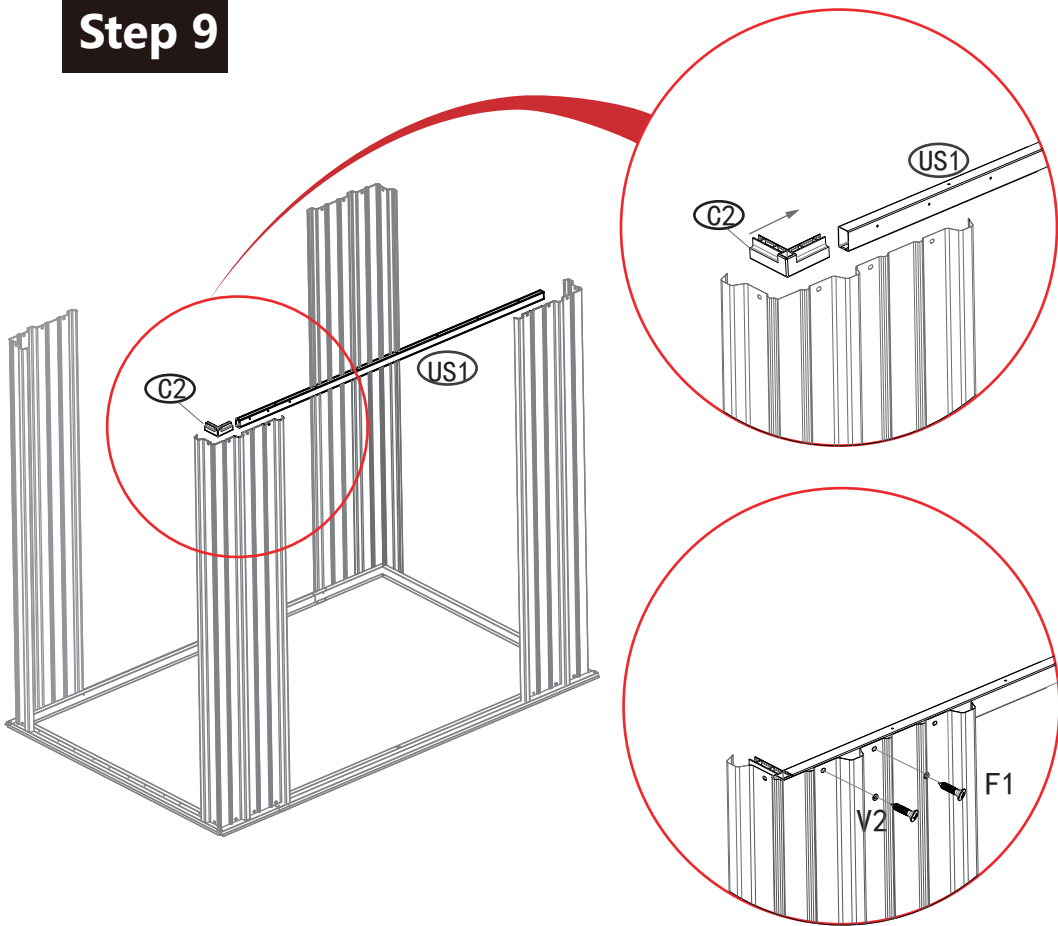
Step 8



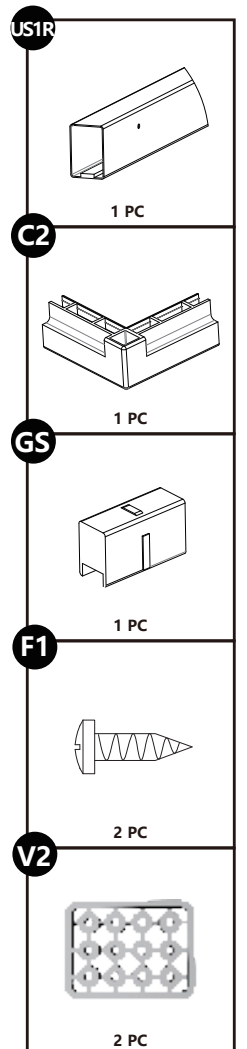
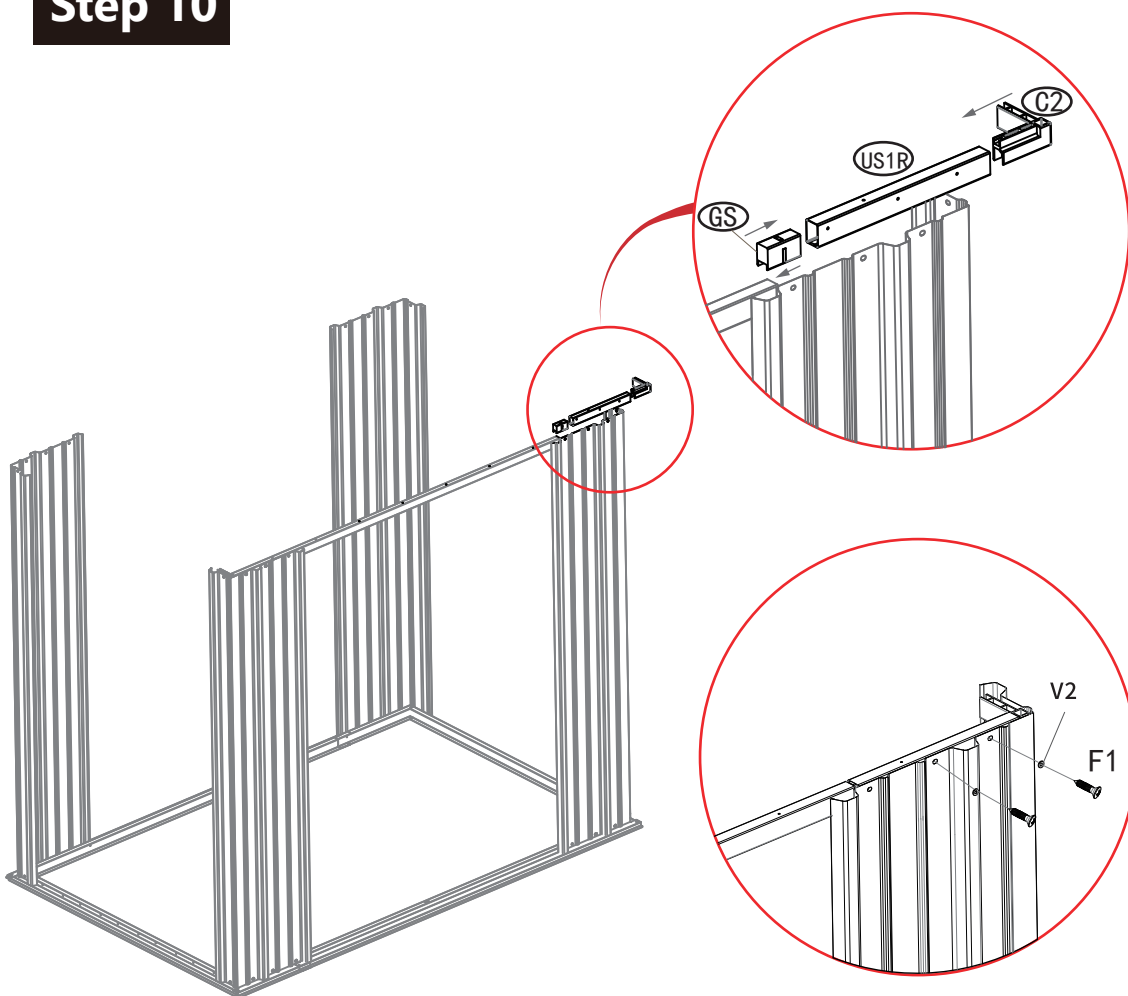
WS2A		1 PC
F1		4 PC
V2		4 PC

PRODUCT ASSEMBLY

Step 9

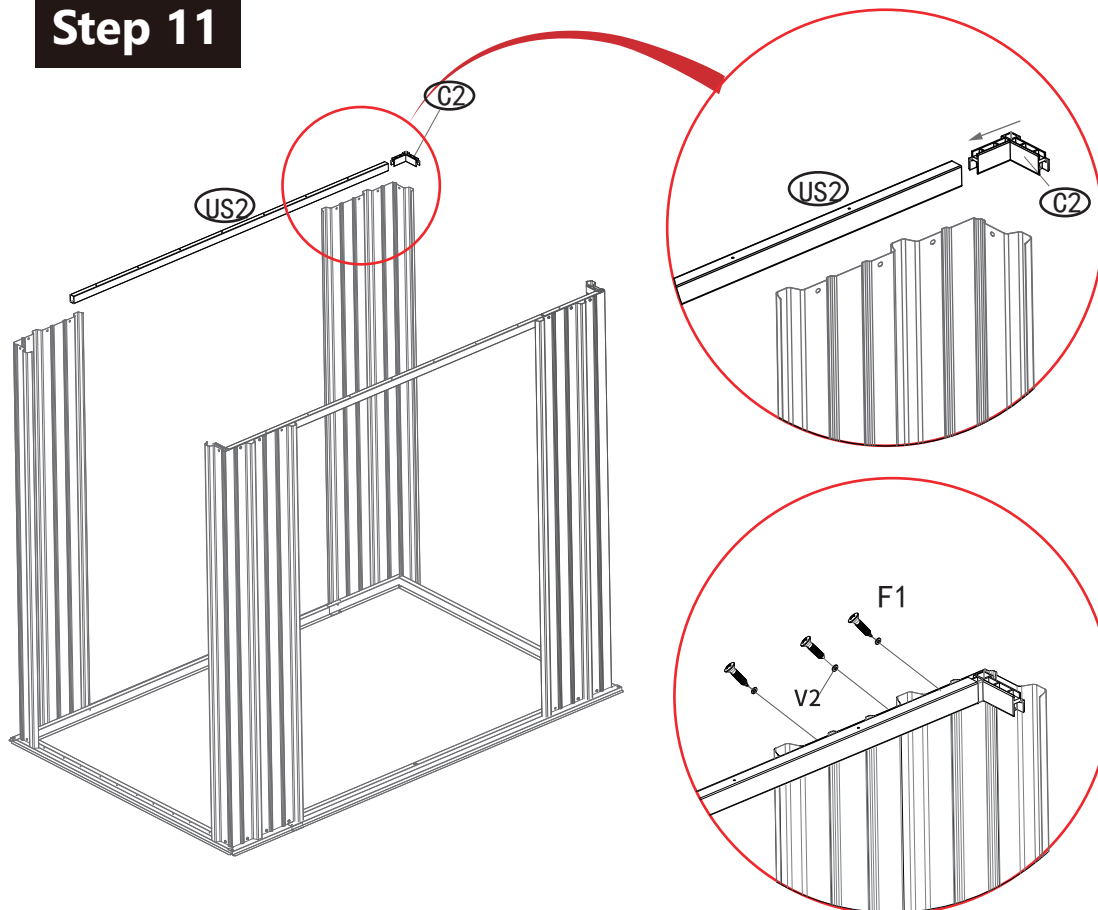


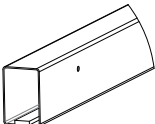
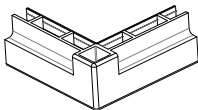
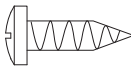
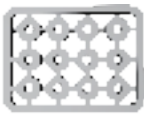
Step 10



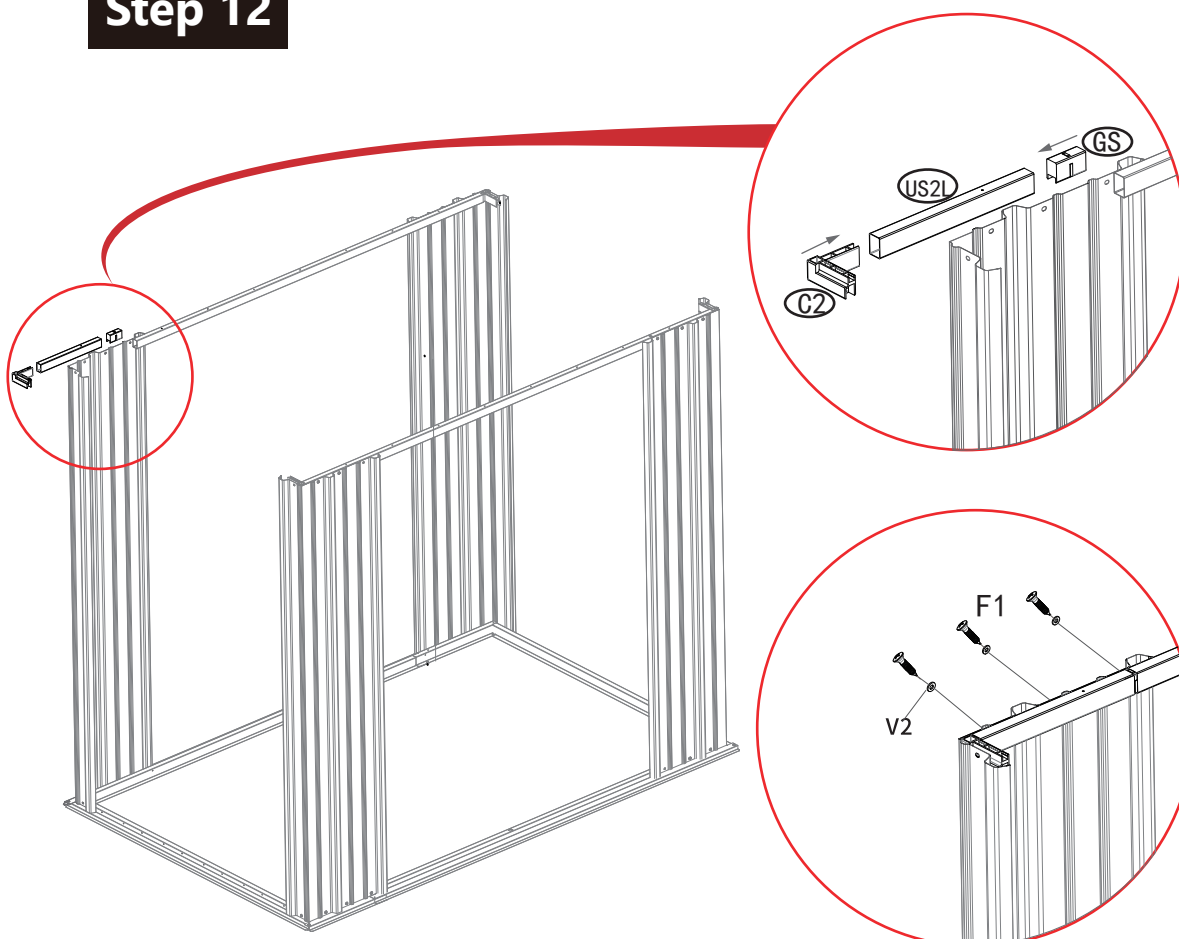
PRODUCT ASSEMBLY

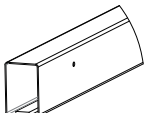
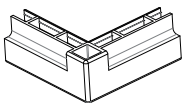
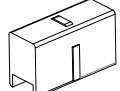
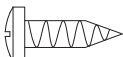
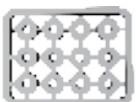
Step 11



- US2**

1 PC
- C2**

1 PC
- F1**

3 PC
- V2**

3 PC

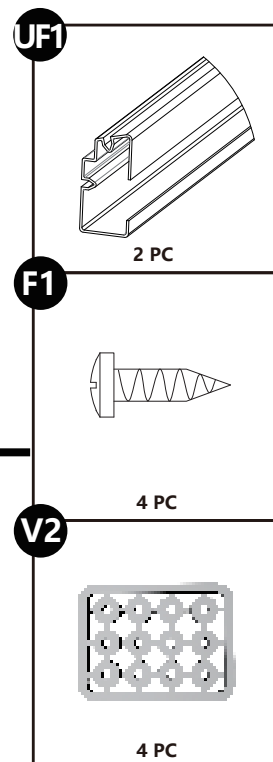
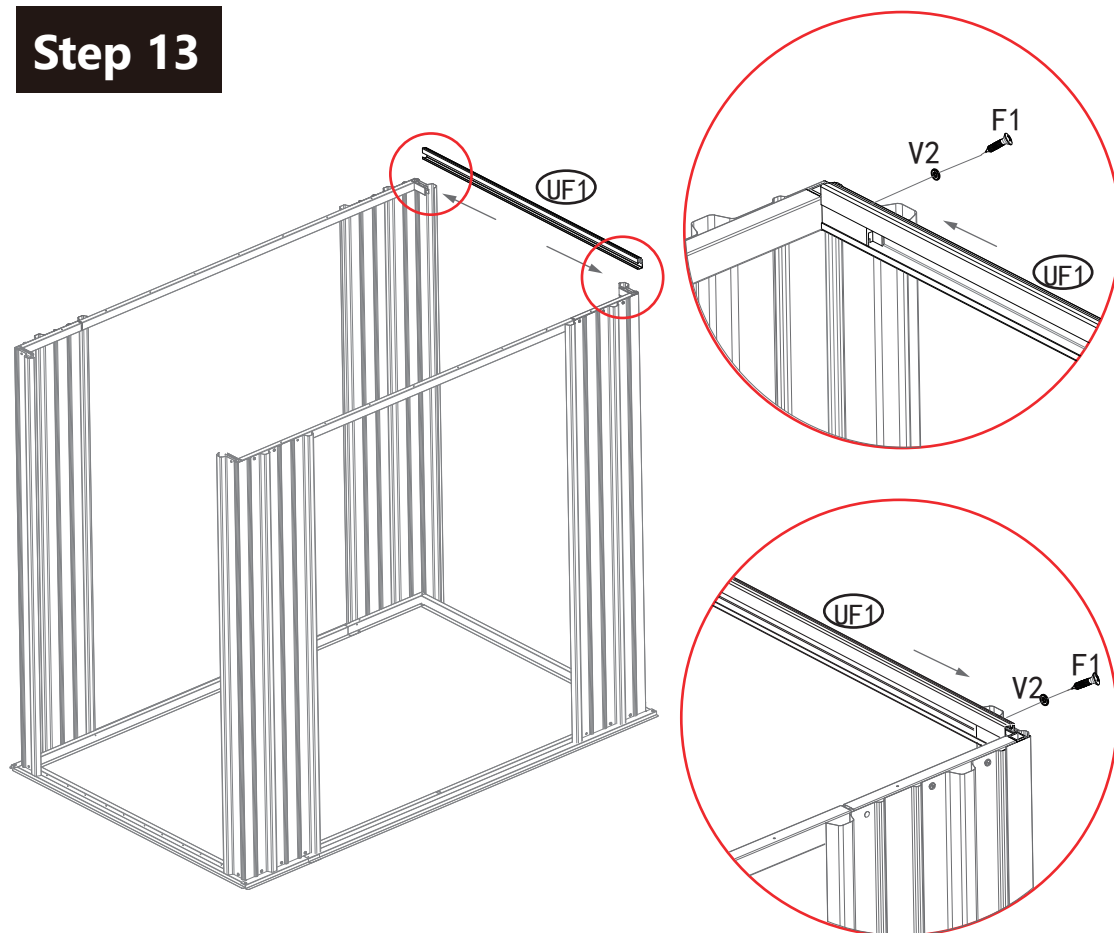
Step 12



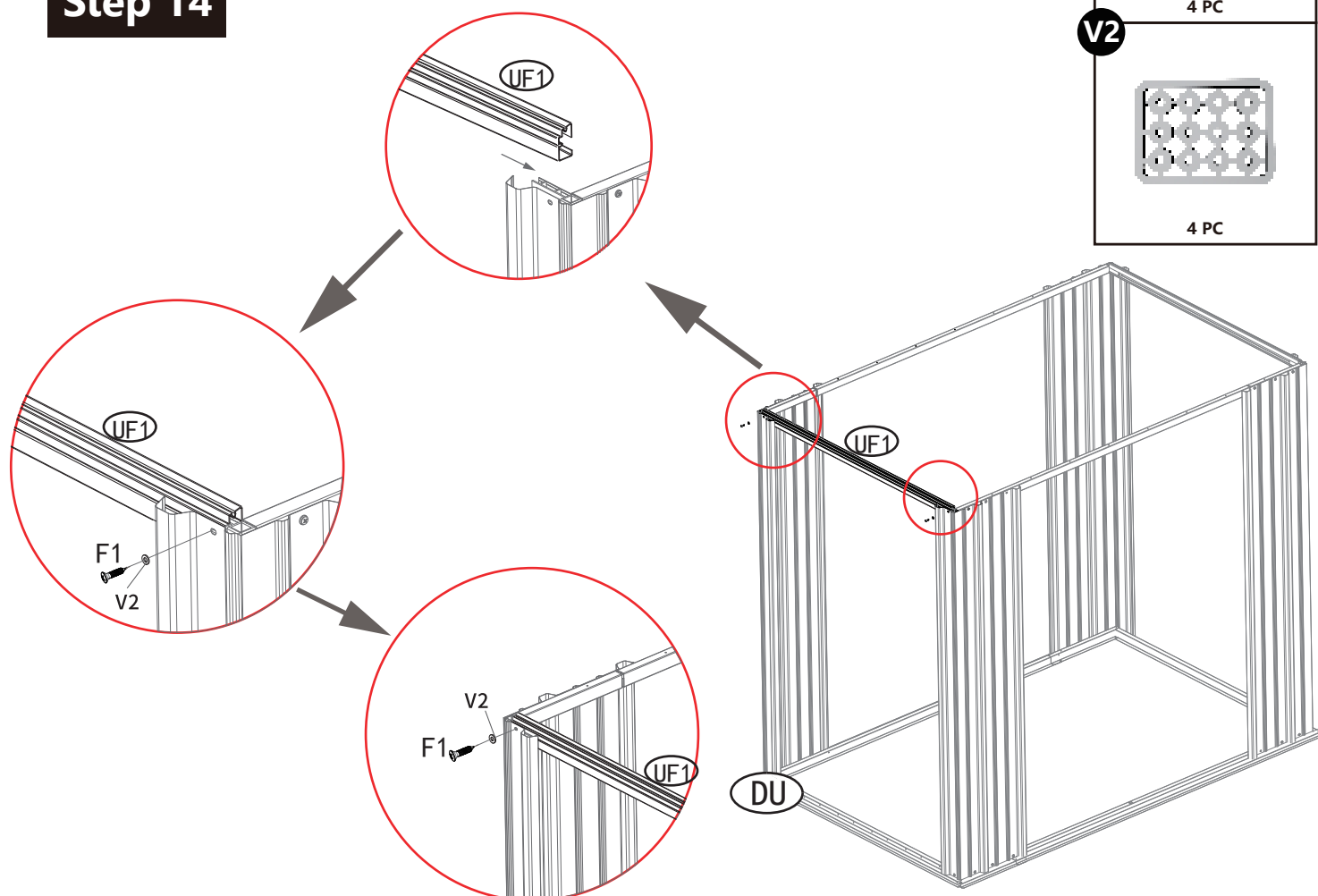
- US2R**

1 PC
- C2**

1 PC
- GS**

1 PC
- F1**

2 PC
- V2**

2 PC

PRODUCT ASSEMBLY

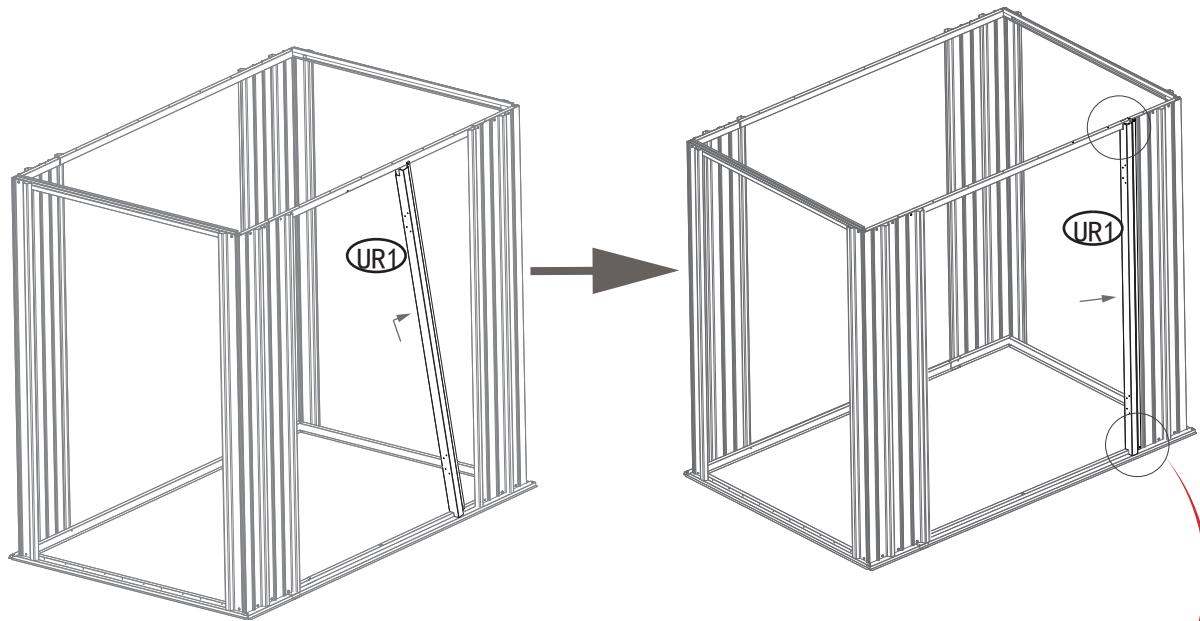
Step 13



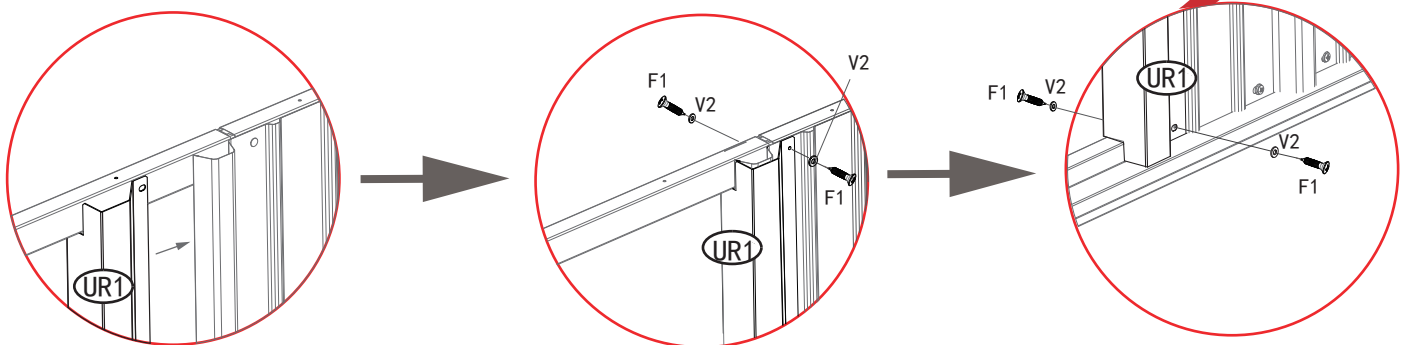
Step 14

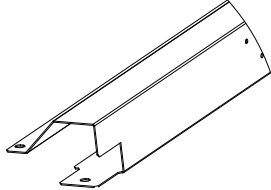
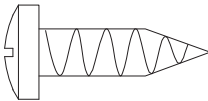
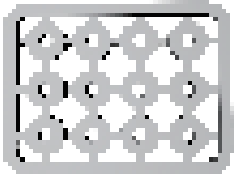


Step 15



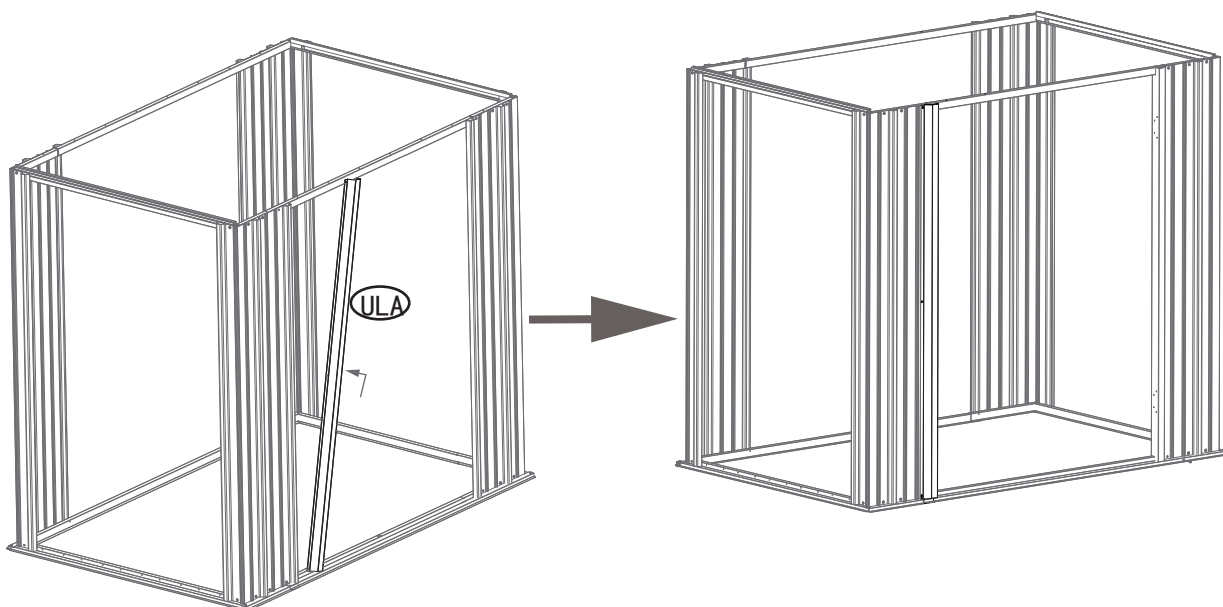
There is one screw on the inside and one screw on the outside of this position



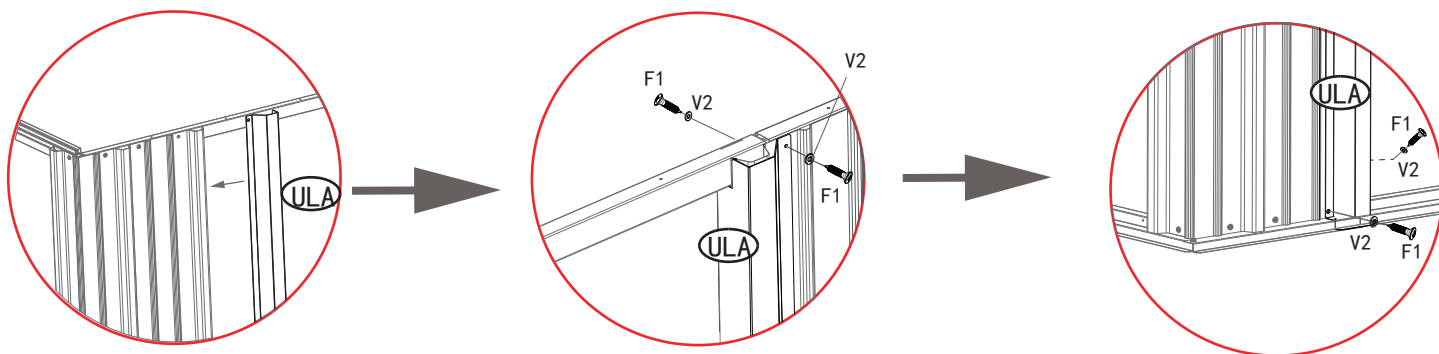
UR1	F1	V2
		
1 PC	4 PC	4 PC

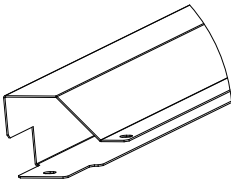
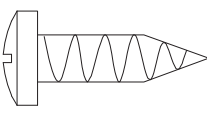
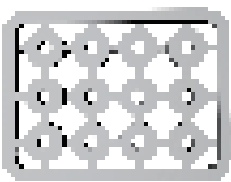
PRODUCT ASSEMBLY

Step 16



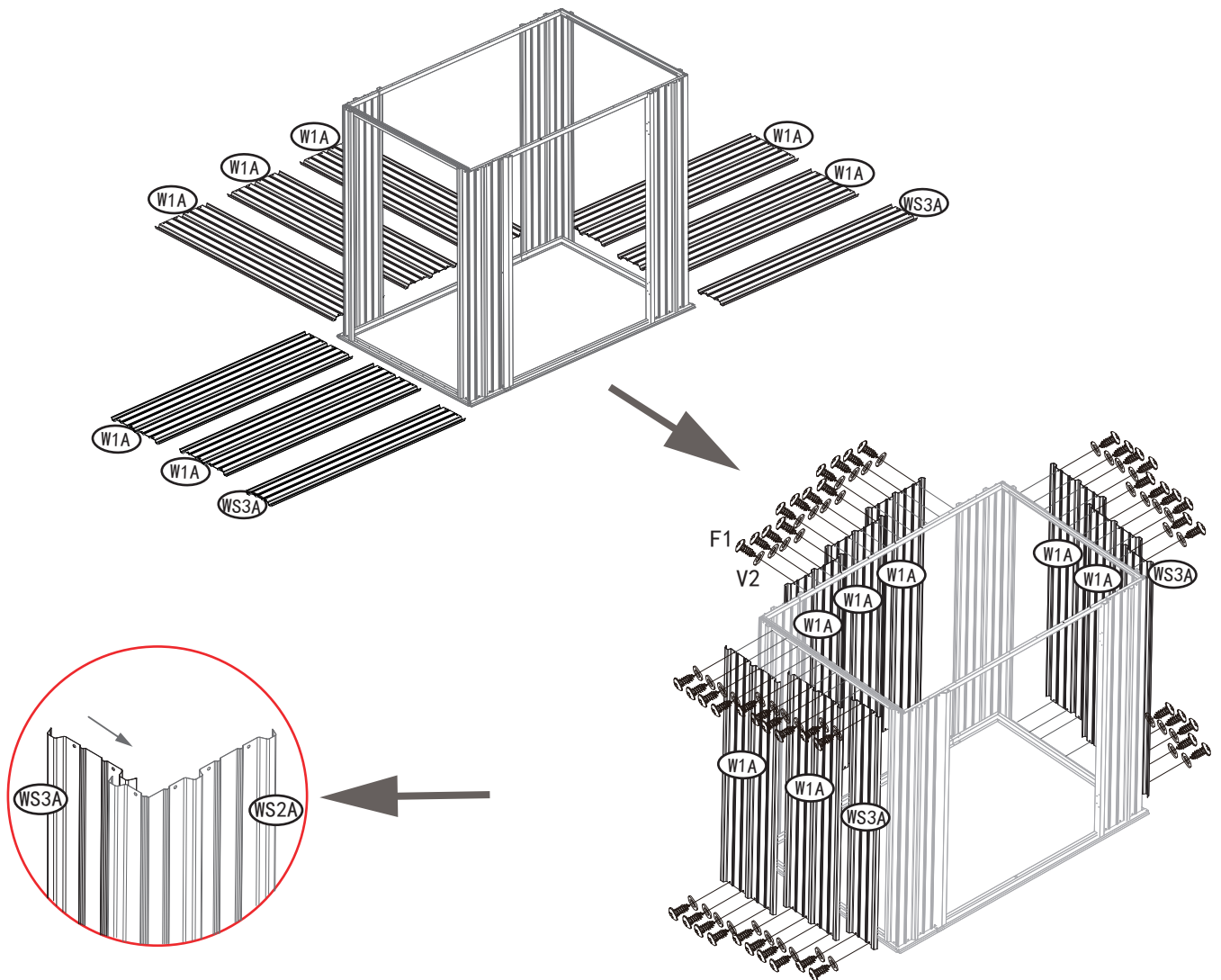
There is one screw on the inside and one screw on the outside of this position


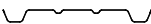
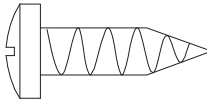
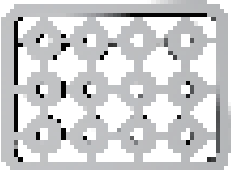


ULA	F1	V2
		
1 PC	4 PC	4 PC

PRODUCT ASSEMBLY

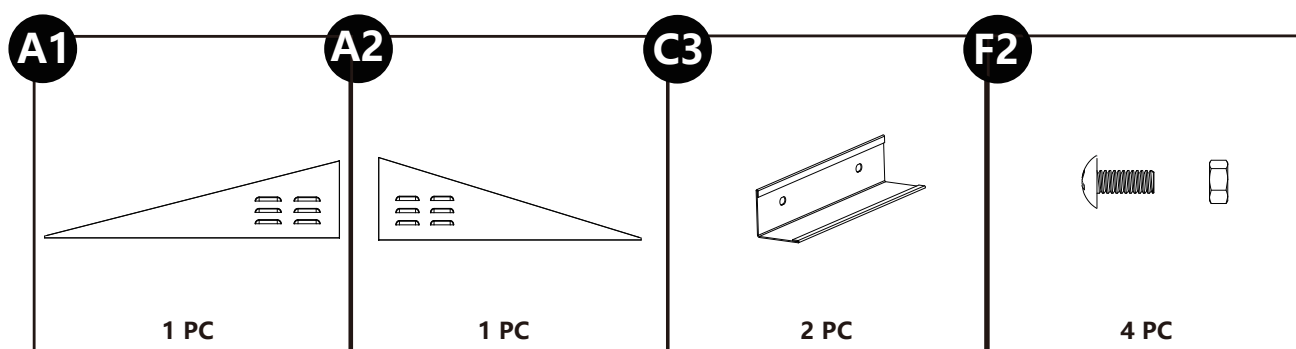
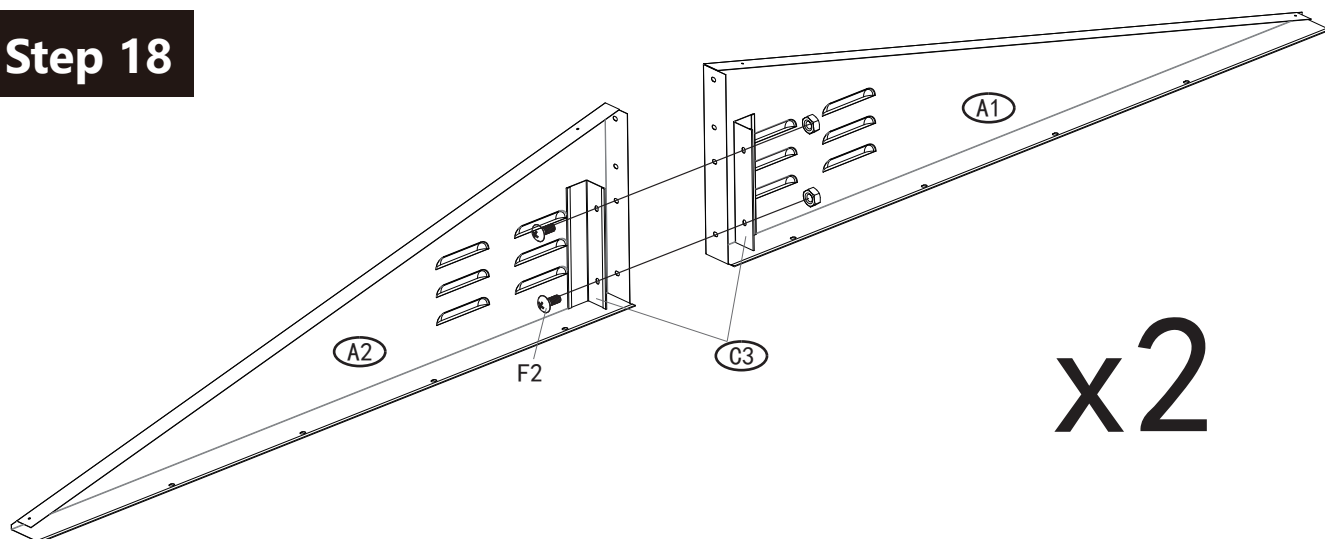
Step 17



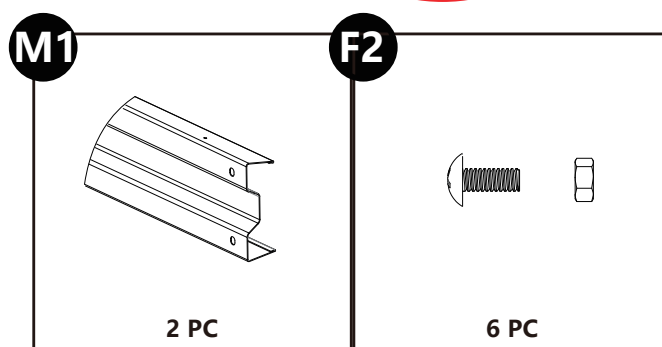
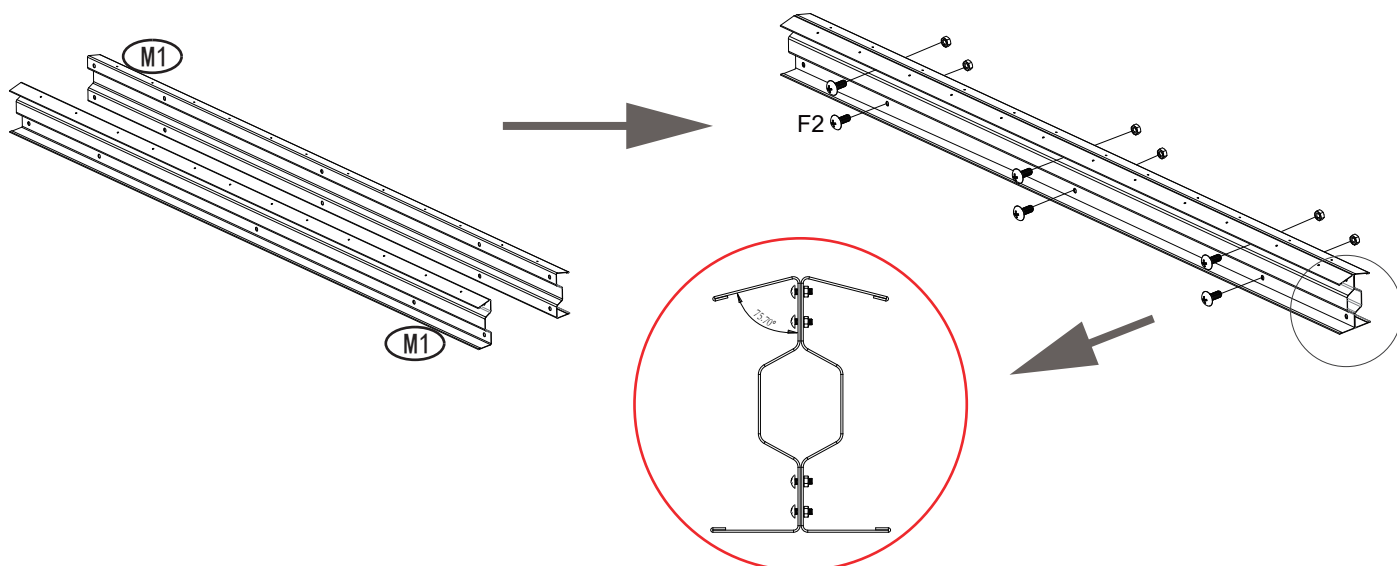
W1A	WS3A	F1	V2
 7 PC	 2 PC	 64 PC	 64 PC

PRODUCT ASSEMBLY

Step 18

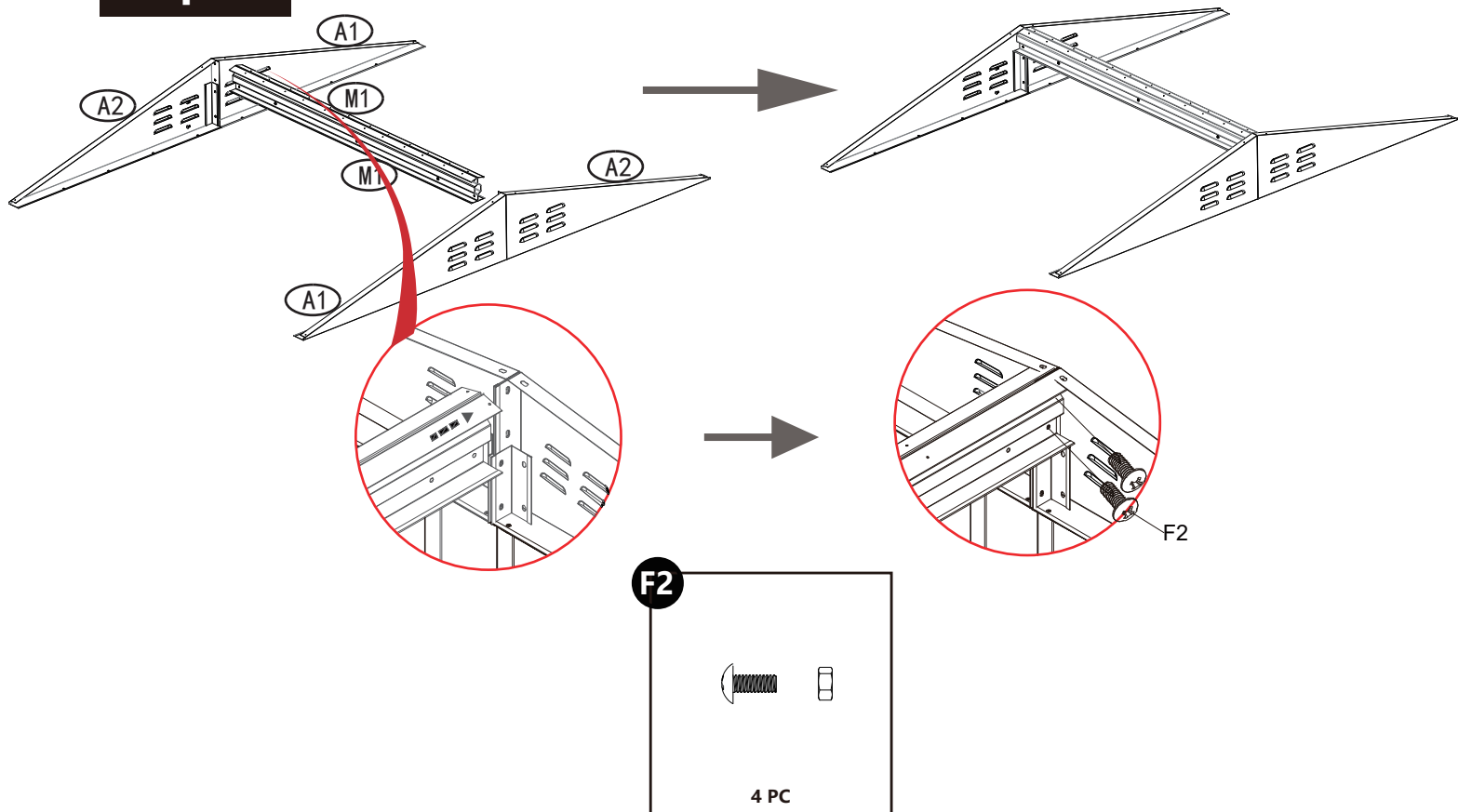


Step 19

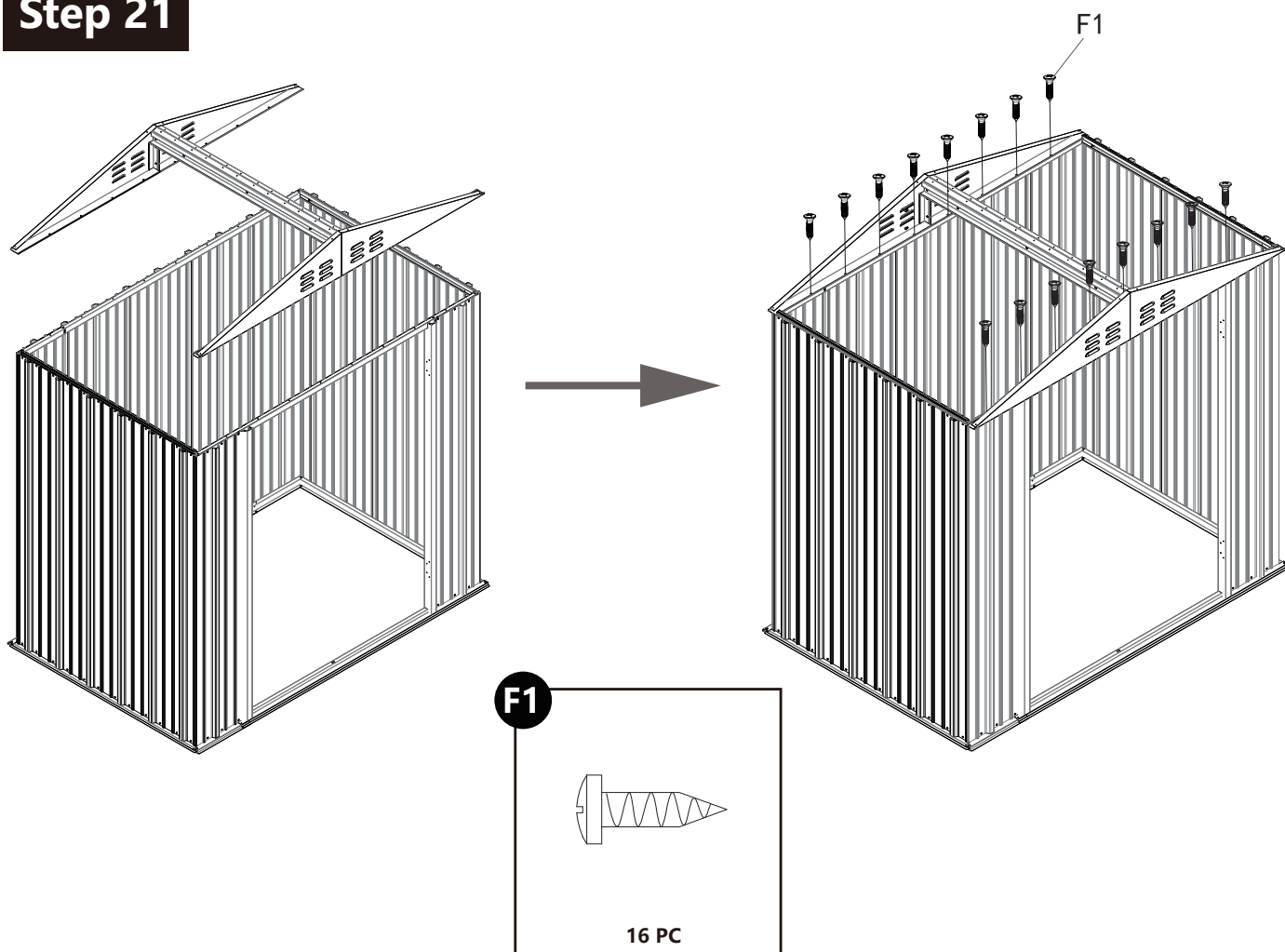


PRODUCT ASSEMBLY

Step 20

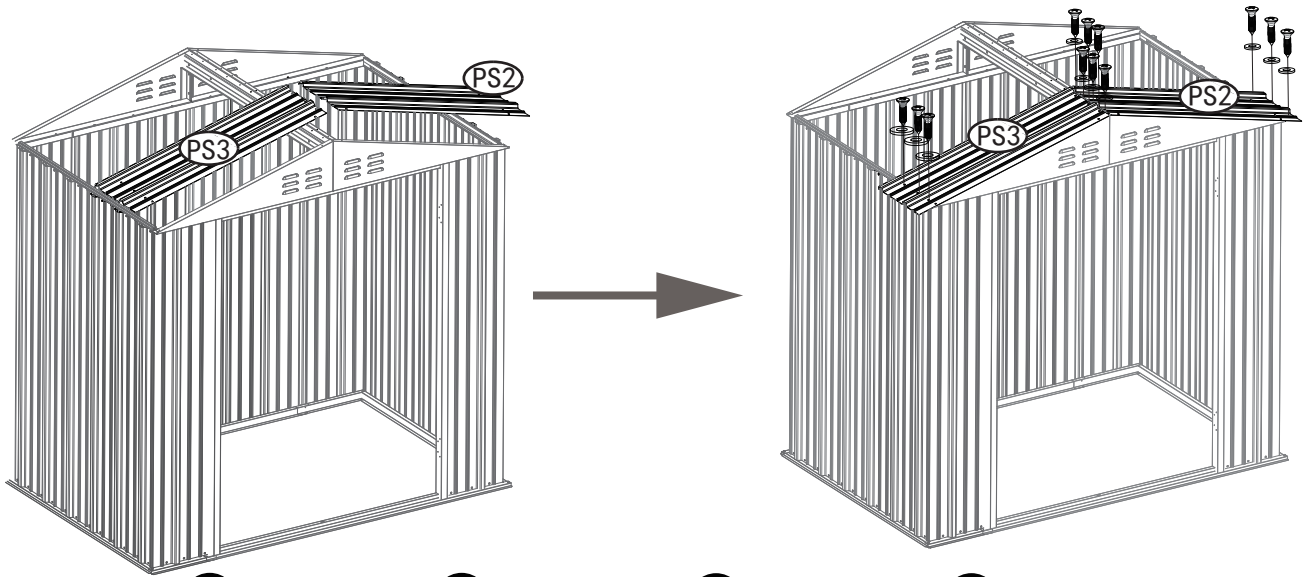


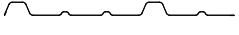
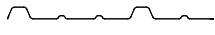
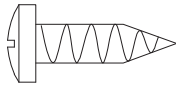
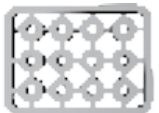
Step 21



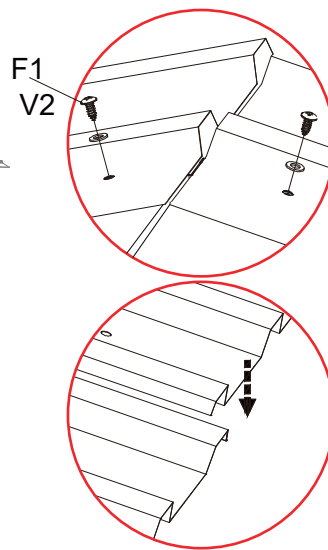
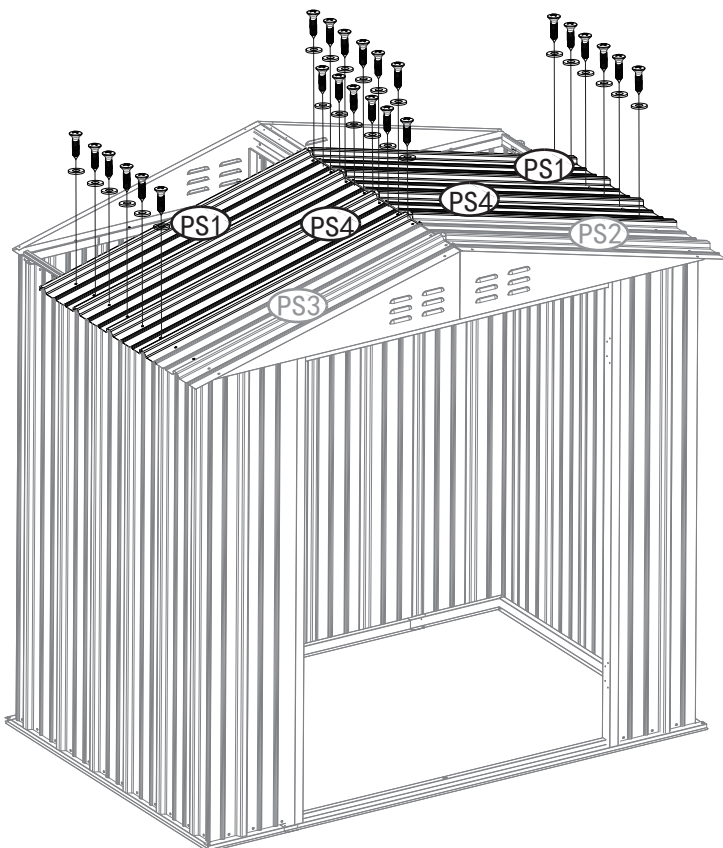
PRODUCT ASSEMBLY



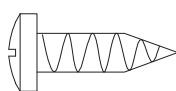

Step 22



PS2	PS3	F1	V2
			
1 PC	1 PC	12 PC	12 PC

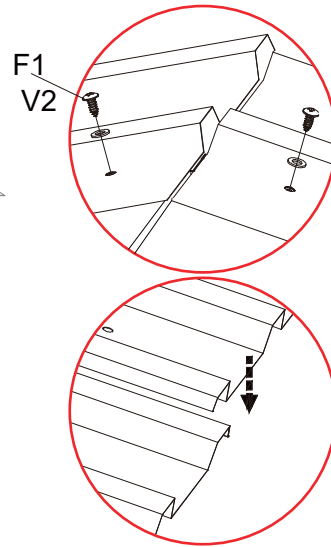
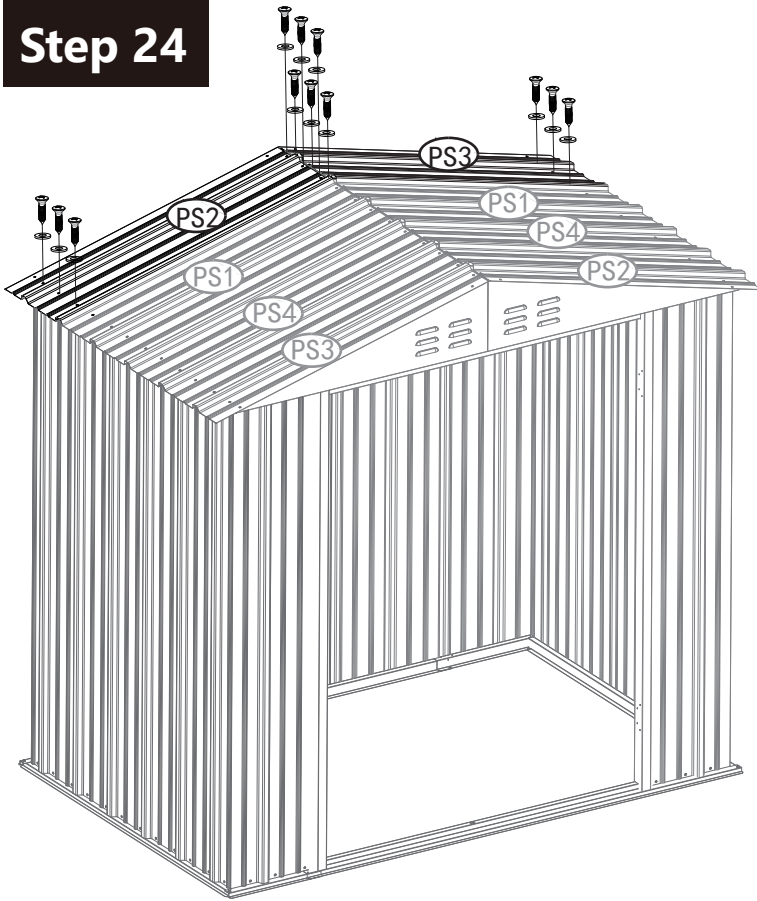
Step 23

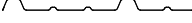
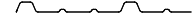
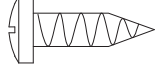



PS4	
PS1	
F1	
V2	
	2 PC
	2 PC
	12 PC
	12 PC

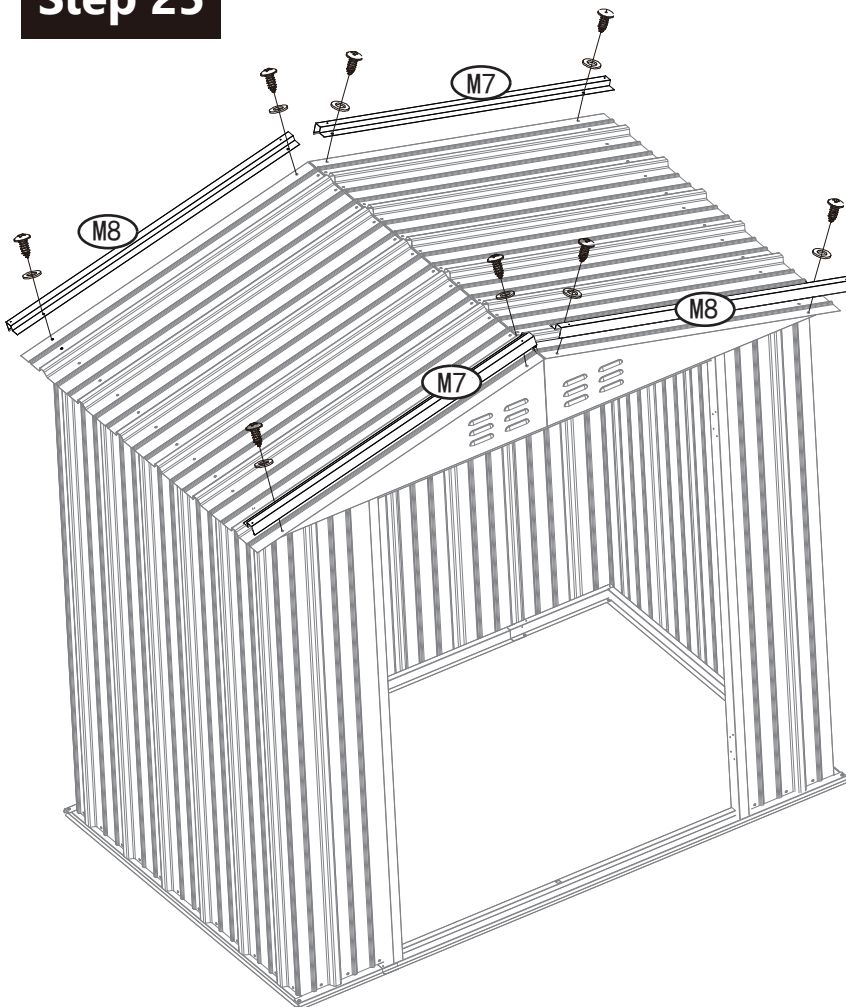
PRODUCT ASSEMBLY


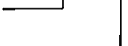
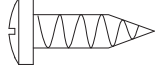

Step 24



PS2		1 PC
PS3		1 PC
F1		12 PC
V2		12 PC

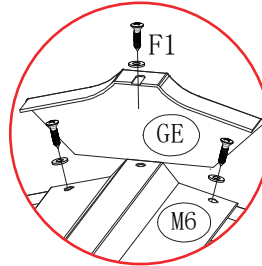
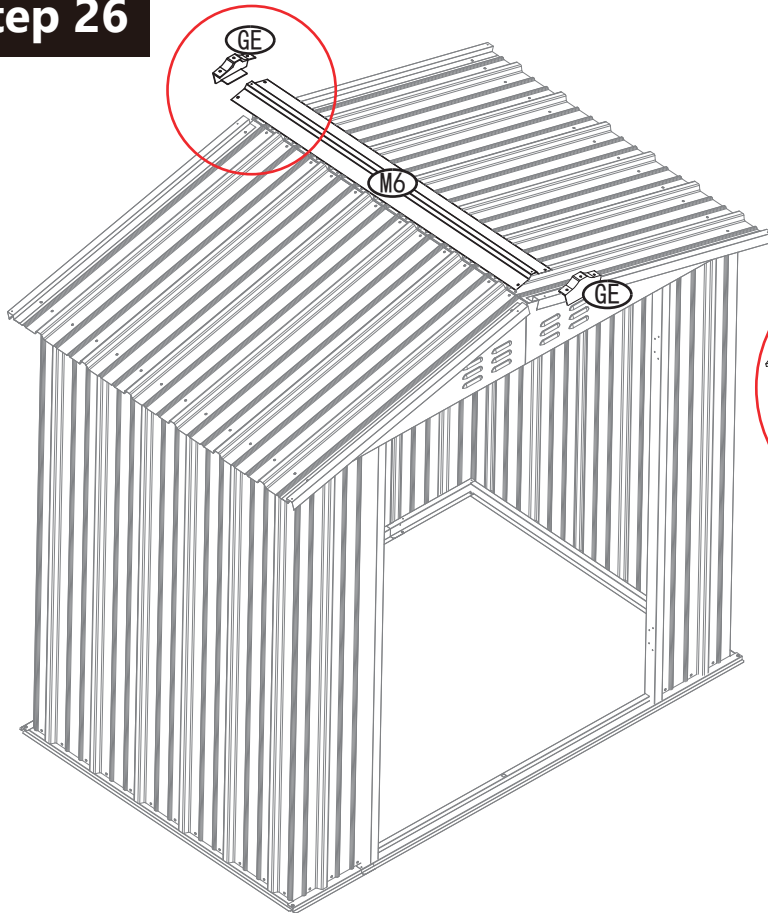
Step 25



M7		2 PC
M8		2 PC
F1		8 PC
V2		8 PC

PRODUCT ASSEMBLY

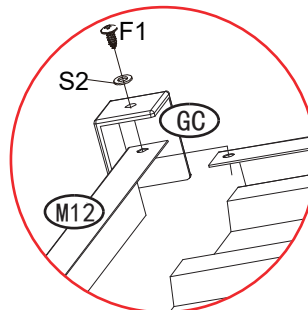
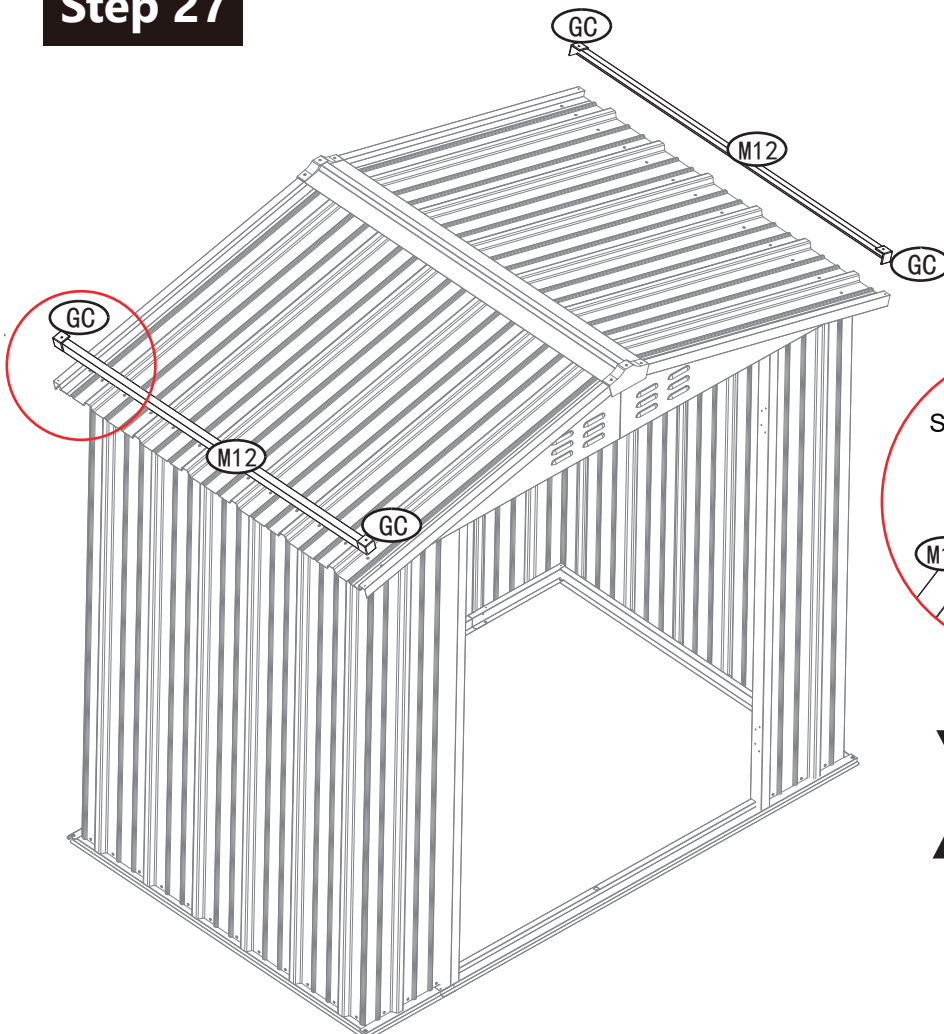
Step 26



X2

GE		2 PC
M6		1 PC
F1		6 PC
V2		6 PC

Step 27

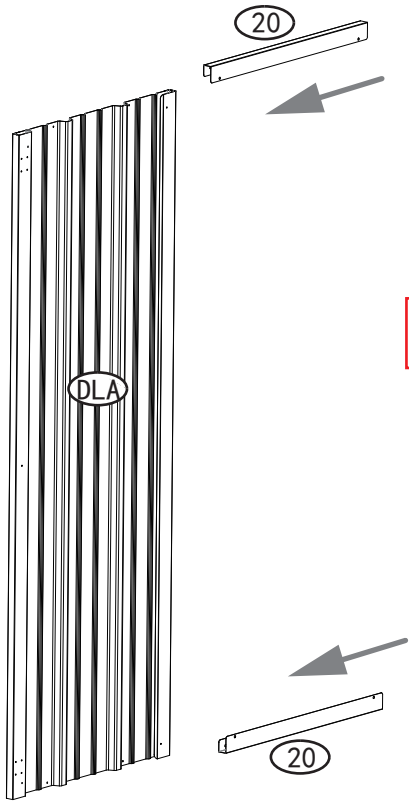


X4

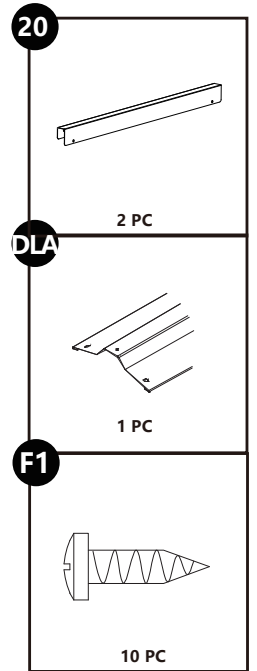
M12		2 PC
GC		4 PC
F1		8 PC
V2		8 PC

PRODUCT ASSEMBLY

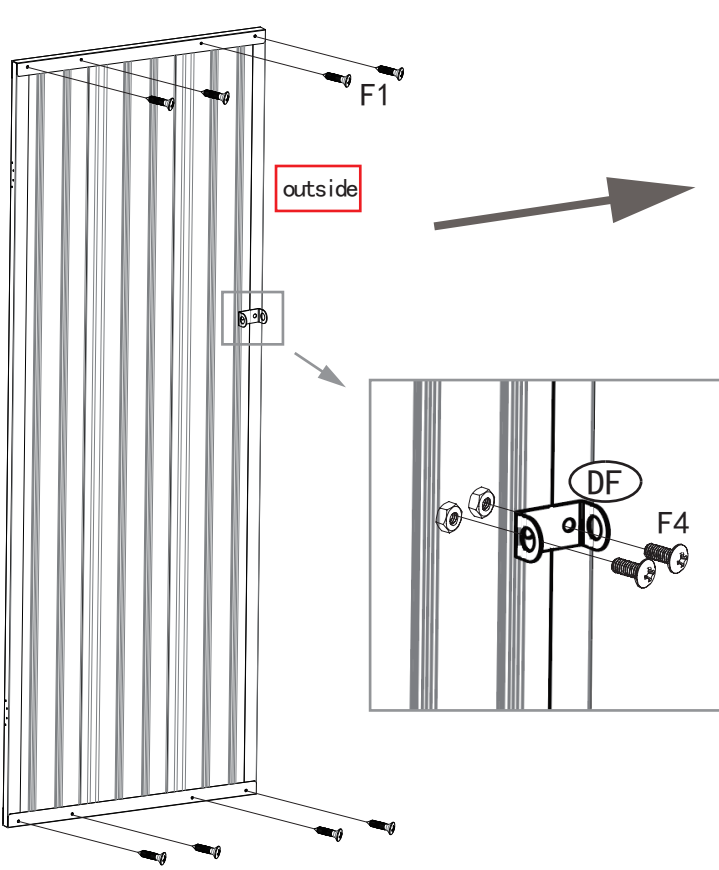
Step 28



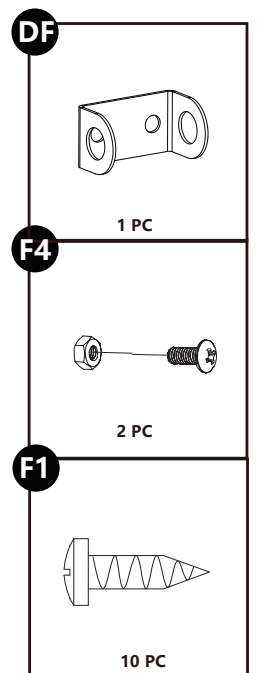
Note: make clear the front and back of the door panel



Step 29

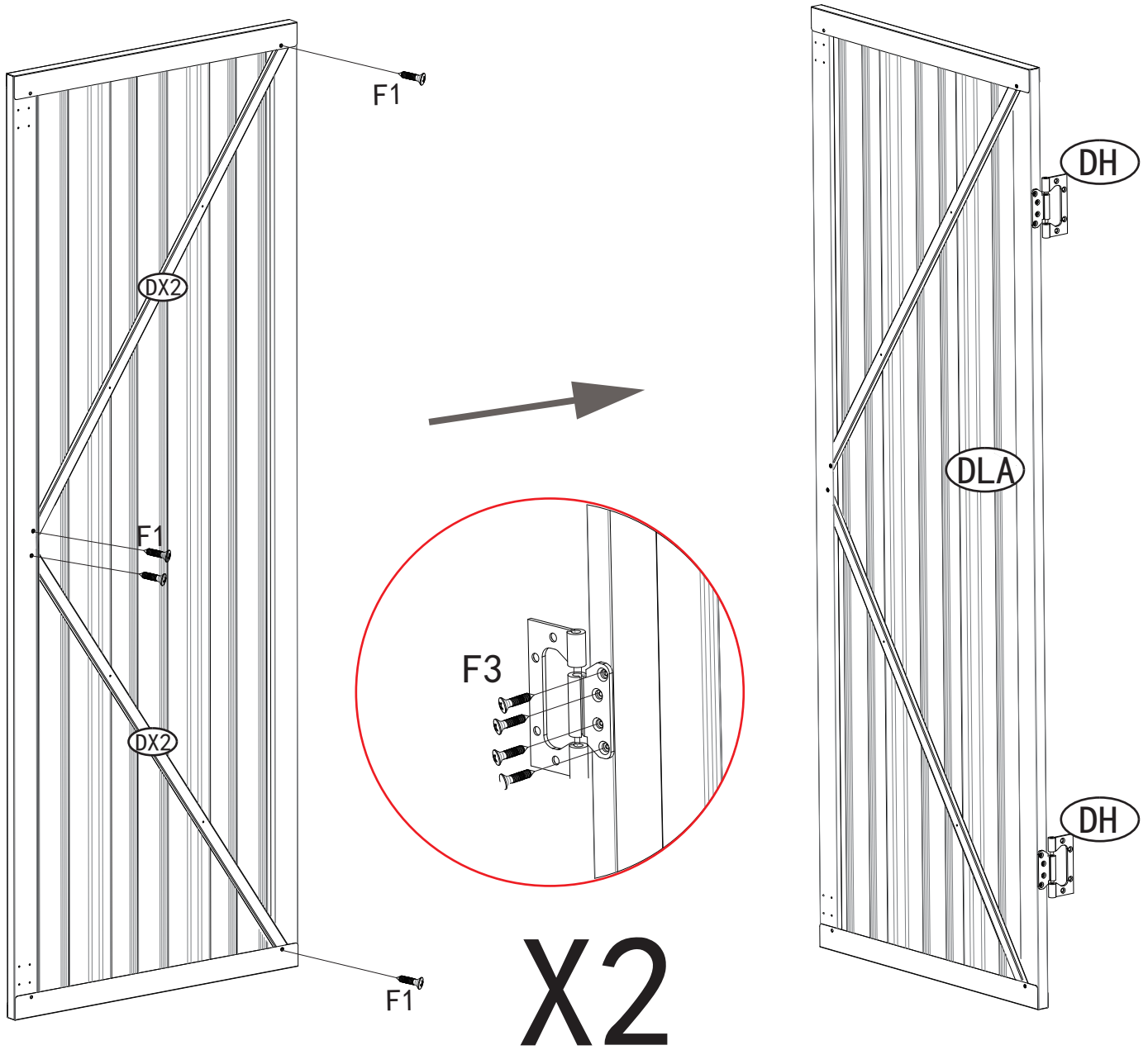



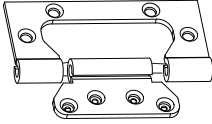
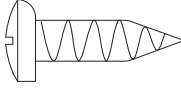
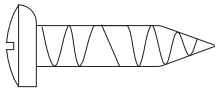
inside



PRODUCT ASSEMBLY

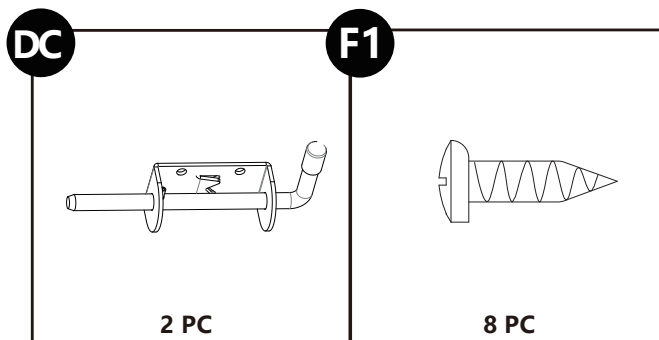
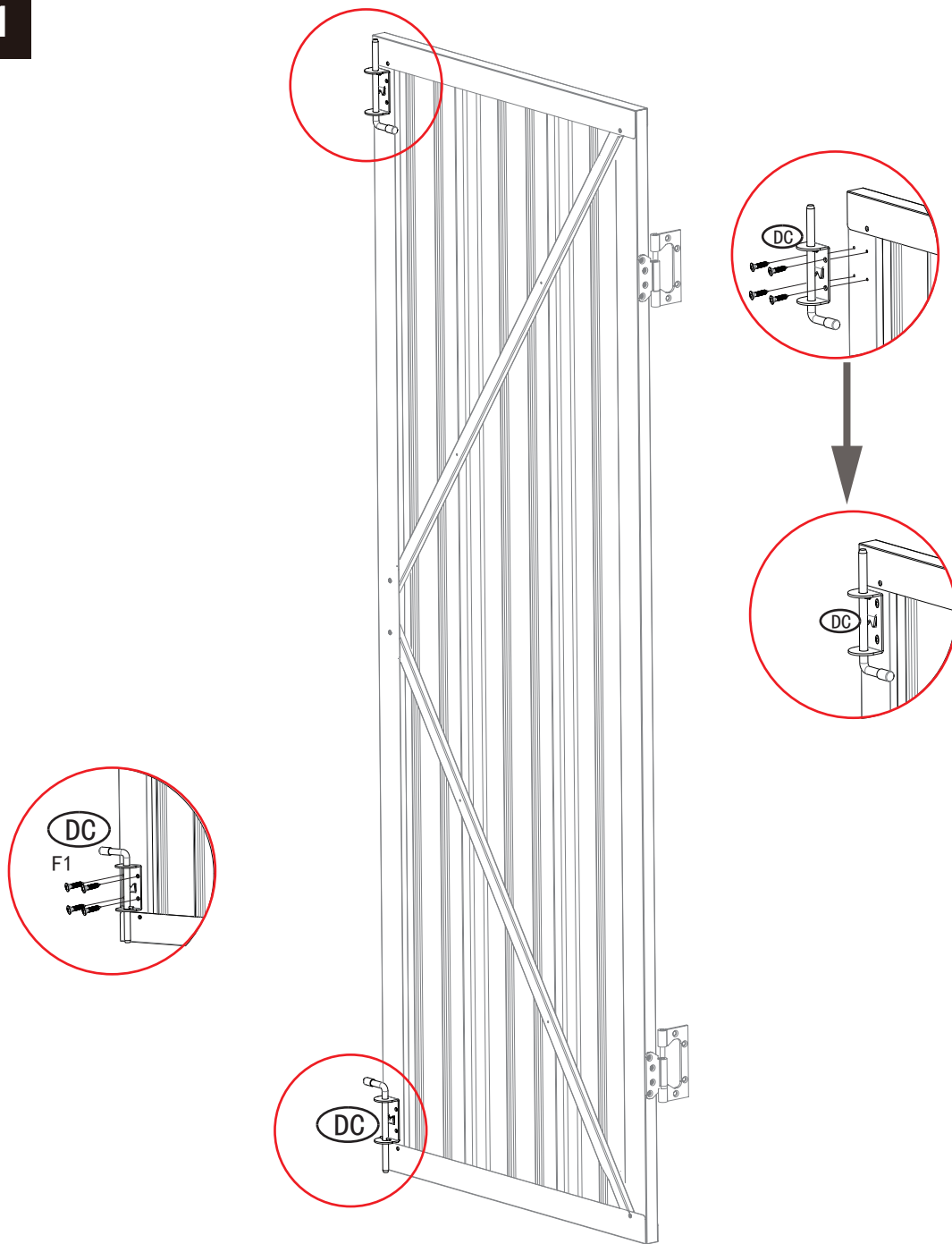
Step 30



DX2	DH	F1	F3
			
2 PC	2 PC	4 PC	8 PC

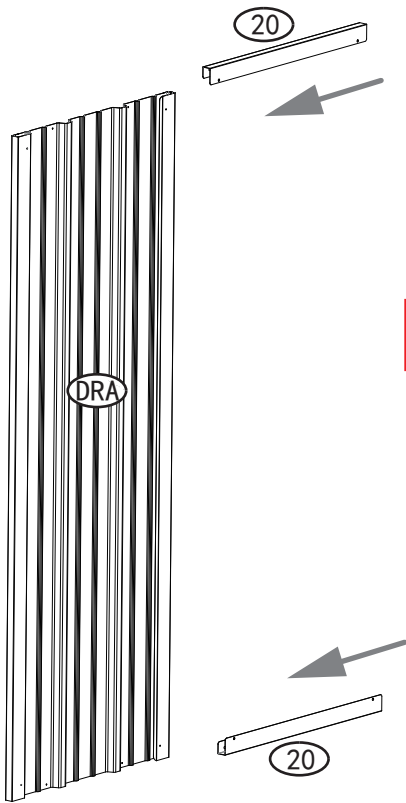
PRODUCT ASSEMBLY

Step 31

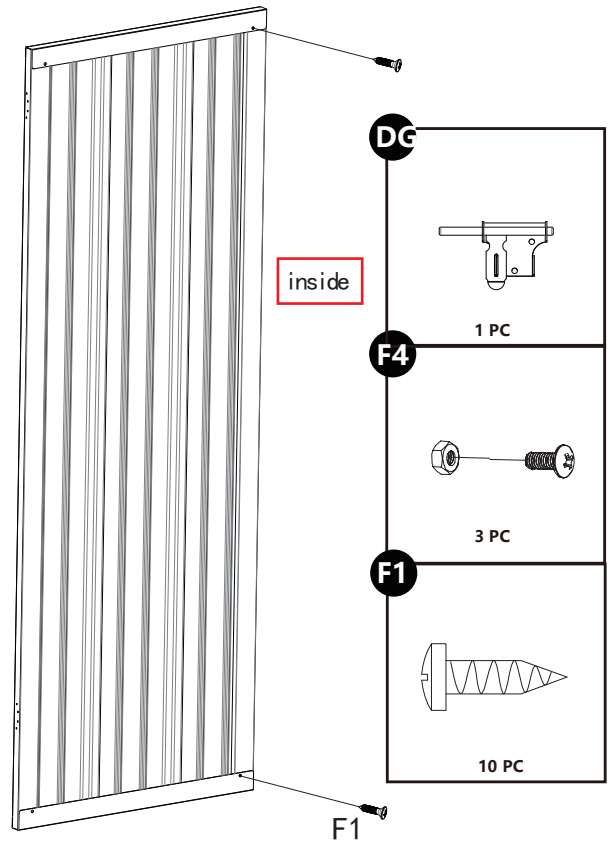
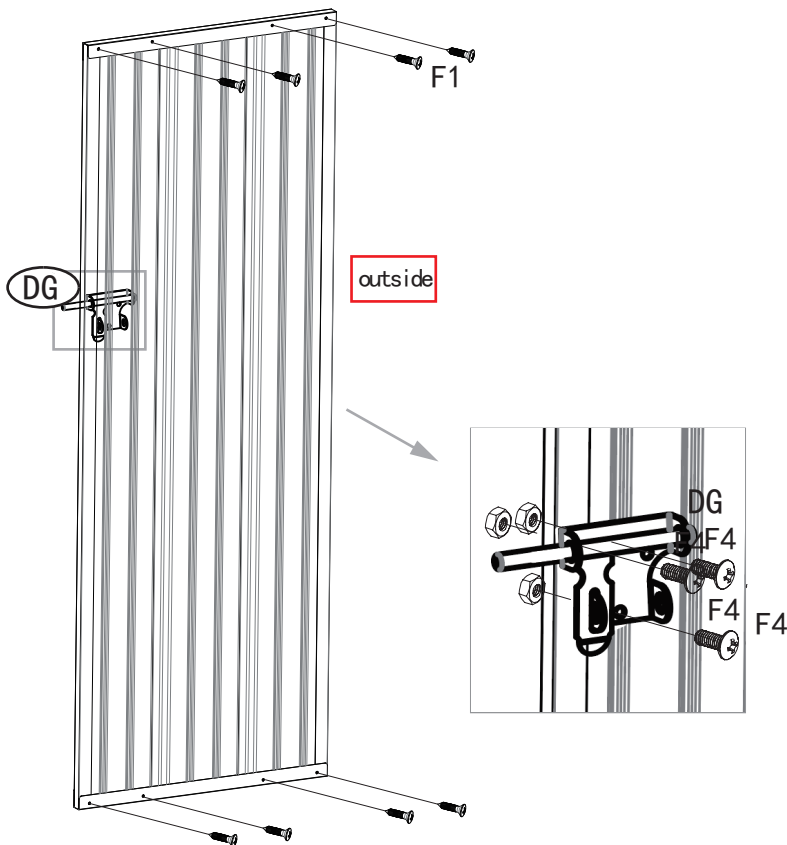
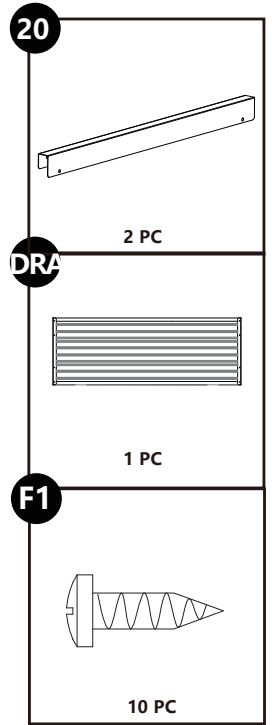


PRODUCT ASSEMBLY

Step 32

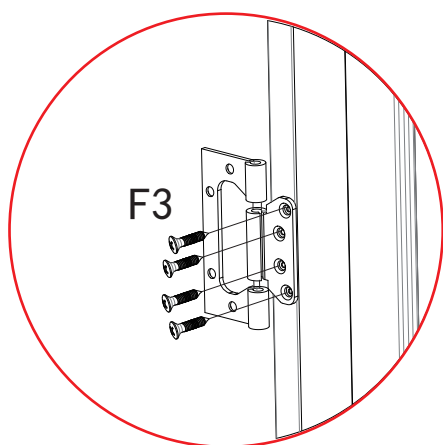


Note: make clear the front and back of the door panel

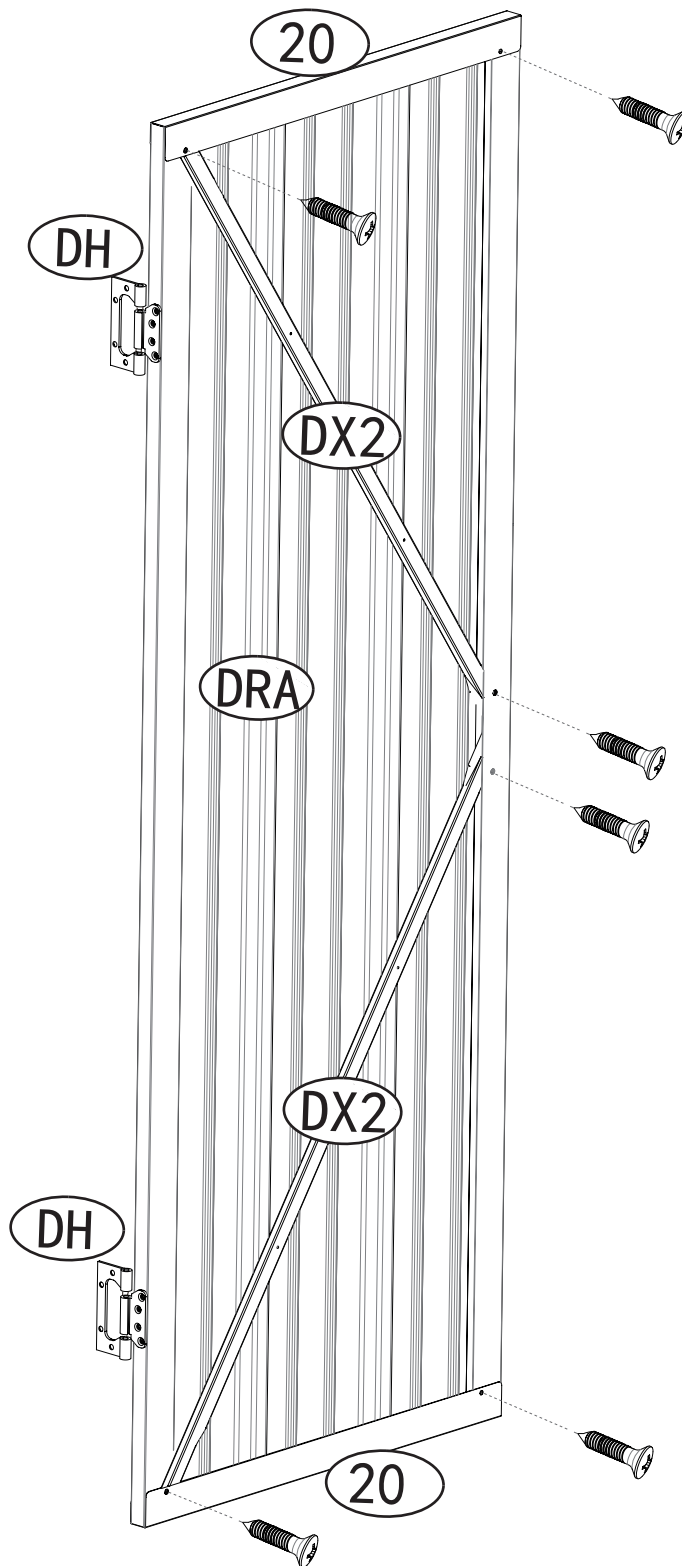



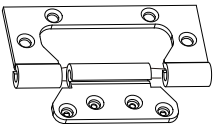
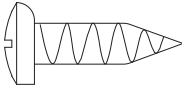
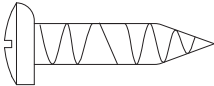
PRODUCT ASSEMBLY

Step 33



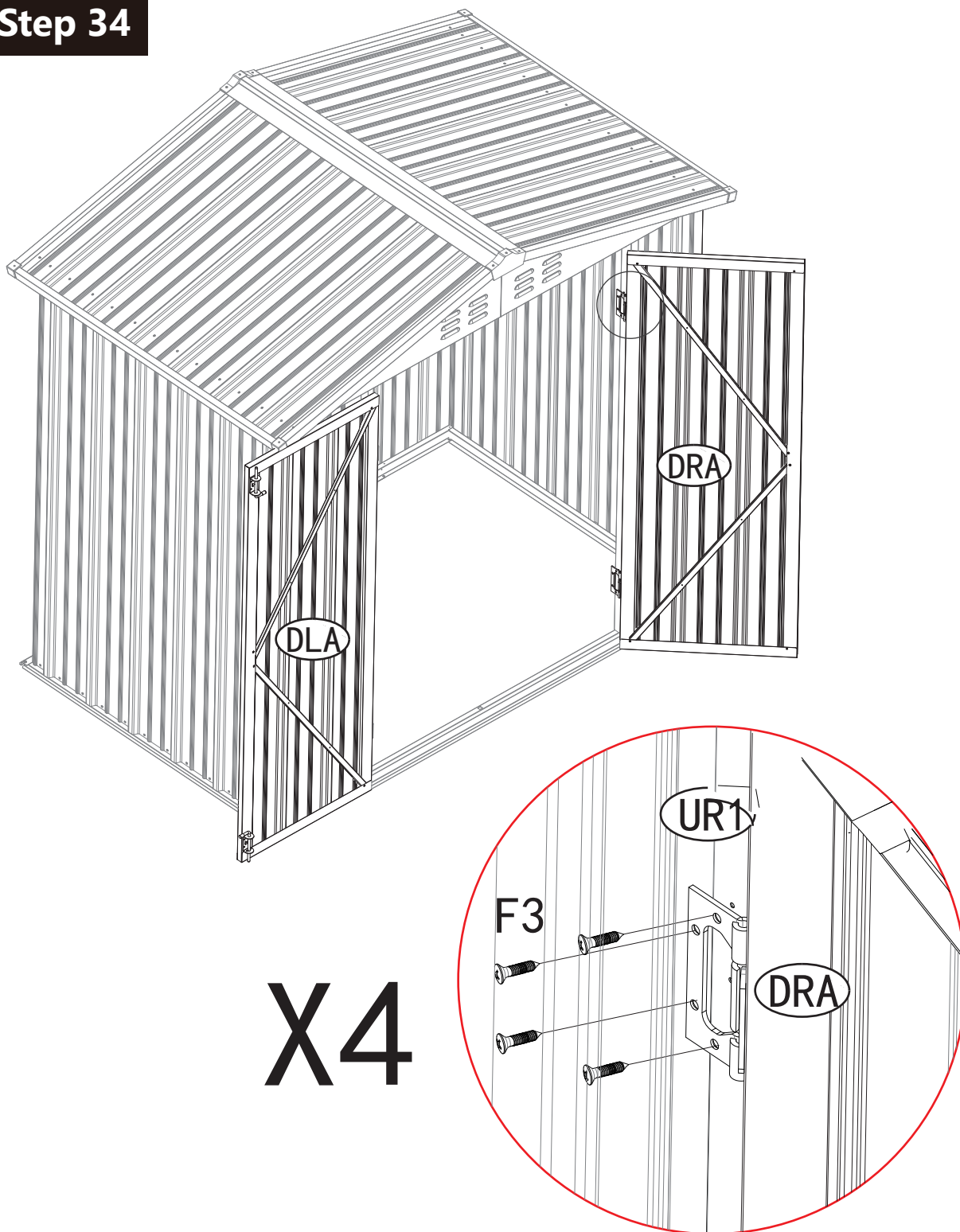
X2

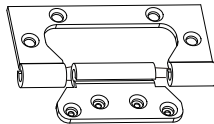
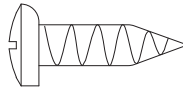
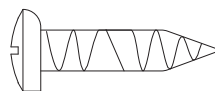


DX2	DH	F1	F3
			
2 PC	2 PC	4 PC	8 PC

PRODUCT ASSEMBLY

Step 34



 DLA	 DLA	 F3
1 PC	1 PC	16 PC

AFTER-SALE SERVICE

If you have any suggestions for our products or find that the products have quality problems, please contact us first, our after-sales team will reply you within 24 hours, and we will do our best to give you solutions until you are satisfied.

Guaranteed Customer Service

Your shopping experience is very important to us!
Feel unsatisfied? **Contact us!**
Have any questions? **Contact us!**

Wanna Share how wonderful our smart promakes your home?
Share your pictures with us.
Any suggestions? **Contact us!**
We gotcha back!



Patiofurniture Serviceteam@outlook.com

