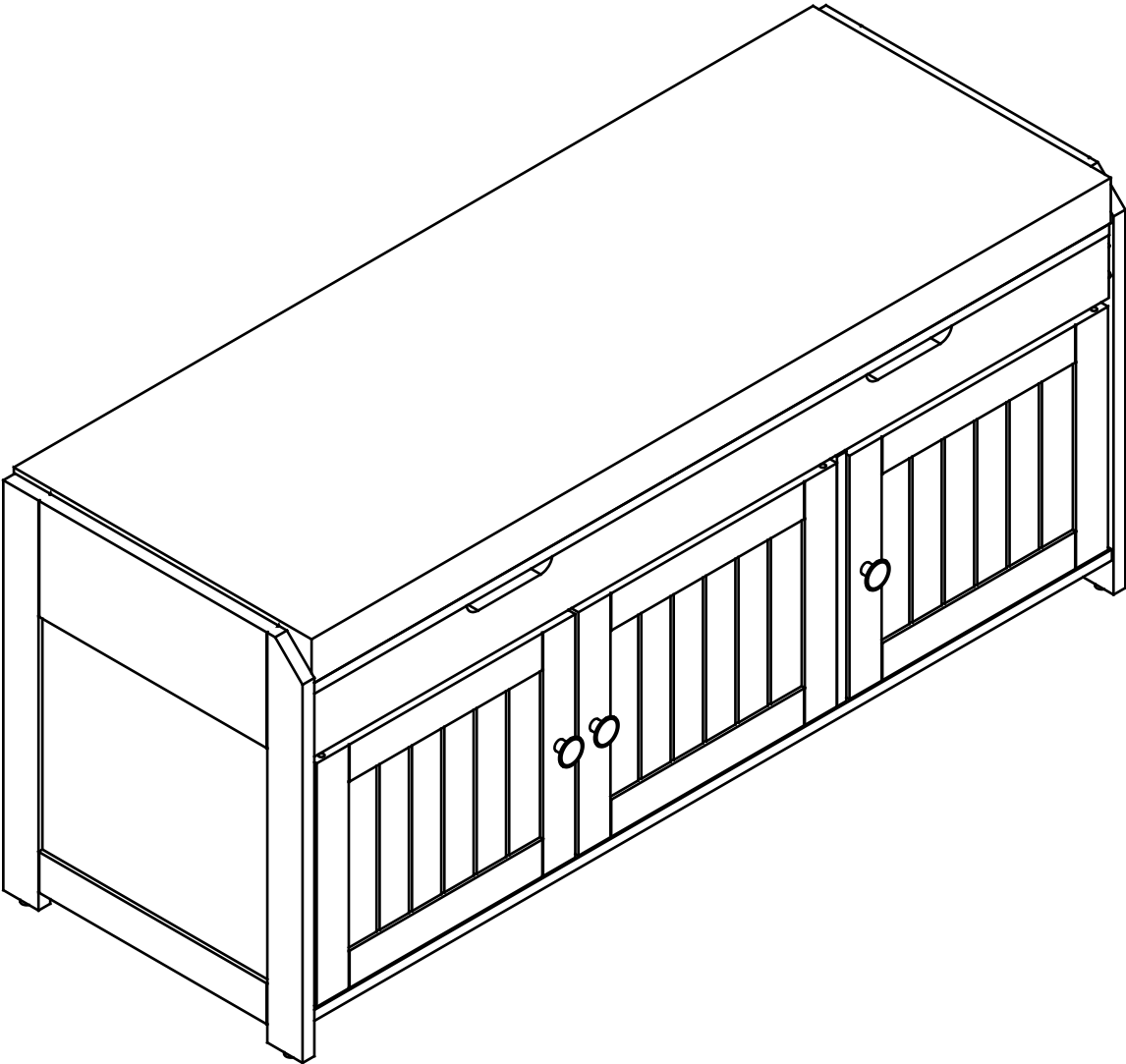


Shoe Bench

ASSEMBLY INSTRUCTIONS



General Guidelines

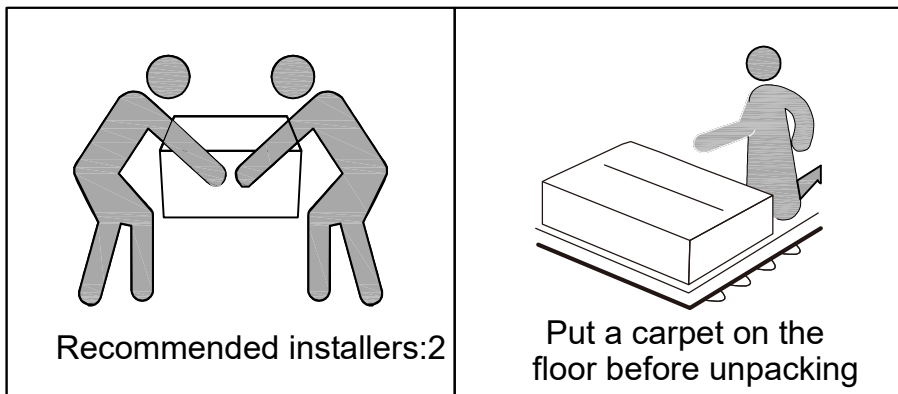
- * Please read the following instruction carefully and use the product accordingly.
- * Please keep this manual and hand it over when you transfer the product.
- * This summary may not include every detail of all variations and considered steps. Please contact us when further information and help are needed.

Notes

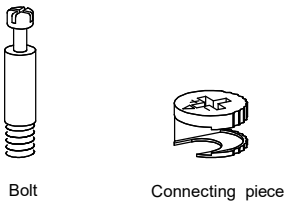
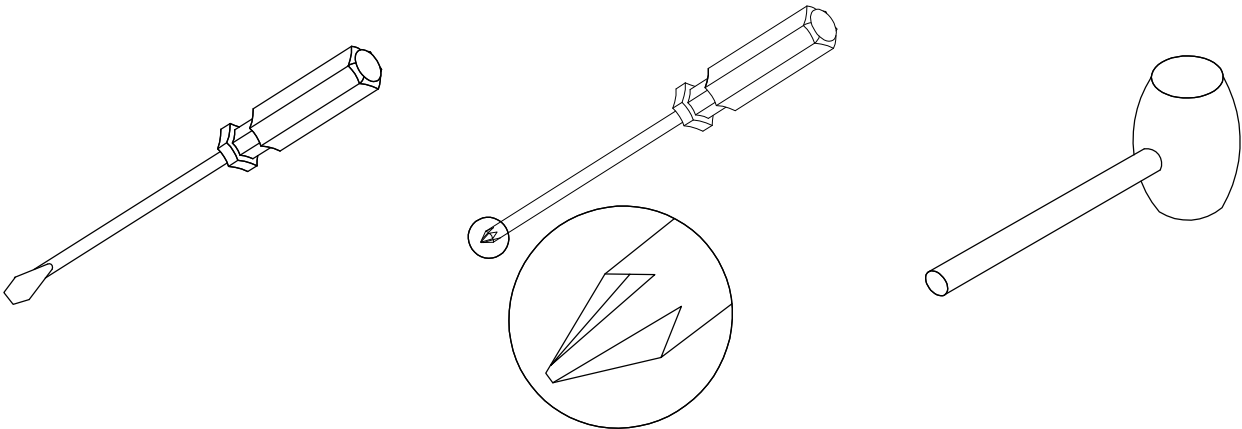
- * The product is intended for indoor use only. The product must be assembled and used in accordance with the provisions of the manual. Personal injury and/or damage to product may occur if products are used outside of their intended purposes and/or if products have been changed/modified from their original design. The seller does not assume any responsibility or liability with respect to any injury/damage caused by incorrect assembly or improper use.
- * If there are any defective or missing parts after unpacking, please cease assembly immediately and contact us.
- * Please wear gloves during the assembly and/or disassembly process to avoid scratches from any sharp edges..
- * Please place this item on level, solid ground during use.
- * Avoid long-term exposure to humid environments to prevent mildew.
- * Keep the product away from fire sources and high temperatures. Do not expose the product to direct sunlight.
- * Do not place any hot objects on the surface of the product.
- * **Do not fully tighten the screws during initial assembly. Fully tighten screws only once all pieces which are correctly assembled**

Warnings

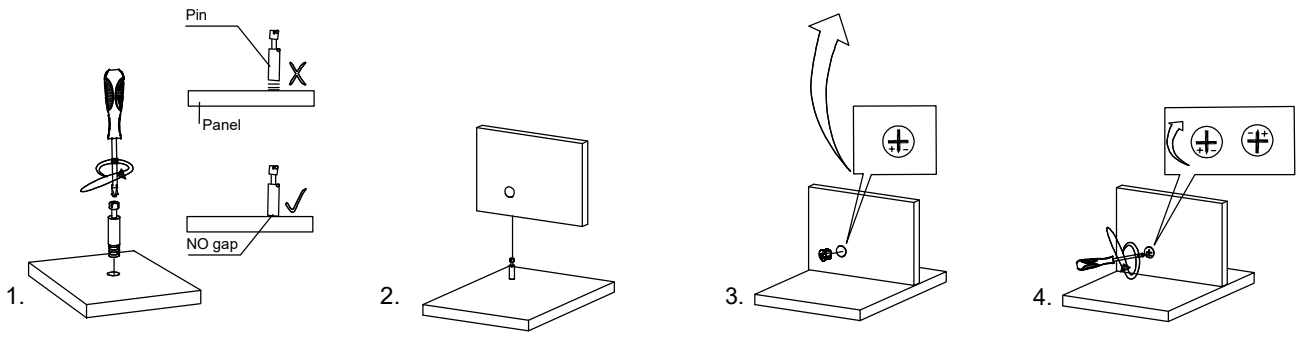
- * Children are not allowed to assemble the product. During assembly, keep all any small parts out of the reach of children as they may be fatal if swallowed or inhaled.
- * Children are forbidden to climb or play on the product to avoid serious bodily injury caused by the toppling.
- * Keep plastic packing bags out of reach of children to avoid any potential danger, such as suffocation.



ASSEMBLY TOOLS REQUIRED (NOT INCLUDED)

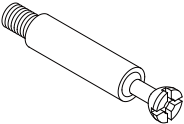


Adjust connecting piece direction until it is properly lined up with the hole.	Insert bolt when connecting piece direction is properly lined up.



Hardware Provided

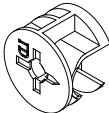
1



Φ6*35mm

X 17

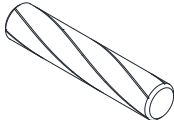
2



Φ15*10mm

X 17

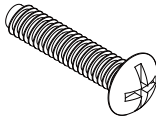
3



Φ6*30mm

X 29

4



M4*16mm

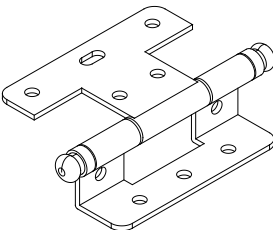
X 3

5



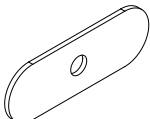
X 3

6



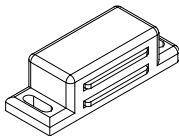
X 2

7



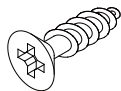
X 3

8



X 2

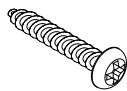
9



M3*10mm

X 3

10

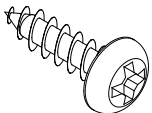


M4*40mm

X 9

Hardware Provided

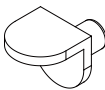
11



M4*12mm

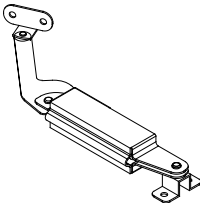
X 8

12



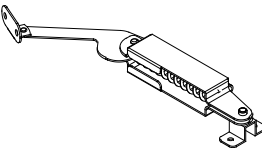
X 4

13



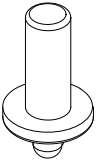
X 1

14



X 1

15



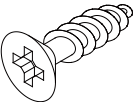
X 6

16



X 8

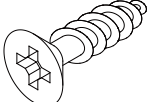
17



M3*12mm

X 4

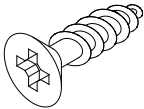
18



M3*14mm

X 8

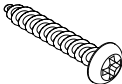
19



M4*10mm

X 18

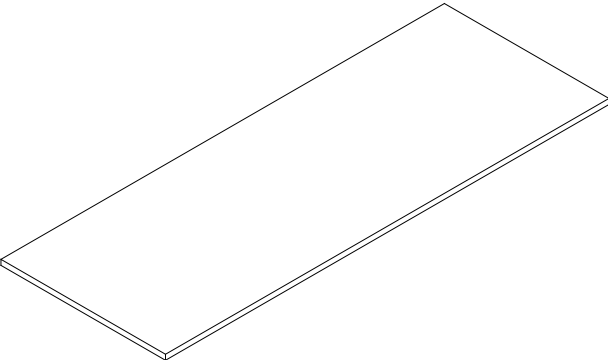
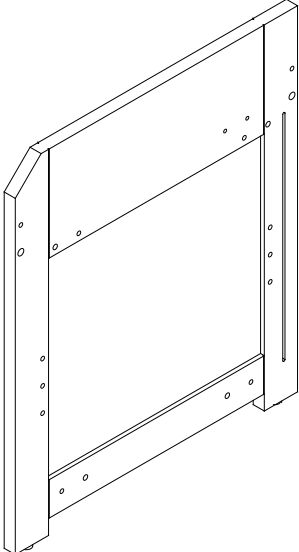
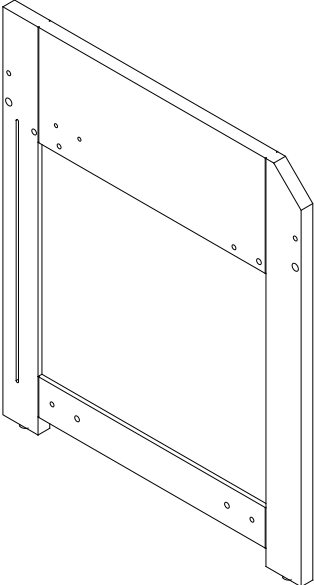
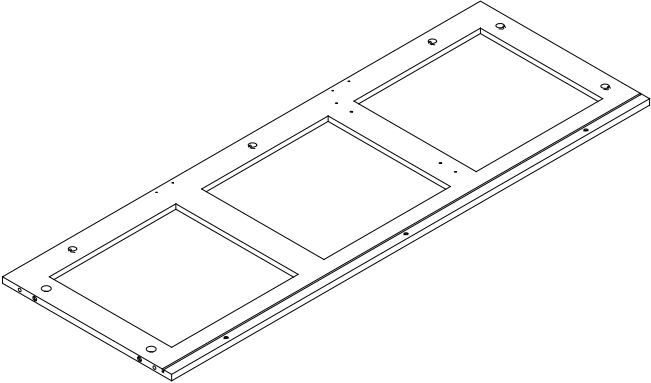
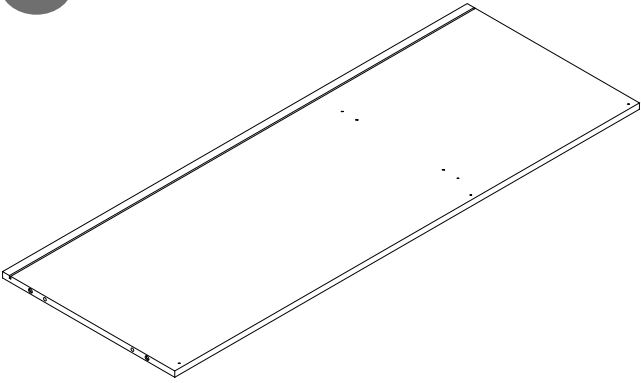
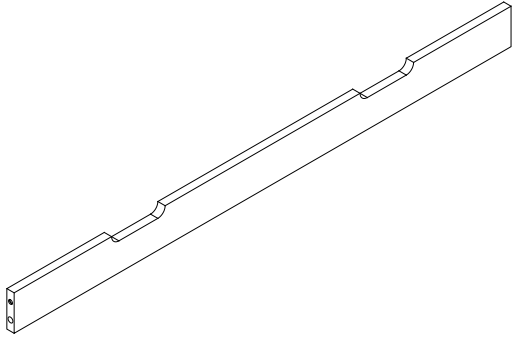
20



M4*30mm

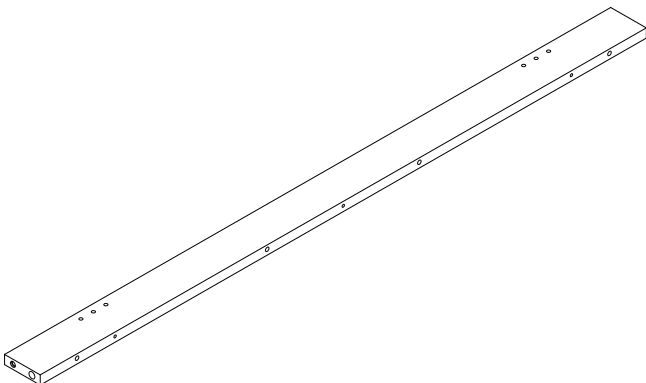
X 1

Parts Identification

<p>A</p>  <p>X 1</p>	<p>B</p>  <p>X 1</p>
<p>C</p>  <p>X 1</p>	<p>D</p>  <p>X 1</p>
<p>E</p>  <p>X 1</p>	<p>F</p>  <p>X 1</p>

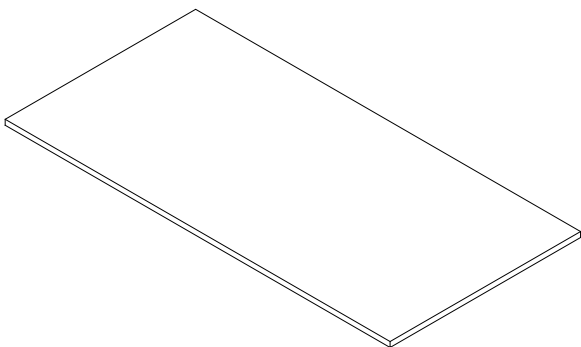
Parts Identification

G



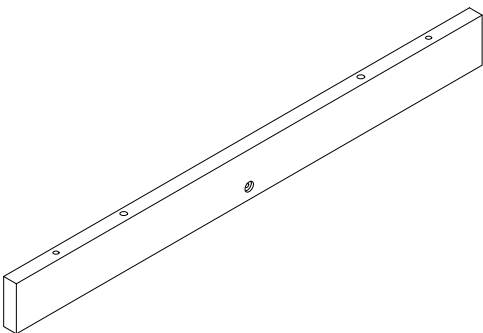
X 1

H



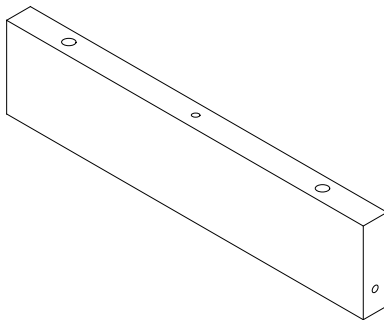
X 1

J



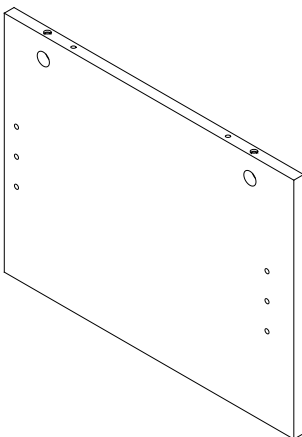
X 1

K



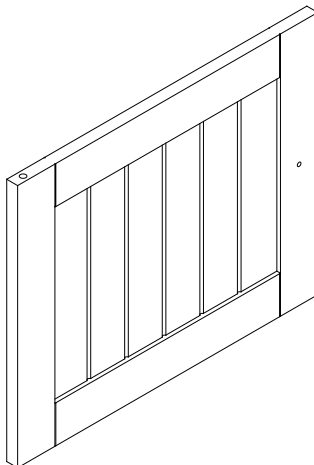
X 1

L



X 1

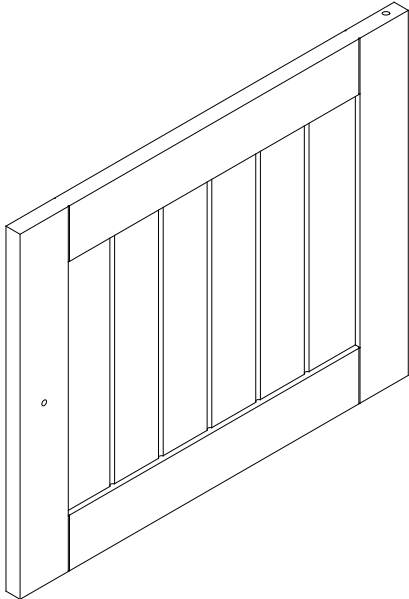
M



X 1

Parts Identification

N



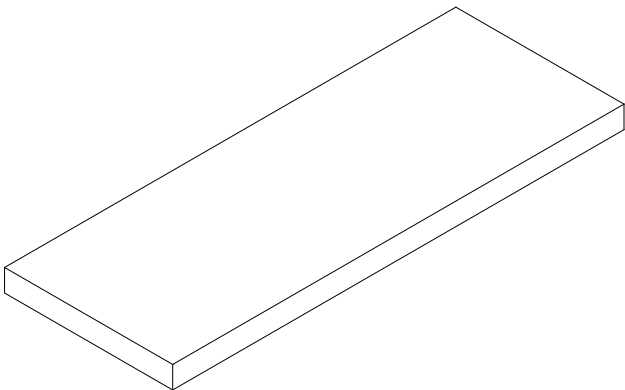
X 2

O



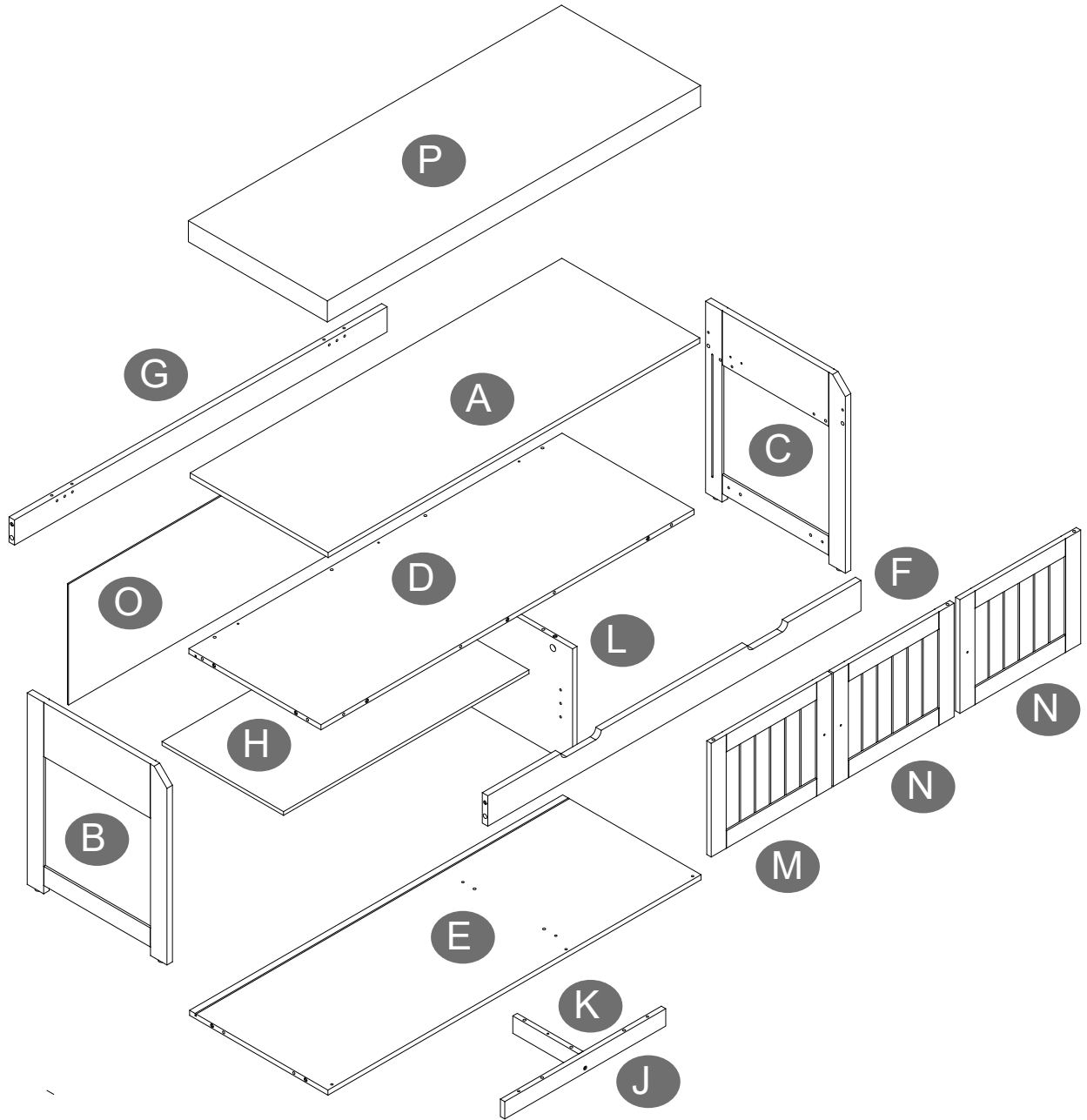
X 1

P

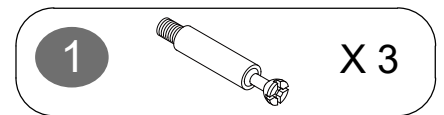
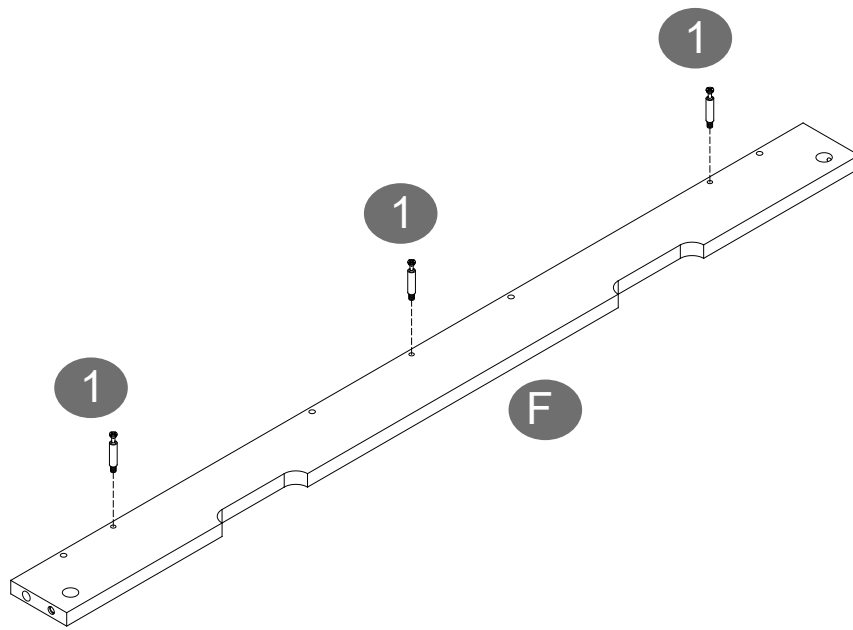


X 1

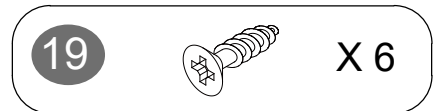
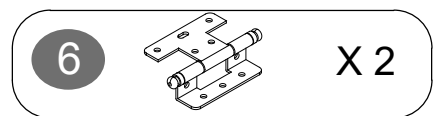
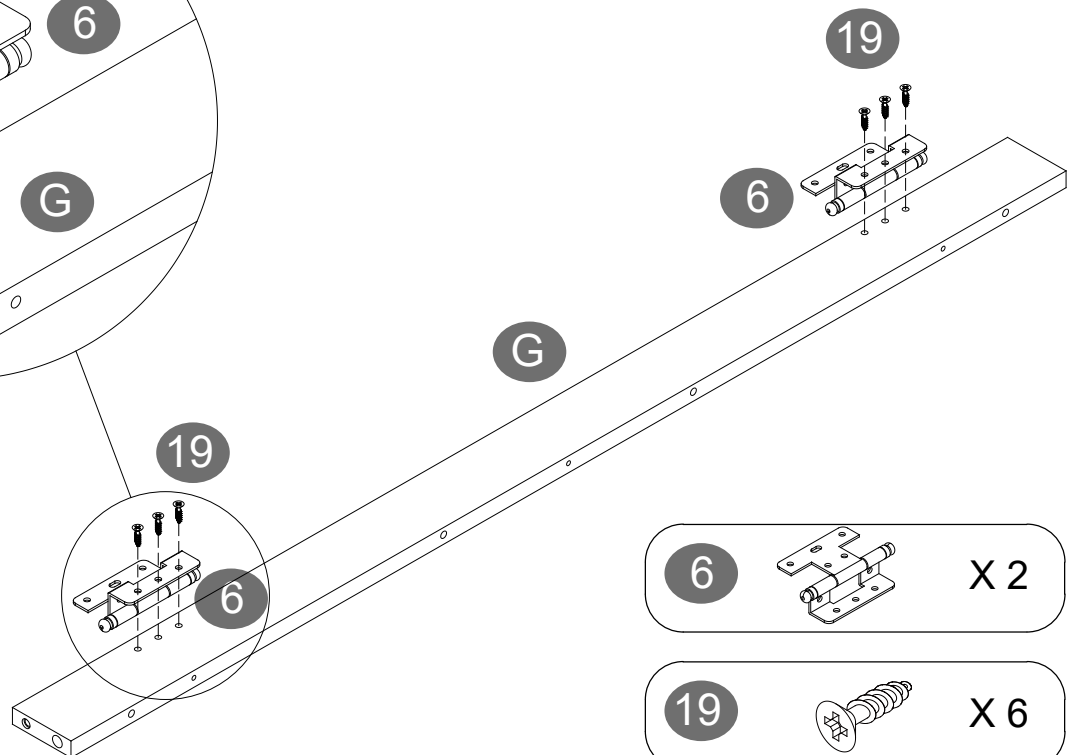
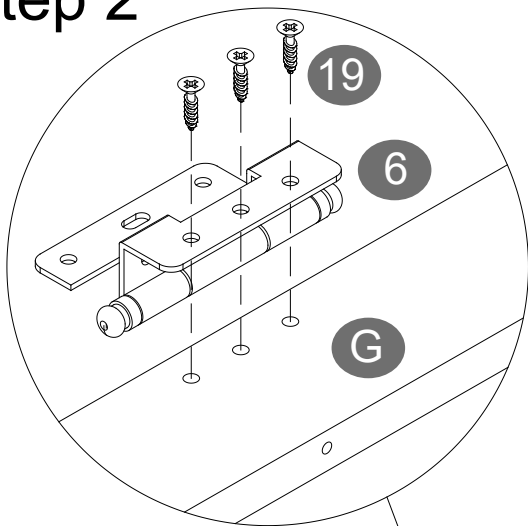
Exploded View



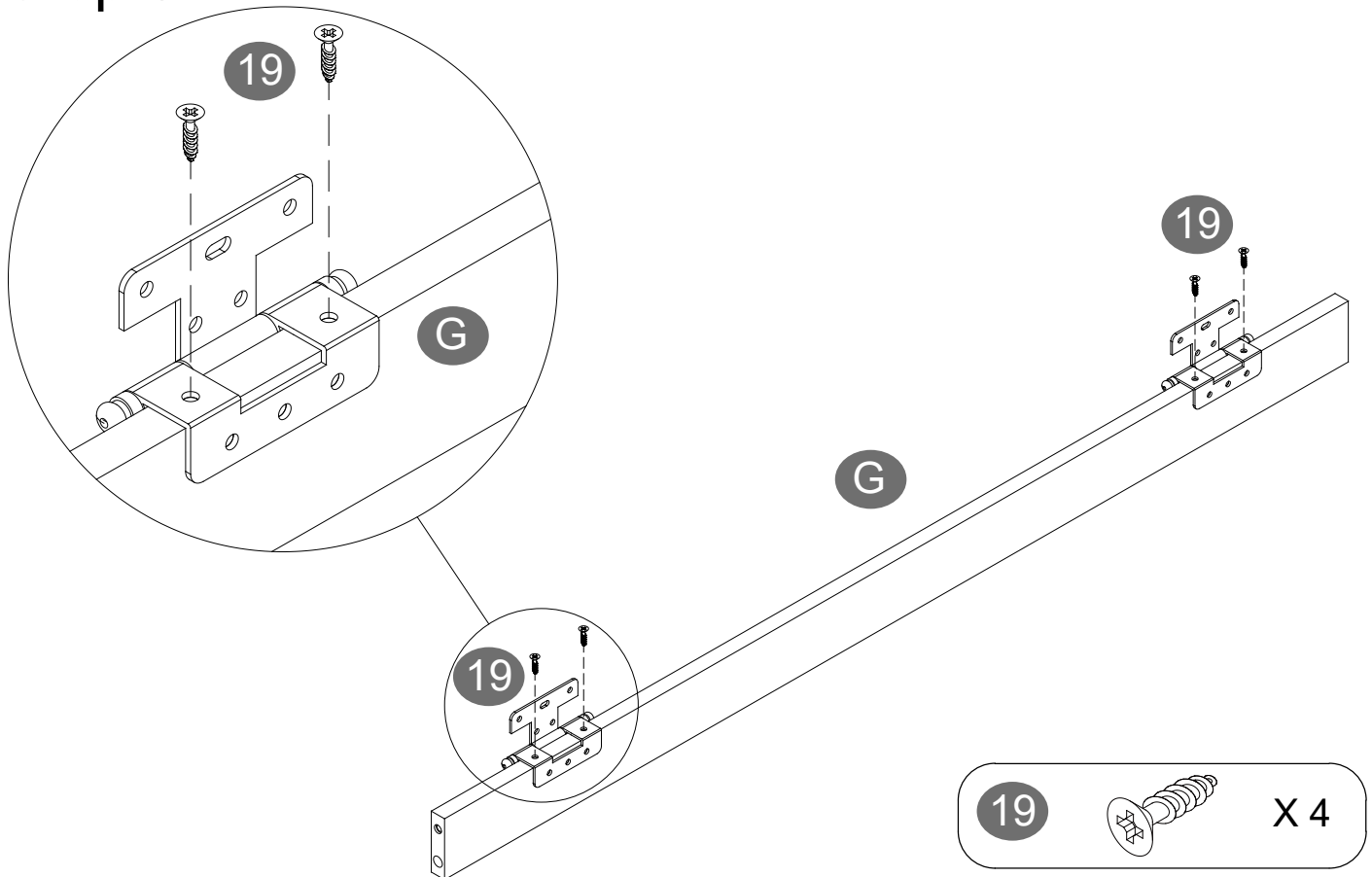
Step 1



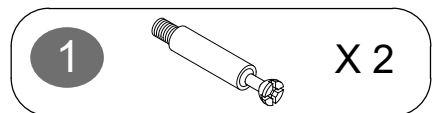
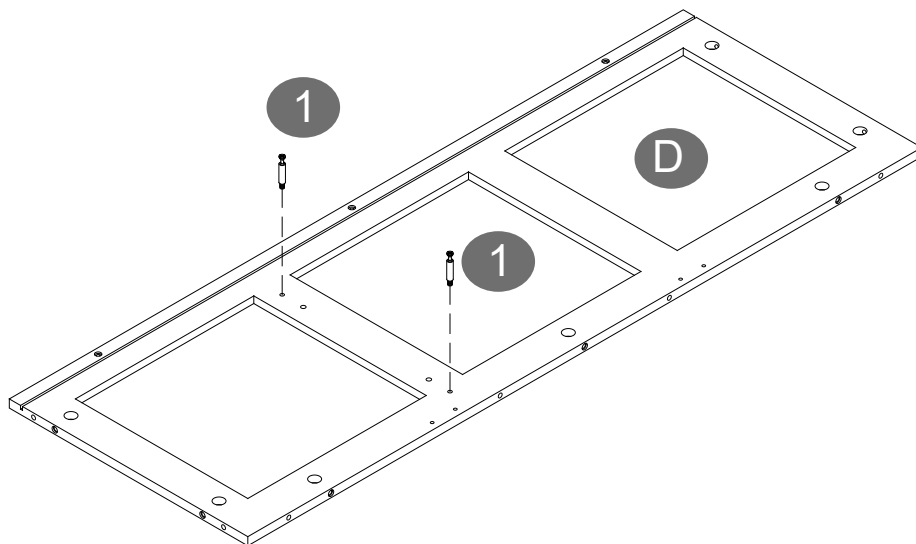
Step 2



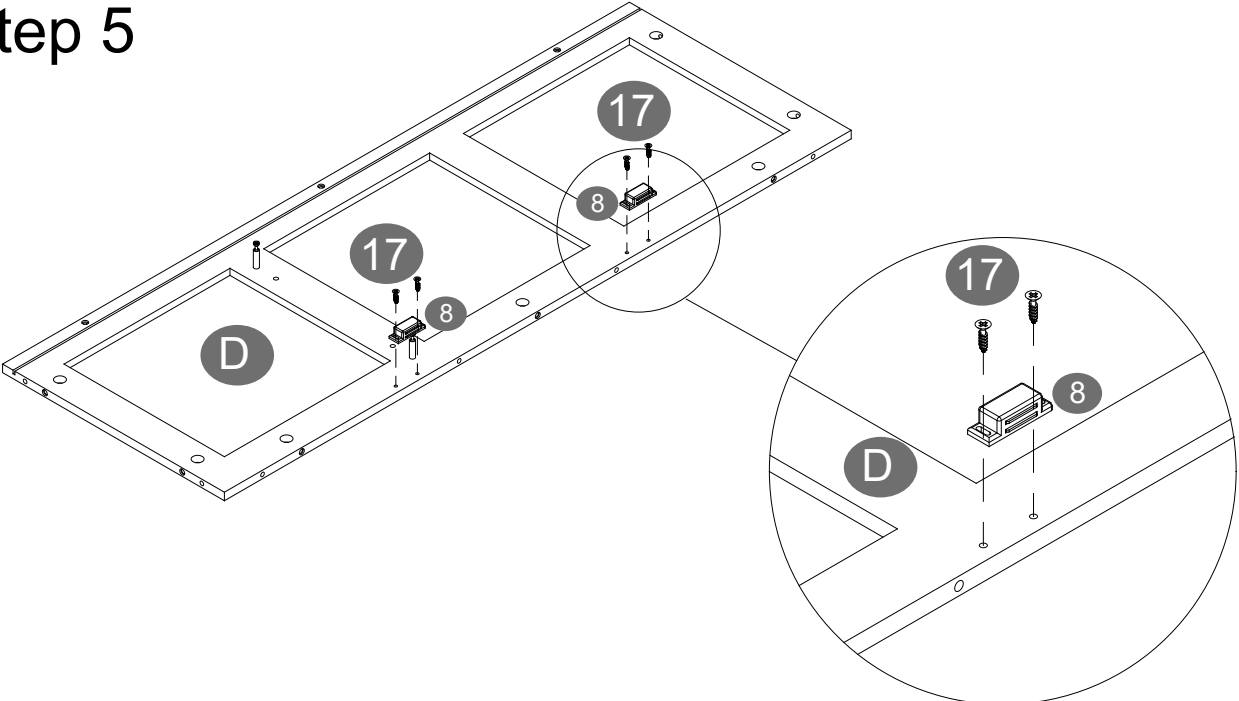
Step 3

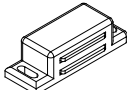


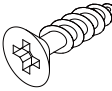
Step 4



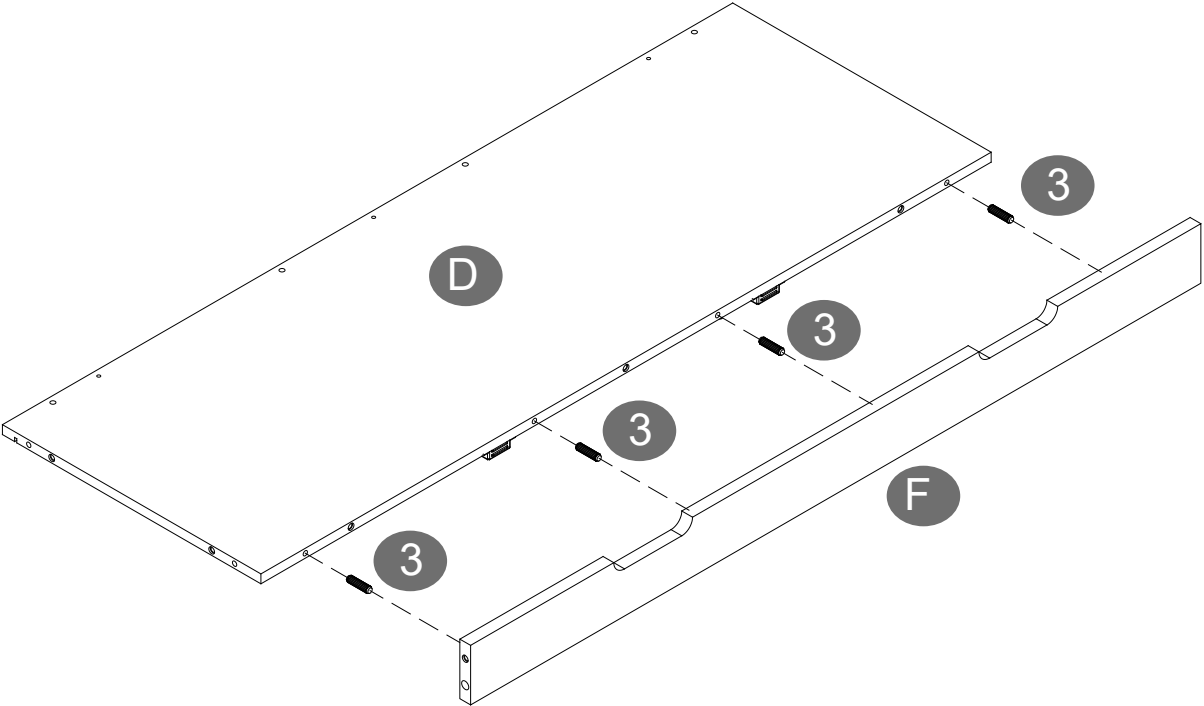
Step 5




8  X 2

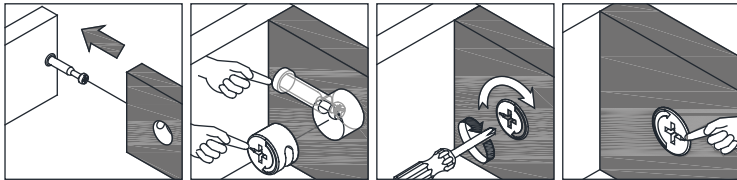
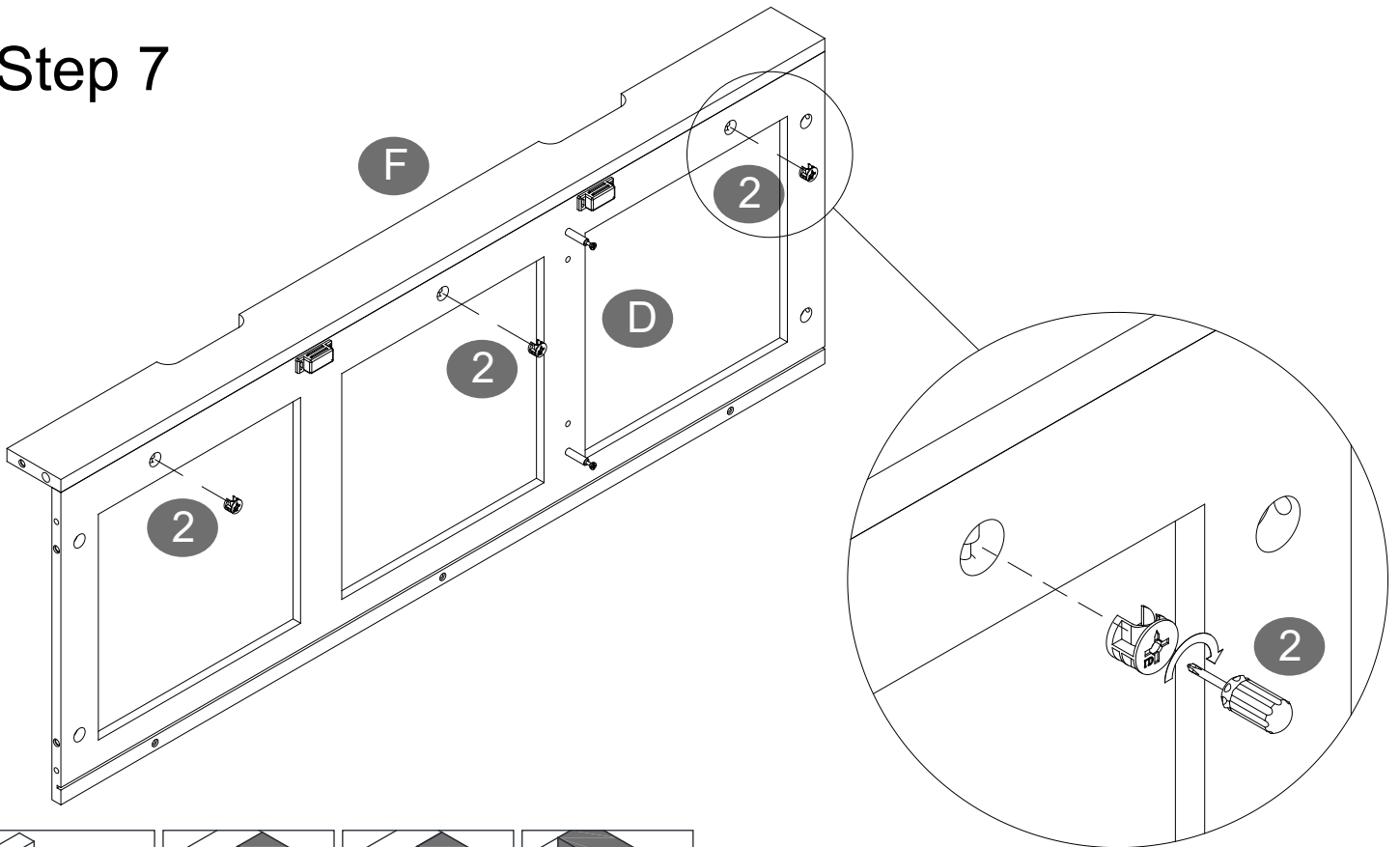
17  X 4

Step 6

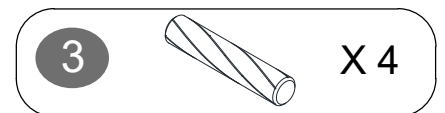
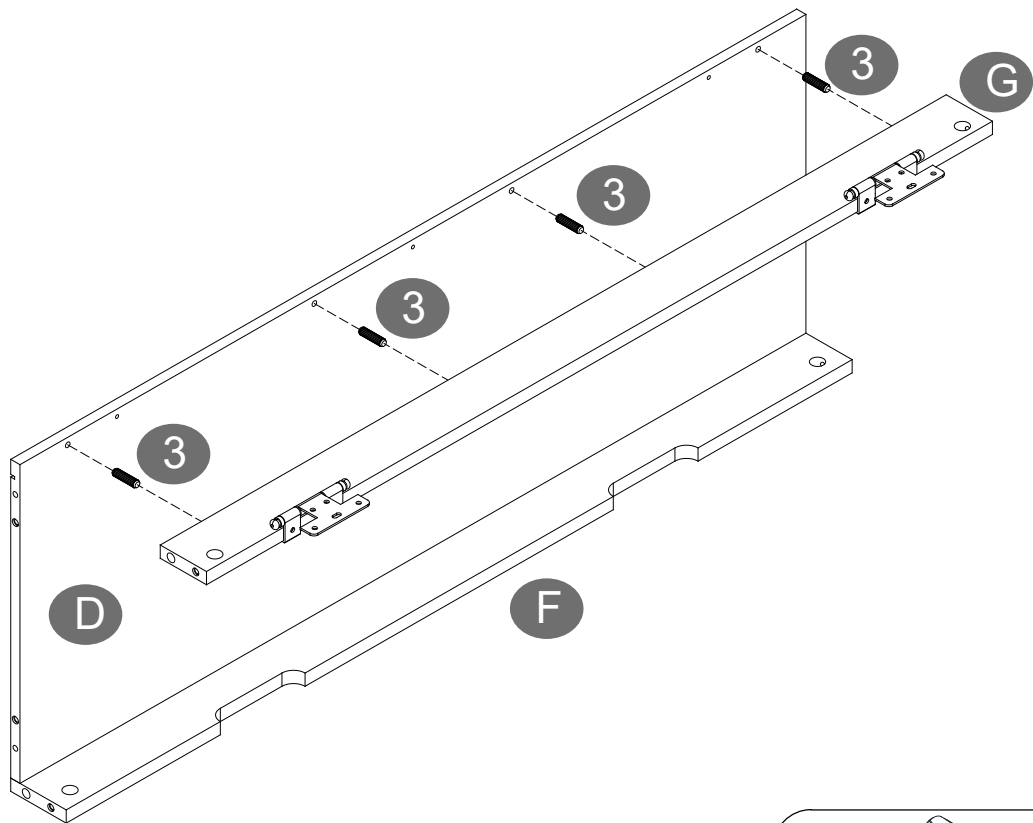


3  X 4

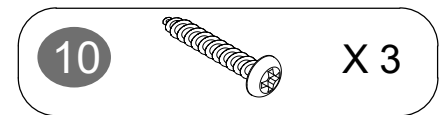
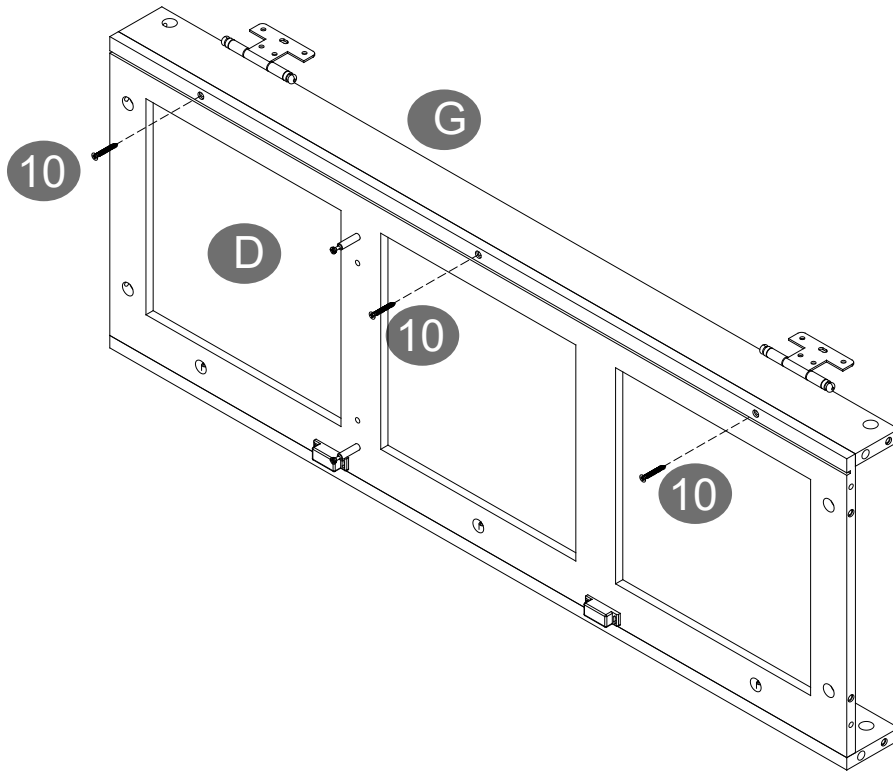
Step 7



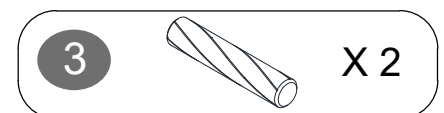
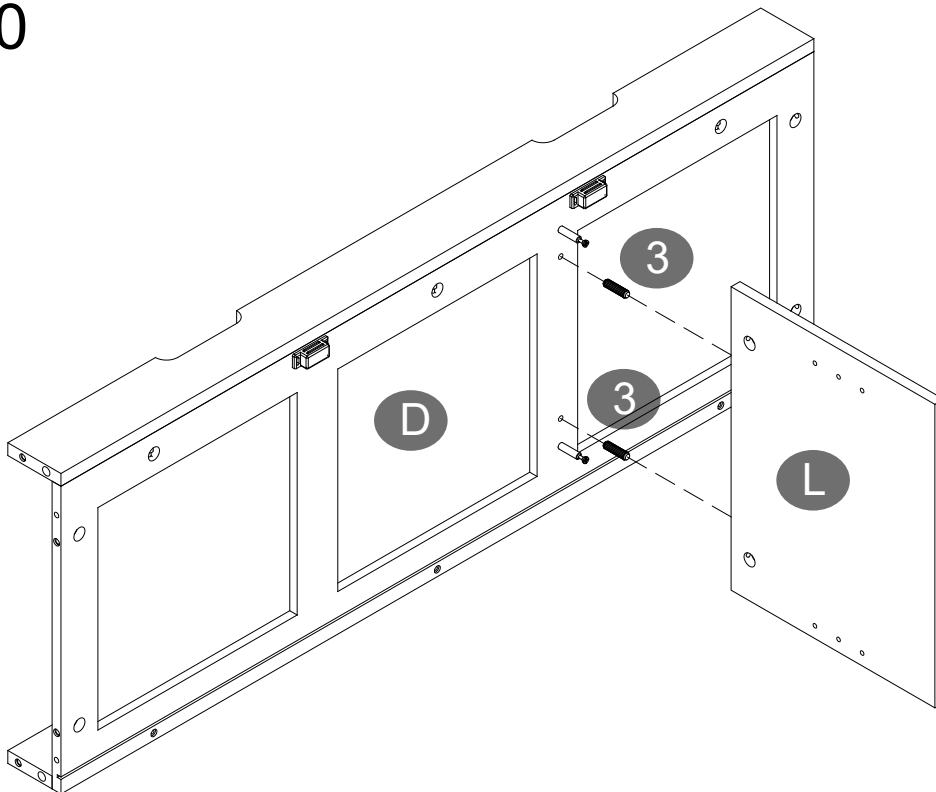
Step 8



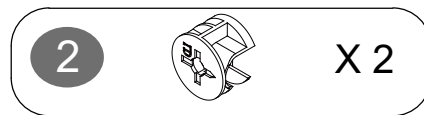
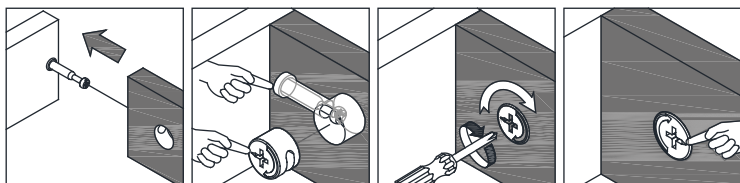
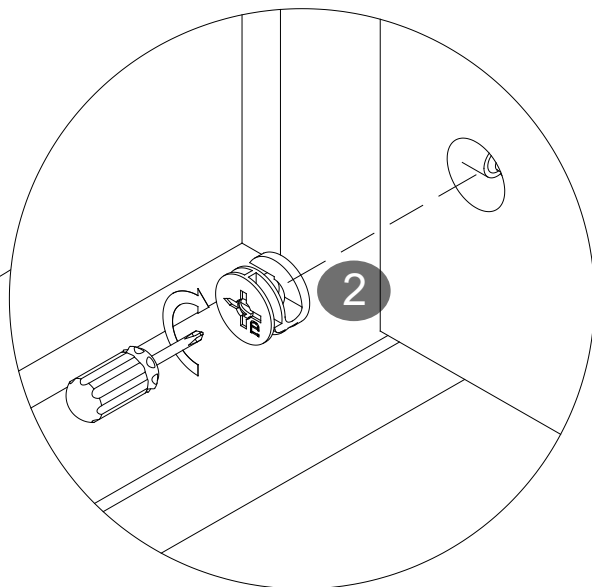
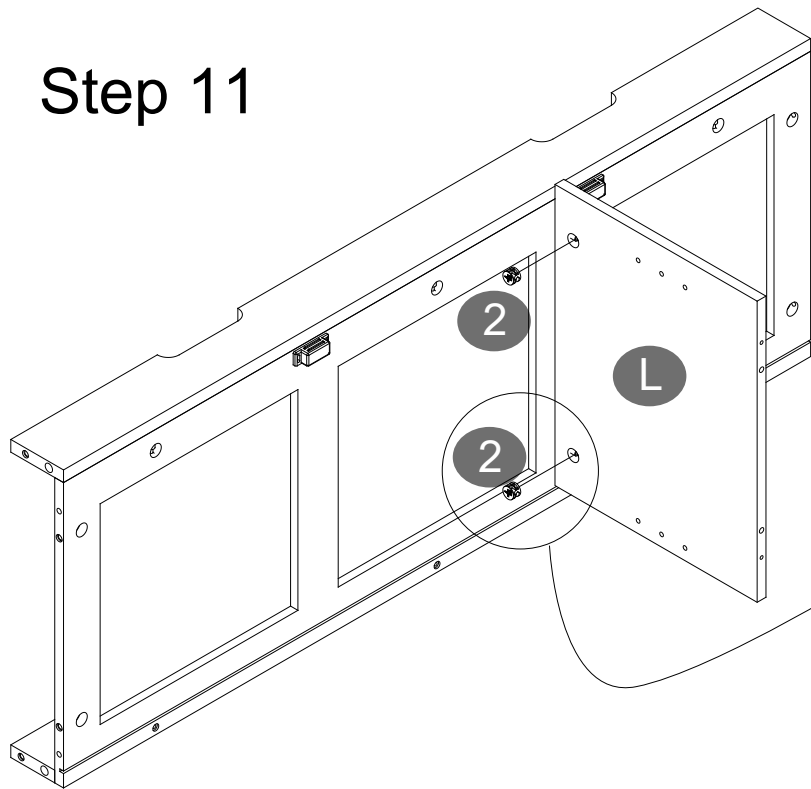
Step 9



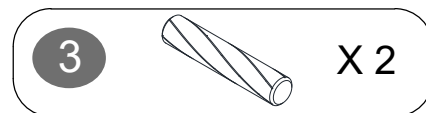
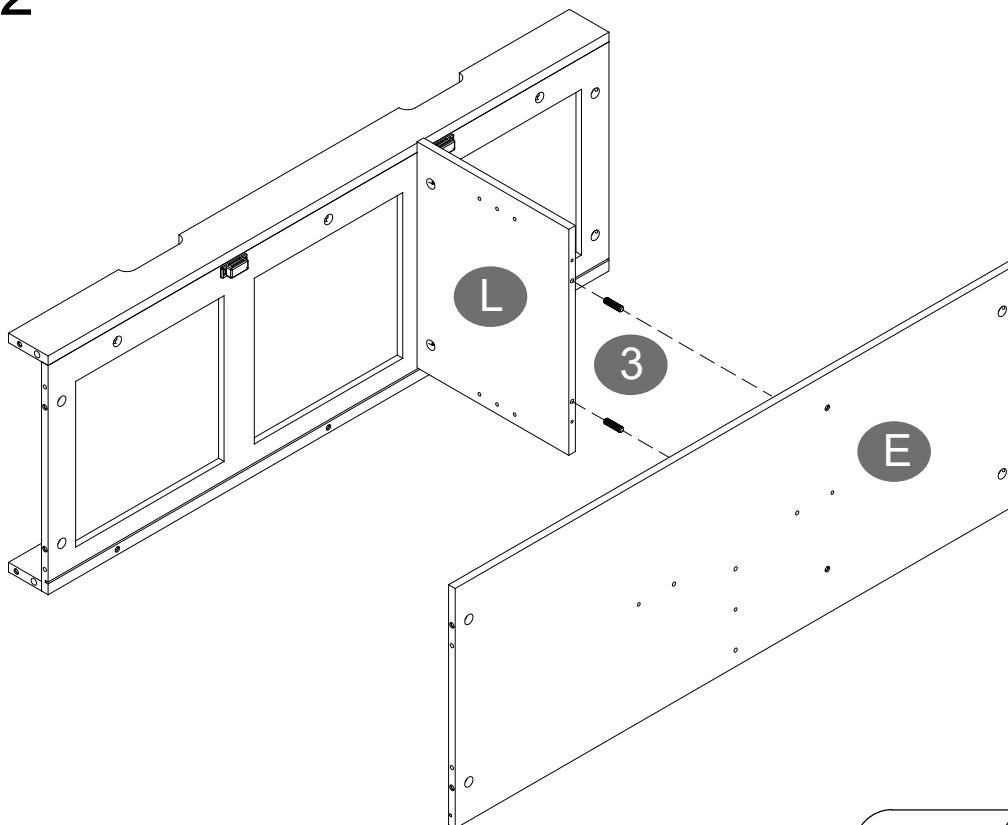
Step 10



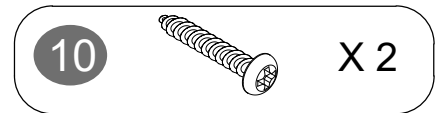
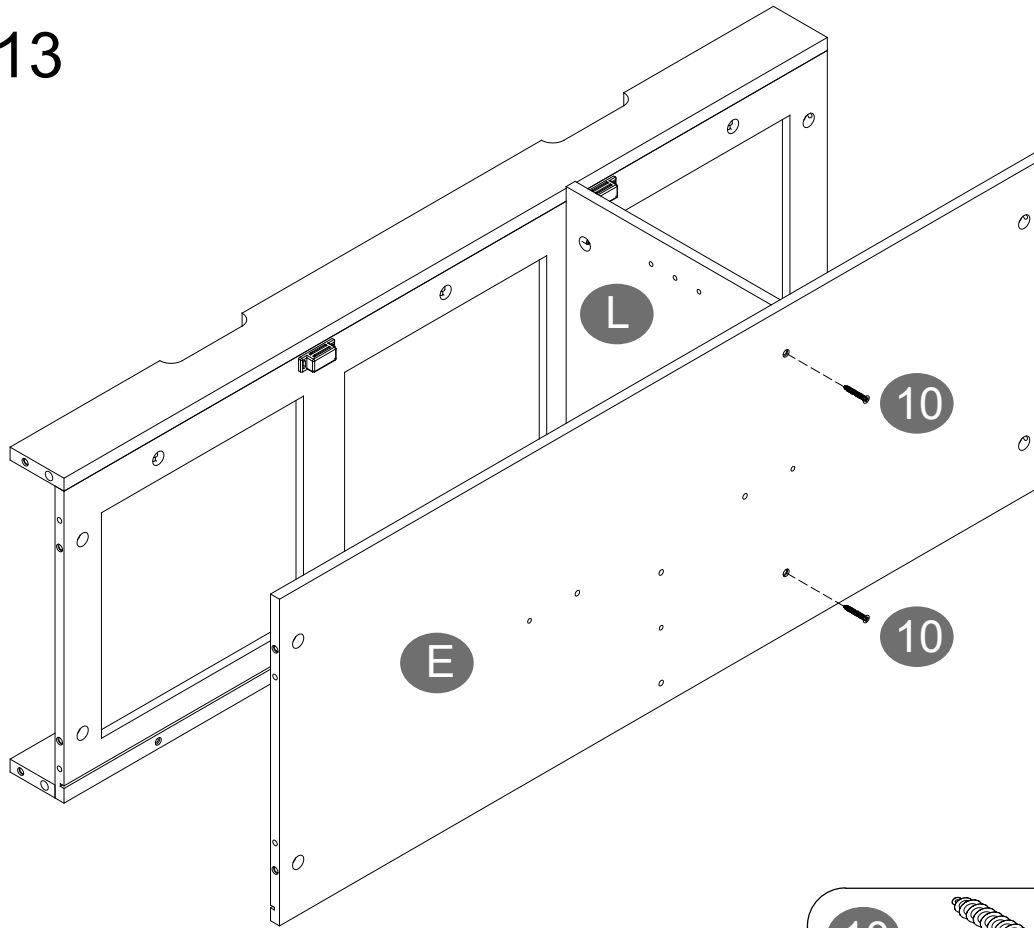
Step 11



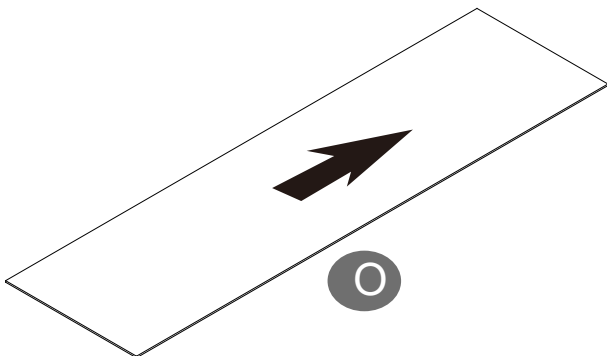
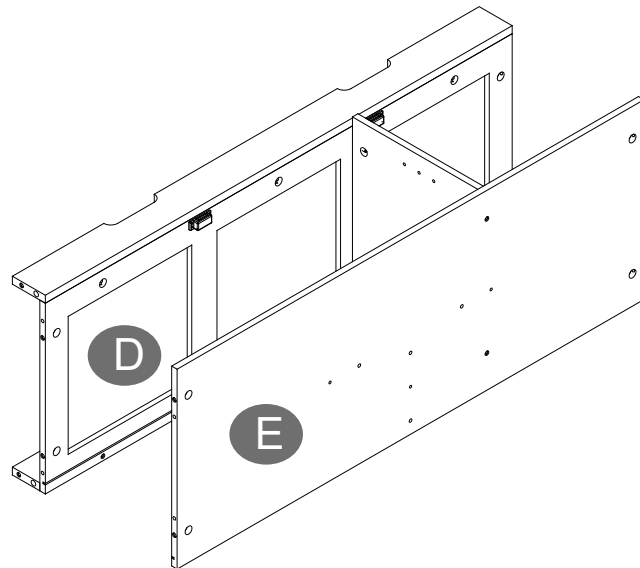
Step 12



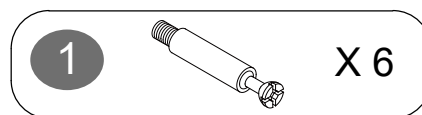
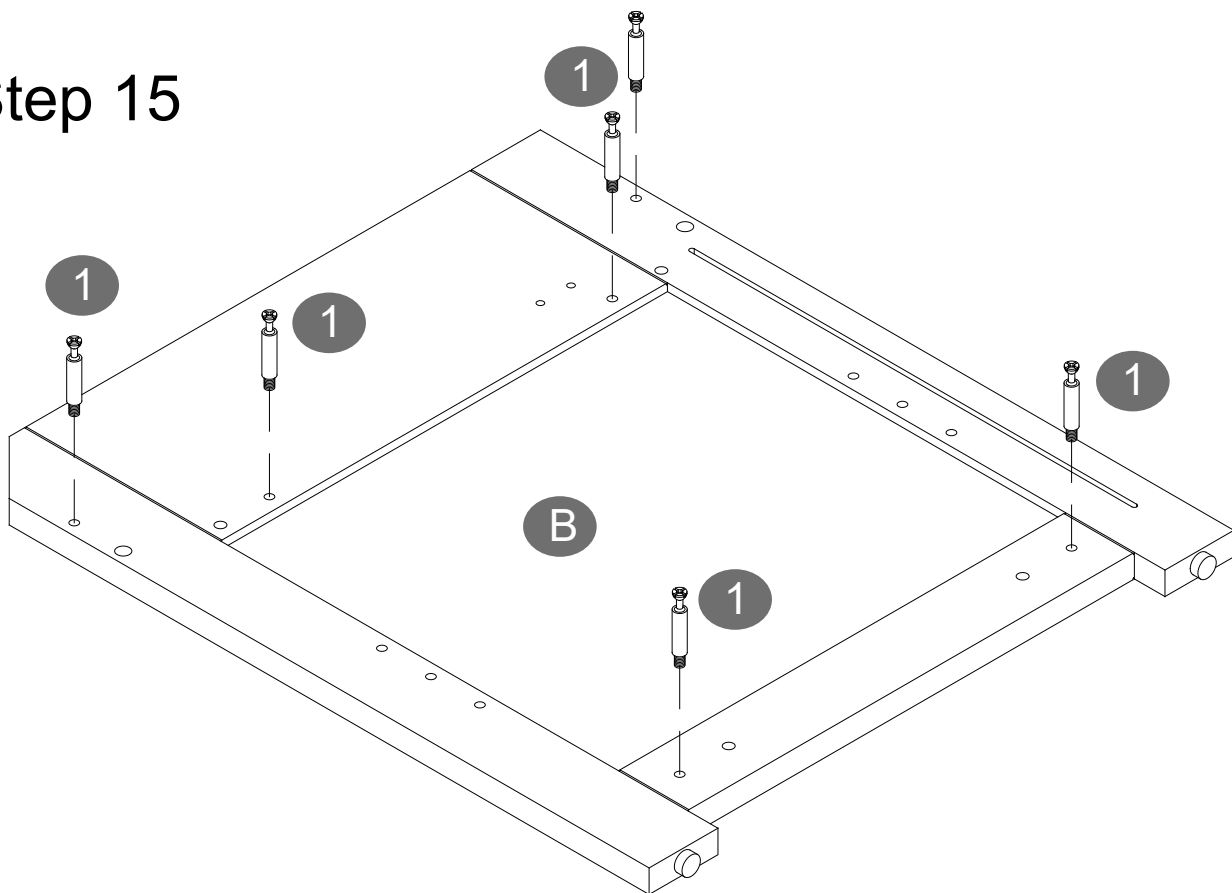
Step 13



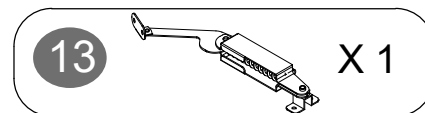
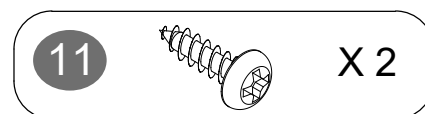
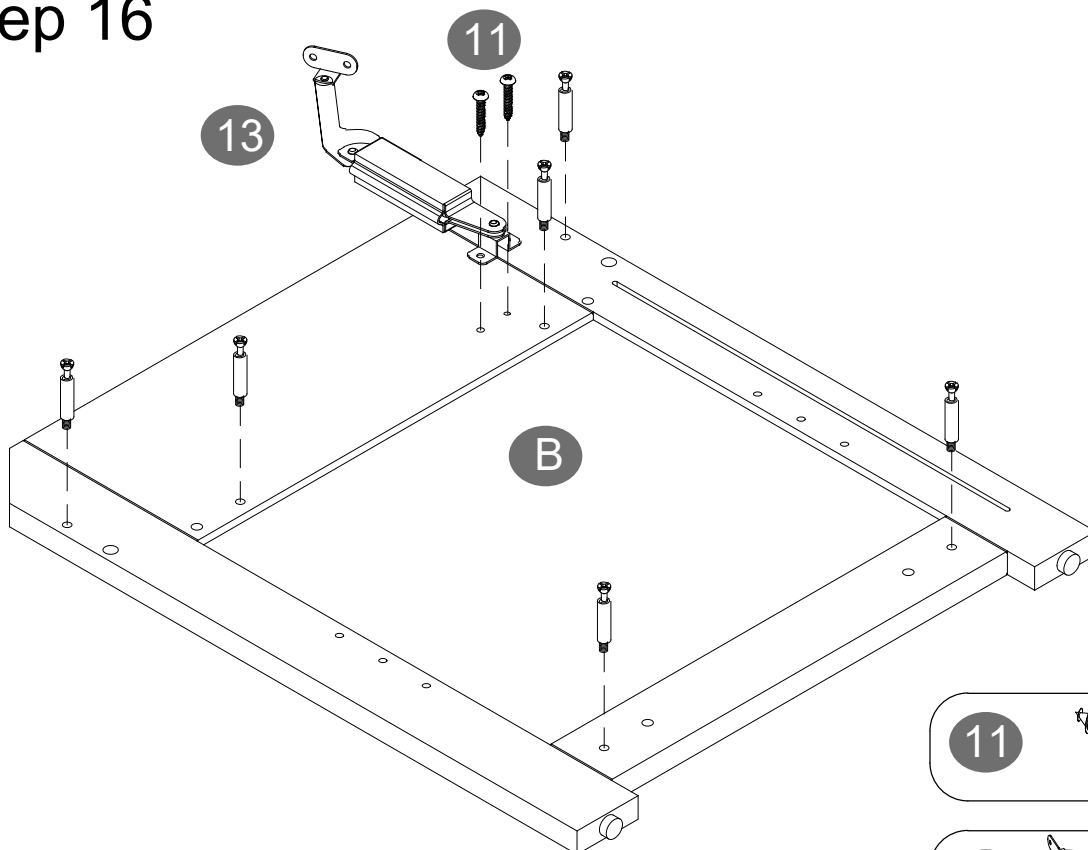
Step 14



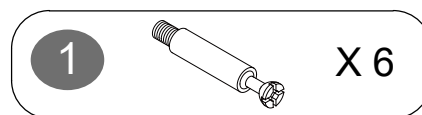
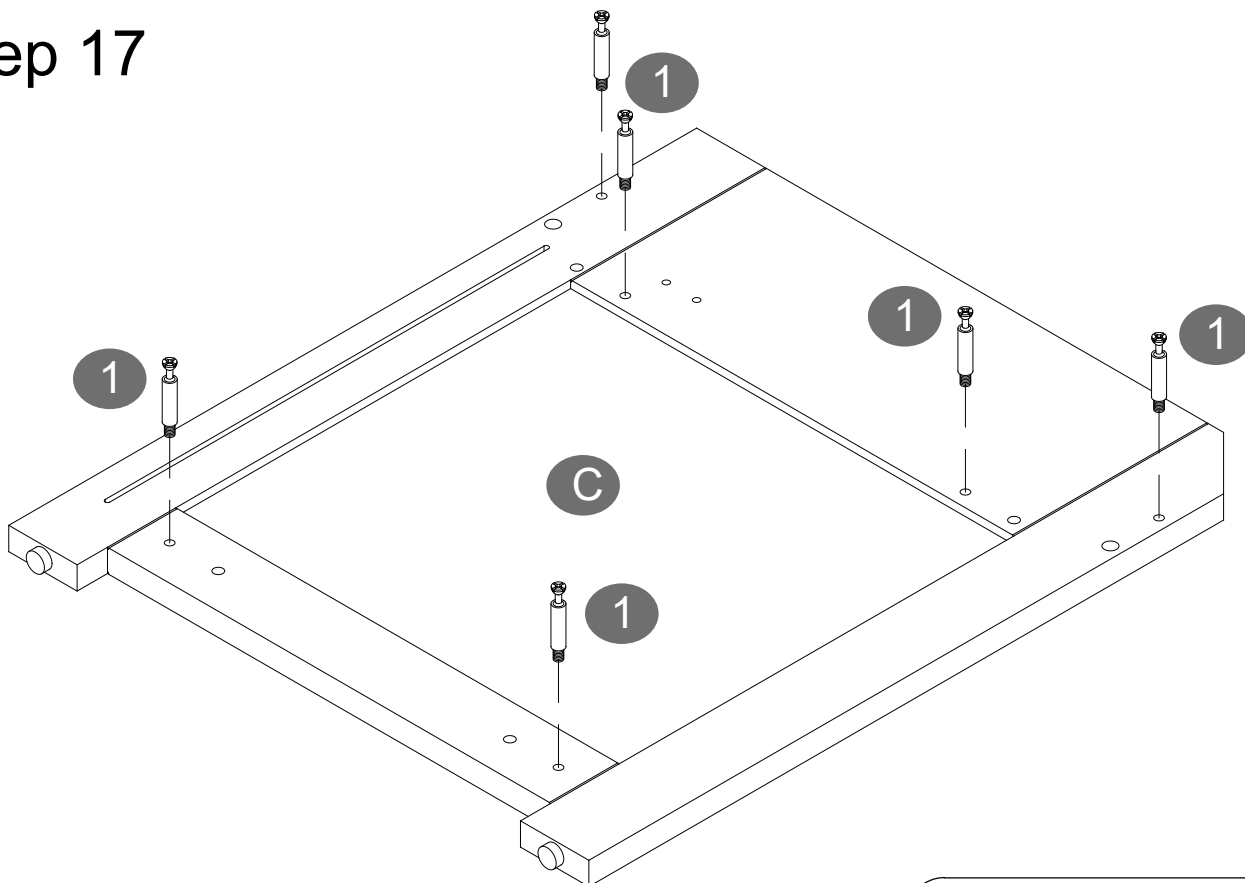
Step 15



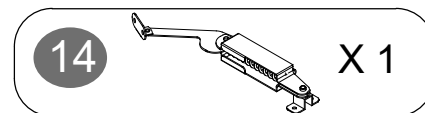
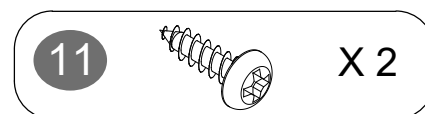
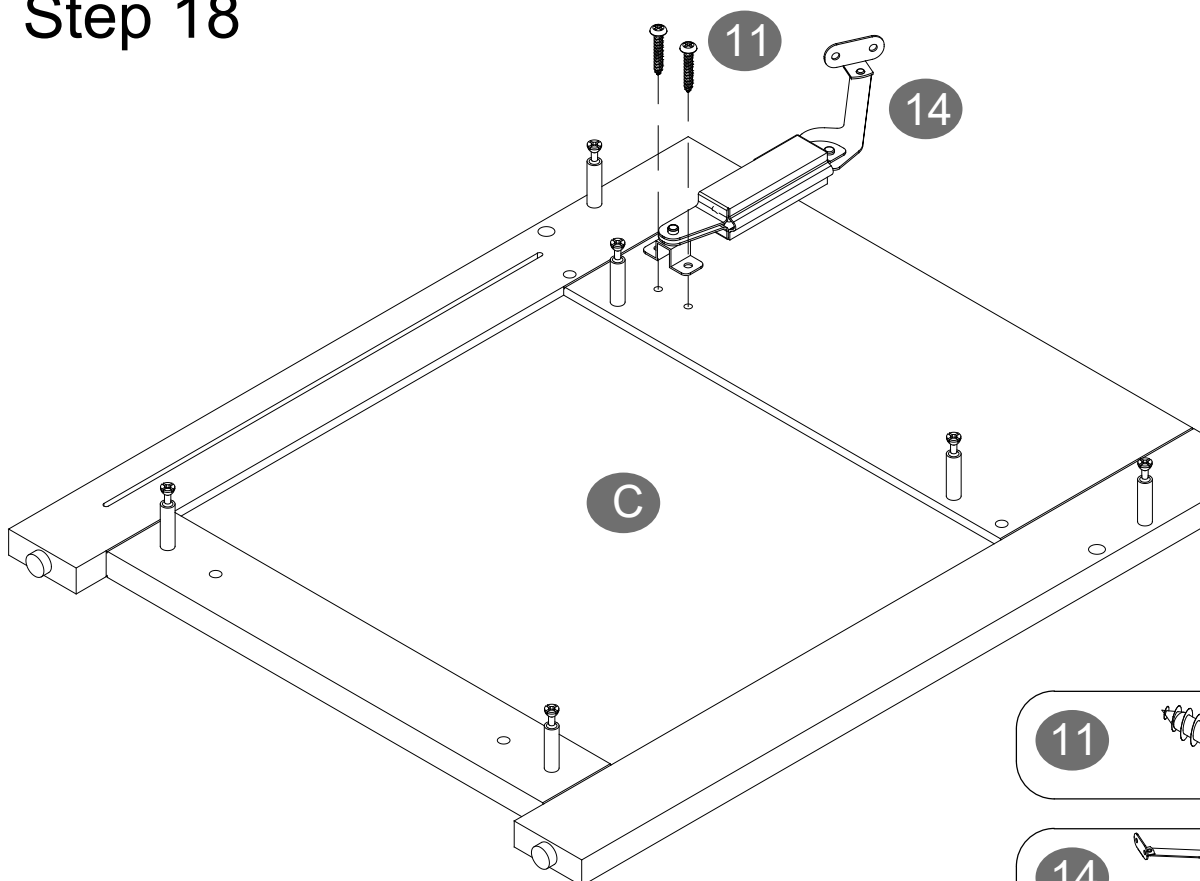
Step 16



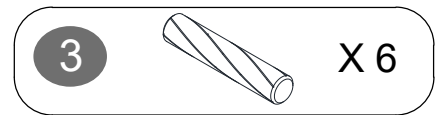
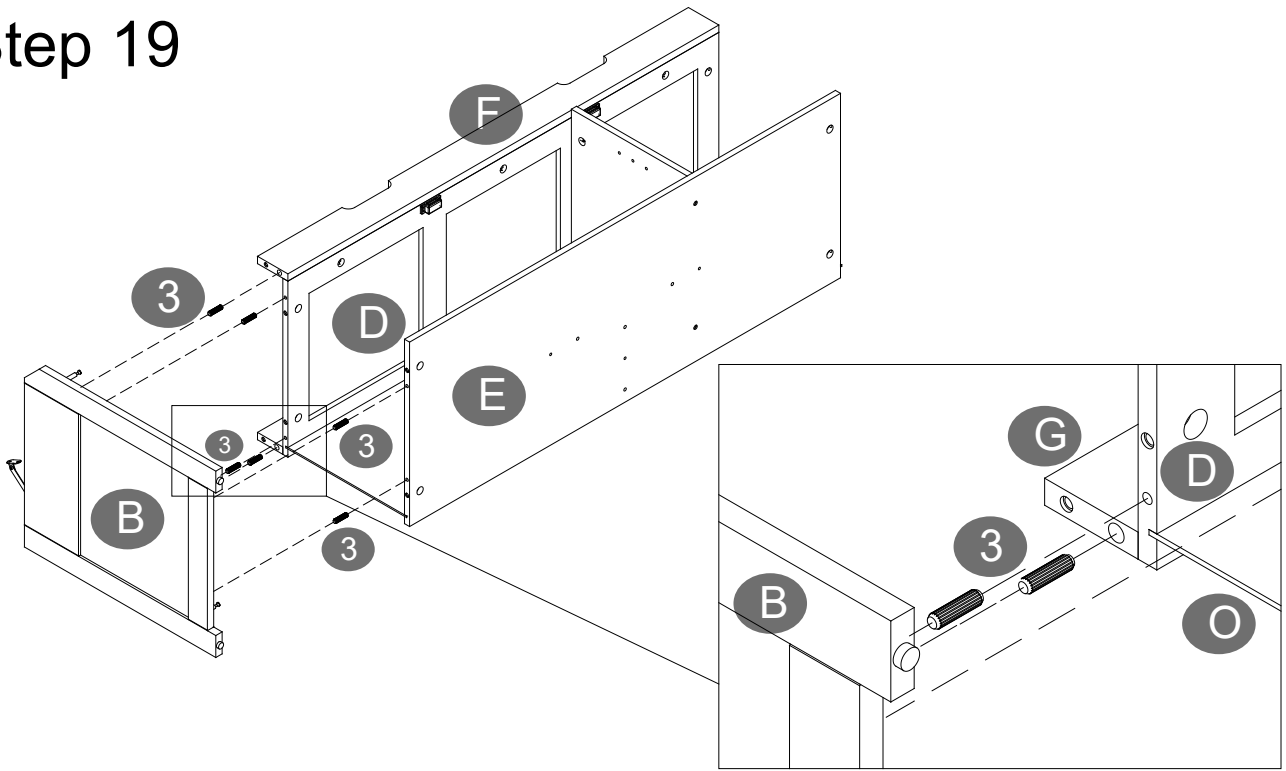
Step 17



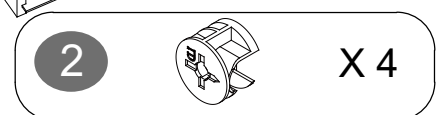
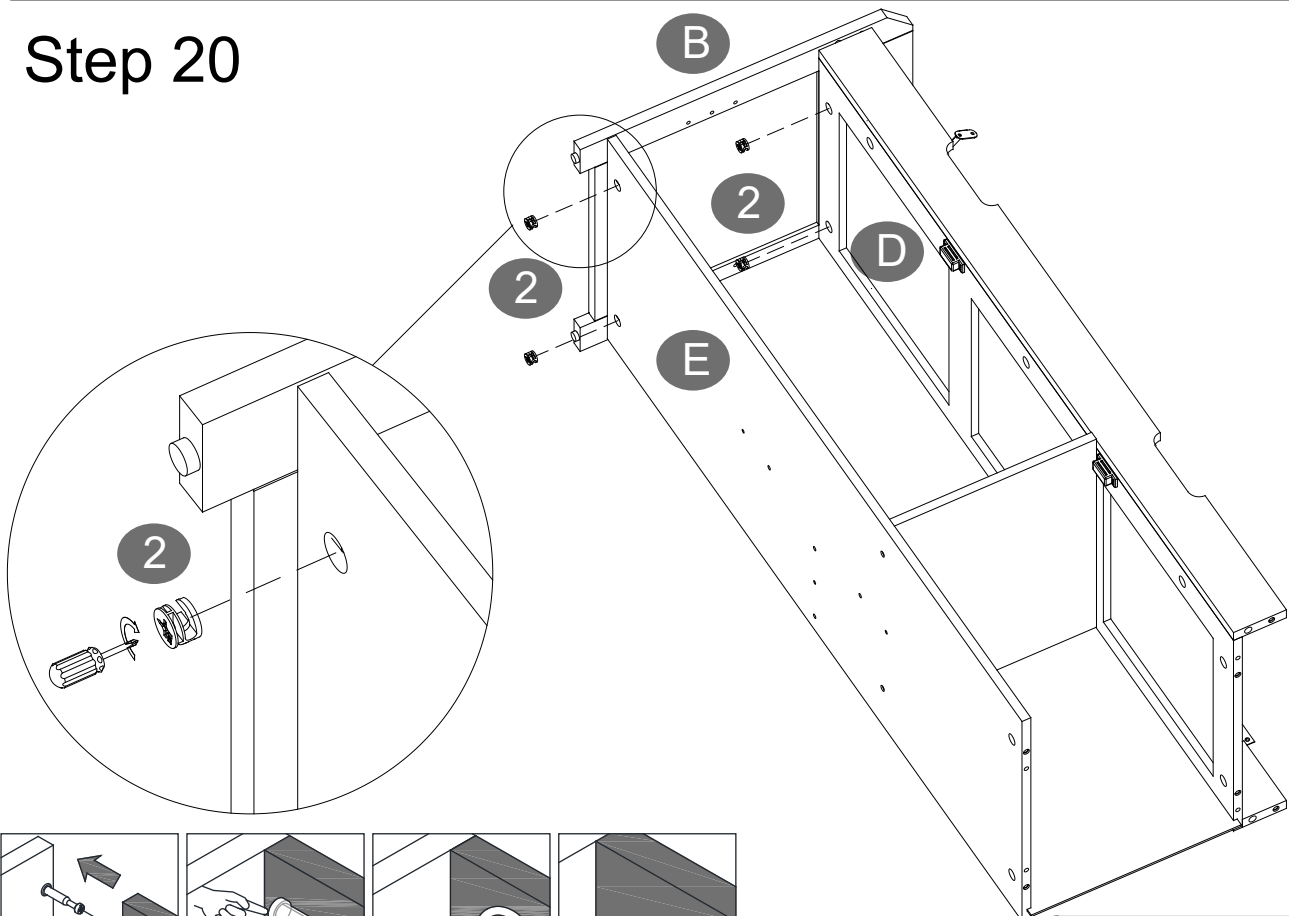
Step 18



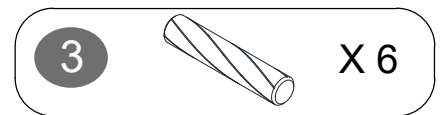
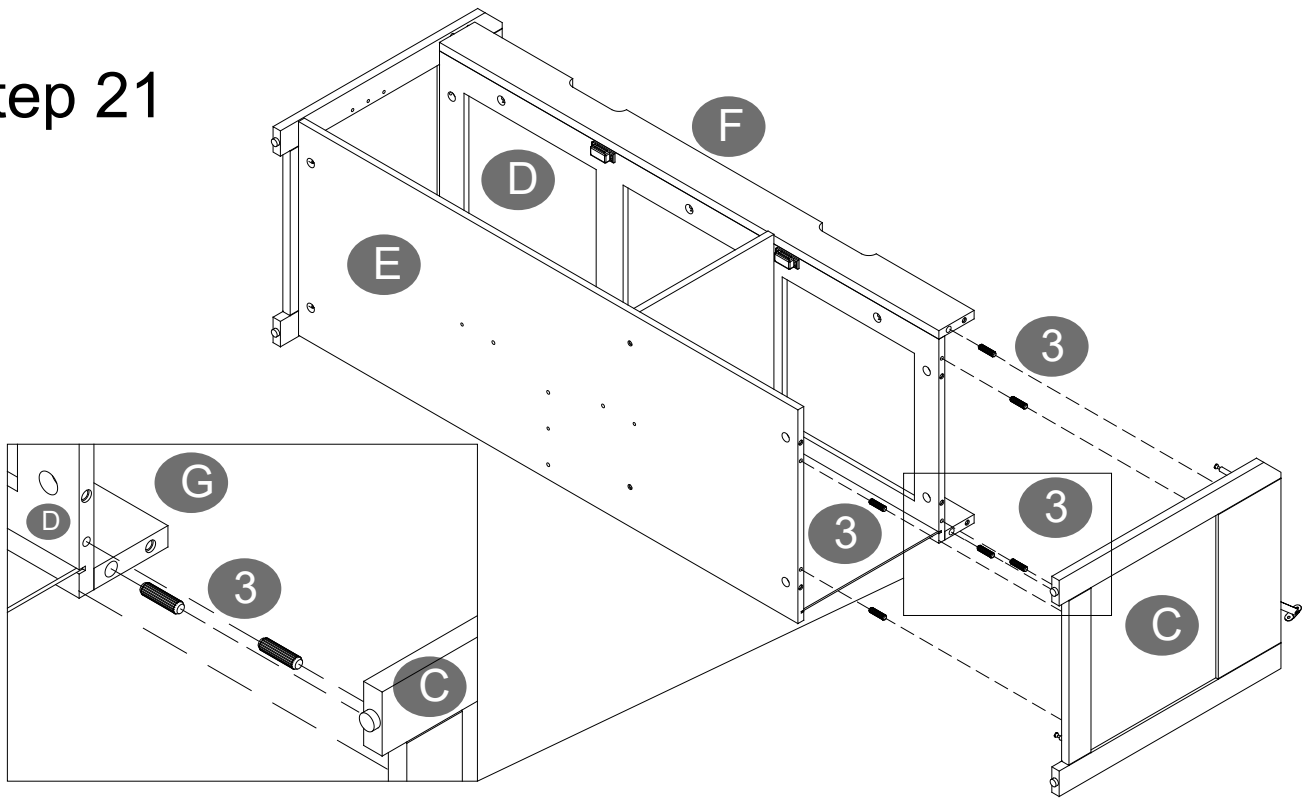
Step 19



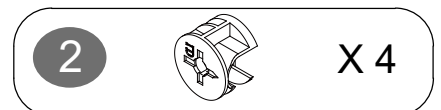
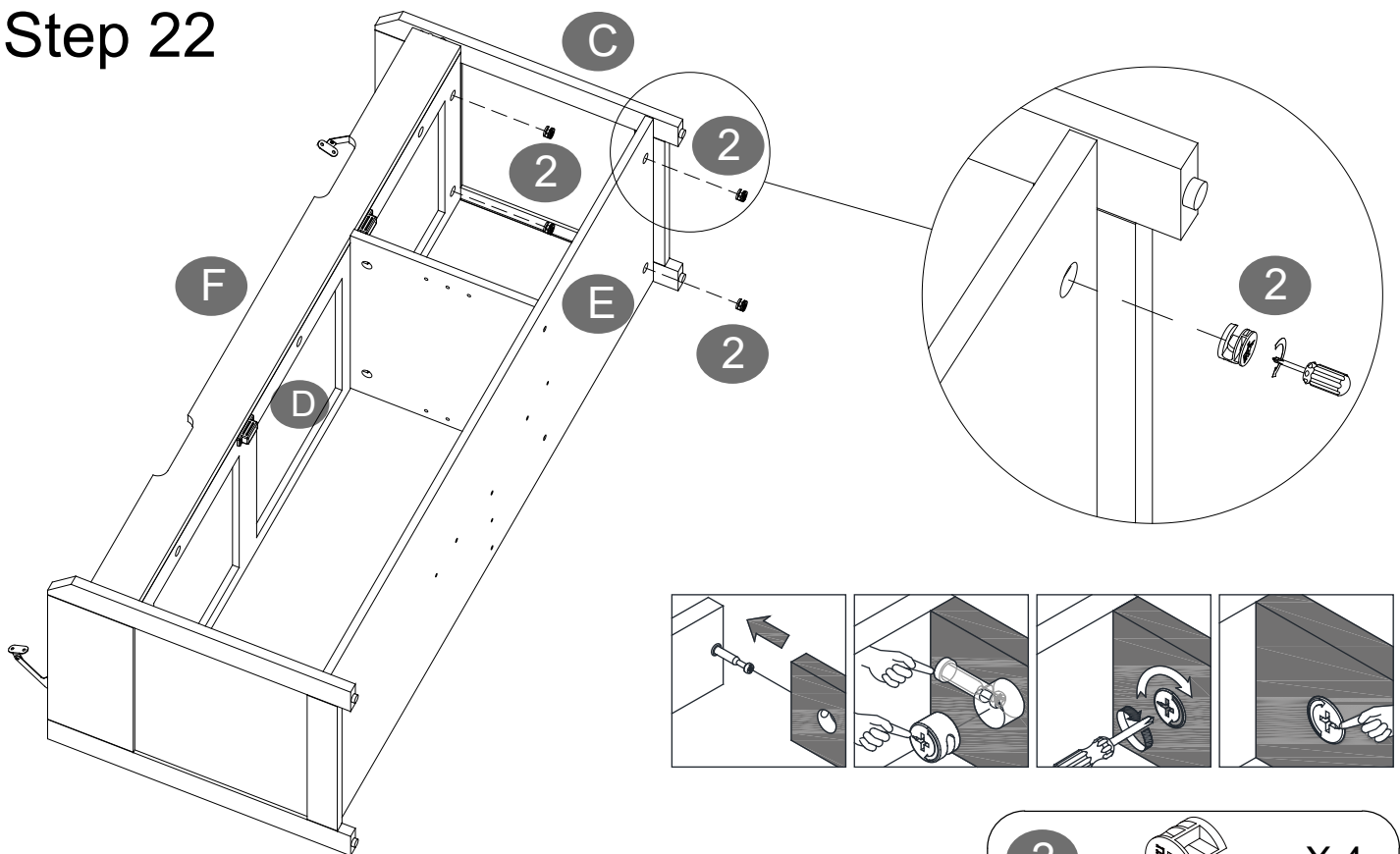
Step 20



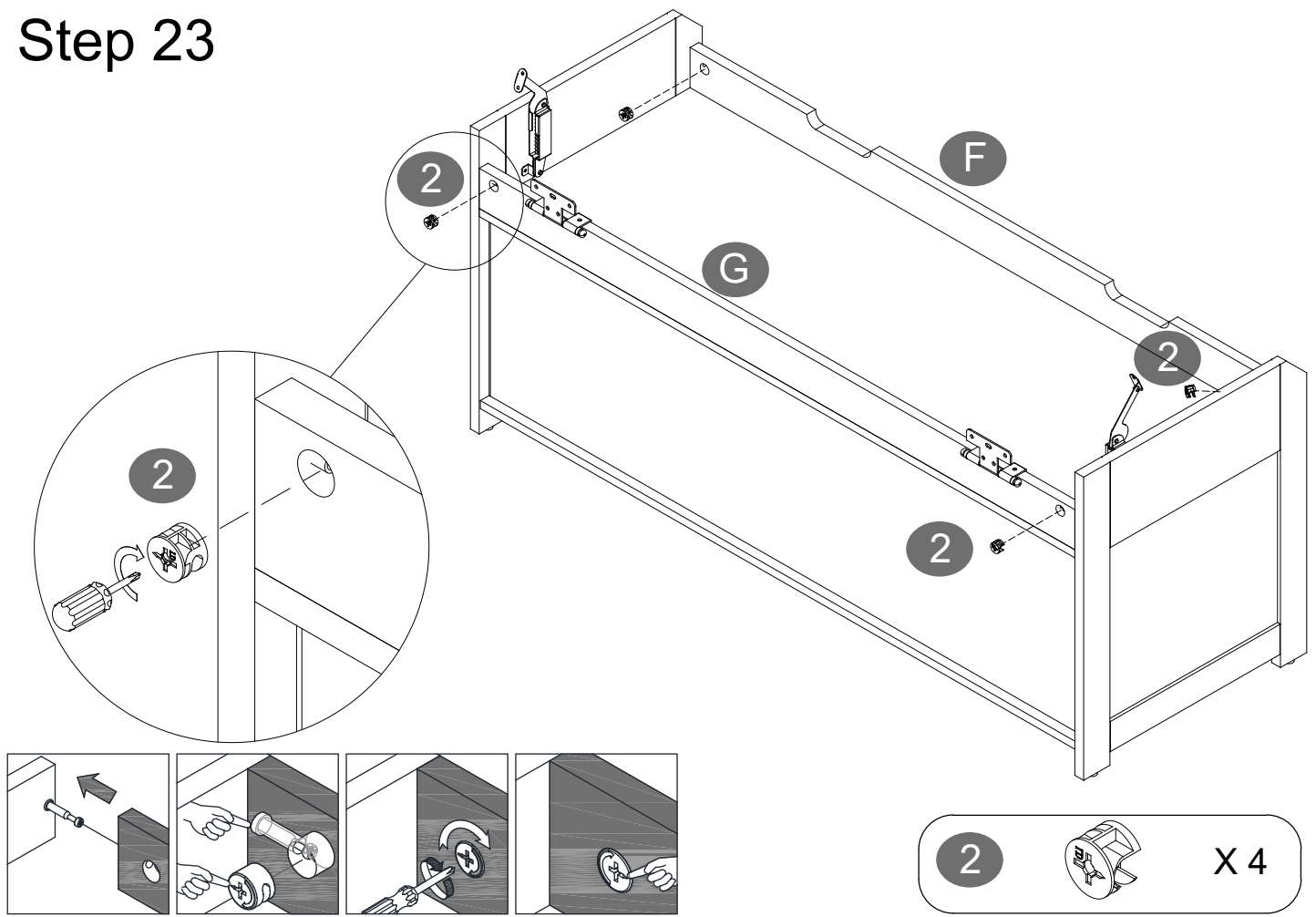
Step 21



Step 22

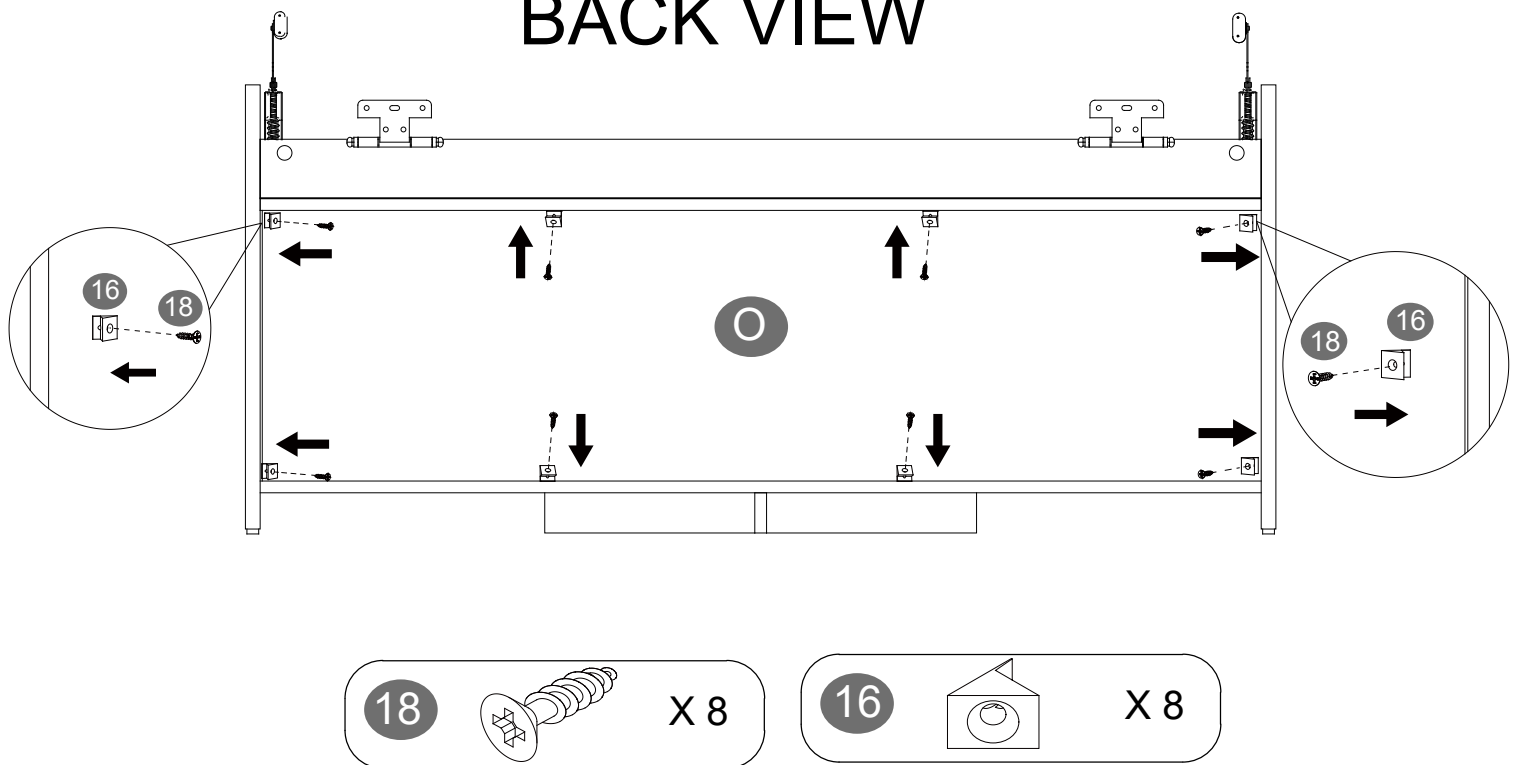


Step 23

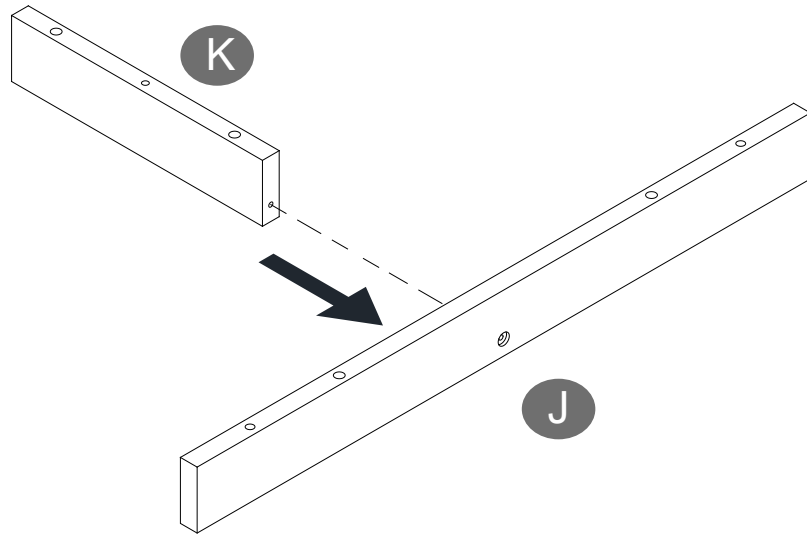


Step 24

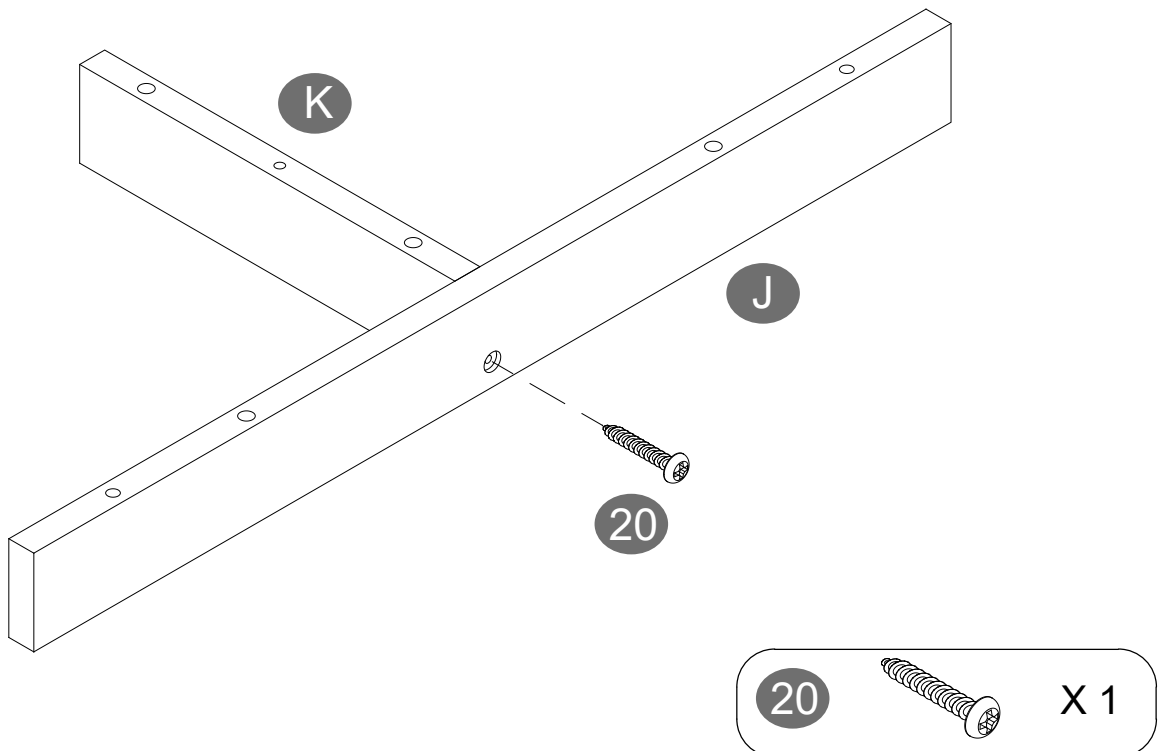
BACK VIEW



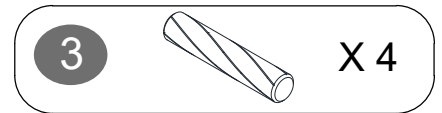
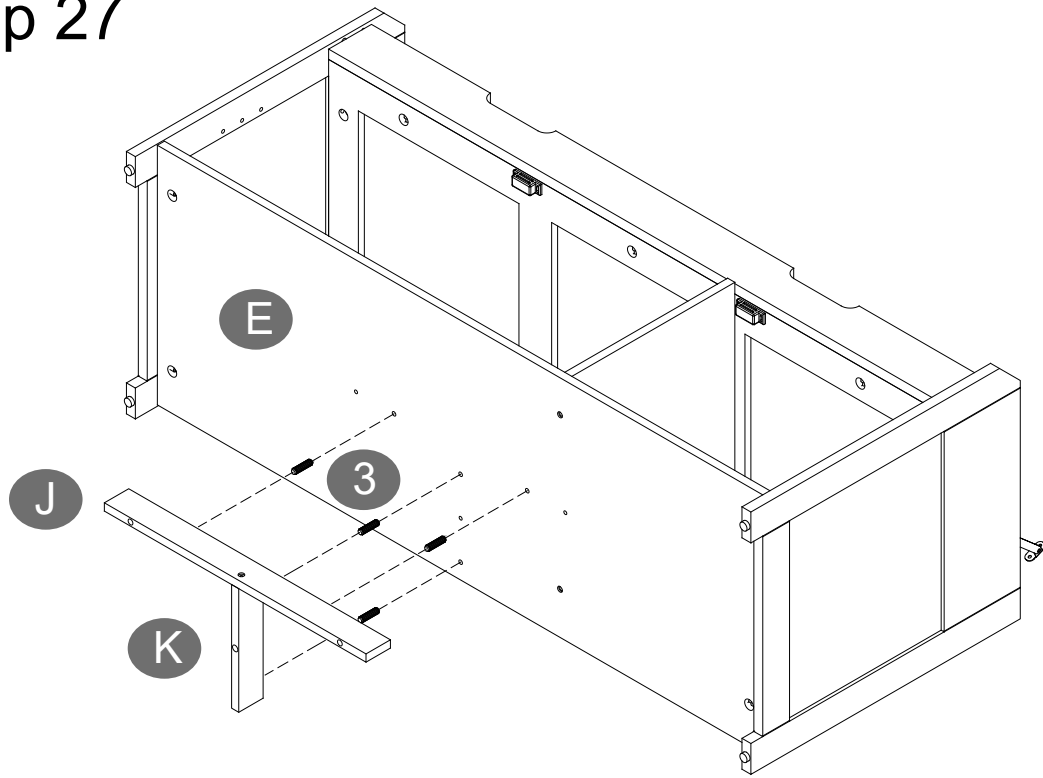
Step 25



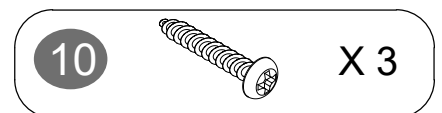
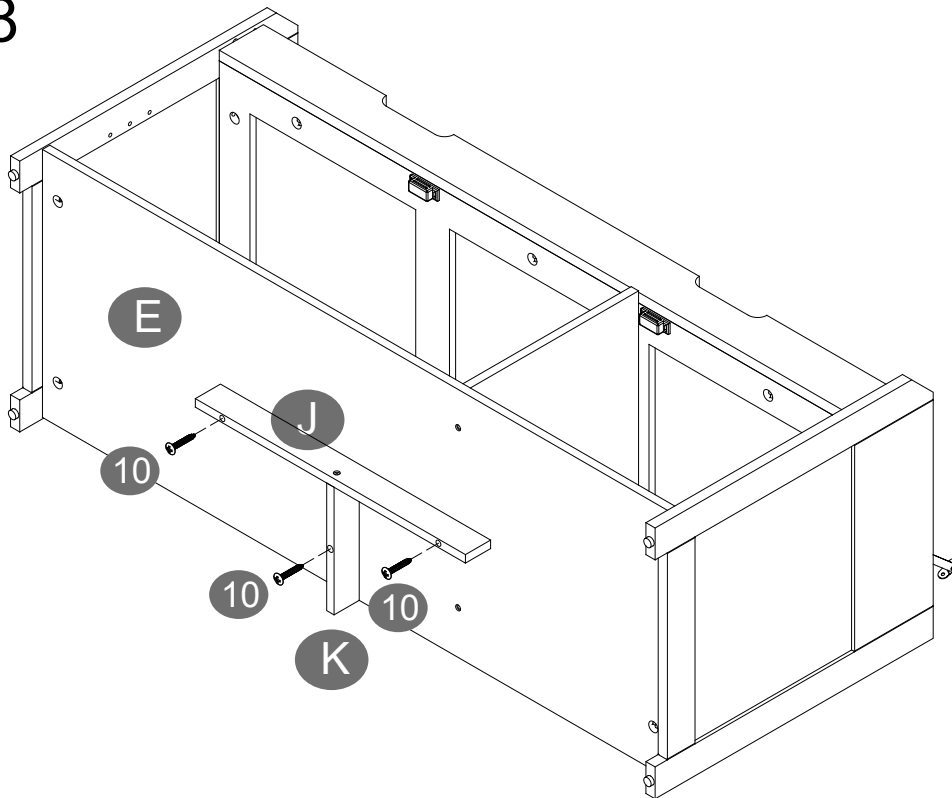
Step 26



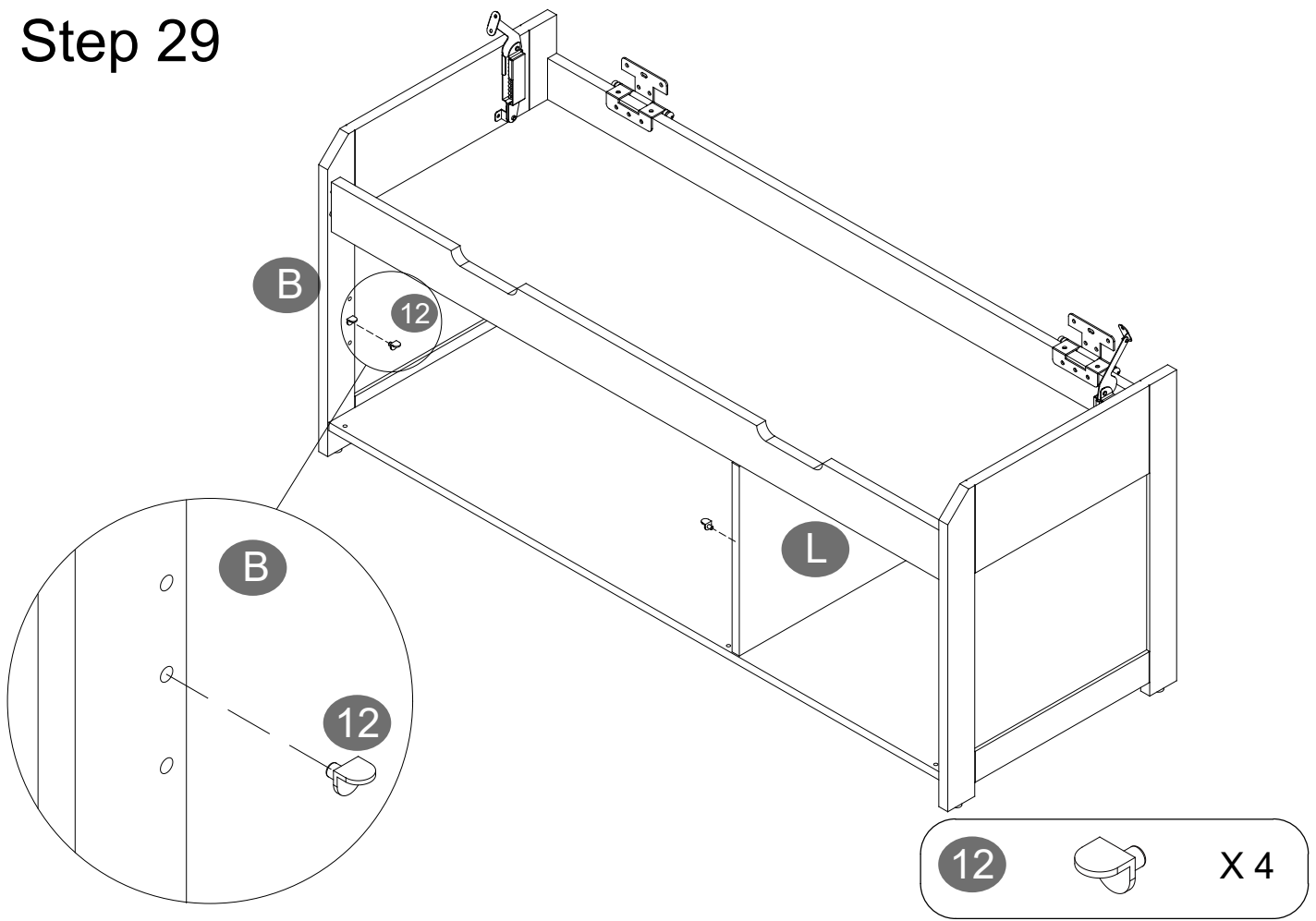
Step 27



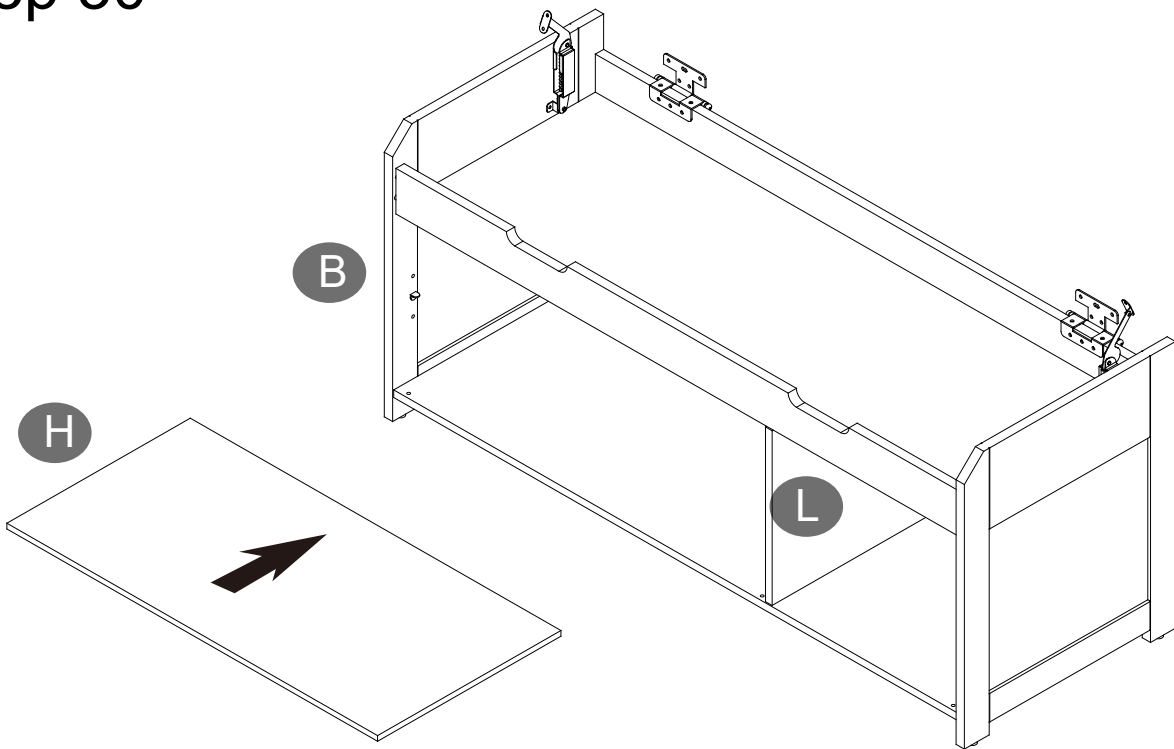
Step 28



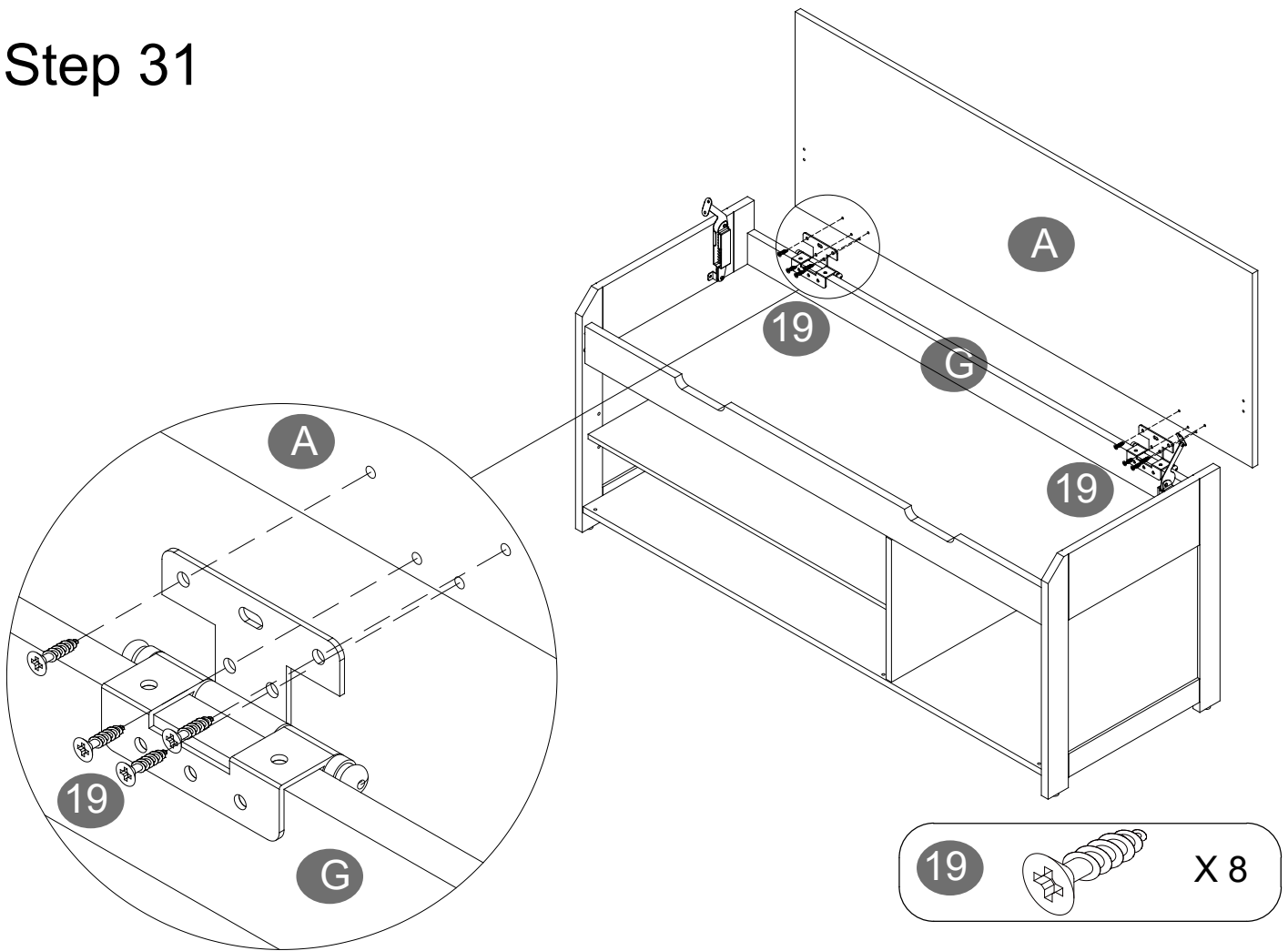
Step 29



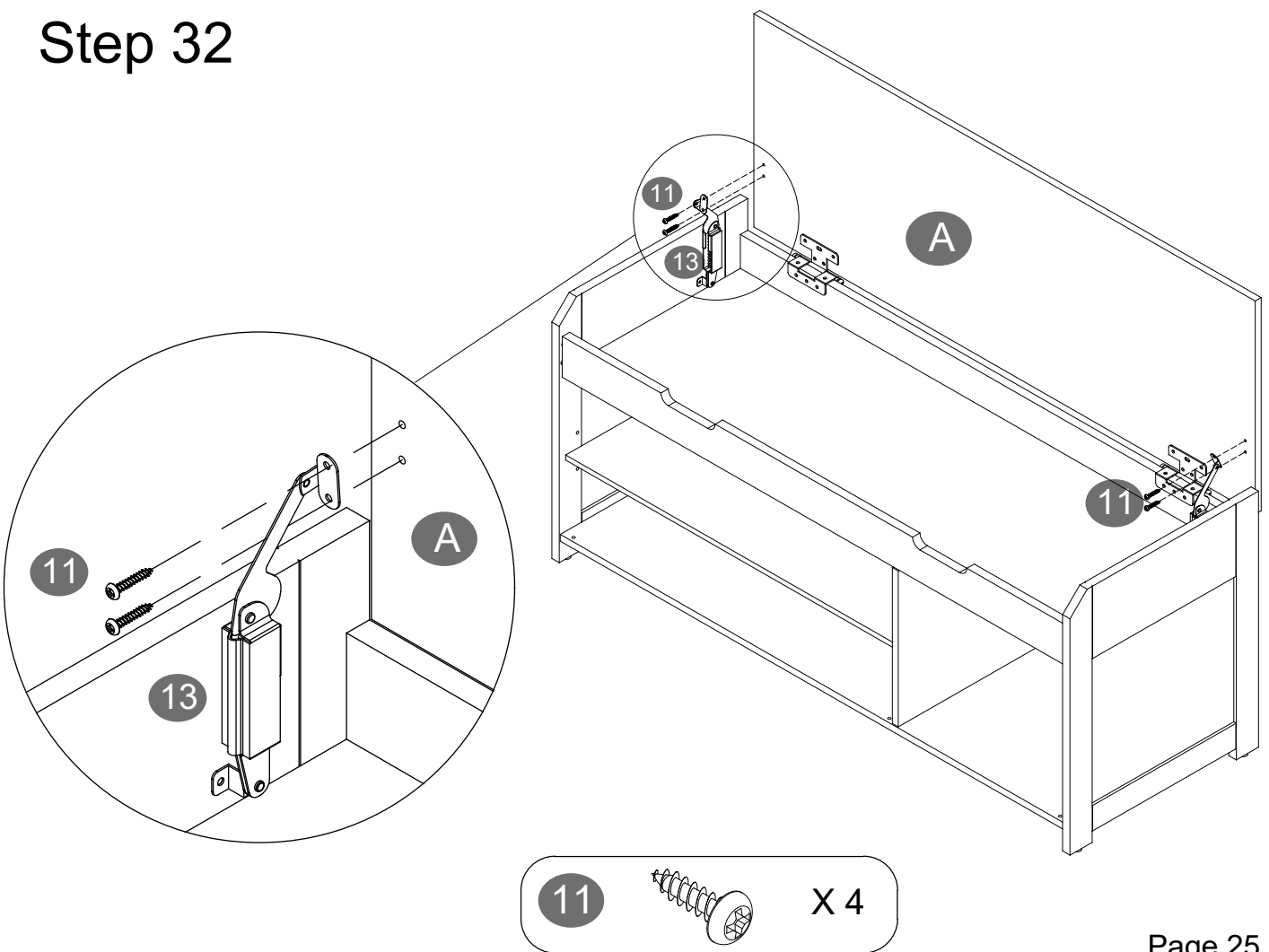
Step 30



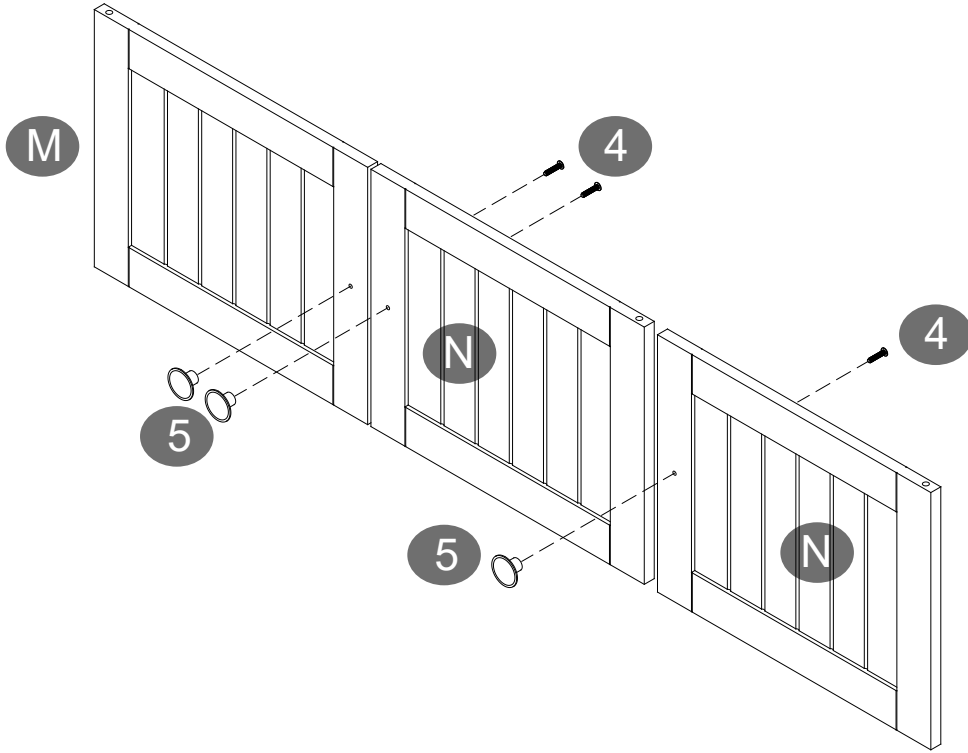
Step 31

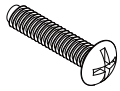



Step 32

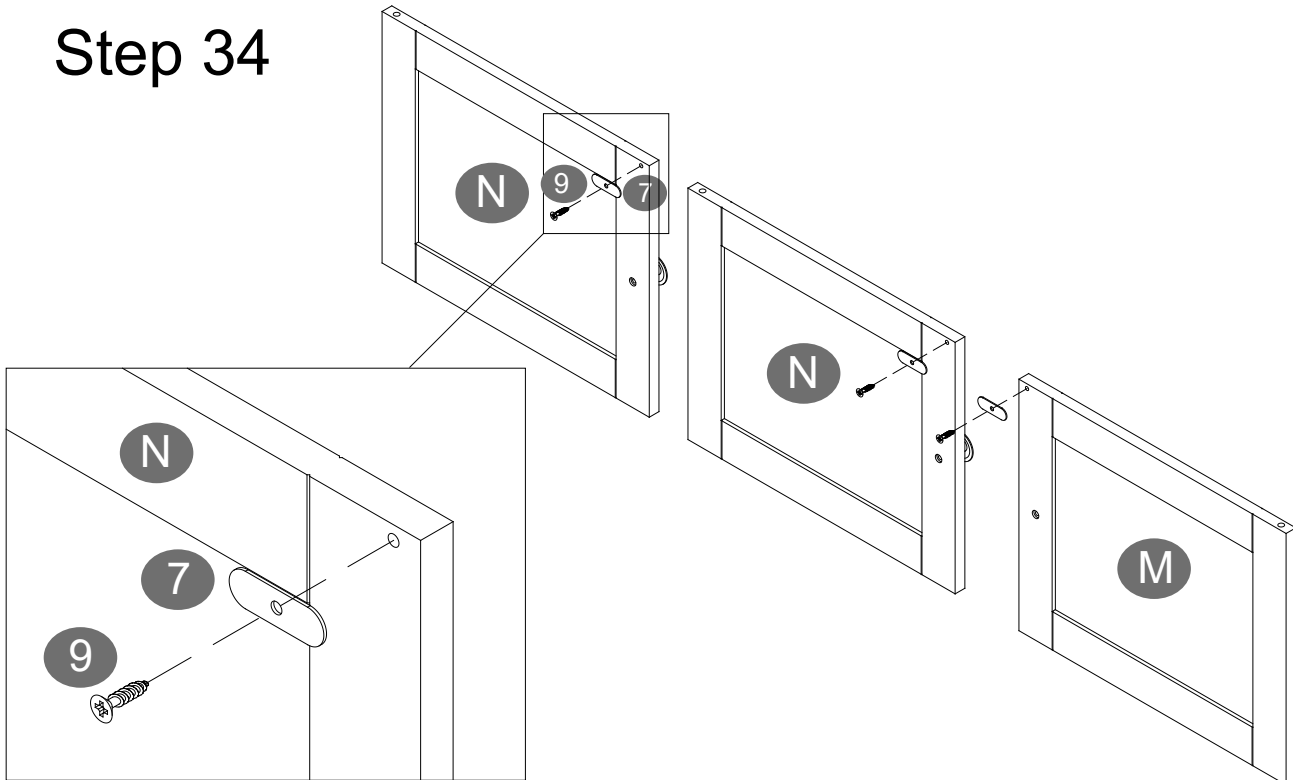


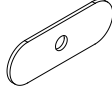
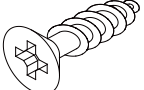
Step 33



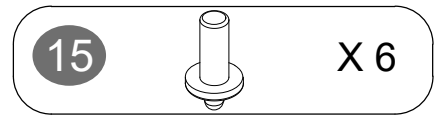
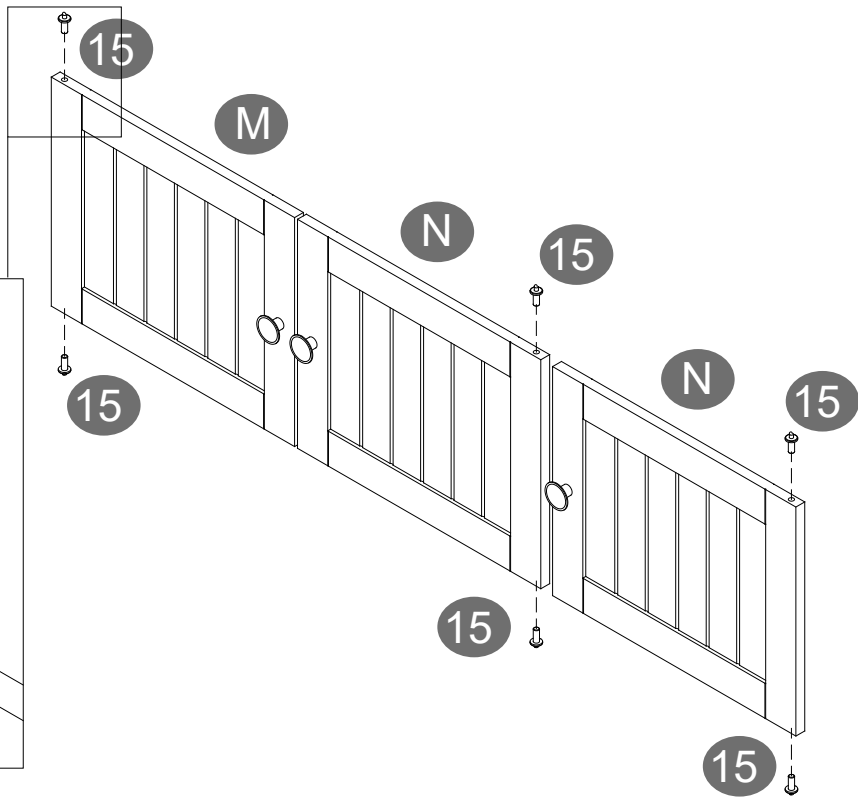
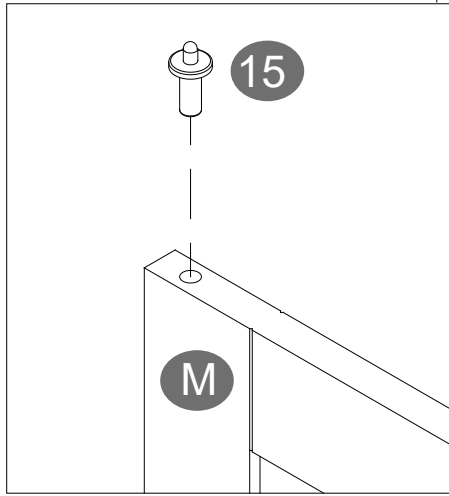
- 4  X 3
- 5  X 3

Step 34

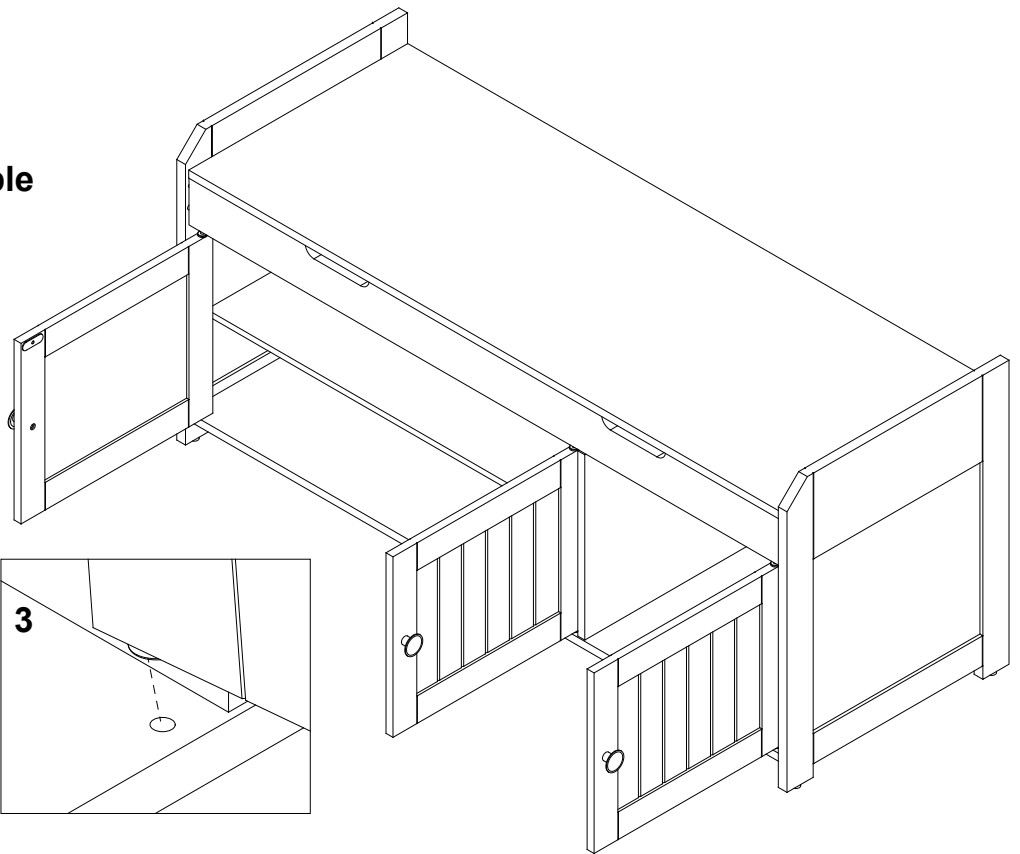
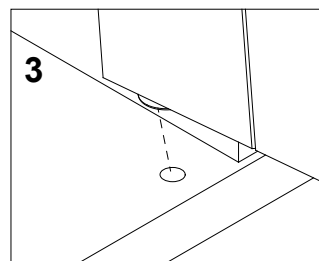
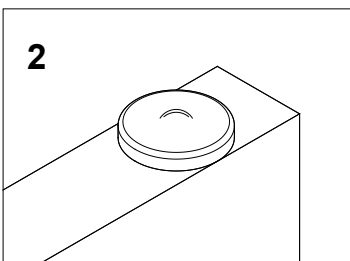
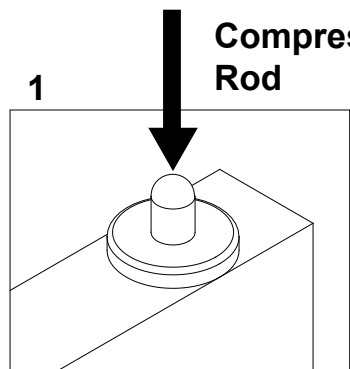


- 7  X 3
- 9  X 3

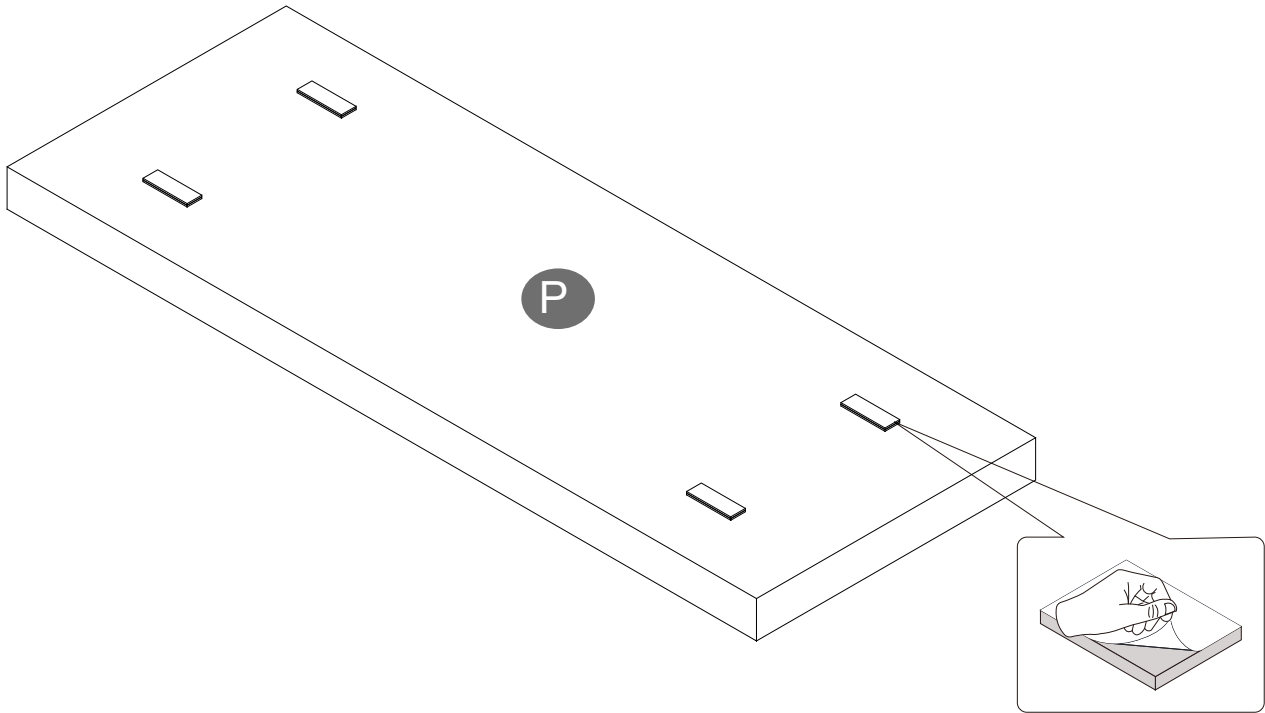
Step 35



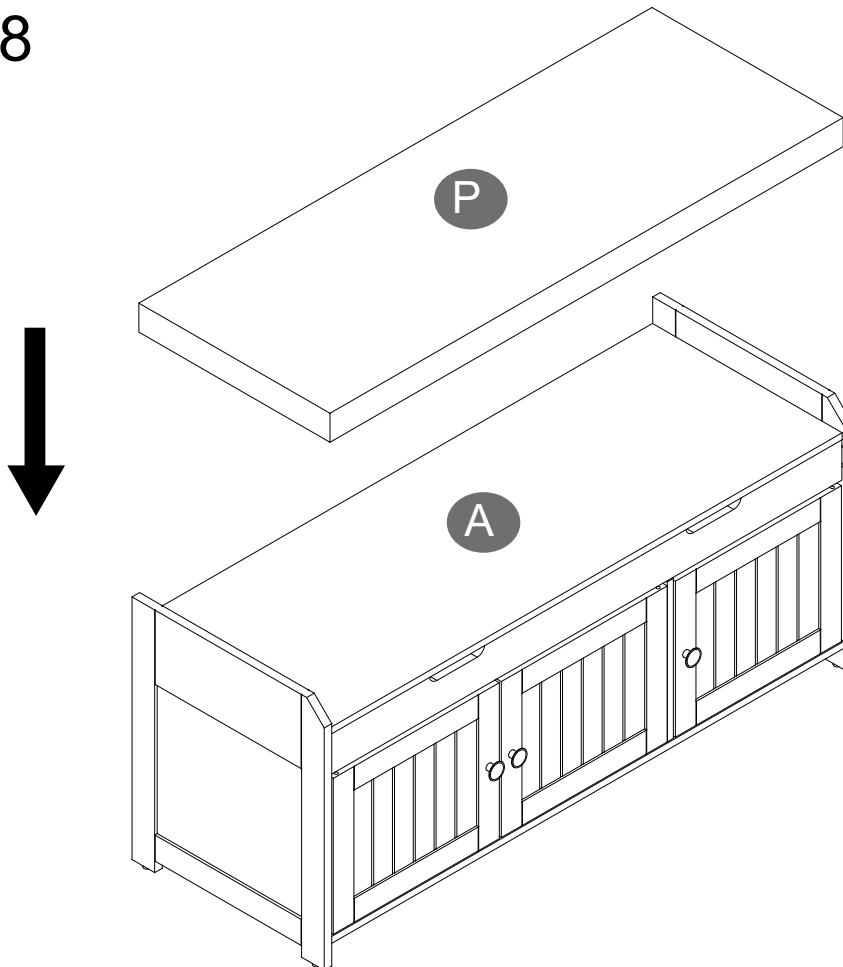
Step 36



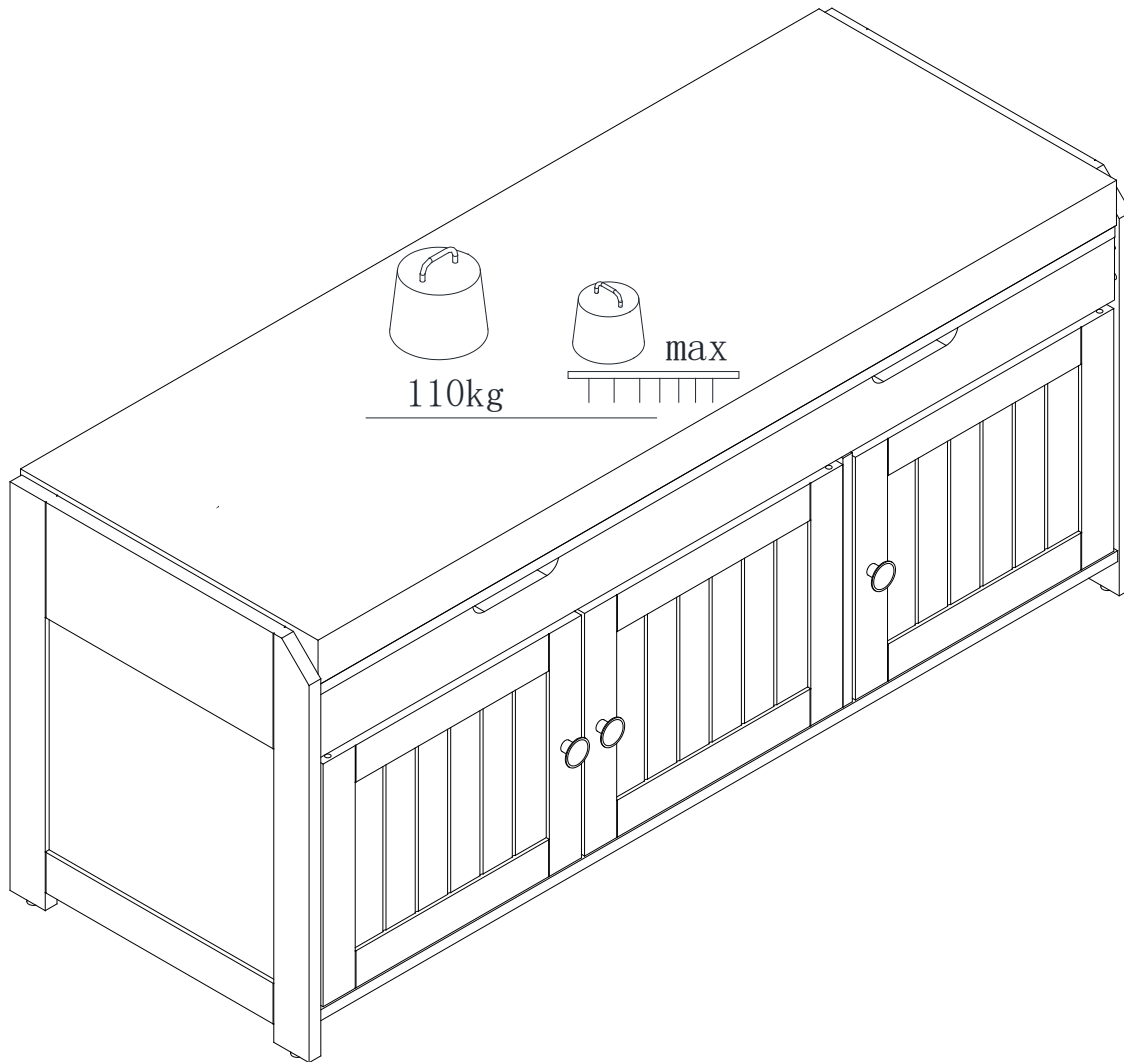
Step 37



Step 38



Step 39



Kind reminder: If the cushion covering had minor wrinkles, please use the method of treating wrinkled clothing to make the cushion smooth.