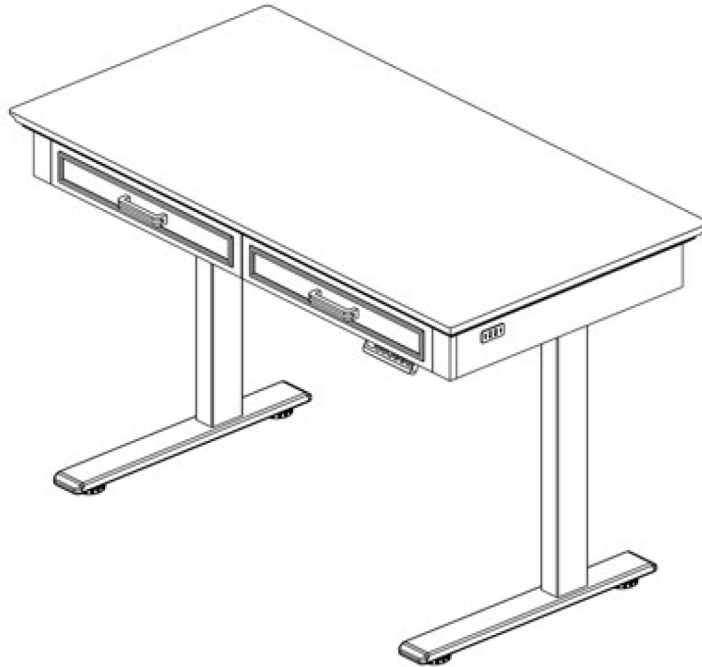


# Assembly Instructions



## QUESTIONS?

GIVE US A CALL: 1-888-980-5122  
MON – FRI 8:30AM – 5:30PM (PT)

## TOOLS REQUIRED



**Allen Wrench**  
4x4 (Included)



**Allen Wrench**  
5x5-with Cross (Included)

## ASSEMBLY RATING

2 Persons Recommended

The Assembly Rating is a 5-point system showing the level of effort needed to assemble this product.

EASY



HARD

## CHECK BEFORE STARTING

**Are you missing anything?**  
Double-check all parts, hardware and accessories listed are accounted for.

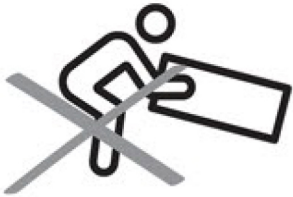
**Check out our Quick Tips!**  
We recommend reviewing the pre-assembly handouts. Even experts need a refresher now and then!

**Should we send any replacements?**  
Are there any irregularities or flaws in the parts? We can send replacements.

**Are you missing anything?**  
Double-check all parts, hardware and accessories listed are accounted for.

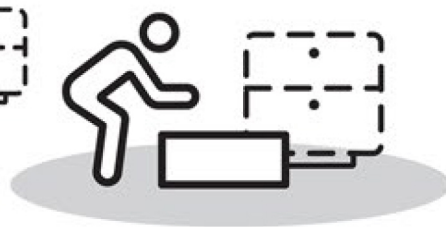
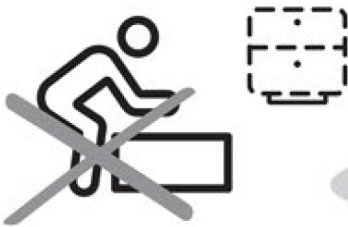
# PRE ASSEMBLY INTRODUCTION

We understand building ready-to-assemble furniture can be a challenging experience for some. To help avoid confusion, we have provided some helpful tips that may speed up the process.



## Teamwork

ALWAYS have at least two people to help with transporting and assembling the product to avoid potential injury and/or damage.



## Suitable Location

Assembling near the area of the intended location is highly recommended.



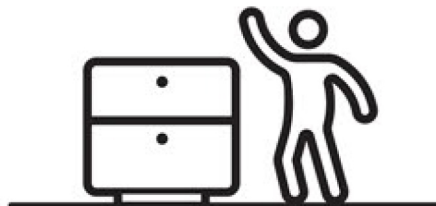
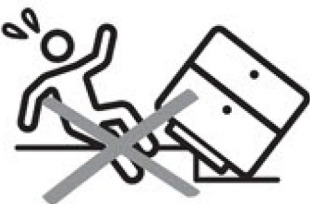
## Sufficient Space

Make sure you have enough space to move around during the assembly.



## Avoid Scratches

Use cardboard, blankets or a carpeted area while assembling furniture to prevent scratches.



## Flat Surface

Make sure the furniture rests on a flat and level surface with each leg evenly touching the floor.

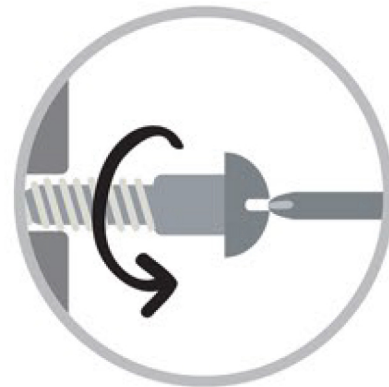
# ASSEMBLY AND CARE ADVICE



FAILURE TO FOLLOW THE GUIDELINES BELOW MAY RESULT IN INJURY AND/OR PROPERTY DAMAGE.



Position each part correctly and insert screws or bolts into their respective holes.



Turn clockwise to tighten and only tighten when the step is completed or when instructed to do so.



Use the appropriate hand tools or power tools for assembly. Select steps, such as tightening screws and/or bolts, may require hand tools to avoid causing damage during assembly.



Save the instructions and store any supplied tools for later maintenance.



After two weeks, check and tighten any loose hardware, and repeat again every six months thereafter.

IT IS THE USER'S RESPONSIBILITY TO MAINTAIN THE FURNITURE. THE HARDWARE MAY LOOSEN OVER TIME AND MAY CAUSE THE FURNITURE TO BE WOBBLY AND UNABLE TO SUPPORT ITS INTENDED WEIGHT CAPACITY. THIS MAY LEAD TO COLLAPSE AND MAY CAUSE SERIOUS INJURY.

# ADJUSTABLE TABLE



- Keep instructions for future reference
- Check hardware and parts before starting

## PARTS

**1** 1PC

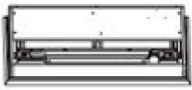


Table Top

**2** 2PCS



Lifting Column

**3** 1PC



Handset

**4** 2PCS



Feet Plate

**5** 1PC



Power Cord

**6** 1PC



Power Adapter

**7** 4PCS



Cord Strap

**8** 1PC



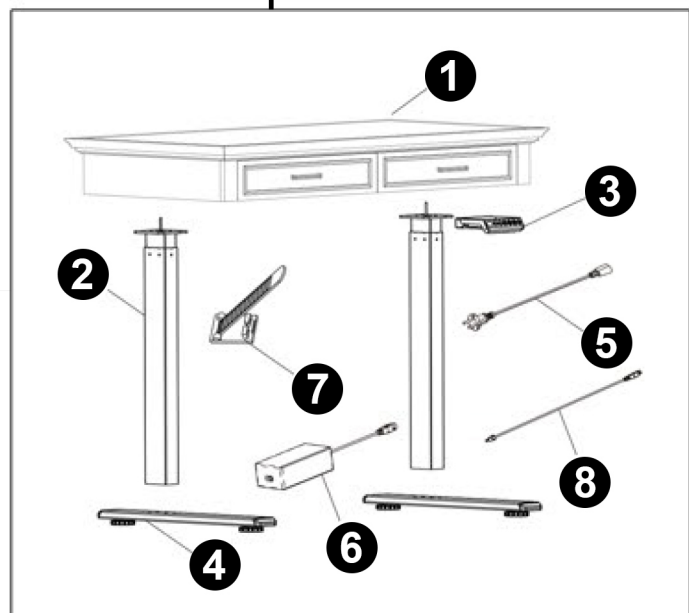
Adapter Cord

## HARDWARE

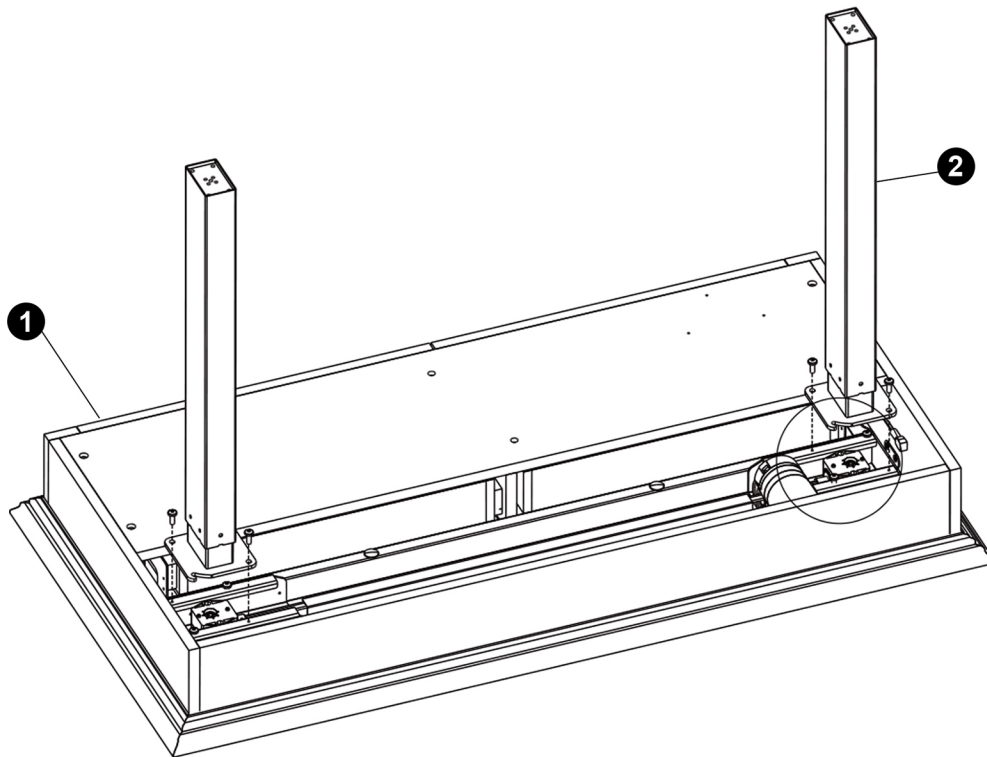
**(A)**  3PCS  
Screw ST4.2\*16

**(B)**  4PCS  
Bolt M6\*12

**(C)**  8PCS  
Bolt M6\*35

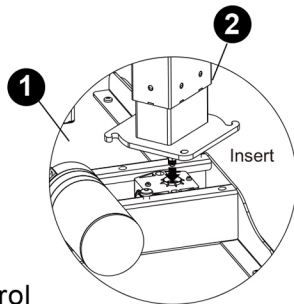


# ASSEMBLY INSTRUCTIONS

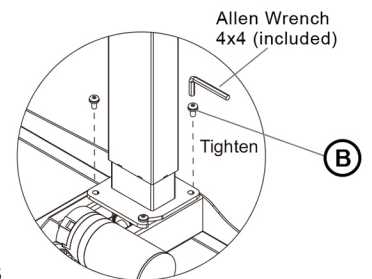
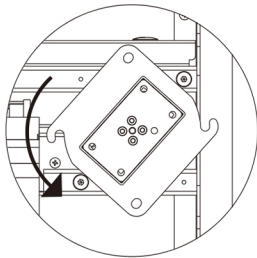


- 1** You will need:  
Part **1** x 1PC  
Part **2** x 2PCS

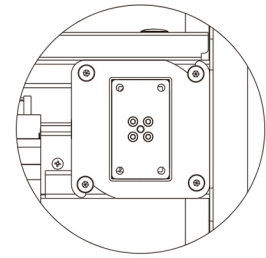
- 2** You will need:  
Hardware **(B)** x 4PCS



Align and twist control boxes **2** to the table top **1**

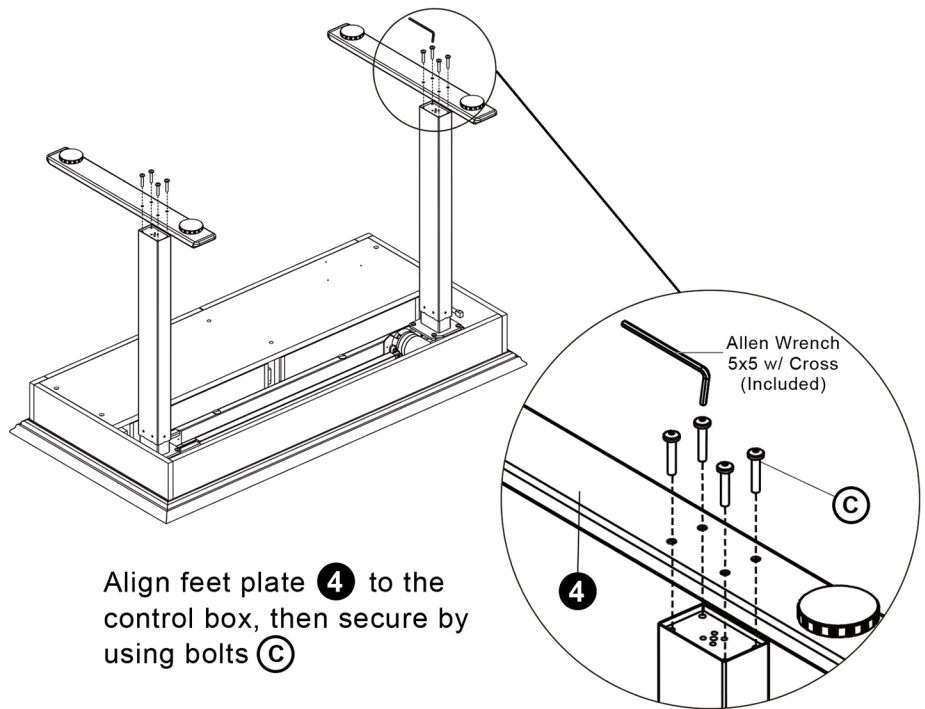


Secure control boxes **2** to table top **1** by using bolts **(B)**

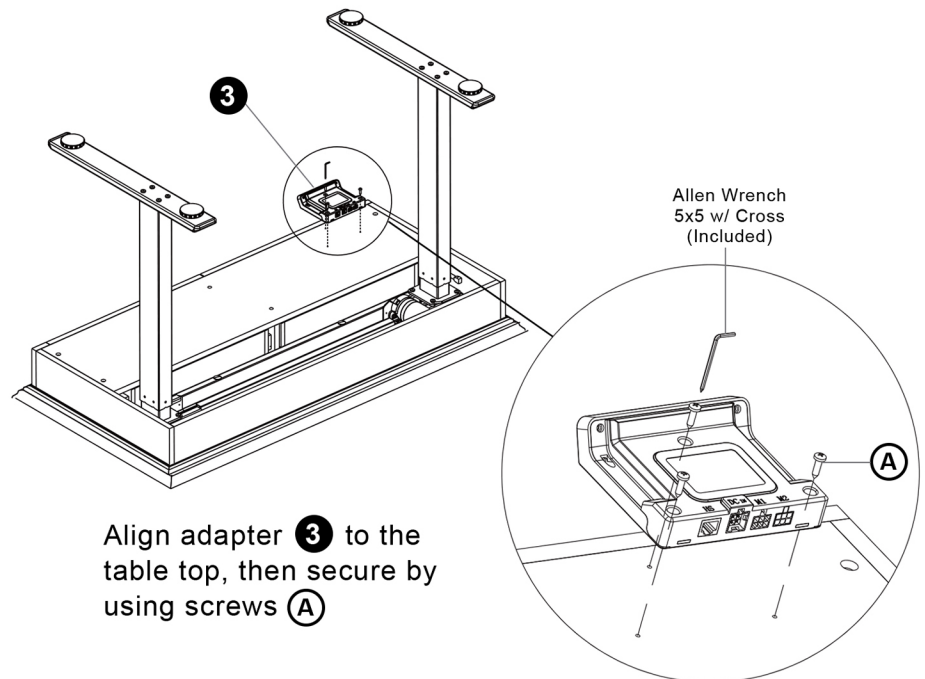


# ASSEMBLY INSTRUCTIONS

- 3** You will need:  
Part **4** x 2PCS  
Hardware **C** x 8PCS



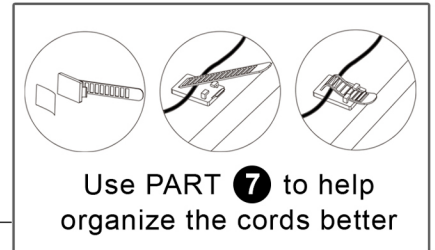
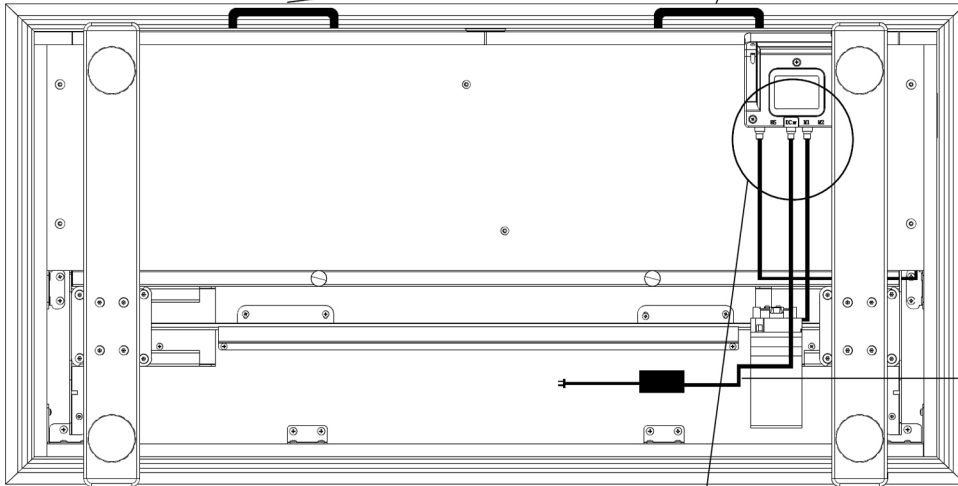
- 4** You will need:  
Part **3** x 1PC  
Hardware **A** x 3PCS



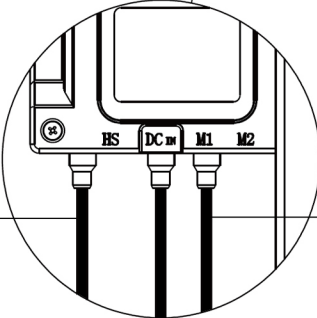
# ASSEMBLY INSTRUCTIONS

- 5** You will need:  
Part **5** x 1PC  
Part **6** x 1PC  
Part **7** x 1PC  
Part **8** x 4PCS

The drawer knobs are pre-assembled to the inside of the drawers. To remove the knobs, unscrew the bolts located on the front of the drawers. Re-install the knobs to the front of the drawers with the same bolts and screw from the inside of the drawers



Connect the USB assembly to the 2-hole interface next to the HS port



Connect the motor cable to the M1 port

<p>Connect Part <b>8</b> to Part <b>6</b>, then flip down the cap to secure connection</p>	<p>Connect Part <b>5</b> to Part <b>6</b></p>	<p>Connect the other side of PART <b>8</b> to the DC IN port</p>
--	---	--

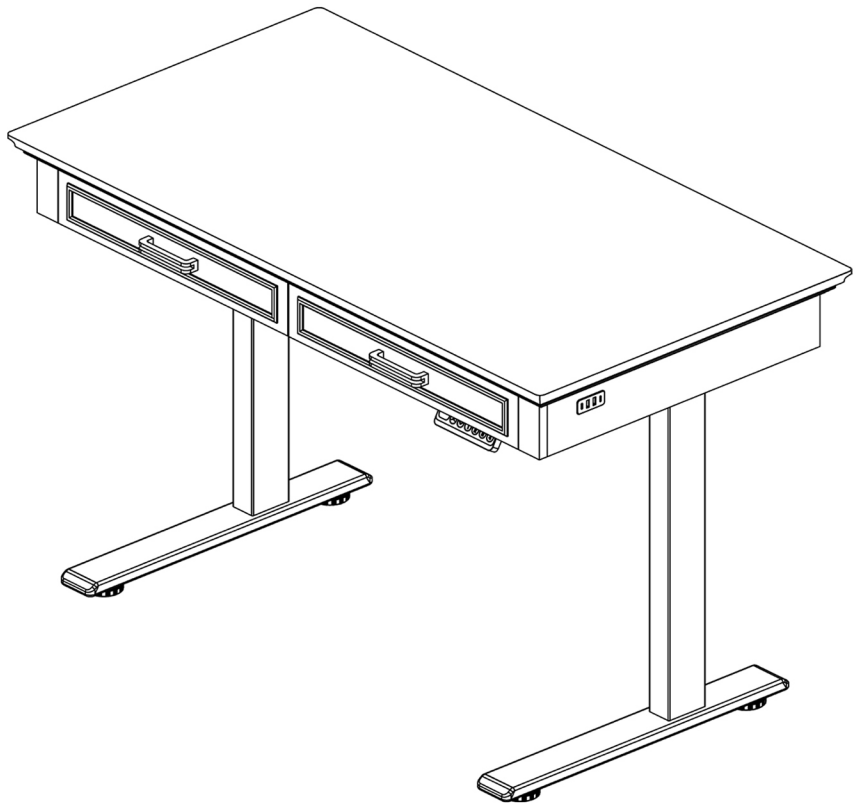
# ASSEMBLY INSTRUCTIONS

6

## ASSEMBLY COMPLETED



Please ensure the product rests on an even and flat surface. If the product wobbles or feels loose, check all bolts and/or screws are properly tightened and secured.



### Keep this handy!

Please retain this instruction manual and any order-related information for future reference.



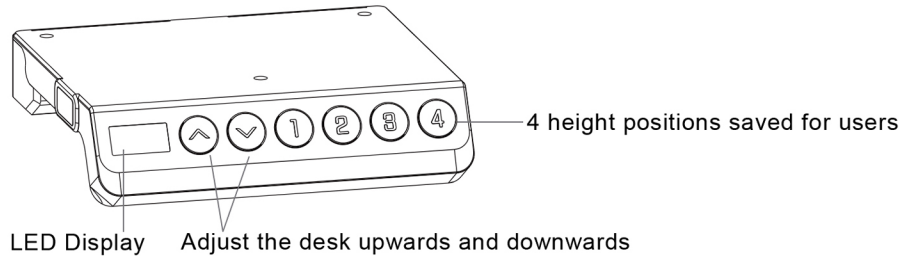
### Lift, don't drag!

To avoid damages or breakages, please always LIFT the product when adjusting or moving.

## TECHNICAL SPECIFICATIONS

Product No.	
Column Stage	2
Max. Load Capacity	40KG
Max Speed	25mm/s
Highest Position	1250mm
Lowest Position	750mm
Height Range	500mm
Tabletop Dimensions	1200x640x18mm
Duty Cycle	10%(Work continuously for 2 minutes, pause for 18 minutes)
Temperature	0~40°C

# ASSEMBLY INSTRUCTIONS



---

## Height Adjustable Function:

Press "▲" or "▼" button and the desk will rise up or go down. At the meantime, the LED display will show the current height.

## Height Memory Function:

1. When the desk is in a static state, long press "1" for three seconds, the display shows "S-1", which means the save is successful.
2. Buttons "2", "3", and "4" all have the same height memory function as button "1", repeat the above steps to save the height to the corresponding position 2 or 3 or 4, and the display screen will corresponding show "S-2" or "S-3" or "S-4".
3. When the tabletop is at any height, press the "1" or "2" or "3" or "4" button to automatically adjust to the previous saved location.

## 29V DC Power Supply Function:

1. When the desk is in operation, the 2-pin at the back of the control box will not output a DC 29V voltage.
2. When the desk is not in operation, the 2-pin at the back of the control box will output a DC 29V voltage.
3. Maximum output power of the USB charging module is 18W.

## Anti-collision Sensitivity Adjustment:

1. Simultaneously press and hold "▲" and "▼" buttons for five seconds to switch the sensitivity levels, total 4 sensitivity levels available.
2. The display shows  $\bar{A}-0$  means the anti-collision function is closed; the display shows  $\bar{A}-3$  means high sensitivity; the display shows  $\bar{A}-2$  means medium sensitivity; the display shows  $\bar{A}-1$  means low sensitivity.
3. When the desk goes up or down, it will rebound immediately when encountering obstacles to protect itself.

## Code Processing

1. Reset function definition: When the LED display shows  $\bar{A}5f$  or  $r5t$ , keep pressing the "▼" button until the desk reach the lowest position and bounce up to stop, the display shows lowest height, release "▼" button to reset, then desk can be used normally.
2. If "E01" or "E02" appears, please let the desk rest for more than 18 minutes before it can be used normally.
3. If other codes appear and there is no response after pressing the "▼" button, please make sure that the cable is not damaged and the connection is normal, and power off for more than 10 seconds, then turn on the power again,  $\bar{A}5f$  or  $r5t$  is displayed, then long press the "▼" button to reset.
4. If the above operations are performed, the table still does not operate normally, please contact customer service.

# ASSEMBLY INSTRUCTIONS

The following tips will help you detected and eliminate the common error.  
If the error you met is not listed below, please contact with customer support.

Errors	Solution
No response while long pressing down arrow after connected with	Check if all the cables are connected properly
	Contact customer support
No response while pressing up arrow/ down arrow after	Check if all the cables are connected properly
	Contact customer support
Rising in a low speed	Check load capacity, do not exceed 40kg
	Contact customer support
The motor not move as instructed	Contact customer support
Go down but not go up	Reset
	Contact customer support
Downward sliding	Check load capacity, do not exceed 40kg
	Contact customer support
Frequently reset	Check load capacity, do not exceed 40kg
	Contact customer support
Overwork (Duty cycle: Max 2min ON /18min OFF)	Restart after suspend for 18mins while connecting with power
	Contact customer support
Not enough up & down height	Reset
	Contact customer support
USB cannot be charged	Reset or wait for 1s after rising and falling before use
Anti-Collision Function	Do not move the drawer when adjusting the height of the desk

## ATTENTION!

1. Power supply: AC100V-240V, 50/60HZ
2. Service environment: 0-40°C
3. Unplug the power plug before cleaning, wipe the dust on surface with slight wet dishcloth when cleaning, be careful not to let the drops into the internal parts, do not loosen the connector.
4. The electric box contains electronic components, metals, plastics, wires etc., so dispose of it in accordance with federal and state environmental legislation, not the general household waste.
5. Check carefully to ensure correct and complete assembly before using.
6. Be familiar with all functions and program settings of the product before first use.
7. Children are forbidden to play with the product because of unforeseen action when playing, so any dangerous consequences caused by this improper action will not be manufacturer's or seller's responsibility.
8. Slight noise caused by the V-ribbed belt or brake system due to structure will not have any effect on the use of the equipment.
9. Corrosive or abrasive materials are forbidden to clean the equipment. Must ensure that the cleaner used will not pollute the environment.
10. This appliance can be used by children aged from 8 years and above and users with reduced physical, sensory or mental capabilities or lack of experience and knowledge if they have been given supervision or instruction concerning use of the appliance in a safe way and understand the hazards involved. Children shall not play with the appliance as toy.
11. Cleaning and user maintenance shall not be made by children without supervision.
12. If the supply cord is damaged, it must be replaced, please contact customer support or a similarly qualified person in order to prevent hazard.
13. Please make sure there is no hazard sources in your operating environment. e.g., do not litter the tools around. Always be careful to treat the packaging materials in order to avoid any possible danger, plastic bag may lead to choking hazard to children.