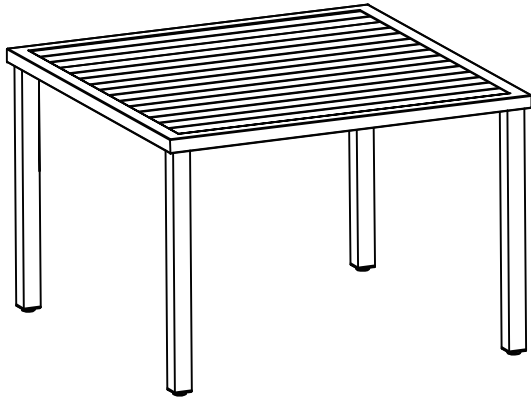


STEEL SLAT SQUARE TABLE

ASSEMBLY MANUAL








Assembly Instructions

- Prior to assembly, ensure that you lay out and identify all the parts listed in the parts list.
- Tighten all nuts and bolts securely. Hand-tighten all bolts before use. Avoid using power tools or applying excessive force during assembly and bolt tightening.
- If you encounter any difficulties during assembly or if any part is missing or damaged, please don't hesitate to contact our customer service team via email.
866-

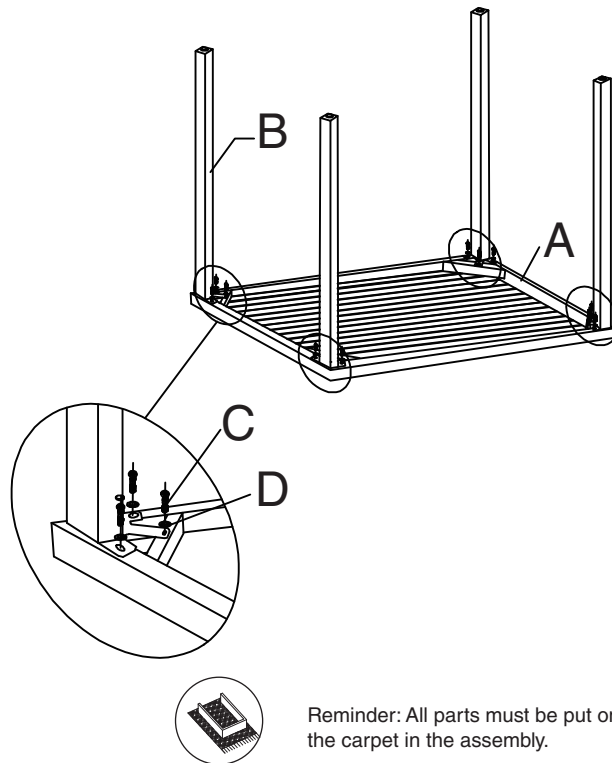
Care and warranty

- The weight capacity of this table is 50 lbs.
- Clean the frame components with a mild soap solution, then rinse thoroughly. Avoid using bleach, acid, or any other solvents on either the fabric or frame components.
- For a comprehensive warranty policy. Be aware that warranty terms can change without prior notification.
- For the best performance and safety of your table, inspect and tighten all bolts and fasteners regularly

Part list

Part	Description	Qty
A	 Top	1
B	 Leg	4
C	 M6*12 Screws	12
D	 M6 Washer	12
E	 Allen key	2

1. Connect Top Part (A) and Legs Part (B) using Screws (C) and Washers (D) as shown in the diagram.



Reminder: All parts must be put on the carpet in the assembly.

2. Lastly, double-check that all screws are securely tightened before use.

