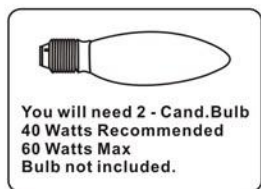
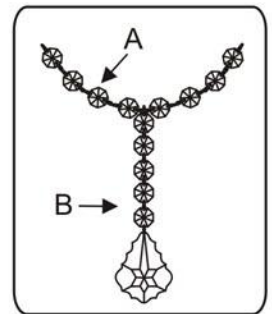
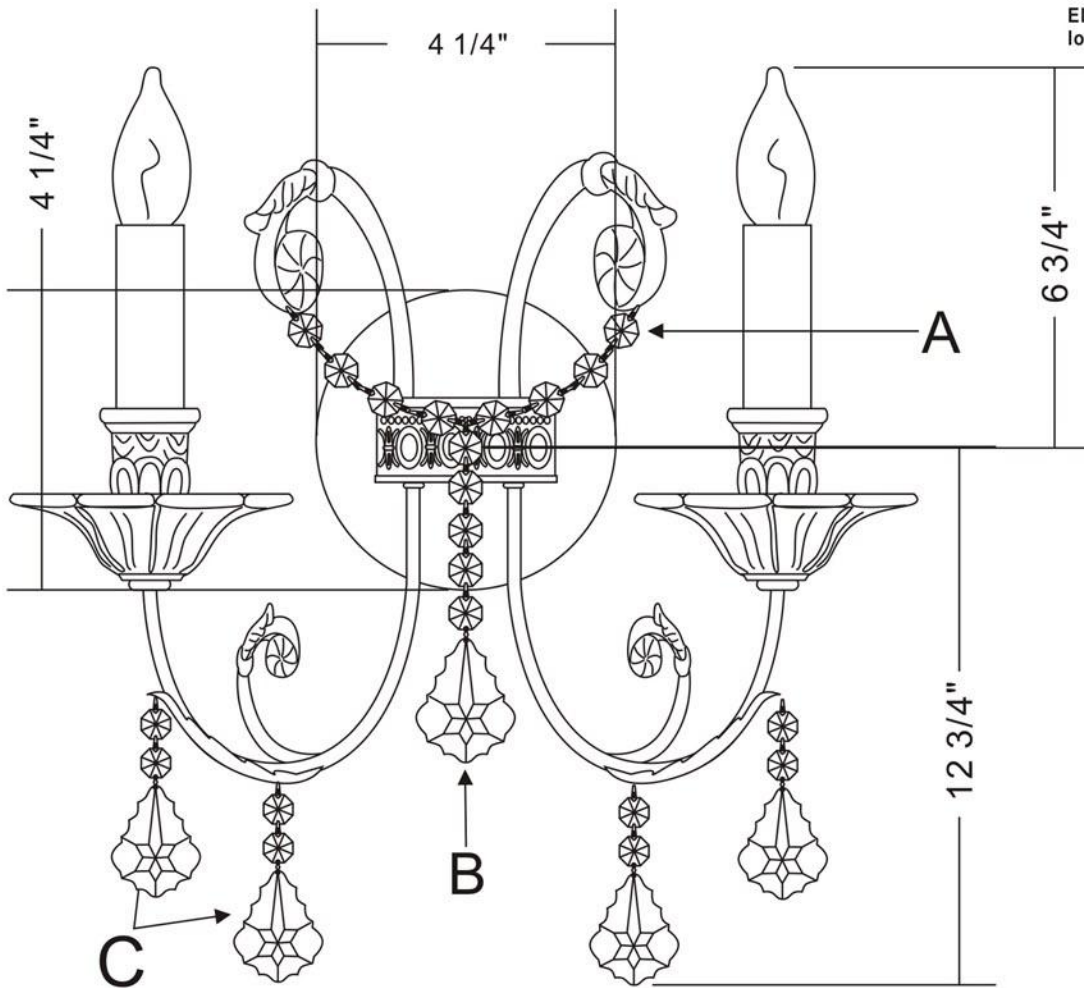





ASSEMBLY AND DRESSING INSTRUCTIONS



All electrical components must be installed by a licensed electrician in accordance with the National Electric Code and the appropriate local electrical codes.



- A =  (14mm * 8) * 1 set
- B =  (14mm * 5 + 76mm) * 1 set
- C =  (14mm * 2 + 76mm) * 4 sets

