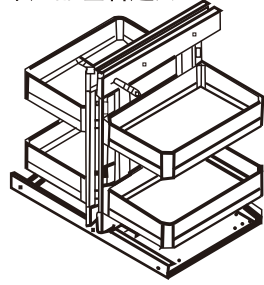


全开小怪物安装说明书

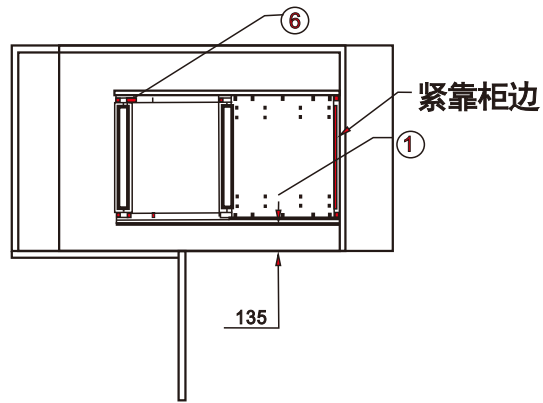
使用说明:
 1, 安装前请仔细阅读安装说明书
 2, 本产品适用于800-900柜体,带门柱铰链柜体。
 3, 适用柜体尺寸内空≥ 800, 内高≥ 600 内深 ≥ 550。
 4, 本产品左右通用



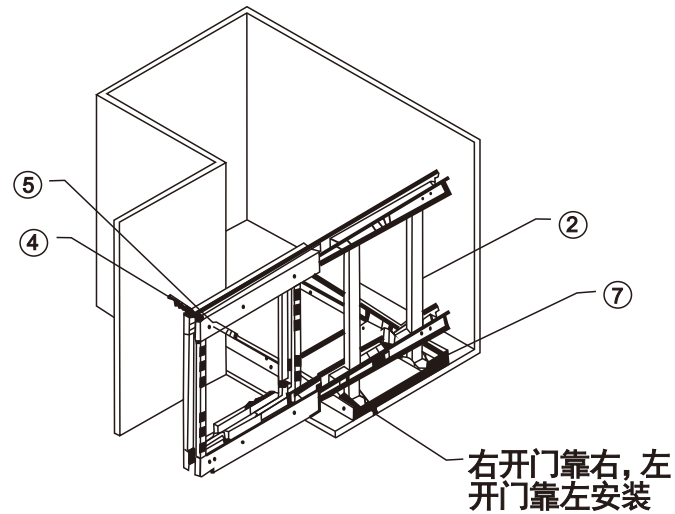
零配件清单

① 底架		② 主架		③ 选配篮子	
1pcs		1pcs		4pcs	
④ 手柄	⑤ M5*22	⑥ ST4*14	⑦ M6*10		
2pcs	2pcs	6pcs	8pcs		

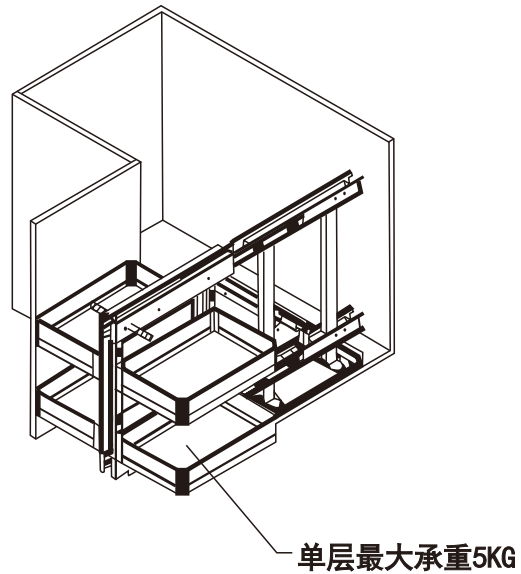
安装步骤一:
 1, 将底架⑤, 放置在柜体内, 将纸卡放置在柜内, 对齐门边打螺钉⑥ 固定。
 2, 此图以右开门柜子为图示, 左开门柜子相反。



安装步骤二:
 1, 将主架② 用螺钉⑦ 装在底架上①
 2, 将主架② 拉出, 用螺钉⑤ 锁上手柄④

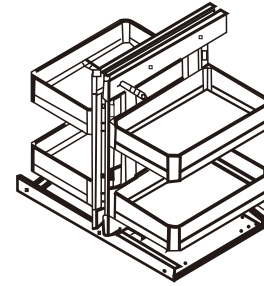


安装步骤三:
 1, 将主架② 拉出, 装上篮子③



Fully open little monster installation instructions

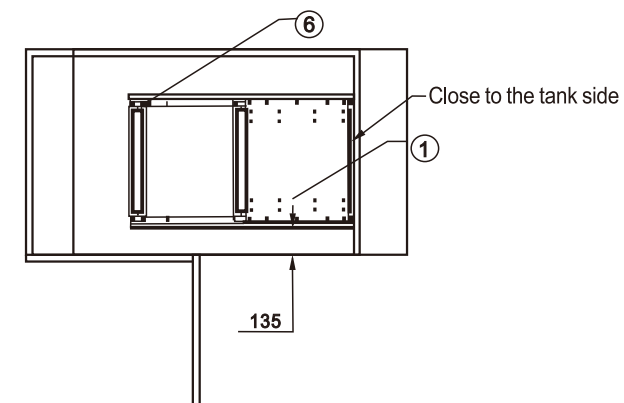
INSTRUCTIONS FOR USE:
 1. Please read the installation carefully before installationThe instructions
 2. This product is suitable for 800-900 cabinetcases, with door post hinge Cabinet put oneself in another's position.
 3. It is applicable to 800 inside the cabinet size and600 inside the height Deep within 550.
 4. This product is widely used



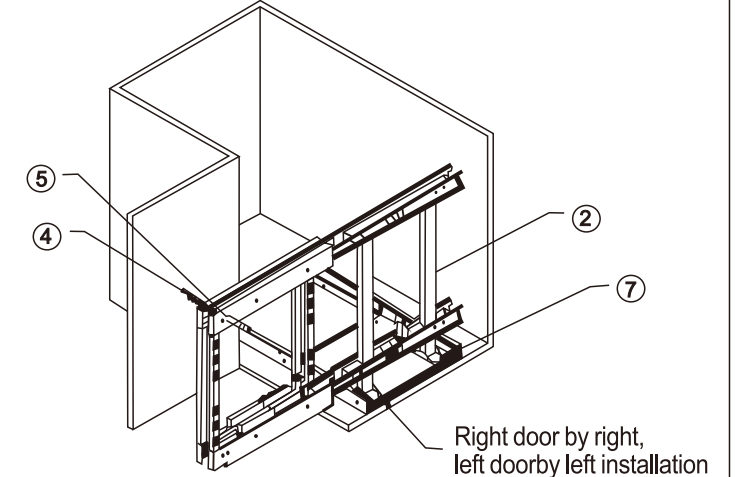
Parts list

① Chassis		② The main frame		③ Equipped with the basket	
1pcs		1pcs		4pcs	
④ The handle	⑤ M5*22	⑥ ST4*14	⑦ M6*10		
2pcs	2pcs	6pcs	8pcs		

INSTALLATION STEP 1:
 1. Place the bottom frame 5 in the cabinet and the paper card in the cabinet.Align the door edges with screws 6 fixed.
 2. The figure is illustrated by the right open-door cabinet and the left open-door cabinet is opposite.



INSTALLATION STEP 2:
 1. Install the main frame 2 on the bottom frame 1 with screw 7
 2. Pull out the main frame 2 and lock the handle 4 with screw 5



INSTALLATION STEP 3:
 1. Pull out frame 2 and load basket 3

