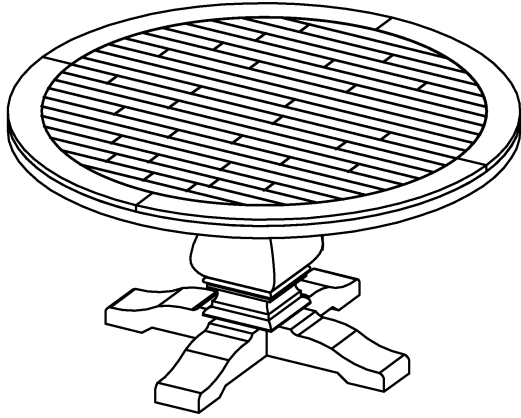


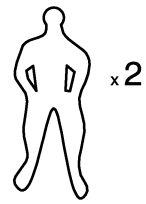
ROUND TABLE TOP ROUND TABLE BASE



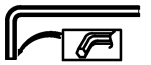
ASSEMBLY INSTRUCTIONS



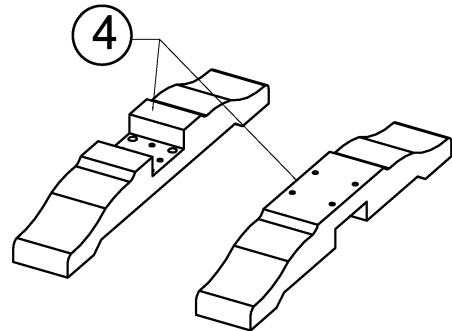
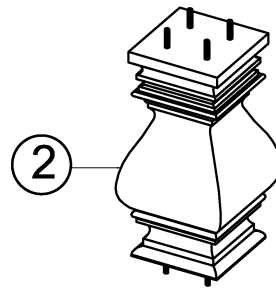
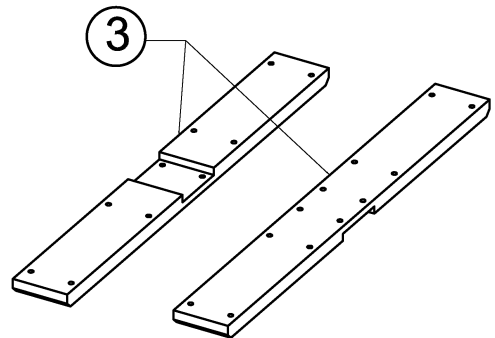
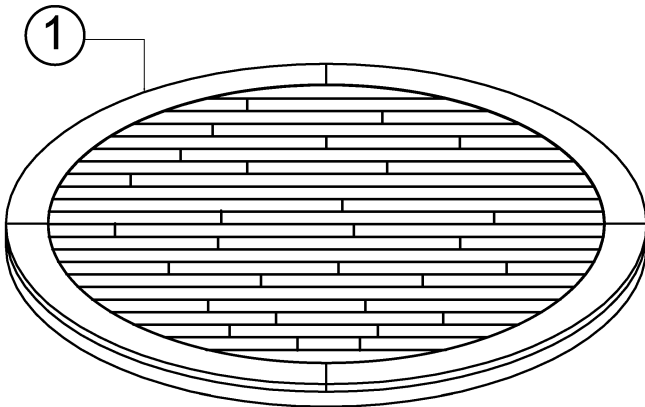
30 MIN



x2



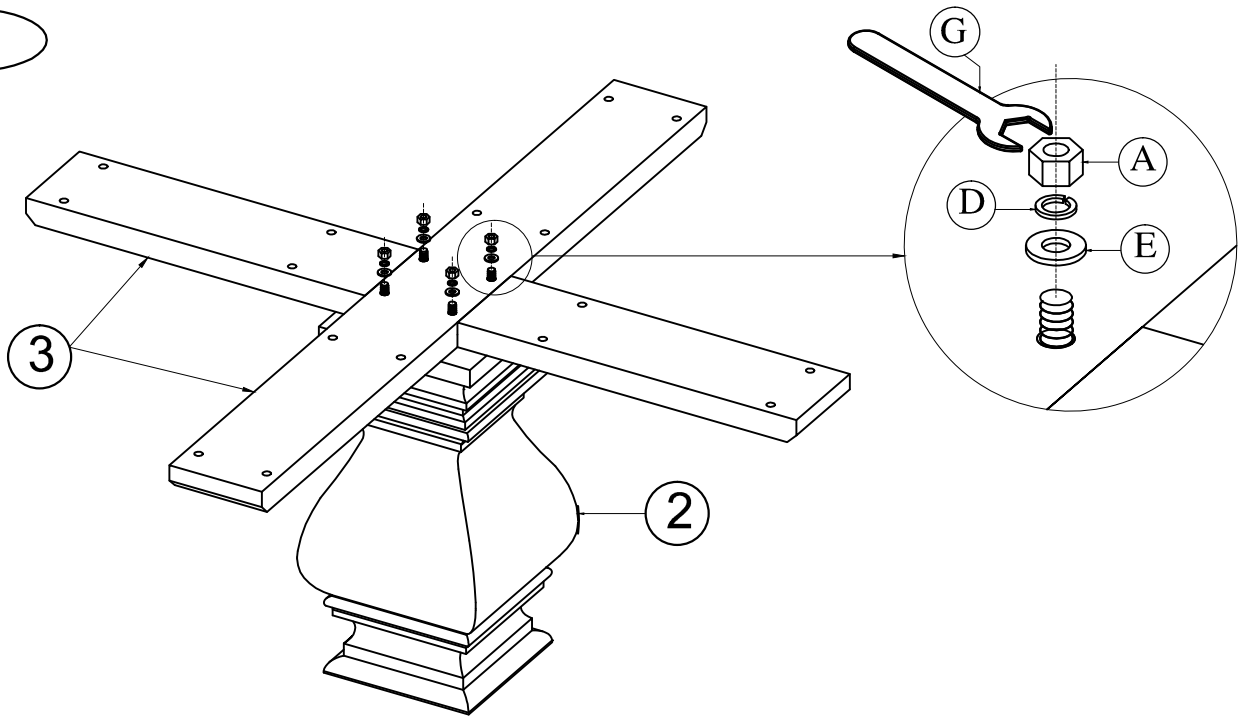
①	TOP x 1 PC
②	PEDESTAL x 1 PC
③	CONNECTION TOP BAR x 2 PCS
④	BASE FOOT x 2 PCS

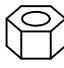





 A M8 08 PCS	 B M8 x 50(Ø15) 16 PCS	 C M8 x 60(Ø15) 04 PCS
---------------------------	-------------------------------------	-------------------------------------

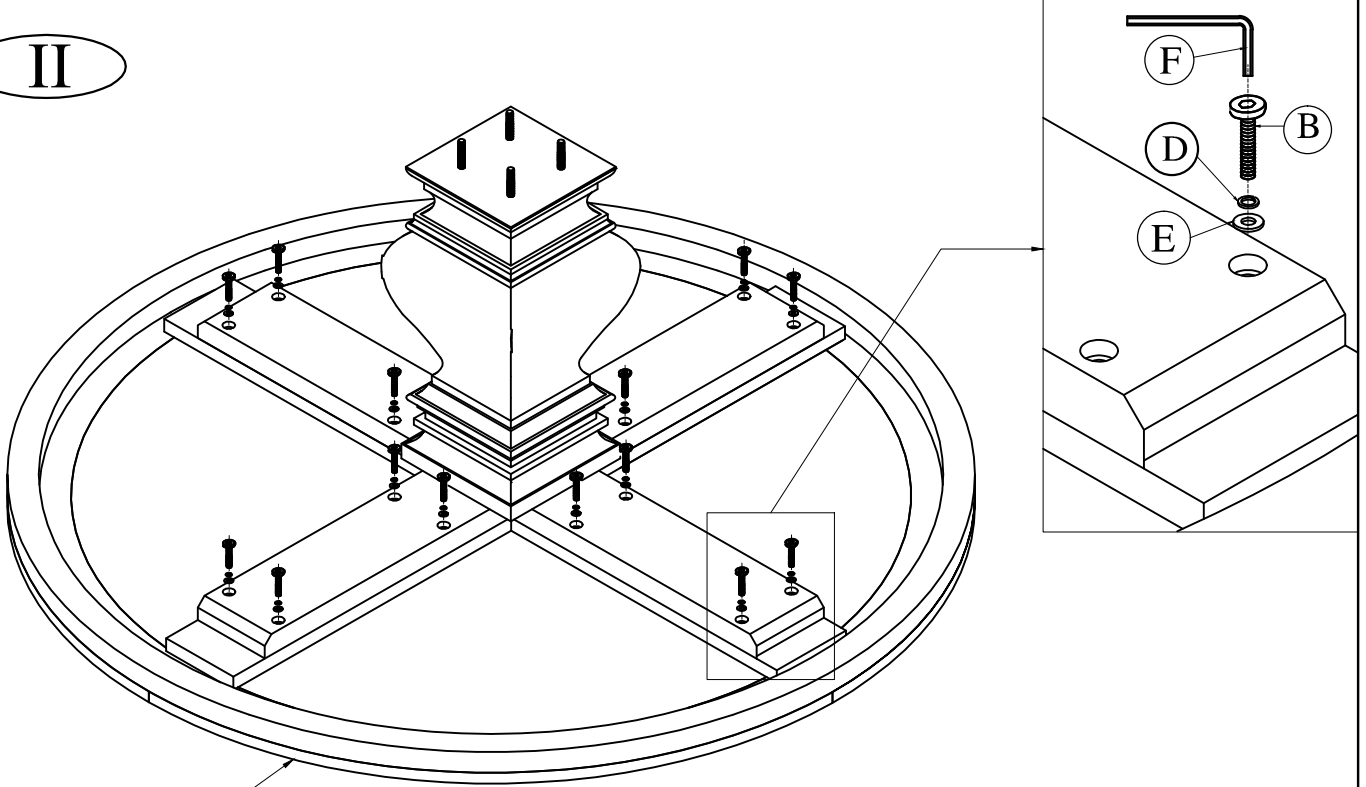
 D M8 x Ø13 x 1.2 28 PCS	 E M8 x Ø19 x 2 28 PCS	 F Ø4 x 60 1PC	 G M13 x 90 1 PC
---------------------------------------	-------------------------------------	-----------------------------	-------------------------------





I



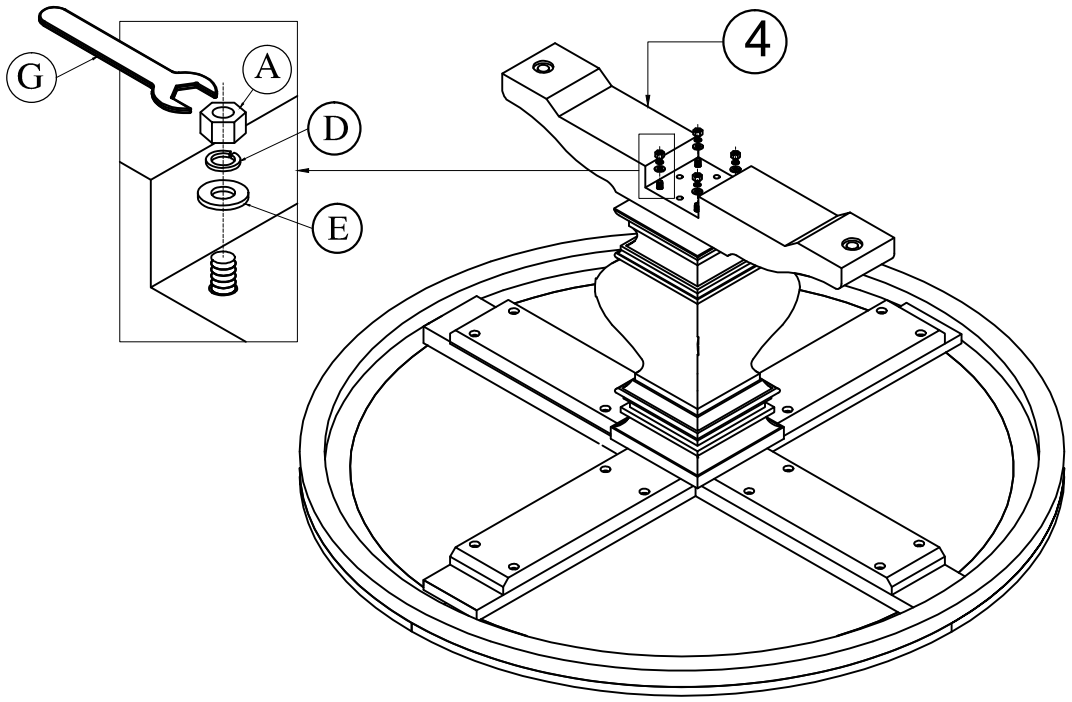
<p>(A)</p>  <p>M8 04 PCS</p>	<p>(D)</p>  <p>M8 x Ø13 x 1.2 04PCS</p>	<p>(E)</p>  <p>M8 x Ø19 x 2 04 PCS</p>	<p>(G)</p>  <p>M13 x 90 1 PC</p>
--	---	--	--

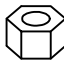



II



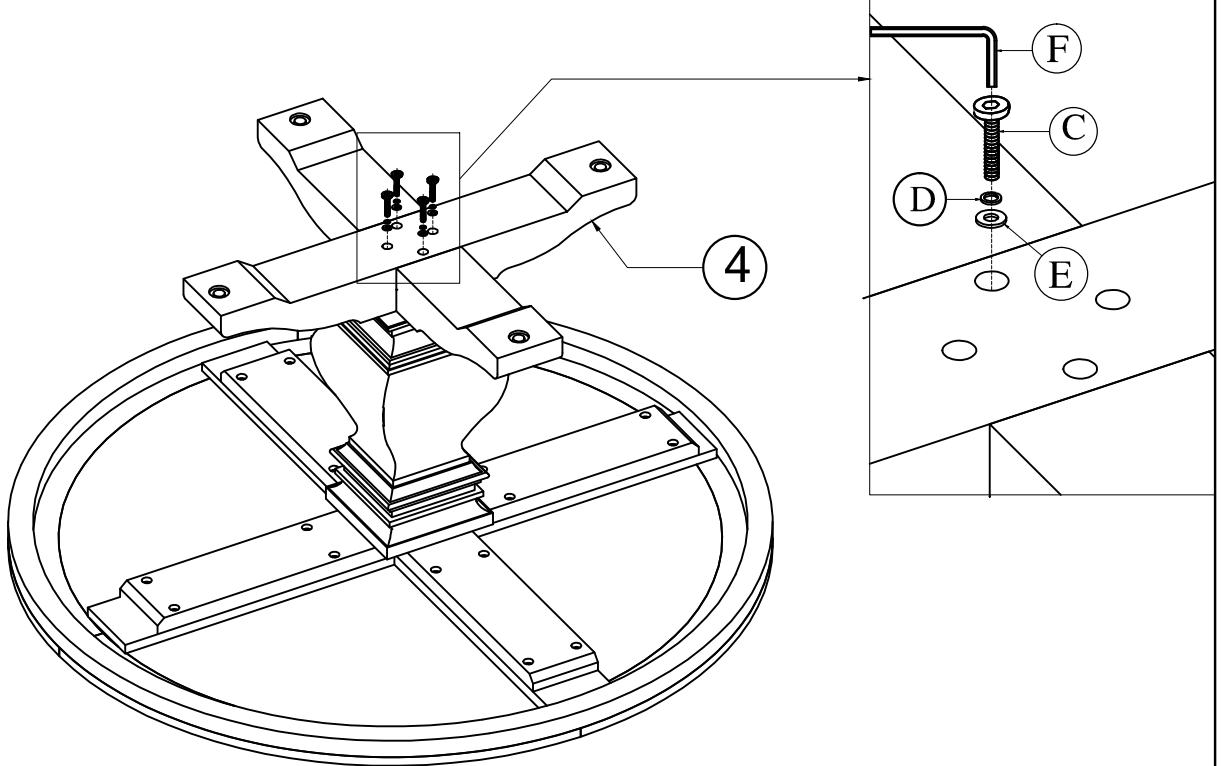
<p>(B)</p>  <p>M8 x 50(Ø15) 16 PCS</p>	<p>(D)</p>  <p>M8 x Ø13 x 1.2 16 PCS</p>	<p>(E)</p>  <p>M8 x Ø19 x 2 16 PCS</p>	<p>(F)</p>  <p>Ø4 x 60 1PC</p>
---	---	---	---





III



<p>(A)</p>  <p>M8 04 PCS</p>	<p>(D)</p>  <p>M8 x Ø13 x 1.2 04PCS</p>	<p>(E)</p>  <p>M8 x Ø19 x 2 04 PCS</p>	<p>(G)</p>  <p>M13 x 90 1 PC</p>
--	---	--	--

IV



<p>(C)</p>  <p>M8 x 60(Ø15) 04 PCS</p>	<p>(D)</p>  <p>M8 x Ø13 x 1.2 04 PCS</p>	<p>(E)</p>  <p>M8 x Ø19 x 2 04 PCS</p>	<p>(F)</p>  <p>Ø4 x 60 1PC</p>
---	---	---	---

ASSEMBLY IS COMPLETE

