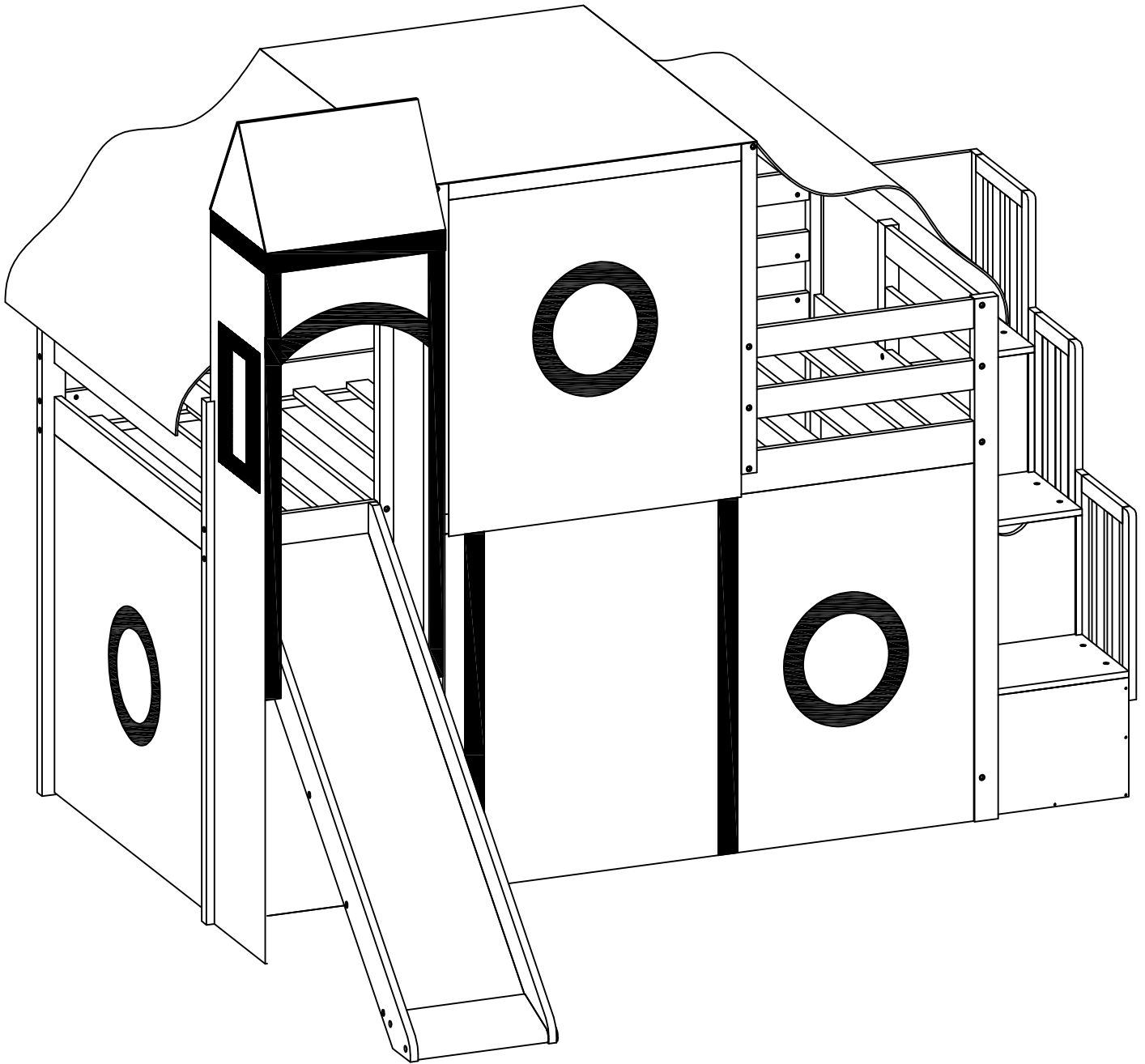


ASSEMBLY INSTRUCTION

SKU CODE: WF311623 / WF311624





SAFETY WARNINGS



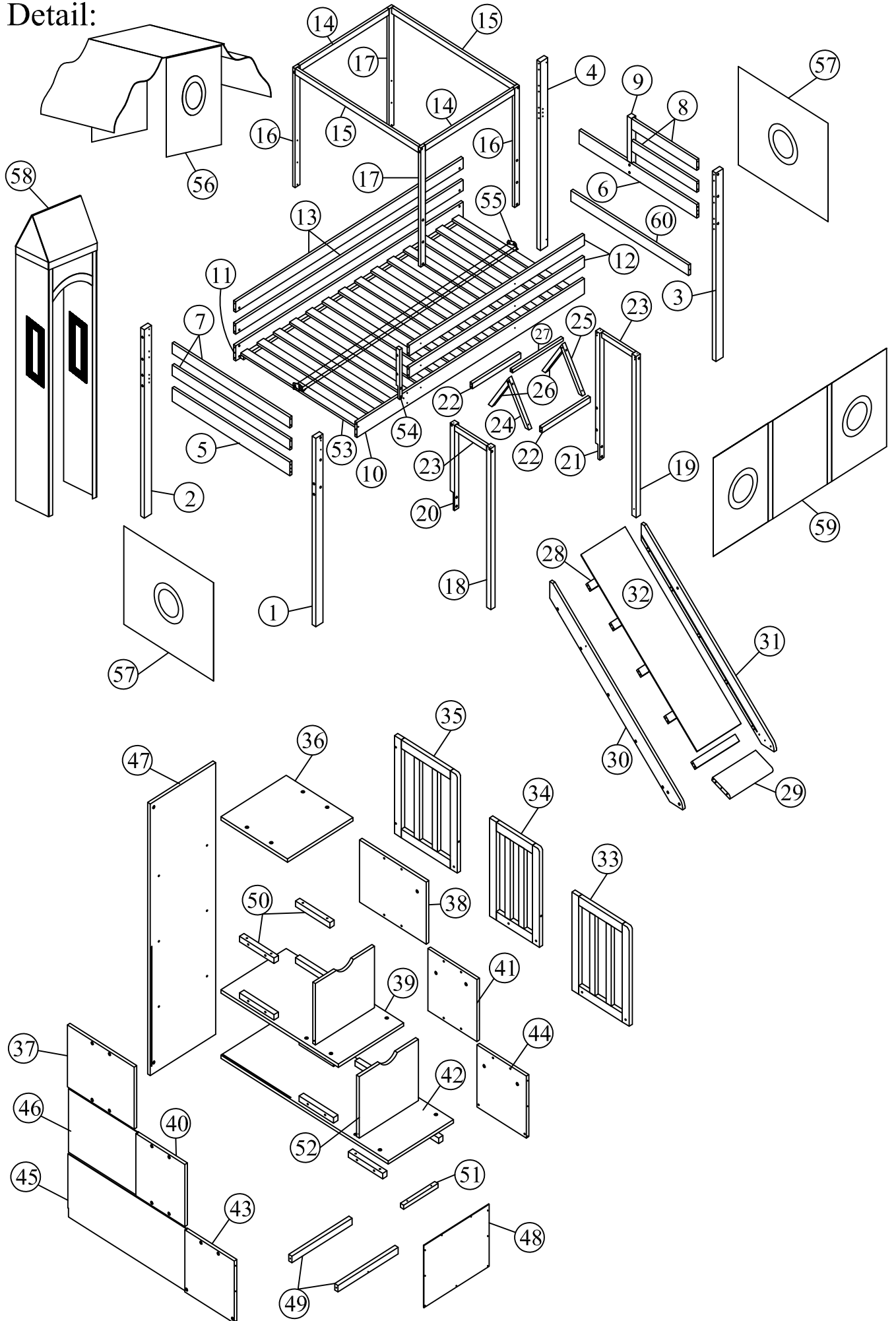
1. This bed is designed for use only mattress(es) meeting the following specifications on the upper bunk:
Upper bunk (bunk bed and tribed included)

Upper bed


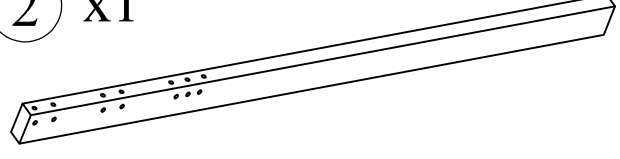
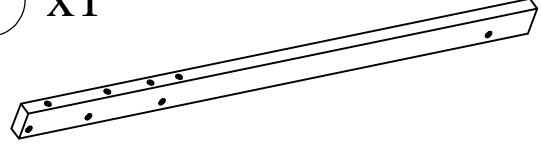
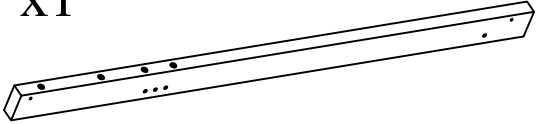
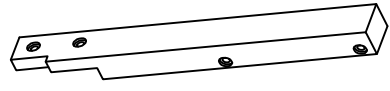
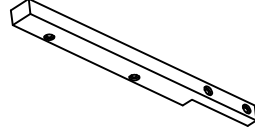
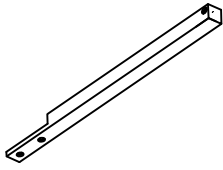
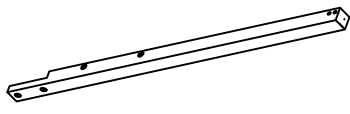

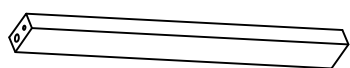
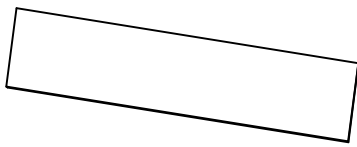
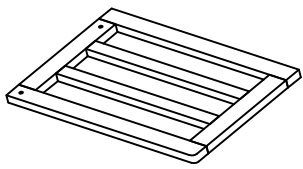
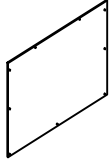
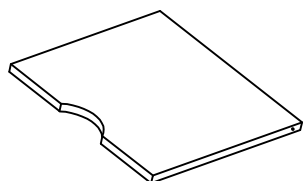
<i>Bed Type</i>	Length	Width	Thickness
<i>Full Standard</i>	74"-75"	53"-54"	6" max

2. Replacement parts, including additional guardrails, maybe obtained from any of our (GIGACLOUDTECHNOLOGY (USA) INC. 18961 ARENTH AVENUE CITY OF INDUSTRY, CA, 91748) dealers.
3. Follow the information on the warnings appearing on the upper bunk bed end structure and on the carton. Do not remove warning label from bed.
4. Always use the recommended size mattresses or mattress supports, or both, to help prevent the likelihood of entrapment or falls.
5. Surface of the mattress must be at least 5". (127 mm) below the upper edge of guardrails.
6. Do not allow children under 6 years of age to use the upper bunk.
7. Periodically check and ensure that the guardrail, ladder, and other components are in their proper position, free from damage, and that all connectors are tight.
8. Do not allow horseplay on or under the bed and prohibit jumping on the bed
9. Always use the ladder for entering and leaving the upper bunk.
10. Do not use substitute parts. Contact the manufacturer or dealer for replacement parts.
11. Use of a night light may provided added safety precaution for a child using the upper bunk.
12. Always use guardrails on both long sides of the upper bunk. If the bunk bed will be placed next to the wall, the guardrail that runs the full length of the bed should be placed against the wall to prevent entrapment between the bed and wall.
13. The use of water or sleep flotation mattresses is prohibited.
14. STRANGULATION HAZARD - Never attach or hang items to any part of the bunk bed that are not designed for use with the bed; for example, but not limited to, hook, belts and jump ropes.
15. Keep these instructions for future reference
16. Prohibit more than one person on upper bunk.
17. We recommend assembling your bunk bed on the shipping carton to protect your floor or carpet.
18. Be certain all staples are out of the box before beginning assembly on the shipping carton.

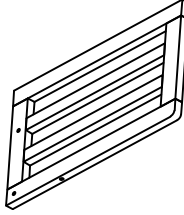
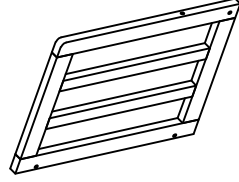
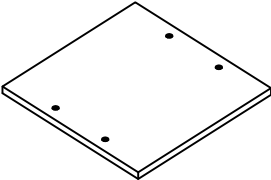
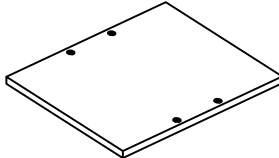
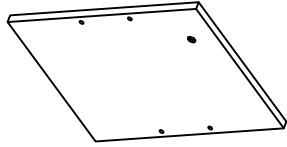
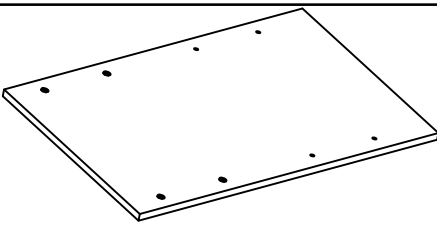
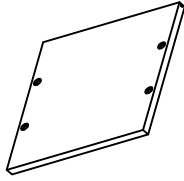
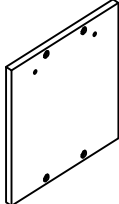
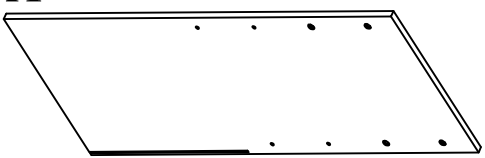
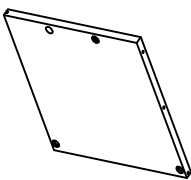
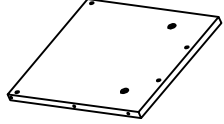
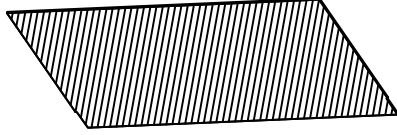
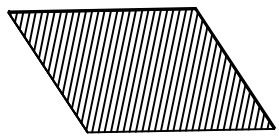
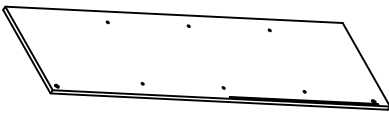
Detail:




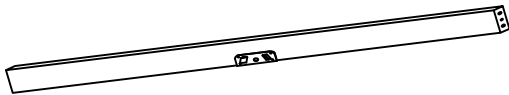

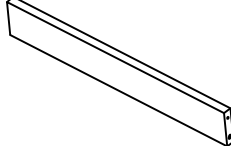
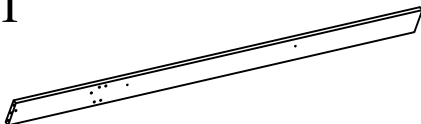
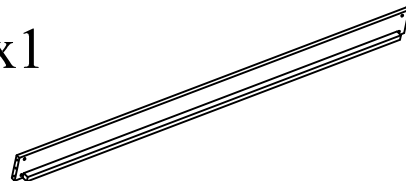
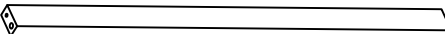
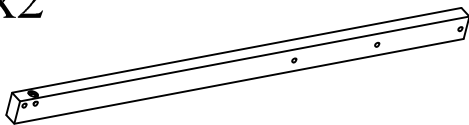
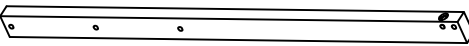



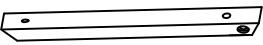
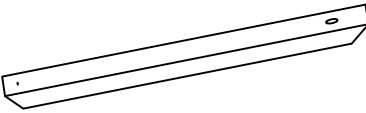
Part List (WF311623)

<p>① x1</p>  <p>Front Left Leg</p>	<p>② x1</p>  <p>Back Left Leg</p>
<p>③ x1</p>  <p>Front Right Leg</p>	<p>④ x1</p>  <p>Back Right Leg</p>
<p>⑨ x1</p>  <p>Guarait reinforce Bar</p>	<p>⑤④ x1</p>  <p>Guarait reinforce Bar</p>
<p>②① x1</p>  <p>Leg (back) Left</p>	<p>②① x1</p>  <p>Leg (back) Right</p>
<p>②② x2</p>  <p>Frame Front</p>	<p>②③ x2</p>  <p>Frame Front</p>
<p>③② x1</p>  <p>Bottom Slide</p>	<p>③③ x1</p>  <p>Frame Handrail</p>
<p>④⑧ x1</p>  <p>Panel Ladder Post 3</p>	<p>⑤② x2</p>  <p>Front Ladder Posts</p>

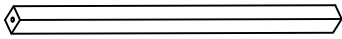

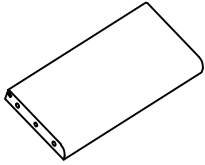
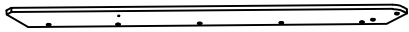
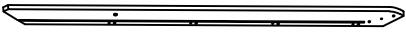

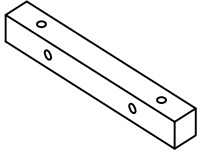
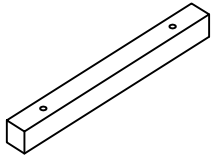
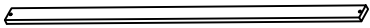
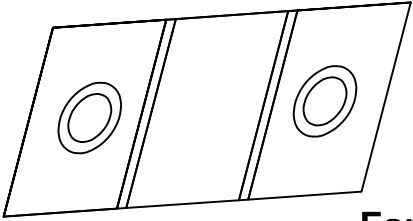
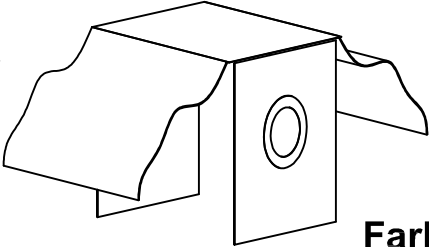
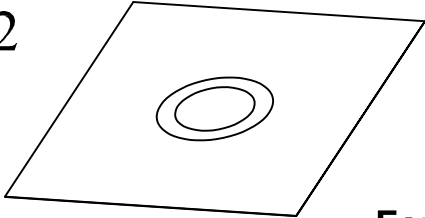
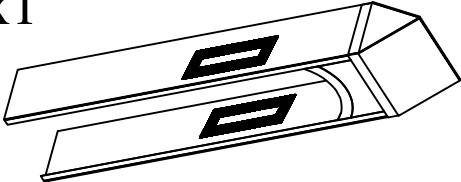

Part List (WF311623)

<p>③④ x1</p>  <p>Frame Handrail</p>	<p>③⑤ x1</p>  <p>Frame Handrail</p>
<p>③⑥ x1</p>  <p>Front Ladder Post 1</p>	<p>③⑦ x1</p>  <p>Side Ladder Post 1</p>
<p>③⑧ x1</p>  <p>Side Ladder Post 1</p>	<p>③⑨ x1</p>  <p>Front Ladder Post 2</p>
<p>④① x1</p>  <p>Side Ladder Post 2</p>	<p>④② x1</p>  <p>Side Ladder Post 2</p>
<p>④③ x1</p>  <p>Front Ladder Post 3</p>	<p>④④ x1</p>  <p>Side Ladder Post 3</p>
<p>④⑤ x1</p>  <p>Side Ladder Post 3</p>	<p>④⑥ x1</p>  <p>Panel Frame Handrail</p>
<p>④⑦ x1</p>  <p>Panel Frame Handrail</p>	<p>④⑧ x1</p>  <p>Back Ladder</p>

Part List (WF311624)

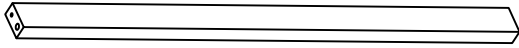
<p>⑤ x1</p>  <p style="text-align: center;">Side Rail Guard</p>	<p>⑥ x1</p>  <p style="text-align: center;">Side Rail Guard</p>
<p>⑦ x2</p>  <p style="text-align: center;">Side Rail Guards</p>	<p>⑧ x2</p>  <p style="text-align: center;">Side Rail Guards</p>
<p>⑩ x1</p>  <p style="text-align: center;">Front Side Rail</p>	<p>⑪ x1</p>  <p style="text-align: center;">Back Side Rail</p>
<p>⑭ x2</p>  <p style="text-align: center;">Side Rail Guards</p>	<p>⑯ x2</p>  <p style="text-align: center;">Top Guard</p>
<p>⑰ x2</p>  <p style="text-align: center;">Top Guard</p>	<p>⑱ x1</p>  <p style="text-align: center;">Leg (front) Left</p>
<p>⑲ x1</p>  <p style="text-align: center;">Leg (front) Right</p>	<p>⑳ x1</p>  <p style="text-align: center;">Frame Front</p>
<p>㉕ x1</p>  <p style="text-align: center;">Frame Front</p>	<p>㉖ x2</p>  <p style="text-align: center;">Frame Front</p>

Part List (WF311624)

<p>②7 x1</p>  <p style="text-align: center;">Frame Front</p>	<p>②8 x5</p>  <p style="text-align: center;">Support Slide</p>
<p>②9 x1</p>  <p style="text-align: center;">Bottom Slide</p>	<p>③0 x1</p>  <p style="text-align: center;">Left Leg Ladder</p>
<p>③1 x1</p>  <p style="text-align: center;">Right Leg Ladder</p>	<p>④9 x2</p>  <p style="text-align: center;">Frame Handrail</p>
<p>⑤0 x10</p>  <p style="text-align: center;">Connect wooden stick</p>	<p>⑤1 x1</p>  <p style="text-align: center;">Connect wooden stick</p>
<p>⑤3 x14</p>  <p style="text-align: center;">Slats</p>	<p>⑤9 x1</p>  <p style="text-align: center;">Fabric</p>
<p>⑤6 x1</p>  <p style="text-align: center;">Fabric</p>	<p>⑤7 x2</p>  <p style="text-align: center;">Fabric</p>
<p>⑤8 x1</p>  <p style="text-align: center;">Fabric</p>	<p>⑥0 x1</p>  <p style="text-align: center;">Side Rail Guard</p>

Part List (WF311624)

①5 x2



Top Guard

①3 x2



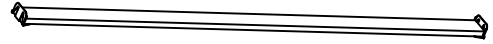
Side Rail Guards

①2 x2



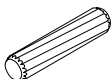
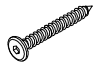
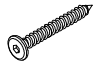
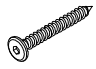

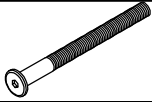

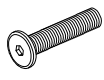
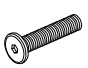
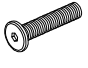

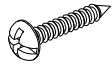
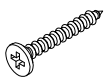
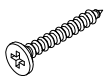
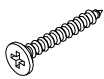
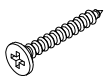


Side Rail Guards

⑤5 x1

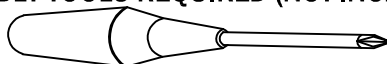


Support Slat




Hardware List (WF311624)

No.	OUTLOOK	DESC	QTY
(A)		Dowel Ø8*30mm	56pcs
(B)		Screws M6*30mm	16pcs
(C)		Screws M6*35mm	10pcs
(D)		Screws M6*50mm	22pcs
(E)		Screws M6*70mm	6pcs
(F)		Bolts M6*100mm	14pcs
(G)		Bolts M6*70mm	24pcs
(H)		Bolts M6*45mm	4pcs
(I)		Bolts M6*35mm	2pcs
(J)		Bolts M6*25mm	51pcs
(K)		Cross dowel M6* 13mm	38pcs
(L)		Round head screw #8* 15mm	6pcs
(M)		Flat head screw #8* 40mm	4pcs
(N)		Flat head screw #8* 25mm	30pcs
(O)		Flat head screw #8* 20mm	8pcs
(P)		Flat head screw #7* 12mm	12pcs
(Q)		Inhaler Magnet	4pcs
(X)		Base L	2pcs

ASSEMBLY TOOLS REQUIRED (NOT INCLUDED)






Hardware List (WF311624)

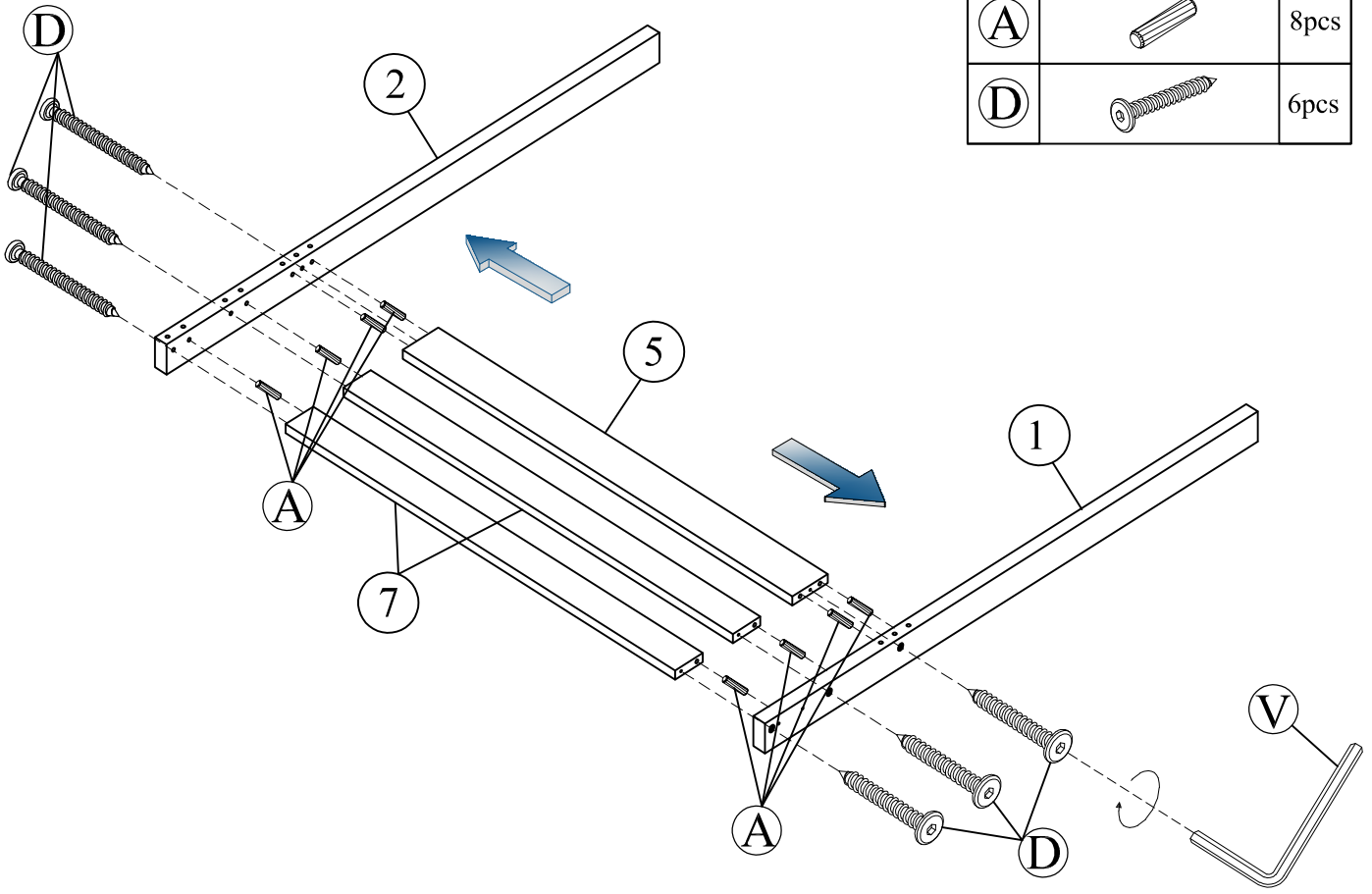
No.	OUTLOOK	DESC	QTY
Y		Dowel Ø5*20mm	4pcs
Z		Bolts M6*15mm	11pcs
V		Allen key 60*22*4mm	1pc

ASSEMBLY TOOLS REQUIRED (NOT INCLUDED)



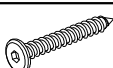


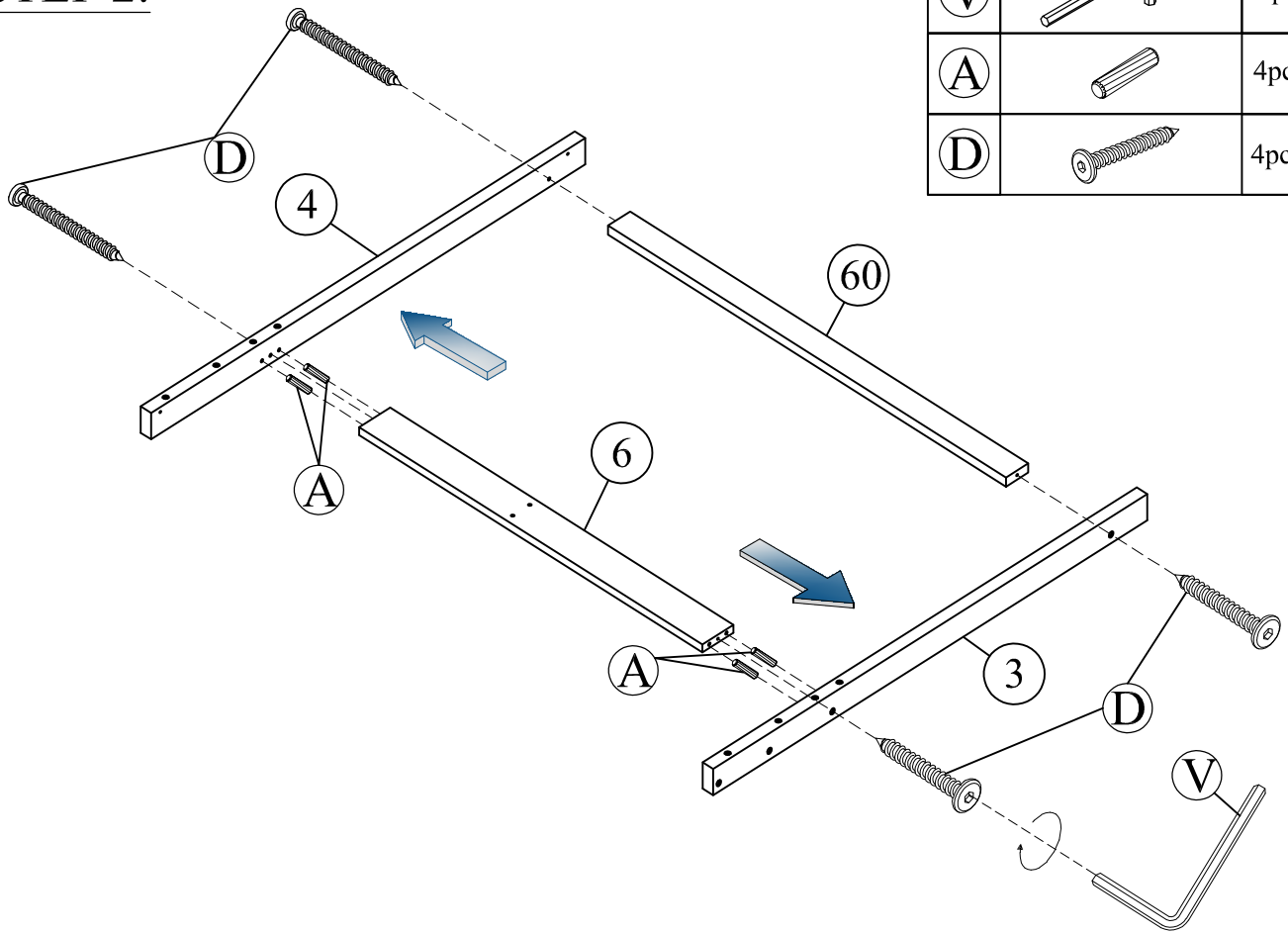
STEP 1:

(V)		1pc
(A)		8pcs
(D)		6pcs

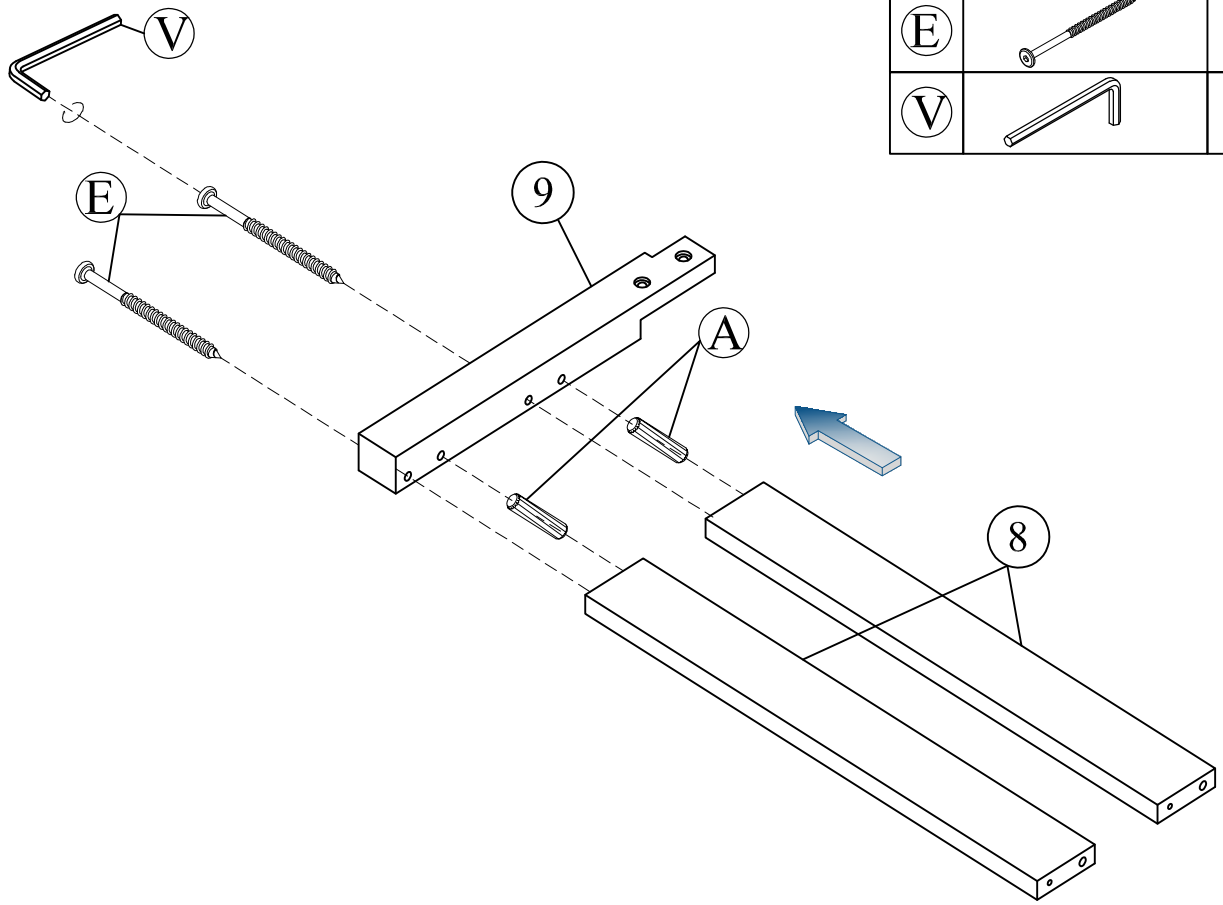


STEP 2:

(V)		1pc
(A)		4pcs
(D)		4pcs

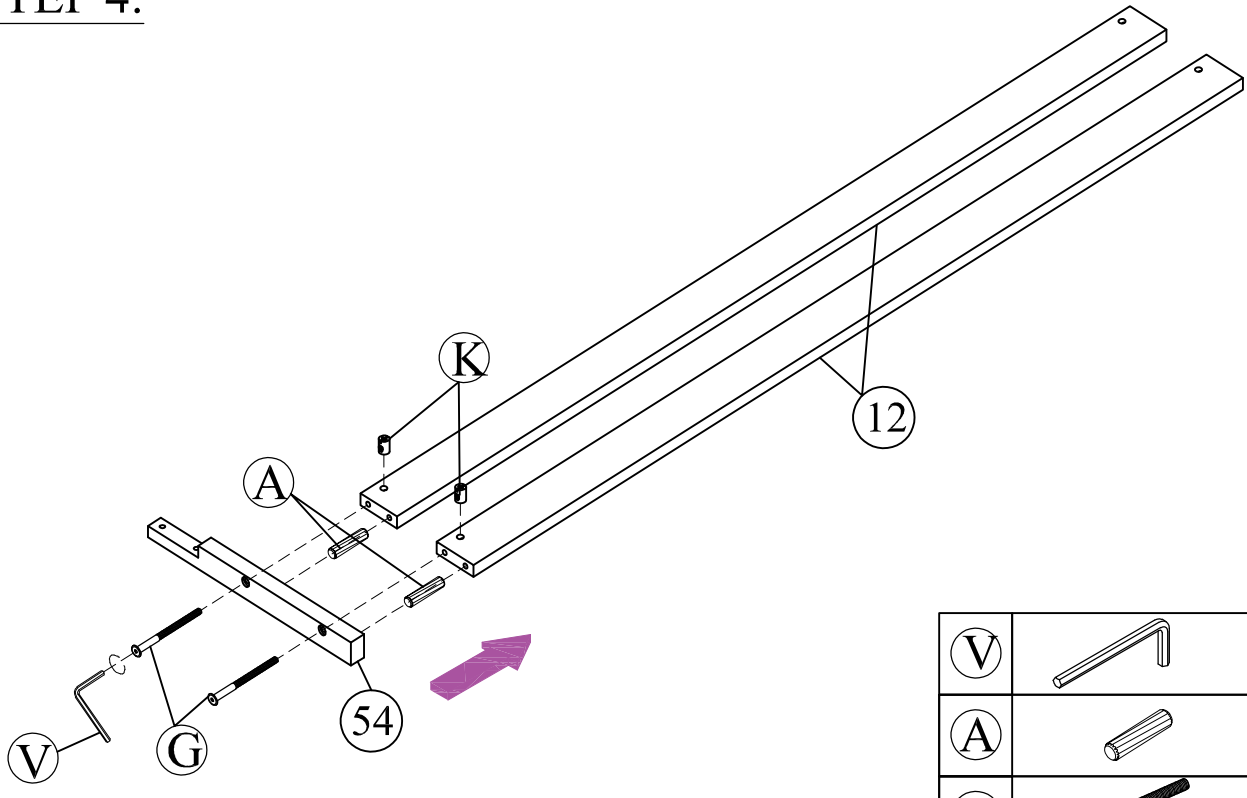


STEP 3:



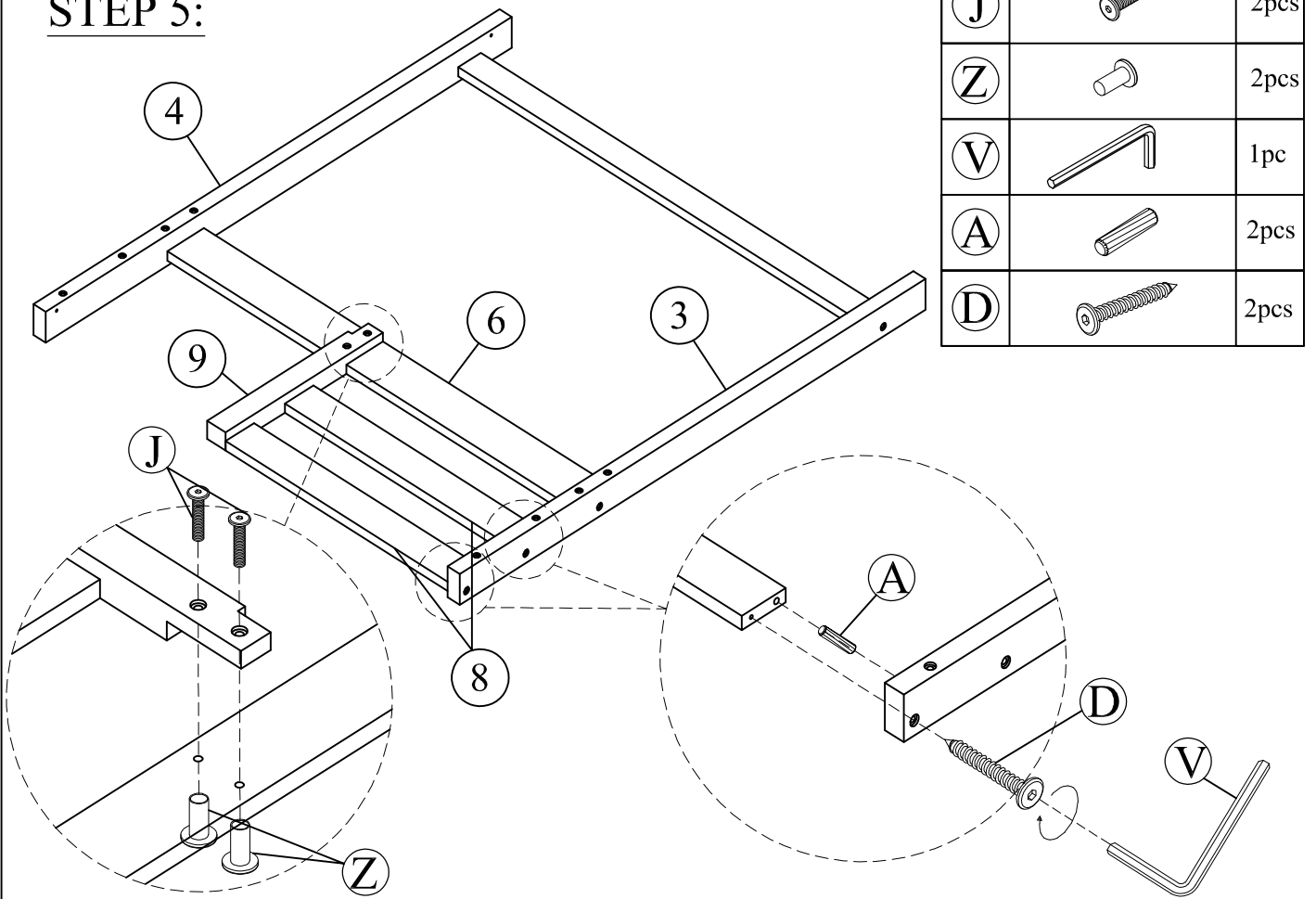
(A)		2pcs
(E)		2pcs
(V)		1pc

STEP 4:

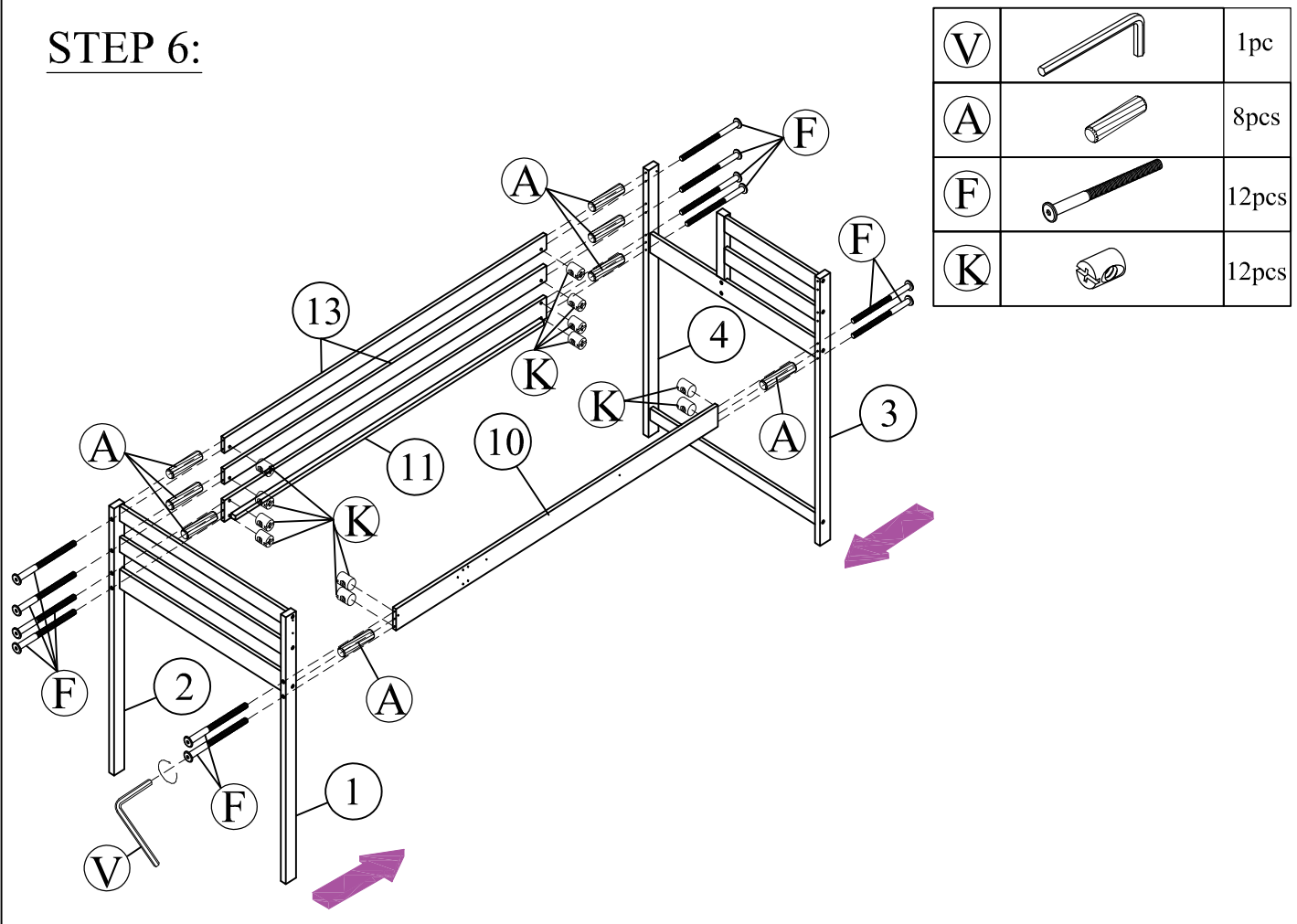


(V)		1pc
(A)		2pcs
(G)		2pcs
(K)		2pcs




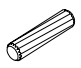
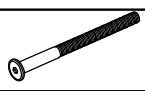

STEP 5:

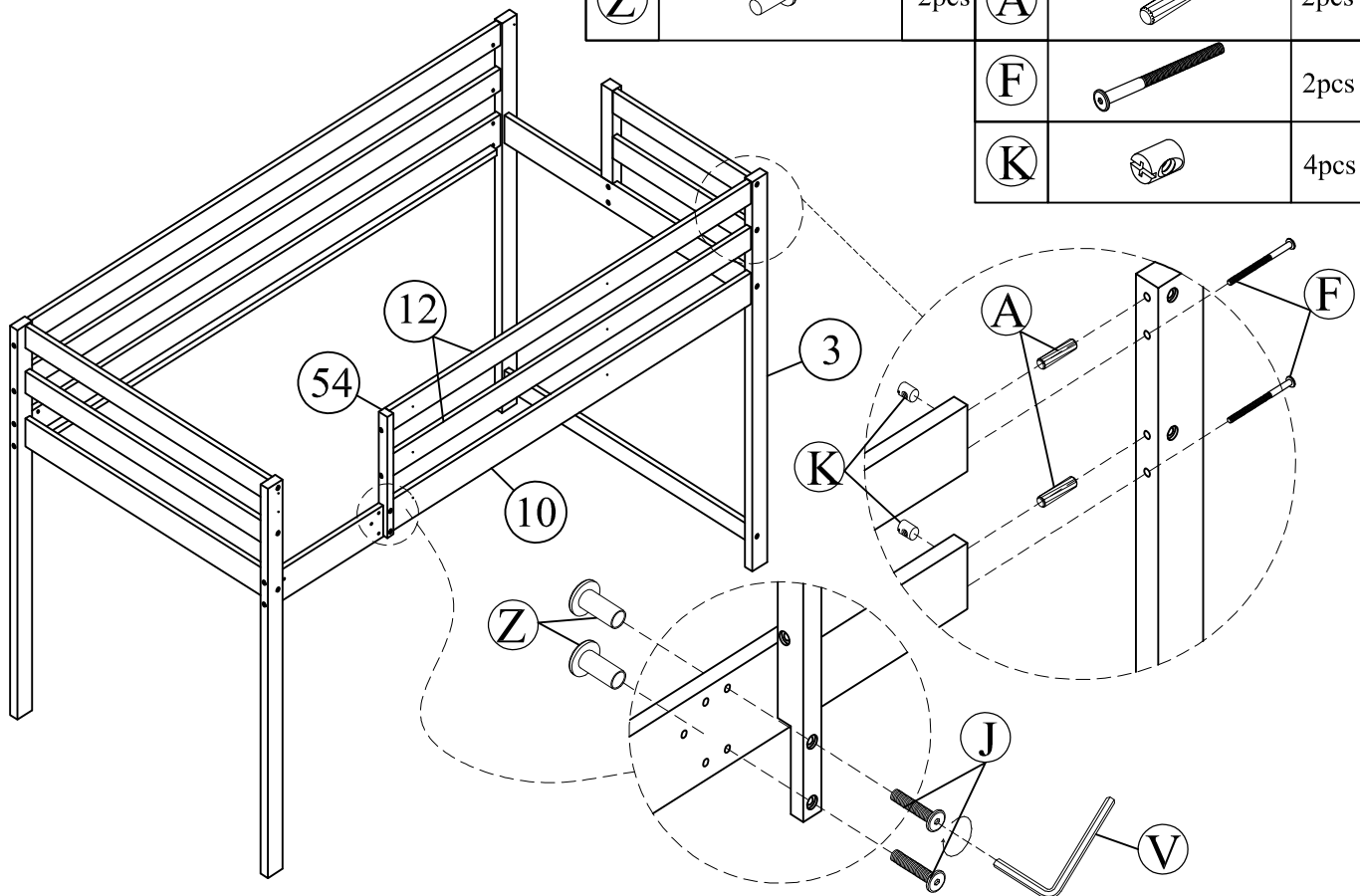


STEP 6:

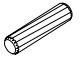
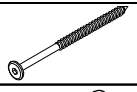



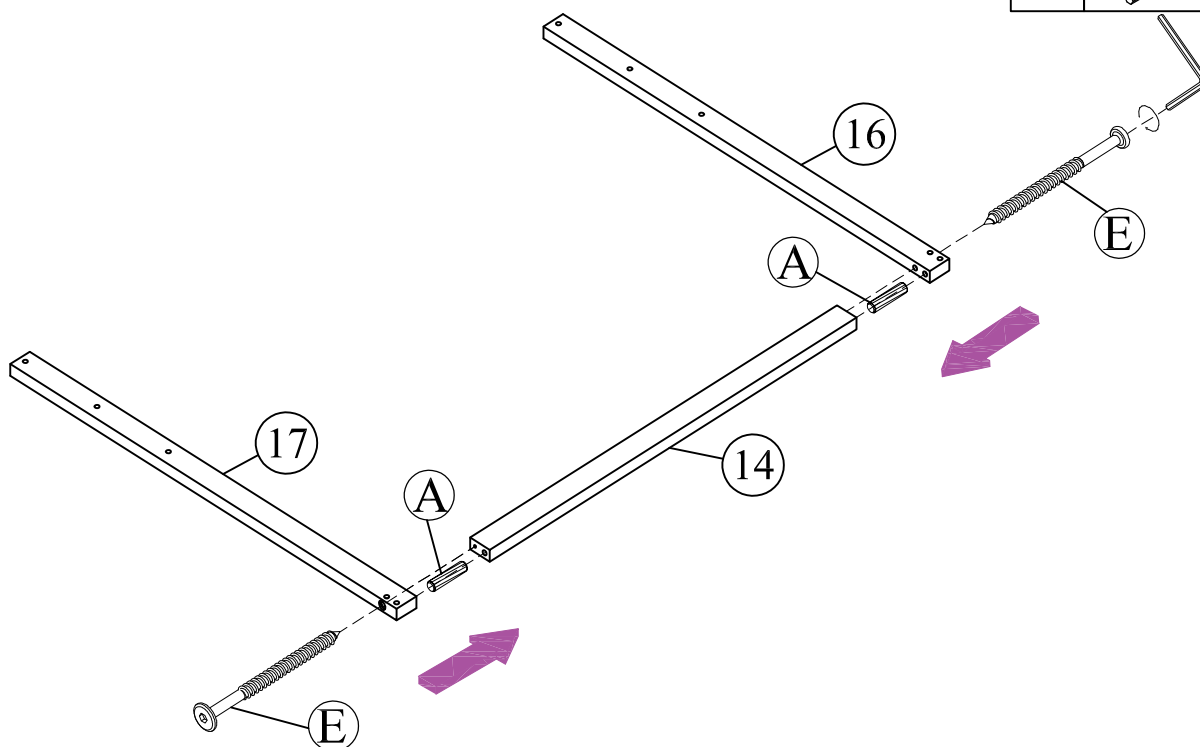
STEP 7:

(J)		2pcs	(V)		1pc
(Z)		2pcs	(A)		2pcs
			(F)		2pcs
			(K)		4pcs





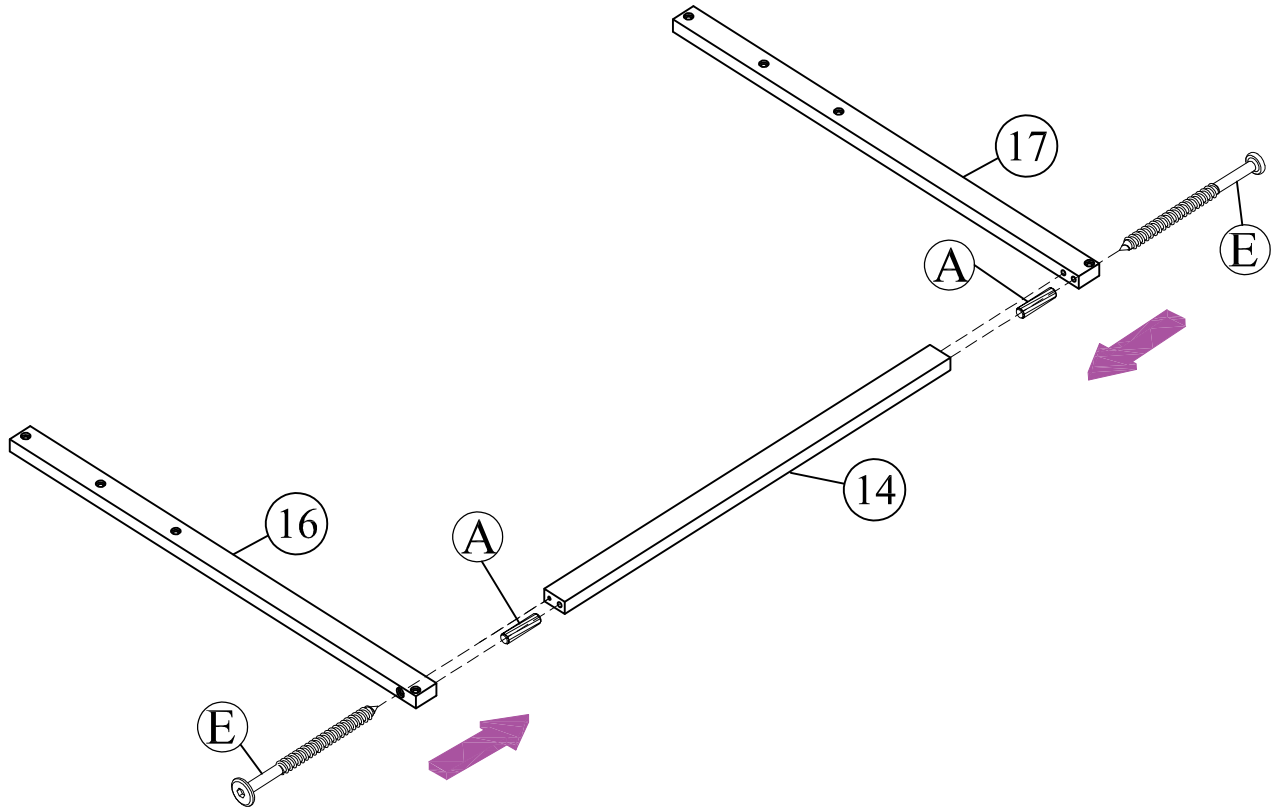
STEP 8:

(A)		2pcs
(E)		2pcs
(V)		1pc


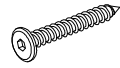



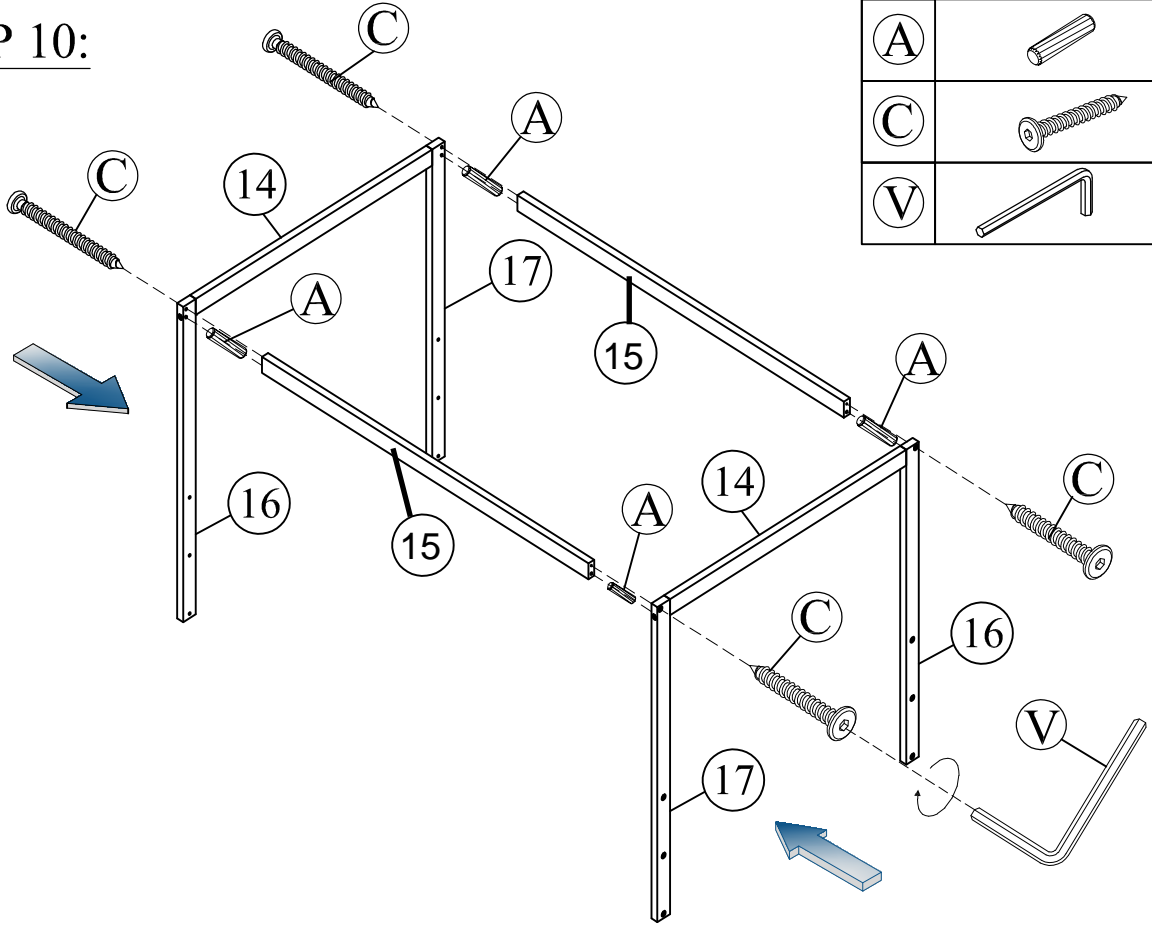
STEP 9:

(A)		2pcs
(E)		2pcs

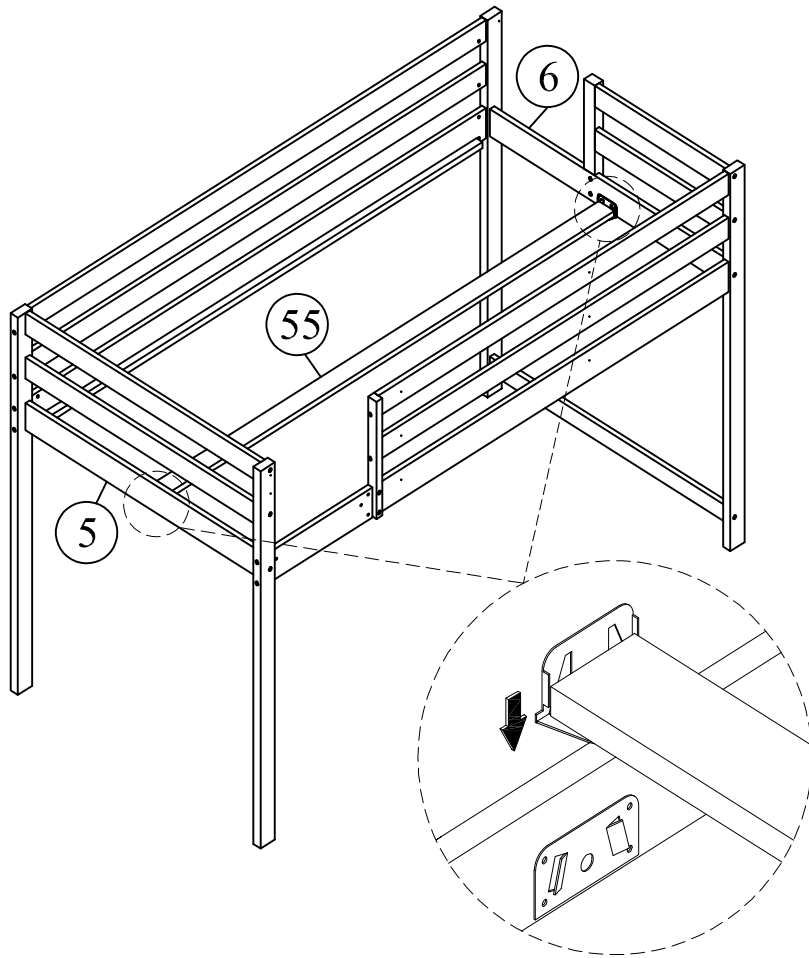


STEP 10:

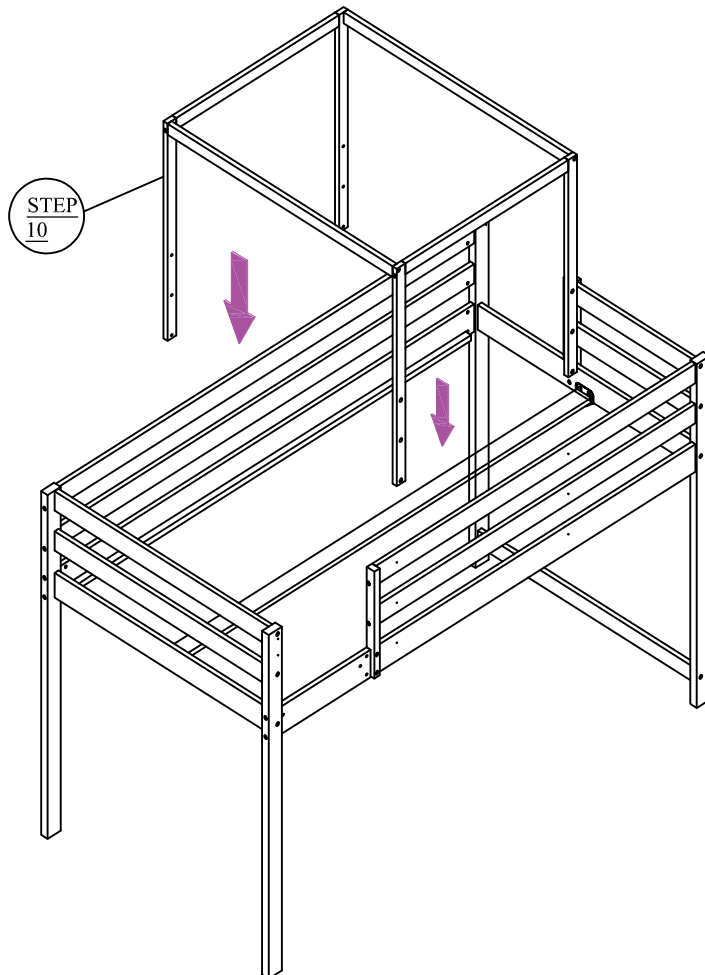
(A)		4pcs
(C)		4pcs
(V)		1pc



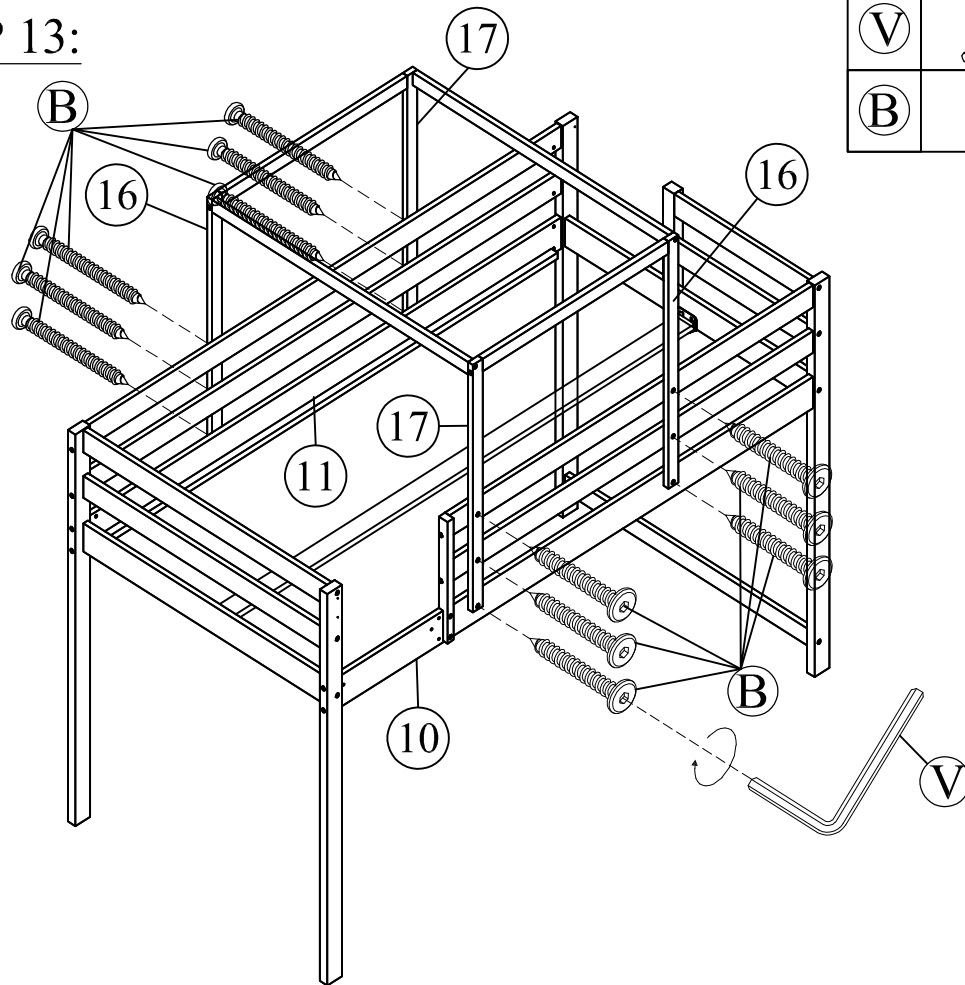
STEP 11:



STEP 12:

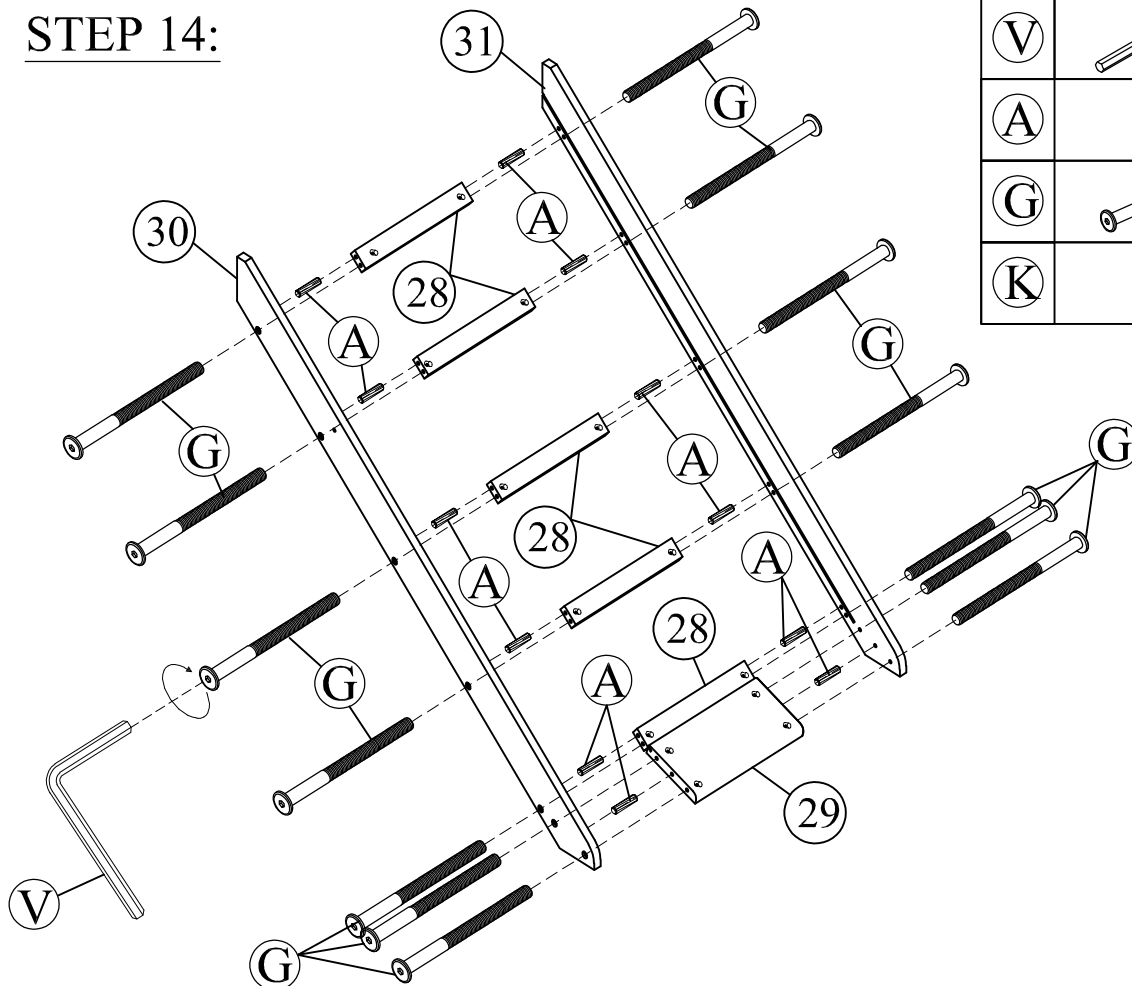


STEP 13:



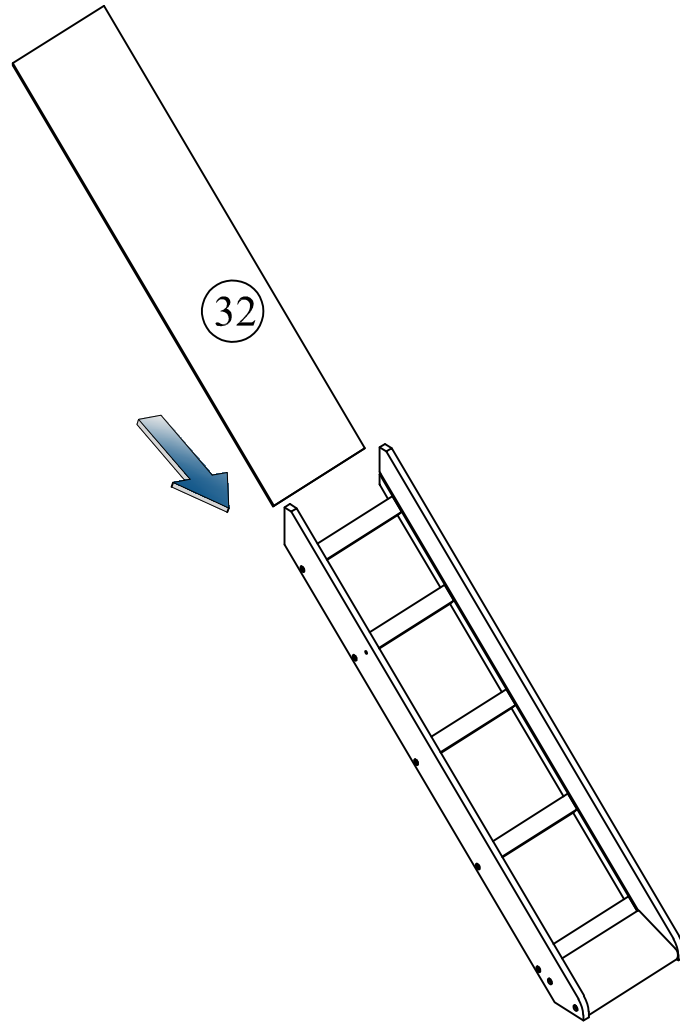
(V)		1pc
(B)		12pcs

STEP 14:

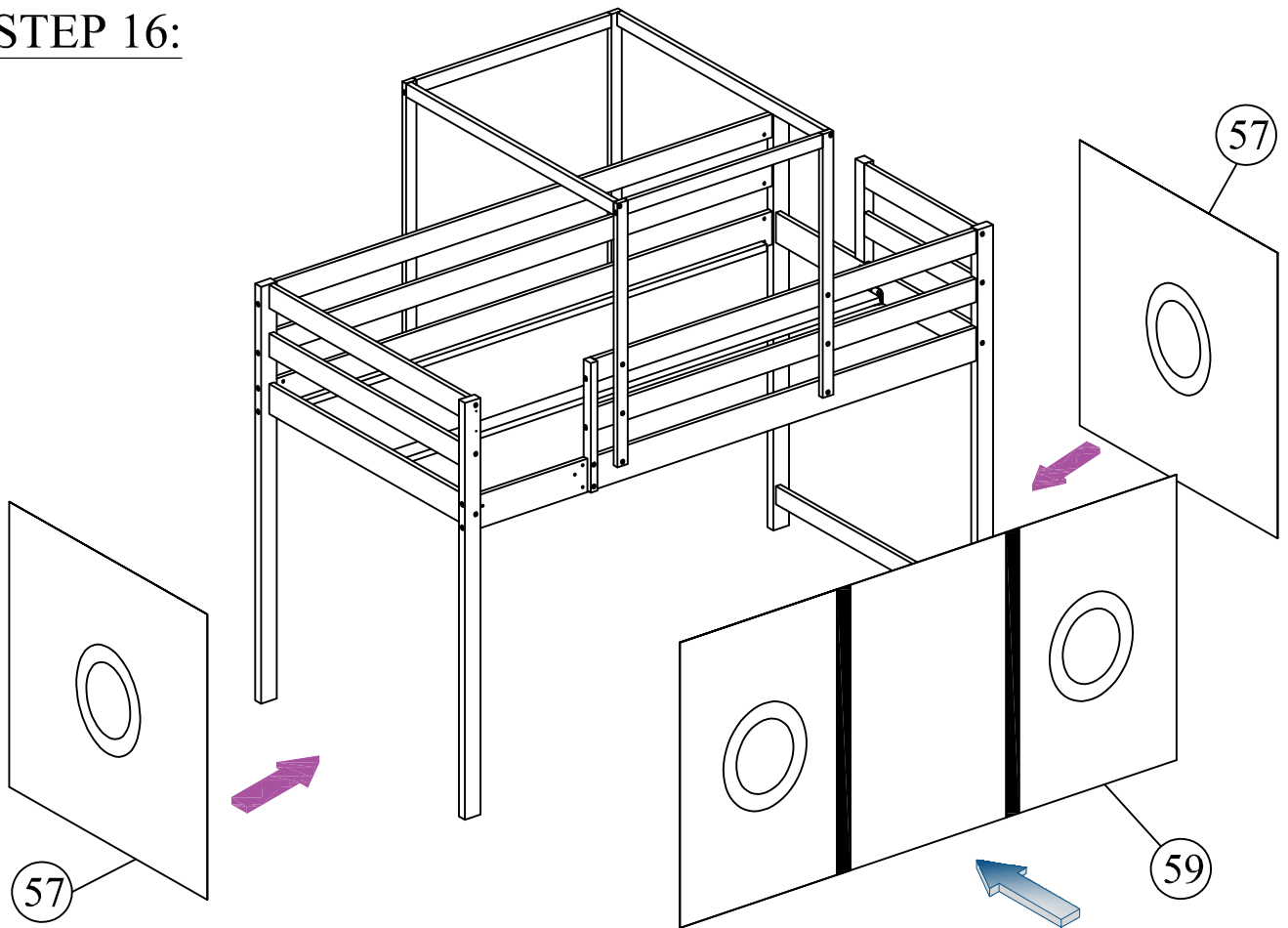


(V)		1pc
(A)		12pcs
(G)		14pcs
(K)		14pcs

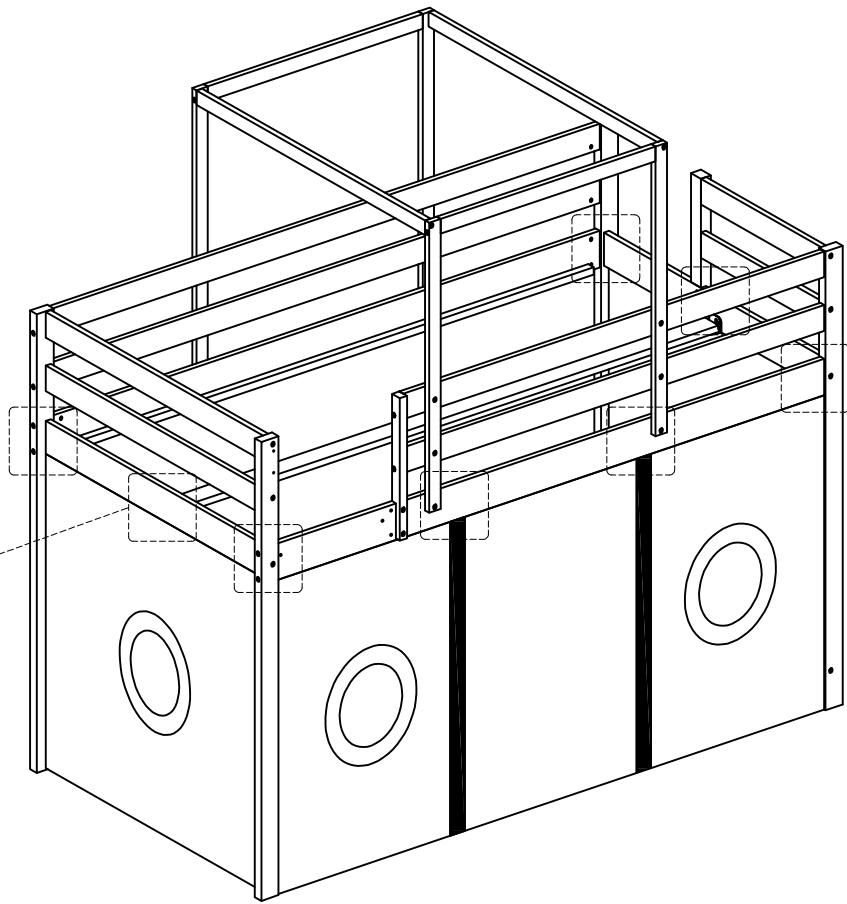
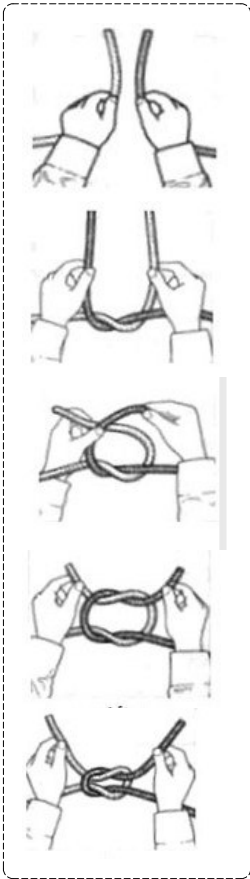
STEP 15:





STEP 16:

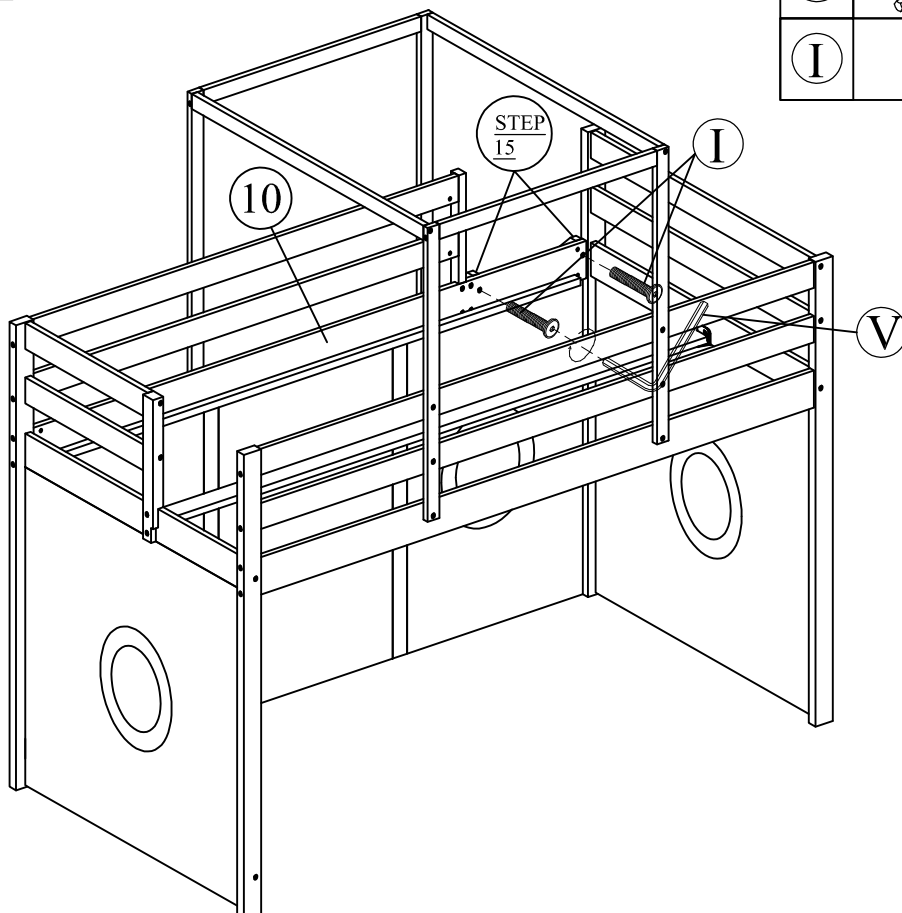


STEP 17:


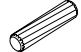
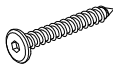


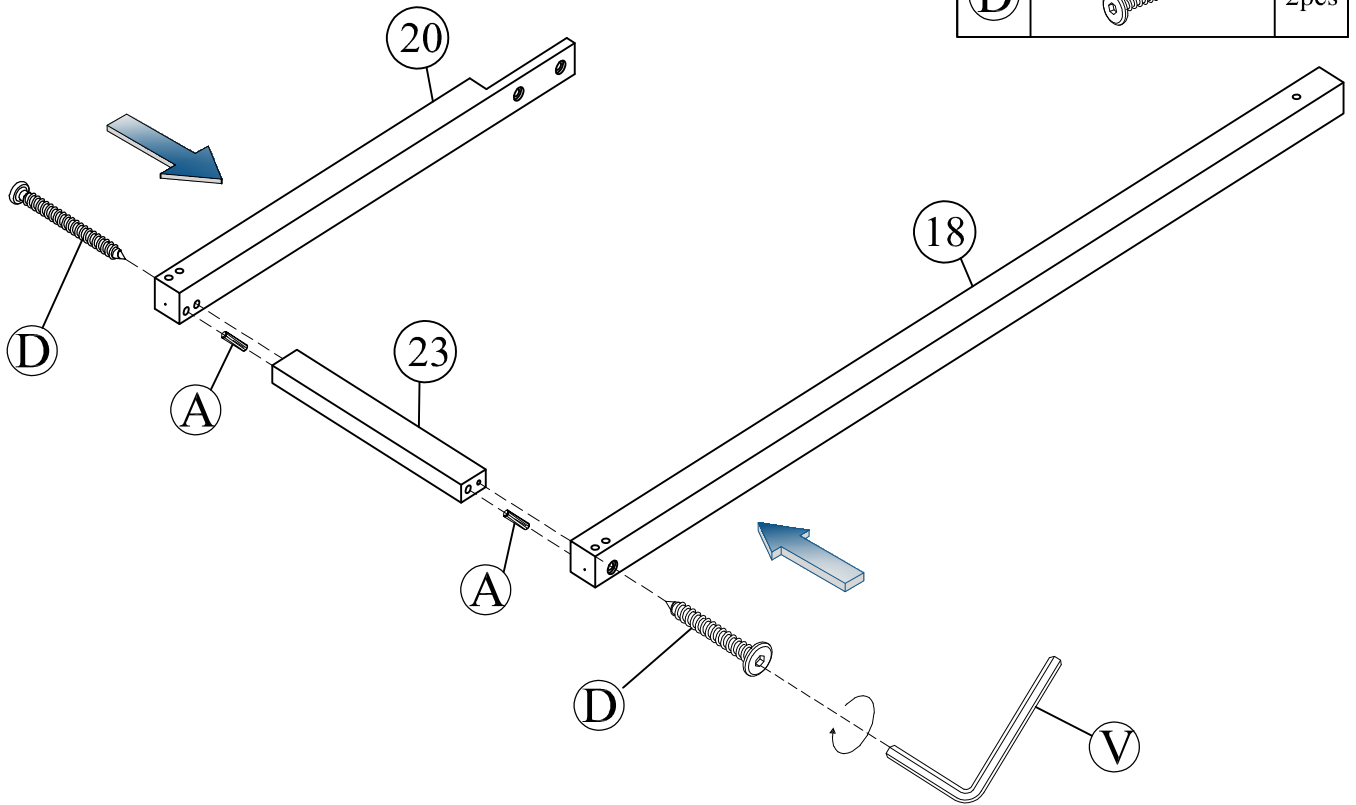
STEP 18:

V		1pc
I		2pcs


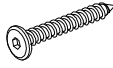


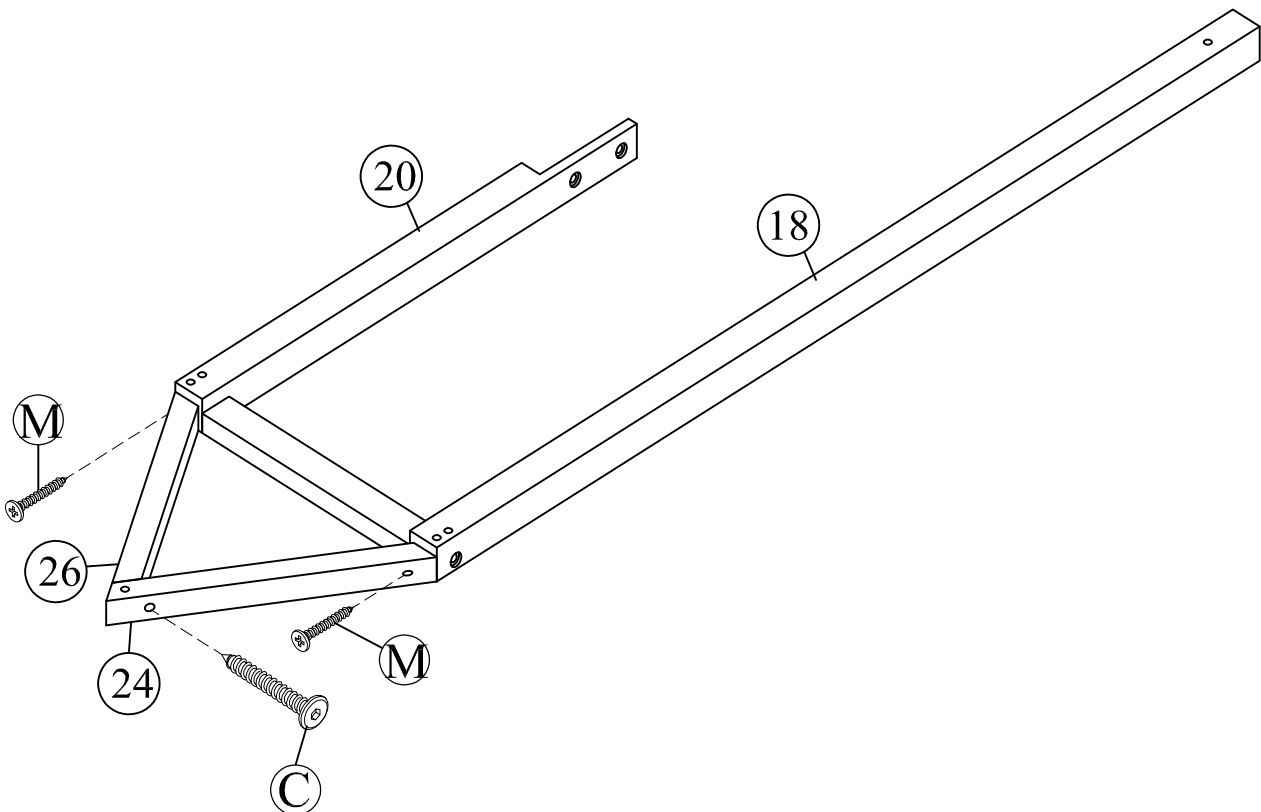
STEP 19:

(V)		1pc
(A)		2pcs
(D)		2pcs


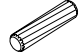
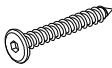


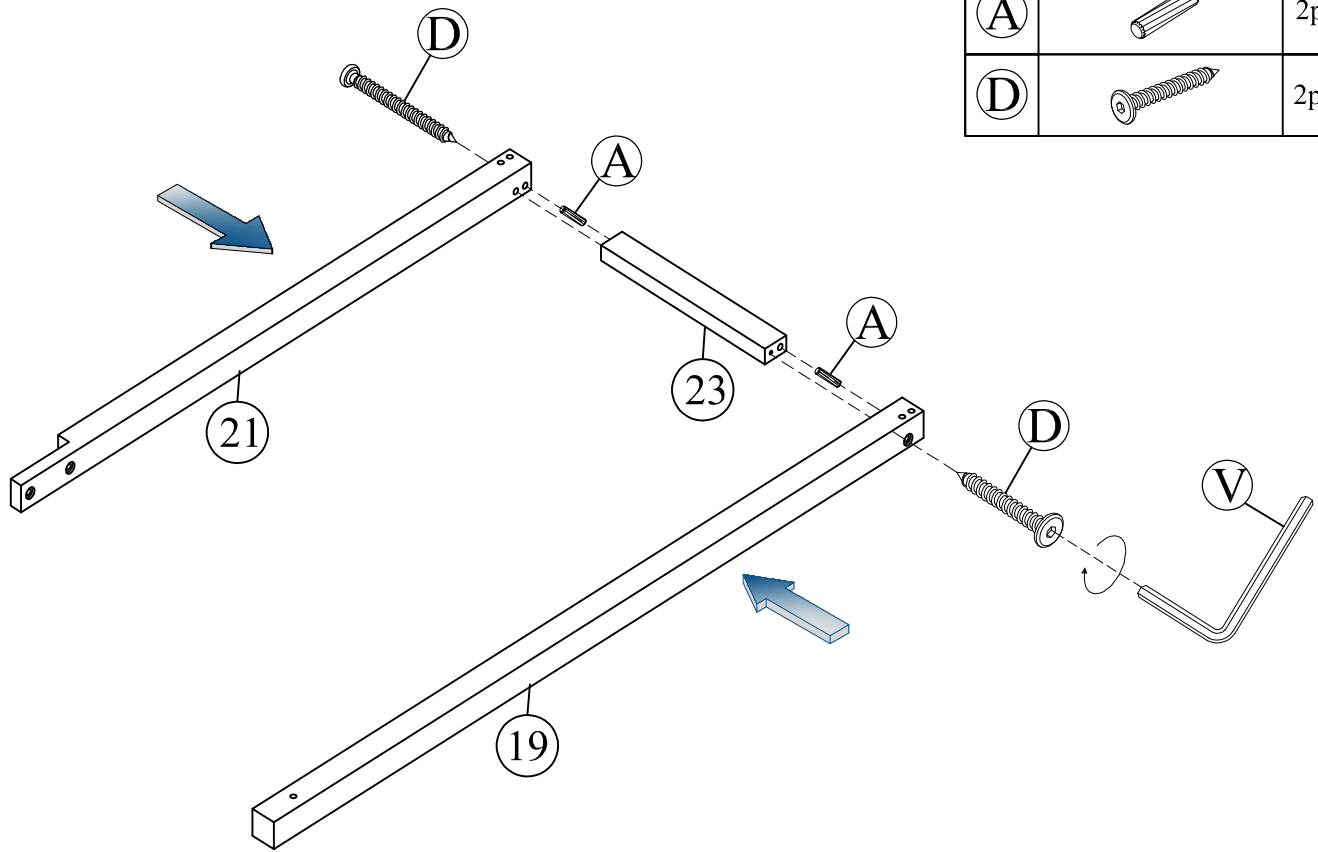
STEP 20:

(M)		2pcs
(C)		1pc


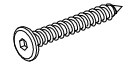


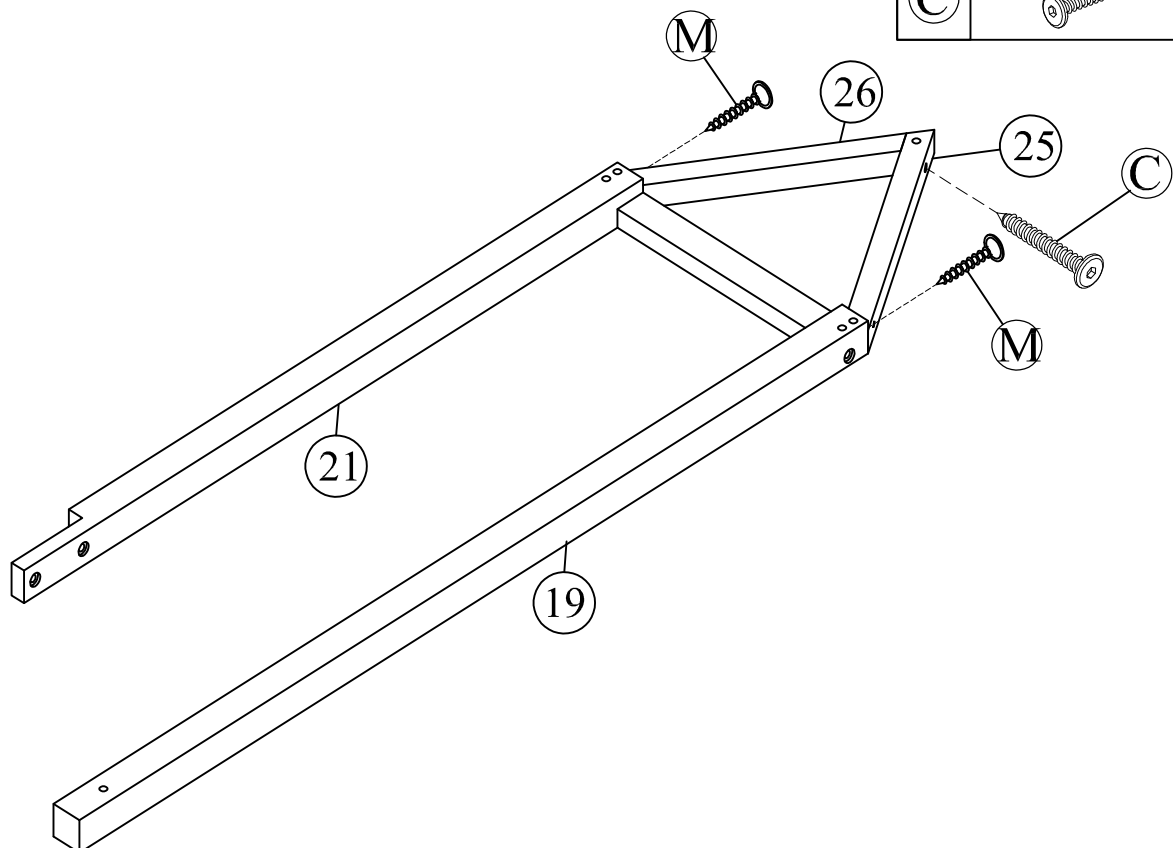
STEP 21:

(V)		1pc
(A)		2pcs
(D)		2pcs

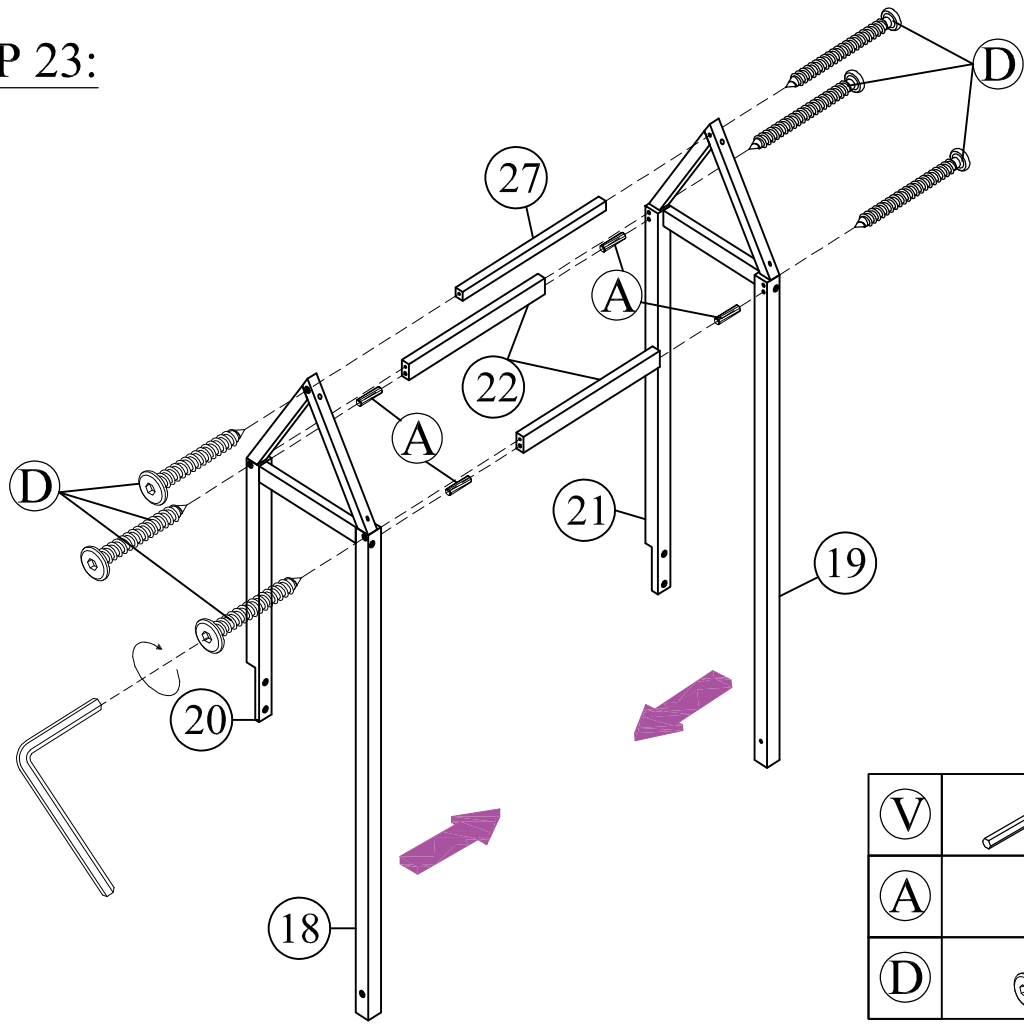


STEP 22:

(M)		2pcs
(C)		1pc

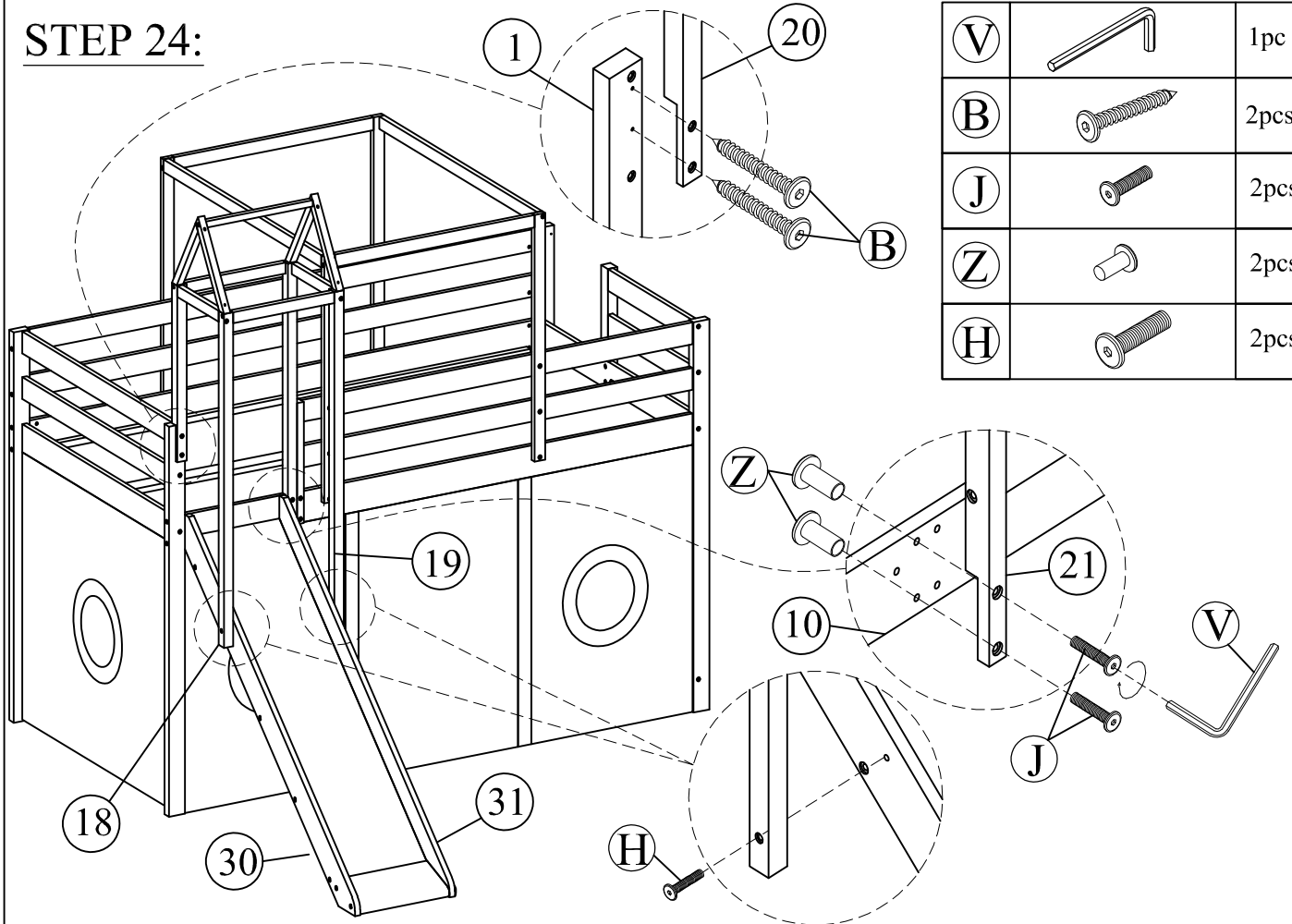


STEP 23:




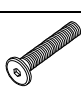

V		1pc
A		4pcs
D		6pcs

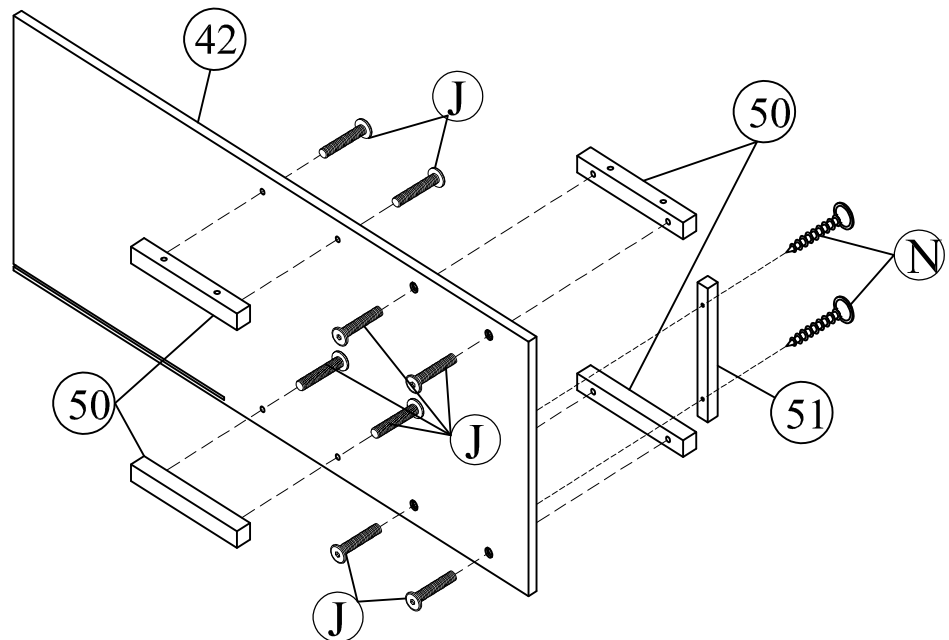
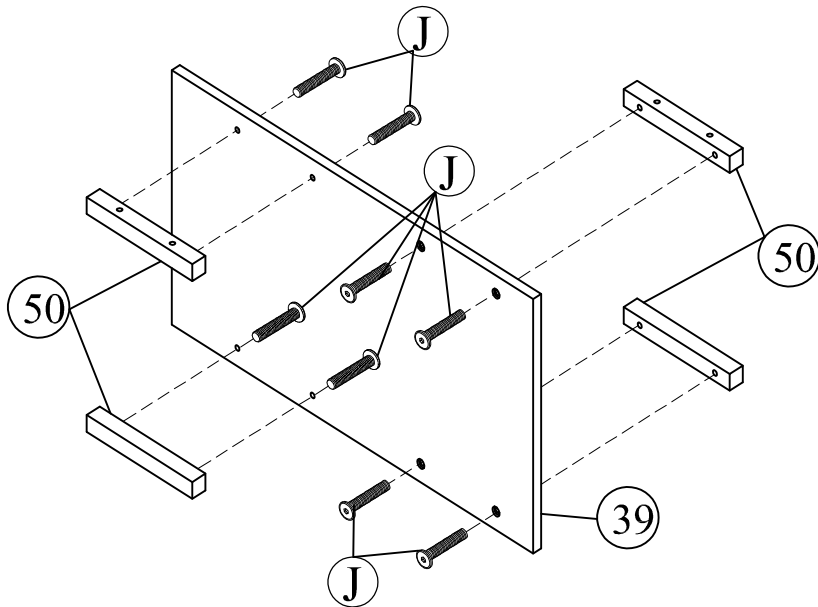
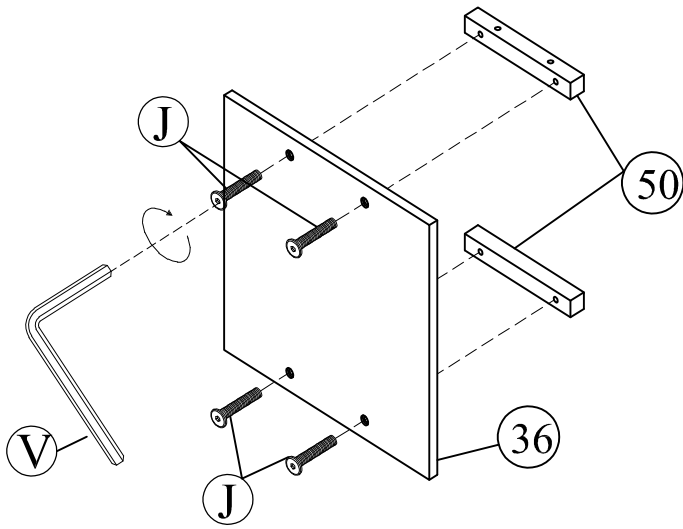
STEP 24:



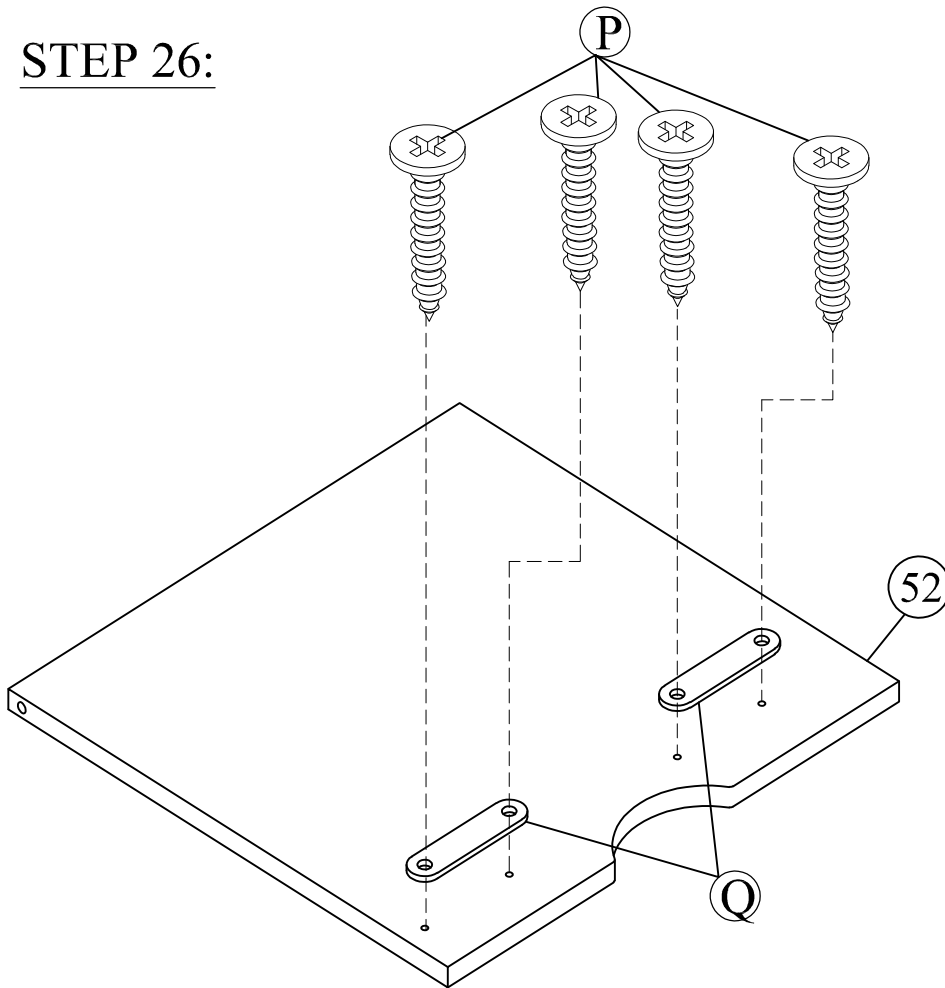
V		1pc
B		2pcs
J		2pcs
Z		2pcs
H		2pcs



STEP 25:

V		1pc
J		20pcs
N		2pcs



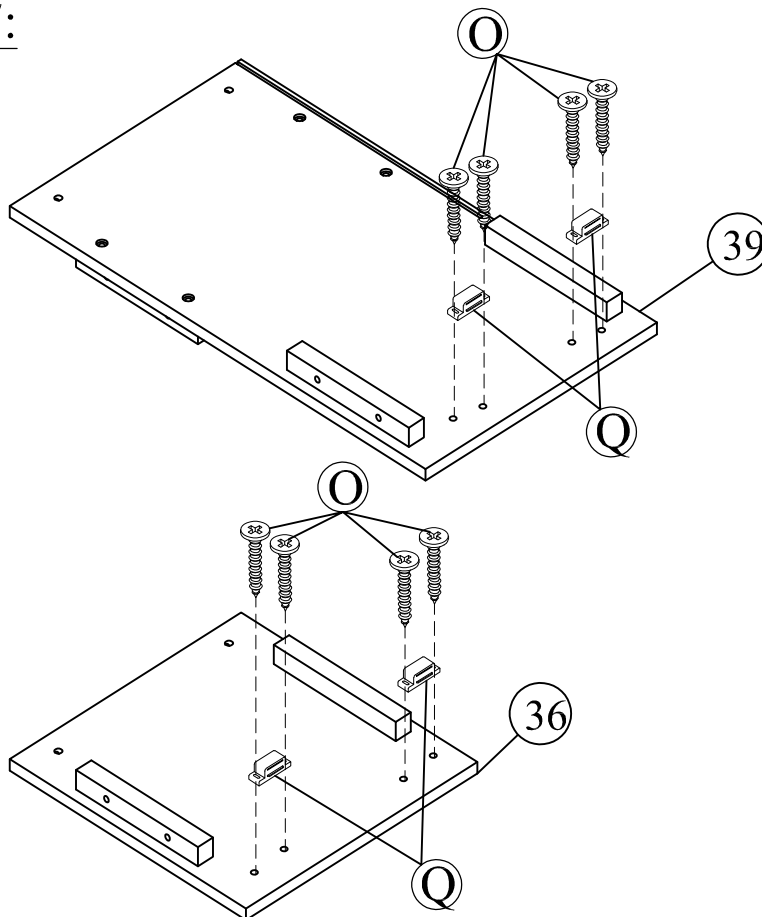
STEP 26:





P		08
Q		02

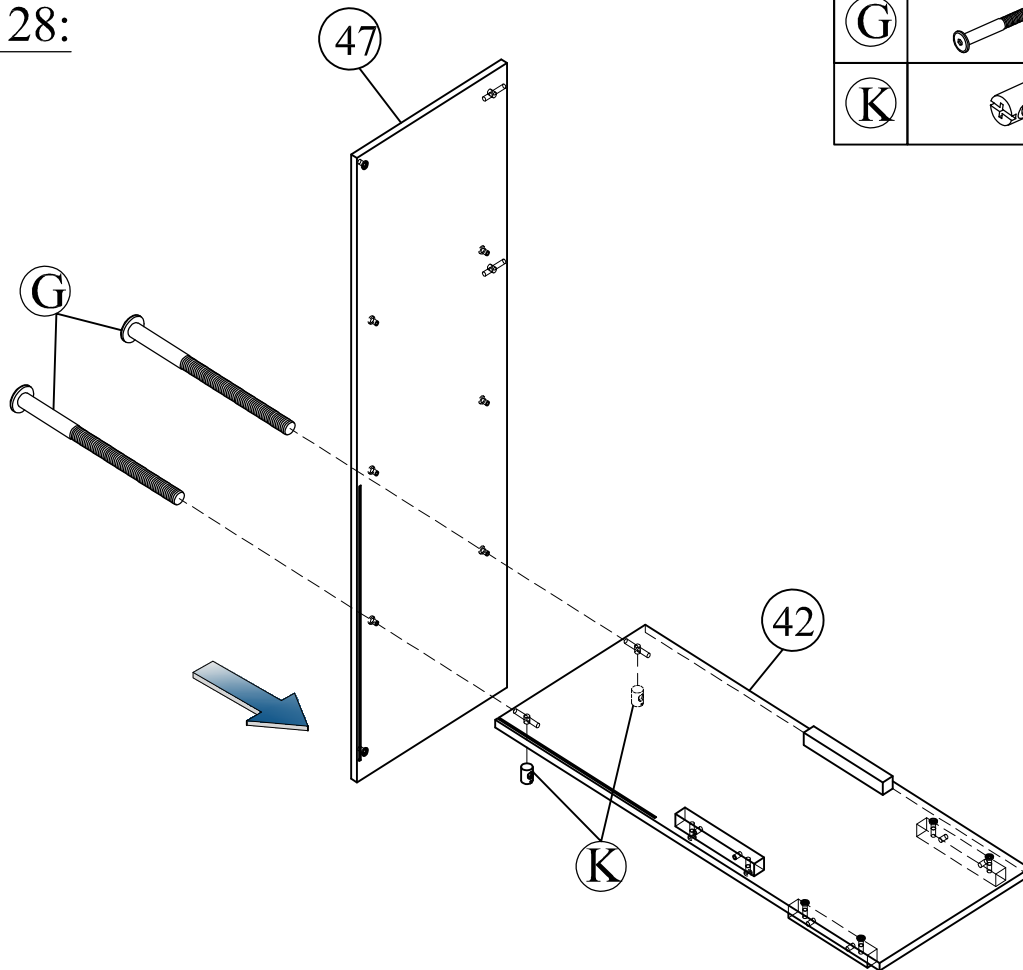
X2



STEP 27:



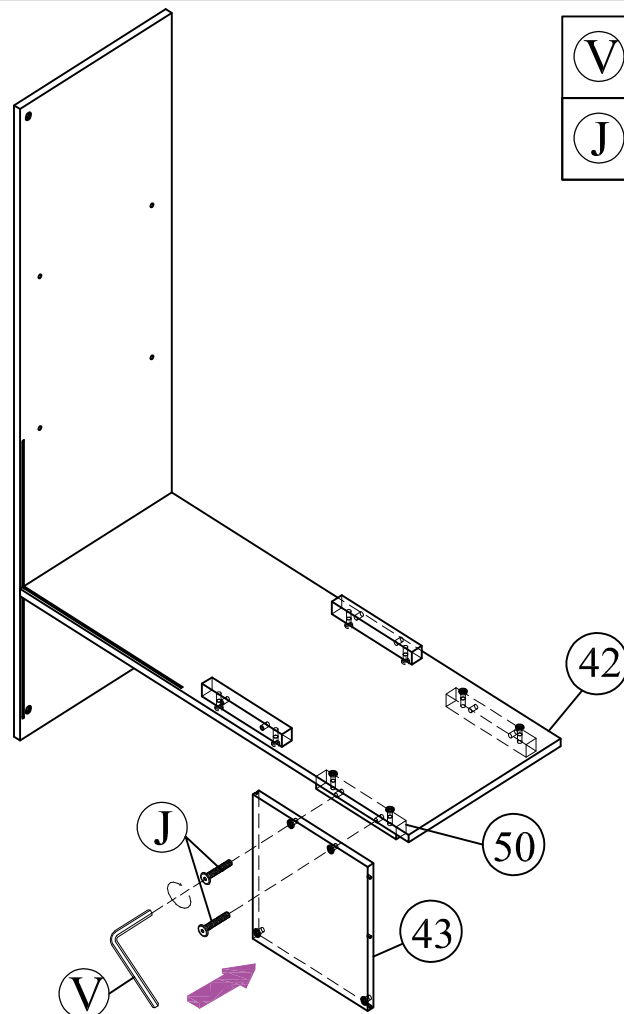
O		08
Q		04



STEP 28:



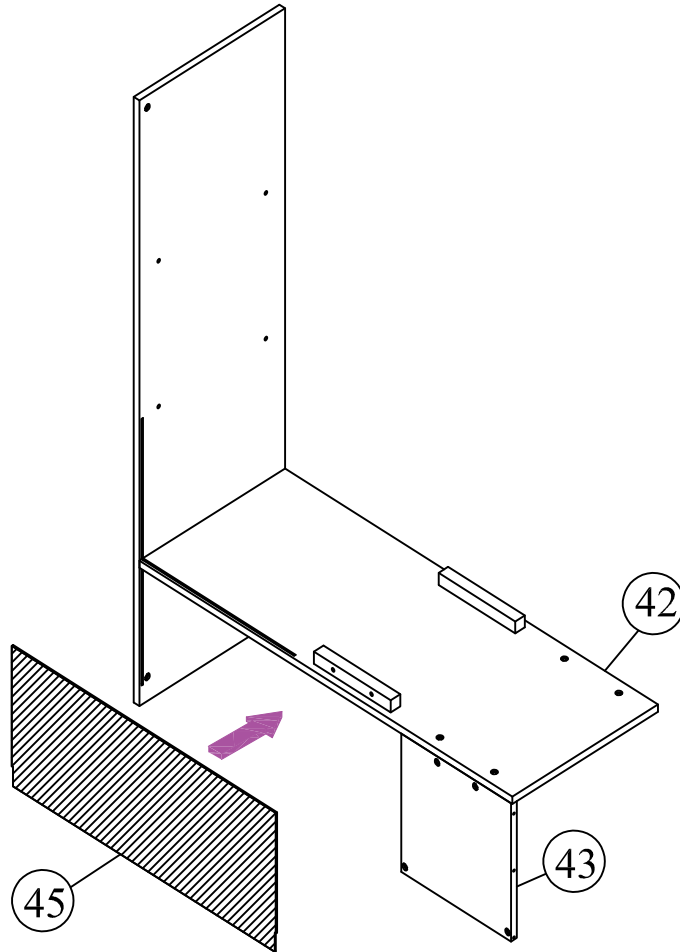
(G)		2pcs
(K)		2pcs

STEP 29:





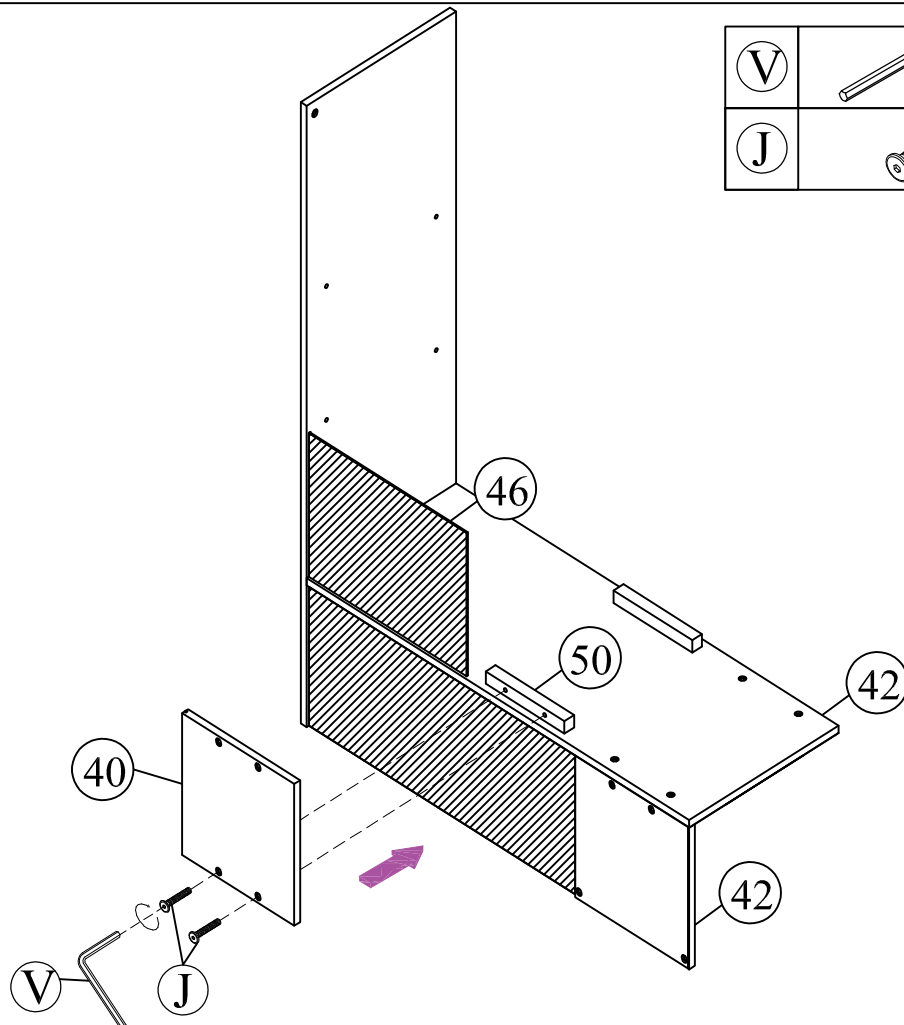
(V)		1pc
(J)		2pcs

STEP 30:

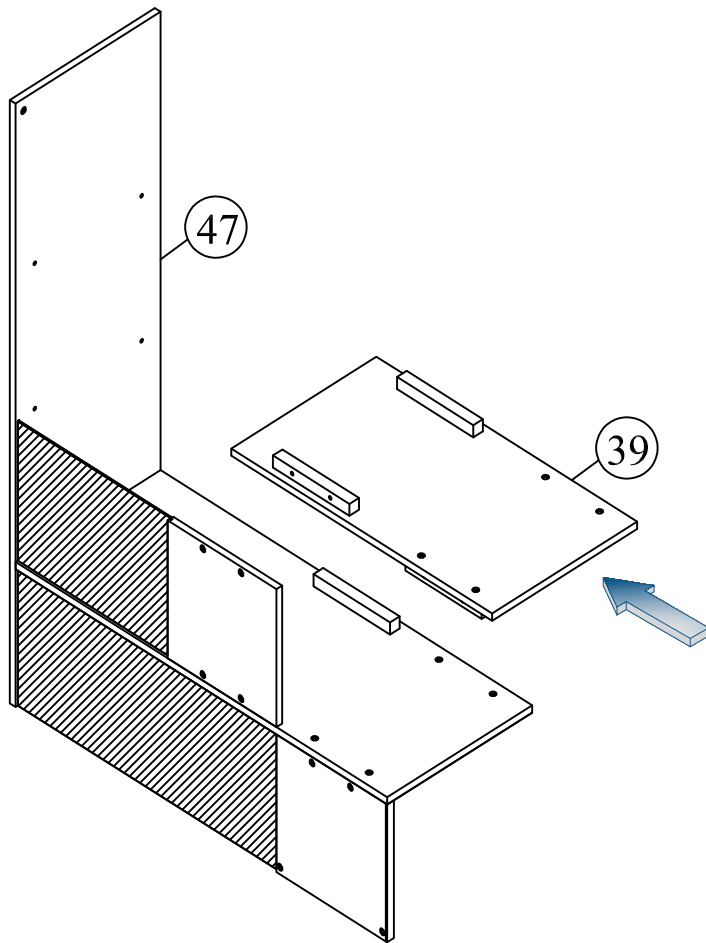


STEP 31:

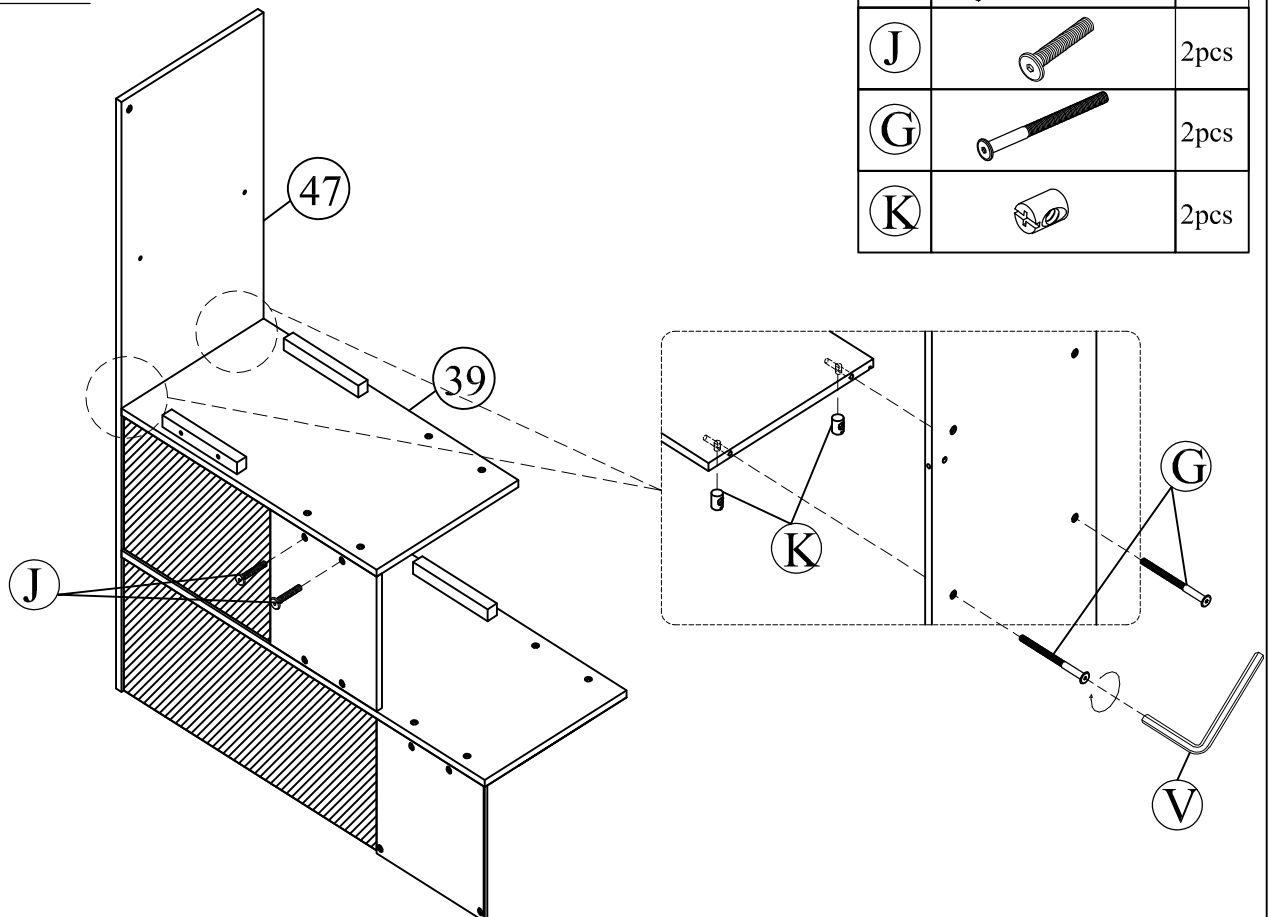
V		1pc
J		2pcs



STEP 32:




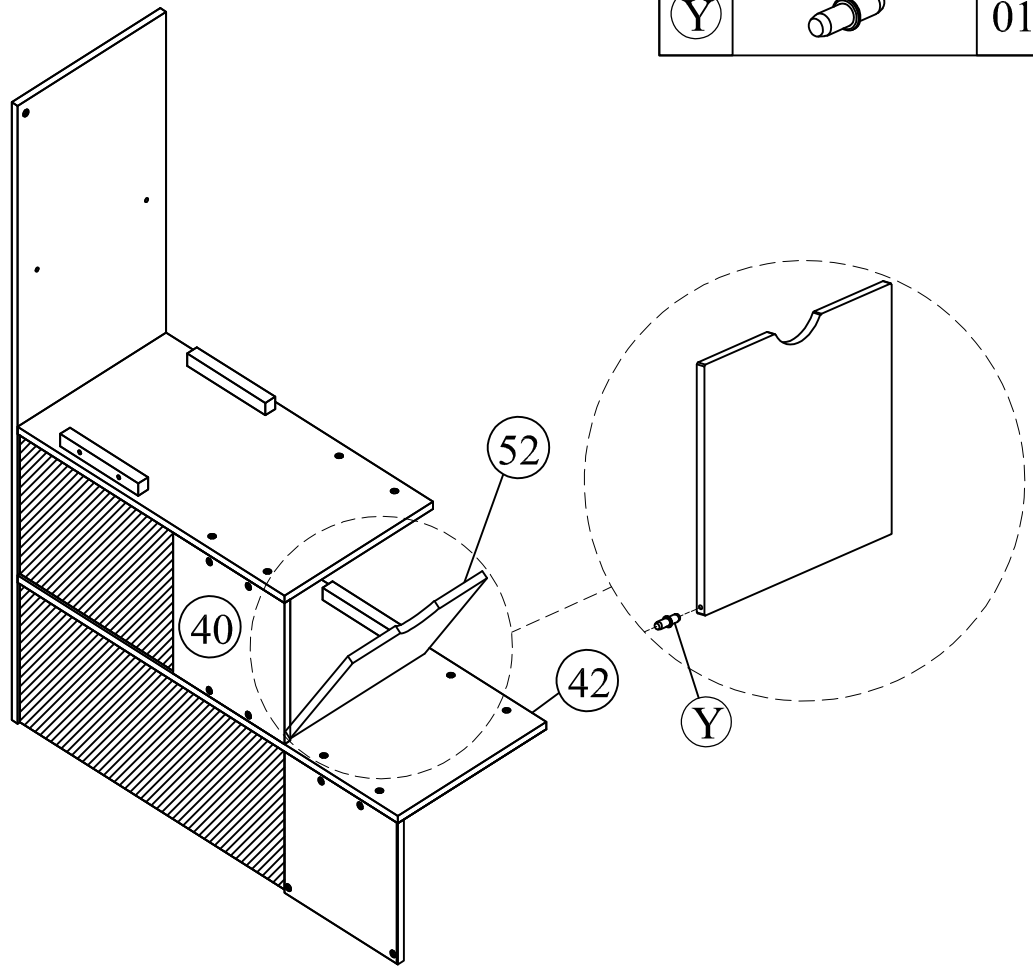
STEP 33:



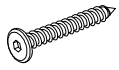
(V)		1pc
(J)		2pcs
(G)		2pcs
(K)		2pcs

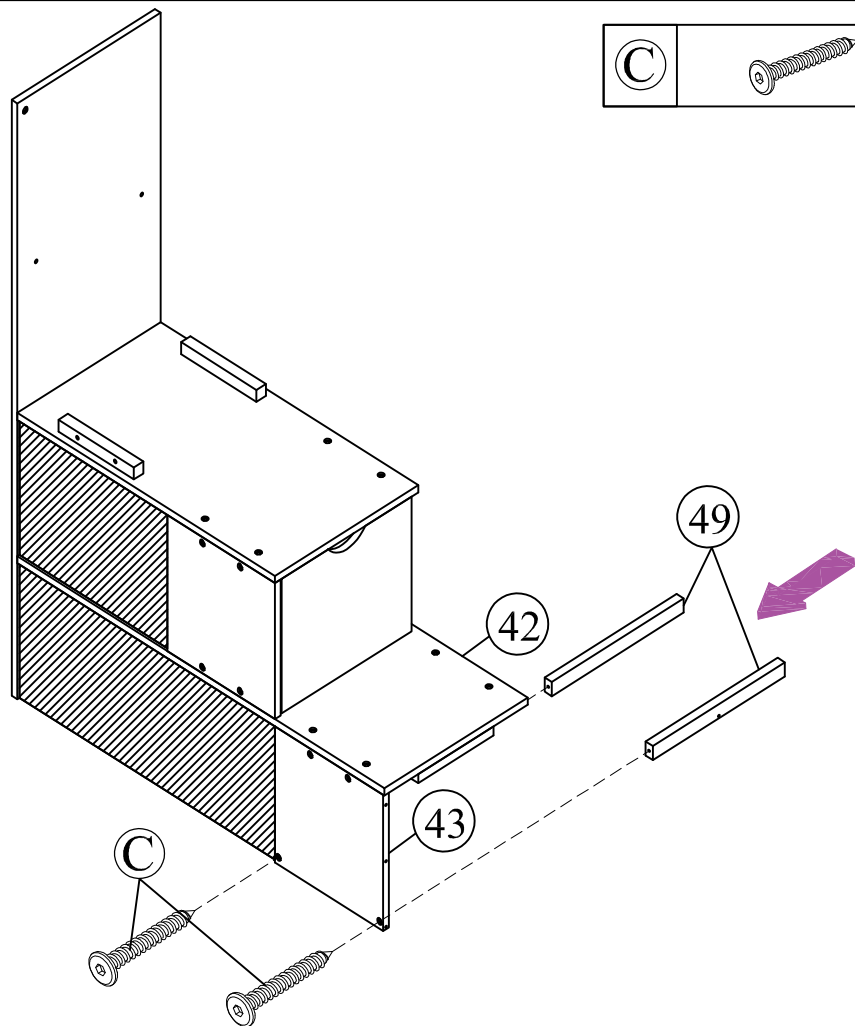
STEP 34:

Y		01
---	---	----

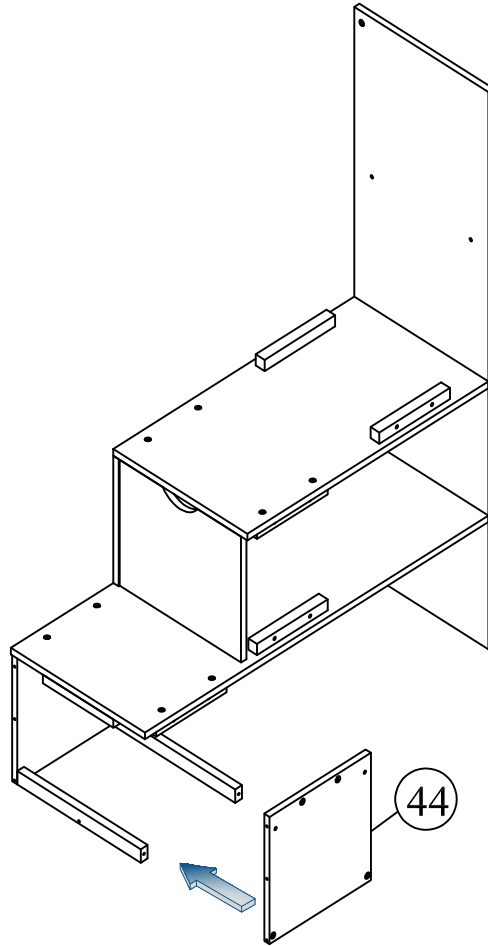


STEP 35:

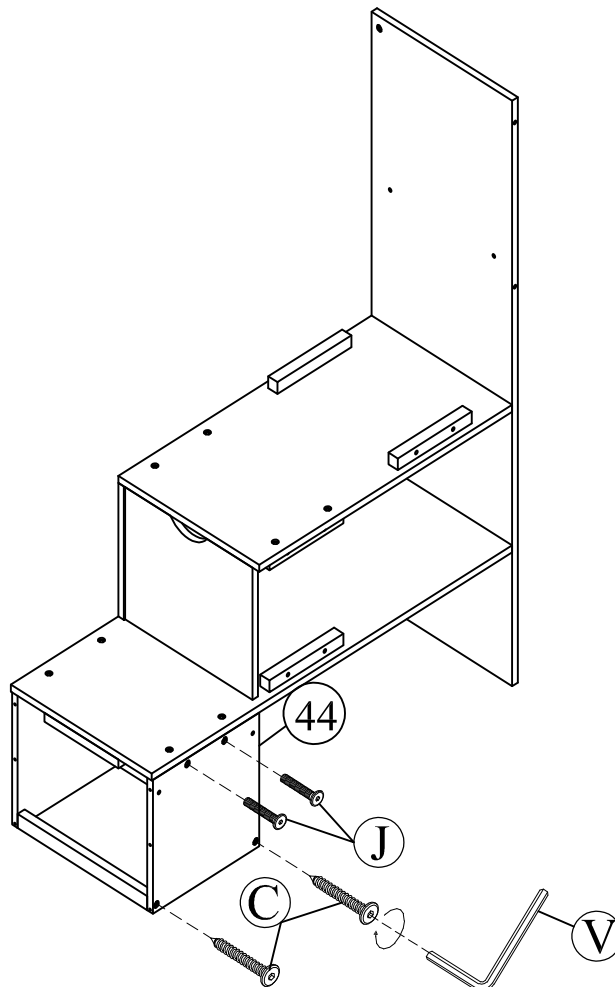
C		2pcs
---	---	------

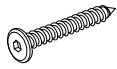




STEP 36:

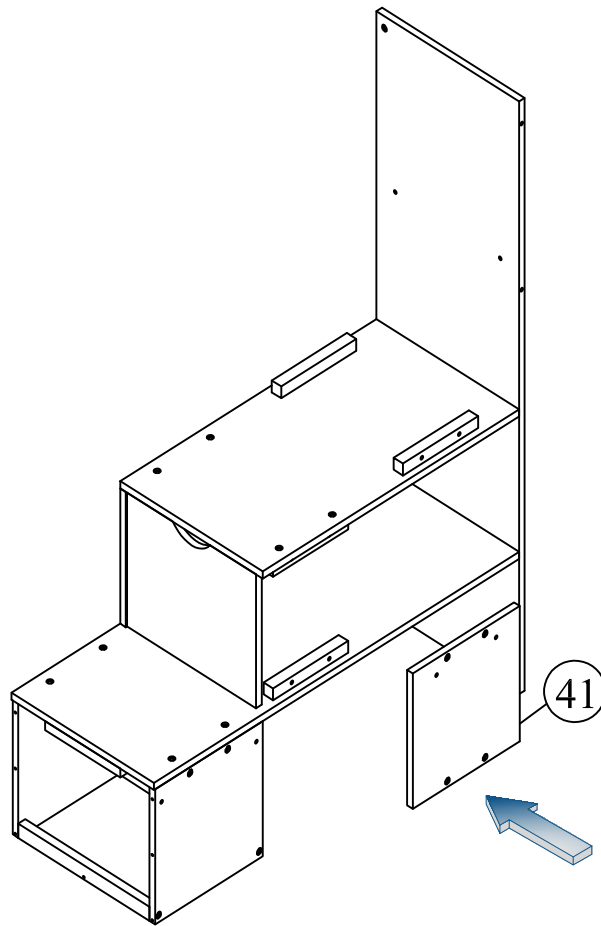


STEP 37:

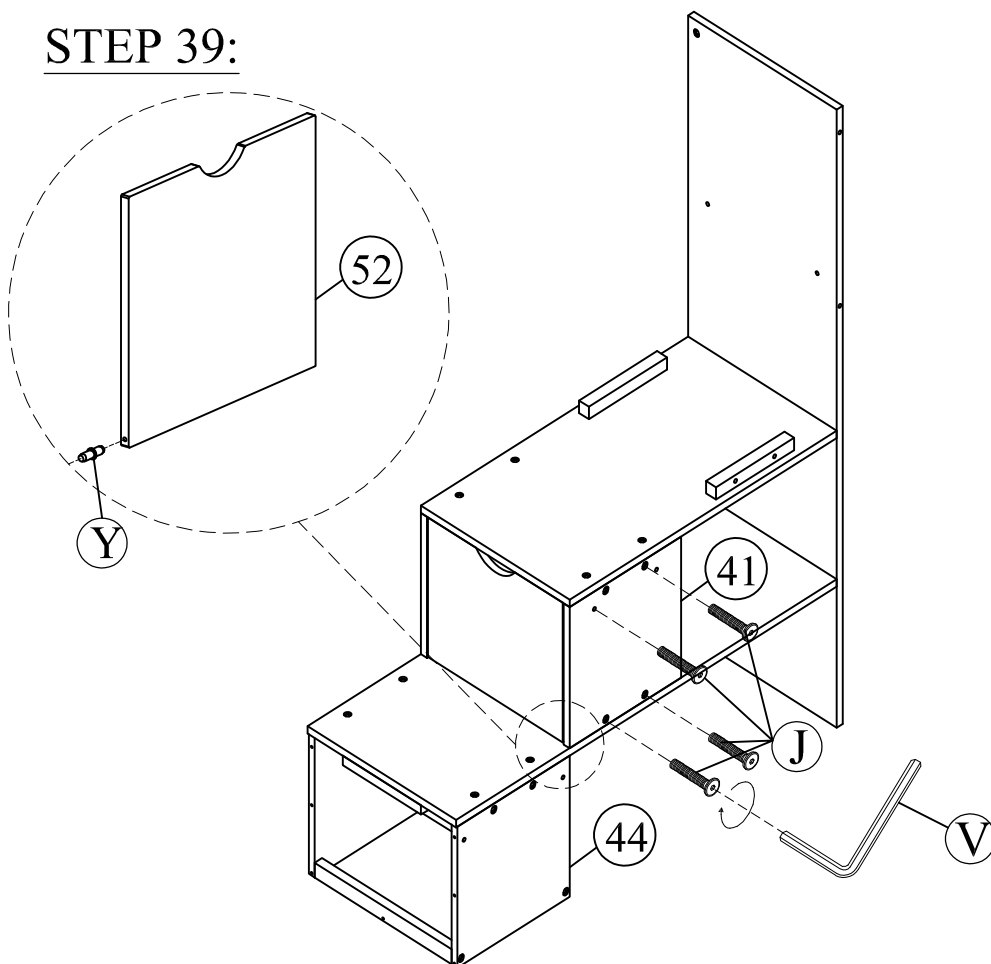





C		2pcs
V		1pc
J		2pcs

STEP 38:

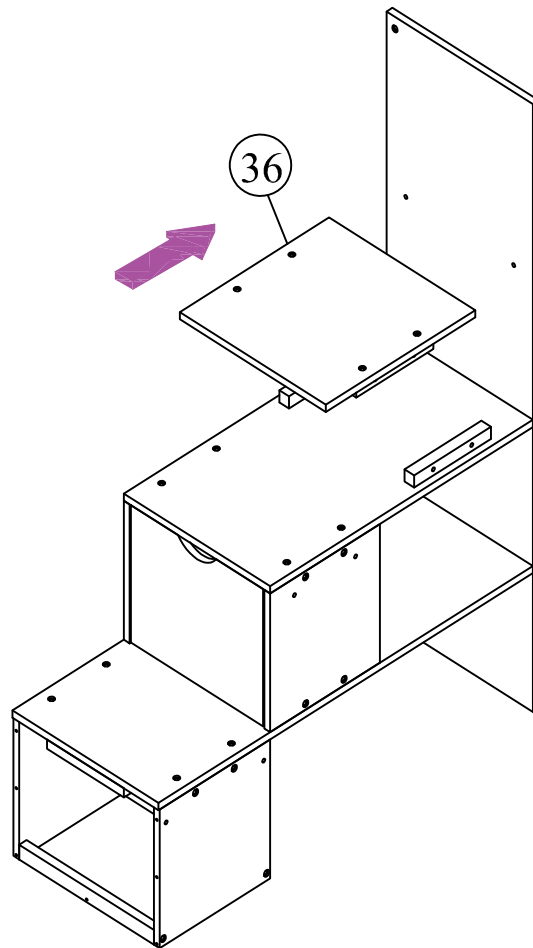


STEP 39:

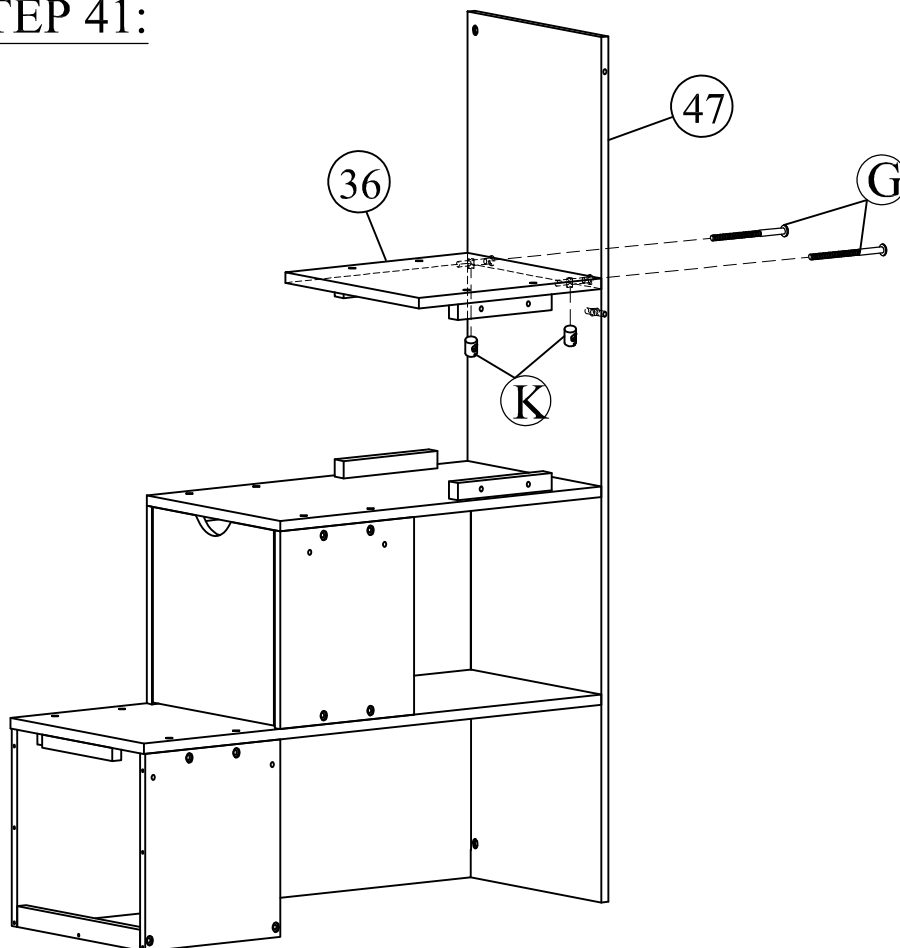




V		1pc
J		4pcs
Y		01

STEP 40:

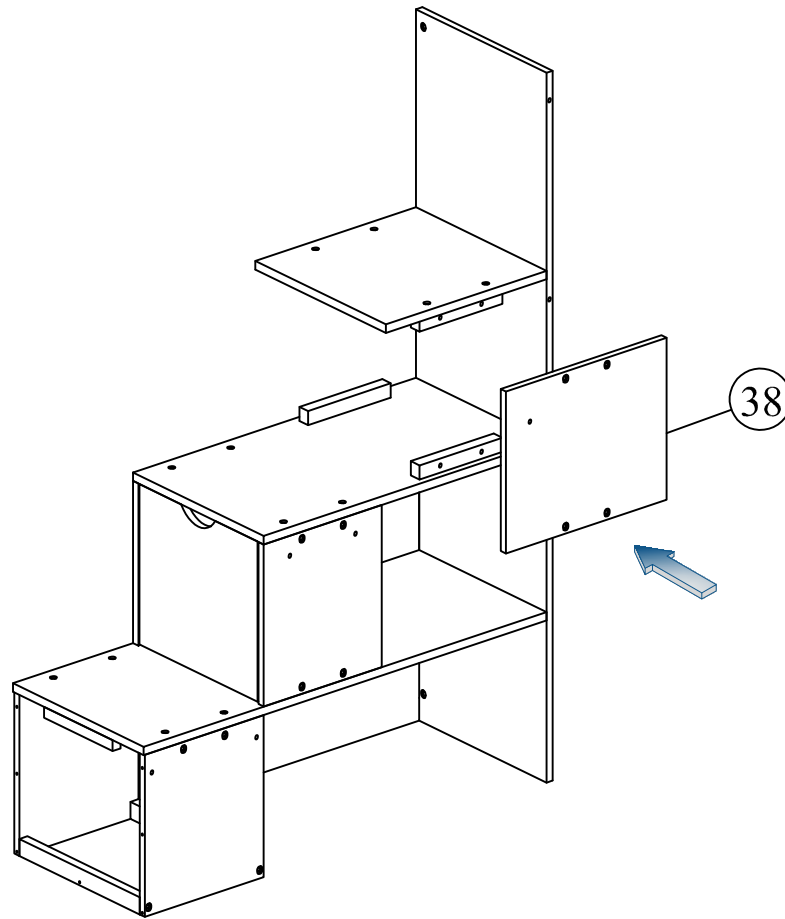


STEP 41:

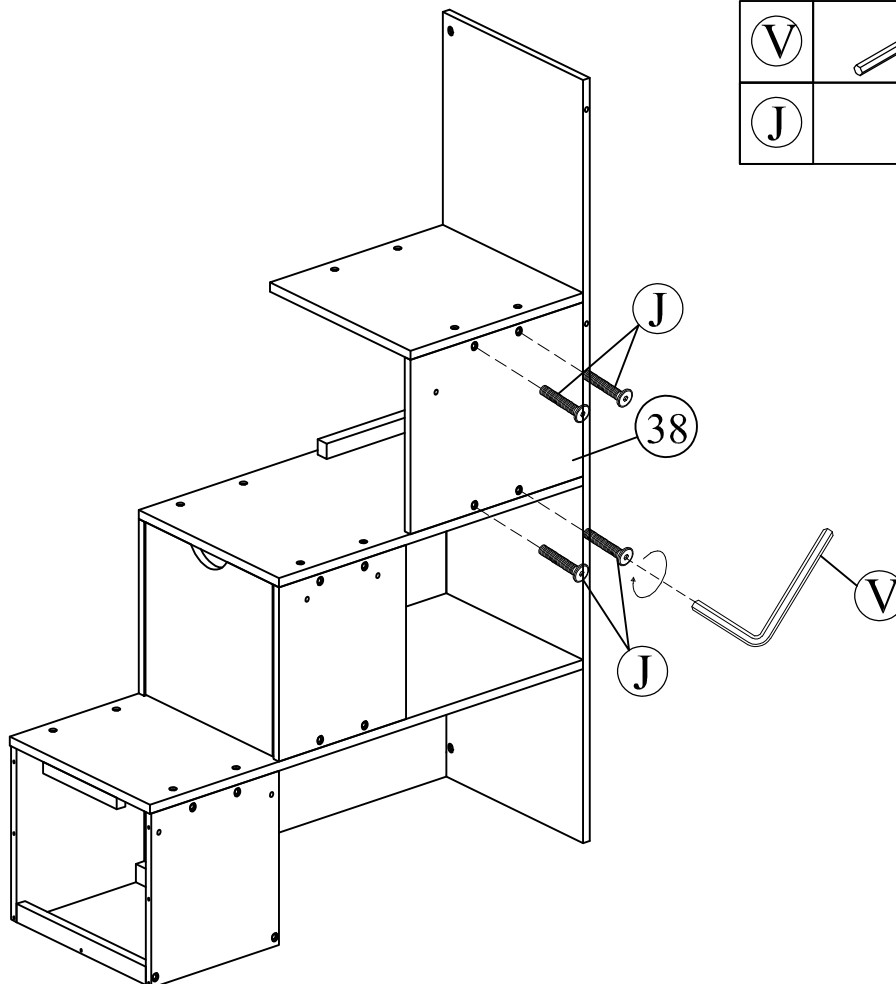




G		2pcs
K		2pcs

STEP 42:




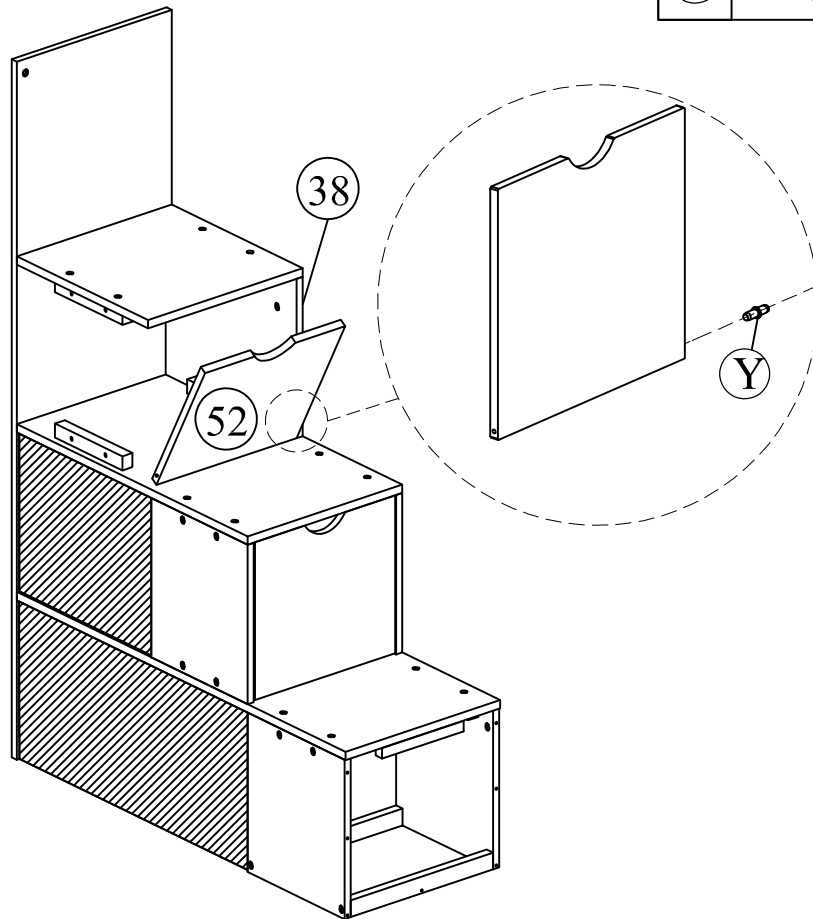
STEP 43:



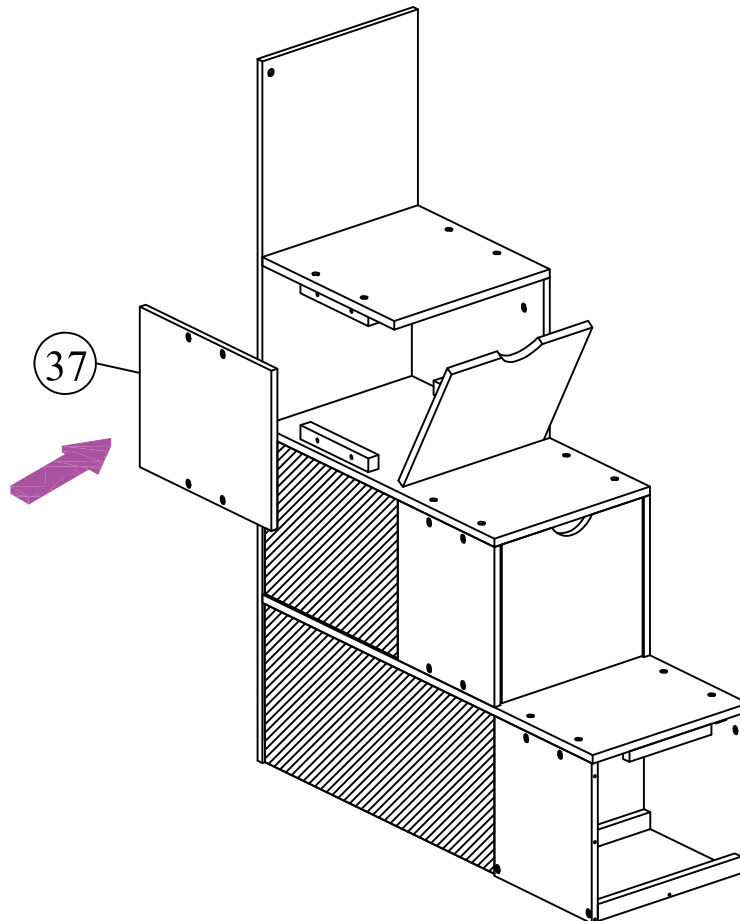
Ⓥ		1pc
ⓐ		4pcs

STEP 44:

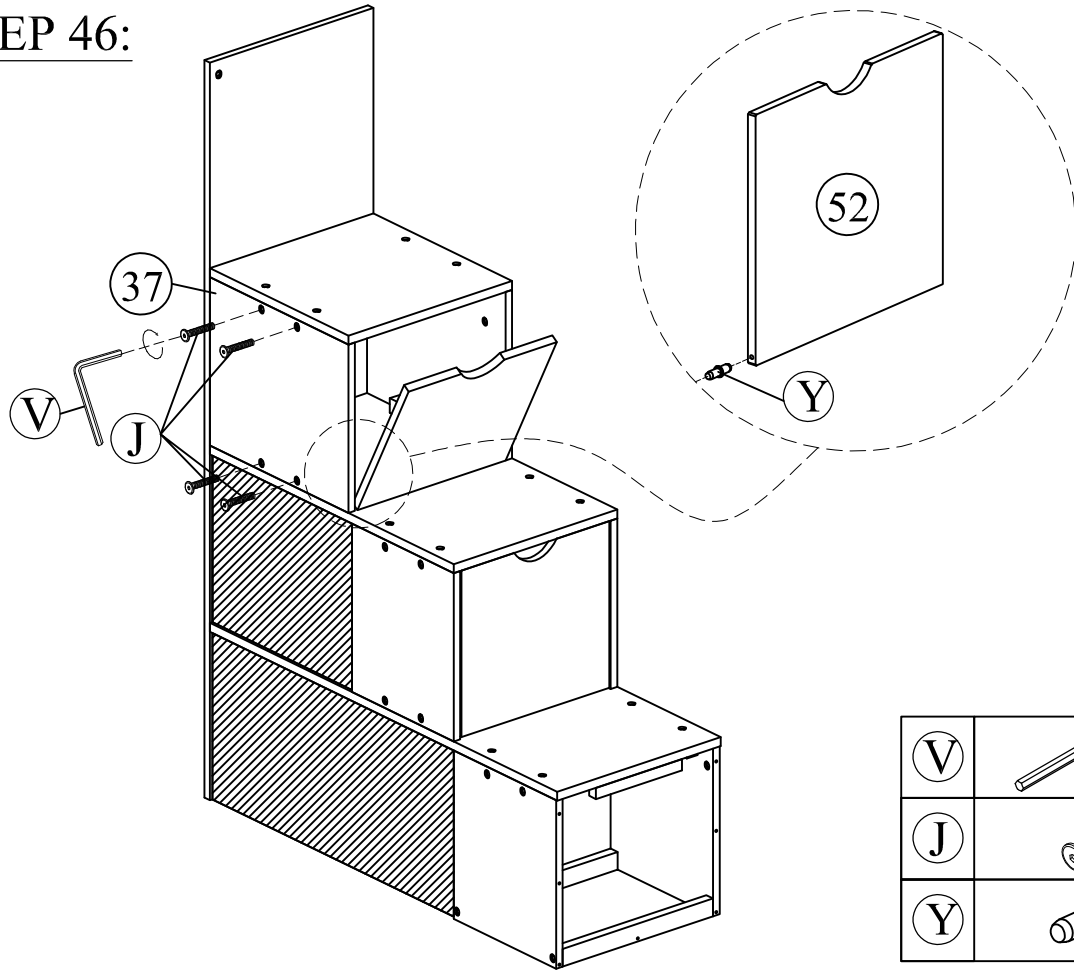
Y		01
---	---	----



STEP 45:

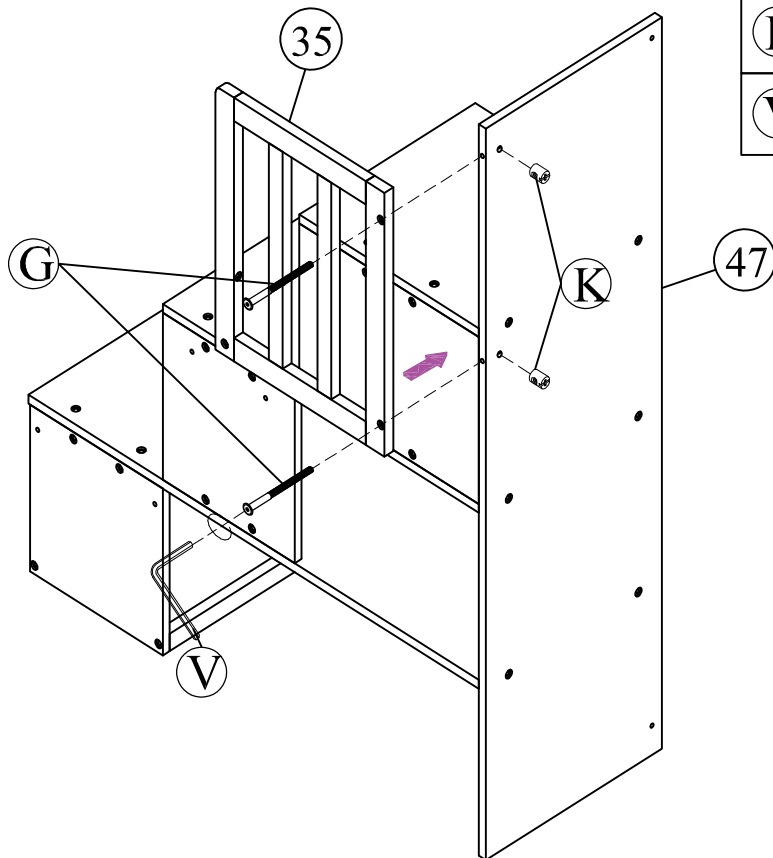


STEP 46:



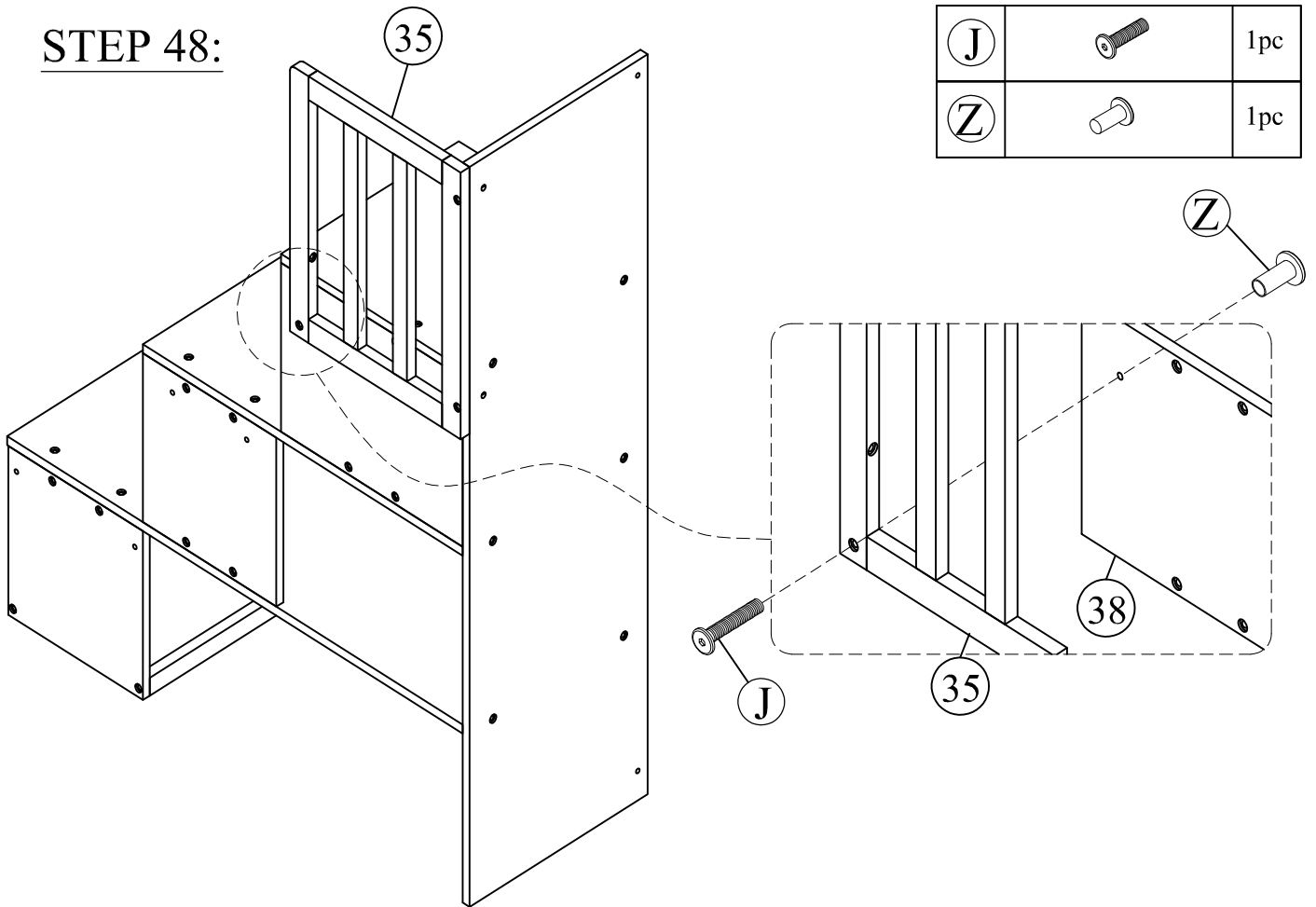
V		1pc
J		4pcs
Y		01

STEP 47:

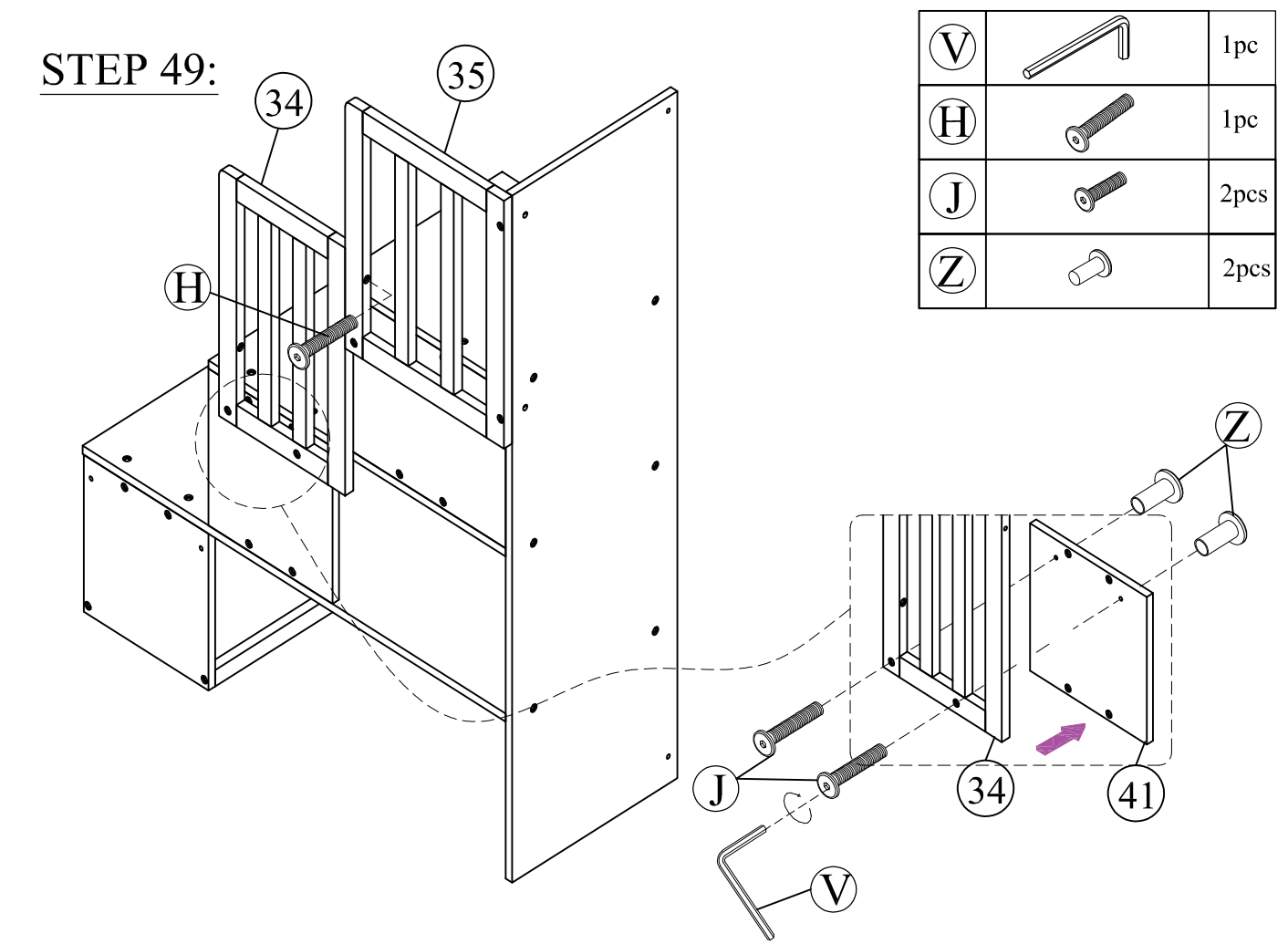


G		2pcs
K		2pcs
V		1pc

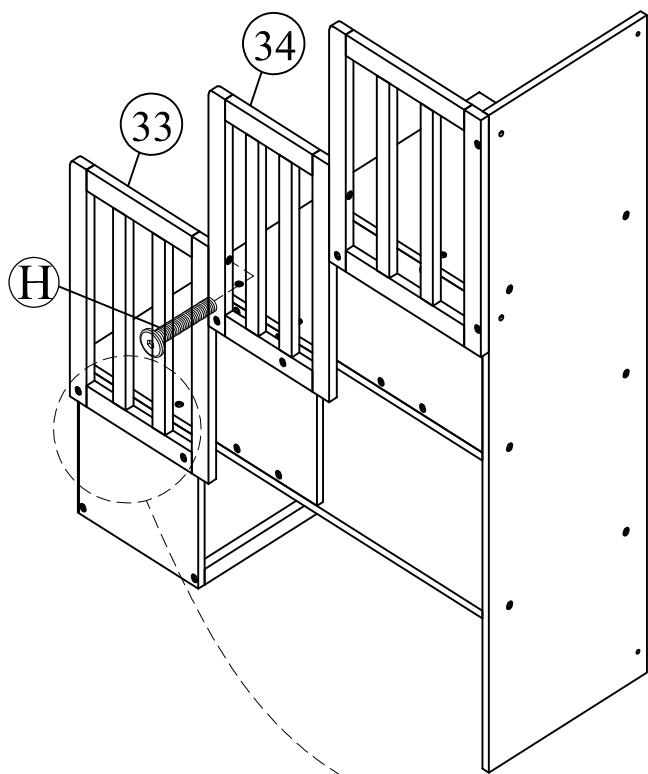
STEP 48:



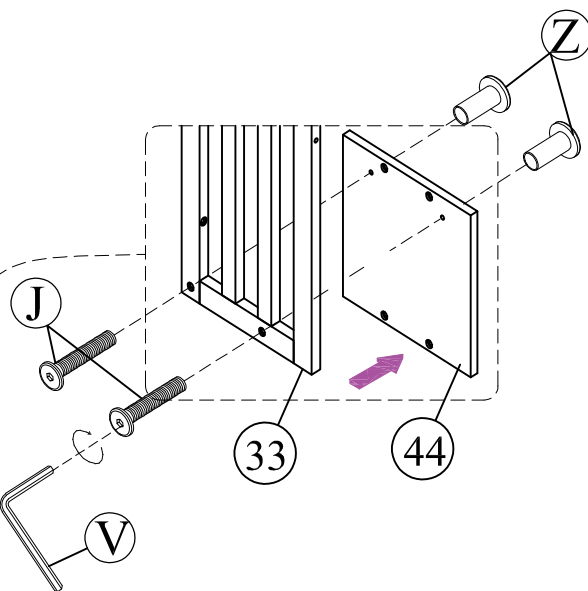
STEP 49:



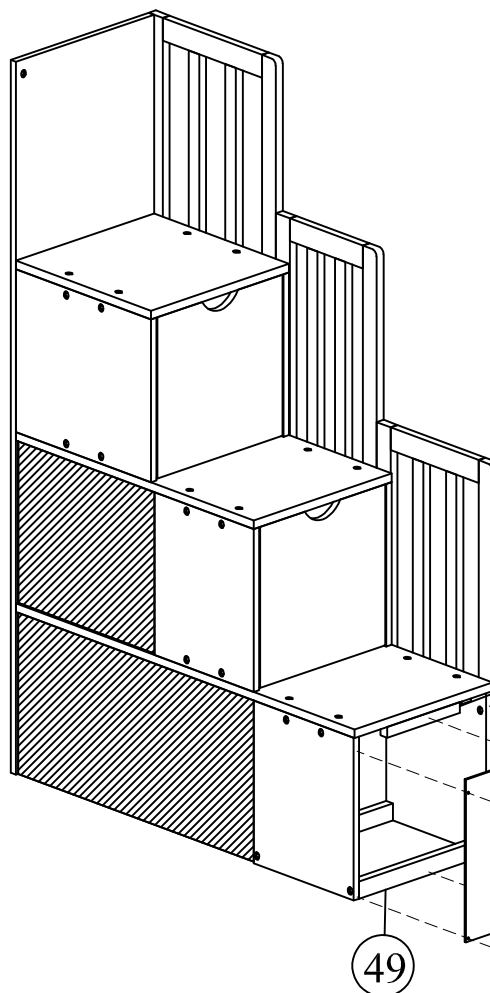
STEP 50:



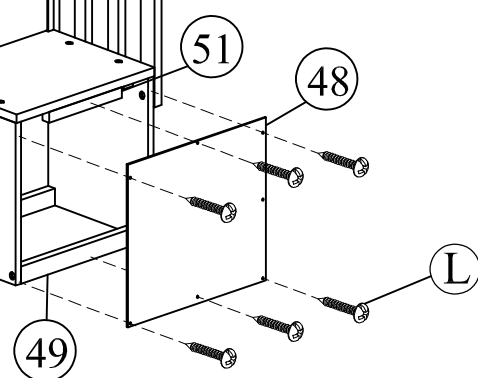
V		1pc
H		1pc
J		2pcs
Z		2pcs



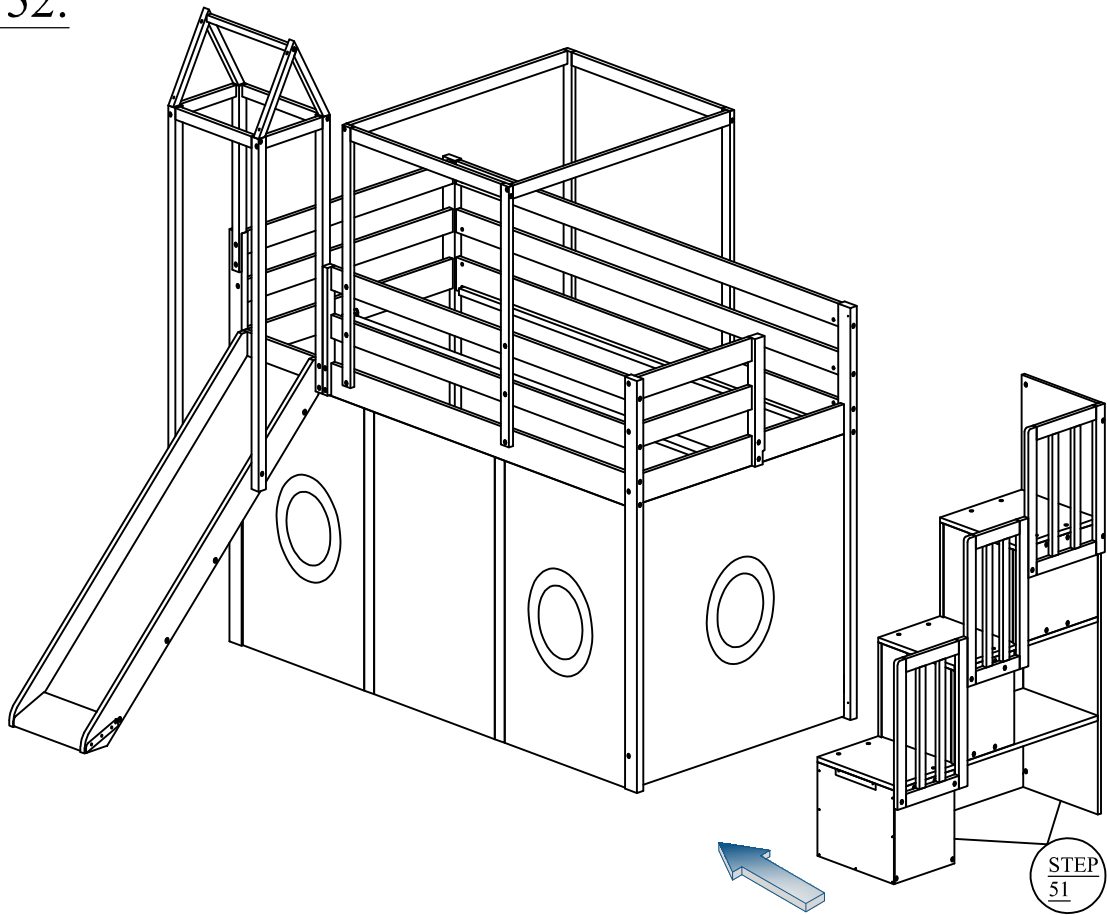
STEP 51:



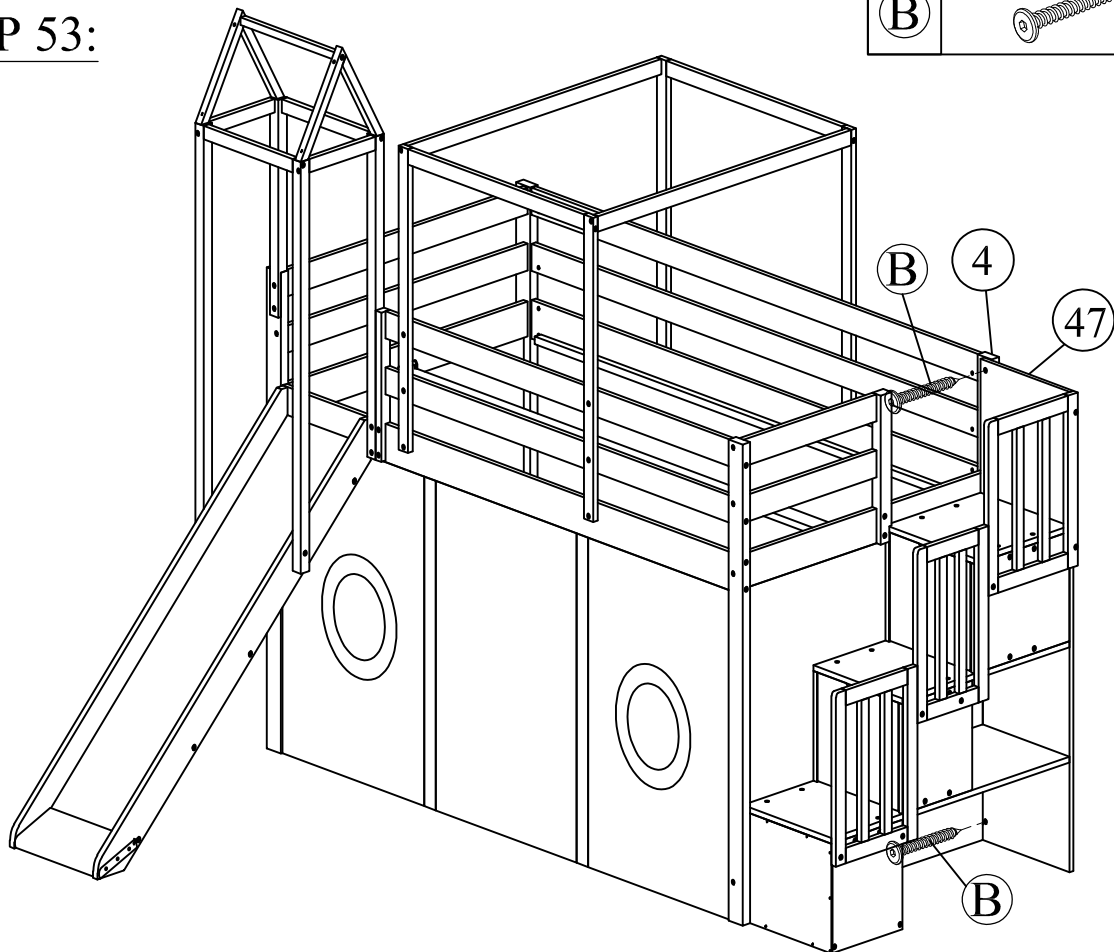
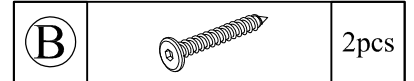
L		6pcs
---	--	------



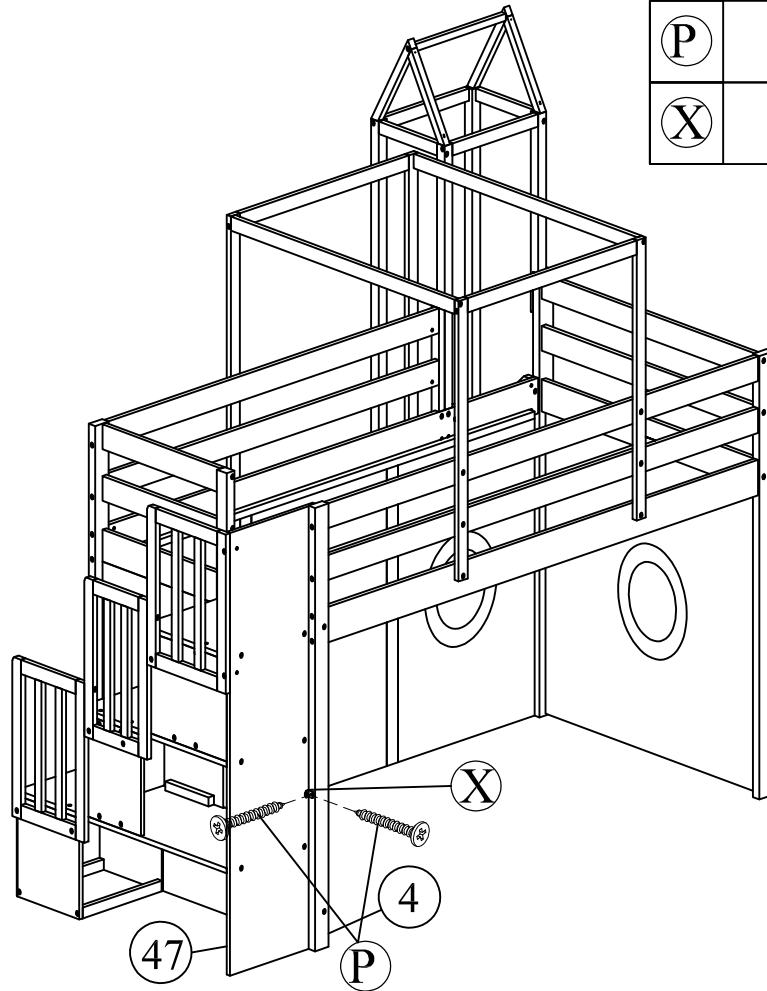
STEP 52:



STEP 53:

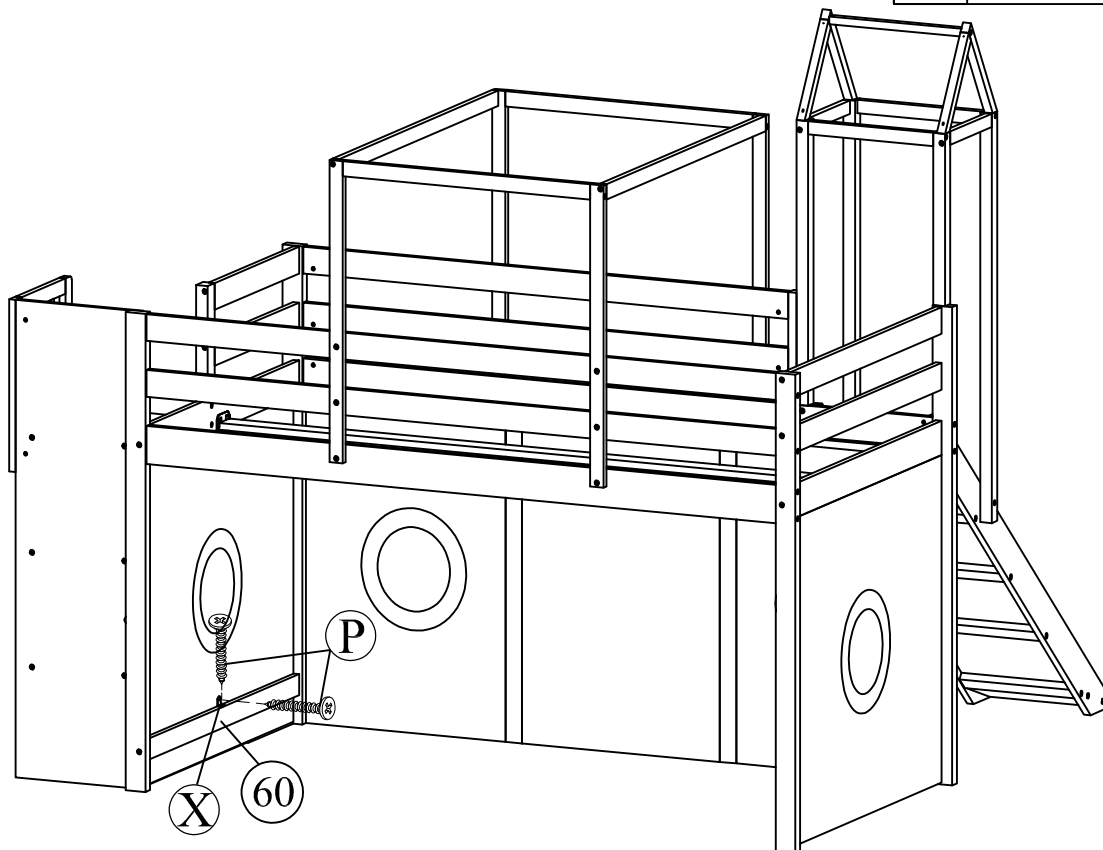


STEP 54:




(P)		2pcs
(X)		1pc

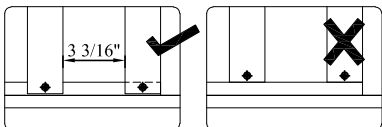
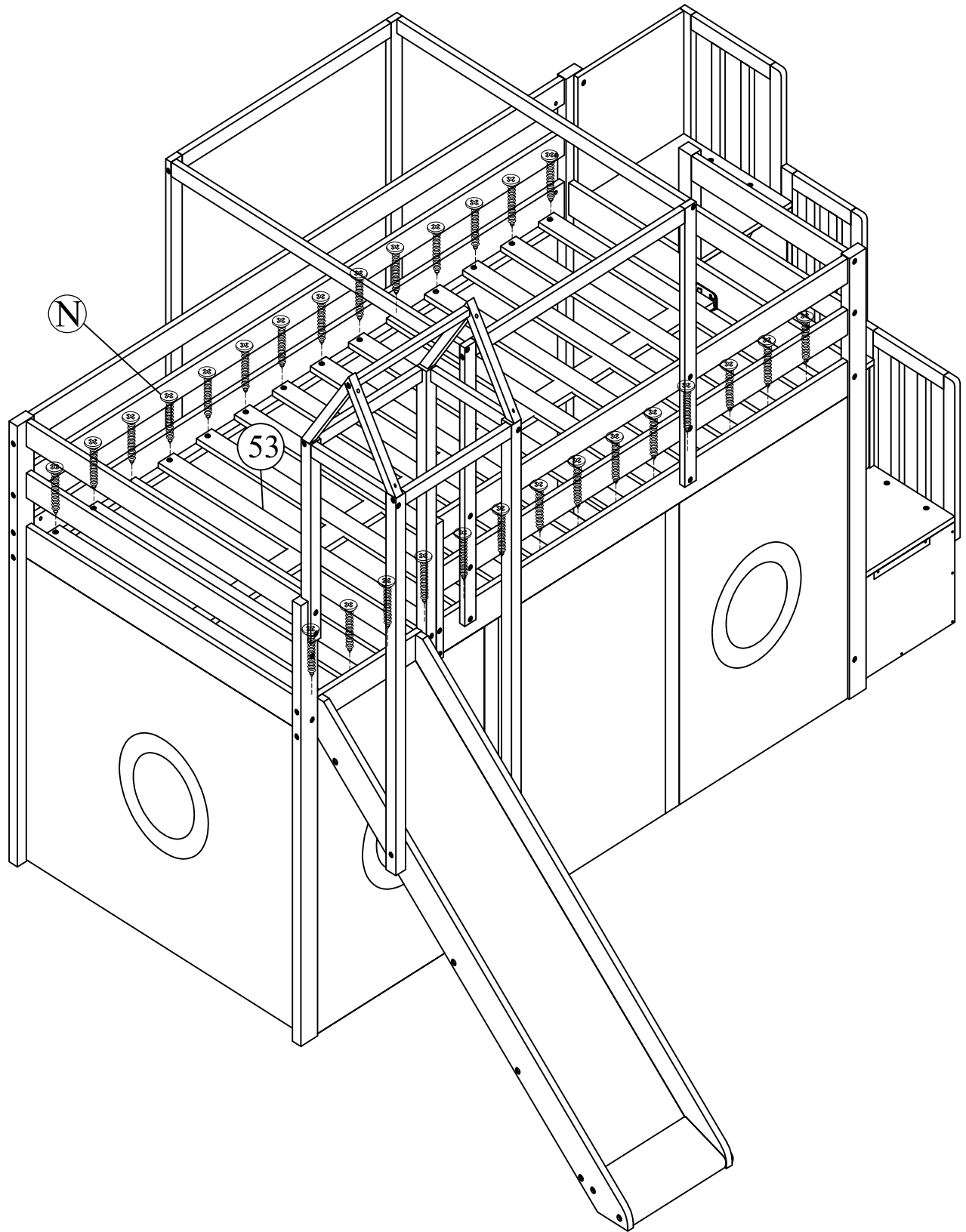
STEP 55:



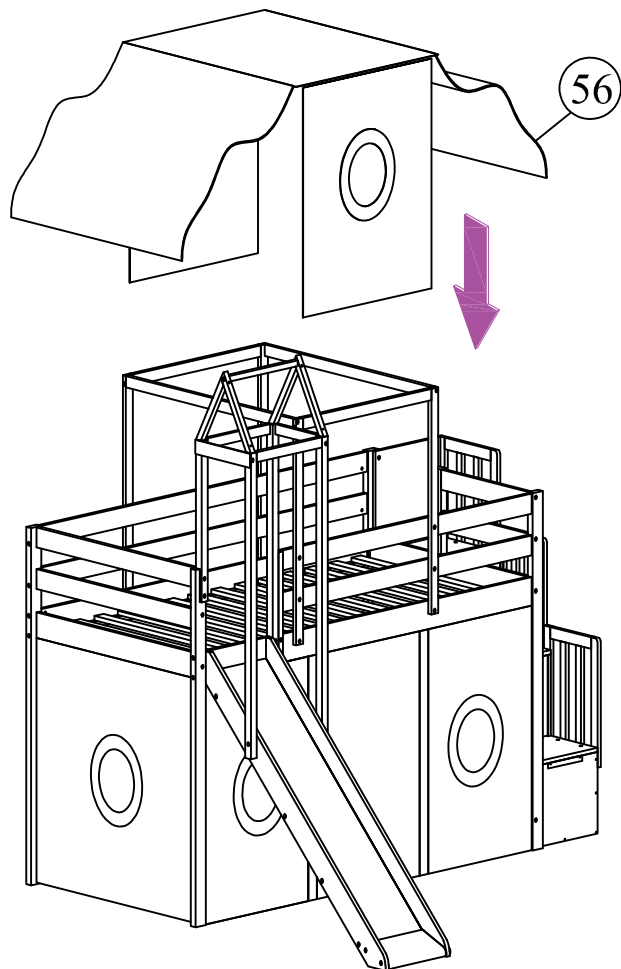
(P)		2pcs
(X)		1pc

STEP 56:

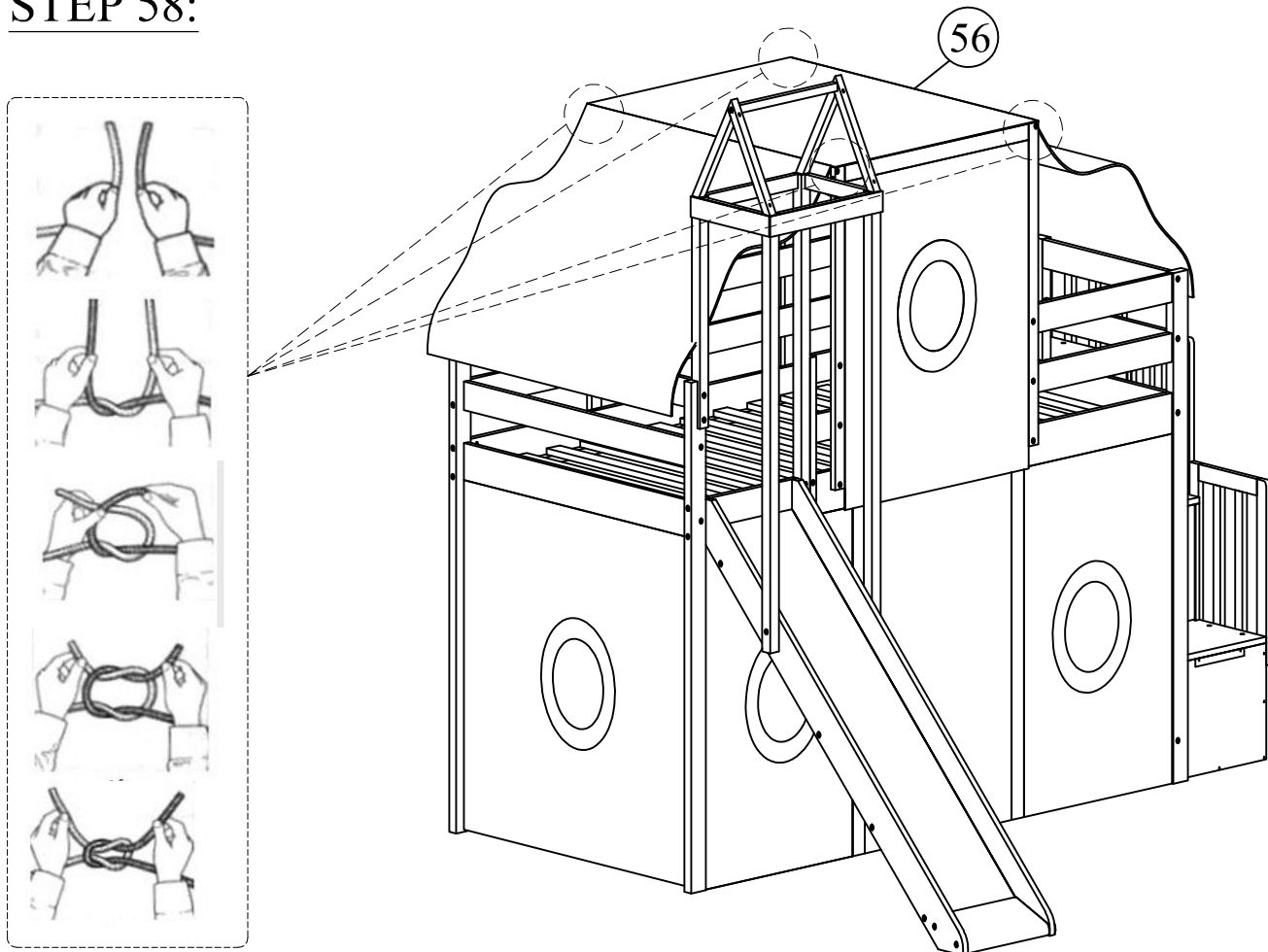
N		28pcs
---	---	-------



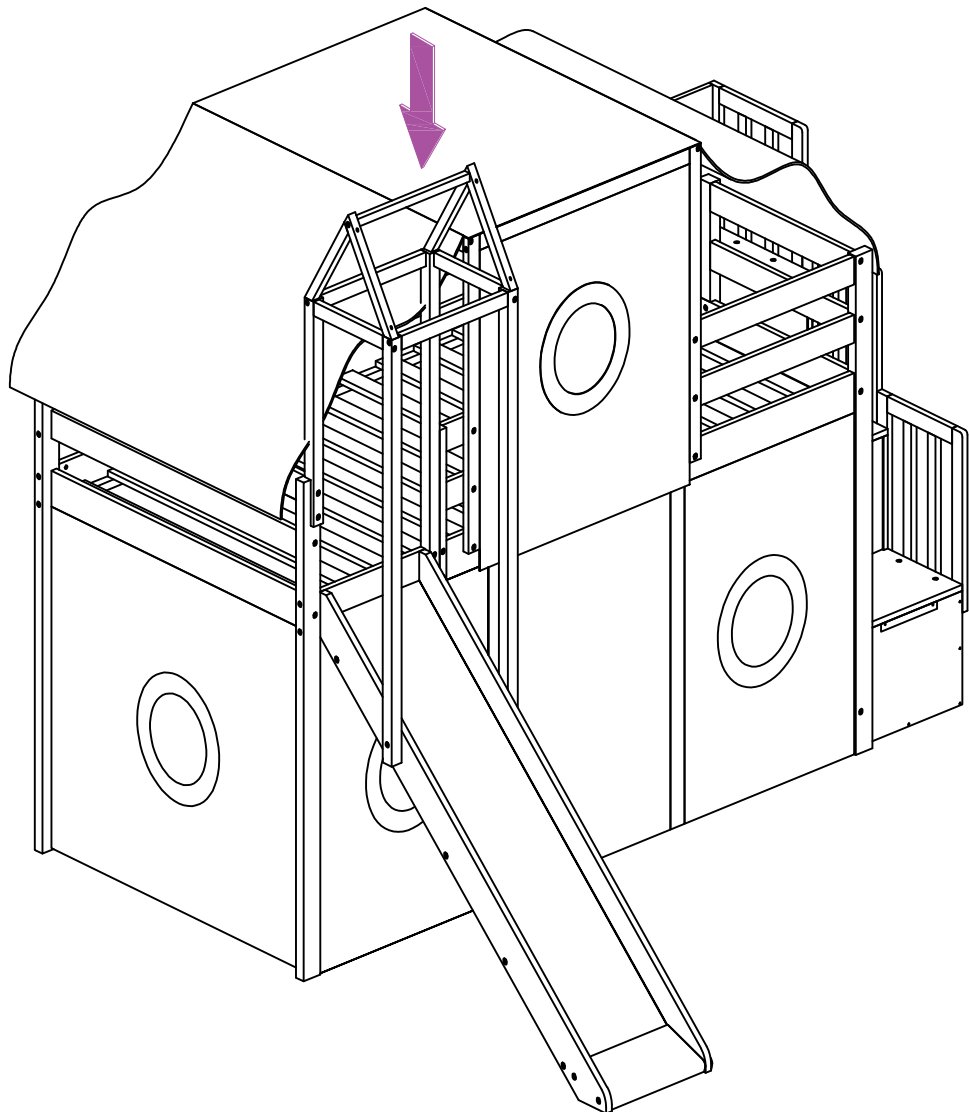
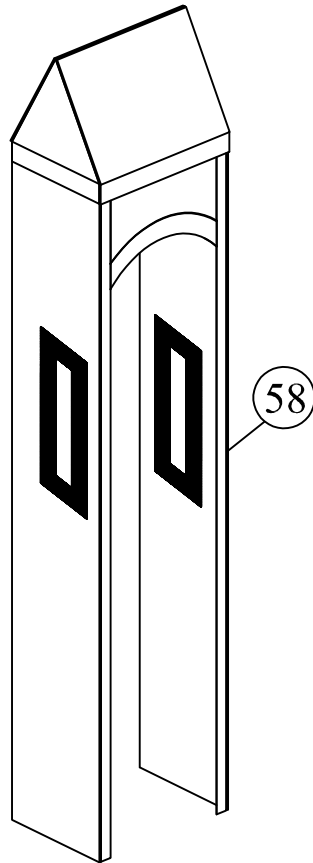
STEP 57:



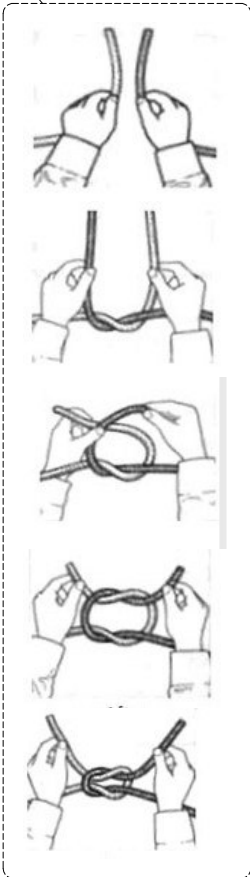
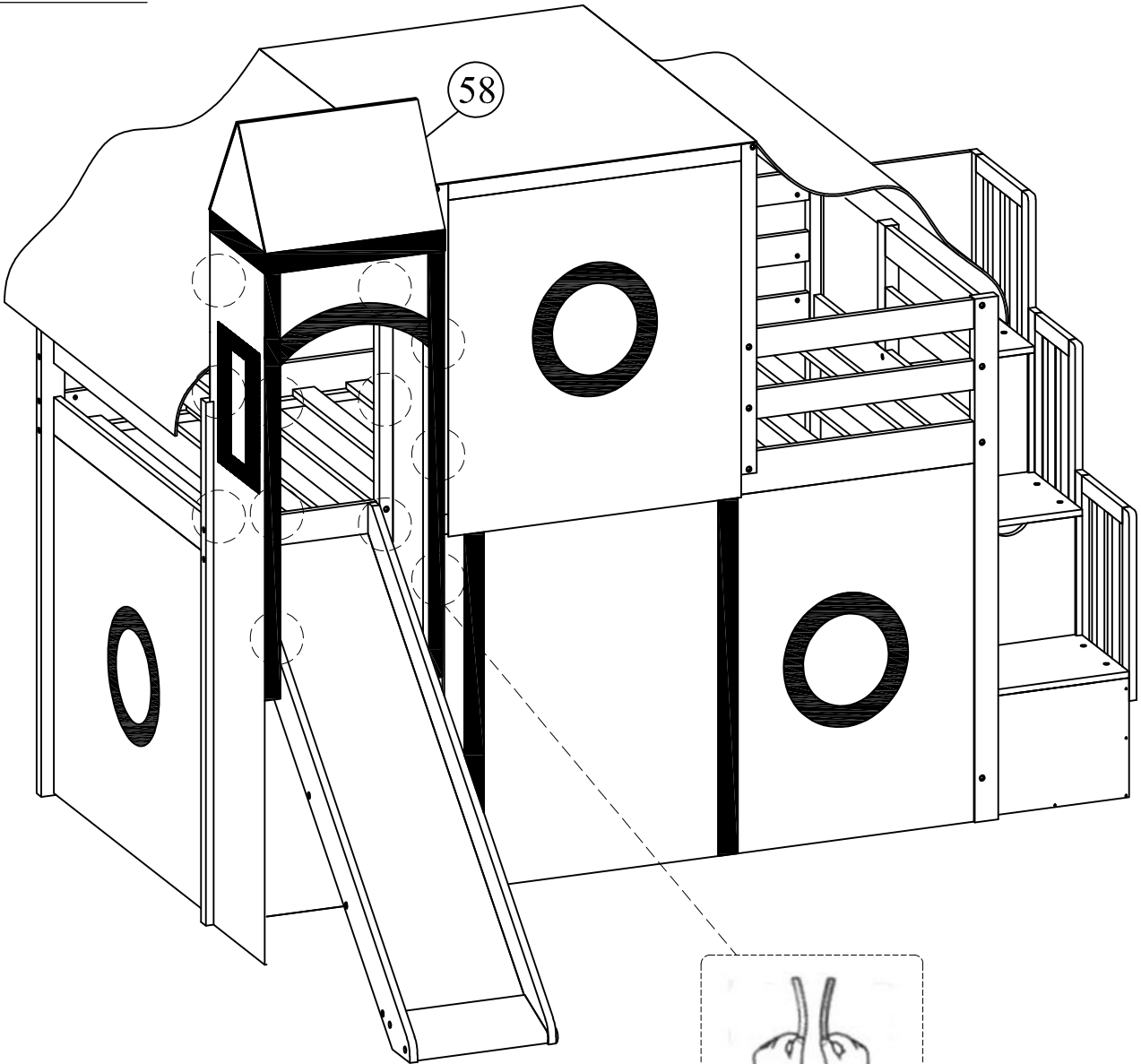
STEP 58:



STEP 59:



STEP 60:



FINAL:

