

Assembly Instructions



CAUTION: Inspect the wire insulation for any cuts, abrasions, or exposed copper that may have resulted during shipping. If there is a defect in the wire, do not attempt installation.

Before starting installation of this fixture or removal of a previous fixture, disconnect the power by turning off the circuit breaker or by removing the fuse at the fuse box.

TOOLS REQUIRED



Ladder



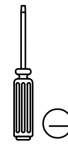
Safety
Glasses



Electrical
Tape



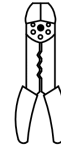
Phillips
Screwdriver



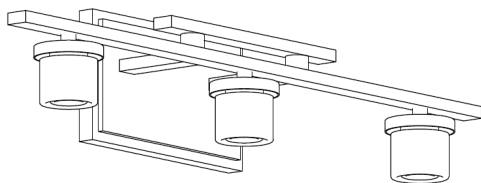
Flat Blade
Screwdriver



Pliers



Wire
Strippers



Fixture



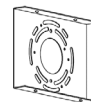
Glass
Shades



Wire
Nuts



Mounting
Screws



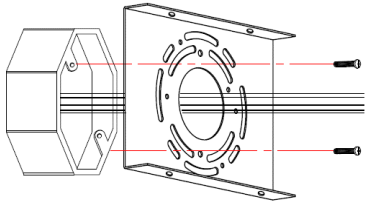
Mounting
Unit

*PARTS SHOWN MAY DIFFER SLIGHTLY PER LIGHT FIXTURE

Assembly Instructions

STEP 1

Use the mounting screws to attach the mounting unit to the junction box.



STEP 2

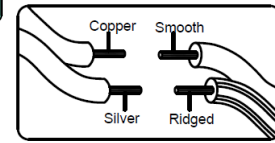
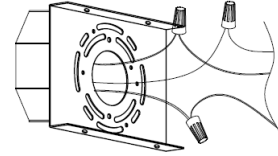
Make the electrical connection from the junction box to the fixture. Connect the ground wire to the mounting unit using the pre-installed green ground screw. Then, connect the positive, negative, and ground wires with the supplied wire nuts. Secure with electrical tape.

Connect Clear, Brown, Gold or Black Parallel Wire without tracer (round & smooth) or Black Fixture Wire to:

Black or Red Supply Wire or Insulated Wire (other than green) with copper conductor.

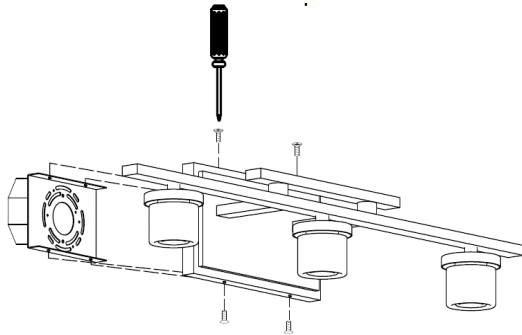
Connect Clear, Brown, Gold or Black Parallel Wire with tracer (square & ridged) or White Fixture Wire to:

White Supply Wire or Insulated Wire (other than green) with silver conductor.



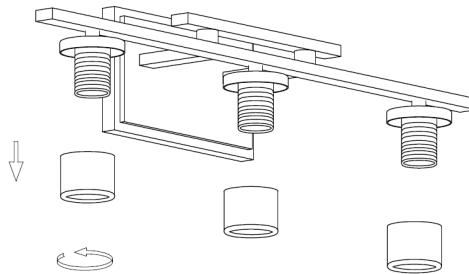
STEP 3

Place the canopy over the Mounting Unit and secure the fixture with the Cap Nuts.



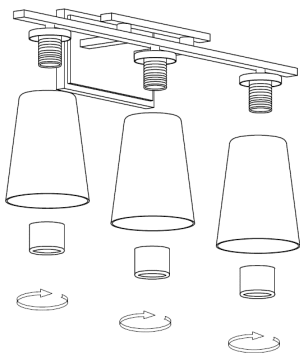
STEP 4

Unscrew the Socket Rings.



STEP 5

Install the Glass Shades.



STEP 6

Install bulb(s) (not included)
(3) E26 Type A, Max Watt 60W

