

Assembly Instructions

Model Name: LUNA GAS LIFT BED


IMPORTANT

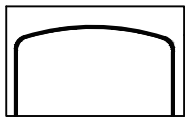
Please inspect all items carefully before assembling if for any reason you need to return this item, you must return it in its original packaging.

Assembled items cannot be returned.

Footboard and some other parts are in the rear headboard. Unzip for access.

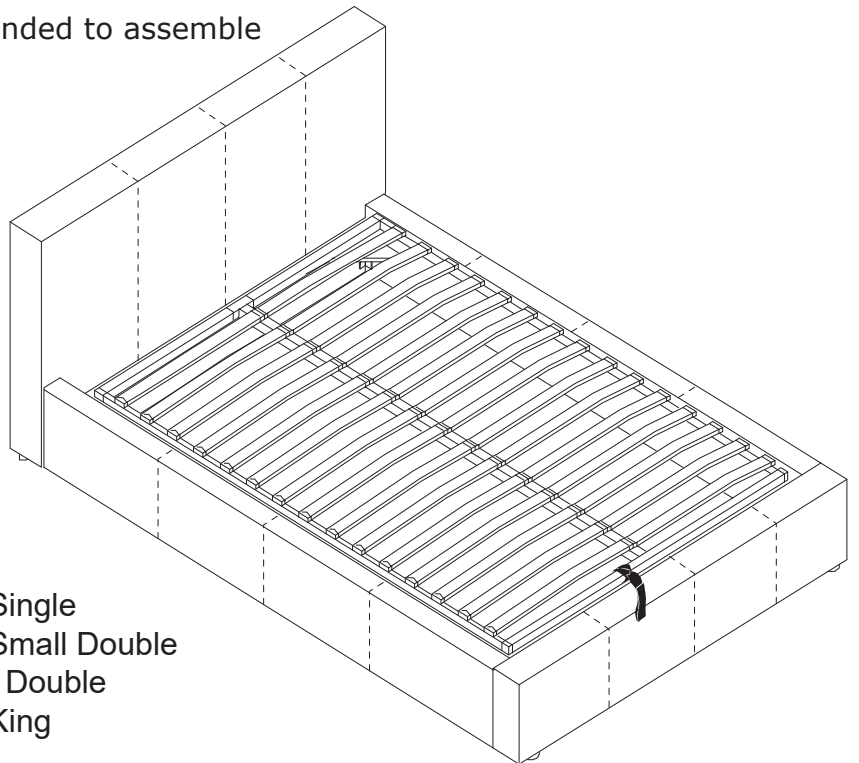
Minimum No. of people recommended to assemble this product: 2

Approx assembly time:  1 1/2 hours



Rear Headboard

FOOTBOARD, ALL FITTINGS, FIXTURES AND SLATS ARE LOCATED IN THE ZIP COMPARTMENT ON THE BACK OF THE HEADBOARD



SIZES AVAILABLE:

2020mm x 1090mm x 890mm 3ft Single

2020mm x 1390mm x 890mm 4ft Small Double

2020mm x 1540mm x 890mm 4ft6 Double

2120mm x 1690mm x 890mm 5ft King

PLEASE READ this sheet prior to assembly to familiarize yourself with the various stages of construction.

Carefully open the pack supplied and check the contents against the parts and fitting check list.

Do not discard the packing until after you have assembled the bed fully. If for any reason this bed needs to be returned it must be in its original packaging.

Please ensure that the packing is disposed of in a safe environmentally friendly way.

CAUTION: There are small components used in the construction of this unit. These loose items should be kept away from young children whilst assembling your unit to avoid the danger of choking hazards.



2 PERSON BUILD

IMPORTANT - READ CAREFULLY - RETAIN THESE INSTRUCTIONS FOR FUTURE REFERENCE

- Due to the size of this product we recommend that it is assembled in the room intended for use.

- When you are ready to start, make sure that you have the right tools, plenty of space and a clean, dry area for assembly.

- **PLEASE KEEP THE ORIGINAL PACKING UNTIL YOUR ITEM IS FULLY ASSEMBLED.**

IN THE UNLIKELY EVENT YOU NEED TO RETURN YOUR PRODUCT, IT MUST BE RETURNED IN ITS ORIGINAL PACKING. OTHERWISE NO RETURNS WILL BE ACCEPTED.

- Check the pack and make sure you have all the parts listed.
- Ensure that this product is fully assembled and secured as illustrated before use.
- Check all screws or bolts are tightened and inspect regularly.
- Please dismantle for transportation.

- **IF THIS PRODUCT IS GOING TO BE USED ON A WOOD, LAMINATE OR TILED FLOOR, YOU MUST APPLY "ANTI SLIP PADS" TO ALL LEGS TOUCHING THE FLOOR.**

THESE ARE AVAILABLE TO BUY IN MOST HARDWARE SHOPS IN A FELT MATERIAL OR RUBBER AND ARE RELATIVELY INEXPENSIVE. THE PADS WILL PROTECT YOUR FLOOR FROM ANY MARKING AND ALSO FROM SLIPPING.

FAILURE TO APPLY THE PADS WILL RESULT IN NO RETURNS OF THE PRODUCT AND ANY SPARE'S REQUESTED.

WARNINGS

- This product is intended for a maximum person's weight of 125 kg per side. Do not exceed this weight.

- Keep small parts out of reach of children.
- Make sure the legs remain in contact with the ground when mattress is on.
- Do not use power tools to construct this product, only use the tools listed. The use of any power tool will invalidate any future claim.
- Do not tighten screws until **fully assembled**.
- Do not over tighten screws or bolts.
- Do not use this product if parts are missing, damaged or worn.
- Incorrect installation could lead to injury, take care following instructions step by step.
- Ensure no one is standing near or on the frame when opening and closing.
- Do not stand on any part of the frame for any reason with or without mattress.

CARE INFORMATION

- Never use scourers, abrasives or chemical cleaners.
- To clean wipe with a sponge and warm soapy water. Do not use solvent based cleaners or detergents as they can bleach or damage the product.

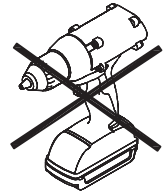
HOW TO USE BED

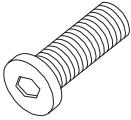

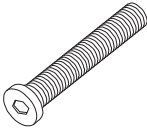
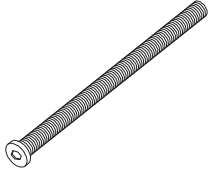
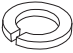

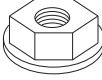
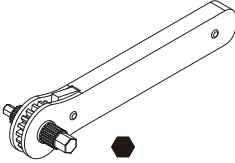

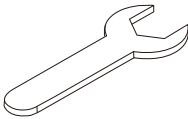
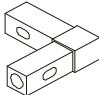

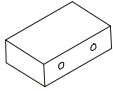

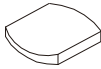

- When the bed is fully assembled, lift the frame up using strap provided, to close the frame you will need to place both hands on the metal bar at the foot end of the frame that is in the air (one hand in the center of each of the two rows of slats). The bed will only work if this is done centrally. To close the frame: Apply pressure from above, do not try to close from the side or any other way. Please also note the gas lift arms do not move up and down on their own and only work if the bed is fully assembled and assembled correctly.



2 PERSON BUILD

PLEASE ENSURE ALL FITTINGS ARE CORRECT BEFORE STARTING TO ASSEMBLE AS WE DO NOT ACCEPT PART ASSEMBLED RETURNS



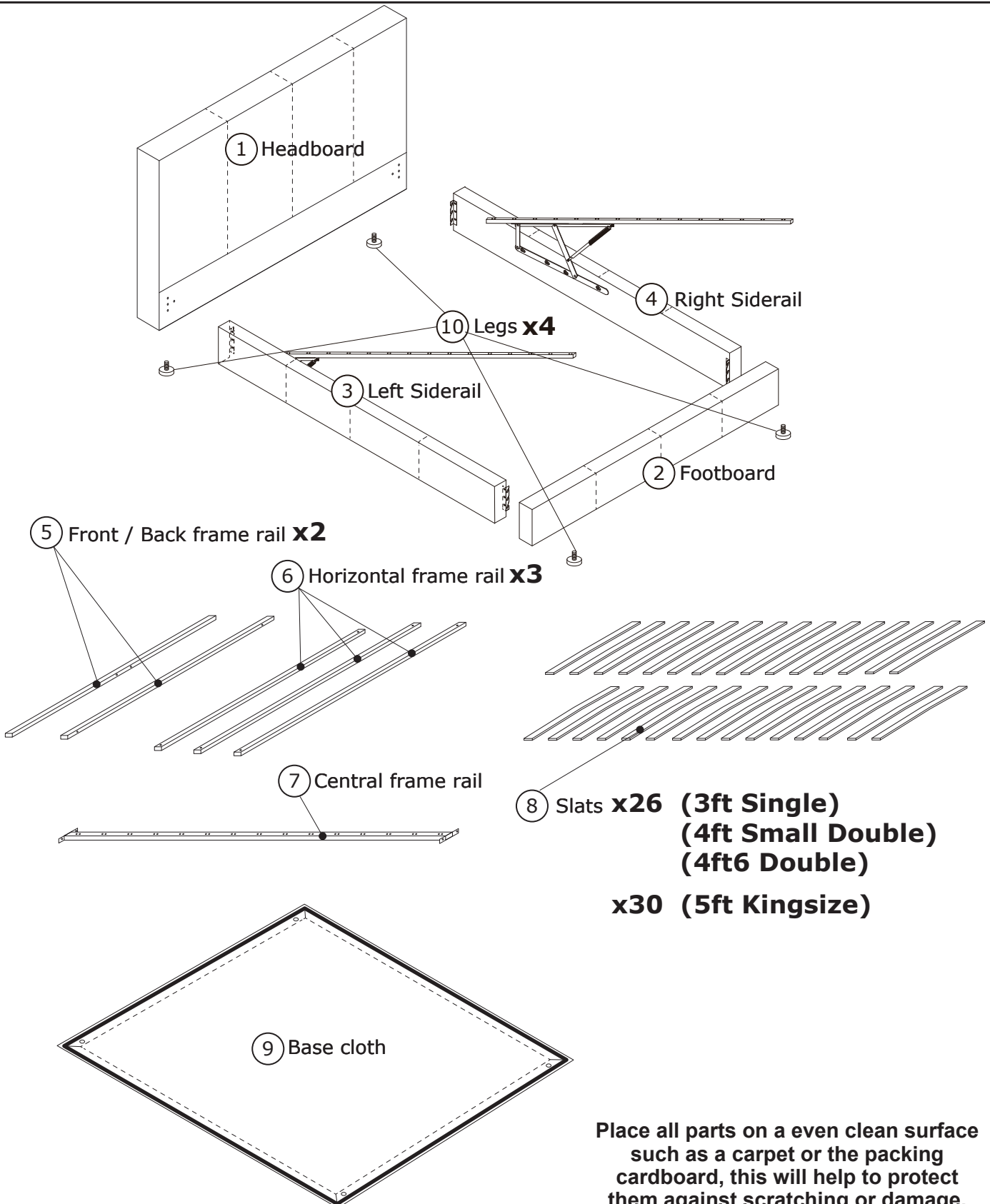
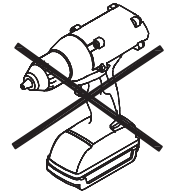
<p>A × 12</p>  <p>M8×25 mm</p>	<p>B × 12</p>  <p>M6×15 mm</p>	<p>C × 6</p>  <p>M6×30 mm</p>	<p>D × 2</p>  <p>M6×65 mm</p>
<p>E × 12</p>  <p>Spring Washer</p>	<p>F × 12</p>  <p>Flat Washer</p>	<p>G × 2</p>  <p>Nut</p>	<p>H × 1</p>  <p>Ratchet</p>
<p>J × 3</p>  <p>EVA Foam Pad</p>	<p>K × 1</p>  <p>Spanner</p>	<p>L × 4</p>  <p>Base Frame Corner Connector</p>	<p>M × 4</p>  <p>Corner Bracket</p>
<p>N × 1</p>  <p>Holding Block</p>	<p>P × 26 (3ft Single) (4ft Small) (4ft6 Double) × 30 (5ft Kingsize)</p>  <p>Side Plastic Cap</p>	<p>Q × 13 (3ft Single) (4ft Small) (4ft6 Double) × 15 (5ft Kingsize)</p>  <p>Central Plastic Cap</p>	<p>R × 1</p>  <p>Belt</p>

Fittings are in the back of headboard in Box 1.



2 PERSON BUILD

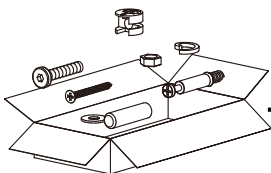
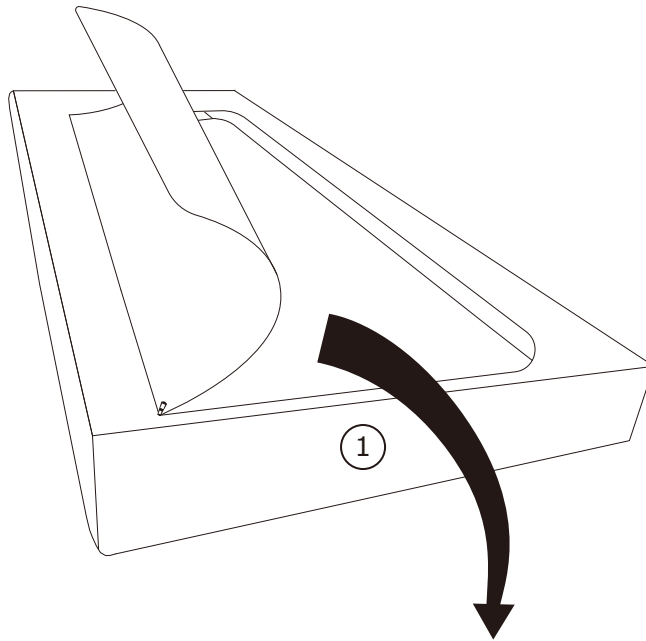
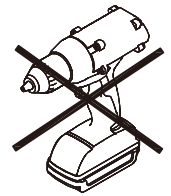
PLEASE ENSURE ALL PARTS ARE CORRECT BEFORE STARTING TO ASSEMBLE AS WE DO NOT ACCEPT PART ASSEMBLED RETURNS



Place all parts on a even clean surface such as a carpet or the packing cardboard, this will help to protect them against scratching or damage.




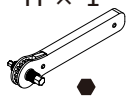
1

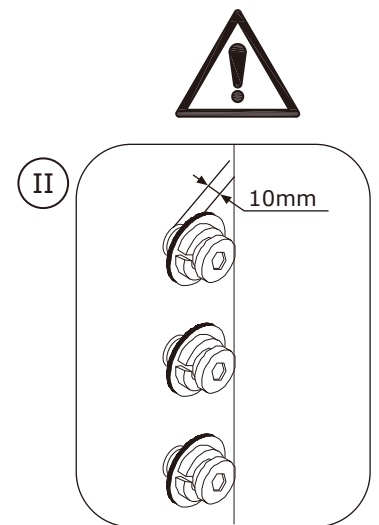
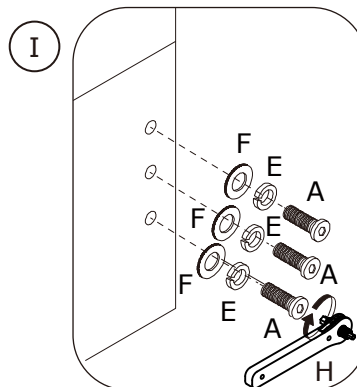
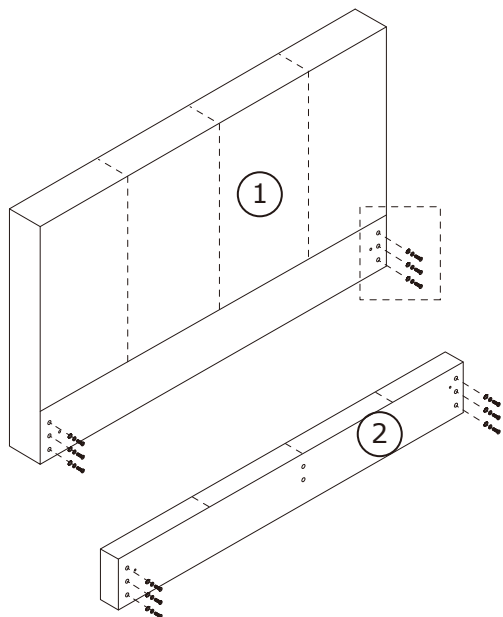
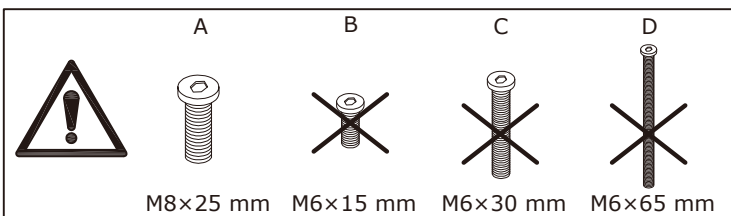
OPEN BACK OF HEADBOARD




+Part 2 + 5 x 2 + 6 x 3 + 8 x 26 (3ft Single / 4ft Small / 4ft 6 Double) + 9 + 10 x 4
 x 30 (5ft Kingsize)

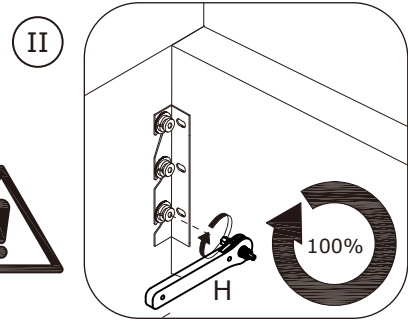
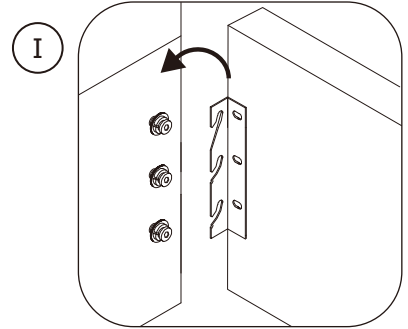
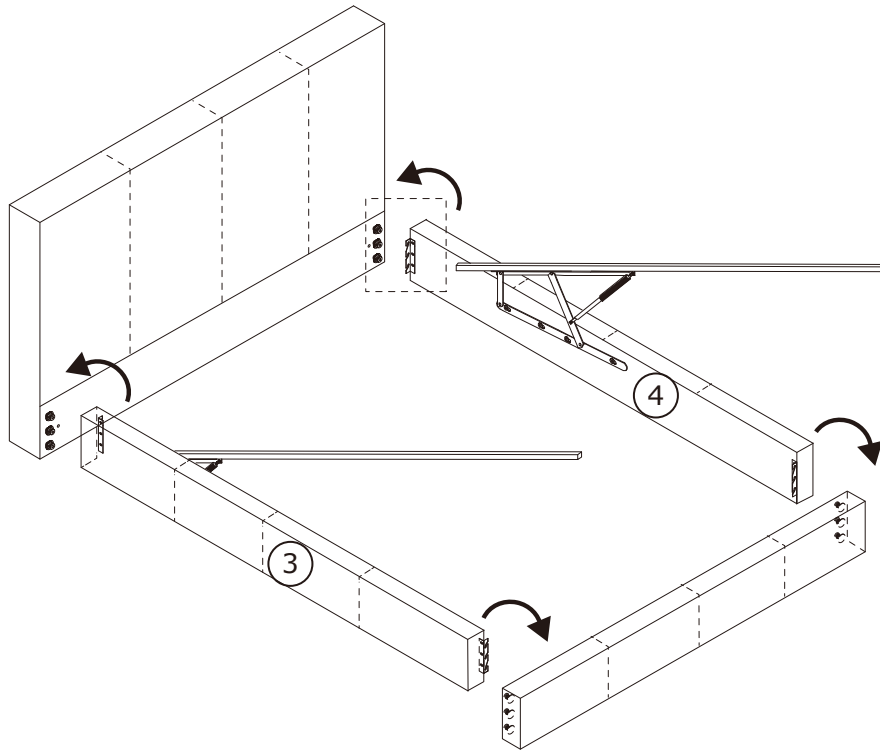
2

A x 12  M8x25 mm	E x 12  Spring Washer	F x 12  Flat Washer	H x 1  Ratchet 5mm	
---	--	--	---	--


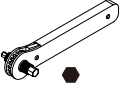







3

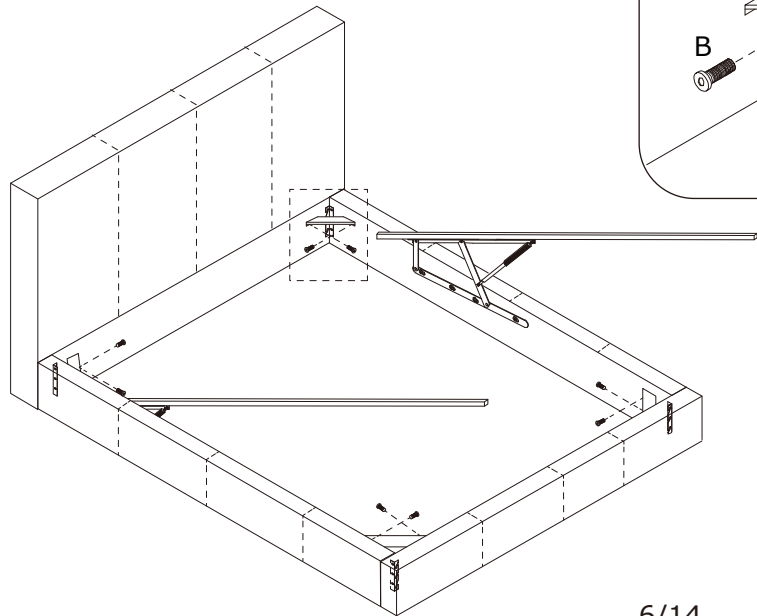
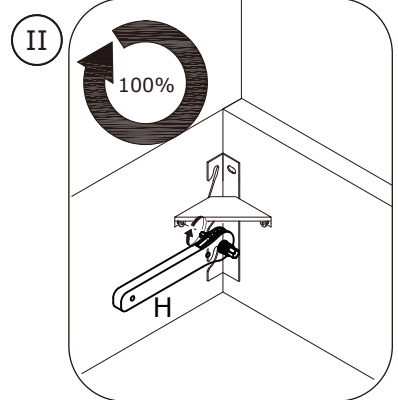
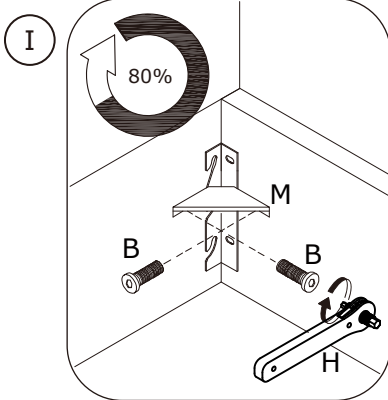
$H \times 1$	
	
Ratchet 5mm	

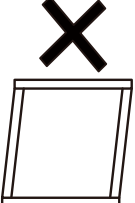
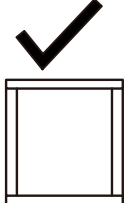


4


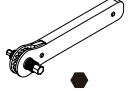
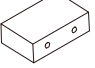
$B \times 8$	$H \times 1$	$M \times 4$	
			
M6x15 mm	Ratchet 4mm	Corner Bracket	





	B	C	D
			
	M6x15 mm	M6x30 mm	M6x65 mm

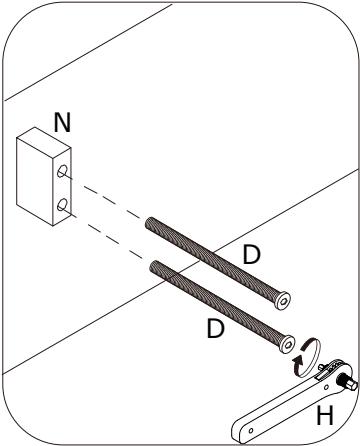
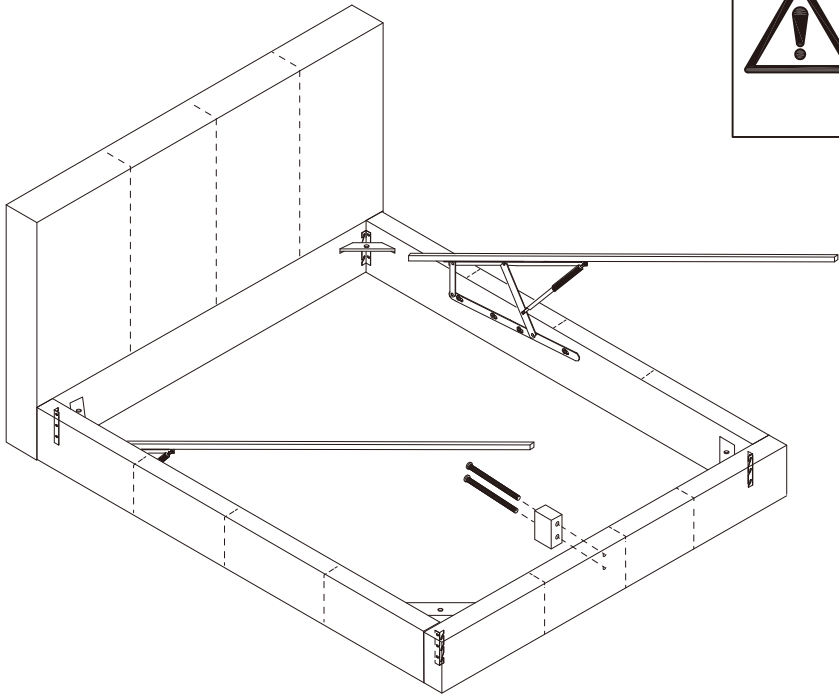


	
WRONG	CORRECT
Ensure bed is square.	

5

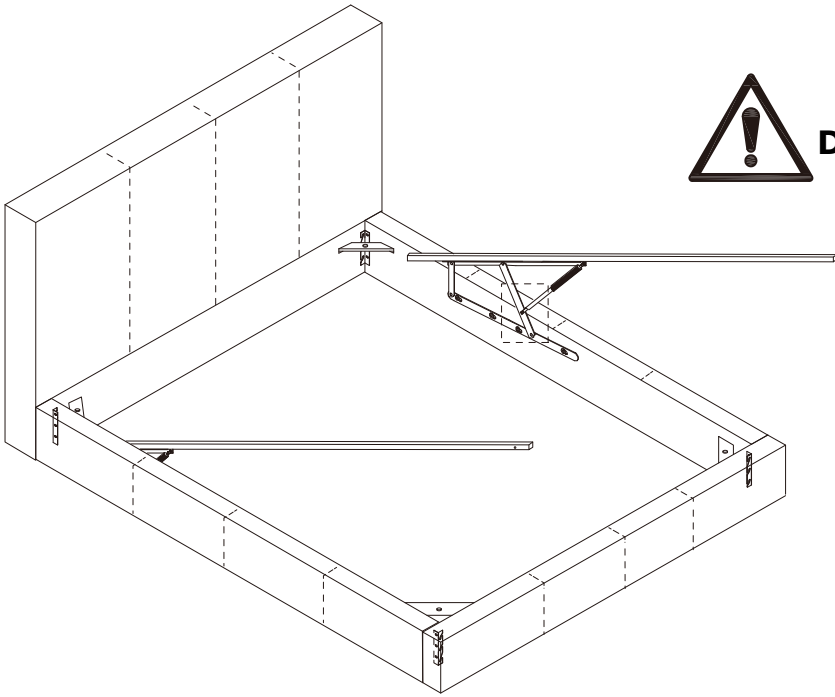
$D \times 2$  M6x65 mm	$H \times 1$  Ratchet 4mm	$N \times 1$  Holding Block
---	--	--

	B  M6x15 mm	C  M6x30 mm	D  M6x65 mm
---	--	--	--

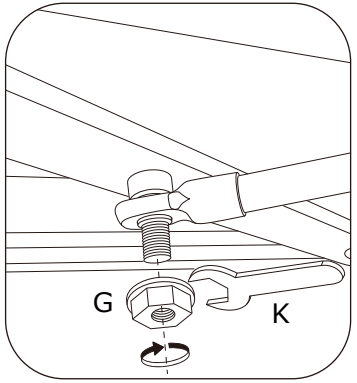


6

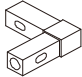
$G \times 2$  Nut	$K \times 1$  Spanner
--	--

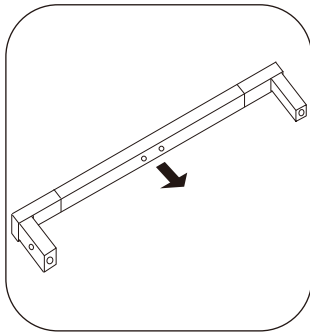
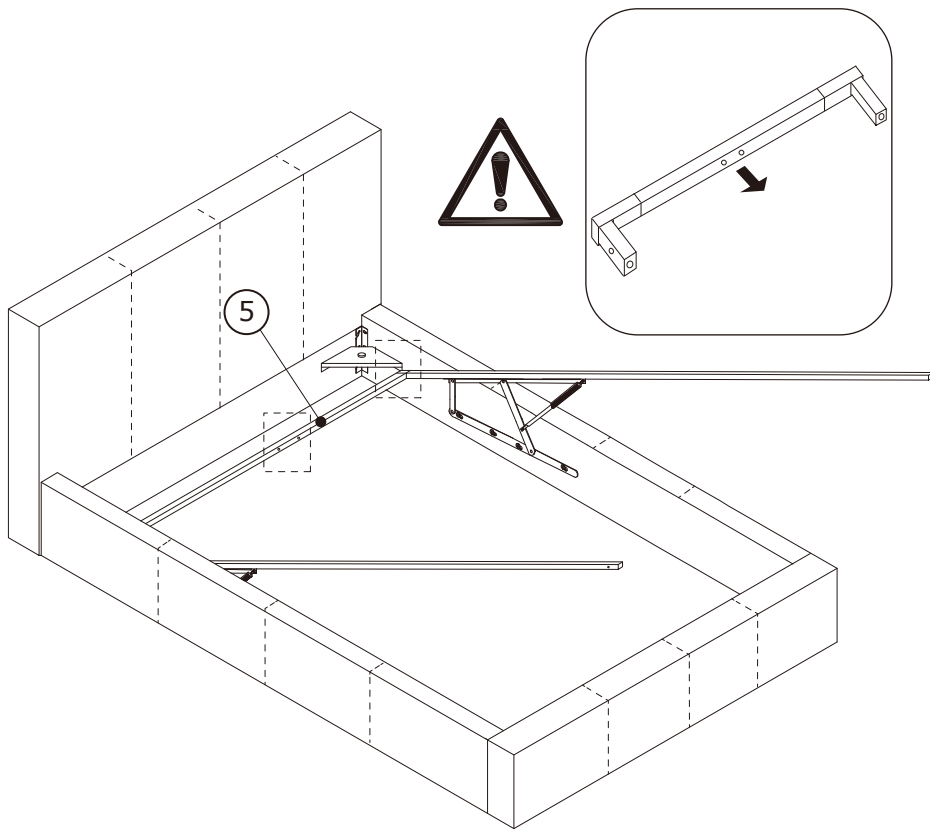


Do not over tighten the nuts.

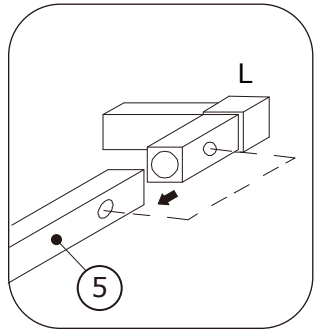


7

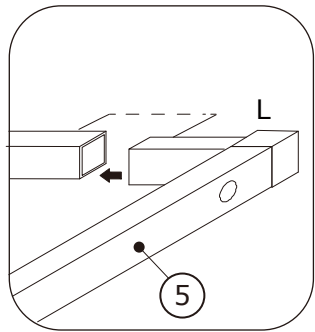
<p>L x 2</p>  <p>Corner Connector</p>	
--	--




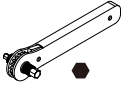

I

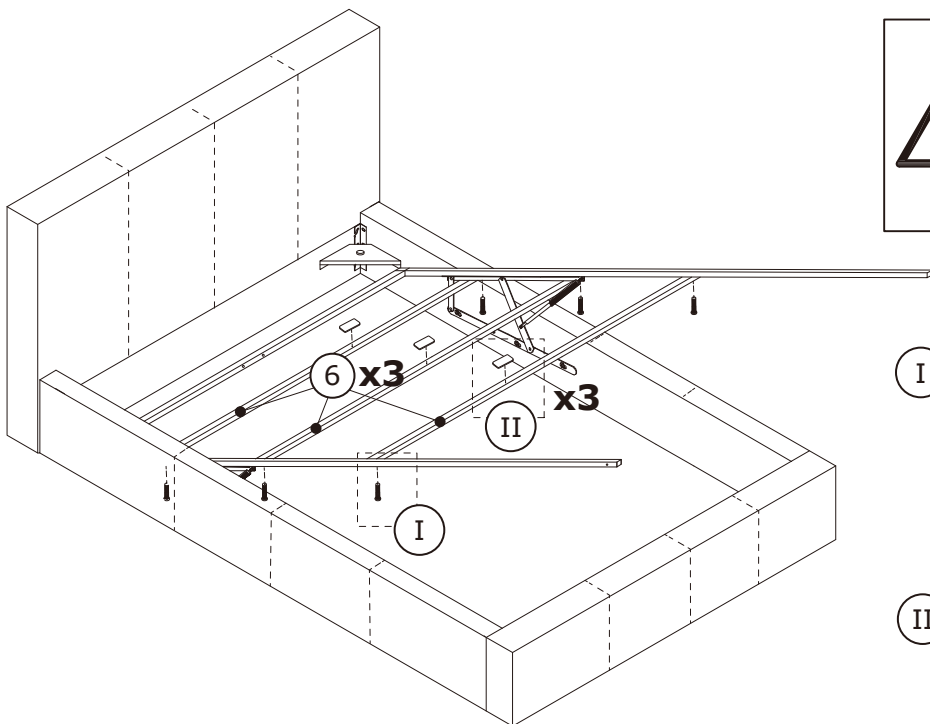




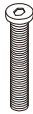
II



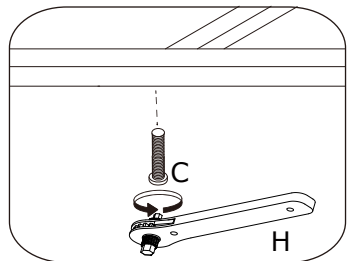
8

<p>C x 6</p>  <p>M6x30 mm</p>	<p>H x 1</p>  <p>Ratchet 4mm</p>	<p>J x 3</p>  <p>EVA Foam Pad</p>	
--	---	--	--

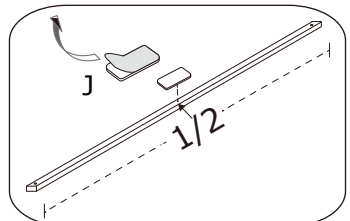


	<p>B</p> 	<p>C</p> 
	<p>M6x15 mm</p>	<p>M6x30 mm</p>



I






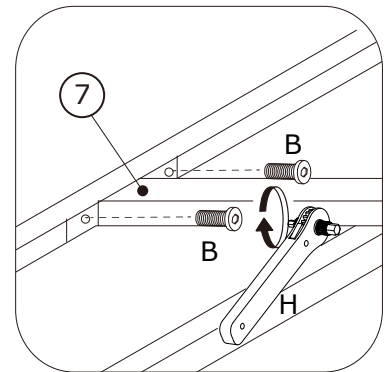
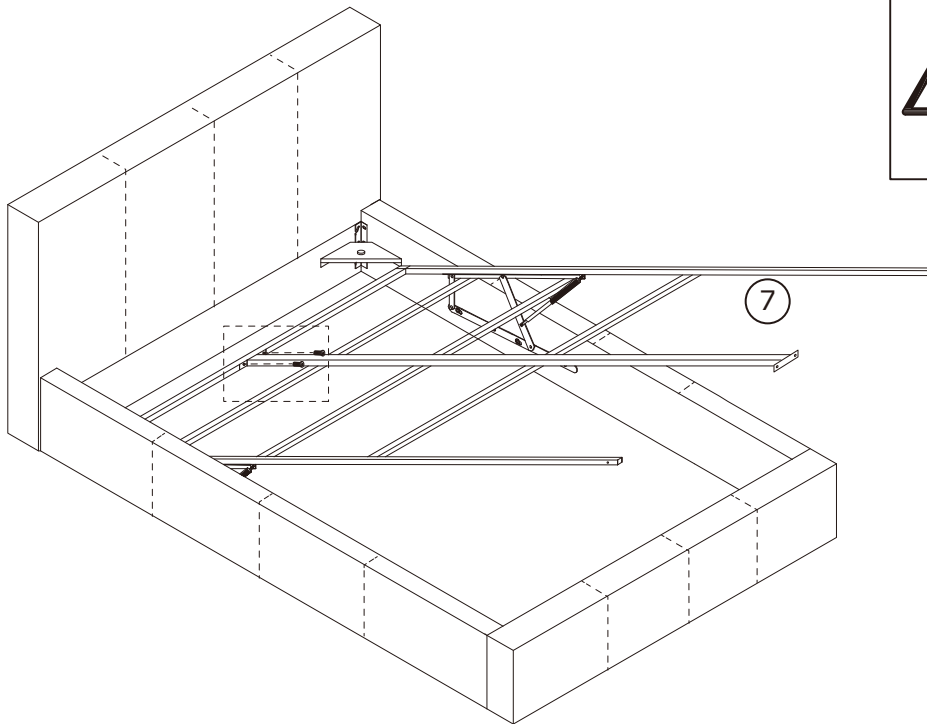
II



9

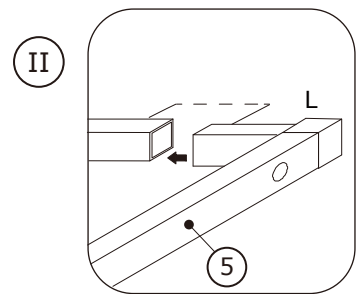
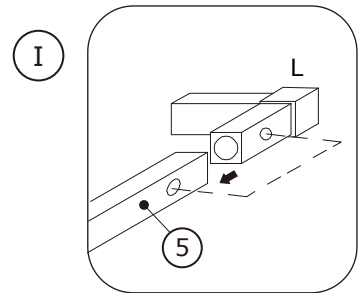
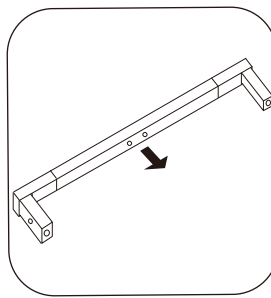
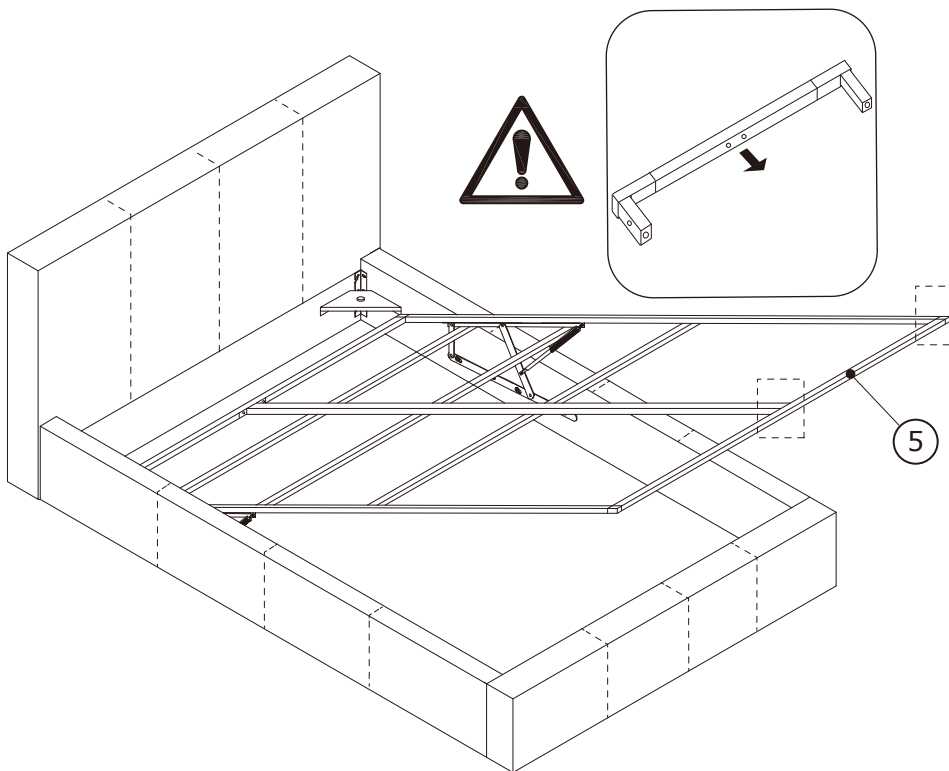
<p>B × 2</p>  <p>M6×15 mm</p>	<p>H × 1</p>  <p>Ratchet 4mm</p>	
--	---	--

	<p>B</p>  <p>M6×15 mm</p>	<p>C</p>  <p>M6×30 mm</p>
---	--	--

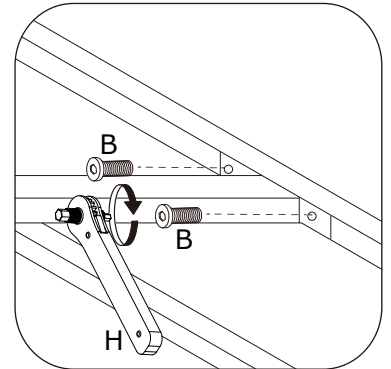
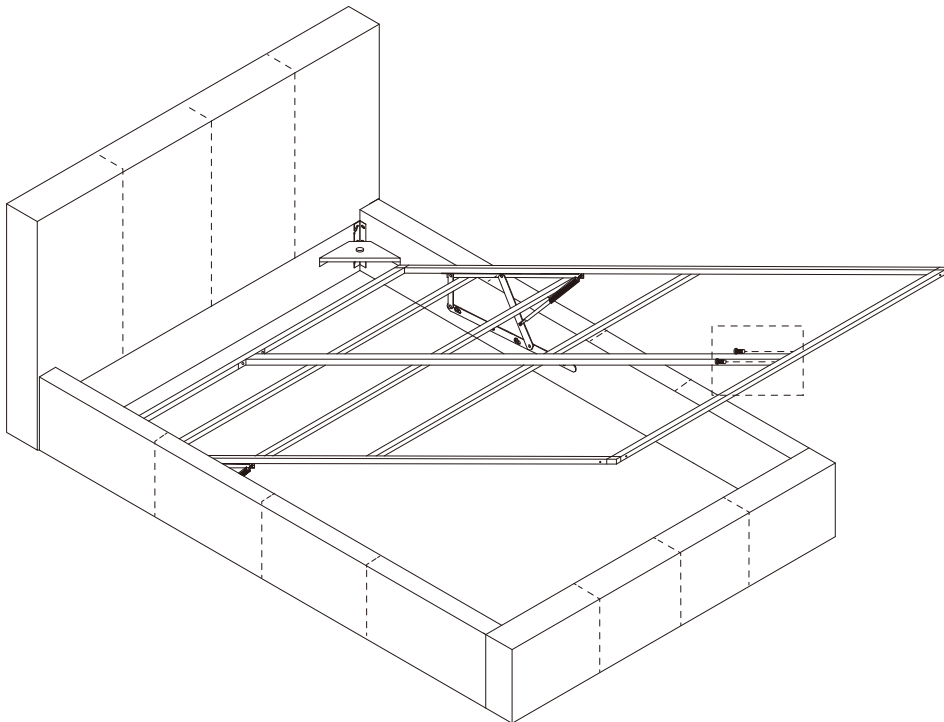
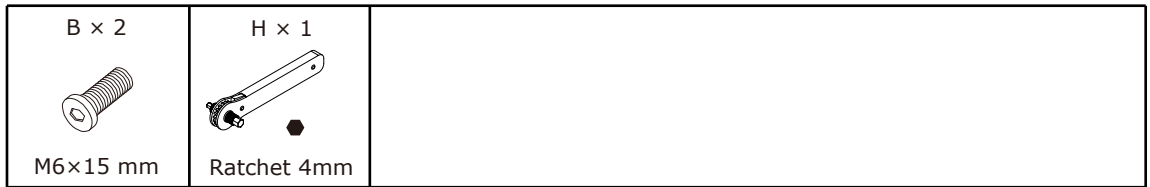


10

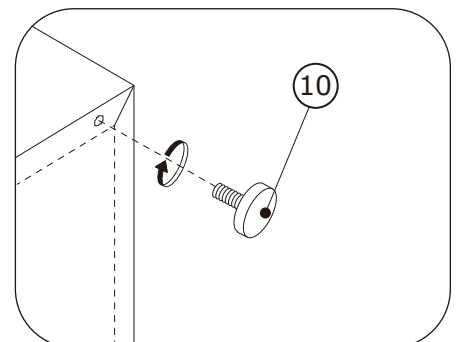
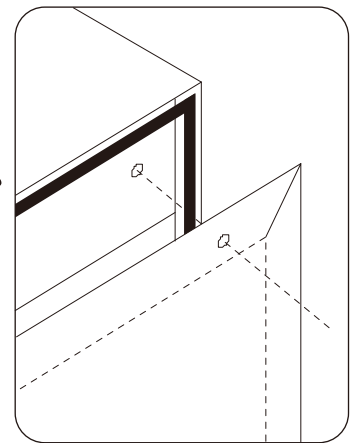
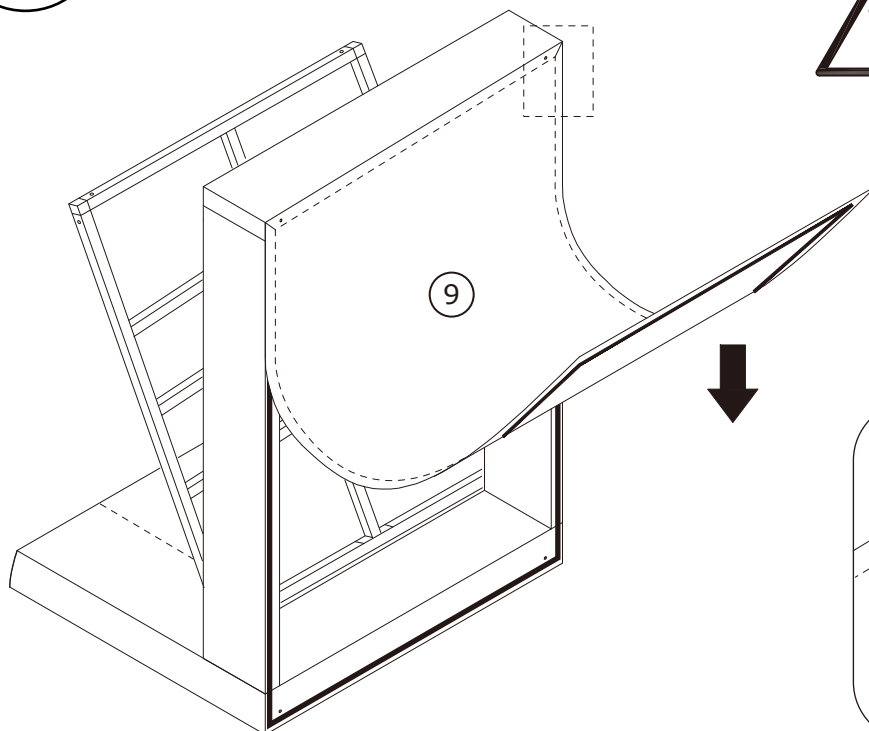
<p>L × 2</p>  <p>Corner Connector</p>	
--	--



11

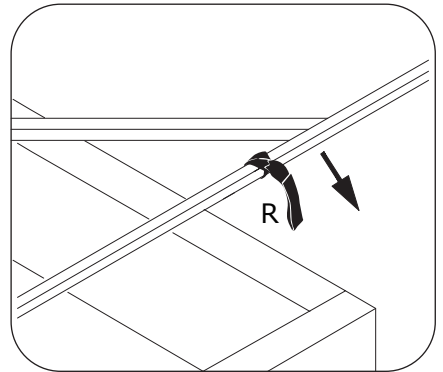
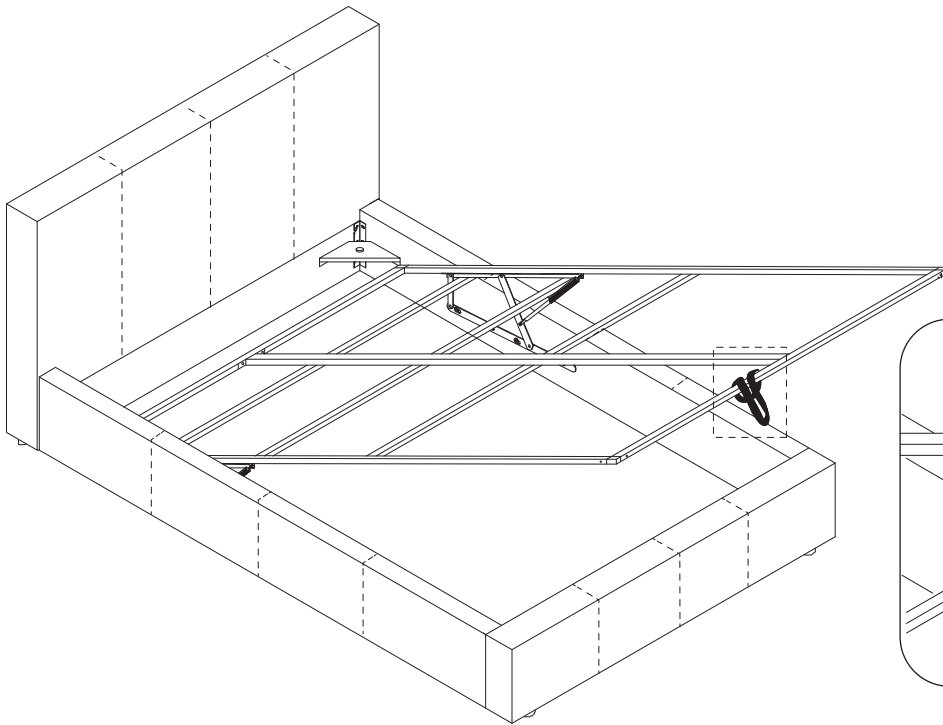


12


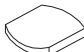


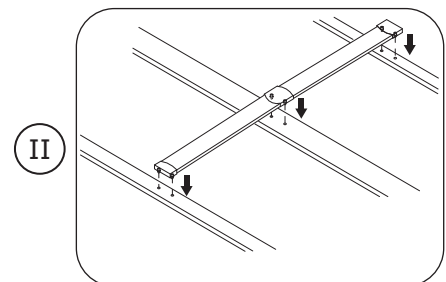
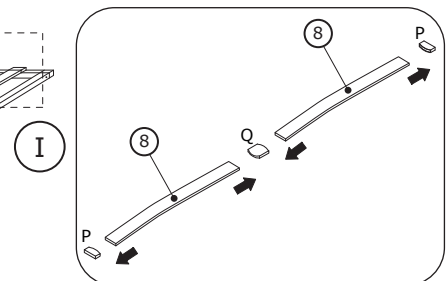
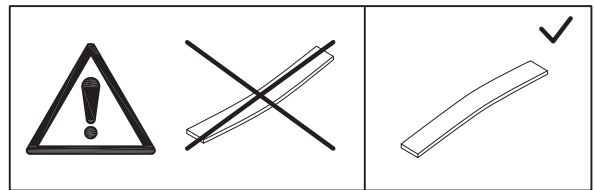
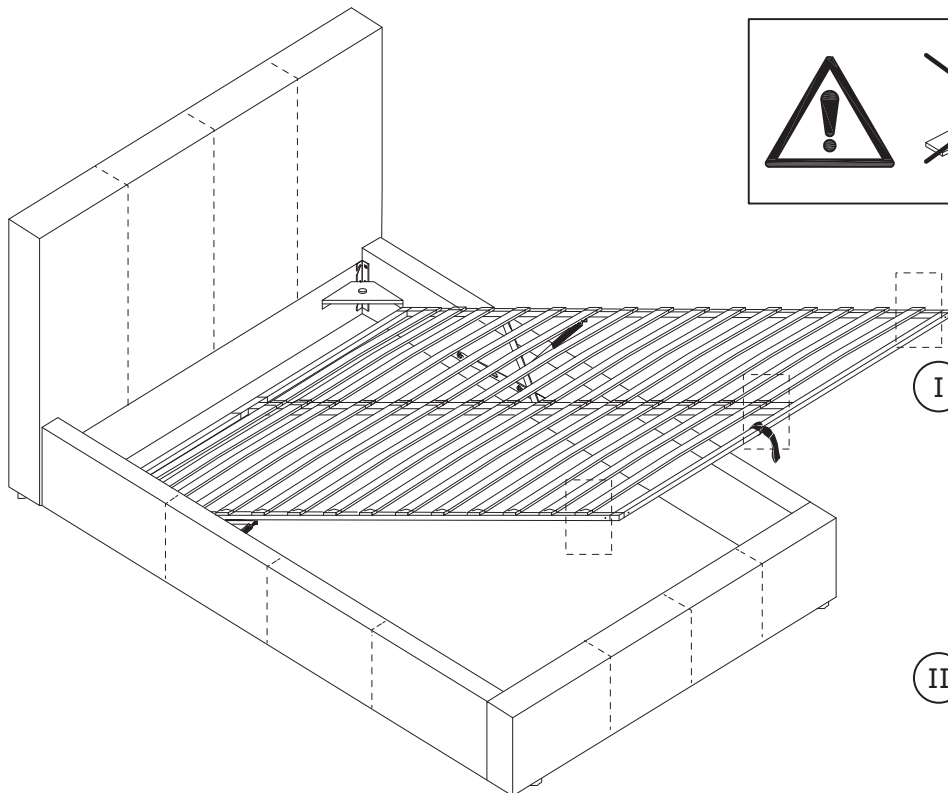
13

R × 1	
	
Belt	



14

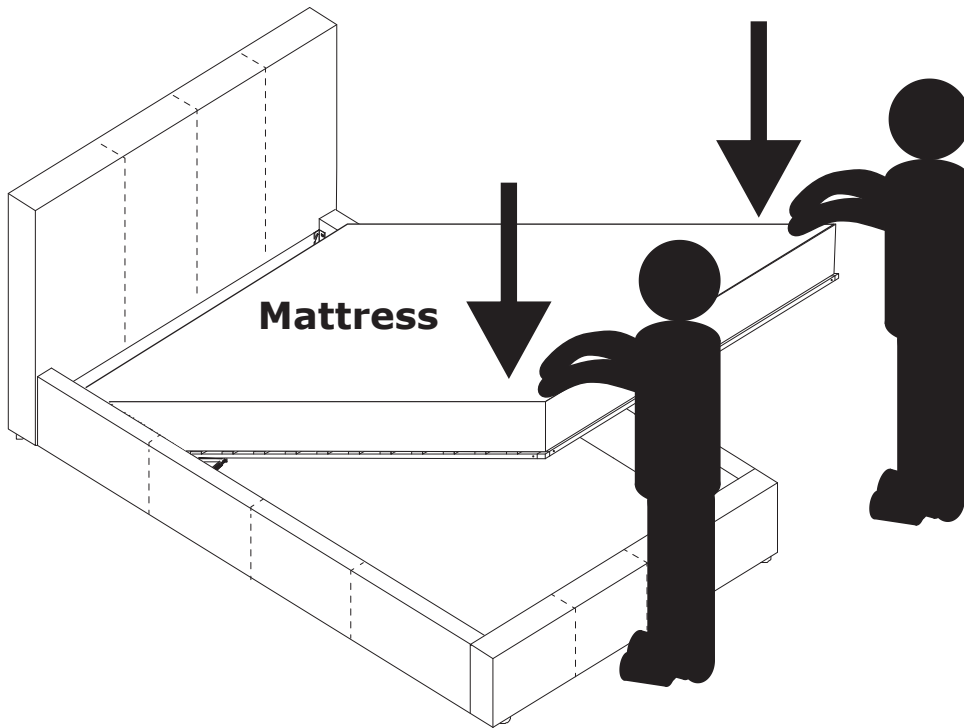
P × 26 (3ft Single/4ft Small/4ft6 Double) 30 (5ft Kingsize)	Q × 13 (3ft Single/4ft Small/4ft6 Double) 15 (5ft Kingsize)	
		
Side Plastic Cap	Central Plastic Cap	



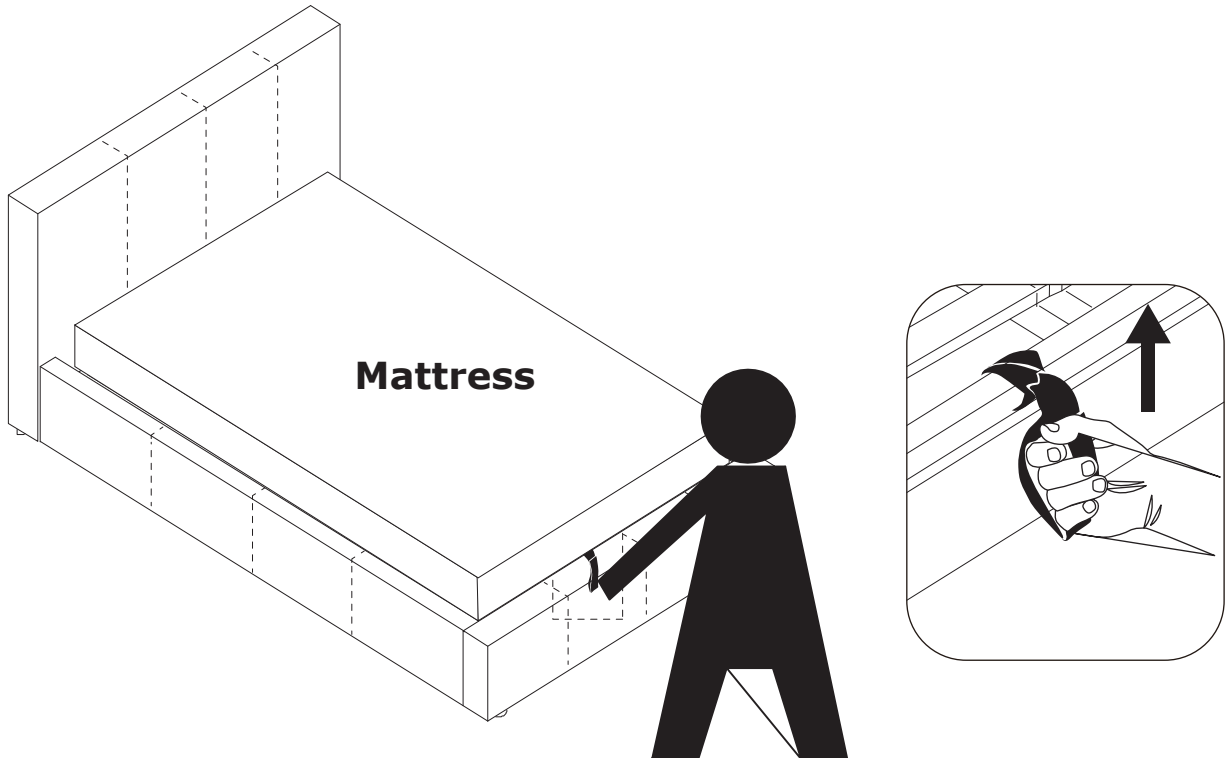
15

PISTON ACTIVATION - PUSHING FRAME DOWN

To break the safety seal on Piston, please place hands on top & push down FIRMLY from end of bed as shown in picture (2 person recommended for this step).



Pull the belt to open.



IMPORTANT NOTICE

OTTOMAN OPERATING INSTRUCTIONS

Once your bed frame is completely assembled the slat unit will not operate correctly unless a mattress is placed on the slat frame. Position the mattress on the slat frame whilst it is in the closed position.

Operate the cloth handle to open the ottoman. PLEASE NOTE - it takes a lot of force to make the initial movement of the ottoman. This is a design feature of the product so it does not fall shut - the nearer to being closed the ottoman is, the easier it is to move. When the ottoman is almost shut it will close completely under its own weight.

When lowering the slat unit for the first time, take care to make sure it does not rub unevenly on the inside frame. If this happens the screw feet will need to be adjusted for the frame to sit level.

PISTONS

The pistons used in the construction of this product are extremely strong and cannot be operated by hand when taken on the ottoman. All pistons are tested for correct pressure and operation before being attached to the slat unit.

Initially it might appear that the pistons are very stiff when opening and closing the ottoman - THIS IS PERFECTLY NORMAL.

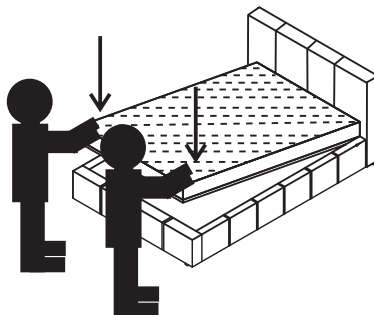
After operating the ottoman a few times, the movement of the pistons and the opening and closing of the ottoman will become easier.

ACTIVATING THE GAS LIFT PISTONS FOR THE FIRST TIME

The gas lift mechanism of this bed is pressurised and may be hard to use for the first time.

Please assemble the bed fully so the frame is in the open position. Place a mattress on top and push the frame down firmly at the center of the end of the bed (2 people may be required). It may feel like the frame is going to buckle but this is just air releasing from the pistons. Push the frame down fully until the bed is closed.

It is only necessary to follow this procedure once, the bed will operate easily from now on.



IMPORTANT NOTICE

OTTOMAN OPERATING INSTRUCTIONS

WARNING

For the safety of yourselves and others, please ensure that:

Only the handle is used when lifting and lowering the frame. Failure to comply with this warning may result in injury and finger entrapment.

The handle is attached and always left visible on the outside of the bedstead frame.

The metal frame is fully raised in the 'Up' position before using the ottoman space, otherwise the frame could fall causing injury.

Please keep children and pets away from the ottoman bedstead whilst opening and closing the slat frame to avoid injury.